

AIRSTREAM[®]

2025 Rangeline

Parts Book



TABLE OF CONTENTS

APPLIANCES	1
AIR CONDITIONER	1
GENERATOR.....	1
MICROWAVE AND COOKTOP	1
REFRIGERATOR	1
HYDRONIC FURNACE AND HOT WATER SYSTEM, ABOVE FLOOR.....	2
HYDRONIC FURNACE AND HOT WATER SYSTEM, BELOW FLOOR	3
EXTERIOR SHELL	5
EXTERIOR COMPONENTS	5
MEDALLIONS.....	7
TRIM, ACCESS PANEL.....	7
POP TOP	8
INTERIOR SHELL	9
SIDEWALL PANELS, PILLARS, AND CLOSEOUTS.....	9
INSULATION	11
HEADKNOCKER, SLIDING DOOR.....	11
FLOOR ASSEMBLY	12
CEILING PANELS.....	14
CHASSIS	16
CHASSIS PREP.....	16
RUNNING BOARDS	16
SKID BARS	16
LUG NUT COVERS	16
SUMO AND SUPER SPRINGS	17
HITCH.....	17
EXTERIOR DOORS	18
SLIDING DOOR COMPONENTS	18
SLIDING SCREEN DOOR	19
REAR DOOR COMPONENTS.....	20
SCREEN AND PANEL FRAME, REAR DOOR	21
WINDOWS	22
WINDOWS.....	22
AWNINGS	23
AWNING	23
WINDOW COVERINGS	24
WINDOW COVERINGS.....	24
ELECTRICAL, 110 VOLT	25
POWER CENTER.....	25

INVERTER/CHARGER.....	25
SHORELINE HOOKUP.....	25
RECEPTACLES AND USB PORTS.....	25
BREAKERS, 110V.....	25
ELECTRICAL, 12 VOLT.....	26
BATTERY	26
BREAKERS & FUSES, 12V	26
CHASSIS & HOUSE CHARGING	27
CHARGER, CELLPHONE	27
CABLE KITS, MAIN 12VDC.....	27
TANK SENSORS.....	27
TANK HEATERS.....	27
SWITCHES.....	27
INTERIOR LIGHTS.....	28
EXTERIOR LIGHTS.....	28
SOLAR SYSTEM.....	28
BUZZER, ELECTRIC.....	28
FIREFLY SYSTEM.....	29
ENTERTAINMENT	30
AUDIO.....	30
VIDEO.....	30
AIRSTREAM CONNECTED	30
FLOOR COVERINGS.....	31
FLOOR COVERING	31
FURNITURE, LAVATORY.....	32
WETBATH MODULE.....	32
FURNITURE, GALLEY.....	34
GALLEY CABINET.....	34
CUBBY, GALLEY WALL.....	37
ROOF LOCKER, GALLEY.....	38
REFRIGERATOR AND MICROWAVE CABINET.....	40
PET FOOD STATION	42
FURNITURE, LOUNGE	43
BENCH SEAT AND ENCLOSURE	43
DINETTE TABLE.....	45
DINETTE WALL.....	46
ROOF LOCKER, DINETTE	47
FURNITURE, BED	49
PANTRY.....	49
BED BASE, ROADSIDE	51
BED BASE, CURBSIDE.....	53
ROOF LOCKER, ROADSIDE BED.....	55
ROOF LOCKER, CURBSIDE BED.....	57

HARDWARE	59
BATH ACCESSORIES	59
SHOWER DOOR	59
HINGES	60
DRAWER SLIDES.....	60
INTERIOR HANDLES, LATCHES, AND FASTENERS.....	61
RIVETS.....	62
SAFETY EQUIPMENT.....	63
SMOKE AND CARBON MONOXIDE DETECTOR	63
FIRE EXTINGUISHER	63
LABELS AND TAGS	64
LABELS AND TAGS	64
PLUMBING, FRESH WATER SYSTEM	65
FAUCET AND SINK, GALLEY	65
FAUCET AND SHOWER HEAD, WET BATH	65
EXTERIOR HOSE, SPRAYER PORT	65
CITY WATER HOOK-UP	65
FRESH WATER TANK AND WATER FILL	65
WATER ACCESS PANEL.....	66
WASTE TANK FLUSH.....	67
FRESH WATER LINES.....	68
PLUMBING, DRAIN SYSTEM.....	69
HOLDING TANKS.....	69
SEWER HOSE, CARRIER	70
WASTE DRAIN PLUMBING, DUMP VALVE	71
DRAIN SYSTEM, GALLEY SIDE	72
DRAIN SYSTEM, SHOWER SIDE.....	74
TOILET	76
SEALERS AND GASKETS	77
SEALERS	77
GASKETS	77
BEDDING, PILLOWS	78
MATTRESSES, BED	78
UPHOLSTERY.....	79
FRONT SEAT CLOSEOUTS	79
CAPTAIN’S CHAIRS, CABIN	79
BENCH SEAT	79
DECOR BOARDS	80
DÉCOR BOARD, ADMIRAL NAVY	80
DÉCOR BOARD, MOONSTONE GRAY	81
VENTS AND FANS	82

VENT, WASTE TANK82
EXHAUST FAN, BATH82
CEILING VENT FAN83
CEILING VENT FAN, POP TOP83

PANELING, EDGEBANDING, LAUAN84

PANELING.....84
EDGEBANDING84
LAUAN.....84
PLYWOOD84

TRIMS AND TOUCH-UP85

TRIM85
TOUCH-UP.....85

APPLIANCES

Air Conditioner

690795	Air conditioner, Coleman Mach 10, 13,500BTU
690708-101	Air Filter, Coleman Mach 10
690795-01	Ceiling assembly, Black
690795-02	Control base, A/C, Multiplex
455916-01	Bracket, A/C, RS
455916-02	Bracket, A/C, CS
455916-03	Bracket, A/C, Center
12372W	Easy start, Micro-Air (Previously 514032)
690380-08	Sensor Cable, 20', Dual Air Only

Generator

113807	Install, Generator (note for order/see parts below)
514504	Generator, Onan, Gas
382853	Fuel Line Clip, Mopar
455887	Exhaust Pipe, Generator
455600	Exhaust Tip, Generator, Stainless
455802	Clamp, Tailpipe, Exhaust
381509	Hanger, Tailpipe, Universal Swivel
602902	Fuel Hose, 1/4" ID
510857-04	Conduit, Flex, 1/2"
514171	Electrical box, Single gang
511260	Cover, Electrical box, Weatherproof, Single Gan
455880	Top Bracket, Generator, RS
455881	Top Bracket, Generator, CS
455884	Bracket, Generator, Flat Plate
455890	Side Bracket, Generator, RS
455891	Side Bracket, Generator, CS
514142-29	Label, Firefly AGS Warning

Microwave and Cooktop

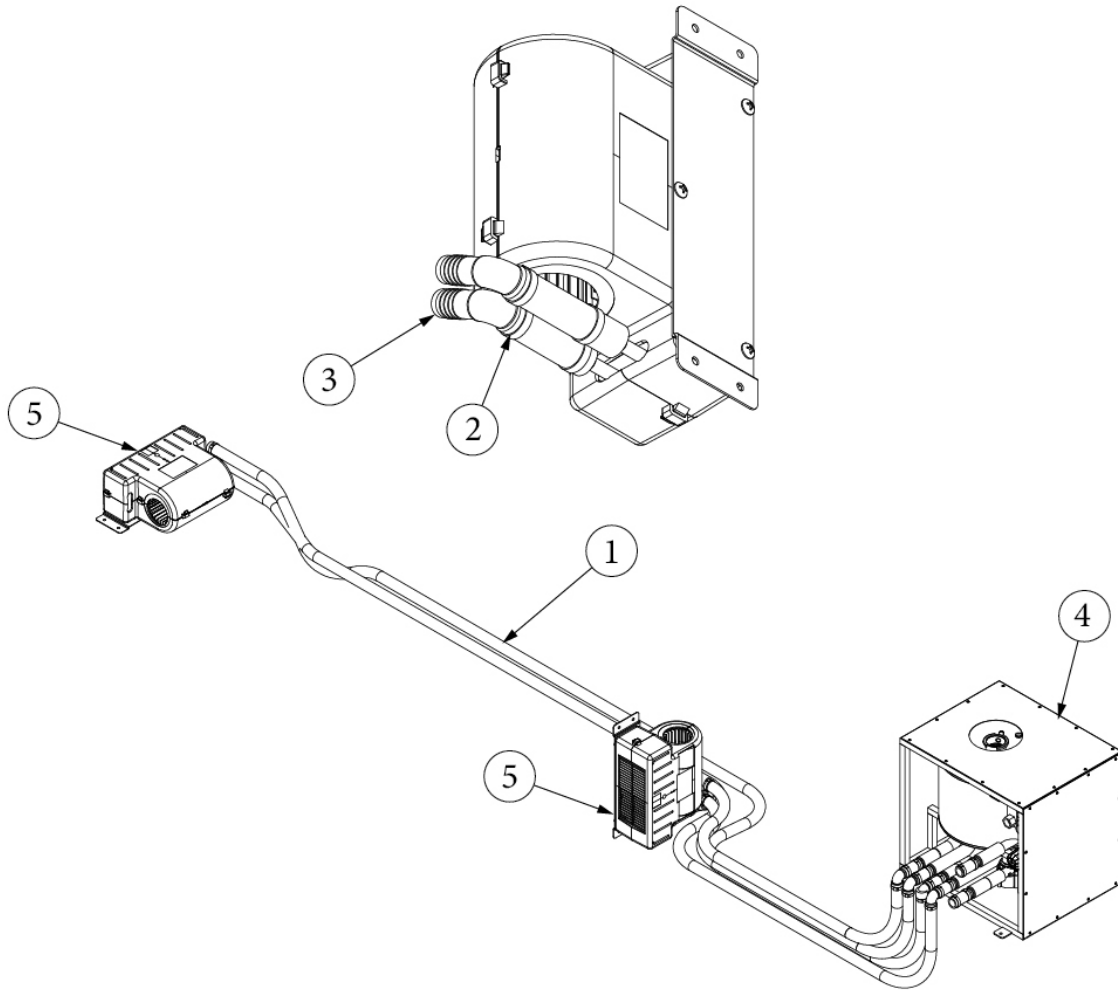
690648-02	Microwave, Contour, RV 787S
690648-04	Trim Kit, Bezel, Microwave, For 690648-02
514023	Cooktop, Induction, Single burner, 1000W

Refrigerator

690792	Refrigerator, Vitrifigo, 3.2 CF
116458	Aluminum closeout, cabinet
116167-01	Sheet aluminum, .023 x 30 x 160"
204398	Mesh, Stretchable Plastic

APPLIANCES

Hydronic Furnace and Hot Water System, Above Floor



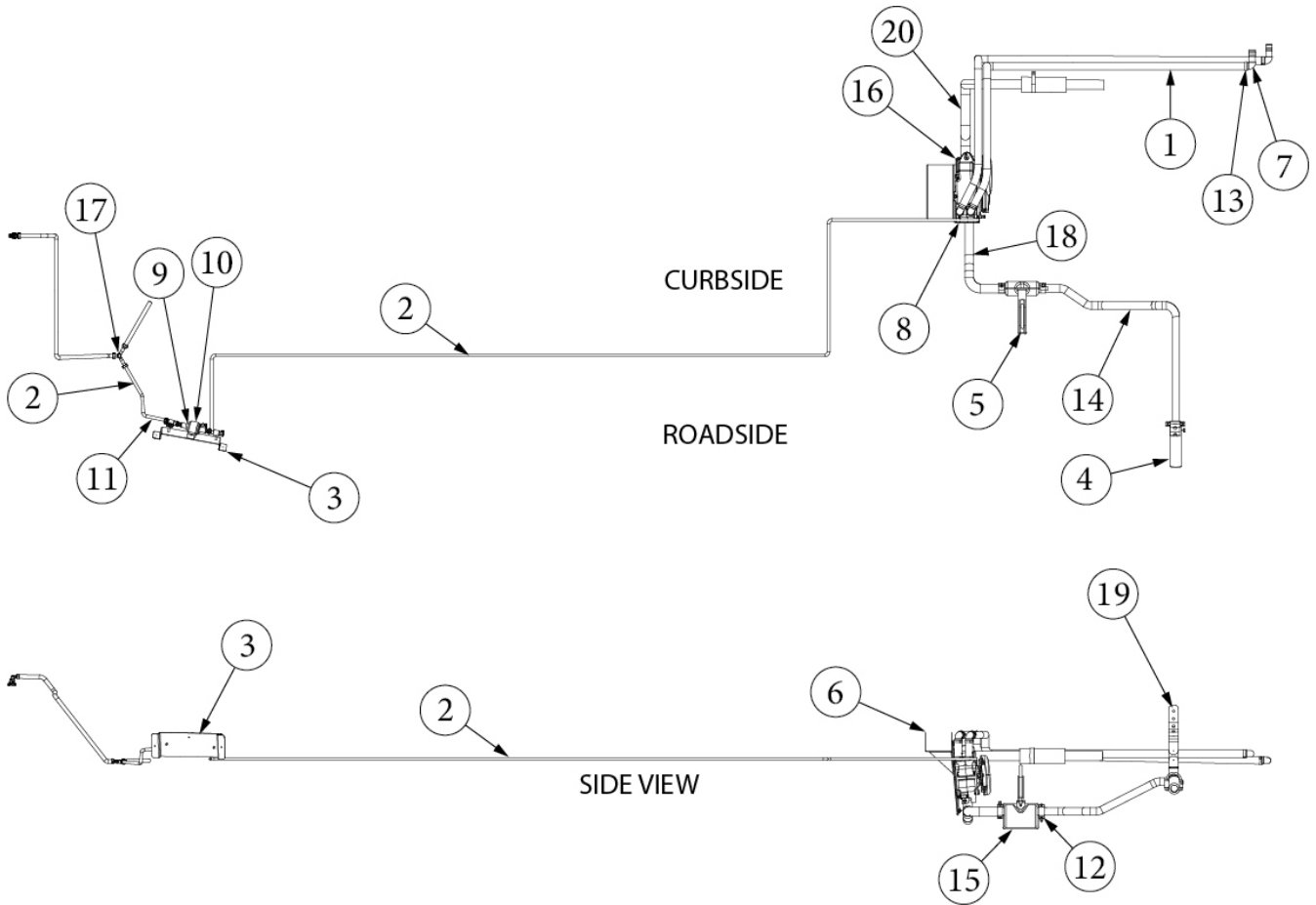
113989

Install, Heating System (note for order/see parts below)

- | | |
|--------------|------------------------------------|
| 1. 602854 | Hose, Heater, .75" |
| 2. 690797-13 | Hose Spring Clamp, 27mm |
| 3. 602913 | Elbow, 90-Degree, For 3/4" Hose |
| 4. 690797-01 | Module, Timberline 2.0 |
| 5. 690797-22 | Air Handler, Timberline |
| 690797-19 | Control Panel, Display, Timberline |
| 690797-10 | Sensor, Temperature, Elwell |
| 690797-11 | Cover, Sensor, Elwell |

APPLIANCES

Hydronic Furnace and Hot Water System, Below Floor



Parts Listed on Next Page

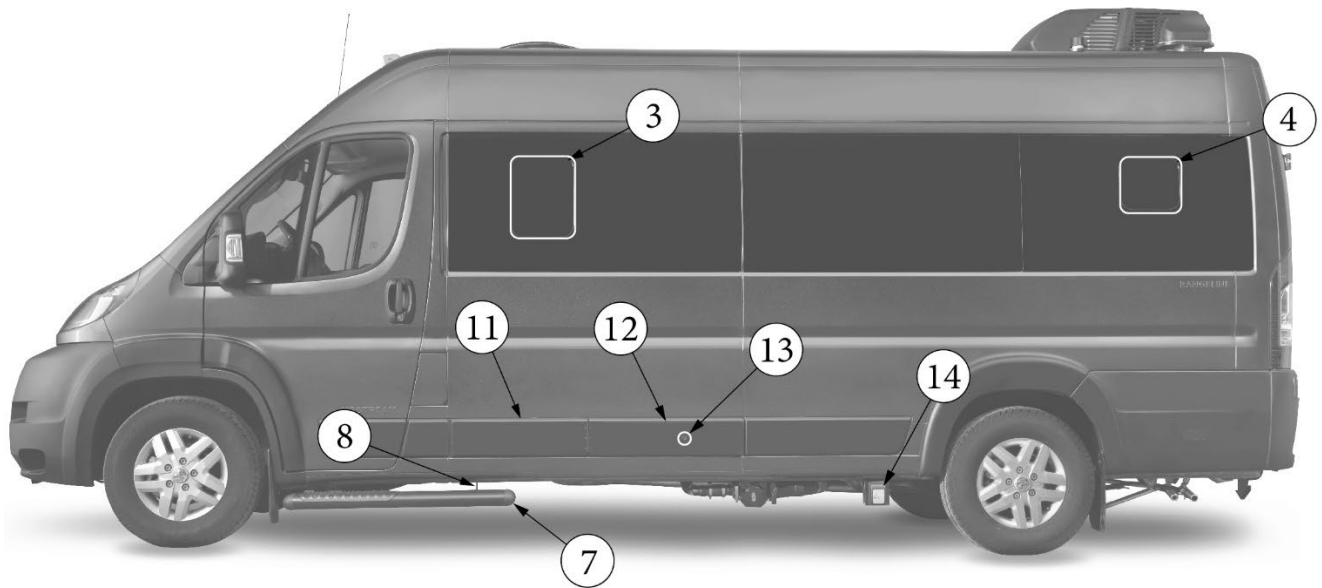
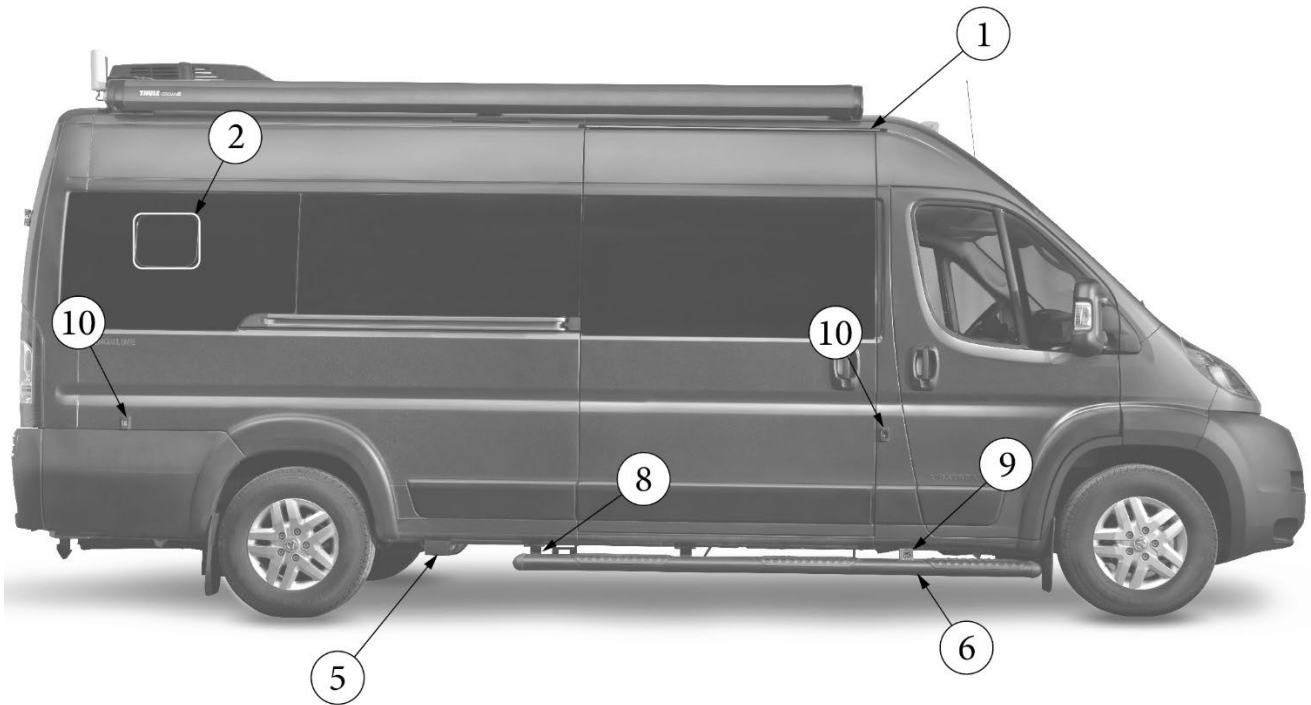
APPLIANCES

Hydronic Furnace and Hot Water System, Below Floor

113926	Install, Heating System (note for order/see parts below)
1. 602854	Hose, Heater, .75"
2. 690797-08	Fuel Line, 19.5' Roll
3. 383030	Fuel Pump Bracket
4. 455600	Exhaust Tip, Stainless
5. 455733	Bracket, Muffler
6. 455914	Bracket, Elwell Burner
7. 602913	Elbow, 90-Degree, For 3/4" Hose
8. 690797-03	Heater, Gasoline, Binar 5B
9. 690797-05	Fuel Pump, Gasoline, Binar 5
10. 690797-07	Bracket Fuel Pump
11. 690797-09	Fuel Line Adapter
12. 690797-12	Exhaust Clamp, 24mm
13. 690797-13	Hose Spring Clamp, 27mm
14. 690797-14	Exhaust Tubing, 24mm, 1m length
15. 690797-15	Exhaust Muffler, 24mm
16. 690797-18	Compact Bracket, Autoterm, Slotted
17. 690797-32	Y-Split Fuel line adapter, 1/4
18. 690797-40	Exhaust Tubing, 24mm -.5m length
19. 381509	Hanger, Tailpipe, Universal swivel
20. 690797-16	Air Intake, Timberline
340073-17	Clamp, Muffler, 1.25"
340073-16	Clamp, Muffler, 2.5"
340085-11	Clamp, Loop, Steel W/Rubber, 2"
340084-20	Clamp, Hose, .81 x 1.75"
382859	Clamp, Loop D, W/ Rubber, .5"
602934	Pinch Clamp, Stainless, 1/2" to 37/64"

EXTERIOR SHELL

Exterior Components



Parts Listed on Next Page

EXTERIOR SHELL

Exterior Components

923569S	Layout, Shell (note for order/see parts below)
1. 514028	Light, Sliding Door
2. 372326	Window, CS Rear
3. 372328	Window, RS Front
4. 372325	Window, RS Rear
5. 514171	Electrical box, Waterproof, Single Gang, Grey
514067	Outlet cover, W/Gasket, Black
6. 455885	Running board, CS
7. 455886	Running board, RS
8. 455892	Bracket kit, Running boards
9. 116407	Bracket, Dog Tie out
10. 704993-03	Bracket, Clamp, Awning
11. 113903-1	Side trim, Front
12. 113903-2	Side trim, Door, Rear
13. 382883	Knob, Fluted Grip, Black, #10-32 x .75"
14. 513797-01	Inlet, Smart plug box

EXTERIOR SHELL

Medallions

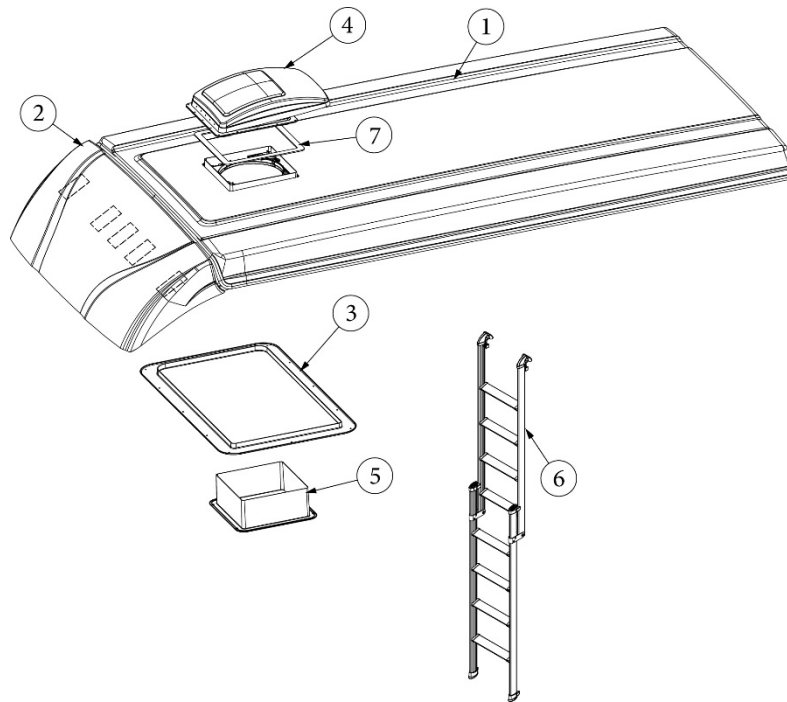
386582 Badge, Logo, Airstream
386583 Badge, Logo, Rangeline

Trim, Access Panel

113903-1 Side trim, Front, Water Access Panel
113903-2 Side trim, Door, Rear, Water Access Panel
381951-01 Hinge, Formed, Piano, Water Access Panel, 5.5"
350285 Snap in Nut, #10-32
300243 Washer, Nylon, Black, #10
382883 Knob, Fluted Grip, #10-32 x. 75"
382882 Assembly, Lanyard/Magnet, Water Access Panel
455956 Handle, Magnet Pull, Water Access Panel
340325 Round Push Nut, #10, Black
204343 Lanyard Retainer, Abs Plastic, Water Access Panel
455966 Bracket, Retainer, Water Access Panel

EXTERIOR SHELL

Pop Top



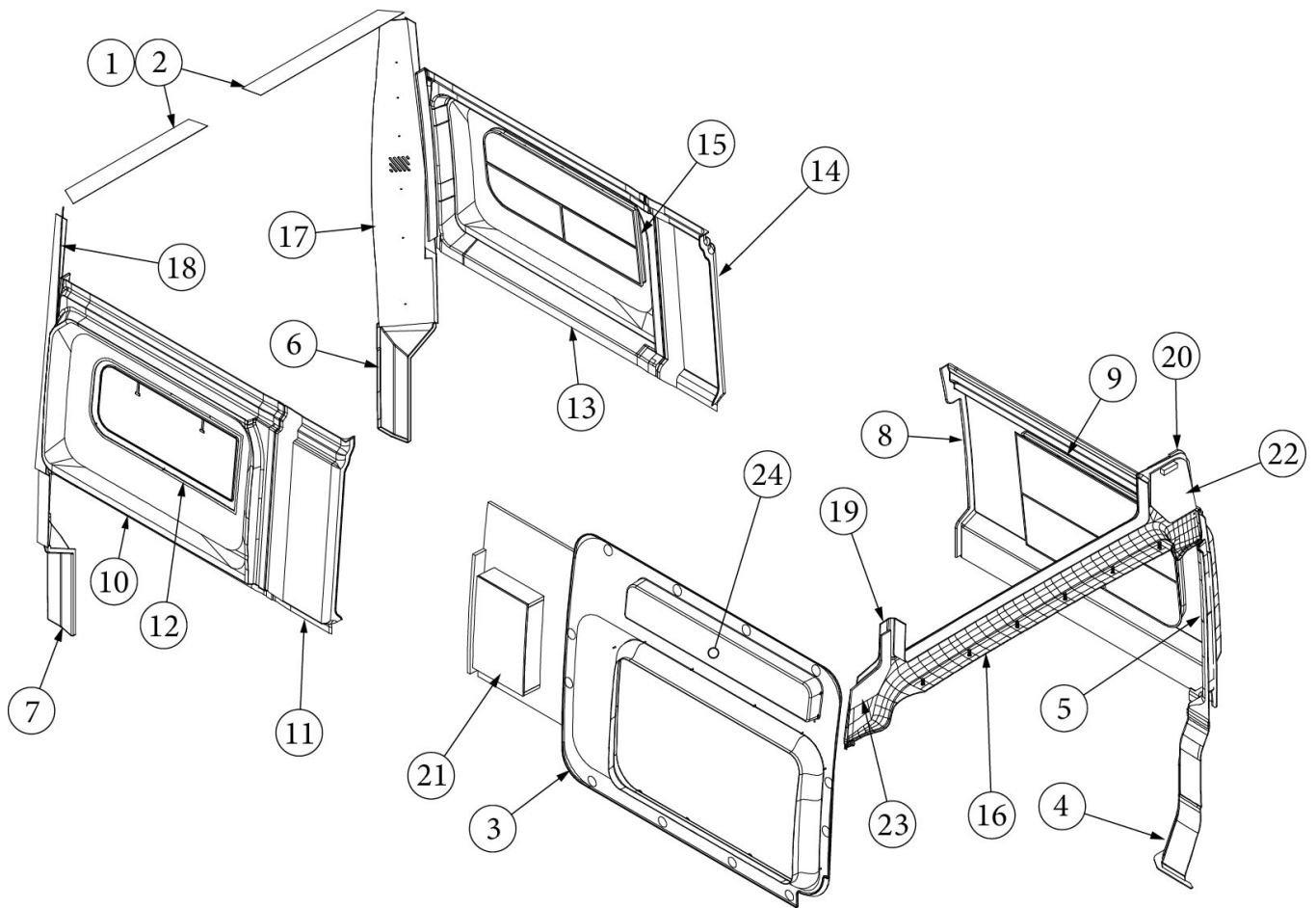
135146

Install, Pop Top (note for order/see parts below)

- | | |
|--------------|--|
| 1. 204381-05 | Pop Top, Painted |
| 2. 204381-09 | Fairing, Painted |
| 3. 204338 | Trim ring, Pop top |
| 4. 382730 | Vent, Maxxair, 6401K |
| 5. 382730-01 | Shroud, Vent, Maxxair, Black |
| 6. 204381-03 | Ladder, Pop Top access |
| 7. 382467 | Gasket, fan |
| 705027-01 | Wrap, Ladder, Black Vinyl |
| 705077 | Cable Tie, Hook-Loop, Ladder Wrap |
| 705010 | Mattress, Pop Top, 74 X 52.5" |
| 204381-0100 | Gas Prop (Spring) For Pop Top |
| 204381-0101 | Lower Shell Harness, Includes 1 USB & 1 Switch |
| 204381-0102 | Headliner Pop Top, Claddin Panel, MIDI HEKI |
| 204381-0102C | Plastic Clip for Headliner |
| 204381-0103 | Bed-lift Seal, Upper 328" (8.5 Meters) |
| 204381-0104 | Bed-lift Seal, Lower 345" |
| 365413 | Tape, Moisture Barrier 4"X60yd |

INTERIOR SHELL

Sidewall Panels, Pillars, and Closeouts



Parts Listed on Next Page

INTERIOR SHELL

Sidewall Panels, Pillars, and Closeouts

135061-01	Install, Sidewall Panels (note for order/see parts below)
1. 116462-01	Aluminum Closeout, Rear door, RS
2. 116462-02	Aluminum Closeout, Rear door, CS
3. 204307-01	Panel, Sliding Door, Upper, with cubby
4. 204315-01	Interior Panel, B Pillar, RS Lower
5. 204315-02	Interior Panel, B Pillar, RS Upper
6. 204315-03	Interior Panel, D Pillar, RS Lower
7. 204315-04	Interior Panel, D Pillar, CS Lower
8. 204315-05	Interior Panel, RS Forward Window
9. 204315-06	Interior Panel, RS Forward Frame
10. 204318-01	Interior Panel, CS Rear Window, Black
11. 204318-02	Interior Panel, CS Rear Spacer, Black
12. 204318-03	Interior Panel, CS Rear Frame, Black
13. 204318-04	Interior Panel, RS Rear Window, Black
14. 204318-05	Interior Panel, RS Rear Spacer, Black
15. 204318-06	Interior Panel, RS Rear Frame, Black
16. 204330-01	Cover, Front Overhead Shelf Cover, Pop-Top
17. 204341	Closeout, D-pillar, Upper, RS
18. 204342	Closeout, D-pillar, Upper, CS
19. 969960-03	Closeout, Cab Shelf, CS, Pop-Top
20. 969960-04	Closeout, Cab Shelf, CS, Pop-Top
21. 969962	Assembly, Cubby, Galley Wall
22. 969963-05	Cab Shelf Backer, RS, Pop-Top
23. 969963-06	Cab Shelf Backer, CS, Pop-Top
24. 705052	Cargo Net, 6" x 35.5"
382992	Xmas tree, Large round head, .281 x 1.2"
704854	Carpet, Black, PSA W/ Liner, for Aluminum Closeouts
704075	Fastener, 3M, Dual lock, 1" x 50 yard
382789	Vel-washer, 7/8"
330011	Rivet, Blind, Black, AD48ABS

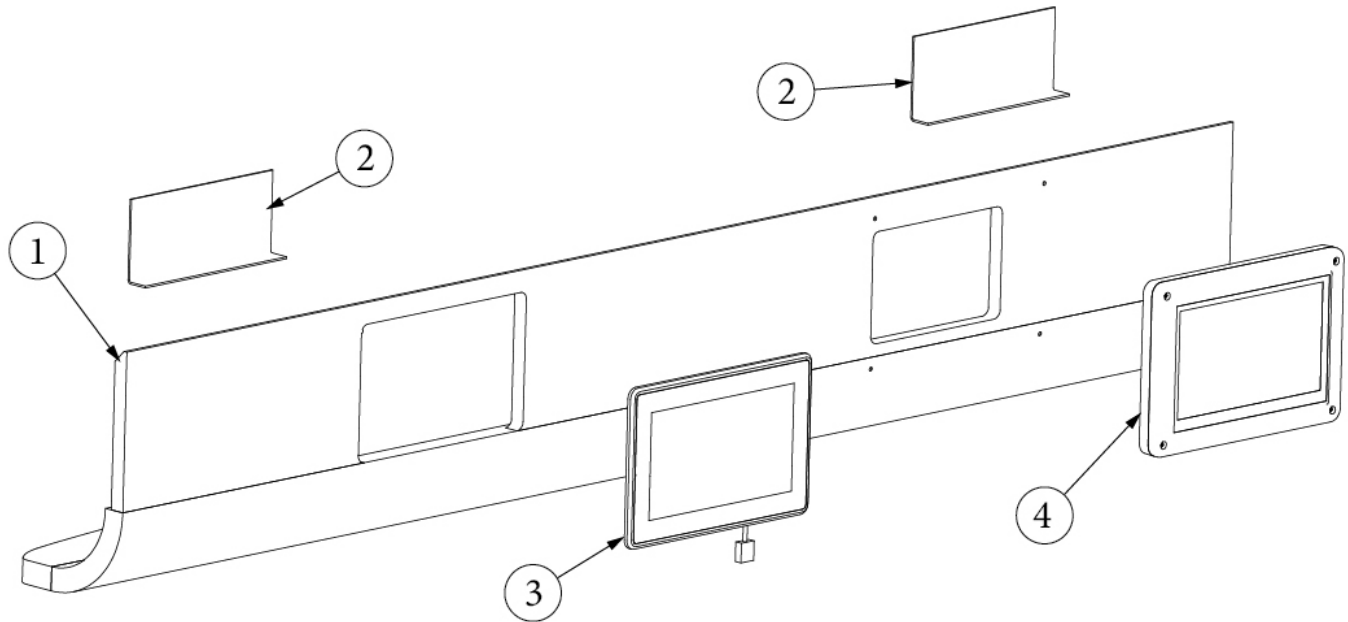
INTERIOR SHELL

Insulation

204333

Insulation, Mascoat, 5 gallon

Headknocker, Sliding Door



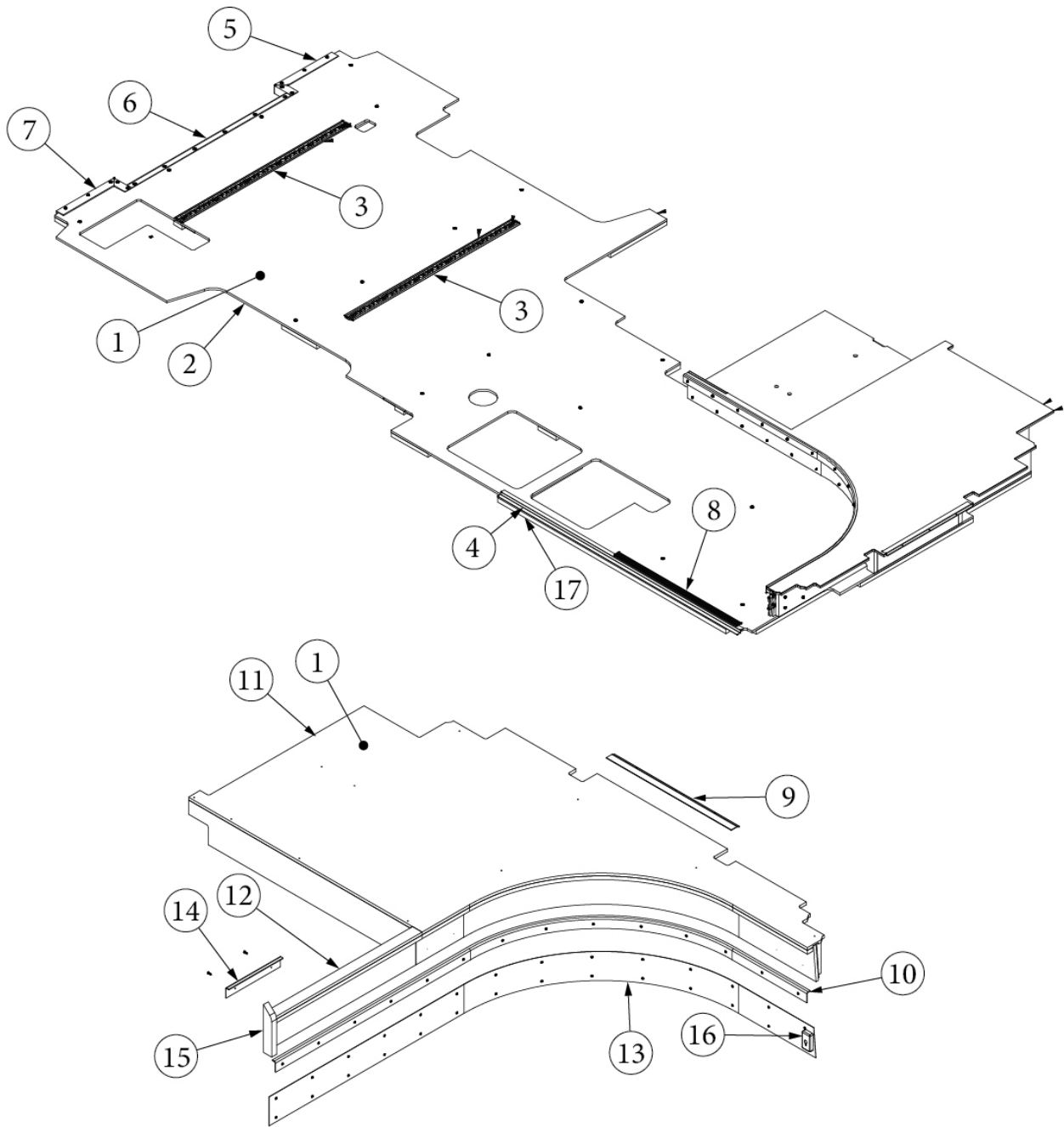
135088

Install, Headknocker (note for order/see parts below)

- | | |
|--------------|---|
| 1. 969958 | Headknocker assembly |
| 2. 116457 | Bracket, Aluminum, .75 x 2.63 x 6" |
| 3. 514142-02 | Color Touchscreen, Lyra 7" |
| 4. 690797-19 | Control Panel, Display, Timberline |
| 514127 | Buzzer, Electric, Low current sonic, Slow pulse |
| 382884 | Bracket, Electric Buzzer |
| 320158 | Screw, #8-18 x .75", Self-Tapping |
| 365488 | Tape, 3M, Double Sided 3/8" |
| 320116-14 | Screw, Sheet metal, Control panels, #8, 2" |
| 091188-C | Vinyl cover, Matte black |

INTERIOR SHELL

Floor Assembly



Parts Listed on Next Page

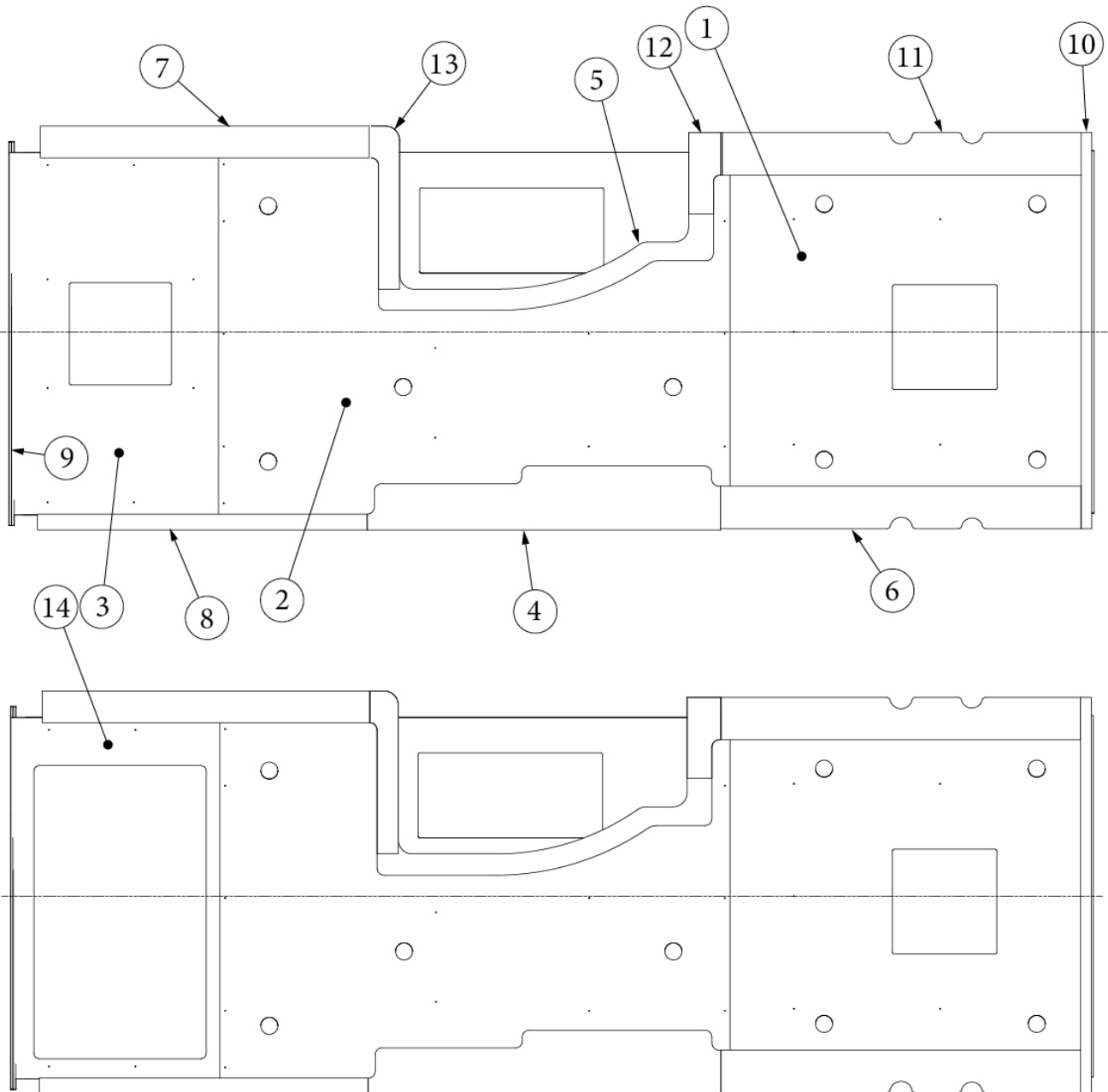
INTERIOR SHELL

Floor Assembly

135049	Install, Floor (note for order/see parts below)
113897	Install, Floor Riser (note for order/see parts below)
1. 704593-01	Vinyl flooring, Woven, Frosted Mink
2. 970479	Floor, Routed, Front
970478	Floor, Routed, Rear
3. 116447	Cargo track, Recessed
4. 455936	Cover, Entry step, 1.94 x 53"
5. 455947-01	Cover, Rear floor transition, RS
6. 455947-02	Cover, Rear floor transition, Center
7. 455947-03	Cover, Rear floor transition, CS
8. 382885	Threshold, 1-1/4 x 36"
9. 382524	Carpet bar, Black anodized, 12'
10. 116438	Trim, Step riser
11. 923617	Floor riser, Gelcoat FRP, .38 x 34.19 x 66.88"
12. 923617-01	Floor riser, Extension, Gelcoat, .38 x 1.44 x 22.38"
13. 116424	Kick plate, Aluminum
14. 116438-1	Trim, Step riser, Short
15. 969806&001818FF	Pre Laminate, .75 x 1.25 x 6.5"
16. 513737-01	Sensor, PIR LED Light ring, Black
17. 204313	Spacer, Screen door support
514128	Light, LED strip
802280	Ply, Bendable, .38" x 8' x 4' Barrel
801351	Lite Ply, 18mm x 4'x 8'
114880-06	Sheet Aluminum, .04 x 51 x 152.5"

INTERIOR SHELL

Ceiling Panels



Parts Listed on Next Page

INTERIOR SHELL

Ceiling Panels

135022	Install, Ceiling Panels (note for order/see parts below)
135022-01	Install, Ceiling Panels, Pop Top (note for order/see parts below)
1. 923623-05-1	Aluminum Panel, Rear
2. 923623-05-3	Aluminum Panel, Mid
3. 923623-05-2	Aluminum Panel, Forward
4. 923625	Ceiling Pad, Galley, Refer
5. 923626	Ceiling Pad, Shower, Bath
6. 923627-1	Ceiling Pad, Rear Roof Lockers
7. 923628	Ceiling Pad, Dinette Roof Locker
8. 923629	Ceiling Pad, Doorway
9. 114070	Extrusion, J-Trim, Aluminum
10. 923663	Ceiling Pad, Rear Wall
11. 923627-3	Ceiling Pad, Rear R/L, RS
12. 923673	Ceiling Pad, Shower Forward
13. 923674	Ceiling Pad, Shower Rear
14. 923623-04	Alum Panel, Forward, (Pop Top Only)
114880-02	Aluminum Sheet, .04 x 51 x 284.5"
802233	Panel, Azdel, Composite, 2.7mm 4 x 8'
800507-02	Lauan, 1/4" x 4' x 8'
091188-C	Vinyl cover, Matte black
360282-04	Glue, L10n-155, Clear, 155# Canis
705014-02	Fabric, Ceiling Pad, with foam, Leon ebony vinyl

CHASSIS

Chassis Prep

923574	Install, Floor Prep (note for order/see parts below)
382888	Gasket, Pass thru cover
360340	Undercoat, Epoxy primer
512412	Bushing, Snap-in, .75"

Running Boards

113836	Install, Running Boards (note for order/see parts below)
455885	Running board, CS
455886	Running board, RS
455892	Bracket kit, Running boards
116407	Bracket, Dog Tie out
320254	Screw, 1/4-20 x1 .25"
300111-25	Washer, Flat, 1/4"
345377	Nut, Nylon Lock, 1/4-20

Skid Bars

135004	Install, Skidbars (note for order/see parts below)
455992	Straight Skid Bar
345818	Bol, 9/16-12 x 1.5, HHC-YZ-GR8
300240	Washer, 9/16" Steel Washer, Grade 9

Lug Nut Covers

386617	Cover, Lug Nut, Black
386617-01	Cover, Lug Nut, Chrome
386617-02	Removal Tool, Lug Nut Cover

CHASSIS

Sumo and Super Springs

135197 Install, Sumo Springs, Rear (note for order/see parts below)

135201 Install, Super Springs (note for order/see parts below)

411231 Sumo Spring, Yellow, Rear

411235 Sumo Spring, Front

411233 Super Springs

Hitch

411258-01 Hitch

411258-02 Hitch Support, RS

411258-03 Hitch Support, CS

411258-04 Hitch Harness

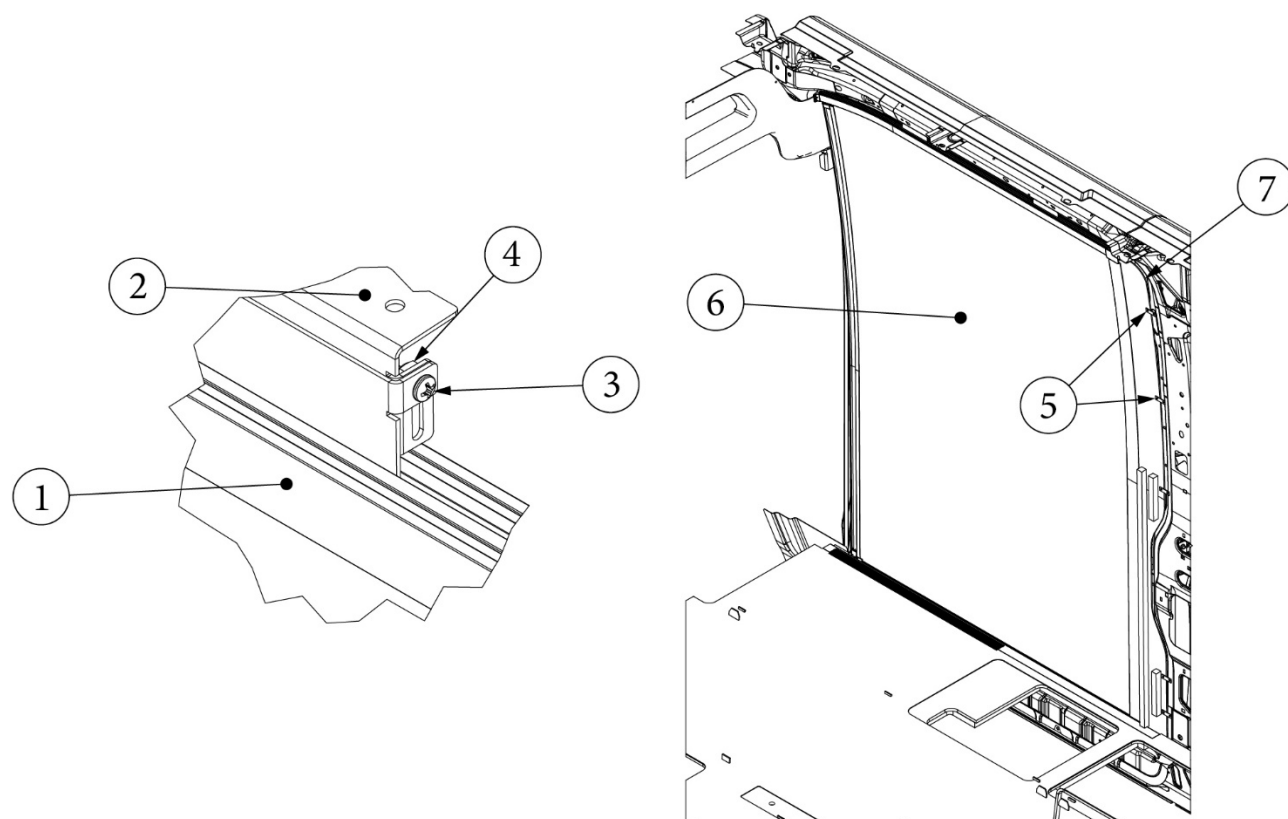
EXTERIOR DOORS

Sliding Door Components

204307-01	Panel, Sliding Door, Upper, Black
514028	Light, Sliding Door
969958	Assembly, Headknocker
705052	Cargo Net, Sliding Door
514127	Buzzer, Electric, Low current sonic, Slow pulse
320116-14	Screw, Sheet metal, Control panels, #8, 2"
091188-C	Vinyl cover, Matte black
382789	Vel Washer

EXTERIOR DOORS

Sliding Screen Door



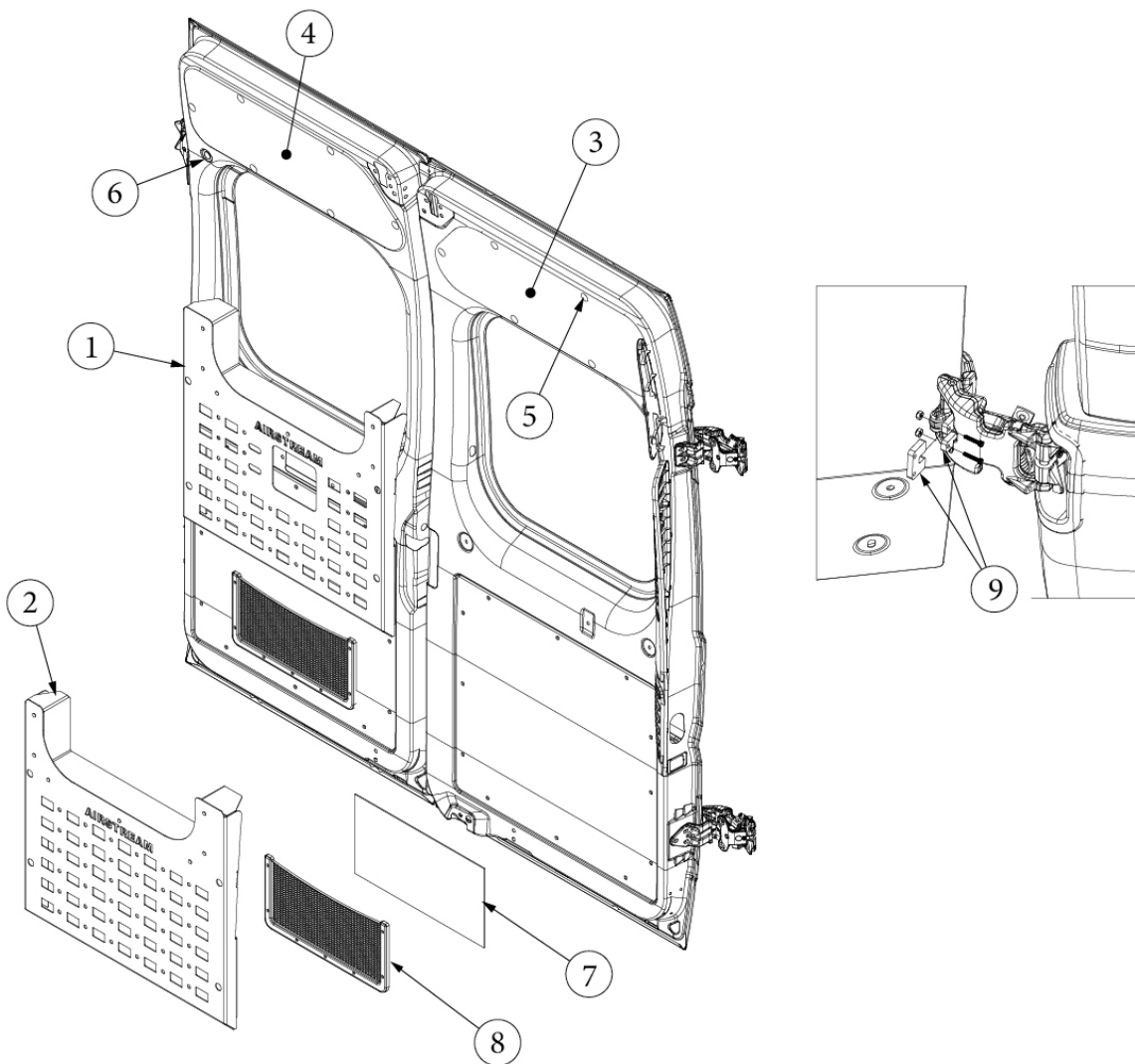
113921

Install, Sliding Screen Door (note for order/see parts below)

- | | |
|-------------|--|
| 1. 116433-1 | Bracket, Screen Door, #1 |
| 2. 116433-2 | Bracket, Screen Door, #2 |
| 3. 345614 | Screw, #6-32 x .625, Pan |
| 4. 350175 | Locknut, Stainless, Nylon Insert #6-32 |
| 5. 382691 | Bracket, Flat Surface, .5" x 1.5" |
| 6. 704990 | Screen Door, Sliding |
| 7. 365458 | Rubber Seal, 5/8" x 3/8", w/PSA |
| 204313 | Space, Screen door support |
| 386311 | Label, Screen door warning |

EXTERIOR DOORS

Rear Door Components



135048
113839

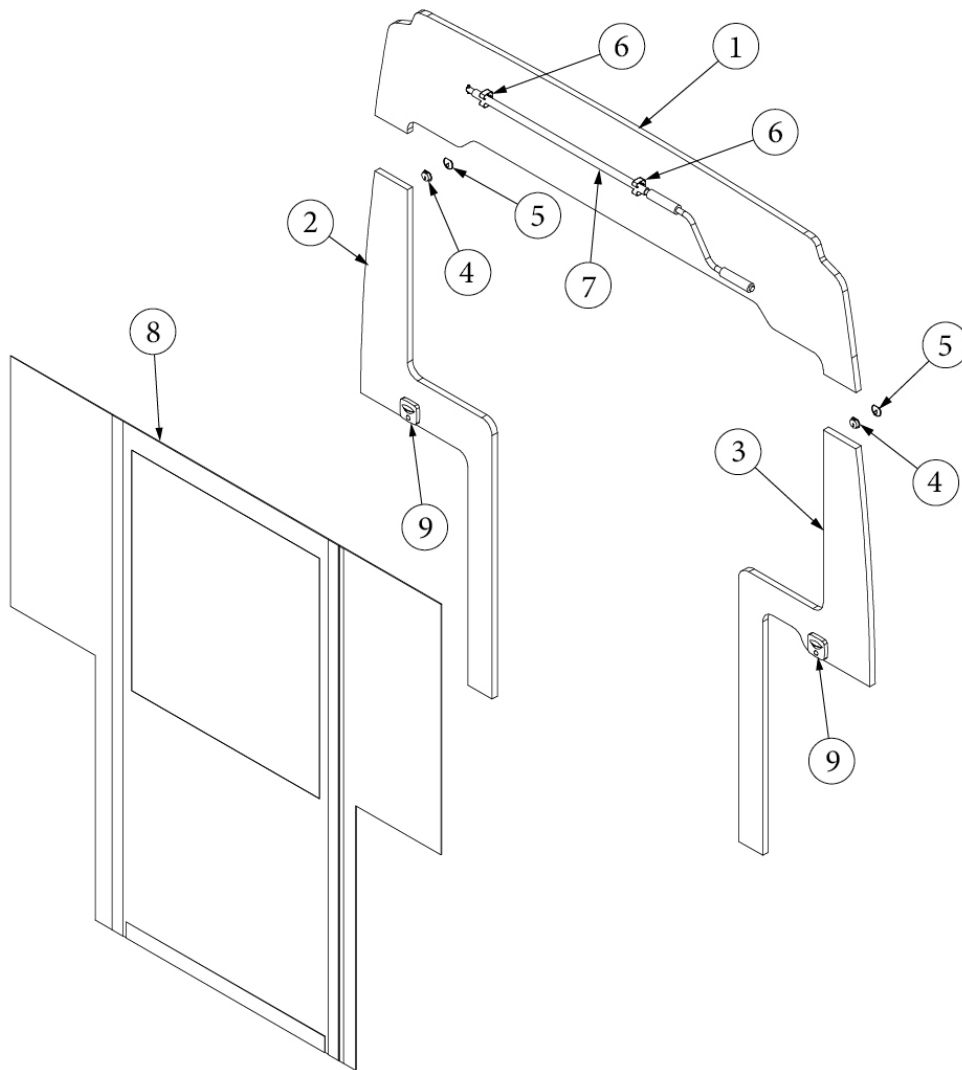
Install, Rear Door Panels (note for order/see parts below)
Install, Rear Door Stop (note for order/see parts below)

- 1. 382872
- 2. 382873
- 3. 204317-01
- 4. 204317-02
- 5. 382878
- 6. 382850
- 7. 116460
- 8. 383011
- 9. 382828
- 101110

- Molle Panel, CS
- Molle Panel, RS
- Rear Upper Door Cover, RS
- Rear Upper Door Cover, CS
- Rivet, Xmas Tree, .312" Dia.
- Plug, Promaster Rear Door
- Backer Plate, Stretch Net
- Stretch Net, Plastic Framed
- Hinge Limiter, Rear door stop
- Sheet Aluminum, .09 x 48 x 120"

EXTERIOR DOORS

Screen and Panel Frame, Rear Door



113875

Install, Screen Door, Rear (note for order/see parts below)

- | | |
|--------------------|------------------------------------|
| 1. 969803&000118BH | Pre Laminate, .75 x 19.08 x 57.44" |
| 2. 969803&000218BH | Pre Laminate, .75 x 19.08 x 57.44" |
| 3. 969803&000318BH | Pre Laminate, .75 x 16.69 x 69.26" |
| 4. 382057 | Knockdown, 8mm |
| 5. 113875&0003C01A | D-Cover, Cap |
| 6. 704993-ARM-CLIP | Clips, 2PC, Holder for Crank Rod |
| 7. 704993-ARM | Rod, Crank, Awning extension |
| 8. 705007 | Screen door, Rear, Canvas |
| 9. 514045 | Light, LED w/motion detection |

WINDOWS

Windows

372326	Window, CS Rear
204318-03	Interior panel, Frame, CS Rear
372328	Window, RS Front
204315-06	Interior panel, Frame, RS Front
372325	Window, RS Rear
204318-06	Interior panel, Frame, RS Rear

AWNINGS

Awning

135007	Install, Awning (note for order/see parts below)
704993	Awning, Thule
704993-01	Rail, Awning, Full length
704993-02	Adapter, Thule, Mount bracket, 3pc
704993-03	Bracket, Awning foot clamp, Small, 2pc
704993-100	LH Endcap Main house
704993-101	LH Endcap Lead rail
704993-102	RH Endcap Lead rail
704993-103	LH Endplate Assembly
704993-104	RH Endplate Assembly
704993-105	LH Endcap Roller Tube
704993-106	RH Endcap Roller Tube
704993-107	Hand Crank, Small G2
704993-108	LH Support Spring Arm Cover
704993-109	RH Support Spring Arm Cover
704993-110	Lead Rail, 3.75M, Clear Anodized, (1500603299)
704993-111	Support Arm, 3.5-4.5M, (1500603332)
704993-ARM	Rod, Crank, Awning extension
704993-ARM-CLIP	Clips, 2PC, Holder for Crank Rod
514205	Light, Thule LED strip, Awning

WINDOW COVERINGS

Window Coverings

705011-01	Window Cover, Sliding door, 2-piece
705011-02	Window Cover, Bench Seat
705011-03	Window Cover, Bed Left, RS
705011-04	Window Cover, Bed Right, CS
705011-05	Window Cover, Sliding door, 1-piece
382789	Velwisher, 7/8"
704992	Thermal Window Curtain Kit, 3-piece, Reflective

ELECTRICAL, 110 VOLT

Power Center

514029 Power Center, 120VAC, 30A
514043 Transfer switch, 30A

Inverter/Charger

514018 Inverter/Charger, 2000W, Xantrex XC Pro
514060-250 Breaker, 250A
385966 Label, Inverter

Shoreline Hookup

513797-01 Inlet, Smart plug box
513809 Power cord, 30 amp, 30', SmartPlug

Receptacles and USB Ports

513317-01 Decorator plate, 2 gang, Black
511815-02 Decorator plate, 1 gang, Black
514067 Cover, Waterproof, Black, w/gasket
512481-02 Receptacle, Single, Brown, 20A, Under galley
512481-03 Decorator Cover Plate, Brown, w/Screws
511815-01 Receptacle, Duplex, Black
514155 Receptacle, Pop up
513570 Receptacle, GFCI, 15A, Black
513740 USB, 4-port, 2A, Black

Breakers, 110V

510564-01 Breaker, Bryant, 20AMP
510564-02 Breaker, Bryant, 30AMP
510564-04 Breaker, Type BRD, BD 20-20
510564-06 Breaker, 20 GFI
514060-250 Breaker, 250A
514060-40 Breaker, 40A

ELECTRICAL, 12 VOLT

Battery

514020	Battery, Gamechanger, 270Ah, Battleborn
204314	Insulation cover, Battery
386588	Label, Warning, Battery ground
386552	Label, Vented battery compartment
514273	Trickle Charger, 12V, 2A
514273-01	Harness, Trickle Charger

Breakers & Fuses, 12V

510947-15	Breaker, 12V DC, Type II, 12V15
510947-30	Breaker, 12V DC, Type II, 12V30
510947-40	Breaker, 12V DC, Type II, 12V40
512660-50	Terminal fuse, 50 amp, Red
512660-60	Terminal fuse, 60 amp, Gold
512660-75	Terminal fuse, 75 amp, Brown
512660-200	Terminal fuse, 200 amp, Blue
512660-300	Terminal fuse, 300 amp, Gray
512661	Fuse terminal, Single stud
513450-01	Fuse block, Surface mount, common source
510946-04	Bracket, Breaker, 12V, 4-position
514283-03	BP/ATC Fuse 3amp
514283-05	Fuse W/ Blow Light, Type Bp/Atc 5amp
514283-07	BP/ATC Fuse 7.5A
514283-15	BP/ATC Fuse 15A
514283-20	Fuse W/ Blow Light, Type BP/ATC, 20amp

ELECTRICAL, 12 VOLT

Chassis & House Charging

514227 DC-DC Converter, Orion-Tr Smart

Charger, Cellphone

514136 Phone mount, w/Wireless charger & USB
455941 Bracket, Phone charger

Cable Kits, Main 12VDC

514041 Cable kit, Main 12VDC

Tank Sensors

514050-01 Tank Monitor, Seelevel Soul
514051-01 Sender Pad, Seelevel, 12"
514051-09 Sender Pad, Seelevel, 9"

Tank Heaters

514074 Heater Pad, Tank, 25-gallon max
514069 Heater Pad, Pipe Elbow, Waste Tank 13 x 3"
514073 Heater Pad, Pipe Elbow, Gray Tank, 8 x 3"

Switches

514046 Battery Disconnect, Mini master
514043 Transfer switch, 30A

ELECTRICAL, 12 VOLT

Interior Lights

514128	Light, LED strip, 69"
514135	Light, Reading, Touch lens, Pivoting
514134	Light, LED, Super thin, Aluminized, frosted lens
514045	Light, LED w/motion detection
513737-01	Sensor, PIR LED Light ring, Black
512376	LED shower light, SS trim ring

Exterior Lights

514133-01	Utility light, Courtesy, Water service compartment, LED
513103	Lightbar, Dump Valve, 16"
514028	Light, Sliding door
514501	Light Bar, Switched, Waterproof, LED, 12"

Solar System

135078	Install, Solar Panels (note for order/see parts below)
135145	Install, Solar Panels, Pop Top (note for order/see parts below)
514132-01	Solar panel, 200W
514019	Solar controller, Go Power, 30A
513006	Roof, Solar entry plate
204309	Spacer, Solar port
204346	Spacer, Solar port, Pop Top

Buzzer, Electric

135136	Install, Electric Buzzer (note for order/see parts below)
514127	Buzzer, Electric, Low current sonic, Slow pulse
382884	Bracket, Electric Buzzer
320158	Screw, #8-18 x .75", Self-Tapping
365488	Tape, 3M, Double Sided 3/8"

ELECTRICAL, 12 VOLT

Firefly System

514142-01	Control Board, Multiplexer, Firefly G12
514142-02	Color Touchscreen, Lyra 7"
514505	Vegatouch Adapter
514142-04	Drop Tag, G4 Common (Gry)
514142-07	Drop Tag, G4 Terminator (Red)
514142-08	Module Assembly, Multiprotocol Bridge Module / Lin
514142-09	2-Relay, 120v Module, W/ Connector & Pigtails
514142-18	Shunt, 500A, Trustate
514142-20	Airstream/Vegatouch: Mira
514142-21	RF Switch, 8 Position
514142-22	RF Switch, 2 Position
514142-29	Warning Label, AGS

ENTERTAINMENT

Audio

514068-01 Speaker, Bluetooth, JBL Flip 6
514070 Bracket, Speaker lock, for JBL Flip 6

Video

513793 Enclosure, King antenna prewire cap
204306 Spacer, Roof antenna
513637-14 Harness, Loomed, 3M, 2-WiFi, 1-GPS, 2-Cellular cables
514030 King antenna, Omni go
512406 Connector, RG6 Hex compression
512407 Coax cable, RG6

Airstream Connected

514215 Router, Peplink-Max, Bri Mini, HW3
513637-12 Peplink wifi/GPS/cellular antenna base, Black
513637-02 WiFi antenna mounting kit
513637-14 Harness, 3M, 2 WiFi, 1 GPS
204276 Spacer, 5G antenna

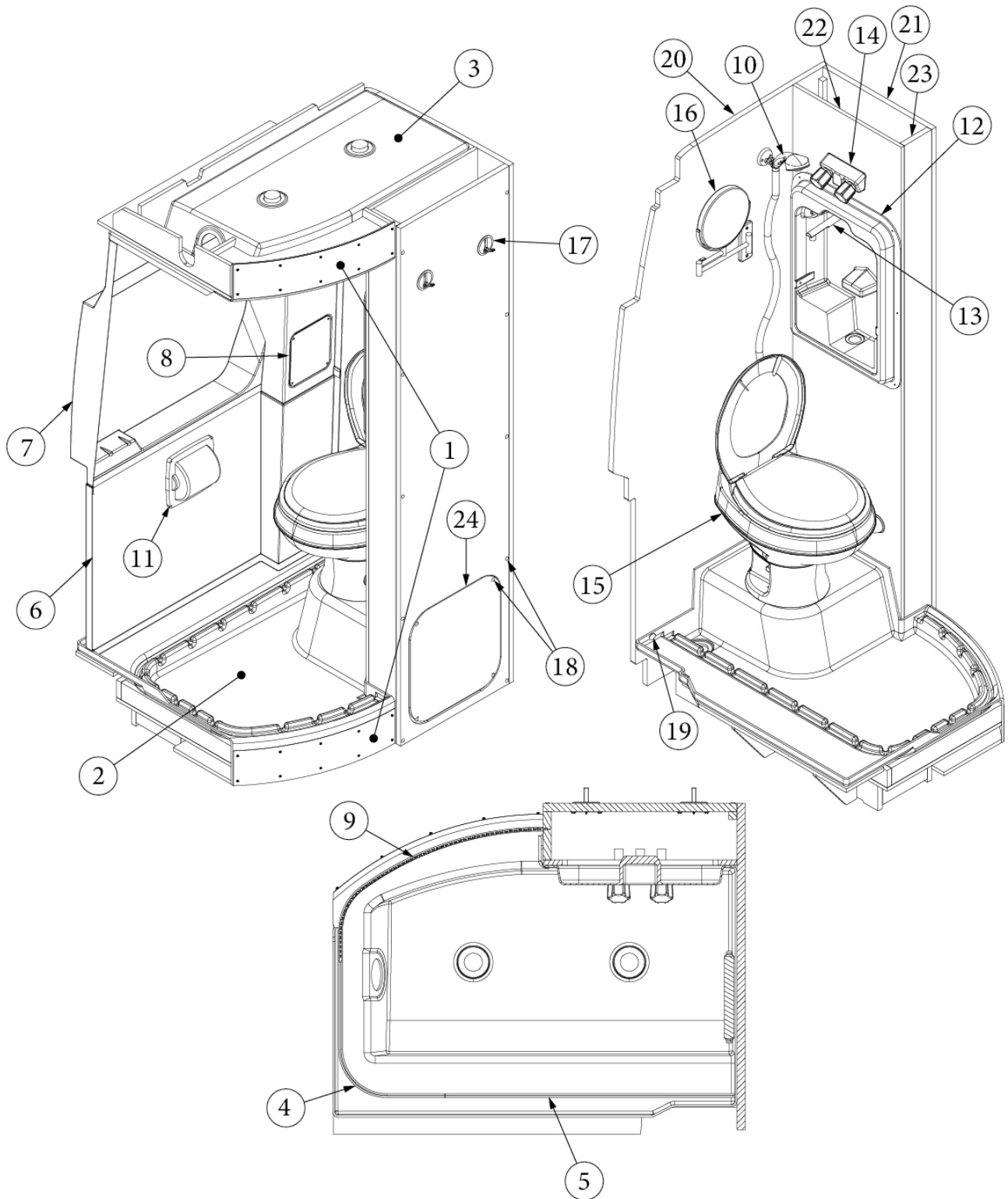
FLOOR COVERINGS

Floor Covering

704593-01	Vinyl flooring, Woven, Frosted Mink
705017	Mat, Bench Seat
705043	Carpet, Front
705028	Rear Carpet Runner

FURNITURE, LAVATORY

Wetbath Module



Parts Listed on Next Page

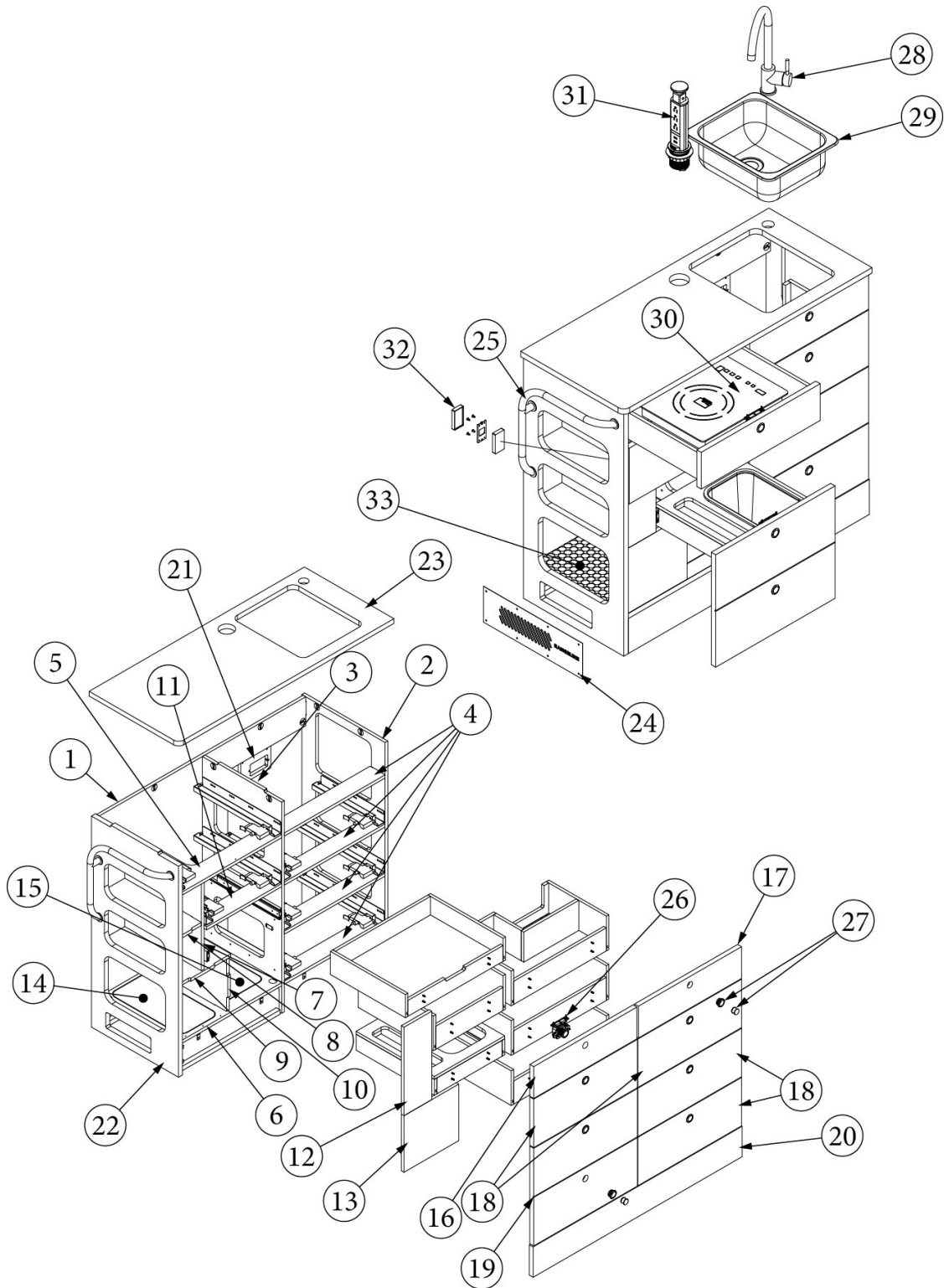
FURNITURE, LAVATORY

Wetbath Module

135077	Shower Install (note for order/see parts below)
1. 116459	Closeout, Aluminum, Shower, 5 x 21.2"
2. 204294	Lower Pan, Shower
3. 204303	Upper Pan, Shower
4. 204297-01	Track, Curved, Shower Door
5. 204297-02	Track, Straight, Shower Door
6. 204336-01	Shower Wall, Lower
7. 204336-02	Shower Wall, Upper
8. 204336-03	Access Cover, Shower Wall
9. 204337	Tambour Door, Silver, 62 x 25"
705035	Vinyl Strap, Shower Door
10. 602972	Shower Head Unit, Luxart
11. 602175	Holder, Dryroll Toilet Roll, White
12. 602928	Sink, Flip Down, Calf Grain White
13. 602954	Faucet, Fold Down, Brushed Nickel
14. 604877-01	Shower Valve, Faucet
15. 690707	Toilet, Dometic 301, White
16. 371423-04	Mirror, Wall Mount, Nickel
371423-01	Retainer Clip, Mirror 1.88"
17. 340326	Hook, Recessed, 2.5"
320029	Screw #8x3/4 Pan Head Phil Dr
452276	Steel backer, Hook, Galvanized, 3 x 3"
18. 381610-06	Cover, Cap, Grey
19. 381081-04	Cap, Snap Top, White #8
20. 969890&000118HC	Pre Laminate, 35.55 x 74.25"
21. 969890&000218FF	Pre Laminate, 18 x 74.25"
22. 969890&000312HC	Pre Laminate, 18 x 74.18"
23. 969890&000418HC	Pre Laminate, 4.5 x 74.25"
24. 969890&000512FF	Pre Laminate, 14.81 x 15.81"
114880-06	Sheet Aluminum, .040 x 51 x 152"

FURNITURE, GALLEY

Galley Cabinet



Parts Listed on Next Page

FURNITURE, GALLEY

Galley Cabinet

135537
970457

Galley Install (note for order/see parts below)
Assembly, Galley

1. 970457&000112BB	Pre Laminate, 41.81 x 36.5"
2. 970457&000212BB	Pre Laminate, 16.63 x 36.5"
3. 970457&000312BB	Pre Laminate, 16.07 x 36.85"
4. 970457&000412BB	Pre Laminate, 3 x 20.85"
5. 970457&000512BB	Pre Laminate, 15.84 x 21.06"
6. 970457&000612BB	Pre Laminate, 16.07 x 21.15"
7. 970457&000712BB	Pre Laminate, 15.53 x 16.55"
8. 970457&000812BB	Pre Laminate, 5.55 x 15.53"
9. 970457&000912BB	Pre Laminate, 10.93 x 15.53"
10. 970457&001012BB	Pre Laminate, 10 x 15.77"
11. 970457&001112BB	Pre Laminate, 3.25 x 15.7"
12. 970457&001212BB	Pre Laminate, 5.54 x 15.3"
13. 970457&001312BB	Pre Laminate, 10.93 x 9.78"
14. 970457&001412BB	Pre Laminate, 7.31 x 14.31"
15. 970457&001512BB	Pre Laminate, 7.81 x 10.81"
16. 970457&001618FF	Pre Laminate, 5.5 x 20.61"
17. 970457&001718FF	Pre Laminate, 5.5 x 20.61"
18. 970457&001818BB	Pre Laminate, 8.38 x 20.69"
19. 970457&001918BB	Pre Laminate, 16.88 x 20.69"
20. 970457&002018BB	Pre Laminate, 5.25 x 41.75"
21. 970457&002112BB	Pre Laminate, 4 x 6"
22. 602991	Galley Side Panel
23. 602992	Galley Top
24. 116437	Kick Plate, Toe, W/Rangeline Logo
320035	Screw, #8 x .5"
25. 382876	Grab Handle
345788	Screw, 5/16-18 x 1.25
300225	Washer, 5/16 x 1.25 Fender
26. 382836	Whisper Latch, Pull, Complete
27. 382836-01	Round Knob Only, Whisper Latch
382836-02	Bezel Only, Whisper Latch
28. 602898	Faucet, No Pull Down, Dehco
29. 602260	Sink, Stainless, 13 X 15"
30. 514023	Cooktop, Induct, 1000W, Single burner
31. 514155	Outlet, Pop Up
32. 514142-22	RF Switch, 2 Position, Entry Cubby
204345	Spacer, RF Switch, Black
345526	Screw #8 x .38, Black, Phillips
33. 705006	Mat, Rubber, Cubby floor, 10 x 15.125"

Parts Continued on Next Page

FURNITURE, GALLEY

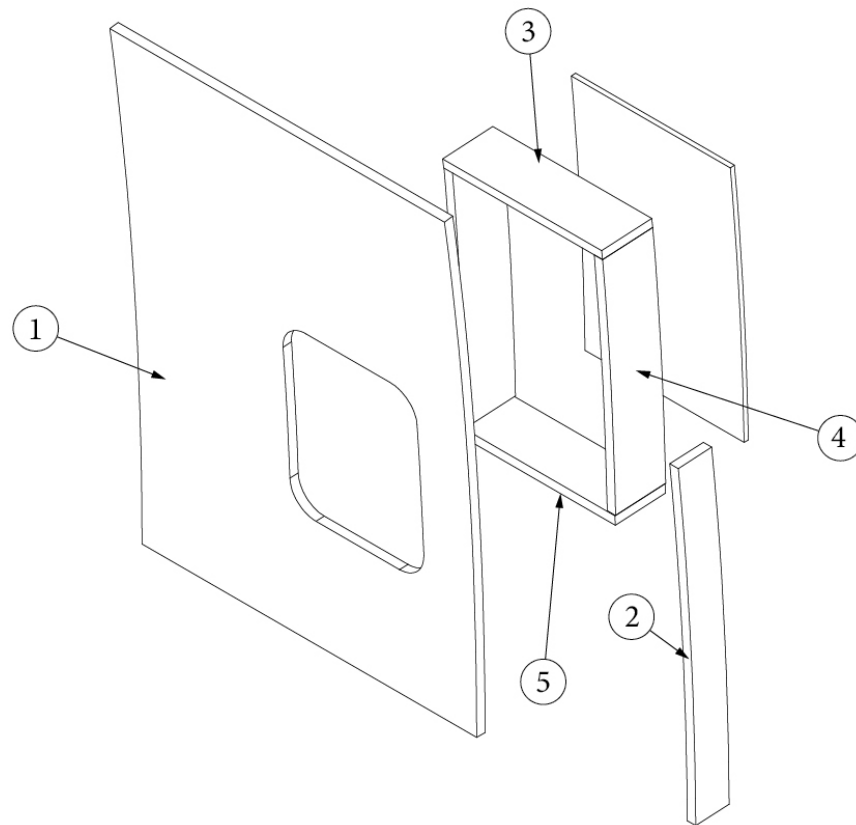
Parts Continued from Previous Page

Galley Cabinet

602925	Cutting board, Bamboo
802679	Drawer box, 2.75 x 20 x 15"
802681	Drawer box, 4 x 19.5 x 12"
802682	Drawer box, 2.75 x 19.5 x 15"
802680	Drawer box, 2.75 x 14.43 x 15"
969856	Drawer box, 2.75 x 14.05 x 15.63"
203942-03	T-molding, 13/16", Black
381400	Drawer Slides, 14"
381708-01	Wastebasket, 11.38 x 8.25 x 12"
382820-02	Drawer Slides, 12" Soft Close
382820-03	Drawer Slides, 15" Soft Close
382820-06	Clips, Slides
382880-01	Caravan Connector, Milky White
382880-02	Caravan Connector Lid, Light Brown
360420	Tape, 3M Loop Fastener, 1" Black
704075	Dual Lock Fastener, 3M

FURNITURE, GALLEY

Cubby, Galley Wall



969962

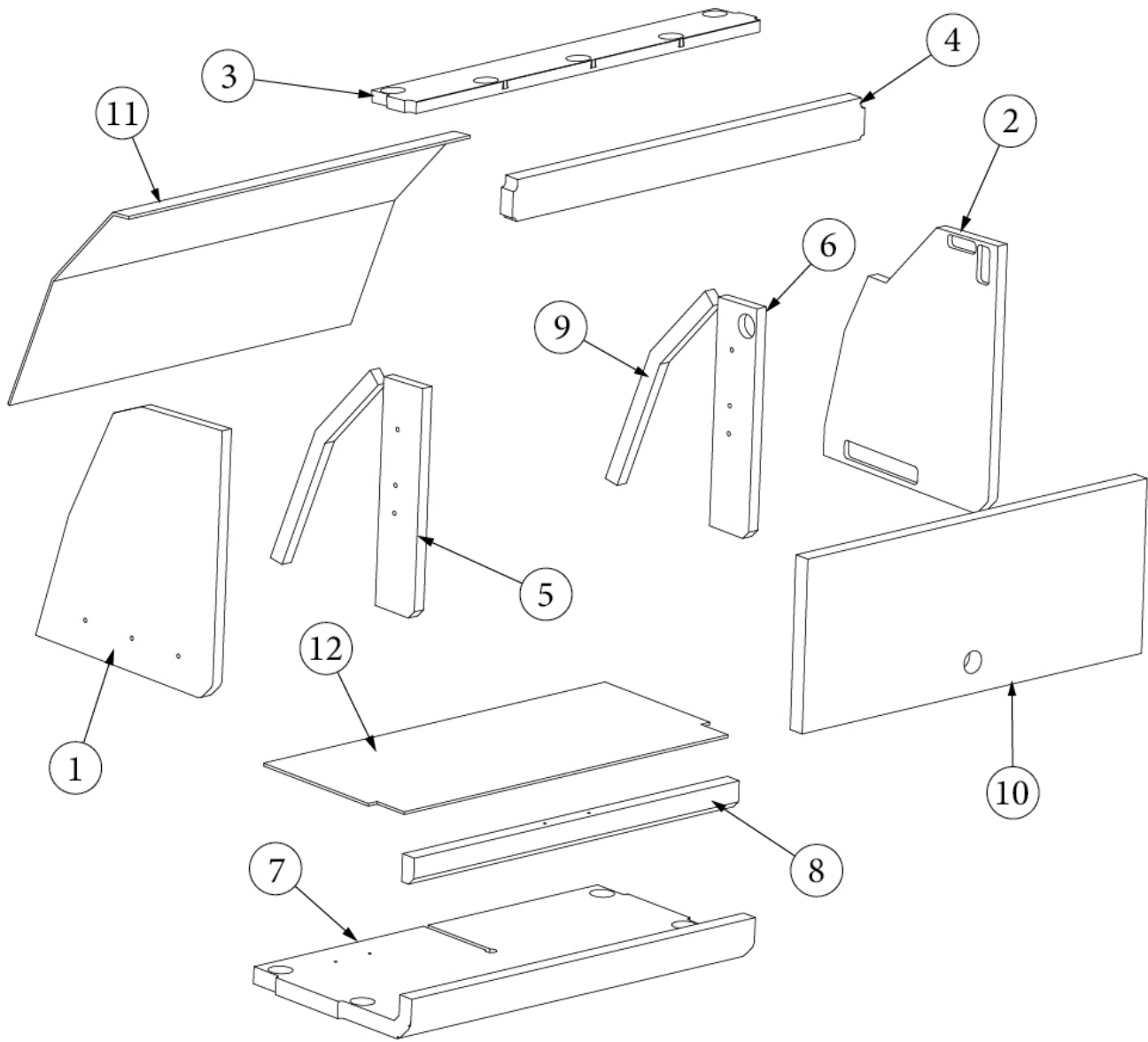
Install, Cubby, Galley (note for order/see parts below)

- 1. 969962&000112FF
- 2. 969962&000212FF
- 3. 969962&000312FF
- 4. 969962&000412FF
- 5. 969962&000612FF
- 203445
- 800507-02
- 704854

- Pre Laminate, 20 x 27.75"
- Pre Laminate, 2.25 x 19"
- Pre Laminate, 3.04 x 9.5"
- Pre Laminate, 3.12 x 13.63"
- Pre Laminate, 3 x 9.5"
- T-molding, 9/16", Black
- Luan, 1/4" x 4' x 8'
- Carpet, Black, PSA W/Liner

FURNITURE, GALLEY

Roof Locker, Galley



Parts Listed on Next Page

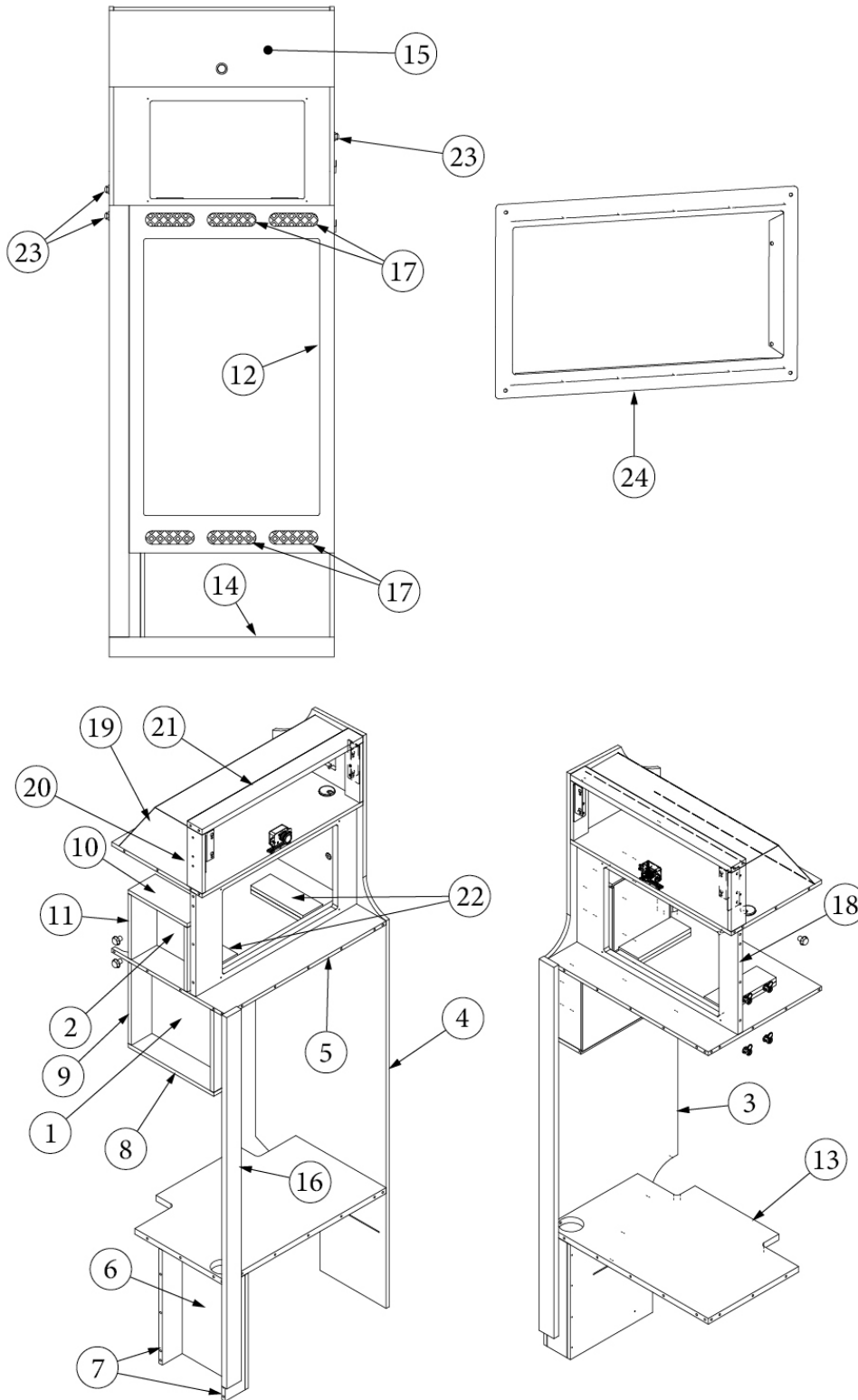
FURNITURE, GALLEY

Roof Locker, Galley

802707	Assembly, Galley Roof Locker
1. 802707-1	Pre Laminate, .5 x 10.97 x 12.19"
2. 802707-2	Pre Laminate, .5 x 10.97 x 12.19"
3. 802707-3	Pre Laminate, .5 x 2.88 x 19.97"
4. 802707-4	Pre Laminate, .75 x 1.88 x 19.97"
5. 802707-5	Pre Laminate, .5 x 2.5 x 10.38"
6. 802707-6	Pre Laminate, .5 x 2.5 x 10.38"
7. 802707-7	Pre Laminate, .75 x 10.1 x 19.97"
8. 802707-8	Pre Laminate, .5 x 1.25 x 18.44"
9. 802707-9	Pre Laminate, .5 x 2.56 x 12"
10. 802707-10	Pre Laminate, .75 x 7.81 x 19.25"
11. 195619-01	Plyfelt Backer, Black, .12 x 19.38 x 13.07"
12. 195620-01	Plyfelt Locker, Liner, .12 x 8.5 x 19.38"
514068-01	Speaker, Bluetooth, JBL Flip 6
514070	Bracket, Speaker lock, for JBL Flip 6
382836	Whisper Latch, Pull, Complete
382541	Hook, Polished chrome
382990	Hinge, Overhead spring, Nickel
382880-01	Caravan Connector, Milky White

FURNITURE, GALLEY

Refrigerator and Microwave Cabinet



Parts Listed on Next Page

FURNITURE, GALLEY

Refrigerator and Microwave Cabinet

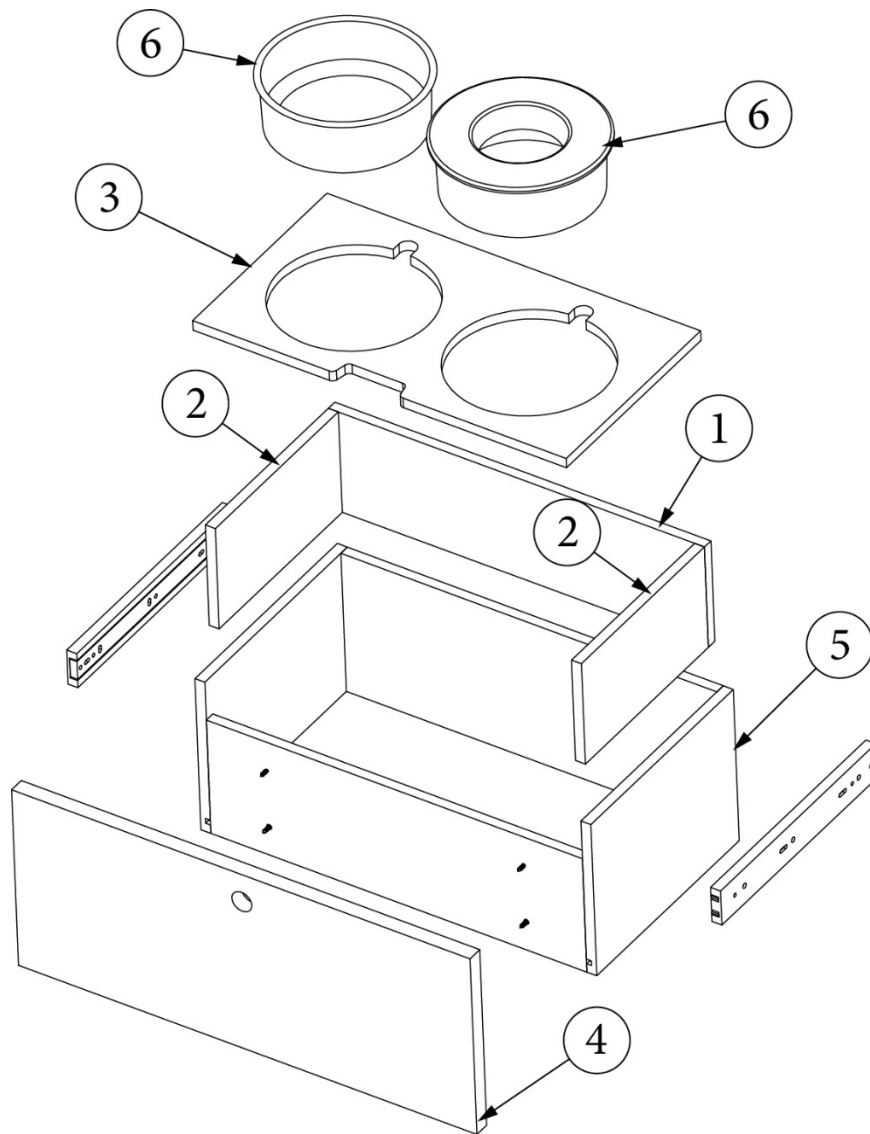
969767

Assembly, Refer Cabinet

1. 969767&000106FE	Pre Laminate, 12.5 x 11"
2. 969767&000206FE	Pre Laminate, 8.5 x 8.75"
3. 969767&000312FF	Pre Laminate, 24.13 x 73.72"
4. 969767&000412FF	Pre Laminate, 24.13 x 73.72"
5. 969767&000512FF	Pre Laminate, 24.5 x 21.25"
6. 969767&000612FF	Pre Laminate, 12.5 x 15.17"
7. 969767&000712FF	Pre Laminate, 3.04 x 15.17"
8. 969767&000812FF	Pre Laminate, 3.38 x 13"
9. 969767&000912FF	Pre Laminate, 3.38 x 10.75"
10. 969767&001012FF	Pre Laminate, 4.13 x 9"
11. 969767&001112FF	Pre Laminate, 4.13 x 8.5"
12. 969767&001218FF	Pre Laminate, 23.25 x 75.2"
13. 969767&001318FF	Pre Laminate, 24.5 x 18.5"
14. 969767&001418FF	Pre Laminate, 25.5 x 2.25"
15. 969767&001518FF	Pre Laminate, 7.14 x 23.13"
16. 969767&001618FF	Pre Laminate, 2.25 x 69.85"
17. 204398	Mesh, Stretchable Plastic
18. 969767&001918FF	Pre Laminate, 23.25 x 13.55"
19. 969767&002012FF	Pre Laminate, 24.5 x 21.25"
20. 969767&002412FF	Pre Laminate, .5 x 2.25 x 7.89"
21. 969767&002618FF	Pre Laminate, 24.5 x 2.25"
22. 969767&003812FF	Pre Laminate, .5 x 3 x 8"
23. 690797-10	Temp Sensor, Elwell
690797-11	Cover, Temp Sensor, Elwell
690648-04	Trim Kit, Bezel, Microwave, For 690648-02
116458	Closeout, Aluminum, Refer cab
116167-01	Sheet aluminum, .023 x 30 x 160"
382990	Hinge, O/H Spring, Nickel
386570-01	Edgebanding, 1500 Grey, 5/8"
386570-02	Edgebanding, 1500 Grey, 15/16"
969767&0027T01B	T-Moulding, 1/2"
345760	Screw, 1/4"-203/*8" Flat Head
382836	Whisper Latch, Pull, Complete
350189	Nut, Tee, 6 Prong, 1/4-20
383015-01	Grommet, W/Cap Black, 35mm
386436	Screw Cover, 1/4-20, Plastic Snap
345801	Euro Screw, 6.3mm x 13mm

FURNITURE, GALLEY

Pet Food Station



135059

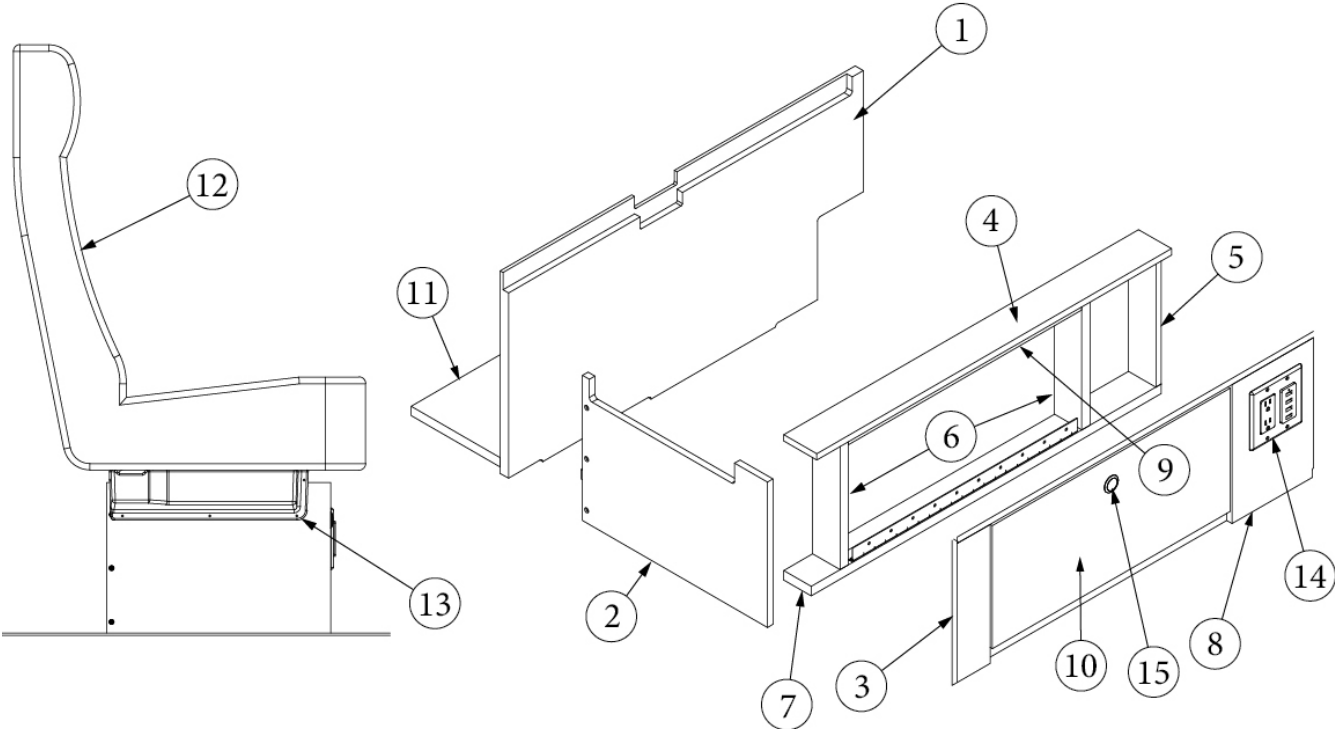
Install, Pet Food Station (note for order/see parts below)

1. 135059&000112BB
2. 135059&000212BB
3. 135059&000912BB
4. 969771&000118FF
5. 969771
6. 204370
381400-01
382836

- Pre Laminate, .5 x 5.25 x 19.34"
Pre Laminate, .5 x 5.25 x 10"
Pre Laminate, .5 X 10.38 X 18.85"
Pre Laminate, Drawer Face, 9.38 x 23"
Drawer box, Refer cabinet, Pet Station
Bowl, Pet Food, Spill Resistant
Drawer Slides, 12"
Whisper Latch, Pull, Complete

FURNITURE, LOUNGE

Bench Seat and Enclosure



Parts Listed on Next Page

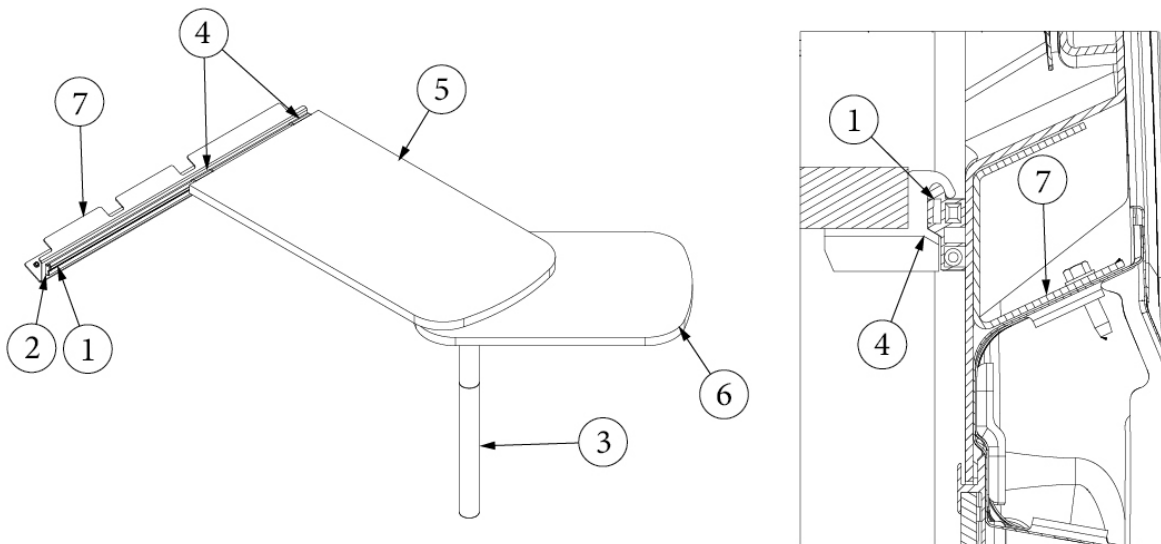
FURNITURE, LOUNGE

Bench Seat and Enclosure

<p>135099 113969 969957</p>	<p>Install, Seat Enclosure (note for order/see parts below) Install, Bench Seat (note for order/see parts below) Assembly, Bench Seat Enclosure</p>
<p>1. 969957&000118BB 2. 969957&000212BB 3. 969957&000312BB 4. 969957&000412BB 5. 969957&000512BB 6. 969957&000618BB 7. 969957&000718BB 8. 969957&000812BB 9. 969957&000918BB 10. 969957&001012BB 11. 969957&001118BB 12. 704997 705001 13. 204344 14. 511815-01 513740 513317-01 15. 382836 705017 380203-01 386572-01 386572-02 455901 455902 455928 345084 345269-24 345477-03 300115 300147 300241 350132</p>	<p>Pre Laminate, 16.88 x 32.38" Pre Laminate, 11.48 x 16.88" Pre Laminate, 10.98 x 6" Pre Laminate, 3 x 32.38" Pre Laminate, 3 x 10.23" Pre Laminate, 3 x 10.23" Pre Laminate, 3 x 31.95" Pre Laminate, 10.98 x 7.3" Pre Laminate, 3 x 21.33" Pre Laminate, 9.73 x 21.7" Pre Laminate, 8.13 x 27.32" Bench seat, Admiral Navy Bench seat, Moonstone Grey Closeout, Bench seat Receptacle, Duplex, Black USB, 4-port, 2A, Black Decorator plate, 2 gang, Black Whisper Latch, Pull, Complete Mat, Bench Seat Piano Hinge, 1/8" Edgebanding, Plank Urban Oak, 5/8" Edgebanding, Plank Urban Oak, 15/16" Bracket, Bench Seat, Long Bracket, Bench Seat, Short Bracket, Bench Seat, RS Screw, 1/4-14 x 1", Cutting Bolt, 1/2-13 x 6" HHC-FL, THD-Grade 5 Bolt, 1/2-13 x 3" HHC-PRT, THD-Grade 5 Washer, Flat, .5" x 2.38" Washer, Flat, ID .53" OD 1.1" Washer, Flat, .5 x 1.25., Grade 5 Nut, Flanged, Mac-Lock, 1/2-13, Grade 5</p>

FURNITURE, LOUNGE

Dinette Table



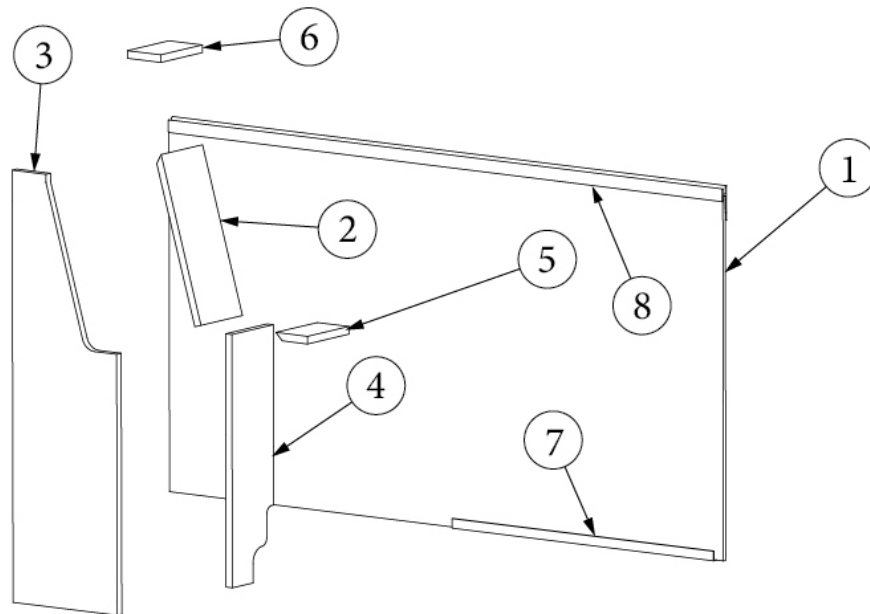
135036

Install, Dinette Table (note for order/see parts below)

- | | |
|--------------|------------------------------|
| 1. 382864-01 | Slide Rail, 36" |
| 2. 382864-02 | End Caps, Pair |
| 3. 382864-03 | Table Leg, 28" |
| 4. 382864-04 | Mounting Clips, Pair |
| 5. 602929-01 | Table, Bench Seating, Large |
| 6. 602929-02 | Table, Bench Seating, Small |
| 7. 455951 | Bracket, Table Mounting |
| 345084 | Screw, Self-tap, 1/4-14 x 1" |

FURNITURE, LOUNGE

Dinette Wall



135040
969939

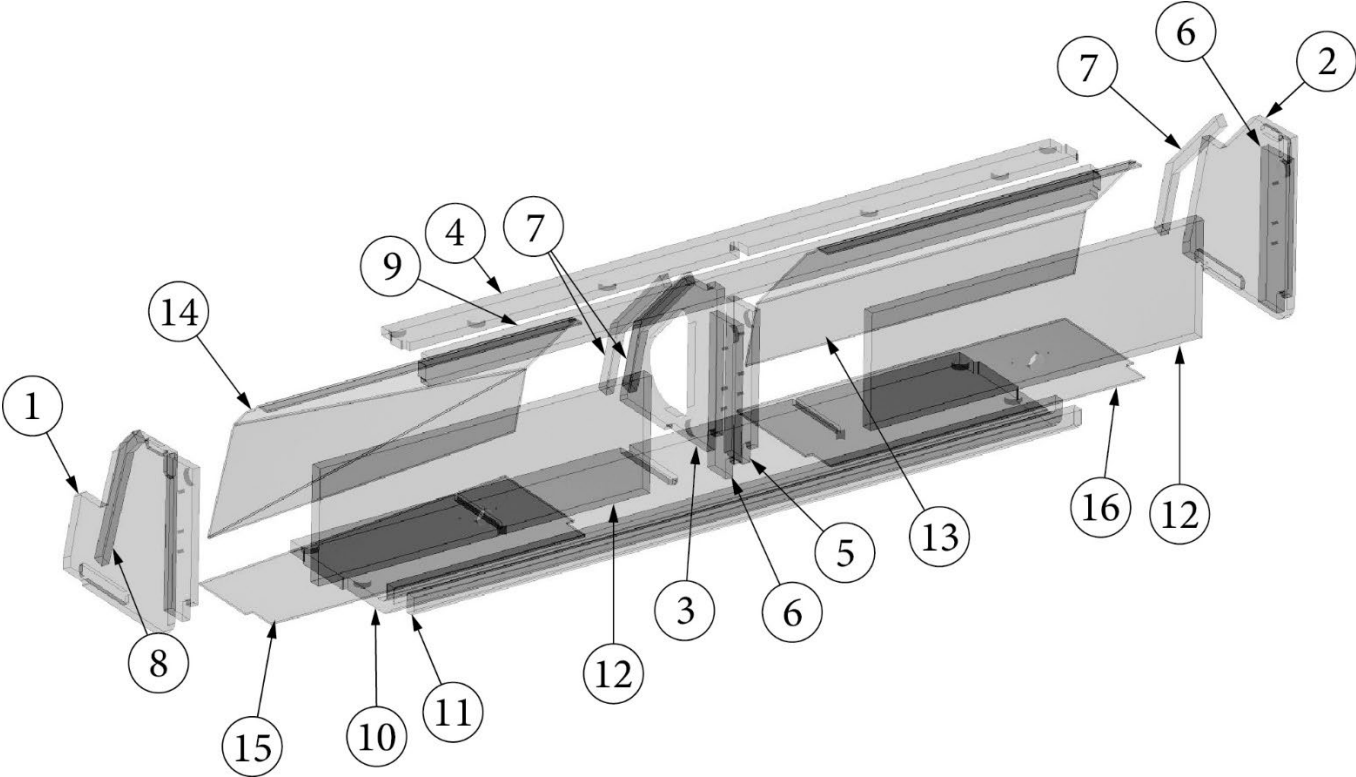
Install, Dinette Wall (note for order/see parts below)
Assembly, Dinette wall

1. 969939&000106BE
2. 969939&000212BB
3. 969939&000312BB
4. 969939&000412BB
5. 969939&000512BB
6. 969939&000612BB
7. 116448
8. 116213

Pre Laminate, 44 x 23.75"
Pre Laminate, 4.5 x 11.25"
Pre Laminate, 17 x 8.14"
Pre Laminate, 4.5 x 16.5"
Pre Laminate, 2.5 x 4.5"
Pre Laminate, 2.67 x 4.5"
J Channel, Satin, 7/16" x12'
Extrusion, Midwall, 8'

FURNITURE, LOUNGE

Roof Locker, Dinette



Parts Listed on Next Page

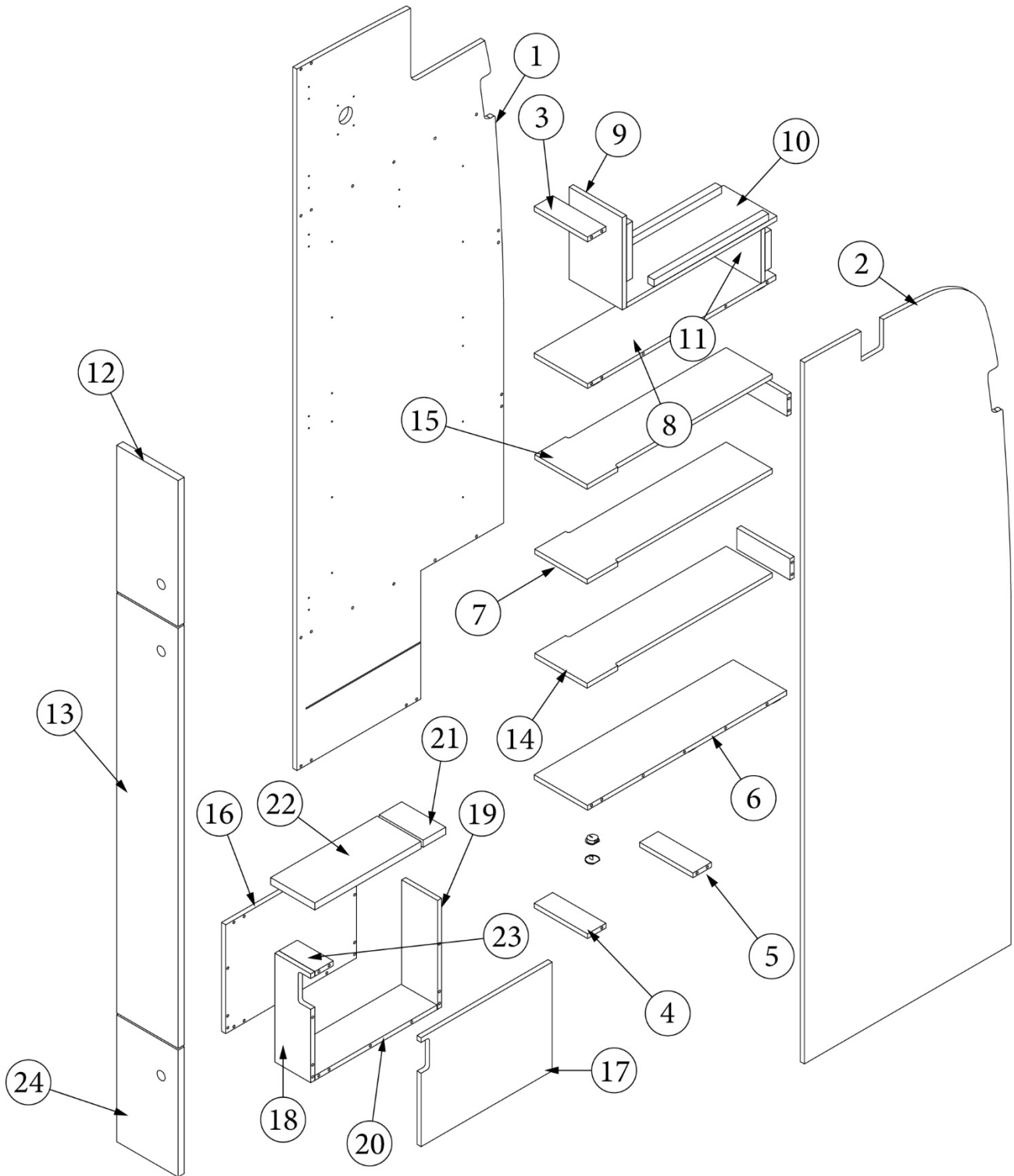
FURNITURE, LOUNGE

Roof Locker, Dinette

802771	Assembly, Dinette Roof Locker
1. 802771-1	Pre Laminate, G516631
2. 802771-2	Pre Laminate, G516632
3. 802771-3	Pre Laminate, G516633
4. 802771-4	Pre Laminate, G516634
5. 802771-5	Pre Laminate, G516635
6. 802771-6	Pre Laminate, G516636
7. 802771-7	Pre Laminate, G516637
8. 802771-8	Pre Laminate, G516638
9. 802771-9	Pre Laminate, G516640
10. 802771-10	Pre Laminate, G516641
11. 802771-12	Pre Laminate, G516642
12. 195620-05	Plyfelt Backer, G24491,
13. 195619-05	Plyfelt Backer, G24489
14. 195619-06	Plyfelt Backer, G24490
15. 195620-06	Plyfelt Backer, G25103
382836	Whisper Latch, Pull, Complete
382990	Hinge, Overhead spring, Nickel
382880-02	Caravan Connector, Brown

FURNITURE, BED

Pantry



Parts Listed on Next Page

FURNITURE, BED

Pantry

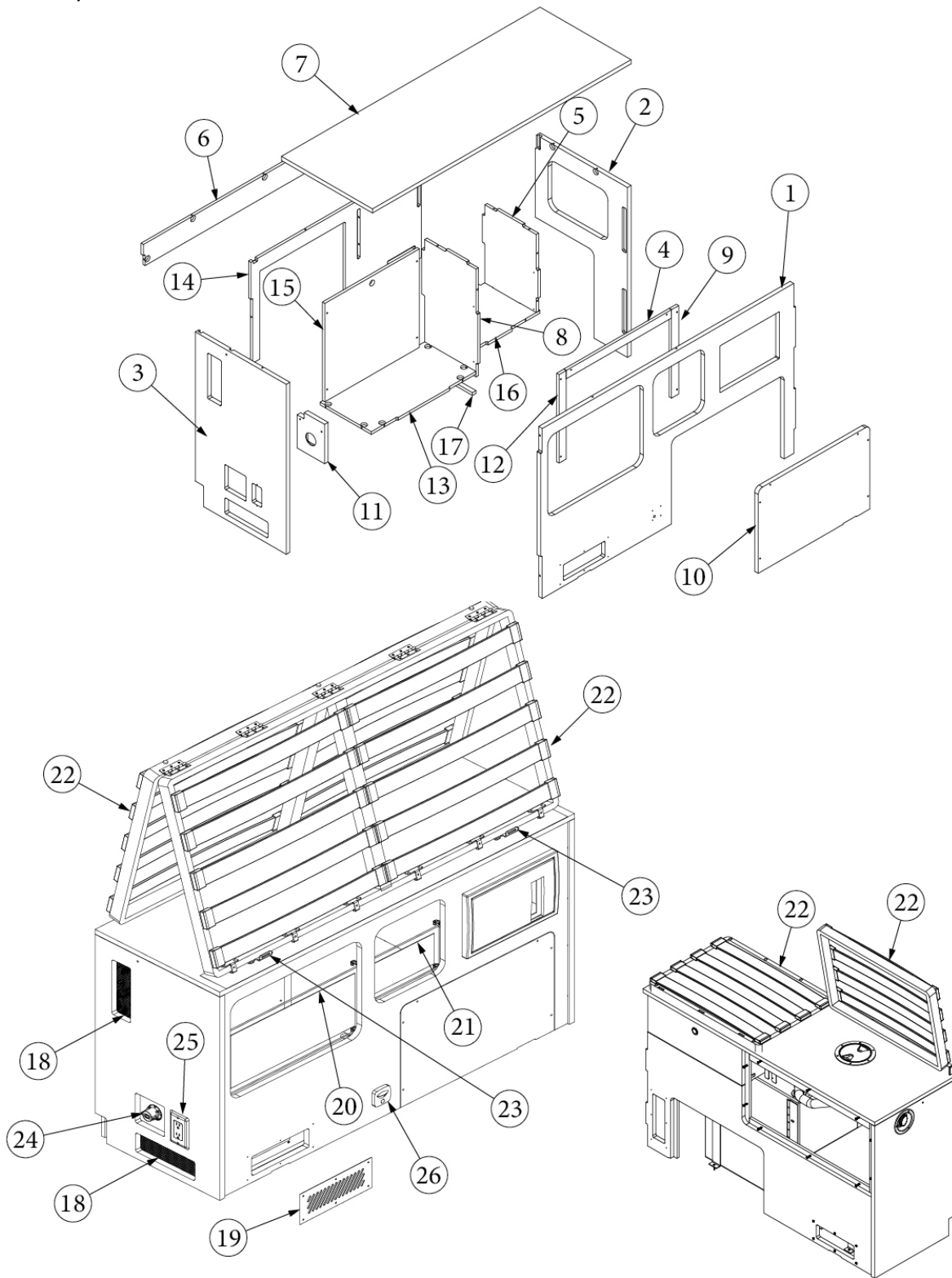
135336
970280

Install, Pantry (note for order/see parts below)
Assembly, Sliding Pantry

1. 970280&000112FF	Pre Laminate, 25.25 x 74.12"
2. 970280&000212HC	Pre Laminate, 25.25 x 74.12"
3. 970280&000312FF	Pre Laminate, 2.25 x 6.5"
4. 970280&000412FF	Pre Laminate, 2.25 x 6.5"
5. 970280&000512FF	Pre Laminate, 2.25 x 6.5"
6. 970280&000612FF	Pre Laminate, 6.5 x 24.31"
7. 970280&000712FF	Pre Laminate, 6.38 x 23"
8. 970280&000812FF	Pre Laminate, 6.5 x 23"
9. 970280&000912FF	Pre Laminate, 6.5 x 9.75"
10. 970280&001012FF	Pre Laminate, 6.5 x 18.38"
11. 970280&001112FF	Pre Laminate, 5.67 x 6.5"
12. 970280&001218FF	Pre Laminate, 7.5 x 15.42"
13. 970280&001318FF	Pre Laminate, 7.5 x 44.39"
14. 970280&001412FF	Pre Laminate, 6.38 x 23"
15. 970280&001512FF	Pre Laminate, 6.38 x 23"
16. 970280&001612FF	Pre Laminate, 16 x 11.5"
17. 970280&001712FF	Pre Laminate, 16 x 11.5"
18. 970280&001812FF	Pre Laminate, 4.38 x 11.5"
19. 970280&001912FF	Pre Laminate, 4.38 x 11.5"
20. 970280&002012FF	Pre Laminate, 4.38 x 14.94"
21. 970280&002118FF	Pre Laminate, 2.75 x 5.38"
22. 970280&002218FF	Pre Laminate, 5.38 x 13"
23. 970280&002312FF	Pre Laminate, 2.25 x 4.38"
24. 970280&002418FF	Pre Laminate, 7.5 x 13.4"
381527	Speedy Strips, Shelf
200975-04	Conduit, Black plastic
380046	Flange, Chrome
514136	Phone mount, w/Wireless charger & USB
455941	Bracket, Phone charger
372327	Tread, Step
381400-03	Drawer Slides, 16"
381607-12	Baseplate, Grass, 9.5 x 37/32"
386570-01	Edgebanding, 1500 Grey, 5/8"
386570-02	Edgebanding, 1500 Grey, 15/16"
203942-03	T-molding, 13/16", Black
382836	Whisper Latch, Pull, Complete
382057	Knockdown, 8mm
382057-02	Cap, Knockdown, Gray

FURNITURE, BED

Bed Base, Roadside



Parts Listed on Next Page

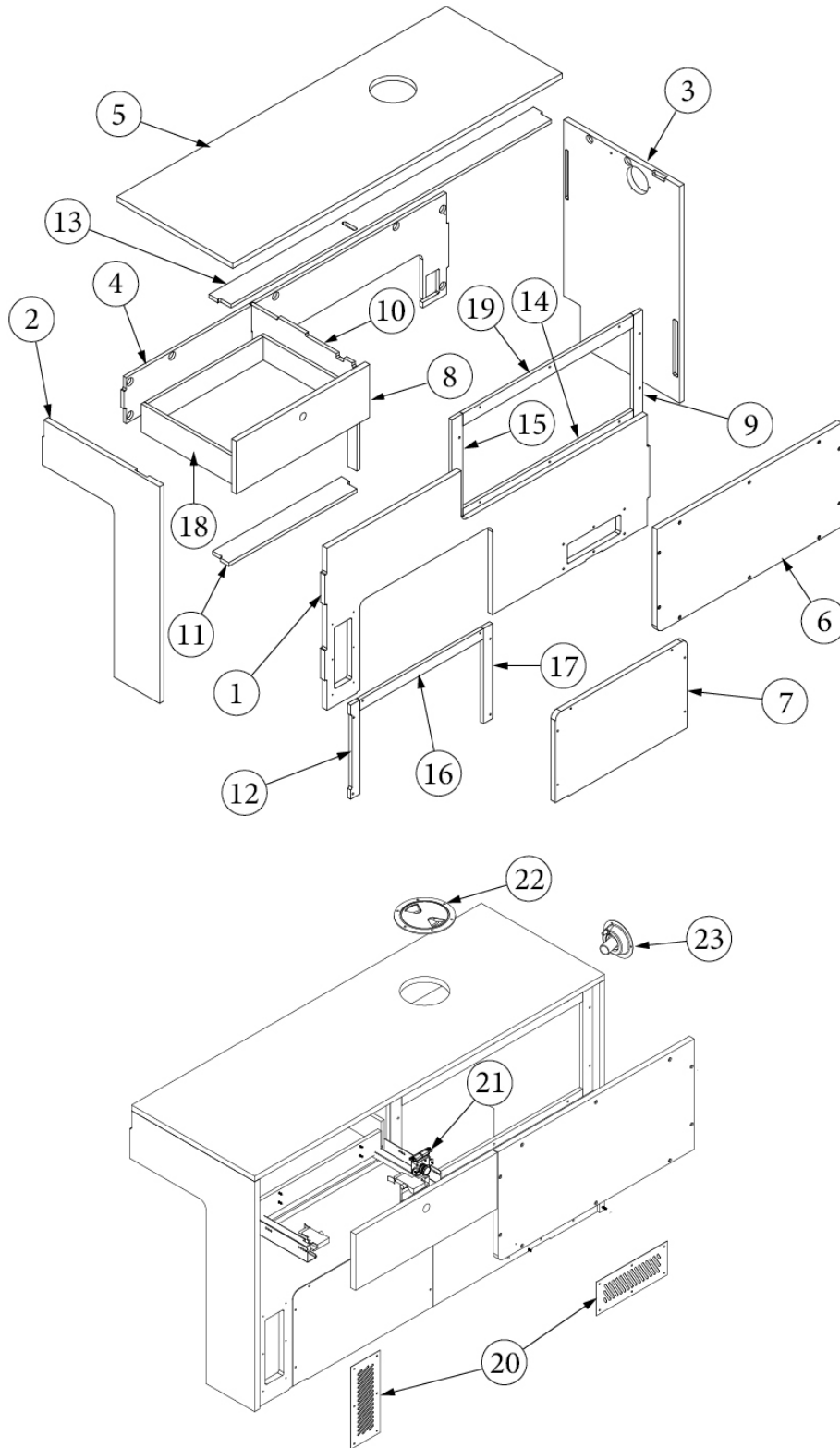
FURNITURE, BED

Bed Base, Roadside

135087	Install, Bed Bases (note for order/see parts below)
113999	Install, Roadside Bed Base (note for order/see parts below)
802718	Assembly, Roadside Bed Base
1. 802718-1	Pre Laminate, .75 x 30.75 x 53.21"
2. 802718-2	Pre Laminate, .75 x 19.25 x 30.75"
3. 802718-3	Pre Laminate, .75 x 19 x 30.75"
4. 802718-4	Pre Laminate, .5 x 2.25 x 22"
5. 802718-5	Pre Laminate, .5 x 14.98 x 11.09"
6. 802718-6	Pre Laminate, .5 x 4 x 53.21"
7. 802718-7	Pre Laminate, .75 x 19 x 54"
8. 802718-8	Pre Laminate, .5 x 19.85 x 11.7"
9. 802718-9	Pre Laminate, .5 x 16 x 6"
10. 802718-10	Pre Laminate, .75 x 15.16 x 23.31"
11. 802718-11	Pre Laminate, .75 x 5.75 x 6"
12. 802718-12	Pre Laminate, .5 x 16 x 6"
13. 802718-13	Pre Laminate, .5 x 10.92 x 21.84"
14. 802718-14	Pre Laminate, .5 x 18.44 x 35.6"
15. 802718-15	Pre Laminate, .5 x 17.81 x 19.75"
16. 802718-16	Pre Laminate, .5 x 11.6 x 13.08"
17. 800025-01	Pine, .75 x .75 x 9.88"
18. 204398	Mesh, Stretchable Plastic
19. 116442	Vent cover, Kick plate
20. 705004	Cargo Net, Large, Bed base
705024	Hook, Cargo net
21. 705005	Cargo Net, Small, Bed base
22. 382856	Folding Bed Frame, Complete
23. 382857	Secure Bracket, Folding Bed Frame
24. 514046	Battery Disconnect, Mini master
25. 511815-01	Receptacle, Duplex, Black
511815-02	Decorator plate, 1 gang, Black
26. 514045	Light, LED w/motion detection
705008-01	Mattress, Large, 54.88 x 52.5"
705008-02	Mattress, Small, 19 x 52.5"
204332	Protection Film, Countertop
382880-01	Caravan Connector, Milky White
382880-02	Caravan Connector Lid, Light Brown
203942-03	T-molding, 13/16", Black
380041-01	Bracket, 1.07 x 1.07 x .5", 90 Degree
455965	Bracket, Electrical Panel
203462-04	Screw Cover, PVC, Urban Oak

FURNITURE, BED

Bed Base, Curbside



Parts Listed on Next Page

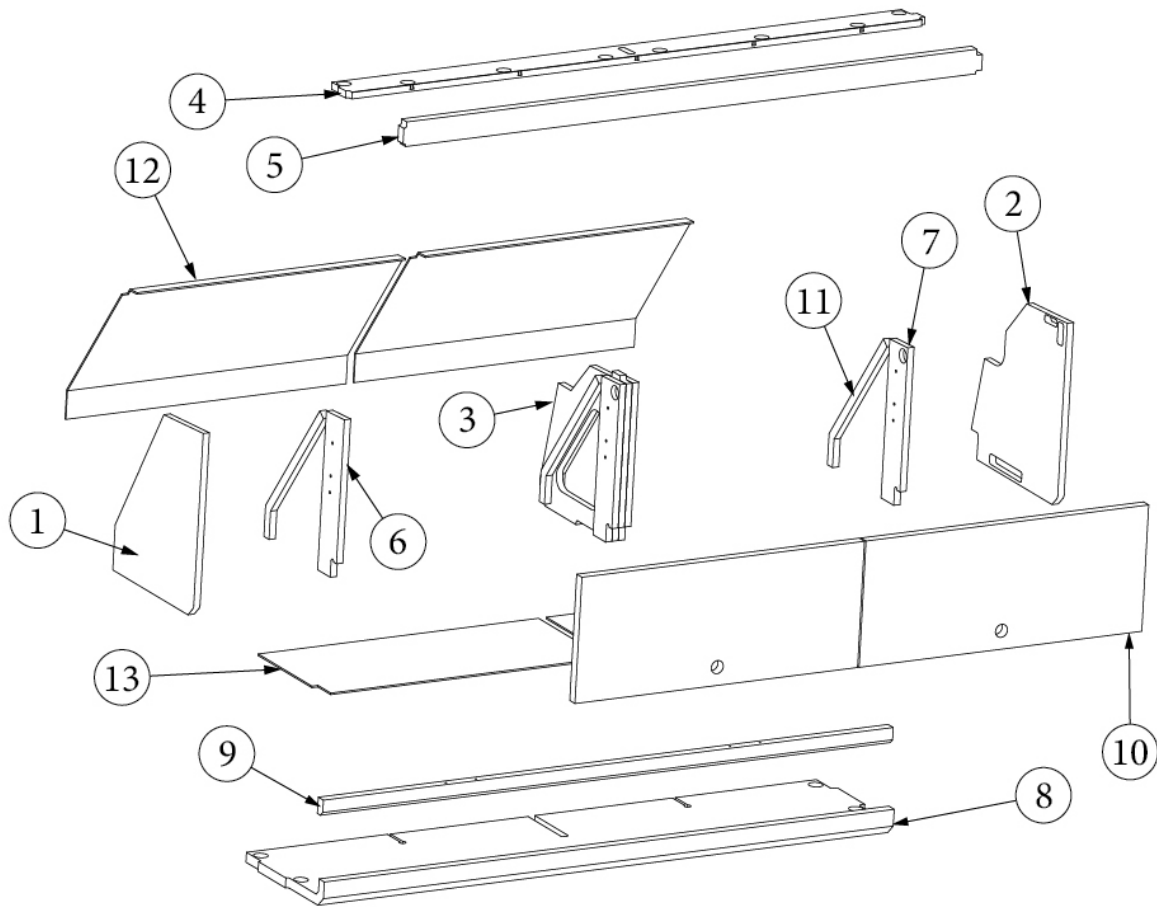
FURNITURE, BED

Bed Base, Curbside

135087	Install, Bed Bases (note for order/see parts below)
135000	Install, Curbside Bed Base (note for order/see parts below)
802719	Assembly, Curbside Bed Base
1. 802719-1	Pre Laminate, .75 x 23 x 53.21"
2. 802719-2	Pre Laminate, .75 x 19.25 x 30.75"
3. 802719-3	Pre Laminate, .75 x 19 x 30.75"
4. 802719-4	Pre Laminate, .5 x 14.38 x 53.21"
5. 802719-5	Pre Laminate, .75 x 19 x 54"
6. 802719-6	Pre Laminate, .75 x 14.75 x 30.31"
7. 802719-8	Pre Laminate, .75 x 12.66 x 21.56"
8. 802719-9	Pre Laminate, .75 x 7.5 x 21.88"
9. 802719-10	Pre Laminate, .5 x 15.25 x 1.5"
10. 802719-11	Pre Laminate, .5 x 15.35 x 17.5"
11. 802719-12	Pre Laminate, .5 x 3 x 21.48"
12. 802719-13	Pre Laminate, .5 x 13.35 x 1.5"
13. 802719-14	Pre Laminate, .5 x 3.25 x 53.21"
14. 802719-19	Pre Laminate, .5 x 1.75 x 28"
15. 802719-20	Pre Laminate, .5 x 15.25 x 1.75"
16. 802719-21	Pre Laminate, .5 x 1.5 x 20.25"
17. 802719-22	Pre Laminate, .5 x 13.5 x 1.5"
18. 969926	Drawer Box, 4 x 15 x 12.13"
19. 802719-26	Pre Laminate, .5 x 1.75 x 28"
20. 116442	Vent cover, Kick plate
21. 382836	Whisper Latch, Pull, Complete
22. 204260	Hatch cover, Round. 5"
23. 602598-01	Gravity Fill, Black, Valterra
705008-01	Mattress, Large, 54.88 x 52.5"
705008-02	Mattress, Small, 19 x 52.5"
204332	Protection Film, Countertop
455960	Bracket, Winterize Valve
455961	Bracket, Winterize Valve
382880-01	Caravan Connector, Milky White
382880-02	Caravan Connector Lid, Light Brown
203942-03	T-molding, 13/16", Black
382820-03	Drawer Slides, Soft-Close, 15"
382820-06	Clips, HD Adj, Undermount Slides
203462-04	Screw Cover, PVC, Urban Oak

FURNITURE, BED

Roof Locker, Roadside Bed



Parts Listed on Next Page

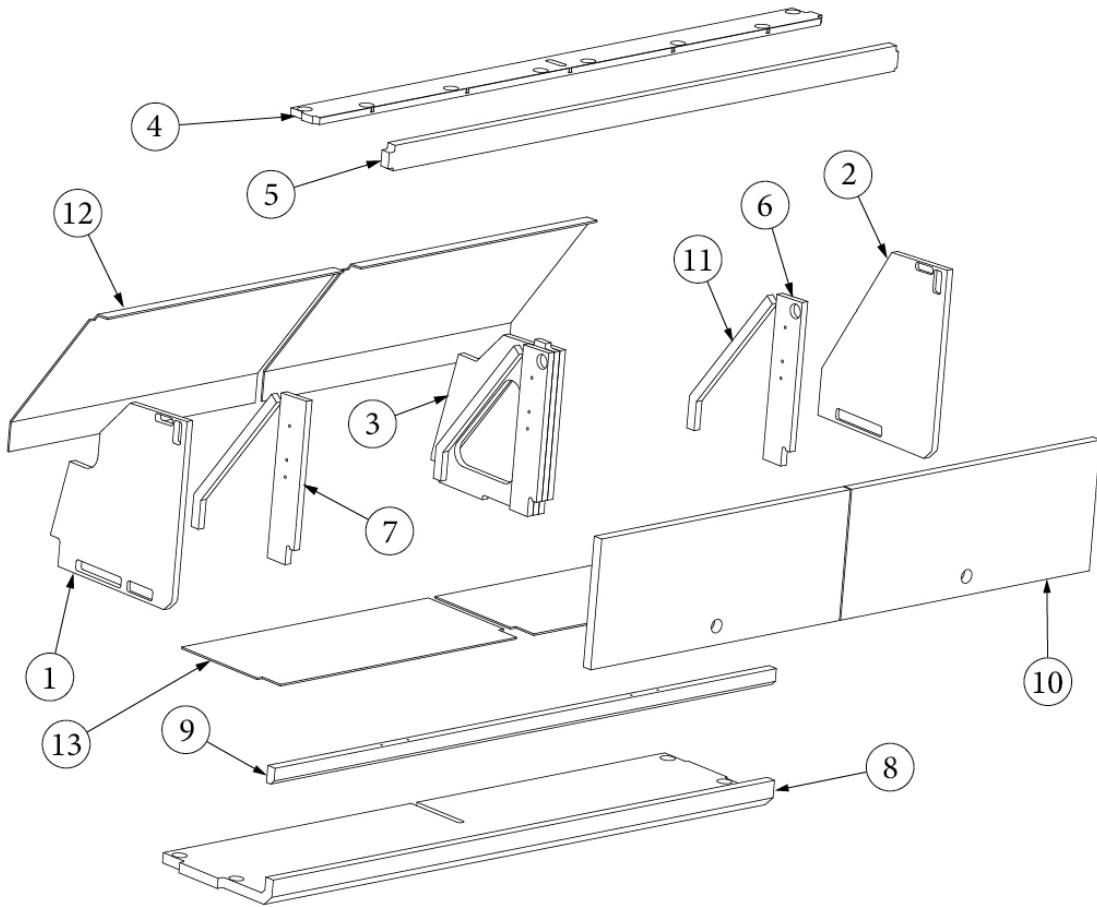
FURNITURE, BED

Roof Locker, Roadside Bed

802705	Assembly, RS Bed Roof Locker
802710	Spacer, Roof Locker, Roadside
1. 802705-1	Pre Laminate, .5 X 12.78 x 14.06"
2. 802705-2	Pre Laminate, .5 x 12.78 x 14.06"
3. 802705-3	Pre Laminate, .5 x 11.5 x 12.6"
4. 802705-4	Pre Laminate, .5 x 48.24 x 4.38"
5. 802705-5	Pre Laminate, .75 x 48.24 x 1.88"
6. 802705-6	Pre Laminate, .5 x 2.63 x 12.25"
7. 802705-7	Pre Laminate, .5 x 2.63 x 12.25"
8. 802705-8	Pre Laminate, .75 x 48.24 x 11.28"
9. 802705-9	Pre Laminate, .75 x 47.5 x 1.25"
10. 802705-10	Pre Laminate, .75 x 9.63 x 23.56"
11. 802705-11	Pre Laminate, .5 x 6.36 x 13.56"
12. 195619-04	Plyfelt Backer, Black, .12 x 23.36 x 15.44"
13. 195620-03	Plyfelt Locker Liner, Black, .12 x 9.75 x 23.36"
381228-02	Catch Grabber, Door, 5lb
382836	Whisper Latch, Pull, Complete
382990	Hinge, Overhead spring, Nickel
802710-1	Pre Laminate, Spacer, Lower, .75 x 5.74 x 11.28"
802710-2	Pre Laminate, Spacer, Upper .75 x 5.5 x 11.68"
802710-3	Pre Laminate, Spacer, .75 x 5.44 x 1.25"

FURNITURE, BED

Roof Locker, Curbside Bed



Parts Listed on Next Page

FURNITURE, BED

Roof Locker, Curbside Bed

802713	Assembly, CS Bed Roof Locker
802708	Spacer, Roof Locker, Curbside
1. 802713-1	Pre Laminate, .5 x 12.78 x 14.06"
2. 802713-2	Pre Laminate, .5 x 12.78 x 14.06"
3. 802713-3	Pre Laminate, .5 x 11.5 x 12.6"
4. 802713-4	Pre Laminate, .5 x 48.24 x 4.38"
5. 802713-5	Pre Laminate, .75 x 48.24 x 1.88"
6. 802713-6	Pre Laminate, .5 x 2.63 x 12.25"
7. 802713-7	Pre Laminate, .5 x 2.63 x 12.25"
8. 802713-8	Pre Laminate, .75 x 48.24 x 11.28"
9. 802713-9	Pre Laminate, .5 x 47.5 x 1.25"
10. 802713-10	Pre Laminate, .75 x 9.63 x 23.56"
11. 802713-11	Pre Laminate, .5 x 6.36 x 13.56"
12. 195619-04	Plyfelt Backer, Black, .12 x 23.36 x 15.44"
13. 195620-03	Plyfelt Locker Liner, Black, .12 x 9.75 x 23.36"
381228-02	Catch Grabber, Door, 5lb
382836	Whisper Latch, Pull, Complete
382990	Hinge, Overhead spring, Nickel
802708-1	Pre Laminate, Spacer, Lower, .75 x 5.74 x 11.28"
802708-2	Pre Laminate, Spacer, Upper .75 x 5.5 x 11.68"
802708-3	Pre Laminate, Spacer, .75 x 5.44 x 1.25"

HARDWARE

Bath Accessories

602972	Shower Head Unit, Luxart
602175	Holder, Dryroll Toilet Roll, White
602954	Faucet, Fold Down, Brushed Nickel
604877-01	Shower Valve, Faucet
371423-04	Mirror, Wall Mount, Nickel

Shower Door

204337	Tambour Door, Silver, 62 x 25"
705035	Vinyl Strap, Shower Door
345602	Screw, #6-18 x 1/2" Pan Head, Stainless

HARDWARE

Hinges

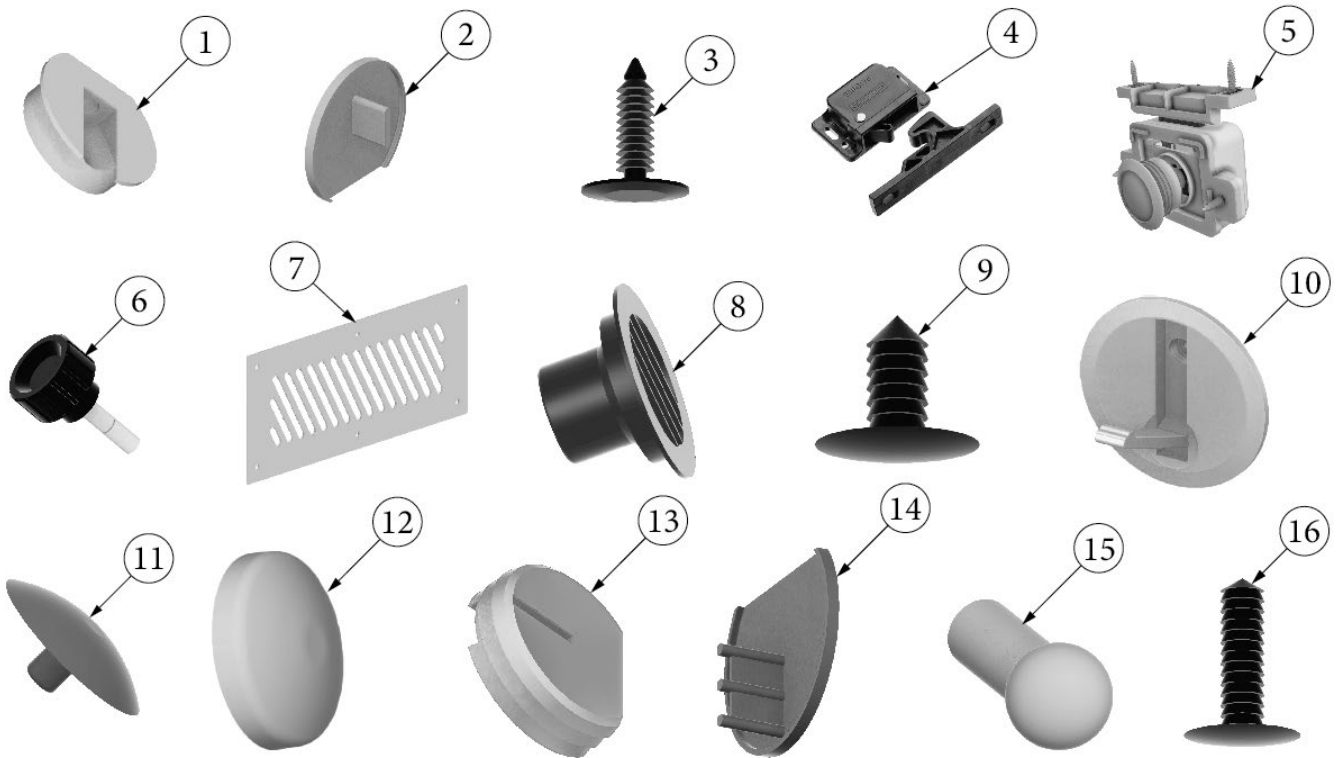
381607-18	Hinge, Nickle Plated, 110° Swing, Grass
381607-04	Hinge Screw, #6 x 5/8", Grass
381607-12	Baseplate, Grass
381607-110	Caps, Cover, Grass
380203-01	Hinge, Piano, Clear anodized, 1/8" pin, 72" Length
381951-01	Hinge, Piano, Formed, Black powder coat, 5.5" Length
382828	Limiter, Hinge, Rear door stop

Drawer Slides

381400	Drawer slides, Full extension, Knape and Vogt, 14"
381400-01	Drawer slides, Full extension, Knape and Vogt, 12"
381400-03	Drawer slides, Full extension, Knape and Vogt, 16"
382820-02	Drawer Slides, EZ Open Undermount, Soft-Close, 12"
382820-03	Drawer Slides, EZ Open Undermount, Soft-Close, 15"
382820-06	Clips, Front adjustable, Pair

HARDWARE

Interior Handles, Latches, and Fasteners



- | | |
|---------------|--|
| 1. 382057 | Knockdown |
| 2. 382057-02 | Cap, Knockdown, Grey |
| 3. 382062 | Fastener, Finned, .25" |
| 4. 381228-02 | Catch, Grabber door, 5LB |
| 5. 382836 | Whisper Latch, Pull, Complete, Brushed Nickel |
| 382836-01 | Round Knob only, Whisper Latch |
| 382836-02 | Bezel Only, Whisper Latch |
| 6. 382883 | Knob, Fluted Grip, Black, Water Panel, #10-32 x .75" |
| 7. 116442 | Vent cover, Kick plate, Large, 11 x 4.5" |
| 8. 690429 | Louver, Black, Round, Shower vent, 3.94 x 2" |
| 9. 382878 | Xmas Tree Rivet, .312 x .76" |
| 10. 340326 | Hook, Recessed, 2.5" |
| 320029 | Screw #8x3/4 Pan Head Phil Dr |
| 452276 | Steel backer, Hook, Galvanized, 3 x 3" |
| 11. 381610-06 | Cover, Cap, Grey |
| 12. 381081-04 | Cap, Snap Top, White #8 |
| 13. 382880-01 | Caravan Connector, Milky White |
| 14. 382880-02 | Caravan Connector Lid, Light Brown |
| 15. 382541 | Hook, Polished chrome |
| 16. 382992 | Xmas Tree Rivet, .288 x 1" |
| 705035 | Vinyl Strap, Shower Door |
| 203462-04 | Screw Cover, PVC, Urban Oak |
| 116437 | Kick Plate, Toe, W/Rangeline Logo |

HARDWARE

Rivets

325134	Rivet, Blind, Dome Head, 1/8 SS
330011	Rivet, Blind, Black, AD48ABS
330137	Rivet, Blind Pop, AD 41-43 BSMG
330031-01	Rivet, 3/16 x 5/8, SSD68SSBS

SAFETY EQUIPMENT

Smoke and Carbon Monoxide Detector

512260 Smoke and Carbon Monoxide Detector

Fire Extinguisher

690381-02 Fire Extinguisher, 10 B:C ULC
382854 Mount, Fire Extinguisher
382855 Spacer, Fire Extinguisher
320116-06 Screw, #8-31 x 1" Phillips
320255 Screw, #10 x 2" Flat head

LABELS AND TAGS

Labels and Tags

386582	Logo, Airstream
386583	Logo, Rangeline
386113	Label, RVIA Gold
386123	Label, Portable Water Only
386558	Decal, 110-125 Voltage Perm Adhesive
386590	Label, Hitch Cargo Capacity
386119	Label, Do Not Store Combustibles
386226	Label, RV Master Weight Label
386252	Label, Hepvo Warning
386588	Label, Warning Battery Ground
386303	Label, Cleaning Instructions
386366	Decal, Auto Gen Start Warning
386563	Label, This Is Not A Grab Handle
386574-01	Label, Exit, Clear
386574-02	Label, Exit, Clear, French
386579	Label, Emergency Latch Release
386249	Label, No Storage Compartment, AD-13
386311	Label, Folding Screen Warning
386120	Label, Smoke Alarm Warning
386120-01	Label, Smoke Alarm Warning, French
386556-15	Label, QR Code Rangeline
386589	Label, Breaker Box Danger
386552	Label, Vented battery compartment
386619	Label, Lift to Disengage
385966	Label, Inverter
S00417	Label, GFCI

PLUMBING, FRESH WATER SYSTEM

Faucet and Sink, Galley

602898	Faucet, No Pull Down, Dehco
602260	Sink, Stainless, 13 X 15"
602925	Cutting board, Bamboo

Faucet and Shower Head, Wet Bath

602954	Faucet, Fold Down, Brushed Nickel
604877-01	Shower Valve, Faucet
602972	Shower Head Unit, Luxart

Exterior Hose, Sprayer Port

602288-02	Coil hose, w/Brass insert, Pistol grip sprayer, 15'
943957	Sprayer Port, Non-potable, 3.625"
382860-01	Gasket, Sprayer Port

City Water Hook-Up

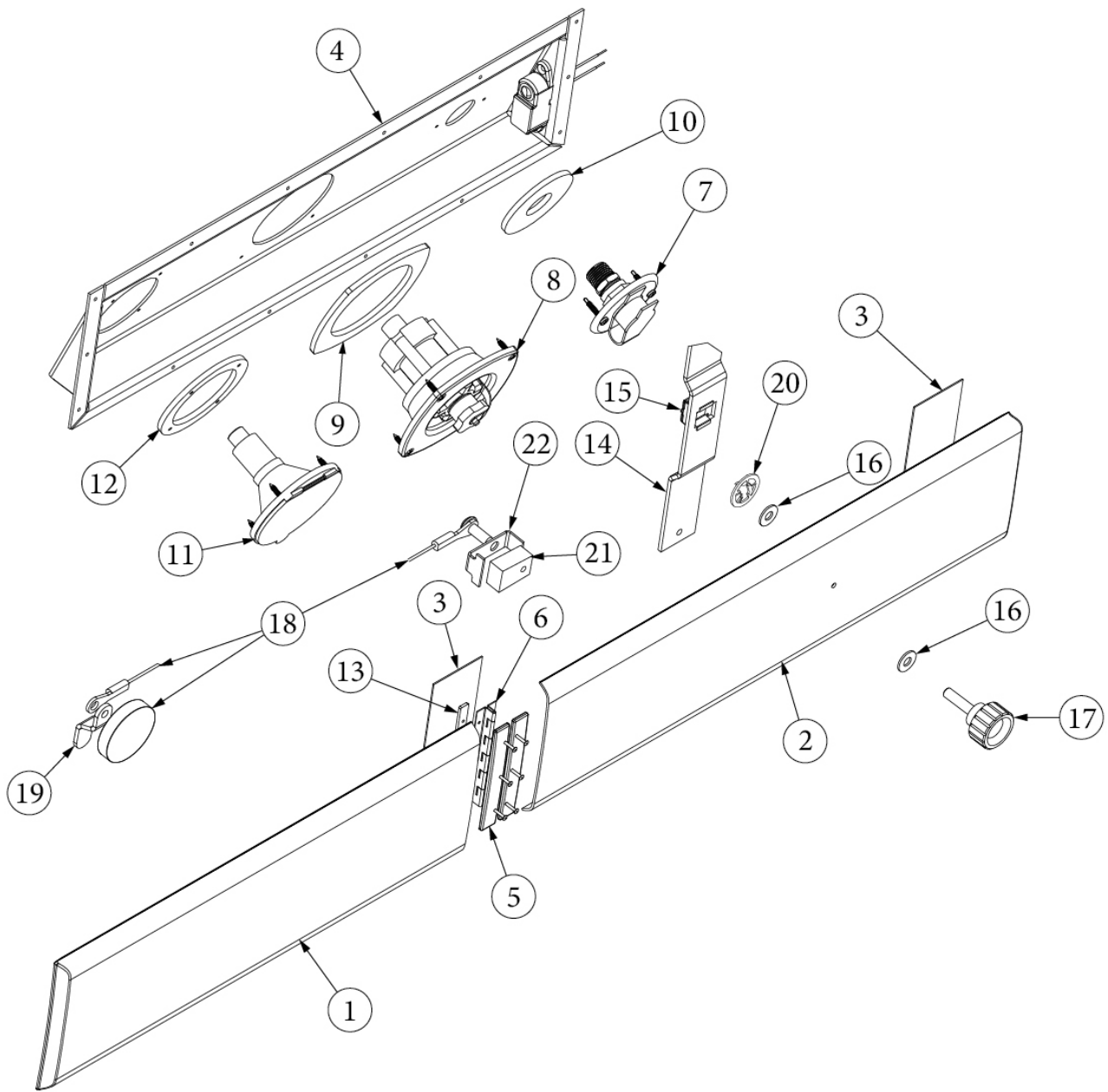
602985-02	Water Fill, City, W/Regulator, Black
382809-04	Gasket, City Water Fill

Fresh Water Tank and Water Fill

135065	Install, Fresh Water Tank (note for order/see parts below)
602906	Tank, Fresh Water
602598-01	Gravity Fill, Black, Valterra
455939	Bracket, Fresh Tank
455940	Bracket, Elwell/Fresh Tank Combo
601239-01A	Tubing, 1.375" ID
601240-01	Tubing, 1/2 ID x 3/32 Wall Th
514051-01	Sender Pad, Seelevel 710, 12"
601237	Elbow, 90 Degree, 1.25 MPT X 1.25"
602256-02	Adapter, Male Poly .5 barb x .5 mpt
340084-20	Clamp, Hose, SS, .81 1.75 SAE#20

PLUMBING, FRESH WATER SYSTEM

Water Access Panel



Parts Listed on Next Page

PLUMBING, FRESH WATER SYSTEM

Water Access Panel

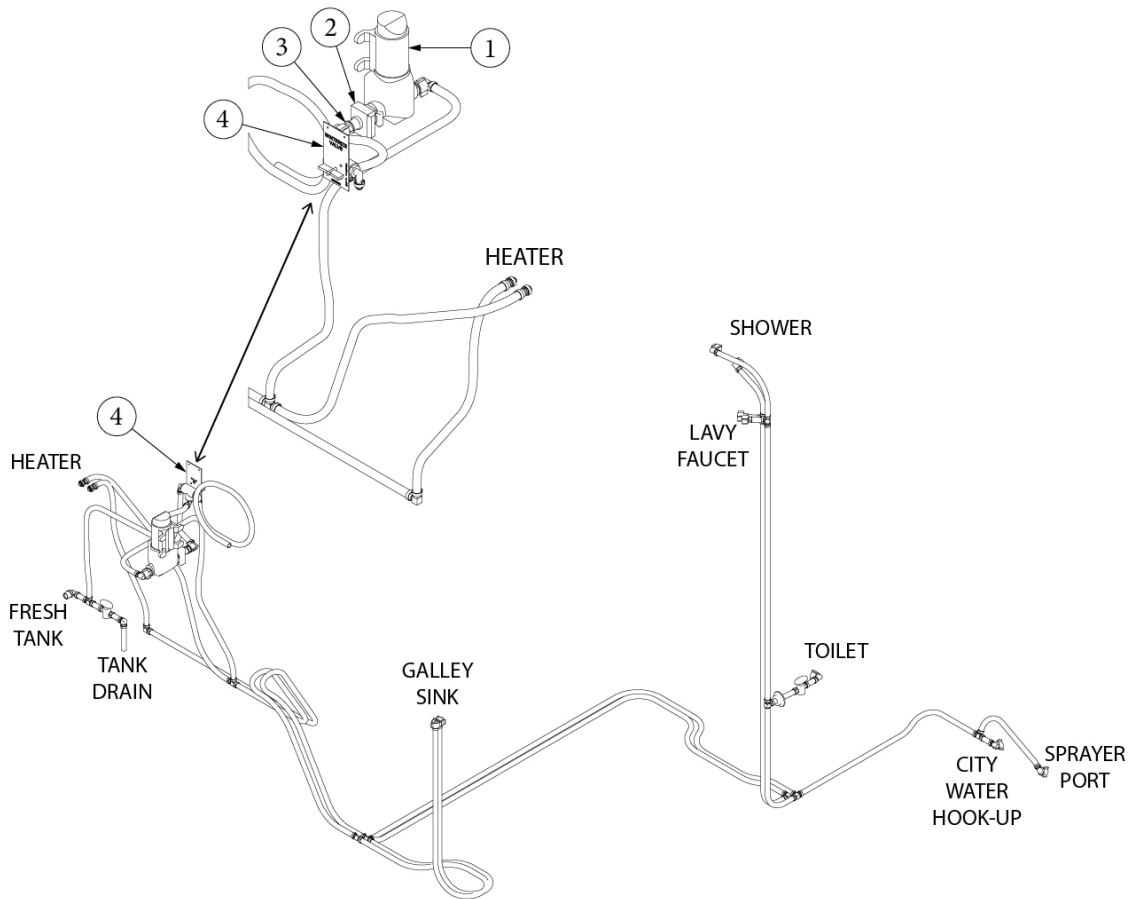
113903	Install, Water Access (note for order/see parts below)
1. 113903-1	Side trim, Front
2. 113903-2	Side trim, Door, Rear
3. 386409-08	Blackout Filler 3" X 150'
4. 116423	Sidewall Pan, Water Storage
5. 204300	Spacer, Molding door hinge
6. 381951-01	Hinge, Formed, Piano, 5.5"
7. 602940	Waste tank flush, 2 Pc, Black Inlet
8. 602985-02	Water Fill, City, W/Regulator, Black
9. 382809-04	Gasket, City Water Fill
10. 365338	Gasket, Waste Tank Flush
11. 943957	Sprayer Port, Non-potable, 3.625"
12. 382860-01	Gasket, Sprayer Port
13. 204328	Spacer, Molding, Door Hinge
14. 455950	Bracket, Sidewall Panel Latch
15. 350285	Snap in Nut, #10-32
16. 300243	Washer, Nylon, Black, #10
17. 382883	Knob, Fluted Grip, #10-32 x. 75"
18. 382882	Assembly, Lanyard/Magnet
19. 455956	Handle, Magnet Pull
20. 340325	Round Push Nut, #10, Black
21. 204343	Lanyard Retainer, Abs Plastic
22. 455966	Bracket, Retainer, Water Access
602288-02	Coil hose, w/Brass insert, Pistol grip sprayer, 15'

Waste Tank Flush

135039	Install, Waste Tank Flush (note for order/see parts below)
602940	Waste Tank Flush, 2 Pc, Black Inlet
365338-02	Gasket, Waste Tank Flush
602918	Water Line, Flexible, Blue, 1/2"
601698-15	Crimp Ring, 1/2, #14785
602256-03	Adapter, Poly, .5 Barb x.5 FPT Swivel
602256-04	Elbow, Poly, .5 Barb x .5 MPG
602256-05	Elbow, Poly .5 XFPT Swivel Wing Nut

PLUMBING, FRESH WATER SYSTEM

Fresh Water Lines



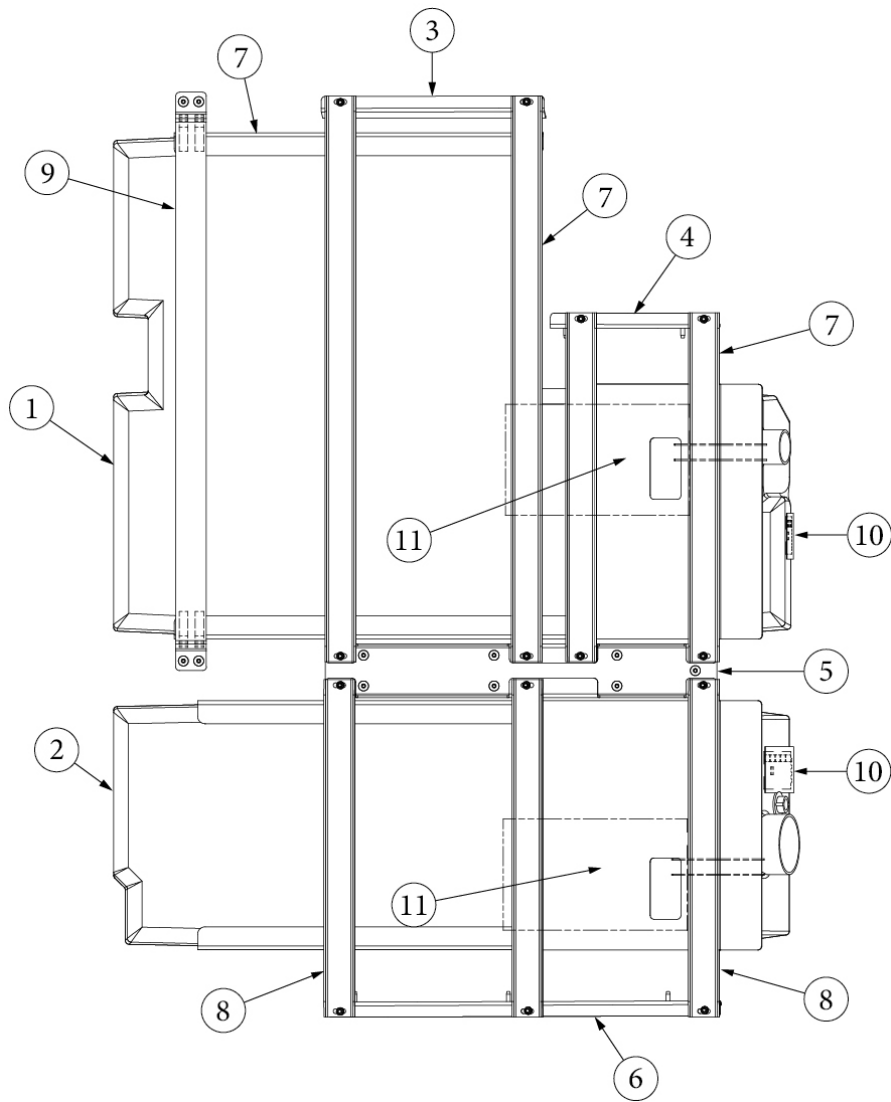
923618

Install, Fresh Water System (note for order/see parts below)

- | | |
|--------------|--|
| 1. 602177-01 | Pump, Water Flojet |
| 2. 602177-02 | Strainer, Mini Assembly |
| 3. 602177-04 | Quick Connect, For Pump, .5" |
| 4. 602942-01 | Winterizing Valve |
| 602918 | Water Line, Blue, Flexible, 1/2" |
| 602919 | Water Line, Red, Flexible, 1/2" |
| 602761-01 | Nipple, CPVC, .5" NPT x 1.313" |
| 602256-04 | Elbow, Poly, .5" Barb x .5 MPG |
| 602256-05 | Elbow, Poly .5" x FPT Swivel Wing Nut |
| 602256-10 | Elbow, Poly .5 Barb |
| 602256-11 | Tee, Poly, .5 Barb |
| 602926 | Pinch Clamp, Oetiker, 1/2" |
| 602256-08 | Coupling, Poly, .5" Barb |
| 602256-22 | Valve, Straight .5" Barb x .5" |
| 602256-03 | Adapter, Poly, .5" barb x .5" FPT Swivel |
| 382500 | Grommet, Pipe Press Fit, .5" |

PLUMBING, DRAIN SYSTEM

Holding Tanks



Parts Listed on Next Page

PLUMBING, DRAIN SYSTEM

Holding Tanks

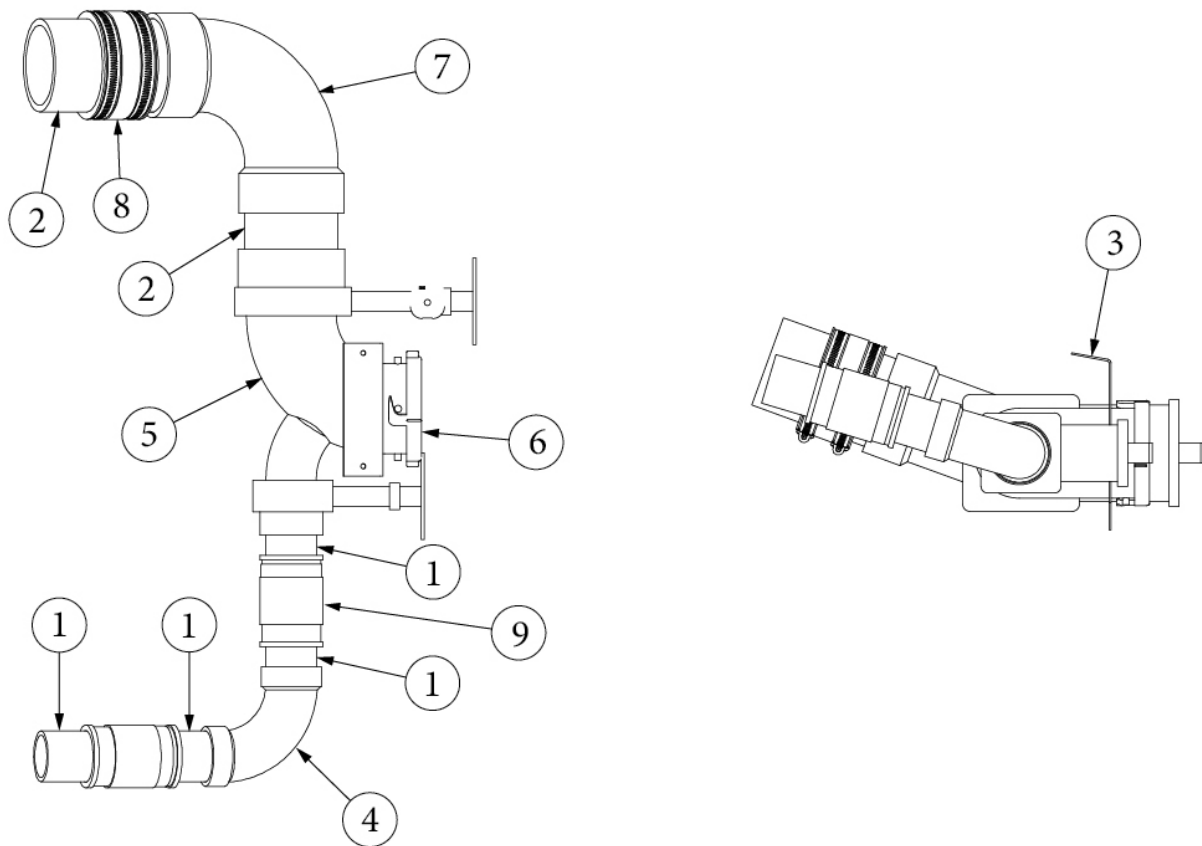
113896	Install, Holding Tanks (note for order/see parts below)
1. 602907	Tank, Grey water
2. 602908	Tank, Black water
3. 455904	Bracket, Holding Tanks, Forward 1
4. 455905	Bracket, Holding Tanks, Forward 2
5. 455906	Bracket, Holding Tanks, Center
6. 455907	Bracket, Holding Tanks, Rear
7. 455908	Weldment, Holding Tank, Grey
8. 455909	Weldment, Holding Tank, Black
9. 455967	Bracket, Grey Tank, Rear
10. 514051-09	Sender Pad, Seelevel, 9"
11. 514074	Heater Pad, Tank, 25-Gallon Max
514069	Heater Pad, Pipe Elbow, Waste Tank 13 x 3"
514073	Heater Pad, Pipe Elbow, Gray Tank, 8 x 3"
602944	Nozzle, Waste Tank Flush
382889	Exhaust Heat Shield Kit
360389	Undercoating, 3M, 16 Oz #03584
365417	Tape, 3M, Extreme Sealing
602429	Grommet, Tank Fitting, 1.5"
602917	Grommet, Tank Fitting, 3"
602958	Tank Fitting, Flush Spin, 1.5"

Sewer Hose, Carrier

113991	Install, Sewer Hose Carrier (note for order/see parts below)
602941	Sewer hose, Rhinoflex, 15', w/elbow & caps
602935	Sewer hose carrier, Super slider, Black, 43" - 80"
455929	Bracket, Sewer hose carrier, Forward
455930	Bracket, Sewer hose carrier, Aft
382865	Cotter pin, Zinc plated steel

PLUMBING, DRAIN SYSTEM

Waste Drain Plumbing, Dump Valve



113848

Install, Waste Drain Plumbing (note for order/see parts below)

- | | |
|---------------|--|
| 1. 601160-02 | Pipe, ABS, DVW, 1-1/2" |
| 2. 601160-04 | Pipe, ABS, DVW, 3" |
| 3. 116425 | Bracket, Dump Valve |
| 4. 600035 | Ell Long Sweep, ABS, 1-1/2" |
| 514073 | Heater Pad, Pipe Elbow, Gray Tank, 8 x 3" |
| 5. 601482 | Dump Valve, Rotating Assembly |
| 601482-100 | Valve Handle, Black, For 601482 |
| 601482-102 | Dump Valve Handle, Grey, For 601482 |
| 601482-103 | Strap, Black, For 601482 |
| 6. 601482-101 | Cap, 3" Termination, W/Strap, For 601482 |
| 7. 600183 | Ell Long Sweep, ABS, 3" |
| 514069 | Heater Pad, Pipe Elbow, Waste Tank 13 x 3" |
| 8. 600289 | Calder Coupling 3" (Rubber) |
| 9. 602201 | Coupling, Flexible 1.5", #A256-15 |
| 513103 | Light bar, LED, Waste Tank Courtesy light |

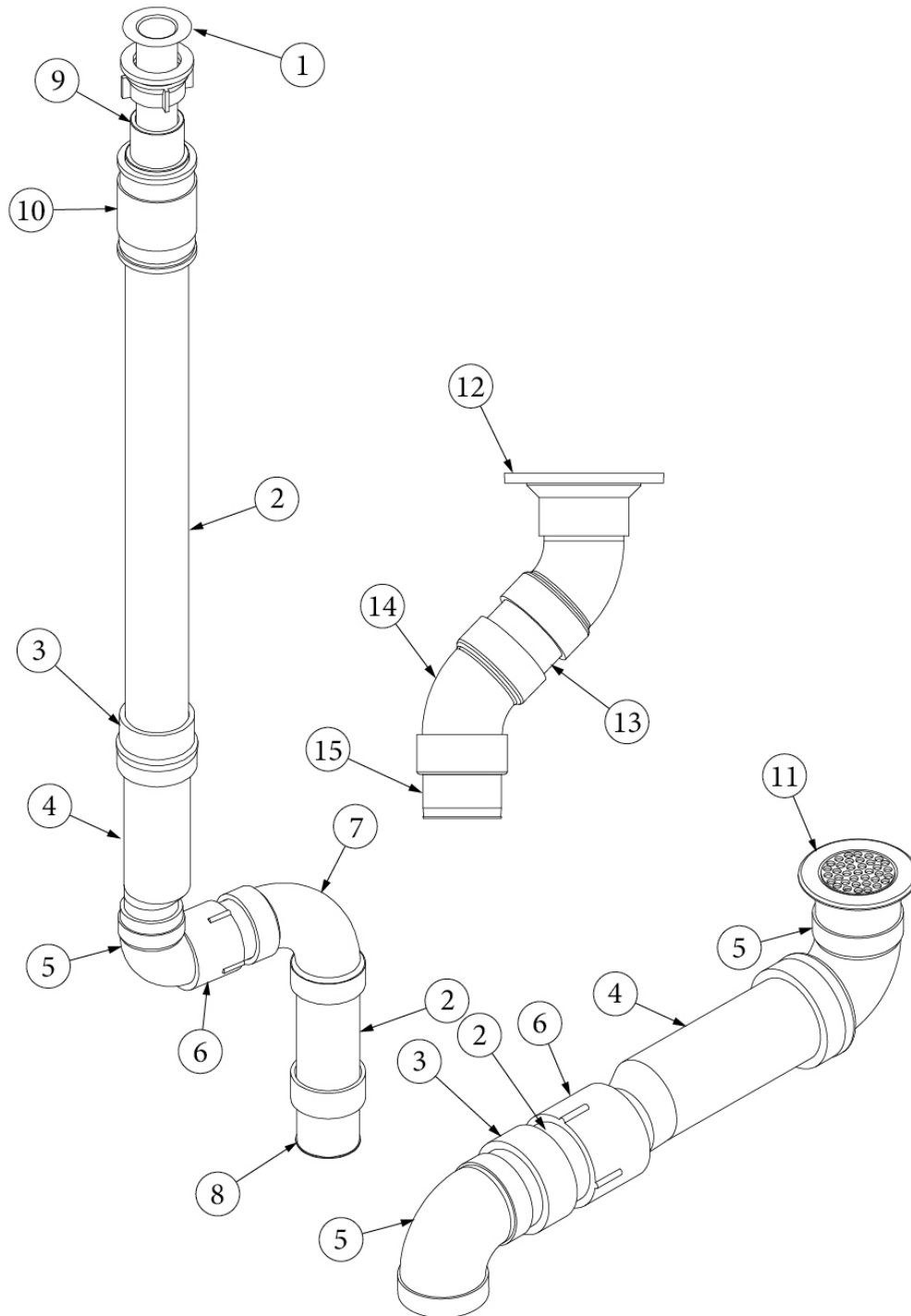
PLUMBING, DRAIN SYSTEM

Drain System, Galley Side

113871	Install, Plumbing, Galley (note for order/see parts below)
1. 601160-02	Pipe, ABS DVW, 1-1/2"
2. 600030	Elbow, ABS, 45-Degree
3. 600035	Elbow, ABS, 90-Degree, Long Sweep
4. 600094	WYE, 1-1/2"
5. 600156	Tee, Sanitary, 1-1/2"
6. 601636	Elbow, 90-Degree, Short Sweep
7. 602430	Couplet, Barbed, 1.5"
8. 602523	Adapter, Trap, Hub and Slip, 1.5"
9. 602524-76	Flexhaust, Flexible hose, 76"
10. 600594-02	Drain, w/Strainer
11. 602201	Coupling, Flexible 1.5"
12. 602212	Adapter, 1.5" FPT x 1.5" SLIP PVC
13. 602214	Adapter, 1.5" MPT x 1.5" SLIP PVC
14. 602287-01	Adapter, Swivel, 1.5" x 1.5" FPT
15. 690603-01	Waste valve, Hepvo, Hygienic, S/S

PLUMBING, DRAIN SYSTEM

Drain System, Shower Side



Parts Listed on Next Page

PLUMBING, DRAIN SYSTEM

Drain System, Shower Side

135104

Install, Drain, Shower Side (note for order/see parts below)

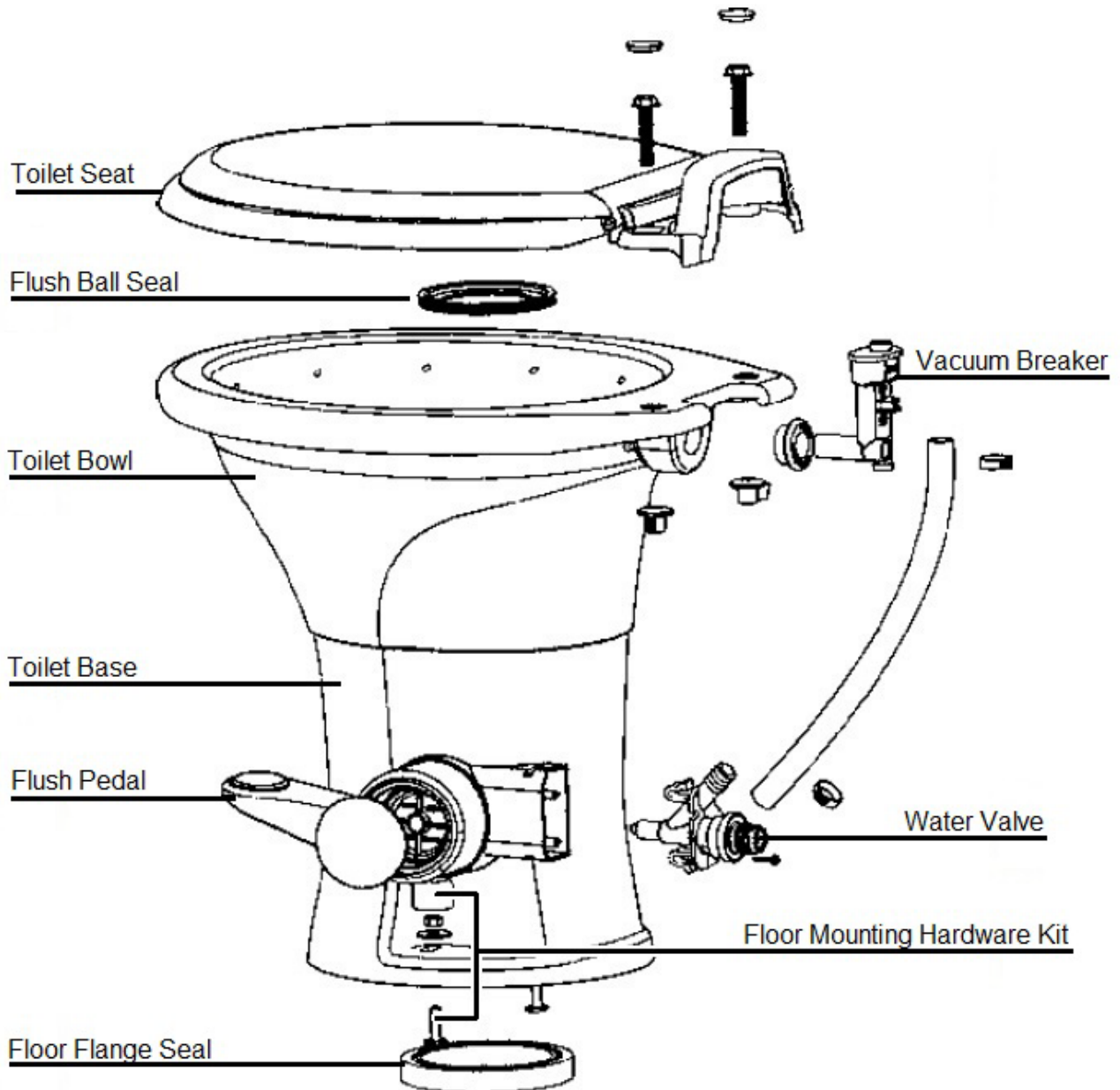
1. 602952 Drain, 5" x 1-1/4"
2. 601160-02 Pipe, ABS DVW, 1-1/2"
3. 602214 Adapter, 1.5" MPT x 1.5" SLIP PVC
4. 690603-01 Waste valve, Hepvo, Hygienic, S/S
5. 690603-02 Adapter, Angle, Hepvo
6. 602212 Adapter, 1.5" FPT x 1.5" SLIP PVC
7. 600035 Elbow, ABS, 90-Degree, Long Sweep
8. 602430 Couplet, Barbed, 1.5"
9. 602962 Socket Adapter, 1.5"
10. 602201 Coupling, Flexible 1.5"
11. 602957 Drain, Shower, w/Mesh strainer
12. 601266 Flange, Toilet
13. 601160-04 Pipe, ABS, 3", 3.75"
14. 602684 45-Degree Street Elbow, ABS
15. 602920-01 Grommet, Tank slip fitting, Adapter, 3"

PLUMBING, DRAIN SYSTEM

Toilet

690707
601266

Toilet, Dometic 301, Short height, White
Flange closet, 3x4, Slip fit



SEALERS AND GASKETS

Sealers

360258	Sealant, Acrylic latex caulk, White
365330-01	Sealant, RTV Silicone, White
365330-02	Sealant, RTV Silicone, Silver
365330-04	Sealant, RTV Silicone, Black
360255-04	Sealer, Anti-wick
365417	Tape, 3M, Extreme Sealing
28433W	Walbernize Super Seal and Glaze, Wax
28430W-01	Sealant, Acryl-R, Gray, 16 oz. can

Gaskets

382888	Gasket, Pass Thru Cover
382860-01	Gasket, Sprayer Port
382809-04	Gasket, City Water Fill
365338	Gasket, Waste Tank Flush
382337	Gasket, Corlon Vent Cap
382840	Gasket, Enclosure Box Lid
382870	Gasket, King Ant Prewire

BEDDING, PILLOWS

Mattresses, Bed

705008-01	Mattress, Large, 54.88 x 52.5"
705008-02	Mattress, Small, 19 x 52.5"
705010	Mattress, Pop Top, 74 x 52.5"

UPHOLSTERY

Front Seat Closeouts

113802	Install, Front Seat Closeout (note for order/see parts below)
455874	Closeout, Front Seat, CS, Upper
455875	Closeout, Front Seat, RS, Upper
455876	Closeout, Front Seat, CS, Lower
455877-01	Closeout, Front Seat, RS, Lower
455877-02	Closeout, Front Seat, RS, Lower Lip
101115	Sheet Aluminum, .06 x 48 x 120"
704854	Carpet, Black, PSA, w/Liner
345526	Screw, #8 x .375", #2 Drive Black

Captain's Chairs, Cabin

704995-D	Driver seat recover kit, 3-PT, Admiral Navy
704995-P	Passenger seat recover kit, 3-PT, Admiral Navy
705000-D	Driver seat recover kit, 3-PT, Moonstone Grey
705000-P	Passenger seat recover kit, 3-PT, Moonstone Grey

Bench Seat

704997	Bench Seat, Admiral Navy
705001	Bench Seat, Moonstone Grey

DECOR BOARDS

Décor Board, Admiral Navy

RAM

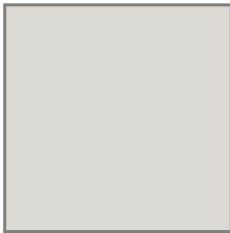
Wood: 53 River Oak / Seating Color: Admiral Navy

RANGELINE

112803-36 RLN RAM

53
COLORLESS

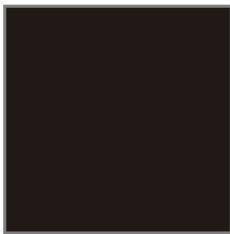
MATERIALS & LAMINATES



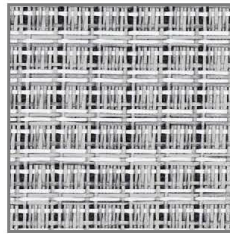
ITEM: Grey 1500 Horizontal Laminate
PART NUMBER: 802671 – 4'x8'
VENDOR: Wilsonart
VENDOR P/N: 1500-60-350
WHERE USED: Countertop, Walls, Cabinets and Table
NOTE: HORZ grade (350) and used on TT



ITEM: Planked Urban Oak Horizontal Laminate
PART NUMBER: 802672
VENDOR: Formica
VENDOR P/N: 9312-12-PG
WHERE USED: Galley, Bed bases, and overheads
NOTE: (PG) – Pure Grain finish HORZ



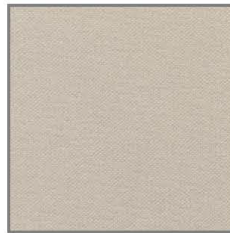
ITEM: Black Laminate
PART NUMBER: 99900P-2118
VENDOR: Wilsonart
VENDOR P/N: 1595-60-335
WHERE USED: Rear Screen Closeout
NOTE: Only laminate not horizontal in unit



ITEM: Frosted Mink Flooring
PART NUMBER: 704593
VENDOR: Infinity
WHERE USED: Thru-out Unit



ITEM: Admiral Main Seating
PART NUMBER: 704984
VENDOR: Nassimi / Premier
VENDOR P/N: SCL - 001
WHERE USED: Bench seat and front seat recovers



ITEM: Notion Fog Seating Insert
PART NUMBER: 704986
VENDOR: Nassimi / Premier
VENDOR P/N: SNO-011
WHERE USED: Inserts for the bench and front recovers



ITEM: Window Coverings
PART NUMBER: 705011
VENDOR: Automotion
VENDOR P/N:
WHERE USED: Slider, bench seat, and bedroom
NOTE: Same fabric is used on rear screen 704007 (302 Rated)



ITEM: Ceiling Pad Vinyl
PART NUMBER: 705014-02
VENDOR: Sprading
VENDOR P/N: 708152 Leon Ebony
WHERE USED: Ceiling Pads
NOTE: Use laminated goods



ITEM: Awning
PART NUMBER: 704993
VENDOR: Thule / Lippert
VENDOR P/N: 2022011456
WHERE USED: All Rangeline
NOTE:

UPHOLSTERY, ULTRALEATHER, DÉCOR BOARDS

Décor Board, Moonstone Gray

RAM

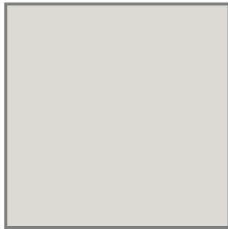
Wood: 53 River Oak / Seating Color: Moonstone Gray

RANGELINE

112803-36 RLN RAM

53
COLORLESS

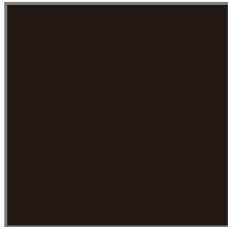
MATERIALS & LAMINATES



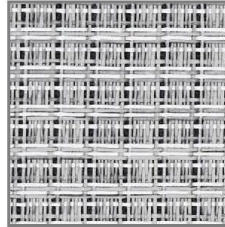
ITEM: Grey 1500 Horizontal Laminate
PART NUMBER: 802671 – 4'x8'
VENDOR: Wilsonart
VENDOR P/N: 1500-60-350
WHERE USED: Countertop, Walls, Cabinets and Table
NOTE: HORZ grade (350) and used on TT



ITEM: Planked Urban Oak Horizontal Laminate
PART NUMBER: 802672
VENDOR: Formica
VENDOR P/N: 9312-12-PG
WHERE USED: Galley, Bed bases, and overheads
NOTE: (PG) – Pure Grain finish HORZ



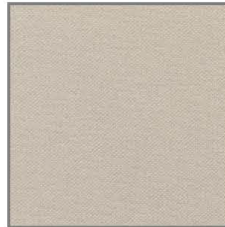
ITEM: Black Laminate
PART NUMBER: 99900P-2118
VENDOR: Wilsonart
VENDOR P/N: 1595-60-335
WHERE USED: Rear Screen Closeout
NOTE: Only laminate not horizontal in unit



ITEM: Frosted Mink Flooring
PART NUMBER: 704593
VENDOR: Infinity
WHERE USED: Thru-out Unit



ITEM: Moonstone Main Seating
PART NUMBER: 704985
VENDOR: Nassimi / Premier
VENDOR P/N: SCL - 220
WHERE USED: Bench seat and front seat recovers



ITEM: Notion Fog Seating Insert
PART NUMBER: 704986
VENDOR: Nassimi / Premier
VENDOR P/N: SNO-011
WHERE USED: Inserts for the bench and front recovers



ITEM: Window Coverings
PART NUMBER: 705011
VENDOR: Automotion
VENDOR P/N:
WHERE USED: Slider, bench seat, and bedroom
NOTE: Same fabric is used on rear screen 704007 (302 Rated)



ITEM: Ceiling Pad Vinyl
PART NUMBER: 705014-02
VENDOR: Sprading
VENDOR P/N: 708152 Leon Ebony
WHERE USED: Ceiling Pads
NOTE: Use laminated goods



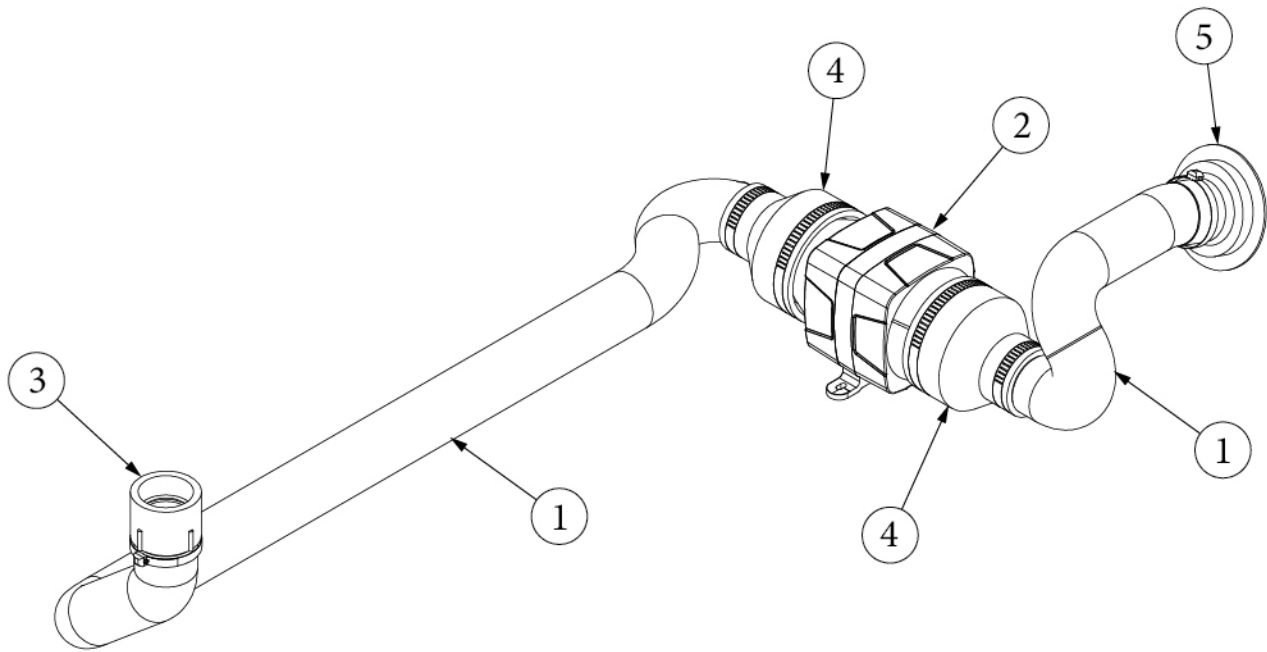
ITEM: Awning
PART NUMBER: 704993
VENDOR: Thule / Lippert
VENDOR P/N: 2022011456
WHERE USED: All Rangeline
NOTE:

VENTS AND FANS

Vent, Waste Tank

690700-02 204312 382337	Tank vent cap, Rooftop, Black Spacer, Tank Vent, Roof Gasket, Corlon Vent Cap, Roof
-------------------------------	---

Exhaust Fan, Bath



135093

Install, Shower Vent (note for order/see parts below)

- | | |
|---|---|
| 1. 602479
2. 514066
3. 602212
4. 602953
5. 690429
204312
382337
455938
340084-36
601160-02 | Foil Duct, 2"
Vent, In Line Blower, 3"
Adapter, 1.5" FPT x 1.5", Slip PVC
Reducer, 3 x 1.5", Flex, W/SS clamps
Louver, Black Round, 2"
Spacer, Tank Vent, Roof
Gasket, Corlon Vent Cap, Roof
Plate, Mount, Vent cap, Roof
Clamp, Hose, 2.75"
Pipe, ABS DVW, 1-1/2" |
|---|---|

VENTS AND FANS

Ceiling Vent Fan

113960	Install, Maxxair Fan (note for order/see parts below)
382730	Vent, Maxxair Fan, 6401K
382730-01	Shroud, Trim ring, Vent, Maxxair, Black
455917-01	Bracket, Maxxair Fan, Side
455917-02	Bracket, Maxxair Fan, Center
330137	Rivet, Blind Pop, AD 41-43 BSMG
345558	Screw, #8-32x.5" Black Phillips, #0703-0
300192	Washer, Flat, #8 Screw Size
350204	Nut, Nylock, #8-32 Blk Ss #0702

Ceiling Vent Fan, Pop Top

382730	Vent, Maxxair, 6401K
204338	Trim ring, Pop top
382730-01	Shroud, Vent, Maxxair, Black

PANELING, EDGEBANDING, LAUAN

Paneling

802688	Laminate, Planked Urban Oak, 18mm
802689	Laminate, 1500 GREY (X2), 12MM
802690	Laminate, 1500 GREY (X2), 18MM
802694	Laminate, 1500 GREY/WHT LNR, 12MM
802695	Laminate, 1500 GREY/WHT LNR, 18MM
802722	Laminate, PLNK URB OAK/BLK, 18MM
802726	Laminate, PLNK URB OAK/BKR, 6MM
802727	Laminate, BLACK/BKR-6MM
802233	Panel, Azdel, Composite, 2.7mm x 4' x 8'

Edgebanding

386570-01	Edgebanding, 1500 Grey, 5/8"
386570-02	Edgebanding, 1500 Grey, 15/16"
386572-01	Edgebanding, Plank Urban Oak, 5/8"
386572-02	Edgebanding, Plank Urban Oak, 15/16"

Lauan

800507-02	Lauan, 1/4 x 4' x 8'
-----------	----------------------

Plywood

800506-04	Plywood, .5" x 4' x 8'
800506-06	Plywood, 3/4" x 4' x 8'
801345	Radius Plywood, .75" x 3" x 8'
801351	Plywood, Lite, .75" x 4' x 8'
802280	Ply, Bendable, .38" x 8' x 4' Barrel

TRIMS AND TOUCH-UP

Trim

114070	J-trim, Extrusion, Mill finish
203445	T-molding, 9/16", Black
203942-03	T-molding, 13/16", Black
116448	J-Channel, Satin, 7/16" x 12'

Touch-up

360301-45	Seamfil, Wilson Art, Grey 1500
360301-46	Seamfil, Formica, Planked Urban Oak
360406-04	Fil-Stik, Macchiato (Earthstone)
360406-20	Fil-Stick, Ash
365504-02	Stain Marker, Lunar Grey
365504-05	Stain Marker, Natural Light Oak/Chesnut
381610-06	Cover, Cap, Grey
203462-04	Screw Cover, PVC, Urban Oak
381081-04	Cap, Snap Top, White #8