

# AIRSTREAM®

**2024 Interstate 24**

**Tommy Bahama**

**Parts Book**



# TABLE OF CONTENTS

## **APPLIANCES .....1**

AIR CONDITIONER .....	1
GENERATOR.....	1
REFRIGERATOR, GL .....	2
REFRIGERATOR, GT .....	2
MICROWAVE AND COOKTOP .....	2
FURNACE.....	2
WATER HEATER.....	2
HYDRONIC SYSTEM, ABOVE FLOOR, GL, E1 PACKAGE OPTION .....	3
HYDRONIC SYSTEM, BELOW FLOOR, GL, E1 PACKAGE OPTION.....	4
HYDRONIC SYSTEM, ABOVE FLOOR, GT, E1 PACKAGE OPTION .....	6
HYDRONIC SYSTEM, BELOW FLOOR, GT, E1 PACKAGE OPTION.....	7

## **EXTERIOR SHELL .....9**

EXTERIOR COMPONENTS, GL .....	9
EXTERIOR COMPONENTS, GL, E1 PACKAGE OPTION .....	11
EXTERIOR COMPONENTS, GT .....	13
EXTERIOR COMPONENTS, GT, E1 PACKAGE OPTION.....	15
MEDALLIONS.....	17
WINDOW BLACKOUTS.....	17
REAR BUMPER PROTECTOR FILM .....	17
7-WAY BRACKET .....	17
CHROME INSERTS, BODY KIT .....	17
MOLDING, BODY .....	18
FRONT BUMPER.....	20
AIR DAM, FRONT BUMPER .....	20
MOLDING, REAR BUMPER .....	21
BODY KIT .....	22
BODY KIT, E1 PACKAGE OPTION .....	24
SS TRIM, BELTLINE, GL.....	26
SS TRIM, BELTLINE, GT.....	27

## **INTERIOR SHELL .....28**

WINDOWS, PILLAR, AND ROOF CLOSEOUTS .....	28
VANITY VISOR MIRROR .....	28
DASH TRIM KIT.....	28
BACKSPLASH .....	28
WALL PANELS, GL .....	29
WALL PANELS, GL, E1 PACKAGE OPTION .....	29
WALL PANELS, GT .....	29
WALL PANELS, GT, E1 PACKAGE OPTION.....	29
CARGO LINER .....	30
WINDOW BOXES, GL.....	30
WINDOW BOXES, GT .....	30
FLOOR ASSEMBLY, GL.....	31
FLOOR ASSEMBLY, GT .....	32
CEILING PANELS, GL.....	33
CEILING PANELS, GT.....	34
CUBBY/CHARGING STATION.....	35
STEP CLOSE-OUT ASSEMBLY, GL.....	36

STEP CLOSE-OUT ASSEMBLY, GT.....	37
<b>CHASSIS .....</b>	<b>38</b>
AIR RIDE SYSTEM.....	38
WHEELS.....	38
DRIVER AND PASSENGER STEPS.....	38
POWER STEP.....	38
ENTRY STEPS, DRIVER AND PASSENGER.....	39
ENTRY STEPS, DRIVER AND PASSENGER, E1 PACKAGE OPTION.....	40
BATTERY CRADLE, E1 PACKAGE OPTION.....	41
STEP WELL.....	42
EXHAUST SYSTEM.....	42
SKID BAR ASSEMBLY.....	42
PARKTRONIC SENSOR.....	42
LEVELING JACKS.....	43
<b>EXTERIOR DOORS.....</b>	<b>44</b>
DOOR PANELS, SLIDING DOOR.....	44
EXTERIOR DOORS.....	45
SCREEN DOOR, GL.....	46
SCREEN DOOR, GT.....	47
SCREEN DOOR, REAR POWER KIT.....	49
<b>WINDOWS .....</b>	<b>50</b>
WINDOWS.....	50
<b>AWNINGS .....</b>	<b>51</b>
AWNINGS.....	51
<b>WINDOW COVERINGS .....</b>	<b>52</b>
POWER SHADES.....	52
COCKPIT WINDOW SHADES AND HARDWARE.....	52
<b>ELECTRICAL, 110 VOLT.....</b>	<b>53</b>
POWER CENTER.....	53
ENERGY MANAGEMENT SYSTEM.....	53
SHORELINE HOOKUP.....	53
INVERTER.....	53
RECEPTACLES AND USB PORTS.....	54
BREAKERS, 110V.....	54
<b>ELECTRICAL, 12 VOLT.....</b>	<b>55</b>
BATTERY.....	55
BATTERY, E1 PACKAGE OPTION.....	55
CHASSIS & HOUSE CHARGING.....	55
ALTERNATOR, SECONDARY.....	56
ALTERNATOR, SECONDARY, E1 PACKAGE OPTION.....	56
VOLTA COMPONENTS, E1 PACKAGE OPTION.....	56
FIREFLY SYSTEM.....	57
SOLAR SYSTEM.....	57
BREAKERS, 12V.....	58

FUSES.....	58
CABLE KITS, MAIN 12VDC.....	58
MONITOR PANEL.....	58
SWITCHES AND RELAYS.....	59
BUZZER.....	59
EXTERIOR UTILITY COMPARTMENT SWITCH PANEL.....	60
INTERIOR LIGHTS.....	61
LED FLEX TAPE LIGHTS.....	61
EXTERIOR LIGHTS.....	61
REARVIEW MONITOR CAMERA.....	62

**ENTERTAINMENT .....63**

AUDIO.....	63
VIDEO.....	63
FORWARD TV, GL.....	64
REAR TV, GL.....	64
FORWARD TV, GT.....	65
REAR TV, GT.....	65
CONNECTED KIT AFTERMARKET, FOR PREWIRED UNITS.....	65

**FLOOR COVERINGS.....66**

FLOOR COVERING.....	66
---------------------	----

**FURNITURE, INTERIOR DOORS AND MIRRORS .....67**

INTERIOR DOORS.....	67
ROOF LOCKER DOORS.....	67
MIRRORS.....	67

**FURNITURE, LAVATORY .....68**

WET BATH MODULE, GL.....	68
WET BATH MODULE, GL, E1 PACKAGE OPTION.....	69
WET BATH MODULE, GT.....	70
WET BATH MODULE, GT, E1 PACKAGE OPTION.....	72
WASTE TANK COVER, LAVATORY.....	74
SHOWER MODULE, GL.....	75
SHOWER MODULE, GT.....	75
LAVATORY DOOR, AFT.....	76

**FURNITURE, GALLEY .....77**

GALLEY INSTALL, GL.....	77
GALLEY CABINET, GL.....	78
GALLEY INSTALL, GL, E1 PACKAGE OPTION.....	81
GALLEY CABINET, GL, E1 PACKAGE OPTION.....	82
GALLEY INSTALL, GT.....	85
GALLEY INSTALL, GT, E1 PACKAGE OPTION.....	86
GALLEY CABINET, ALL MODEL GT'S.....	87
REFRIGERATOR CABINET, GT.....	90
PANTRY/WARDROBE, RS, GT.....	91
PANTRY/WARDROBE, RS, GT, E1 PACKAGE OPTION.....	93
GALLEY BAR.....	95

**FURNITURE, LOUNGE .....96**

DINETTE SEAT, RS.....	96
DINETTE SEAT, RS, E1 PACKAGE OPTION .....	98
DINETTE SEAT, CS.....	100
SOFA BASE/CLOSEOUT, GL.....	102
SOFA BASE/CLOSEOUT, GL, E1 PACKAGE OPTION .....	103
SOFA BASE/CLOSEOUT, GT .....	104
SOFA BASE/CLOSEOUT, GT, E1 PACKAGE OPTION .....	105
PEDESTAL TABLE, GL.....	106
PEDESTAL TABLE, GT.....	107
PEDESTAL TABLE, REAR .....	108
MAGAZINE RACK, LOWER CS .....	109
MAGAZINE RACK, LOWER RS .....	110
ROOF LOCKER, REAR .....	111
ROOF LOCKER, RS FORWARD, GT.....	113
ROOF LOCKER, RS FORWARD, GT, E1 PACKAGE OPTION .....	115
ROOF LOCKER, RS FORWARD, GL .....	117
ROOF LOCKER, RS FORWARD, GL, E1 PACKAGE OPTION.....	119
ROOF LOCKER, RS AFT, GL.....	121
ROOF LOCKER, CS FORWARD, GL .....	122
ROOF LOCKER, CURBSIDE, GL .....	123
ROOF LOCKER, CS, GT.....	125
ROOF LOCKER, RS, EXTRA SEAT OPTION, GT .....	127

**HARDWARE..... 128**

SEAT BELTS, CUP HOLDERS, AND BRACKETS .....	128
SOFA .....	128
BATH ACCESSORIES .....	128
SHOWER CURTAIN.....	128
CLOTHESLINE.....	128
STORAGE CUBBY.....	128
CARGO COVER.....	129
HINGES .....	129
DRAWER SLIDES.....	129
TOMMY BAHAMA PRODUCT PACKAGE .....	130
INTERIOR HANDLES, LATCHES, AND FASTENERS.....	131
RIVETS.....	133
SCREWS .....	134

**SAFETY EQUIPMENT ..... 135**

DETECTORS AND FIRE EXTINGUISHER .....	135
---------------------------------------	-----

**LABELS AND TAGS ..... 136**

LABELS AND TAGS .....	136
LABELS AND TAGS, E1 PACKAGE OPTION.....	137

**PLUMBING, LPG SYSTEM ..... 138**

TOROIDAL LPG TANK .....	138
LPG REMOTE FILL.....	138
LPG SYSTEM, GL.....	139
LPG SYSTEM, GT.....	140

**PLUMBING, FRESH WATER SYSTEM ..... 141**

FAUCET AND SINK, GALLEY, GL.....	141
----------------------------------	-----

FAUCET AND SINK, GALLEY, GT .....	141
FAUCET, WET BATH .....	141
EXTERIOR SHOWER.....	141
WATER MANAGEMENT PANEL .....	142
FRESH WATER TANK.....	142
FRESH WATER LINES, GL.....	143
FRESH WATER LINES, GL, E1 PACKAGE OPTION .....	144
FRESH WATER LINES, GT.....	145
FRESH WATER LINES, GT, E1 PACKAGE OPTION .....	146
FRESH WATER FITTINGS .....	147

**PLUMBING, DRAIN SYSTEM ..... 149**

HOLDING TANKS .....	149
WASTE TANK FLUSH .....	149
WASTE TANK COVER .....	150
MACERATOR PUMP SYSTEM .....	151
DRAIN SYSTEM, BELOW FLOOR, GL.....	152
DRAIN SYSTEM, ABOVE FLOOR, GL .....	154
DRAIN SYSTEM, BELOW FLOOR, GT .....	156
DRAIN SYSTEM, ABOVE FLOOR, GT .....	158
TOILET .....	160

**SEALERS AND GASKETS..... 161**

SEALERS .....	161
GASKETS .....	161
UNDERCOATING .....	161

**BEDDING, PILLOWS ..... 162**

BEDSPREAD AND SHEETS .....	162
PILLOWS .....	162
COCKPIT BED .....	162

**UPHOLSTERY ..... 163**

CAPTAIN’S CHAIRS, CABIN .....	163
CAPTAIN’S CHAIRS, 2 <sup>ND</sup> ROW .....	163
SOFA, POWER .....	163
OTTOMANS .....	163

**DÉCOR BOARDS ..... 164**

DÉCOR BOARD, TOMMY BAHAMA.....	164
--------------------------------	-----

**VENTS AND FANS ..... 165**

WASTE TANK VENT .....	165
FURNACE VENT.....	165
REFRIGERATOR VENT .....	165
EXHAUST FAN, BATH .....	166
CEILING VENT FAN .....	167

**PANELING, EDGEBANDING, LAUAN..... 168**

PANELING.....	168
EDGEBANDING .....	168

LAUAN .....168  
PLYWOOD .....168

**TRIMS AND TOUCH-UP ..... 169**

TRIM .....169  
FILL STICKS, STAIN MARKERS, AND SEAMFIL.....170

## APPLIANCES

### Air Conditioner

113965	Install, Air Conditioner (not for order/see parts below)
690795	Air conditioner, Coleman Mach 10, 13.5K BTU, Black
690795-07	Shroud, Exterior, Silver, A/C
690795-02	Control Base, A/C
690708-101	Air Filter, for 690755
690795-04	Ceiling Assembly, Interior, A/C
115397	Frame, Roof Assembly, A/C
500013-01	Clamp, Romex, 3/8" Metal
510564-04	Breaker, Type BRD, BD 20-20
511260	Cover, Weatherproof, Single Gang
512412	Bushing, Snap-In, .75" ID
12372W	Easy start, Micro-Air (Previously 514032)
690699-02	Room temperature sensor
601240-01	Tubing, .5"

### Generator

113615-01	Install, Generator (not for order/see parts below)
514503	ONAN LP Vapor Fuel, RVQG 2500i-50, 2500W
514503-01	Generator Harness Mating Pigtail
510562	Transfer Switch, Generator
513749	Exhaust, Generator, w/tuned Resonator
914404	Exhaust Pipe, S-Bend Only
914398	Resonator Only
914399	Tailpipe Only, Generator, 6.75"
455600	Exhaust Tip Only, Stainless
340073-02	Clamp, Muffler 1.25" (Price Includes Powder Coating)
386377	Isolator, Fail Safe Rubber
411131	Hanger, Flexible Exhaust
455620-01	Mounting, Upper Generator RS
455620-02	Mounting, Upper Generator RS NC
455641	Bracket-LP Regulator
455695	Exhaust Mount
455735	Heat Shield-Ext Gen Exhaust
455826	Plate, Mounting, RS
455827	Plate, Mounting, CS
514142-29	Label, Firefly Warning



## APPLIANCES

### Refrigerator, GL

690749 Refer, Novakool, 12V, 3.1 C.F.

### Refrigerator, GT

690706 Refrigerator/freezer, Novakool  
382297 Vent, 4 x 8, Black plastic  
382298-01 Return grille, 12 x 6, Black

### Microwave and Cooktop

690816-01\* Cooktop, Two Burner, Suburban 3725AST  
514023 Cooktop, Induction, Single Burner, 1000W, E1 Package Option  
690743 Micro-Drawer Type 1.3 CU FT#RV-1000S

\*690816-01 (3725AST) replaces 690816 (3036AST) mid-model year 2025

### Furnace

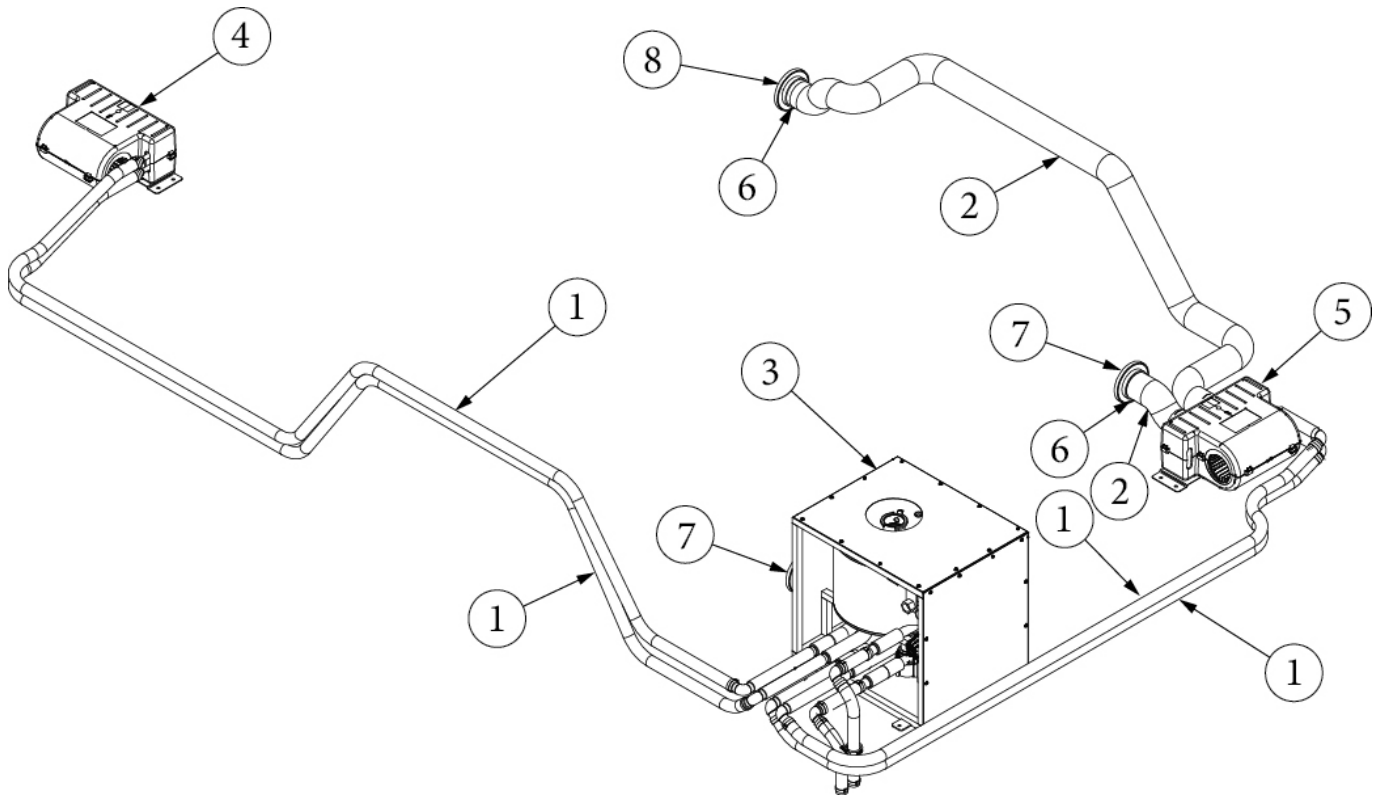
690801 Furnace, 19,000 BTU, Suburban  
690801-100 Grill, Front, Black, for 690801  
365448 Gasket, Furnace vent  
602515 Elbow Brass, Swivel  
455627 Spacer - Furnace Vent - Interstate 24

### Water Heater

690711-07 Water heater, w/DC-DC converter, On-Demand, Suburban, LP  
690711-02 Vent, Water heater  
690711-03 Control center, Water heater, White  
690711-04 Vent cap, 15.5", Water heater  
690711-05 Vent cap, 6.5", Water heater  
203978 Tray, Water heater  
203981 Gasket spacer, Water heater  
365420-01 Gasket, Water heater vent  
385963 Bracket, Mounting angle  
455352 Angle, Floor trim  
704075 3M dual lock fastener  
365222 3M double sided foam tape  
943859 Suburban Water Heater Drain

## APPLIANCES

### Hydronic System, Above Floor, GL, E1 Package Option



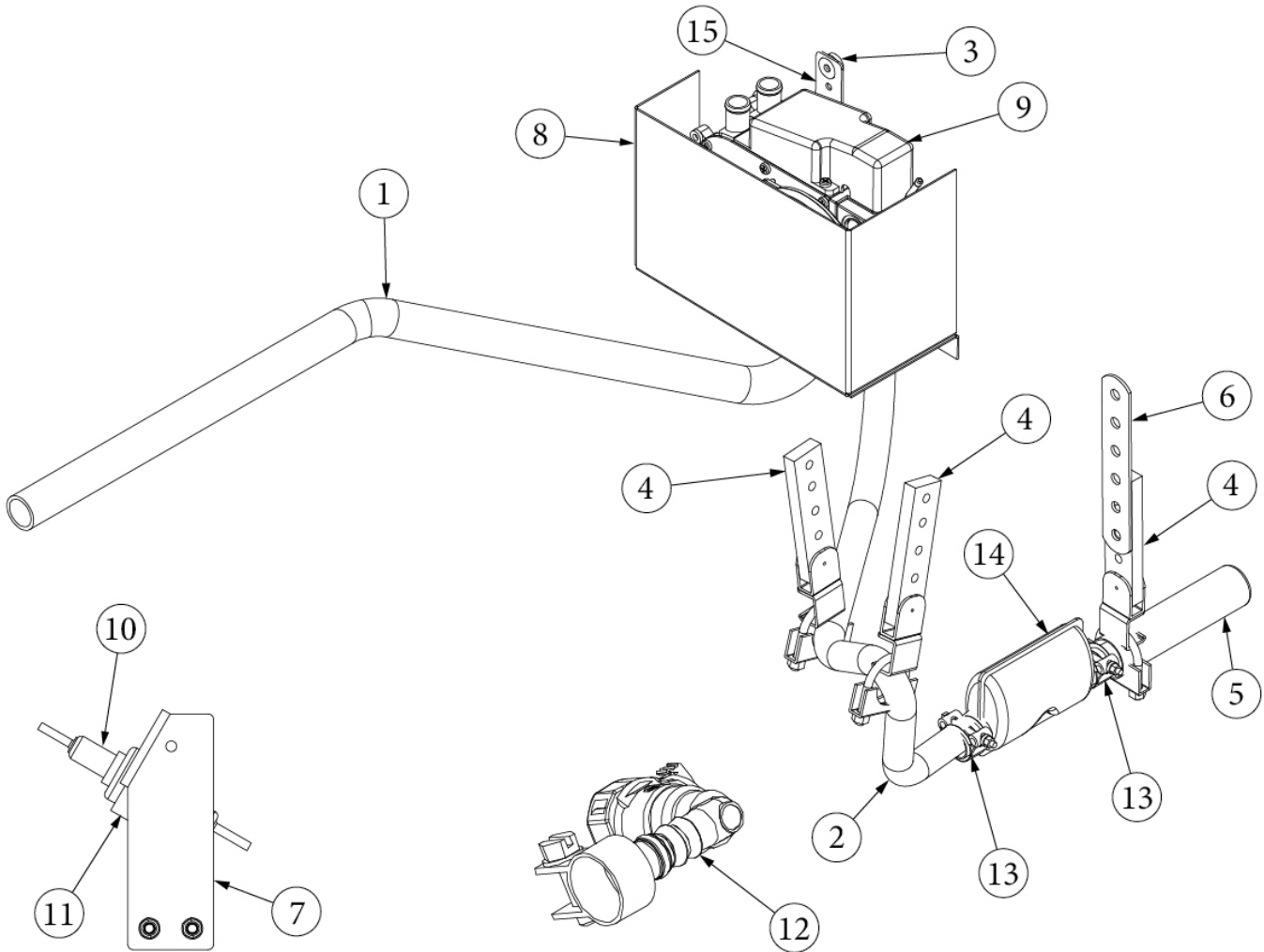
113913-01

Install, Hydronic, Above Floor (not for order/see parts below)

- |              |  |
|--------------|--|
| 1. 602854    | Hose, Heater, 0.75" ID                       |
| 2. 690797-25 | 60mm Ducting, 20m Roll, Timberline           |
| 3. 690797-01 | Module, 2.0, Timberline                      |
| 4. 690797-22 | OZ Air Handler, Timberline                   |
| 5. 690797-23 | OZ Air Handler, Ducted, Timberline           |
| 6. 690797-24 | Outlet Flange, 60mm, Timberline              |
| 7. 690797-33 | Grill, 60mm Slanted, Timberline              |
| 8. 690797-34 | Grill, 60mm, Adjustable, Timberline          |
| 690797-19    | Touch Screen, PU-36, Timberline              |
| 690797-10    | Room Temp Sensor, Timberline                 |
| 690797-11    | Cover, Room Temp Sensor, Timberline          |
| 690797-13    | Spring Clamp, 27mm Hose, Timberline          |
| 690797-29    | Harness, Timberline                          |
| 382758       | Grommet, Locking, 1 - 11/64" ID              |
| 602913       | Elbow, 90 degree, For 3/4" Hose              |
| 360431       | Antifreeze, Century Chemical, 55 Gallon Drum |

# APPLIANCES

## Hydronic System, Below Floor, GL, E1 Package Option



Parts Listed on Next Page

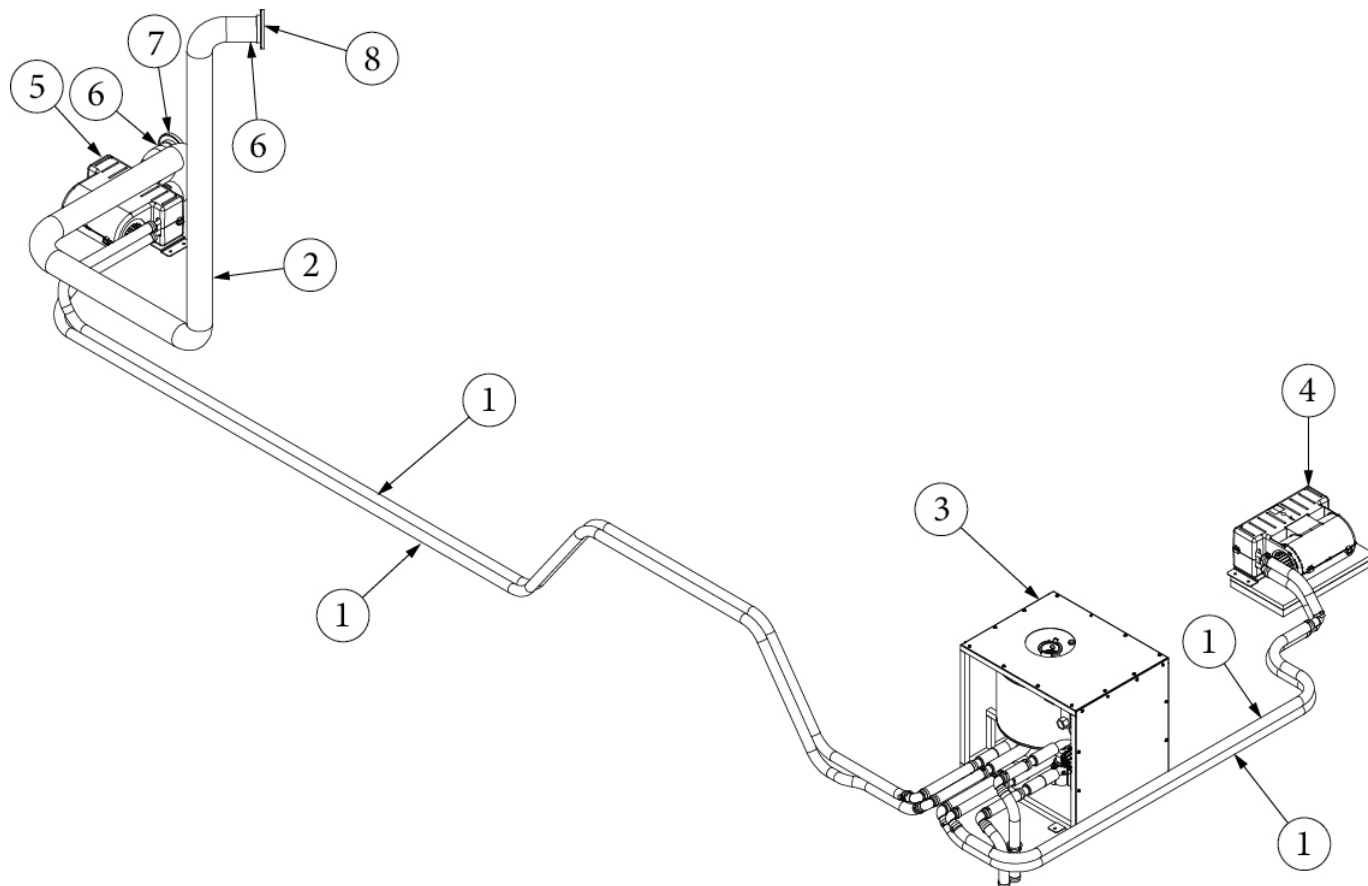
## APPLIANCES

### Hydronic System, Below Floor, GL, E1 Package Option

113913-02	Install, Hydronic, Below Floor (not for order/see parts below)
1. 690797-16	Air Intake, Timberline
2. 690797-14	Exhaust Tubing, 24mm, Timberline
3. 386432	Grommet, Vibration Damping
4. 411131	Hanger, Flexible Exhaust
5. 455600	Exhaust Tip, Generator
6. 455695	Exhaust Mount
7. 455734	Bracket, Fuel Pump
8. 455791	Heater Cover
9. 690797-04	Heater, Binar 5, Diesel, Timberline
10. 690797-06	Fuel Pump, Binar 5, Diesel, Timberline
11. 690797-07	Bracket, Fuel Pump, Timberline
12. 690797-09	Adapter, Fuel Line, Timberline
13. 690797-12	Exhaust Clamp, 24mm, Timberline
14. 690797-15	Muffler, 24mm, Timberline
15. 690797-18	Bracket, Slotted, Autoterm, Timberline
690797-31	Mercedes Fuel Line Adapter
690797-08	Fuel Line, Timberline, 19.5' Roll
455952	Bracket, Elwell Exhaust, Non-leveling, Rear
455953	Bracket, Elwell Exhaust, Non-leveling, Front
300111-25	Washer, Flat 1/4 Inch
340073-02	Clamp, Muffler, 1.25" Black Powder
340314	Clamp, 9/16" to 5/8" #7051227
345276-03	Bolt, Hex. Hd. 1/4-20 X 3/4"
350147-25	Nut, Nylon Lock, 1/4-20

## APPLIANCES

### Hydronic System, Above Floor, GT, E1 Package Option



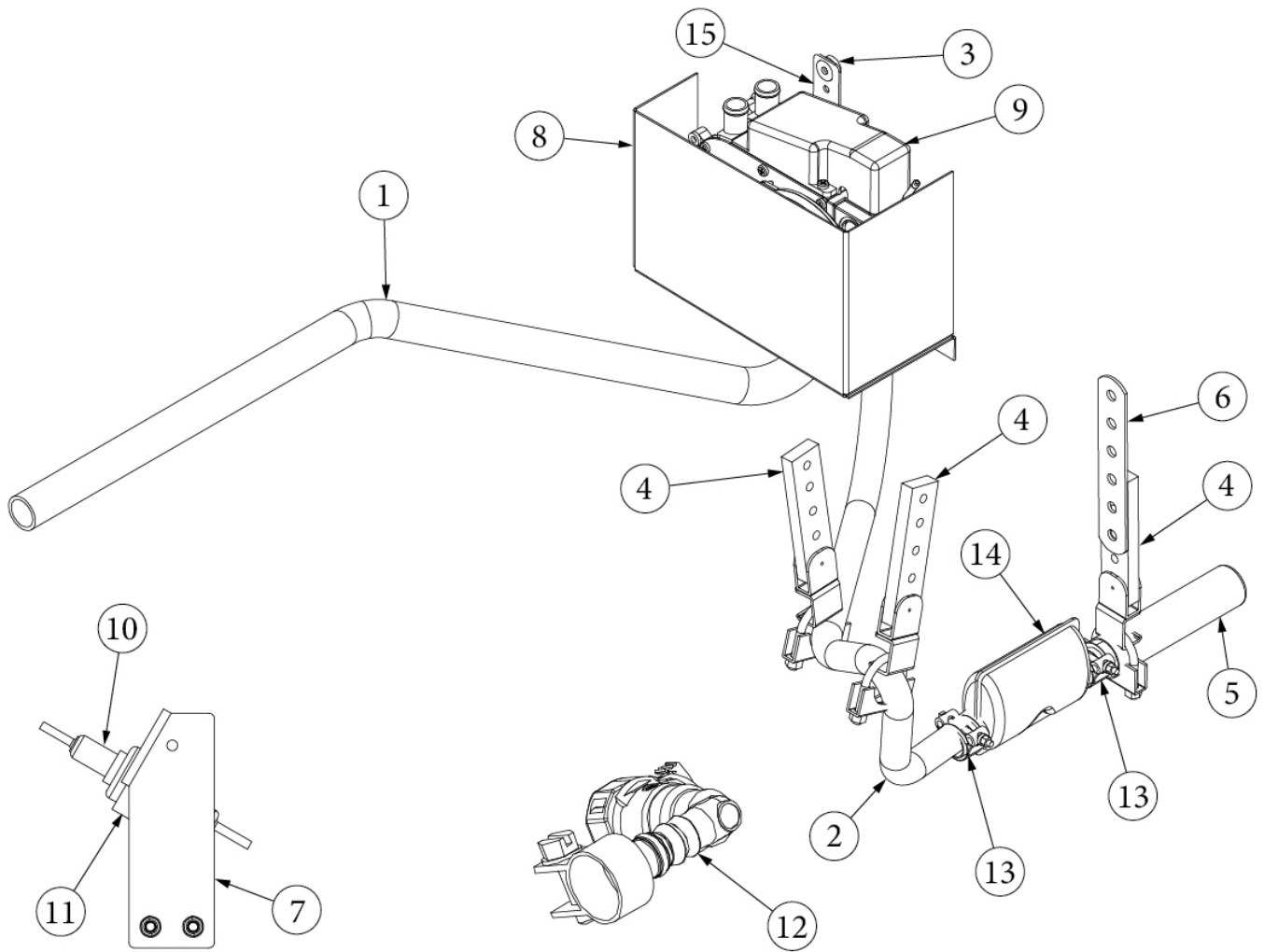
113866-01

Install, Hydronic, Above Floor (not for order/see parts below)

- |  |   |
|--|---|
| <ul style="list-style-type: none"> <li>1. 602854</li> <li>2. 690797-25</li> <li>3. 690797-01</li> <li>4. 690797-22</li> <li>5. 690797-23</li> <li>6. 690797-24</li> <li>7. 690797-33</li> <li>8. 690797-34</li> <li>690797-19</li> <li>690797-10</li> <li>690797-11</li> <li>690797-28</li> <li>690797-13</li> <li>382758</li> <li>602913</li> <li>360431</li> </ul> | <ul style="list-style-type: none"> <li>Hose, Heater, 0.75" ID</li> <li>60mm Ducting, 20m Roll, Timberline</li> <li>Module, 2.0, Timberline</li> <li>OZ Air Handler, Timberline</li> <li>Oz Air Handler, Ducted, Timberline</li> <li>Outlet Flange, 60mm, Timberline</li> <li>Grill, 60mm Slanted, Timberline</li> <li>Grill, 60mm, Adjustable, Timberline</li> <li>Touch Screen, PU-36, Timberline</li> <li>Room Temp Sensor, Timberline</li> <li>Cover, Room Temp Sensor, Timberline</li> <li>Harness, A/S, Timberline</li> <li>Spring Clamp, 27mm Hose, Timberline</li> <li>Grommet, Locking, 1 - 11/64" ID</li> <li>Elbow, 90 degree, For 3/4" Hose</li> <li>Antifreeze, Century Chemical, 55 Gallon Drum</li> </ul> |
|--|---|

# APPLIANCES

## Hydronic System, Below Floor, GT, E1 Package Option



Parts Listed on Next Page

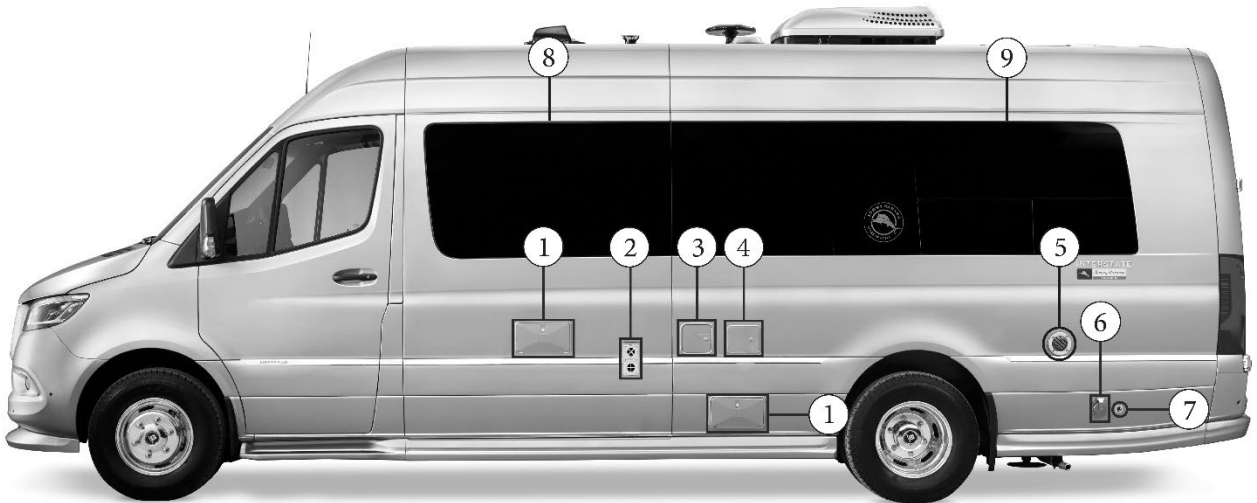
## APPLIANCES

### Hydronic System, Below Floor, GT, E1 Package Option

113866-02	Install, Hydronic, Below Floor (not for order/see parts below)
1. 690797-16	Air Intake, Timberline
2. 690797-14	Exhaust Tubing, 24mm, Timberline
3. 386432	Grommet, Vibration Damping
4. 411131	Hanger, Flexible Exhaust
5. 455600	Exhaust Tip, Generator
6. 455695	Exhaust Mount
7. 455734	Bracket, Fuel Pump
8. 455791	Heater Cover
9. 690797-04	Heater, Binar 5, Diesel, Timberline
10. 690797-06	Fuel Pump, Binar 5, Diesel, Timberline
11. 690797-07	Bracket, Fuel Pump, Timberline
12. 690797-09	Adapter, Fuel Line, Timberline
13. 690797-12	Exhaust Clamp, 24mm, Timberline
14. 690797-15	Muffler, 24mm, Timberline
15. 690797-18	Bracket, Slotted, Autoterm, Timberline
690797-31	Mercedes Fuel Line Adapter
690797-08	Fuel Line, Timberline, 19.5' Roll
455952	Bracket, Elwell Exhaust, Non-leveling, Rear
455953	Bracket, Elwell Exhaust, Non-leveling, Front
300111-25	Washer, Flat 1/4 Inch
340073-02	Clamp, Muffler, 1.25" Black Powder
340314	Clamp, 9/16" to 5/8" #7051227
345276-03	Bolt, Hex. Hd. 1/4-20 X 3/4"
350147-25	Nut, Nylon Lock, 1/4-20

# EXTERIOR SHELL

## Exterior Components, GL



Parts Listed on Next Page



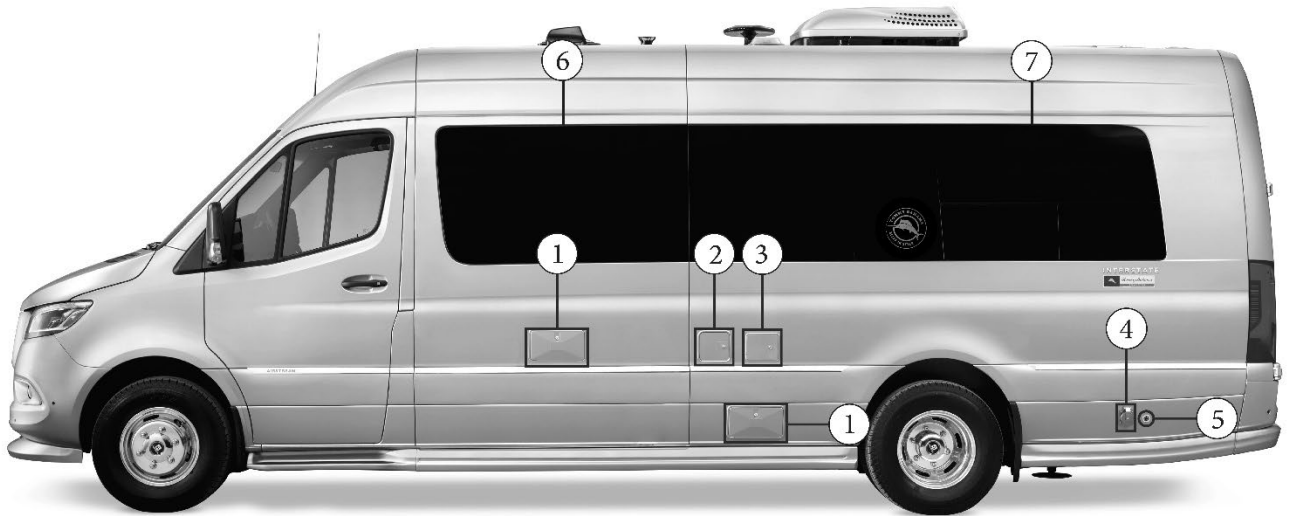
## EXTERIOR SHELL

### Exterior Components, GL

923557S-03	Exterior Shell, GL
1. 381766-9775	Door, Macerator compartment, Silver
381766T	Door, Macerator compartment, Tenorite Grey Metallic
2. 690620-05	Furnace extension kit, 7.25"
3. 602288-9775	Exterior shower box, Silver
602288-01T	Exterior shower box, Tenorite Grey Metallic
4. 382083-9775	Hatch, Electrical switches, Silver
382083T	Hatch, Electrical switch, Tenorite Grey Metallic
5. 690711-04	Vent cap, 15.5", Water heater
6. 513936	Smart plug, Power inlet, 30A, Stainless Steel
7. 513898	Solar Sidewall Port
8. 372301	Window, D1, Vented
9. 372303	Window, D3, Vented
10. 512741-9775	Weatherproof cover w/gasket, Iridium Silver
512741T	Weatherproof cover w/gasket, Tenorite Grey Metallic
11. 455591	LPG remote fill assembly
386373	Decal, On/Off LPG remote fill
512434	Switch, ON/OFF LP valve
12. 513447	Power step, Project 2000
13. 372306	Window, P3, Vented
411004-08	Wheel, Front, Polished outside
411004-09	Wheel, Rear, Polished inside
411004-03	Trim kit, Front
411004-04	Trim kit, Rear

# EXTERIOR SHELL

## Exterior Components, GL, E1 Package Option



Parts Listed on Next Page

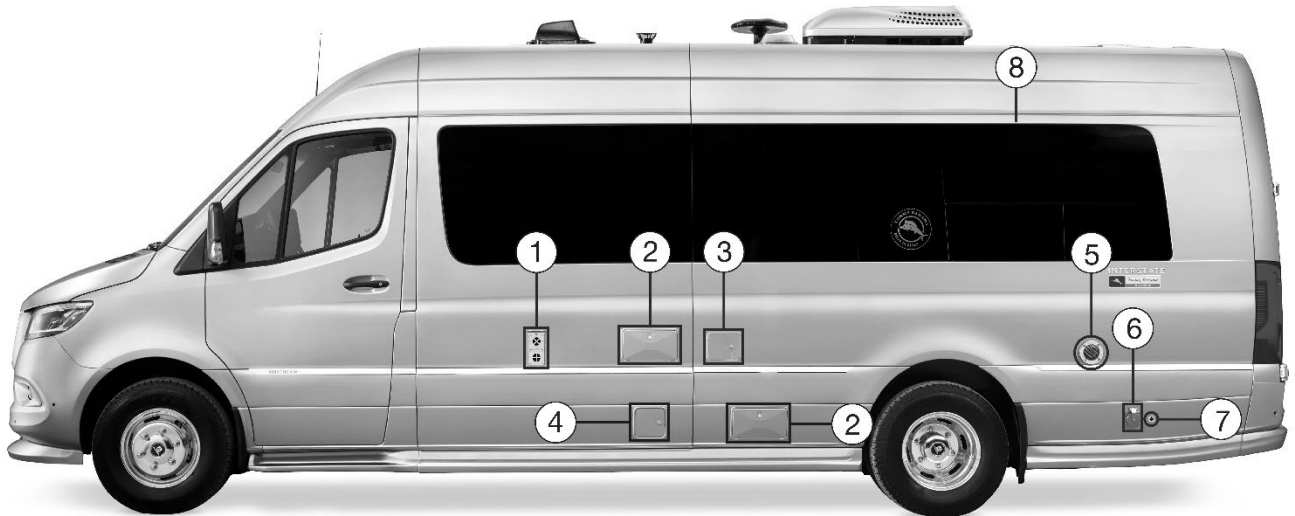
## EXTERIOR SHELL

### Exterior Components, GL, E1 Package Option

923601S-03	Exterior Shell, GL, E1 Package Option
1. 381766-9775 381766T	Door, Macerator compartment, Silver Door, Macerator compartment, Tenorite Grey Metallic
2. 602288-9775 602288-01T	Exterior shower box, Silver Exterior shower box, Tenorite Grey Metallic
3. 382083-9775 382083T	Hatch, Electrical switches, Silver Hatch, Electrical switch, Tenorite Grey Metallic
4. 513936	Smart plug, Power inlet, 30A, Stainless Steel
5. 513898	Solar Sidewall Port
6. 372301	Window-D1 Vented-Ext
7. 372303	Window-D3 Vented-Ext
8. 512741-9775 512741T	Weatherproof cover w/gasket, Iridium Silver Weatherproof cover w/gasket, Tenorite Grey Metallic
9. 513447	Power step, Project 2000
10. 372306	Window, P3, Vented
411004-08	Wheel, Front, Polished outside
411004-09	Wheel, Rear, Polished inside
411004-03	Trim kit, Front
411004-04	Trim kit, Rear

# EXTERIOR SHELL

## Exterior Components, GT



Parts Listed on Next Page

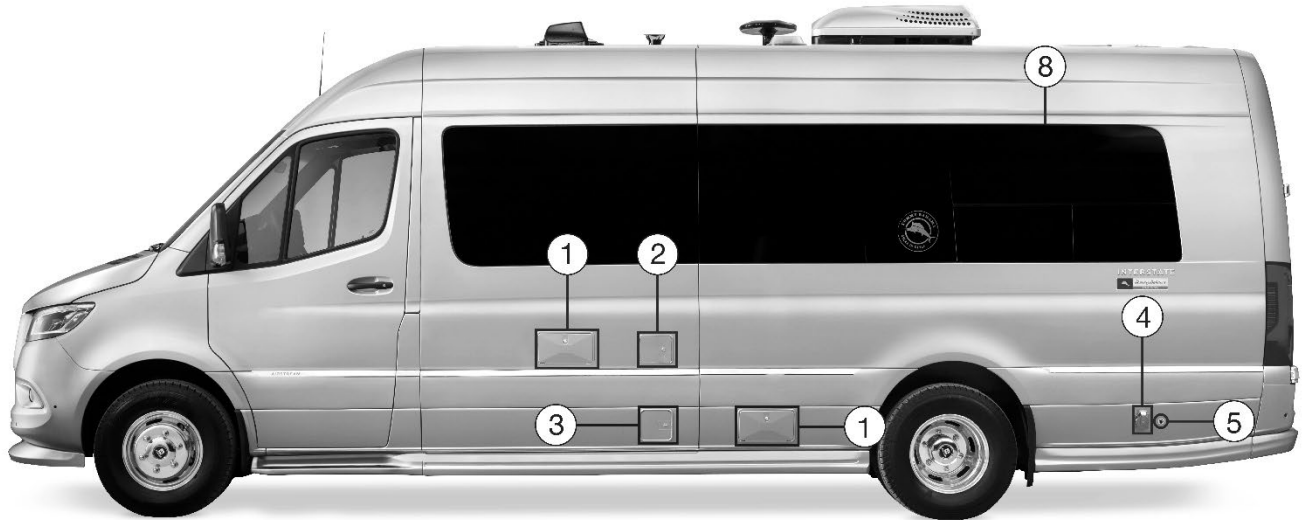
## EXTERIOR SHELL

### Exterior Components, GT

923553S-03	Exterior Shell, GT
1. 690620-05	Furnace extension kit, 7.25"
2. 381766-9775	Door, Macerator compartment, Silver
381766T	Door, Macerator compartment, Tenorite Grey Metallic
3. 382083-9775	Hatch, Electrical switches, Iridium Silver
382083T	Hatch, Electrical switch, Tenorite Grey Metallic
4. 602288-9775	Exterior shower box, Iridium Silver
602288-01T	Exterior shower box, Tenorite Grey Metallic
5. 690711-04	Vent cap, 15.5", Water heater
6. 513936	Smart plug, Power inlet, 30A, Stainless Steel
7. 513898	Solar Sidewall Port
8. 372303	Window, D3 Vented
9. 512741-9775	Weatherproof cover w/gasket, Iridium Silver
512741T	Weatherproof cover w/gasket, Tenorite Grey Metallic
10. 455591	LPG remote fill assembly
386373	Decal, On/Off LPG remote fill
512434	Switch, ON/OFF LP valve
11. 513447	Power step, Project 2000
12. 372306	Window, P3, Vented
411004-08	Wheel, Front, Polished outside
411004-09	Wheel, Rear, Polished inside
411004-03	Trim kit, Front
411004-04	Trim kit, Rear

# EXTERIOR SHELL

## Exterior Components, GT, E1 Package Option



Parts Listed on Next Page

## EXTERIOR SHELL

### Exterior Components, GT, E1 Package Option

923597S-03	Exterior Shell, GT, E1 Package Option
1. 381766-9775	Door, Macerator compartment, Silver
381766T	Door, Macerator compartment, Tenorite Grey Metallic
2. 382083-9775	Hatch, Electrical switches, Iridium Silver
382083T	Hatch, Electrical switch, Tenorite Grey Metallic
3. 602288-9775	Exterior shower box, Iridium Silver
602288-01T	Exterior shower box, Tenorite Grey Metallic
4. 513936	Smart plug, Power inlet, 30A, Stainless Steel
5. 513898	Solar Sidewall Port
6. 512741-9775	Weatherproof cover w/gasket, Iridium Silver
512741T	Weatherproof cover w/gasket, Tenorite Grey Metallic
7. 513447	Power step, Project 2000
8. 372303	Window, D3 Vented
9. 372306	Window, P3, Vented
411004-08	Wheel, Front, Polished outside
411004-09	Wheel, Rear, Polished inside
411004-03	Trim kit, Front
411004-04	Trim kit, Rear

## EXTERIOR SHELL

### Medallions

386255	Badge, "AIRSTREAM" Chrome, 1.182 x 12.43"
386256	Badge, "INTERSTATE" Chrome
386324	Marlin graphic, Rear window
386325	Tommy graphic, Side windows
386326	Tommy exterior badge
204103	Logo, Airstream, Front air dam

### Window Blackouts

386409-01	Blackout, Precut, CS Rear
386409-03	Blackout, Precut, RS Front
386409-04	Blackout, Precut, RS Rear
386409-07	Blackout Filler 1.5" X 150'

### Rear Bumper Protector Film

204025	Rear bumper protector, 3-M film
--------	---------------------------------

### 7-Way Bracket

455034	Bracket, 7-way plug
--------	---------------------

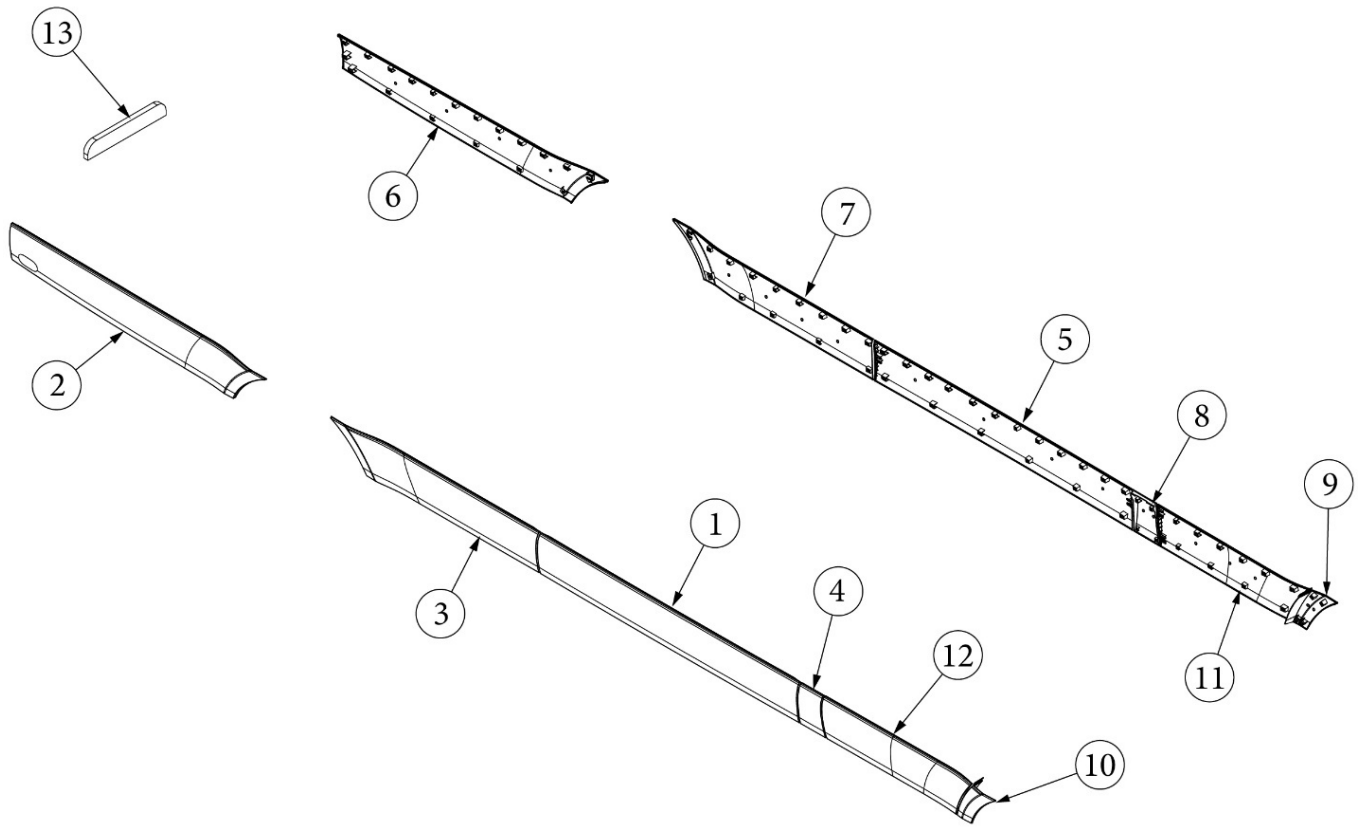
### Chrome Inserts, Body Kit

204124	Body Kit Chrome Inserts
204124-01	Trim, Front air splitter, CS
204124-02	Trim, Front air splitter, RS
204124-03	Trim, Rear section body moulding, mid-section, CS
204124-04	Trim, Body molding, mid-section, CS
204124-05	Trim, Body molding, mid-section, RS



# EXTERIOR SHELL

Molding, Body



Parts Listed on Next Page

## EXTERIOR SHELL

### Molding, Body

113633	Install, Body Molding (not for order/see parts below)
204130	Body Molding (not for order/see parts below)
1. 204130-019775	Molding, Sliding door, CS, Iridium silver
204130-01T	Molding, Sliding door, CS, Tenorite Grey Metallic
2. 204130-029775	Molding, Rear CS, Iridium silver
204130-02T	Molding, Rear CS, Tenorite Grey Metallic
3. 204130-039775	Molding, Wheelhouse, CS, Iridium silver
204130-03T	Molding, Wheelhouse, CS, Tenorite Grey Metallic
4. 204130-049775	Molding, B-pillar, CS, Iridium silver
204130-04T	Molding, B-pillar, CS, Tenorite Grey Metallic
5. 204130-059775	Molding, Sliding door, RS, Iridium silver
204130-05T	Molding, Sliding door, RS, Tenorite Grey Metallic
6. 204130-069775	Molding, Rear, RS, Iridium silver
204130-06T	Molding, Rear, RS, Tenorite Grey Metallic
7. 204130-079775	Molding, Wheelhouse, RS, Iridium silver
204130-07T	Molding, Wheelhouse, RS, Tenorite Grey Metallic
8. 204130-089775	Molding, B-pillar, RS, Iridium silver
204130-08T	Molding, B-pillar, RS, Tenorite Grey Metallic
9. 204130-099775	Molding, Front fender, RS, Iridium silver
204130-09T	Molding, Front fender, RS, Tenorite Grey Metallic
10. 204130-109775	Molding, Front fender, CS, Iridium silver
204130-10T	Molding, Front fender, CS, Tenorite Grey Metallic
11. 204130-169775	Molding, Driver side door, Iridium silver
204130-16T	Molding, Driver side door, Tenorite Grey Metallic
12. 204130-179775	Molding, Passenger side door, Iridium silver
204130-17T	Molding, Passenger side door, Tenorite Grey Metallic
13. 204130-189775	Molding, License plate, Iridium silver
204130-18T	Molding, License plate, Tenorite Grey Metallic

## EXTERIOR SHELL

### Front Bumper

203777-01      Front Bumper

### Air Dam, Front Bumper

112864      Install, Air dam (not for order/see parts below)

204069-05S      Body kit, front bumper, Iridium Silver

204069-05T      Body kit, Front bumper, Tenorite Grey Metallic

204118      Chrome Inserts

204103      Logo, Airstream, Front air dam

325130      Rivet nut, Zinc plated

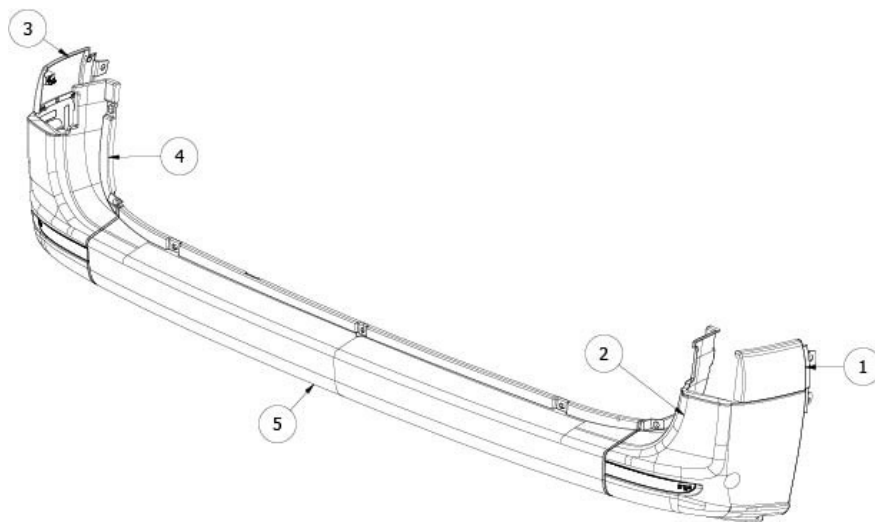
300170      Rubber washer

300171      Washer, Zinc

345522      Hex head bolt

## EXTERIOR SHELL

### Molding, Rear Bumper

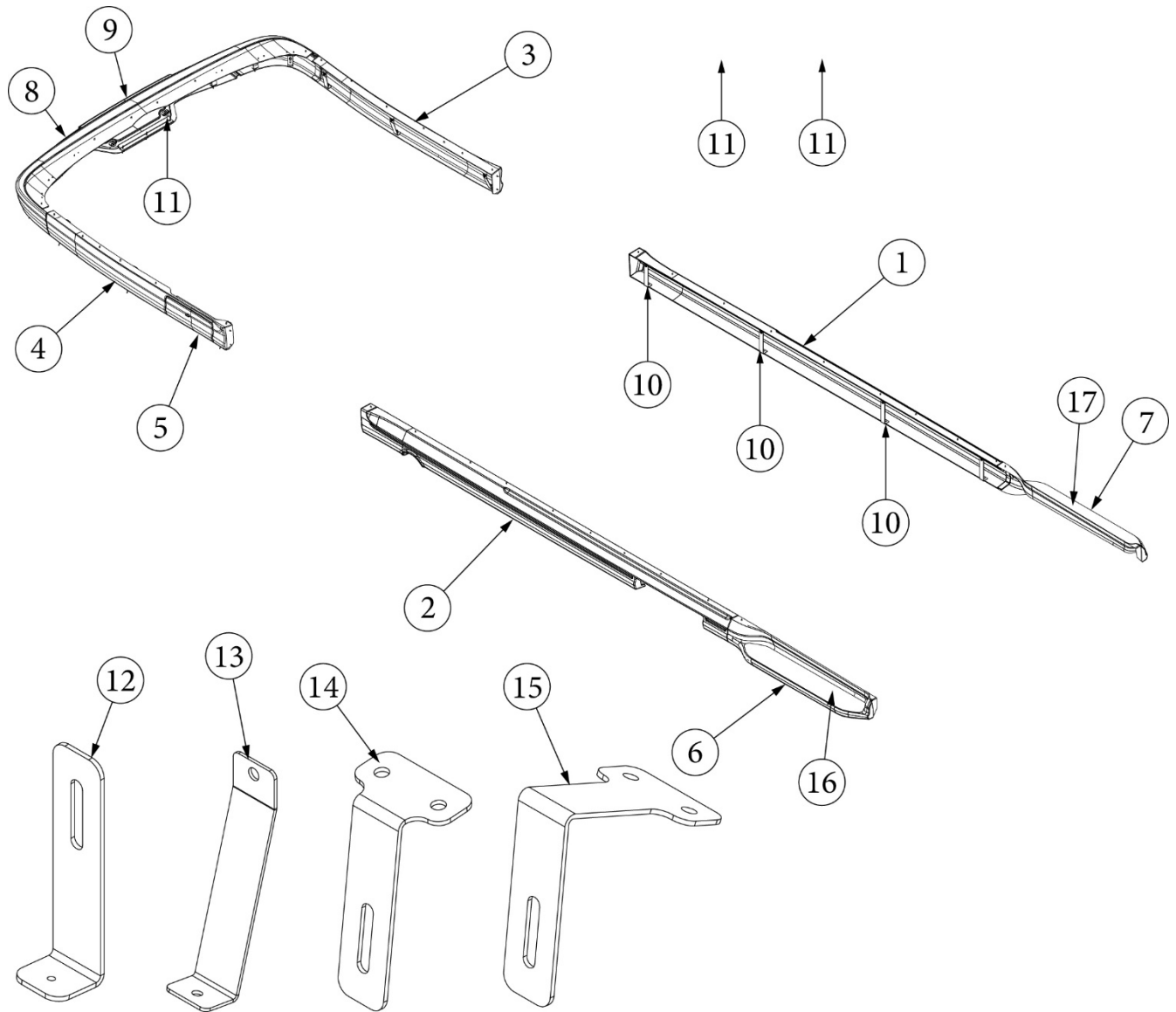


1. 204256-019775
2. 204256-029775
3. 204256-039775
4. 204256-049775
5. 204256-059775

Molding, Bumper, Upper corner, CS, Iridium silver  
Molding, Bumper, Lower corner, CS, Iridium silver  
Molding, Bumper, Upper corner, RS, Iridium silver  
Molding, Bumper, Lower corner, RS, Iridium silver  
Molding, Bumper, Center, Iridium silver

# EXTERIOR SHELL

## Body Kit



Parts Listed on Next Page

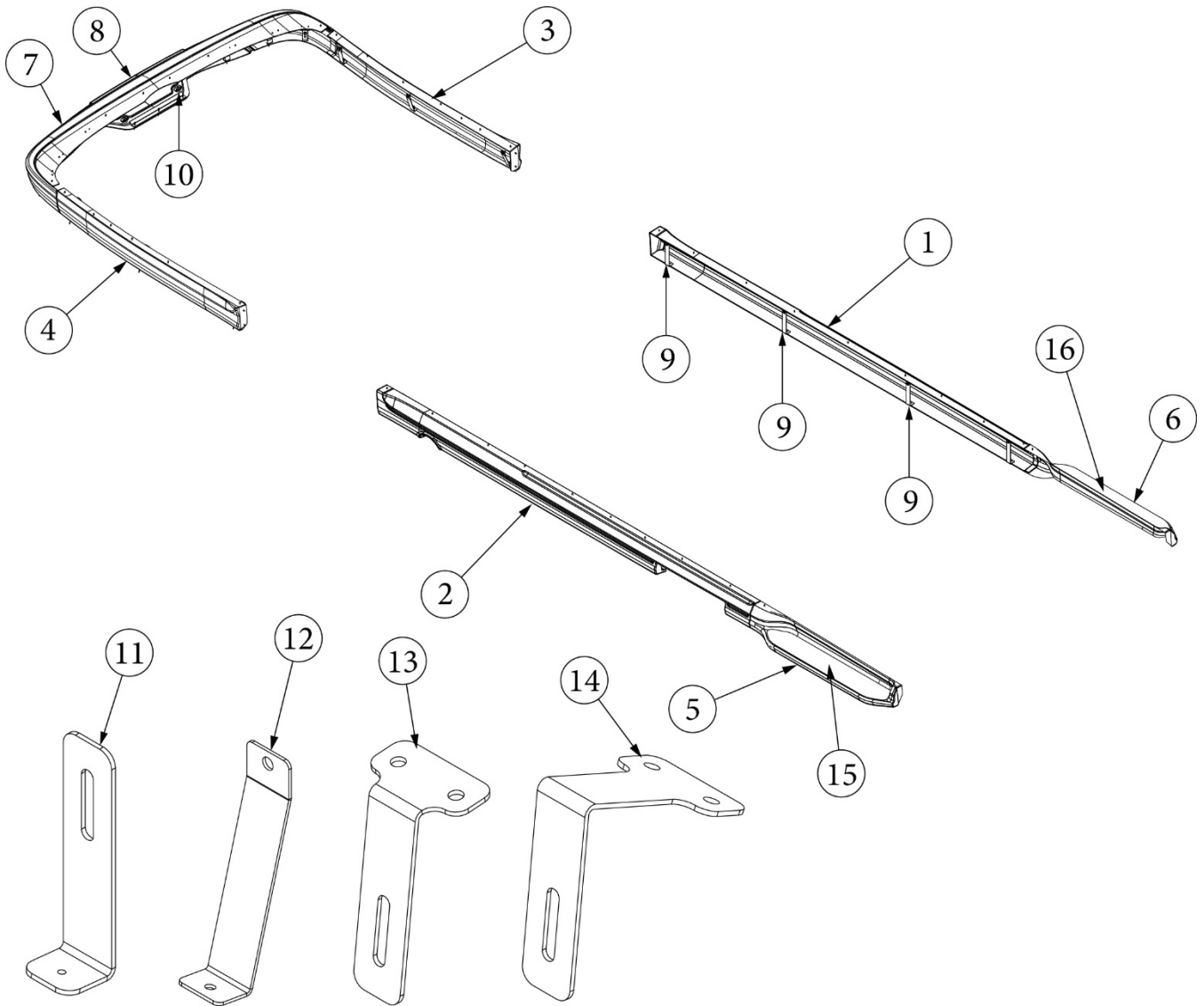
## EXTERIOR SHELL

### Body Kit

113899	Install, Body Kit (not for order/see parts below)
1. 204104-01S	Body Kit, RS Rocker Panel – Iridium Silver
204104-01T	Body Kit, RS Rocker Panel – Tenorite Grey Metallic
2. 204104-02S	Body Kit, CS Rocker Panel - Iridium Silver
204104-02T	Body Kit, CS Rocker Panel – Tenorite Grey Metallic
3. 204295-01S	Body Kit, RS Bumper Corner - Iridium Silver
204295-01T	Body Kit, RS Bumper Corner – Tenorite Grey Metallic
4. 204295-02S	Body Kit, CS Bumper Corner - Iridium Silver
204295-02T	Body Kit, CS Bumper Corner – Tenorite Grey Metallic
5. 204295-03S	LP Fill Access Panel, Iridium Silver
204295-03T	LP Fill Access Panel, Tenorite Grey Metallic
455563	Hinge, LP Cover
6. 204069-02S	Body Kit, CS Step Iridium Silver
204069-02T	Body Kit, CS Step, Tenorite Grey Metallic
7. 204069-04S	Body Kit, RS Step Iridium Silver
204069-04T	Body Kit, RS Step, Tenorite Grey Metallic
8. 204296-08S	Body Kit, Rear Bumper Iridium Silver
204296-08T	Body Kit, Rear Bumper, Tenorite Grey Metallic
9. 204069-07S	Body Kit, Hitch Cover Iridium Silver
204069-07T	Body Kit, Hitch Cover, Tenorite Grey Metallic
10. 455584-06	Hanger, Body Kit, Sides
11. 382394-01	Retainer
382394-02	Receptacle
382394-03	Stud
12. 455726	Bracket, Bumper Kit, Lower
13. 455910-01	Bracket, Bumper Kit, Side
14. 455910-02	Bracket, Bumper Kit, Short
15. 455910-03	Bracket, Bumper Kit, Long
16. 382662-01	Running Board Tread, Curbside
17. 382662-02	Running Board Tread, Roadside
204025	Protective film, Rear bumper

# EXTERIOR SHELL

## Body Kit, E1 Package Option



Parts Listed on Next Page

## EXTERIOR SHELL

### Body Kit, E1 Package Option

113973

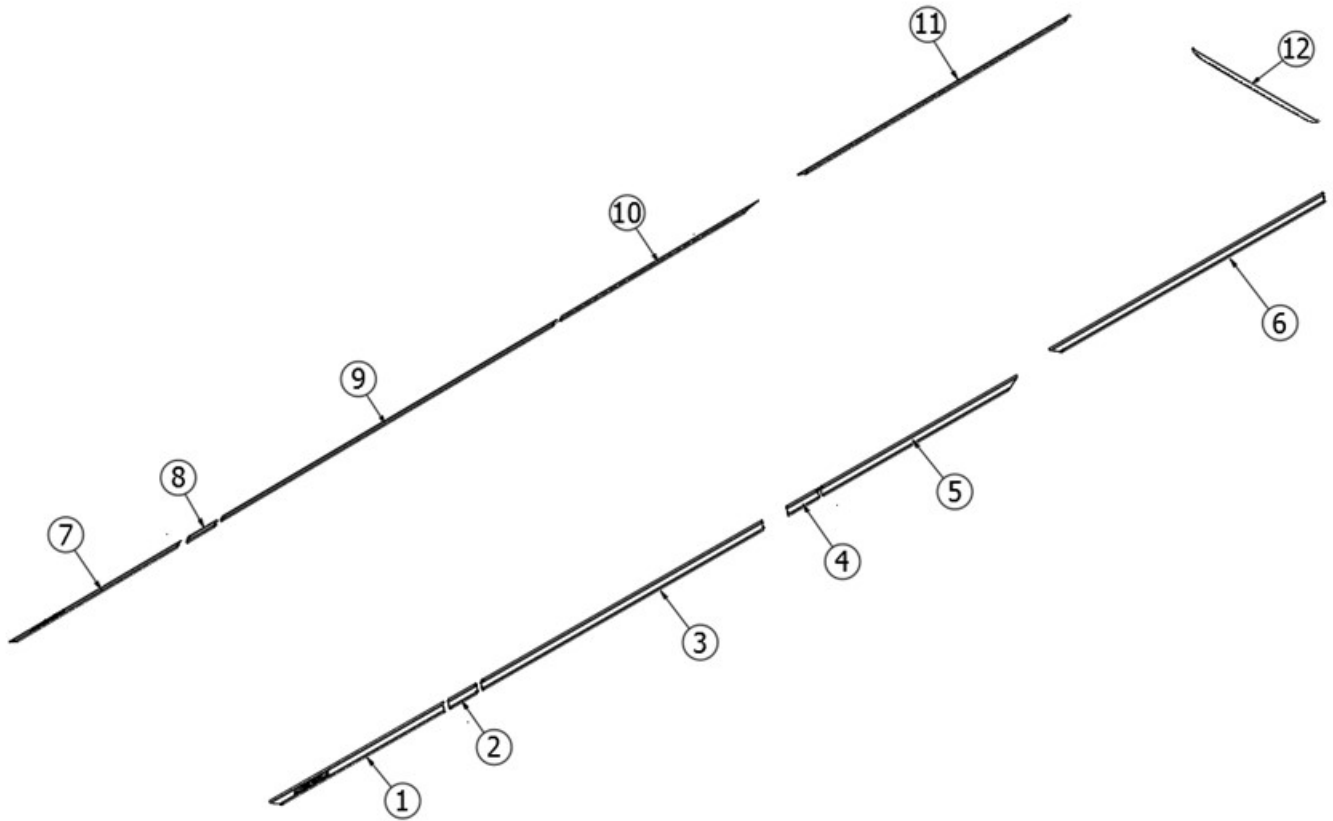
Install, Body Kit, E1 Package (not for order/see parts below)

1. 204104-01S Body Kit, RS Rocker Panel – Iridium Silver  
204104-01T Body Kit, RS Rocker Panel – Tenorite Grey Metallic
2. 204104-02S Body Kit, CS Rocker Panel - Iridium Silver  
204104-02T Body Kit, CS Rocker Panel – Tenorite Grey Metallic
3. 204295-01S Body Kit, RS Bumper Corner - Iridium Silver  
204295-01T Body Kit, RS Bumper Corner – Tenorite Grey Metallic
4. 204295-02S Body Kit, CS Bumper Corner - Iridium Silver  
204295-02T Body Kit, CS Bumper Corner – Tenorite Grey Metallic
5. 204069-02S Body Kit, CS Step Iridium Silver  
204069-02T Body Kit, CS Step, Tenorite Grey Metallic
6. 204069-04S Body Kit, RS Step Iridium Silver  
204069-04T Body Kit, RS Step, Tenorite Grey Metallic
7. 204296-08S Body Kit, Rear Bumper Iridium Silver  
204296-08T Body Kit, Rear Bumper, Tenorite Grey Metallic
8. 204069-07S Body Kit, Hitch Cover Iridium Silver  
204069-07T Body Kit, Hitch Cover, Tenorite Grey Metallic
9. 455584-06 Hanger, Body Kit, Sides
10. 382394-01 Retainer  
382394-02 Receptacle  
382394-03 Stud
11. 455726 Bracket, Bumper Kit, Lower
12. 455910-01 Bracket, Bumper Kit, Side
13. 455910-02 Bracket, Bumper Kit, Short
14. 455910-03 Bracket, Bumper Kit, Long
15. 382662-01 Running Board Tread, Curbside
16. 382662-02 Running Board Tread, Roadside  
204025 Protective film, Rear bumper



## EXTERIOR SHELL

### SS Trim, Beltline, GL



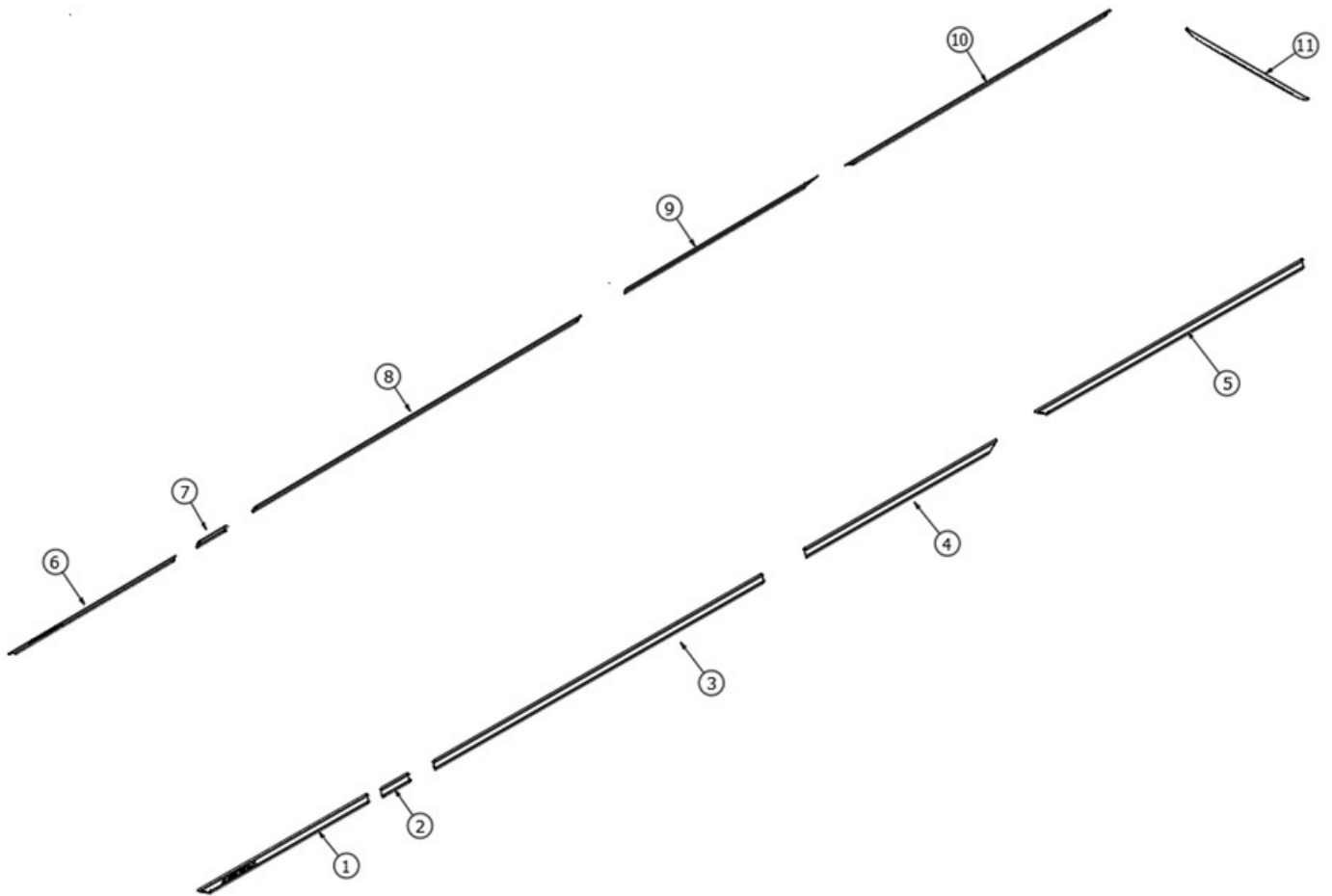
386398

Trim, GL, Stainless at Beltline

- |               |                          |
|---------------|--------------------------|
| 1. 386398-01  | Trim-Door RS             |
| 2. 386398-02  | Trim-Door Pillar RS      |
| 3. 386398-03  | Trim-Middle Front RS     |
| 4. 386398-04  | Trim-Middle Rear RS      |
| 5. 386398-05  | Trim-Wheel Well Front RS |
| 6. 386398-06  | Trim-Wheel Well Rear RS  |
| 7. 386398-07  | Trim-Door CS             |
| 8. 386398-08  | Trim-Door Pillar CS      |
| 9. 386398-09  | Trim-Middle CS           |
| 10. 386398-10 | Trim-Wheel Well Front CS |
| 11. 386398-11 | Trim-Wheel Well Rear CS  |
| 12. 386398-12 | Trim-License Eyebrow     |

## EXTERIOR SHELL

### SS Trim, Beltline, GT



386397 Trim, GT, Stainless at Beltline

- |               |                          |
|---------------|--------------------------|
| 1. 386397-01  | Trim-Door-RS             |
| 2. 386397-02  | Trim-Door Pillar-RS      |
| 3. 386397-03  | Trim-Middle-RS           |
| 4. 386397-04  | Trim-Wheel Well Front-RS |
| 5. 386397-05  | Trim-Wheel Well Rear-RS  |
| 6. 386397-06  | Trim-Door-CS             |
| 7. 386397-07  | Trim-Door Pillar-CS      |
| 8. 386397-08  | Trim-Middle-CS           |
| 9. 386397-09  | Trim-Wheel Well Front-CS |
| 10. 386397-10 | Trim-Wheel Well Rear-CS  |
| 11. 386397-11 | Trim-License Eyebrow     |

## INTERIOR SHELL

### Windows, Pillar, and Roof Closeouts

204144-01	Closeout-RS Front Window Front
204144-02	Closeout-CS Front Window Cover
204144-03	Closeout-Rear Window Cover
204144-04	Closeout-CS "C" Pillar
204144-05	Closeout-RS Front Window Rear
204144-06	Closeout-RS Middle Window Cover
204144-07	Closeout-RS Rear Window Cover
203628	Closeout, Roadside "B" pillar, bottom
203631-01	Closeout, Roadside wheel well
203631-02	Closeout, Curbside wheel well
203637	Pads, Sound dampener, Rear wheel wells
204105	Headliner Closeout, Plastic C/S & R/S
204119	Plug-Rectangular 3.00W X 2.00H
969386	Headknocker-LG & TB LG
382377-01	Plug-Panel .56d" Black

### Vanity Visor Mirror

203963	Mirror, Vanity visor
360381	Adhesive, Bostik elastic bonding
386289	Dome bumpers, Clear
203977	Housing Seat Belt

### Dash Trim Kit

365490	Kit Dash Trim- Interstate NG
--------	------------------------------

### Backsplash

114070	Extrusion, J Trim, Mill Finish
116225-01	Finished Backsplash - TB GL
116224-01	Finished Backsplash - TB GT

## INTERIOR SHELL

### Wall Panels, GL

969268	Lower Wall Pnl-LG-CS-1/4" LAM
969269	Lower Wall Pnl-LG-RS-1/4" LAM
969270	Front Lower Wall PNL-LG-RS-1/4" LAM

### Wall Panels, GL, E1 Package Option

969268	Lower Wall Panel, CS, Rear, 1/4" Laminate
969936	Lower Wall Panel, RS, Rear, 1/4" Laminate
969964	Lower Wall Panel, RS, Forward, 1/4" Laminate

### Wall Panels, GT

969213	Upper Wall Panel, RS, Forward, Fabric Covered
704088	Fabric only, Suede, Sarandave, Impala
969247	Lower Wall Panel, RS, Forward, 1/4" Laminate
969268	Lower Wall Panel, CS, Rear, 1/4" Laminate
969235	Lower Wall Panel, RS, Rear, 1/4" Laminate

### Wall Panels, GT, E1 Package Option

969213	Upper Wall Panel, RS, Forward, Fabric Covered
704088	Fabric only, Suede, Sarandave, Impala
969247	Lower Wall Panel, RS, Forward, 1/4" Laminate
969268	Lower Wall Panel, CS, Rear, 1/4" Laminate
969235	Lower Wall Panel, RS, Rear, 1/4" Laminate

## INTERIOR SHELL

### Cargo Liner

704854 Carpet, Black, PSA, w/Liner

### Window Boxes, GL

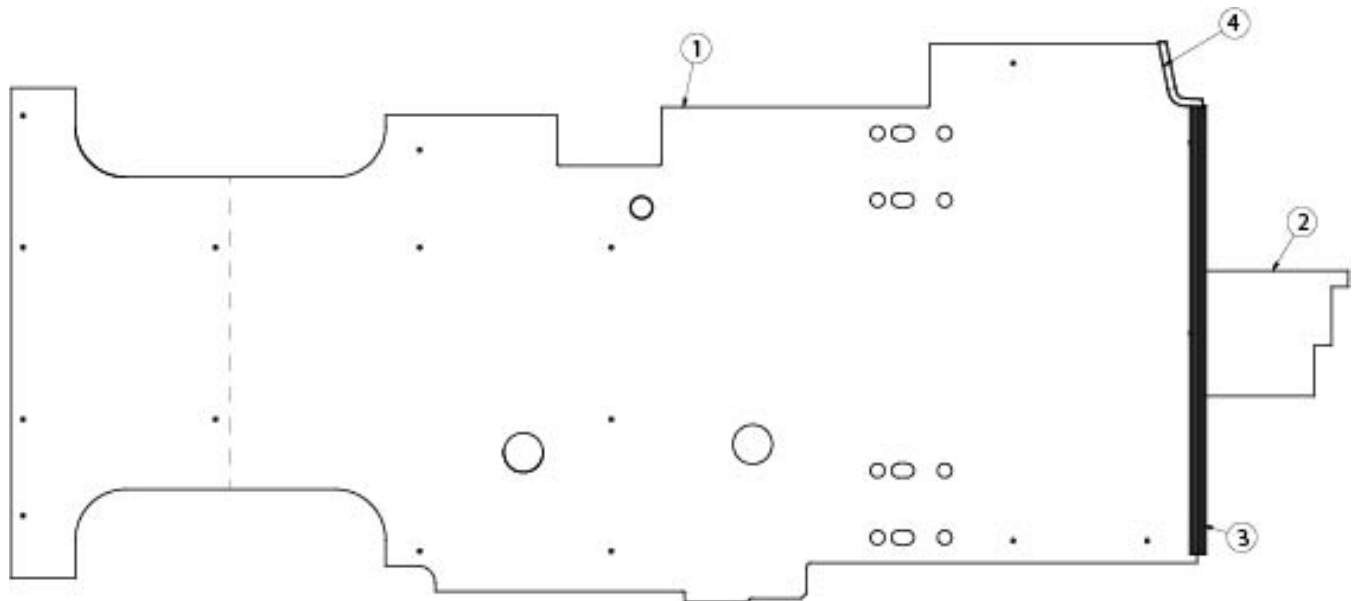
969293 Assy-LG-RS Rear Window Box  
969295 Assy-LG-RS-Front Window Box  
969292 Assy-LG-CS-Rear Window Box  
969382 Assy - Tb Lg Window Box - Rs Mid

### Window Boxes, GT

969325 Window Box, RS, Rear  
969327 Window Box, CS, Mid  
969206 Window Box, CS, Rear

## INTERIOR SHELL

### Floor Assembly, GL



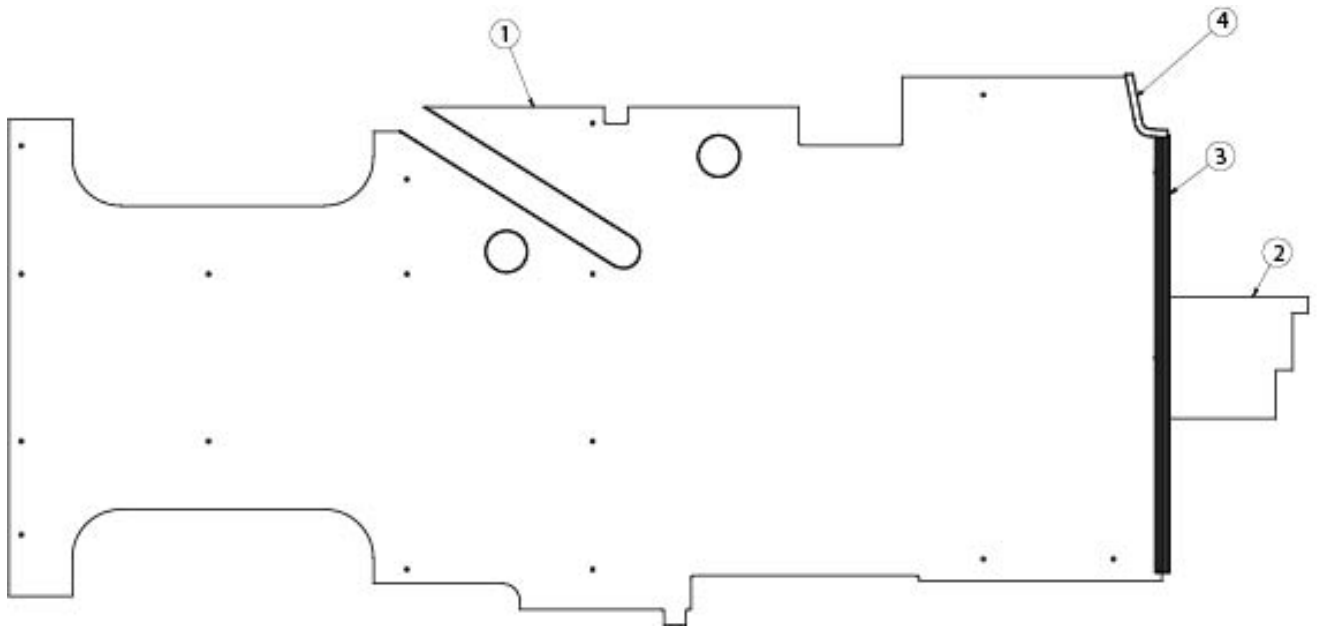
112560

Floor Install (not for order/see parts below)

- |           |   |
|-----------|---|
| 1. 969687 | Assy-Main Floor-GL                        |
| 2. 923012 | Cab to main floor transition              |
| 3. 114869 | Extrusion, Threshold compartment          |
| 4. 203628 | Closeout, RS B-pillar                     |
| 365376    | Tape, Two sided, 3"                       |
| 802075-02 | Transition spacer, Cab to main floor, 18" |
| 704351    | Flooring, Luxury Woven Vinyl, Teak        |
| 705019    | Flooring, LINO                            |

## INTERIOR SHELL

### Floor Assembly, GT



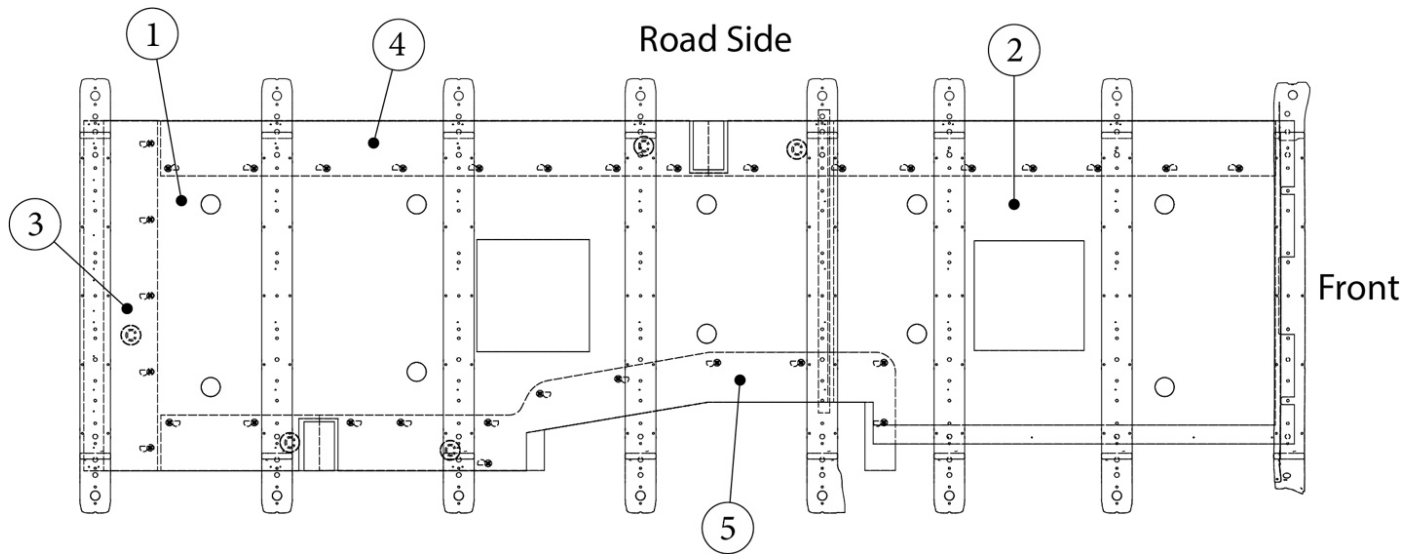
113098

Floor Install (not for order/see parts below)

- |           |   |
|-----------|---|
| 1. 969686 | Floor, GT                                 |
| 2. 923012 | Cab to main floor transition              |
| 3. 114869 | Extrusion, Threshold compartment          |
| 4. 203628 | Closeout, RS B-pillar                     |
| 365376    | Tape, Two sided, 3"                       |
| 802075-02 | Transition spacer, Cab to main floor, 18" |
| 704351    | Flooring, Luxury Woven Vinyl, Teak        |
| 705020    | Flooring, LINO                            |

# INTERIOR SHELL

## Ceiling Panels, GL



113113

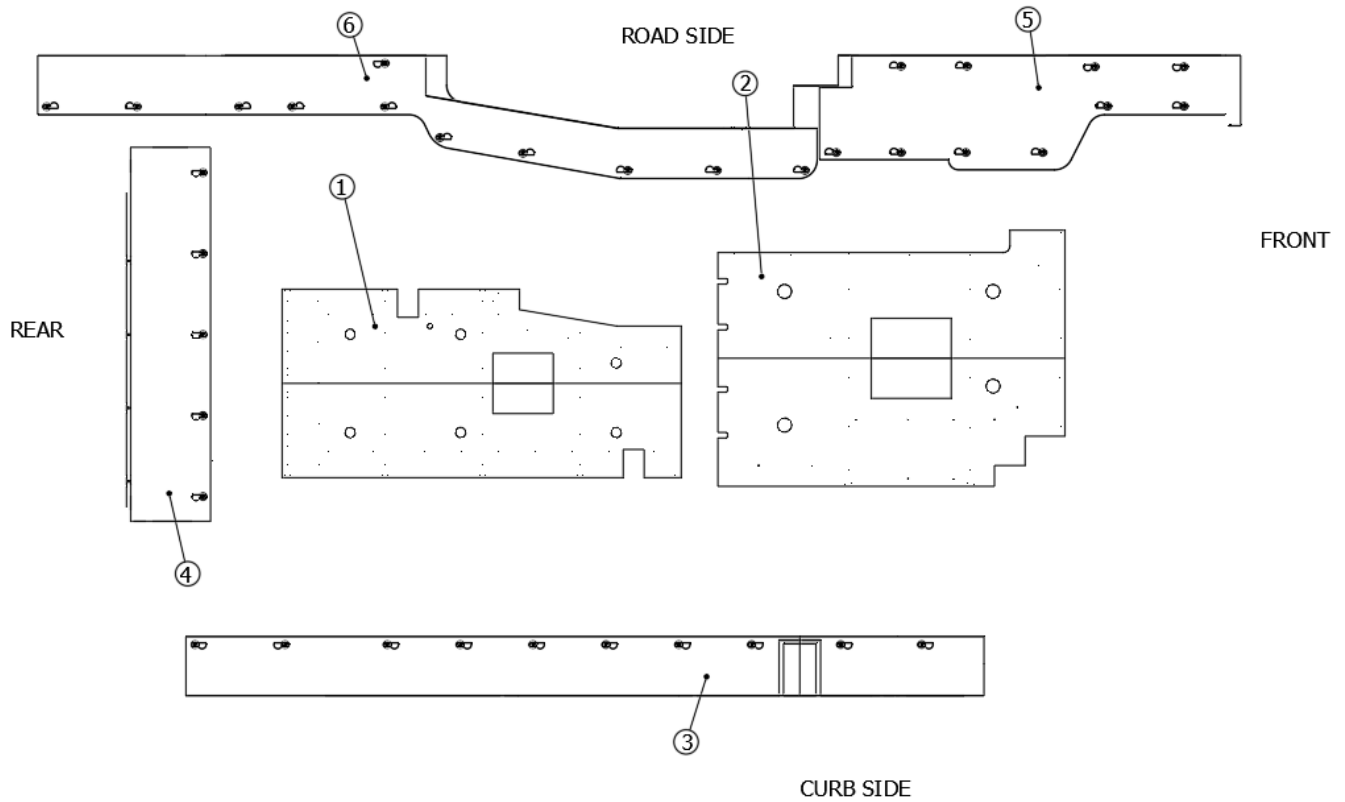
Ceiling Panels, GL (not for order/see parts below)

- |              |                                       |
|--------------|---------------------------------------|
| 1. 923217-01 | Ceiling panel, Rear                   |
| 2. 923217-02 | Aluminum ceiling panel, Front         |
| 3. 923217-04 | Ceiling panel, Rear                   |
| 4. 923217-05 | Ceiling panel, RS                     |
| 5. 923217-08 | Ceiling panel, CS, 9 passenger option |
| 701764       | Foam, 1/4"                            |
| 701538-01    | Carpet-Econolier W/PSA Back           |



# INTERIOR SHELL

## Ceiling Panels, GT



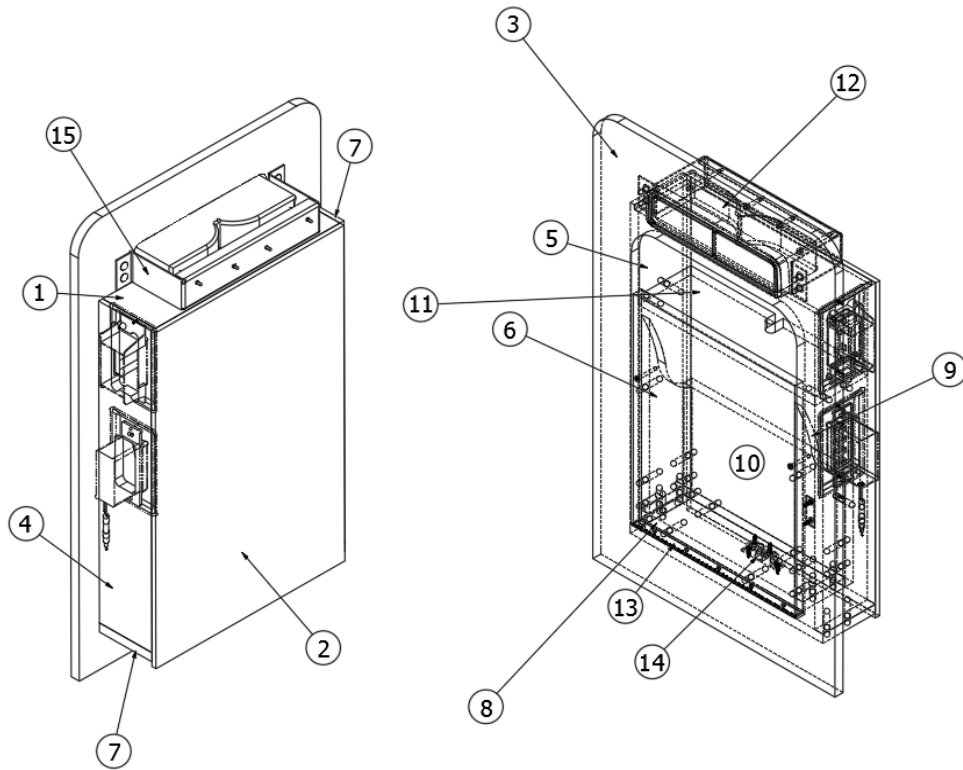
923203

Ceiling Panels Layout (not for order/see parts below)

- |              |   |
|--------------|---|
| 1. 923203-01 | Aluminum panel, Rear                      |
| 2. 923203-02 | Aluminum panel, Front                     |
| 3. 923203-03 | Ceiling panel, CS                         |
| 4. 923203-04 | Ceiling panel, Rear                       |
| 5. 923203-06 | Ceiling panel, RS front                   |
| 6. 923203-08 | Ceiling panel, RS rear, Extra seat option |
| 330167       | Rivet, 1/8" dia, Trifold                  |

## INTERIOR SHELL

### Cubby/Charging Station



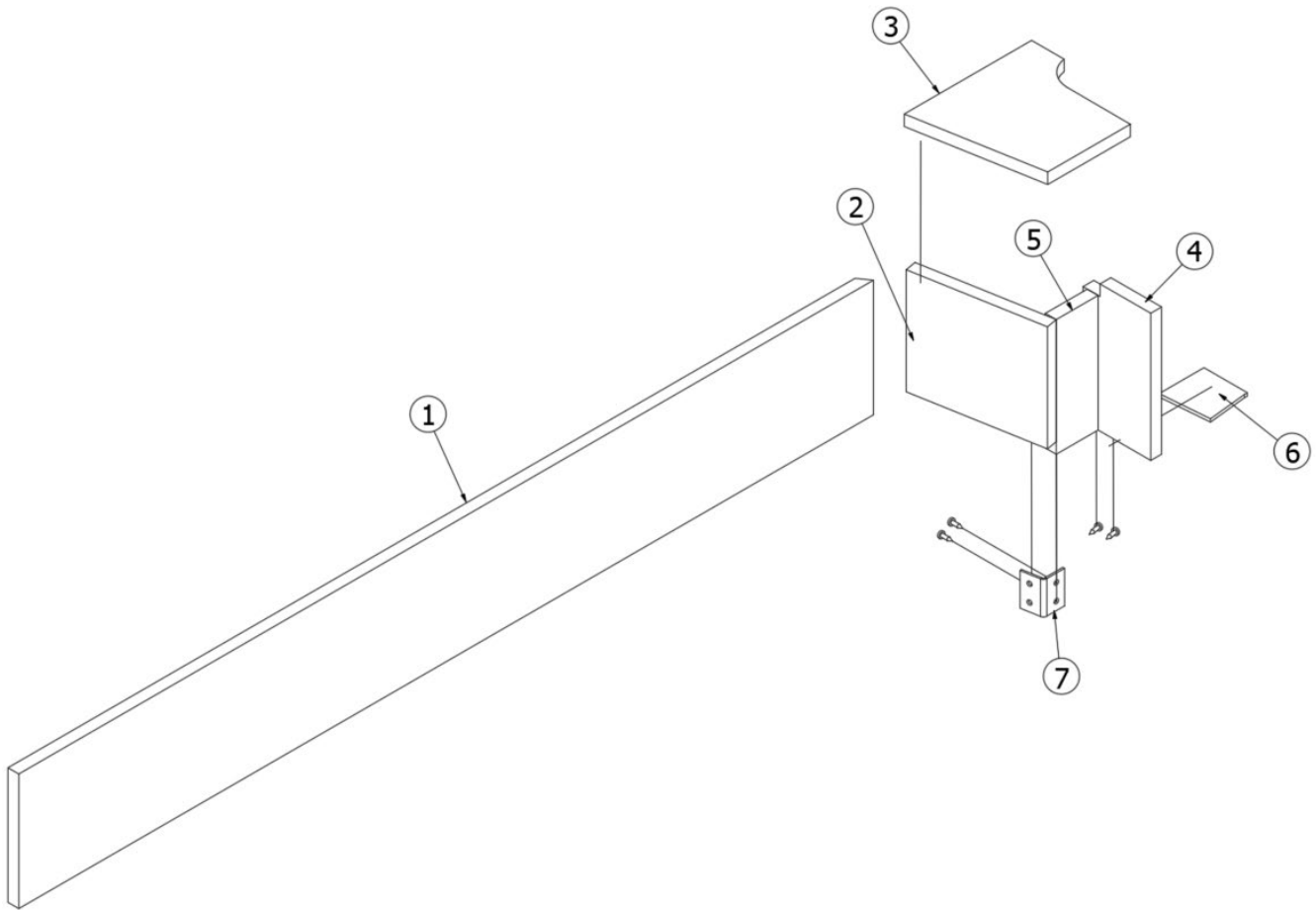
969288

Assy-Cubby/Charging Station

- |                     |                                    |
|---------------------|------------------------------------|
| 1. 969288&000306BE  | Panel, 3.25" X 11.44"              |
| 2. 455698           | Rear cover plate, Cubby            |
| 3. 969288&000212BB  | Panel, .50" X 15.00" X 24.50"      |
| 4. 969288&000412BB  | Panel,.50" X 3.25" X 17.75         |
| 5. 969288&000712BB  | Panel,.50" X 3.25" X 17.75         |
| 6. 969288&000812BB  | Panel,.50" X 2.63" X 11.13"        |
| 7. 969288&001012BB  | Panel,.50" x 3.25" x 11.813        |
| 8. 969288&001212BB  | Panel,.50" X 10.00" X 12.50"       |
| 9. 969288&001312BB  | Panel,.50" X 2.63" X 11.13"        |
| 10. 969288&001512BB | Panel, 10.00" X 6.09"              |
| 11. 969288&001612BB | Panel,.50" X 3.25" X 10.813"       |
| 12. 204137          | Cupholder Double Flip Out          |
| 13. 382694          | 1" Piano Hinge - Black W/ Holes    |
| 14. 382695          | Grab Catch, Multidirectional Brass |
| 15. 455691          | Bracket-Cup Holder                 |
| 203445-03           | T-Molding- 9/16                    |
| 365412-01           | Edgebanding, Macchiato, 5/8"       |
| 969288&001412BB     | Panel,.50" X 2.625" X 9.00         |
| 511912              | Plate-Recept SS                    |

# INTERIOR SHELL

## Step Close-out Assembly, GL



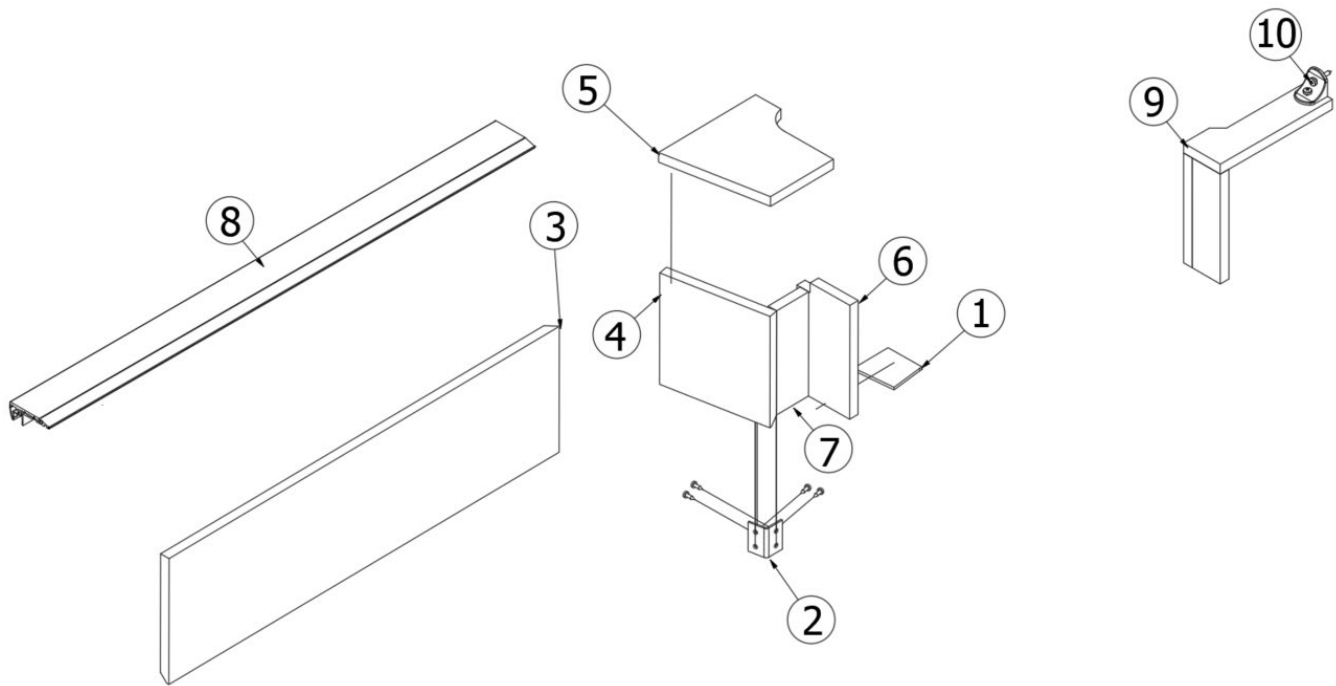
969242

Assy-Step Close-Out

- |                    |                              |
|--------------------|------------------------------|
| 1. 969242&000112BB | Panel-Prelam 21.07 X 5.63    |
| 2. 969242&000212BB | Panel-Prelam 5.63 X 4.88     |
| 3. 969242&000312BB | Panel-Prelam 5.63 X 5.88     |
| 4. 969242&000412BB | Panel-Prelam 2.69 X 5.88     |
| 5. 969242&000512BB | Panel-Prelam 2.00 X 4.55     |
| 6. 204108          | Cover-Step Closeout Black    |
| 7. 455634          | Bracket 100 Degree           |
| 365412-01          | Edgebanding, Macchiato, 5/8" |

## INTERIOR SHELL

### Step Close-out Assembly, GT



969196

Assembly, Closeouts-Stepwell & Screen

- |                    |                                     |
|--------------------|-------------------------------------|
| 1. 204108          | Cover-Step Closeout Blk             |
| 2. 455634          | Bracket 100 Degree                  |
| 3. 969196&000212BB | Pre Laminate- 0.50 X 23.63 X 6.5    |
| 4. 969196&000312BB | Pre Laminate- 0.50 X 5.63 X 5.75    |
| 5. 969196&000412BB | Pre Laminate- 0.50 X 5.88 X 5.63    |
| 6. 969196&000512BB | Pre Laminate- 0.50 X 2.69 X 5.06    |
| 7. 969196&000612BB | Pre Laminate- 0.50 X 2.00 X 4.55    |
| 8. 115960          | Nosing-Silver Anodized Led Stair 2M |
| 9. 969297          | Assy-Screen Door Closeout-GT        |
| 10. 385963         | Bracket Mtg. Angle Lambrequin       |

## CHASSIS

### Air Ride System

411120-02	Bracket-Height Sensor, AWD
411120-03	Bracket-Air Tank AWD
411121-01	Air Ride System - VB Rear AWD
704484	Rear carpet w/air ride

### Wheels

411004-08	Wheel, Front, Polished outside
411004-09	Wheel, Rear, Polished inside
411004-03	Trim kit, Front
411004-04	Trim kit, Rear
411004-06	Lug nut cover, New style
411004-10	Wheel, Inner rear, Unpolished

### Driver and Passenger Steps

455849-01	Entry Step, RS
455849-02	Entry Step, CS

### Power Step

513447	Power step, Project 2000
514099	Pushbutton, Silver Latching, Step, E1 Package Option
513567	Controller, Step Project 2000
512849	Switch, Bar Magnet with NC/NO Contacts
513447-100	Step motor only
512515	Warning buzzer, Low current
455585	Bracket Step Mounting
455422	Bracket, Step Hanger

## CHASSIS

### Entry Steps, Driver and Passenger

113751-03	Install, Step and LI Battery (not for order/see parts below)
204069-02S	Body Kit, CS Step Iridium Silver
204069-02T	Body Kit, CS Step, Tenorite Grey Metallic
204069-04S	Body Kit, RS Step Iridium Silver
204069-04T	Body Kit, RS Step, Tenorite Grey Metallic
382662-01	Running Board Tread - CS
382662-02	Running Board Tread - RS
455849-01	Step, Entry, RS
455849-02	Step, Entry, CS
455856	Bracket, Step
914405	Wire Support Assembly, AWD
455851	Battery Box Cradle, Aluminum
914405	Wire support assembly
114514	Tube, Square, Aluminum, 1.5 x 21'1"
383021	U-bolt, 3/8-16, 2" x 4 5/8"
383022	Mounting plate, U-bolt

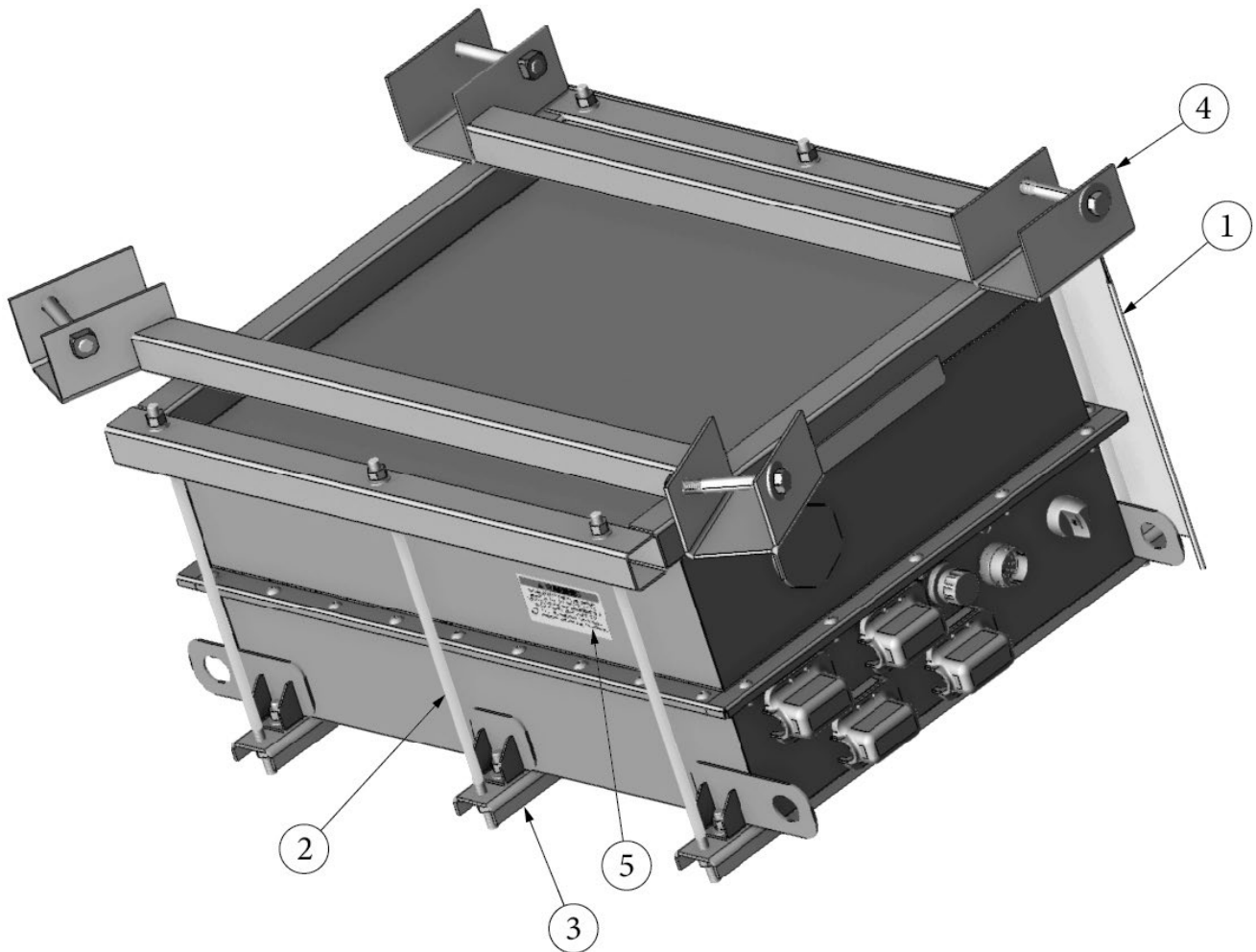
## CHASSIS

### Entry Steps, Driver and Passenger, E1 Package Option

113876-01	Install, Step, E1 Package Option (not for order/see parts below)
204069-02S	Body Kit, CS Step Iridium Silver
204069-02T	Body Kit, CS Step Tenorite Grey Metallic
204069-04S	Body Kit, RS Step Iridium Silver
204069-04T	Body Kit, RS Step Tenorite Grey Metallic
382662-01	Running Board Tread - CS
382662-02	Running Board Tread - RS
455854	Saddle Step
455855	Reinforcement, Bracket, Step
455899-01	Support frame, Step, Entry, RS
455899-02	Support frame, Step, Entry, CS
455856	Bracket, Step
455671	Support, Wire loom cross member
455696	Shield, Lower Cross Car Battery Cables
455697	Shield, Upper Cross Car Battery Cables

## CHASSIS

### Battery Cradle, E1 Package Option



113918

Install, Battery Cradle (not for order/see parts below)

- |           |                                      |
|-----------|--------------------------------------|
| 1. 116431 | Shield, Battery, Volta               |
| 2. 345810 | Screw, 3/8"-16 x 14" Hex Cap Grade 8 |
| 3. 455896 | Channel, Volta Cradle                |
| 4. 455903 | Weldment, Volta Battery Cradle       |
| 5. 386581 | Label, Volta Battery                 |
| 300147    | Washer, Flat ID 0.53", OD 1.10"      |
| 300111-37 | Washer, Flat, 3/8"                   |
| 345369-04 | Bolt, Hex Gr.5, 1/2-13 X 4"          |
| 345272-05 | Bolt, Hex, 3/8-16 X 1.25"            |
| 300072-06 | Washer, Lock, 3/8"                   |
| 350228    | Hex Nut, 3/8-16                      |
| 382426    | Screw, 1/4"-20, Phillips 3/4"        |
| 360389    | Undercoating, 3M, 16 Oz #03584       |



## CHASSIS

### Step Well

203886	Base, Step well riser
455594	Panel, Cover Step Well
969242	Assembly, Step Closeout
969196	Step Closeout, GT
969297	Assembly Screen Door Closeout, GT

### Exhaust System

112868	Exhaust Install (not for order/see parts below)
454708	Water tank heat shield
411119	Exhaust extension, Oval, Polished
454696-01	Wrap, Exhaust, 34" long
454696-02	Wrap, Exhaust, 14" long
340073-02	Clamp, Muffler w/nuts & saddle
340073-15	Clamp, Muffler, 2.75"
381509	Hanger, Tailpipe

### Skid Bar Assembly

454685	Skid bar assembly
--------	-------------------

### Parktronic Sensor

512617-01	Sensor-Mercedes Parktronics
360403	Black paint, Parktronic sensors, Qty 12
360403-01	Black paint, Parktronic sensors, Qty 6
203822	Mounting socket
203823-B	Mounting bezel, Black
203823-S	Mounting bezel, Silver
203823-W	Mounting bezel, White
203823-PT	Mounting bezel, Tenorite Gray Metallic
203827	Silicone washer

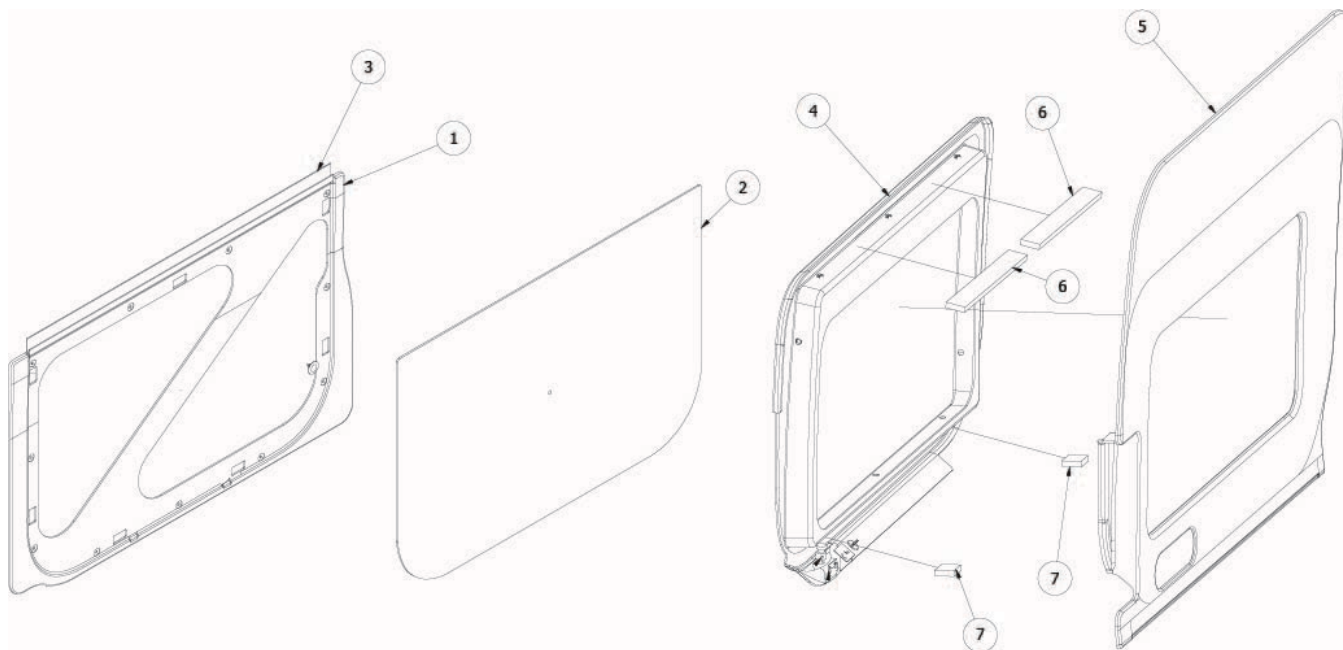
## CHASSIS

### Leveling Jacks

135424	Install, Hydraulic leveling, AWD (not for order/see parts below)
455574-03	Weldment Bracket, Hydraulic leveling pump
455574-09	Pump mounting plate
411226	Leveling kit, AWD
411226-100	Cylinder (Jack Leg)
411226-101	Relay Protection Cap, LCI Pump
411226-102	Relay, Trombetta, 12V, LCI Pump
411226-103	Valve Pump, 12V, LCI Pump
411226-104	Motor, 12V, LCI, Pump
411226-105	Pressure Switch, LCI Pump
204131	Panel, Hydraulic Leveling Docking
513764	Cable Kit, Lift Option Only
411247	Bracket, Rear Hydraulic Leveling Van
455574-04	Weldment, Side bracket, Hydraulic pump
360175	Fluid, Automatic transmission

## EXTERIOR DOORS

### Door Panels, Sliding Door



113507

113534

Install, Lower Door Panel (not for order/see parts below)

Install, Upper Door Panel (not for order/see parts below)

1. 204224

2. 204293-0039

3. 116320

4. 204226

5. 204227-1001

6. 113534&010412BB

7. 113534&010512BB

382678

386391

386237

382511

Lower door panel, Sliding door

Door panel insert, Lower, Macchiato, .093"

Extrusion, Lower, Sliding door, for 204224

Upper panel, Sliding door

Cover, Sliding door upper panel

Pre laminate, 1.75 x 15

Pre laminate, 1.75 x 1.75

Fastener, Finned

Label, Sliding door emergency release

Label, Lock/Unlock

Knob, Sliding door lock

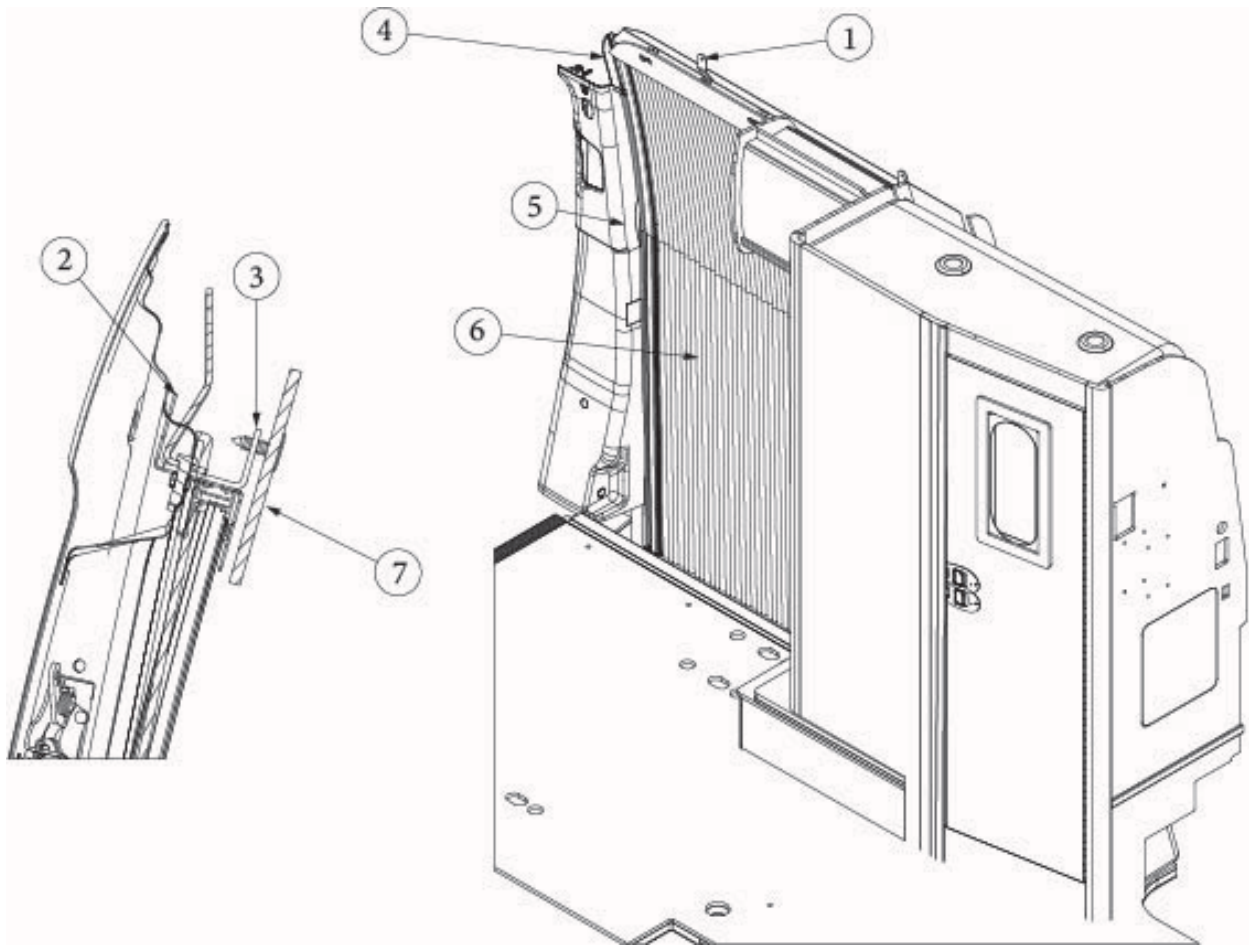
## EXTERIOR DOORS

### Exterior Doors

381766-9775	Door, Macerator compartment, Iridium Silver
381766T	Door, Macerator compartment, Tenorite Grey Metallic
382083-9775	Hatch, Electrical switches, Iridium Silver
382083T	Hatch, Electrical switch, Tenorite Grey Metallic
602288-9775	Exterior shower box, Iridium Silver
602288-01T	Exterior shower box, Tenorite Grey Metallic
455879	Stop Block, Rear Door, Lower Hinge
345355	Screw, Stop Block, #8 x 3/4"
382641	Magnet, Stop Block

## EXTERIOR DOORS

### Screen Door, GL



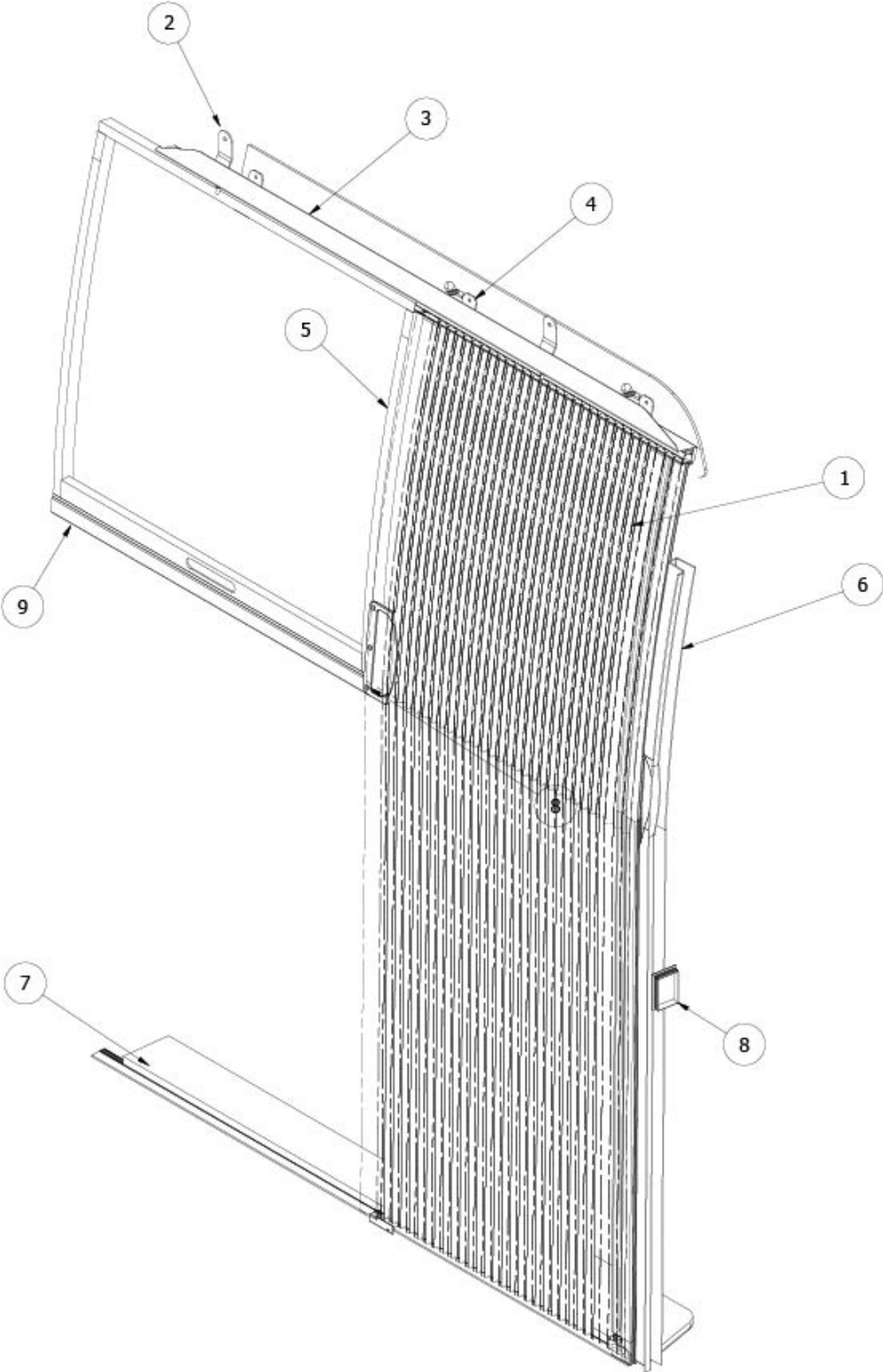
112351  
112395

Install, Folding Screen Assembly (not for order/see parts below)  
Install, Screen Bracket Assembly (not for order/see parts below)

- |              |                                    |
|--------------|------------------------------------|
| 1. 455243    | Hanger/weldnut assembly            |
| 2. 455186    | Bracket, Screen header             |
| 3. 455189    | Bracket, Padded header mounting    |
| 4. 203865-01 | Trim, Header upper                 |
| 5. 203866-01 | Door trim, B Pillar                |
| 6. 704309    | Folding screen door assembly       |
| 7. 969386    | Headknocker                        |
| 704854       | Carpet, C pillar, Shower close-out |
| 704367       | Closeout, Folding screen door rear |
| 382386       | Handle, Folding screen door        |
| 386311       | Label, Folding screen warning      |
| 968549       | Closeout, Screen header            |

EXTERIOR DOORS

Screen Door, GT



Parts Listed on Next Page

## EXTERIOR DOORS

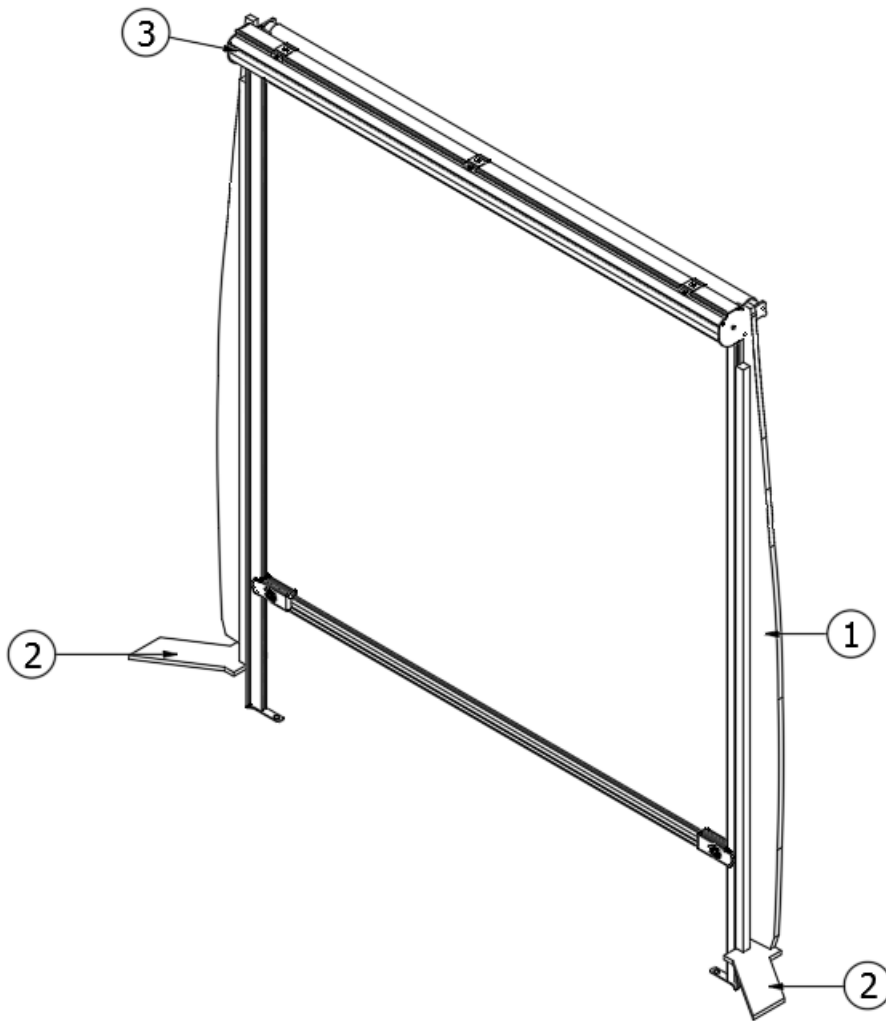
### Screen Door, GT

113737 Install, Folding Screen Door, GT (not for order/see parts below)

1. 704786-02 Folding screen door assembly
2. 455243 Hanger/weldnut assembly
3. 455186 Bracket, Screen header
4. 455189 Bracket, Padded header mounting
5. 116375 Screen, Sliding door, Aft
6. 203866-01 Pillar assembly, Side trim, Black
7. 204215 Base step, Well riser
8. 113117 B pillar
9. 455850 Bracket, Galley closeoff
- 203865-01 Header assembly, Upper trim, Black
- 382377-01 Panel plugs, Locking
- 969750 Headknocker assembly
- 381665 Gasket, Main door outer
- 382386 Handle, Screen door
- 386311 Label, Folding screen warning
- 365232 Seal, Baggage door
- 704758 Pile Seal - Weather Strip

## EXTERIOR DOORS

### Screen Door, Rear Power Kit



113174

Install Screen Door (not for order/see parts below)

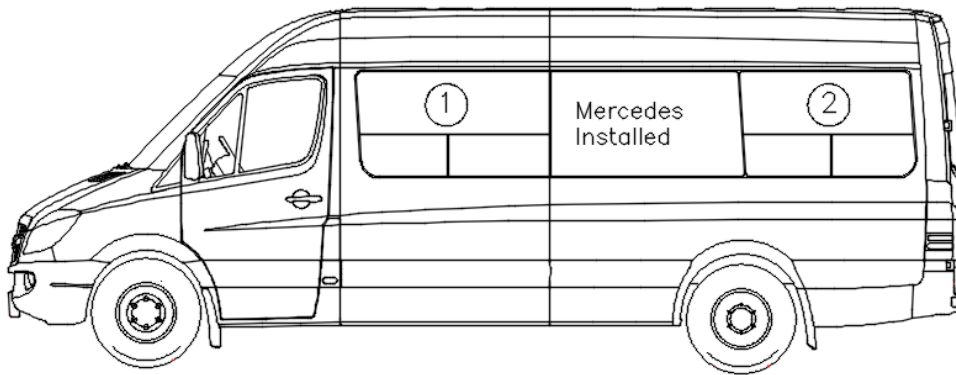
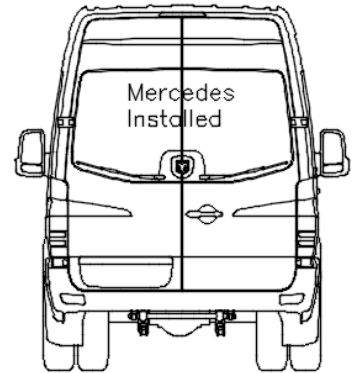
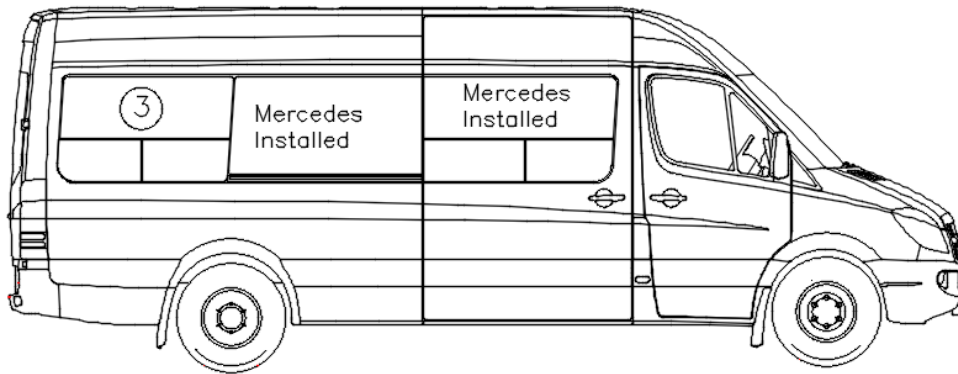
- 1. 113174&000112BB
- 2. 113174&000312BB
- 3. 704686  
701538-01

Panel-Prelam 3.39 X 61.31  
Panel-Prelam 7.38 X 7.76  
Power Screen Rear Door Kit  
Carpet-Econolier W/Psa Back



# WINDOWS

## Windows



- |           |                                |
|-----------|--------------------------------|
| 1. 372301 | Window, RS front D1 Vented-EXT |
| 2. 372303 | Window, RS rear, D3 Vented-EXT |
| 3. 372306 | Window, CS rear, P3 Vented-EXT |
| 203225-01 | Trim lok, .75", Gray           |
| 203225-02 | Trim lok, .75", Gray           |
| 203225-02 | Trim lok, .75", Black          |
| 116200    | Extrusion, U Channel, 9/16"    |

## AWNINGS

### Awnings

705031-05	Awning, Armless, 4.5m, Carefree, Sunbrella, Tommy Aloe
705031-09	Extrusion, Roof mount, Jet Black, 171"
705031-11	Screw, Mounting Kit
705031-12	Switch (In/Out - On/Off)
705031-13	Fuse Holder
705031-15	Extrusion, Roof Mount, Mill Finish, 166"
203973	Base, Front awning cap
203974-9775	Cover, Front awning cap, Iridium Silver
203974-06	Cover, Front awning cap, Tenorite Grey Metallic
203975	Base, Rear awning cap
203976-9775	Cover, Rear awning cap, Iridium Silver
203976-06	Cover, Rear awning cap, Tenorite Grey Metallic
455599	Bracket, Awning light
513672-01	Light, Awning, LED, 42"
381667	Drive ratchet, 3/8"
382109	Extension, 3/8", 3" long
365222	Tape, Double Coated, VHB

## WINDOW COVERINGS

### Power Shades

705053-01	Sliding Door Shades
705053-02	RS/CS Rear Shades
705053-03	RS Front Shades
705053-04	Somfy 4 Channel Remote
705053-10	Kit, Power Shades, GL
705053-11	Kit, Power Shades, GT

### Cockpit Window Shades and Hardware

704861	Window Shade Kit-Cockpit
704861-01	RS Window Shade For Cockpit Window Shade kit
704861-02	Front Window Shade
704861-03	CS Window Shade For Cockpit Window Shade kit
704861-04	Carry Bag for Window Shade kit
700021	Hook, Velcro, White
700020	Pile Velcro
100097	Curtain track extrusion, Sliding door curtain
700617-01	Velcro, 1" Black without sticky back

## ELECTRICAL, 110 VOLT

### Power Center

512547	Power Center, 30A
514029	Power Center, 30A, E1 Package Option
512547-01	Label, Distribution Center, AC/DC
512547-100	Door only, Black, for 512547
512547-101	Board only, For Distribution Center
514344	Push-in Connector, For Power Centers, 1/2"

### Energy Management System

513324	Energy Management System
513324-01	Midi PCS
513324-02	Mini PCS
513324-03	Power share switch
513324-04	Relay module, 15 amp
513324-05	PCS control pigtail
513324-06	Pigtail harness
513324-07	Mini PCS data cable, 10'
512357-02	EMS Mini-PCS I/O Module, Donut

### Shoreline Hookup

513936	Smart plug, Power inlet, 30 amp, Stainless Steel
513809	Cordset, Smart plug, 30A
513856	Cordset, Smart plug, 15A

### Inverter

514121	Inverter/Converter, Xantrex, 1000W
513798-01	Remote display module, Freedom XC

## ELECTRICAL, 110 VOLT

### Receptacles and USB Ports

513570	Receptacle w/Black cover, GFI 15 amp
511814-01	Receptacle, Duplex, Gray, Self-Contained
511815-01	Receptacle, Duplex, Black
512481-02	Receptacle, 20 amp, Single, Brown
513739	Plate, Receptacle, Stainless Steel, 2-Gang
511912	Wall plate, Single gang, Snap on, Chrome
513788-01	Plate, 2-Gang, Combo, Duplex, Black
513740	USB, 4 Port 2.0amp(X4) Black
513331	USP, 2 Port, Black
514385	USB A and C Port, 12-24V, 4.8A
514026	USB Extension Cable
514026-01	Clip for USB Cable
512186	Extension Ring, GFCI

### Breakers, 110V

510564-01	Breaker, Bryant, 20 Amp
510564-02	Breaker, Bryant, 30AMP
510564-04	Breaker, Type BRD, BD 20-20
510564-06	Breaker, Bryand, 20GFI
510564-07	Breaker, Type Br, 15GFI

## ELECTRICAL, 12 VOLT

### Battery

113751-03 969589	Install, Step and LI Battery (not for order/see parts below) Assembly, Battery Box, Plastic
513811	Lithium battery, 12V Type 24, 100AH
204219	Battery box, Lower, Plastic
204220	Battery box, Upper, Plastic
455851	Battery Box Cradle, Aluminum
381806	Insulation, #4 double sided, Foil
455853	Battery box heat shield
386419	Label, Lithium battery box
386420	Battery heater key switch plate
386552	Label, Vented battery compartment
513827	Battery Minder, Trickle Charger, 2, 4, 6, 8A
500038	Ground Lug
512437	Cord, SJEOOW 10-3, 300V 90 DEG. C

### Battery, E1 Package Option

514061-01	Flex Pack 4, Battery, Volta
455696	Heat Shield, Battery, lower cross car
455697	Heat shield, Battery, Upper cross car

### Chassis & House Charging

953607	Assembly, DC/DC Converter
456032	Bracket, DC/DC converter
513827	Battery Minder, Trickle Charger, 2, 4, 6, 8A

## ELECTRICAL, 12 VOLT

### Alternator, Secondary

514390	Alternator Kit, Balmar, XT-Series, 250A
514390-03	Voltage Regulator, MC-618
514300	Harness, Balmar
514251	Cable Kit, Alternator, GL/GT Standard
514302	Belt, Alternator, Mercedes

### Alternator, Secondary, E1 Package Option

135038-01	Install, Volta Alternator (not for order/see parts below)
514061-08	Alternator, Volta (AWD)
382871	Belt, Alternator, Serpentine, Volta
514302	Belt, Alternator, Mercedes

### Volta Components, E1 Package Option

514061-04	Pushbutton, Power, Volta, E1 Package Option
386573-03	Plate, Decorative, Battery Power & Step Hold
514061-01	Flex Pack 4, Battery, Volta
514061-02	Power Distribution Hub, Volta
514061-03	Display Screen, Volta
514061-08	Alternator, Volta (AWD)
514061-06	External Harness, Volta
514061-07	Bluetooth Kit, Volta

## ELECTRICAL, 12 VOLT

### Firefly System

514142-01	G12 Main Board, 3010001
514142-02	Touchscreen, Color, Lyra, 301004, SW20(T), 7"
514142-03	Touchscreen, Color, Lyra, 3010002, SW21, 5"
514142-04	Backplane Assembly, Drop Tap, 70974
514142-06	Module Assembly, Vent Fan Controller, Fantastic 70038
514142-07	Backplane Assembly, Drop Tap, G4 Terminator Tap, 70975
514142-08	Module Assembly, Multiprotocol Bridge Module, 7000153A
514142-09	2-Relay 120v Module W/ Connector & Pigtails, 70034A
514142-10	Module Assembly A/C Power Monitor, 70039
514142-11	Harness Assembly, A/C Power Monitor, Dual CTs 70039C2
514142-14	(V7) G12 Black Label, 3010015
514142-16	Pre-Programmed Firefly Shade Module, 705303
514142-17	Rocker Switch Assembly, Entry Screen, Battery & Step, 705401
514142-20	VegaTouch/Airstream, MIRA, 3010010
514505	VegaTouch Adapter, Firefly
514142-23	Relay #1, Black Label
514142-24	Relay #2, Black Label
968718	Firefly Mount Assembly
998255	Assembly, GT, Firefly Wall Mount Spacer

### Solar System

513957-01	Solar panel, Merlin, Rectangle, 100W
513958-01	Solar panel, Merlin, Square, 200W
513935	Solar controller, Zamp
320139	Screws, Solar panel, SS #8 x 3/4", #10 washer, rubber grommet
513475-01	Controller MPPT 150/35
513475-03	Cable, Solar Charge Controller, .9MM
513475-08	Display-Control Blue Solar Charge Controller
511469-01	Connector, Liquid tight, 90°, Plastic
513006	Roof, Solar Entry Plate W/ Connectors



## ELECTRICAL, 12 VOLT

### Breakers, 12V

510947-10	Breaker, 12V, 10A
510947-15	Breaker, 12V, 15A
510947-20	Breaker, 12V, 20A
510947-40	Breaker, 12V, 40A
510947-50	Breaker, 12V, 50A
514141	Breaker, 150A
510948-06	Buss bar, Copper
510946-06	Bracket, Breaker, 6 position

### Fuses

500773-01	Fuse, ATC, 12VDC, 1 Amp
500773-05	Fuse, ATC, 12V DC, 5 Amp
500773-07	Fuse, ATC, 12V DC, 7.5 amp
500773-10	Fuse, ATC, 12 V DC, 10 amp
500773-15	Fuse, ATC, 12V DC, 15 amp
500773-20	Fuse, ATC, 12V DC, 20 amp
500773-25	Fuse, ATC, 12V DC, 25 amp
500773-30	Fuse, ATC, 12V DC, 30 amp
512660-50	Terminal fuse, 50 Amp, Red
512660-150	Terminal fuse, 150 Amp, Orange
512660-200	Terminal fuse, 150 Amp, Blue
512278-50	Fuse, Type BF1-32, 50A
513661	Fuse Holder, For CBBF Fuse, w/Stud, 200A MIDI

### Cable Kits, Main 12VDC

513989	Cable Kit, 12V DC
514109	Cable Kit, 12V DC, GL/GT, E1 Package Option
513764	Optional cable kit for lift kits

### Monitor Panel

513069-01	Flush mount monitor panel only
514051-01	Seelevel Pad, 12"

## ELECTRICAL, 12 VOLT

### Switches and Relays

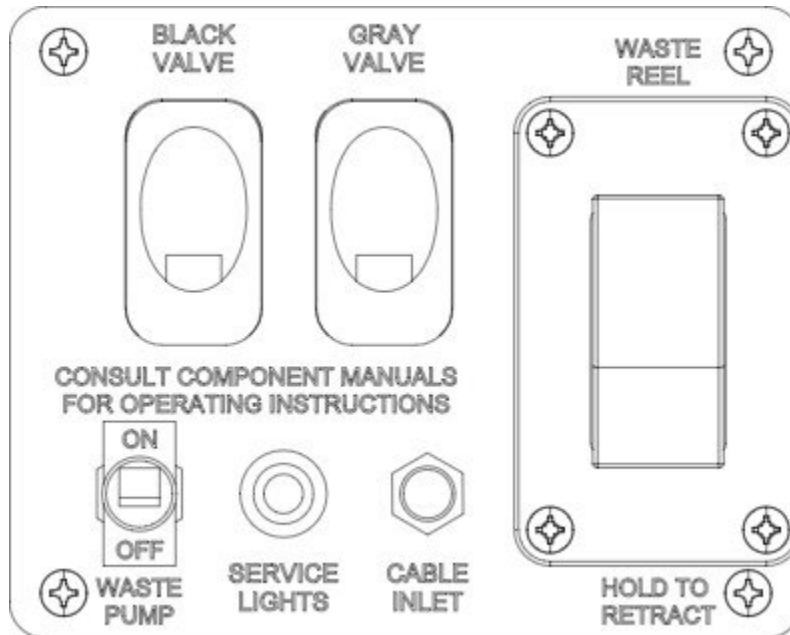
513392	Main Disconnect Switch, 12V, 275A
514061-04	Pushbutton, Power, Volta, E1 Package Option
514099	Pushbutton, Silver Latching, Step, E1 Package Option
386573-03	Plate, Decorative, Battery Power & Step Hold, E1 Package Option
510658	Switch, w/Weatherproof boot
510658-01	Switch, Push button
510658-02	Push Button, Boot, Full, Black 131
513128	Switch, DPDT, Momentary On/Off/On
512849	Switch, Magnetic, Used on step and overhead locker
513580	Switch, Ottoman
512434	Switch, Heavy duty, 25A, LPG Remote Tank Fill
386373	Plate, Adhesive, Toggle Switch, On/Off Legend
510562	Transfer Switch, Generator
513258	Relay, Pilot Control, 10A
514372	Relay, 2SPDT, RIBU2C, 110
510844-01	Relay, Bosch, 0 332 209 151
514178-01	Relay Bus Cover, (6POS)

### Buzzer

512515	Buzzer, Low Current, Sonic, 10mA, 12V
--------	---------------------------------------

## ELECTRICAL, 12 VOLT

### Exterior Utility Compartment Switch Panel



- |             |   |
|-------------|---|
| 112790      | Install, Switch panel (not for order/see parts below) |
| 382083-9775 | Hatch, Electrical switches, Iridium Silver            |
| 382083T     | Hatch, Electrical switch, Tenorite Grey Metallic      |
| 386360      | Panel, Labeled  |
| 513128      | Switch, Dump Valve                                    |
| 602205-01   | Switch, Toggle, Macerator, 20A                        |
| 510658      | Switch, w/Weatherproof boot, Service lights, Black    |
| 510658-01   | Switch, Push button, Black                            |
| 510658-02   | Boot, Push Button, Black                              |
| 510623      | Coax connection                                       |
| 510623-01   | Coax connector locking nut                            |
| 513550      | Switch, Water hose reel                               |

## ELECTRICAL, 12 VOLT

### Interior Lights

512659-01	Tape light channel, 6'
512376	LED shower light, SS trim ring
513745	Light-LED Warm White Domed 5" Surface MNT
513673	Light - Overhead Swivel - LED
513724	Light Ring-Led Overhead Shower
512987	Light-Spot Led, Warm White, Frosted Lens
513070	Aisle Light, Motion Activated, #833.73.110
513750	Light-Illustra 20.0x44.0x20.0 W/Jumpers (3K)
200773	Light, Closeout reading, ABS
513847-01	Tape light, Reed, Ultra-thin, 8.3"
513036	LED, Red, 5/21" Hole, Panel Mount
513728	Light, Illustra, 20 x 70 x 20, 3K, Under Counter
513737	Sensor, PID LED light ring
514045	Light, Asile, Motion Activated

### LED Flex Tape Lights

513743-178	Light, LED Flex tape, 178"
513743-19	Light, LED Flex tape, 19.65"
513743-39	Light, LED Flex tape, 39.3"
513743-45	Light, LED Flex tape, 45.5"
513743-49	Light, LED Flex tape, 49.2"
513743-61	Light, LED Flex tape, 61"
513743-63	Light, LED Flex tape, 63"
513743-83	Light, LED Flex tape, 82.7"
513747-36	Light, LED Flex tape, 35"
513747-54	Light, LED Flex tape, 54"

### Exterior Lights

512909-05	LED pin light, Warm White
512909-03	Bezel, Nickel, LED Pin light
512909-01	Light, LED Pin, White
513672-01	Light, LED utility, 42"
513888	Light bar, 12V, 6000K, 24"
512829	Courtesy Light, Push Lens, Brushed Stainless (Tommy)

## ELECTRICAL, 12 VOLT

### Rearview Monitor Camera

513644	Rearview monitor/mirror, 7"
513644-100	Bracket Only, Mirror, w/Screws
513105	Camera kit, L/R mirror integrated w/controls and cables
513105-101	Side Mirror Cap Camera Mounts, For 513105
513105-102	Camera Connection Harness, For 513105
513105-103	Camera Switcher Harness, For 513105
513105-104	Camera Switcher, For 513105
513105-105	Side Camera, For 513105
513105-106	Front Camera Adapter Harness, For 513105
513104	Camera, 3 <sup>rd</sup> brake light w/eyeball
513104-100	Cable (Harness), 3rd Brake Light
513104-101	Cable, For Brake Light 513104
513197	Cable, 5pin to RCA power cable, 10 meter

## ENTERTAINMENT

### Audio

513949	Radio, Fusion, MS-RA70
513949-01	Cage, Single DIN for 513949
514209-1	Speaker, JBL, 3 Series, 6.5"
514209-4	Grill, JBL Speaker, 6.5"
514209-3	Speaker, JBL, 3 Series, 4"
514209-6	Grill, JBL Speaker, 4"
513907	Speaker/Subwoofer JBL Basspro Nano
510844-01	Relay, Bosch
513710-02	Antenna, Satellite radio, Sirius
701538-01	Carpet, Econoliner, Speaker covers
511645	Y-Cable, One RCA Female, to Two RCA Male
513635	Cable, Extension, M. FAKRA "Z" TO MALE TNC, 45"

### Video

514030	Antenna, King, Omni Digital, TV, Black
513793	Enclosure, King Antenna, Prewired
511635	Plate, Dual cable entry
512398-01	Wall Plate-Power Supply Black
510621-02	Splitter, Coax, 2-way
512406	Connector, RG6 Hex compression
512407	Coax cable, RG6
513751	Wall Jack - F-Type Coax
513050	Cable-Mini Coax 6' Blue
512366-10	HDMI cable, 10'
512366-20	HDMI cable, 20'
513787	Plate, Dual Coax, Duplex Style (Black)

## ENTERTAINMENT

### Forward TV, GL

113510	Install, TV, Forward, GL (not for order/see parts below)
690827	TV, Connexx, Smart, LED, 24"
455717	Assembly, Upper Bracket, Roof Bow Attachment
455737	Assembly, Lower Bracket, TV Mount
325132	Rivet, Bulb-Tite, .25"
300214	Washer, #10, 18-8, SS
350022-01	Nut Kep, 10-32 Cad Plated
382116-05	Cap, Rubber Screw, 3/16" BLK #97
320235	Screw, PANHD-M4X10MM-PH-SS-BLK

### Rear TV, GL

116146	Install, TV, RH Swing (not for order/see parts below)
690827	TV, Connexx, Smart, LED, 24"
512916-02	Articulating TV Mount, Tri Fold, Right Hand
350189	Tee Nut, 1/4-20
320235	Screw, PANHD-M4X10MM-PH-SS-BLK
345461-01	Screw, Cap Hex 1/4-20 X .63 BLK
382184-01	Sleeving, Split Braided .5" #20
382184	Sleeving, FLEXO, Braided, .75"
510623	Connector Coax, Male to Male
513050	Cable, MINI COAX, Blue, 6'

## ENTERTAINMENT

### Forward TV, GT

116146	Install, TV, RH Swing (not for order/see parts below)
690827	TV, Connexx, Smart, LED, 24"
512916-02	Articulating TV Mount, Tri Fold, Right Hand
350189	Tee Nut, 1/4-20
320235	Screw, PANHD-M4X10MM-PH-SS-BLK
345461-01	Screw, Cap Hex 1/4-20 X .63 BLK
382184-01	Sleeving, Split Braided .5" #20
382184	Sleeving, FLEXO, Braided, .75"
510623	Connector Coax, Male to Male
513050	Cable, MINI COAX, Blue, 6'

### Rear TV, GT

113173	Install, TV, LH Swing (not for order/see parts below)
690827	TV, Connexx, Smart, LED, 24"
512916-01	Articulating TV Mount, Tri Fold, Left Hand
350189	Tee Nut, 1/4-20
320235	Screw, PANHD-M4X10MM-PH-SS-BLK
345461-01	Screw, Cap Hex 1/4-20 X .63 BLK
382184-01	Sleeving, Split Braided .5" #20
510623	Connector Coax, Male to Male
513050	Cable, MINI COAX, Blue, 6'

### Connected Kit Aftermarket, For Prewired Units

514215	Router, Peplink-Max, Bri Mini, HW3
513637-12	Antenna, Wi-Fi/Cellular, Black
513637-13	Harness, 5M, 2 Wi-Fi ,1 GPS, 2 Cellular
513637-02	Mounting kit, Wi-Fi Antenna
513495-AG	Wi-Fi switch plate
513469	Key switch, ON/OFF



## FLOOR COVERINGS

### Floor Covering

704351	Flooring, Luxury Woven Vinyl, Teak
705019	Flooring, LINO, GL
705020	Flooring, LINO, GT
923012	Cab to main floor transition
701538-01	Carpet, Econolier Velour Black w/PSA back applied
704484	Rear carpet w/air ride
704741	Carpet Runner, GL
704649	Front Carpet, TB
704690	Carpet runner, GT
704862-01	Mat, Vinyl, Behind driver
704862-02	Mat, Vinyl, Behind passenger
704854	Carpet, Black, PSA, w/Liner

## FURNITURE, INTERIOR DOORS AND MIRRORS

### Interior Doors

968579	Bath door, Aft, Macchiato, GL
968579-01	Bath door, Aft, Macchiato, GT
802225	Kit, Louvered

### Roof Locker Doors

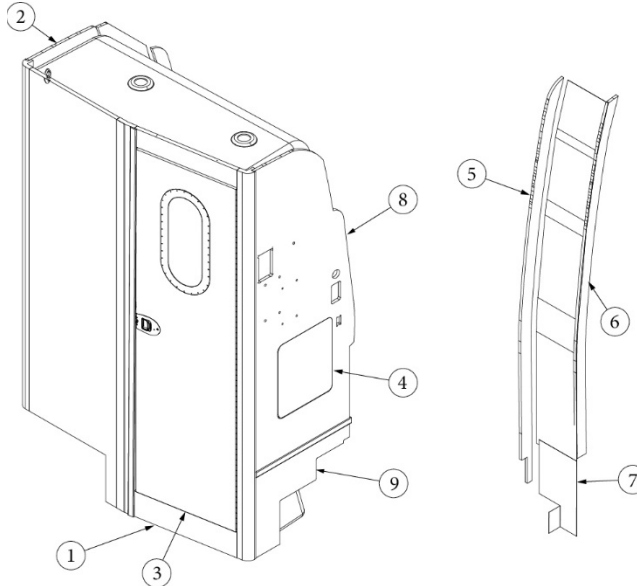
802863-1139	Door, Macchiato, 12.38 x 31.5"
802863-1339	Filler, Macchiato, 12.38 X 2.88"
802863-1439	Door, Macchiato, 12.38 X 22.44"
802863-1739	Door, Macchiato, 12.38 x 18"
802863-1239	Door, Macchiato, 12.38 X 17.38"
802863-1539	Door, Macchiato, 12.38 X 24.75"
802863-1639	Door, Macchiato, 12.38 X 28.81"
802863-0339	Door, Macchiato, 12.38 X 20.25"

### Mirrors

371423-01	Retainer Clip, Mirror 1.88"
371423-02	Mirror, Wall mount, Chrome, 8"
203963	Mirror, Vanity visor

## FURNITURE, LAVATORY

### Wet Bath Module, GL



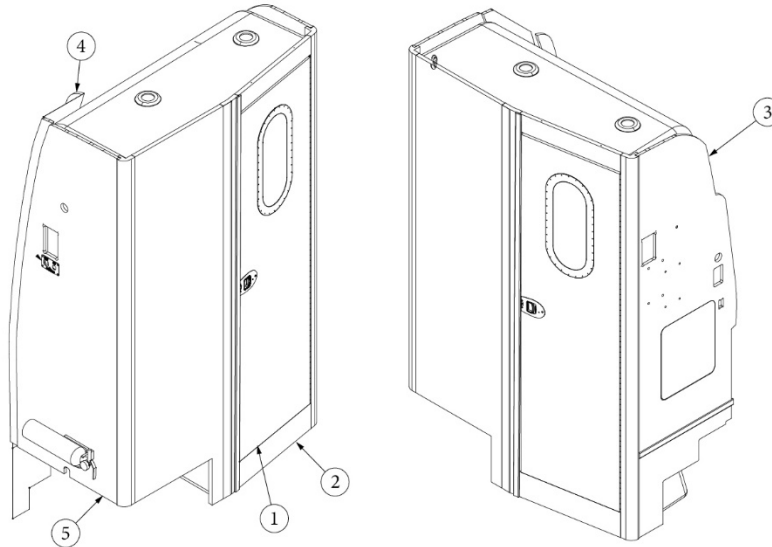
112237

Wet Bath Module (not for order/see parts below)

- |                    |  |
|--------------------|--|
| 1. 112237&0001FF01 | Face Frame, Wet Bath                   |
| 2. 112237&000212BH | Pre laminate, 21.93 X 65"              |
| 3. 968579          | Assy-Aft Bath Door-LG-TB               |
| 4. 112237&001112BB | Pre laminate, .5 X 11.88 X 13.88"      |
| 5. 112237&001212BB | Pre laminate, 5 X 2.25 X 73.14         |
| 6. 112237&001312BB | Pre laminate,.5 X 2 X 64.4             |
| 7. 116167-02       | Aluminum, .024 x 22.5"                 |
| 8. 969260          | Panel, Shower Aft                      |
| 9. 112237&002912BB | Pre laminate, 21.66 X 15.94"           |
| 112237&003012BB    | Panel -2.25 X 18                       |
| 203799             | Shower stall, Fiberglass               |
| 690707             | Toilet, Dometic 301, White             |
| 968332             | Closeout, Toilet Plumbing              |
| 602251             | Faucet, Pull-out, Chrome               |
| 602480             | Shower head mount, Adjustable          |
| 371423-02          | Mirror, Wall mount, Chrome             |
| 602175             | Toilet paper holder                    |
| 382098             | Towel bar handle, 14.25", Gloss Chrome |
| 203625-02          | Under sink access panel                |
| 382063             | Retractable clothesline                |
| 701538-01          | Carpet, Econolier                      |
| 201666-01          | J-molding, 3/16", Plastic, White       |
| 203641             | Trim-Shower Upper NCV3                 |
| 203642             | Trim-Shower Lower NCV3                 |
| 800573-0139        | Molding .25 X 1.09 X 80" Flat          |
| 801818-0039        | Wood Plugs 3/8" Tapered                |

## FURNITURE, LAVATORY

### Wet Bath Module, GL, E1 Package Option



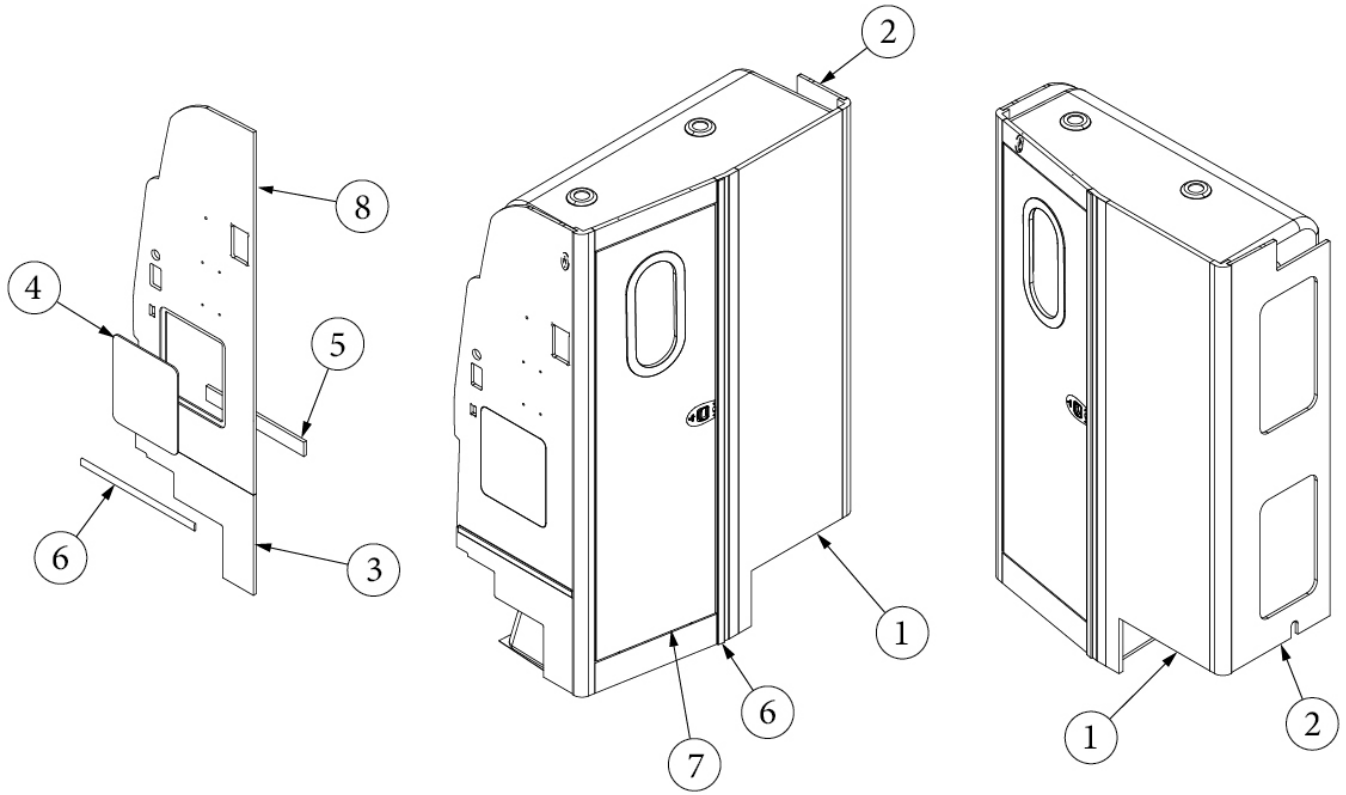
135002-01

Wet Bath Module (not for order/see parts below)

- |                |  |
|----------------|--|
| 1. 968579      | Bath door assembly                     |
| 2. 968251-0039 | Face Frame, Wet Bath, Macchiato        |
| 3. 969889-01   | Assembly, Back Wet Bath Module Panel   |
| 4. 969889-02   | Assembly, Side Wet Bath Module Panel   |
| 5. 969889-03   | Assembly, Front Wet Bath Module Panel  |
| 116167-02      | Aluminum, .024 x 22.5"                 |
| 969260         | Panel, Shower Aft                      |
| 998202         | Shower curtain assembly                |
| 203799         | Shower stall, Fiberglass               |
| 690707         | Toilet, Dometic 301, White             |
| 968332         | Closeout, Toilet Plumbing              |
| 602251         | Faucet, Pull-out, Chrome               |
| 602480         | Shower head mount, Adjustable          |
| 371423-02      | Mirror, Wall mount, Chrome             |
| 602175         | Toilet paper holder                    |
| 382098         | Towel bar handle, 14.25", Gloss Chrome |
| 203625-02      | Under sink access panel                |
| 382063         | Retractable clothesline                |
| 701538-01      | Carpet, Econolier                      |
| 201666-01      | J-molding, 3/16", Plastic, White       |
| 203641         | Trim-Shower Upper NCV3                 |
| 203642         | Trim-Shower Lower NCV3                 |
| 800573-0139    | Molding .25 X 1.09 X 80" Flat          |
| 801818-0039    | Wood Plugs 3/8" Tapered                |

# FURNITURE, LAVATORY

## Wet Bath Module, GT



Parts Listed on Next Page

## FURNITURE, LAVATORY

### Wet Bath Module, GT

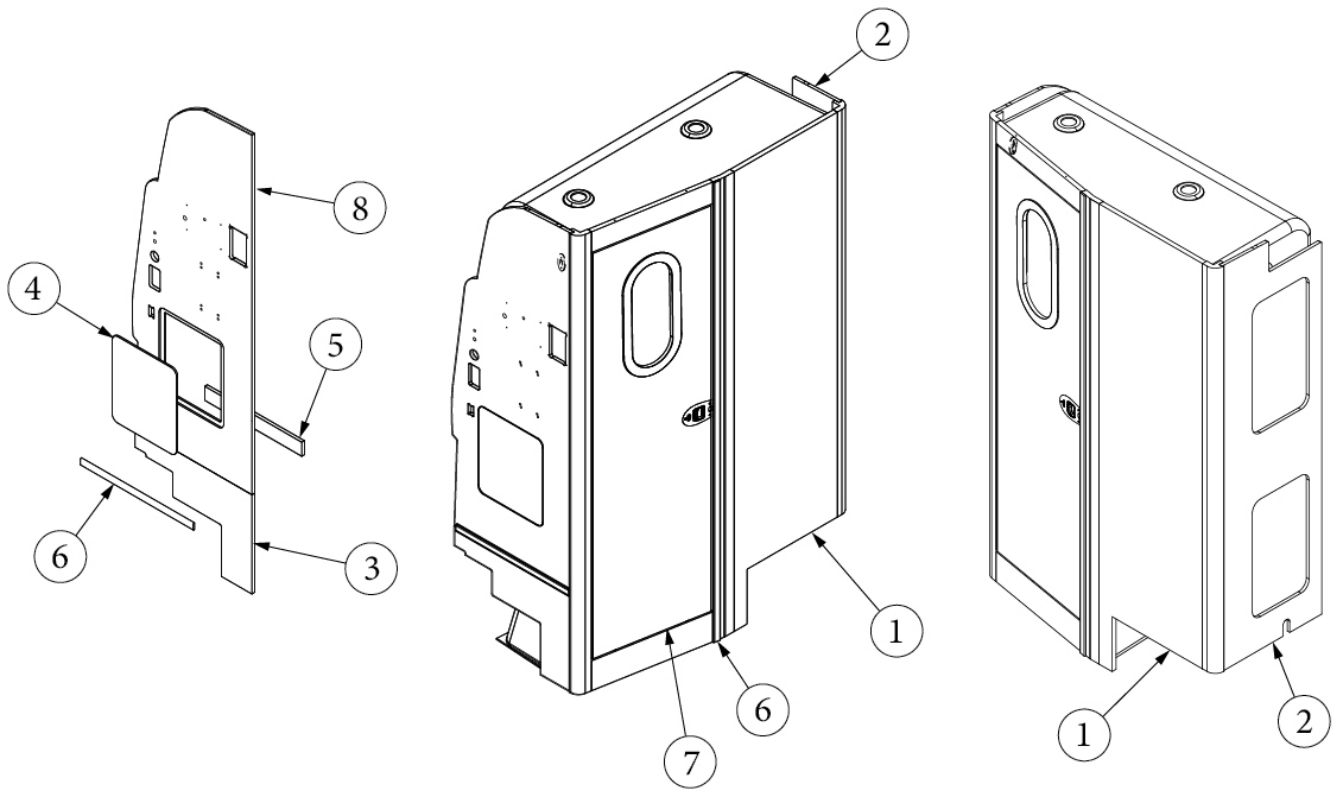
969259-01

Assy-Shower Module (GT)

- |                    |                                     |
|--------------------|-------------------------------------|
| 1. 968128-0039     | Face Frame-RS Wet Bath              |
| 2. 969259&010112BB | Pnl-Prelam 24.32 X 65.04            |
| 3. 969259&010212BB | Pnl-Prelam 20.66 X 15.94            |
| 4. 969259&010312BB | Pnl-Prelam 11.88 X 13.88            |
| 5. 969259&010412BB | Pnl-Prelam 2.25 X 18.00             |
| 6. 800573-0139     | Molding .25 X 1.09 X 80" Flat       |
| 7. 968579-01       | Door Assy - Aft Bath LH Hinge       |
| 8. 969255&000112BB | Panel, Shower GT AFT                |
| 100097             | Extr. Alum Curtain Track            |
| 114070             | Extrusion, J Trim, Mill Finish      |
| 201666-01          | Molding-J 3/16" White Plastic       |
| 203637             | Pads-Sound Dampener#630 Sikadamp    |
| 203789             | GT Shower Module W/Sink RS Wet Bath |
| 203794             | Trim-Shower Upper RS                |
| 203795             | Trim-Shower Lower Roadside          |
| 371423-01          | Retainer Clip- Mirror 1.88"         |
| 371423-02          | Mirror-Wall MT 8" Chrome            |
| 382063             | Clothesline-Retractable #DRY-01101  |
| 382098             | Handle-Gloss Chrm 14.25" Towel Bar  |
| 600594-01          | Drain-Sink W/Wht Rubber Stop        |
| 600594-02          | Drain, Shower w/black strainer      |
| 602251             | Faucet-Pull Out Chrome              |
| 602480             | Shower head mount, Adjustable       |
| 700822             | Velcro Hook, Circle - Adhesive      |
| 382686             | Dispenser, Soap, Chrome             |
| 203789-02          | Access Door For 203789              |
| 801818-0039        | Wood Plugs 3/8" Tapered             |

# FURNITURE, LAVATORY

## Wet Bath Module, GT, E1 Package Option



Parts Listed on Next Page

## FURNITURE, LAVATORY

### Wet Bath Module, GT, E1 Package Option

969812-01

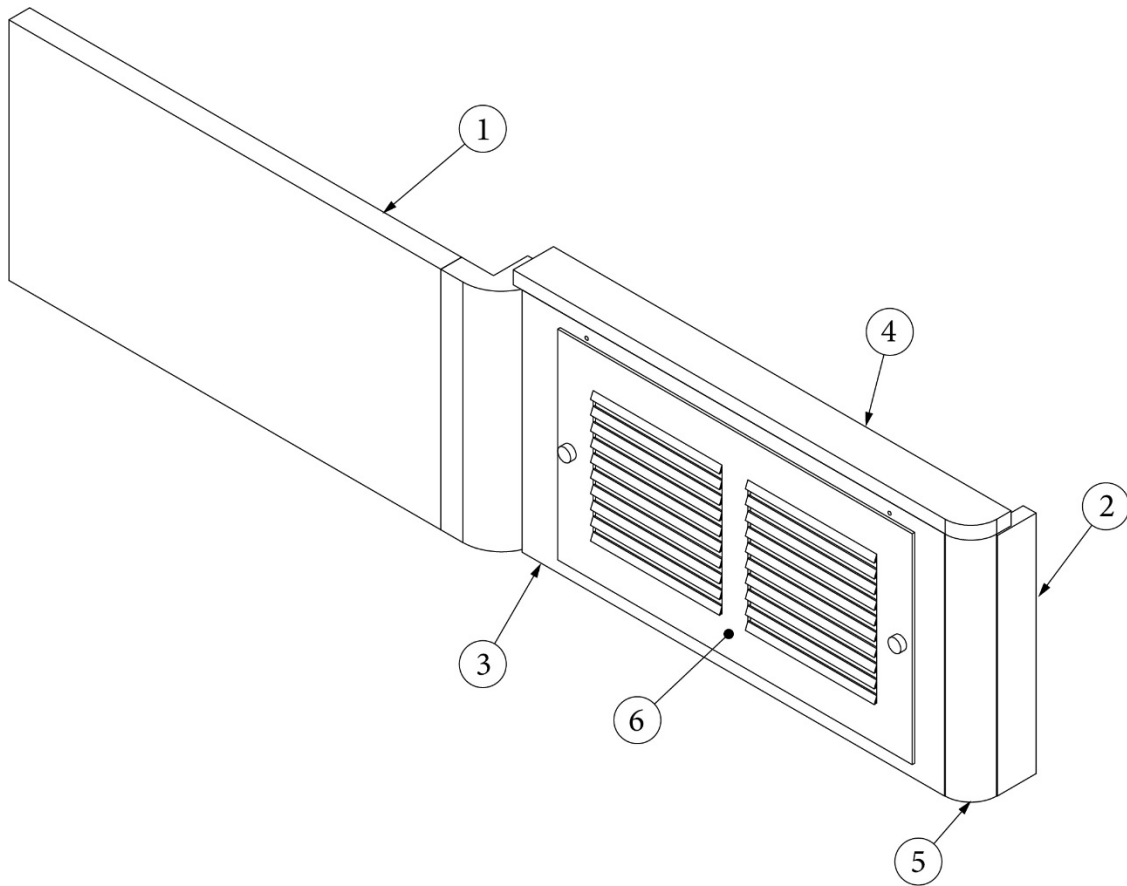
Assy-Shower Module (GT)

1. 968128-0039 Face Frame, RS Wet Bath, Macchiato
2. 969812&000112BB Pre laminate, 18.5 x 65.04"
3. 969812&000212BB Pre laminate,.5 x 21.66 x 15.94"
4. 969812&000312BB Pre laminate,.5 x 11.88 x 13.88"
5. 969812&000412BB Pre laminate, .50x 2.25 x 18"
6. 800573-0139 Molding, Flat Door Edge, Macchiato
7. 968579-01 Assembly, Aft bath Door
8. 969812&000812BB Pre laminate, 22.12 x 57.75"  
100097 Extr. Alum Curtain Track  
114070 Extrusion, J Trim, Mill Finish  
201666-01 Molding-J 3/16" White Plastic  
203637 Pads-Sound Dampener#630 Sikadamp  
203789 GT Shower Module W/Sink RS Wet Bath  
203794 Trim-Shower Upper RS  
203795 Trim-Shower Lower Roadside  
371423-01 Retainer Clip- Mirror 1.88"  
371423-02 Mirror-Wall MT 8" Chrome  
382063 Clothesline-Retractable #DRY-01101  
382098 Handle-Gloss Chrm 14.25" Towel Bar  
600594-01 Drain-Sink W/Wht Rubber Stop  
600594-02 Drain, Shower w/black strainer  
602251 Faucet-Pull Out Chrome  
602480 Shower head mount, Adjustable  
700822 Velcro Hook, Circle - Adhesive  
382686 Dispenser, Soap, Chrome  
203789-02 Access Door For 203789  
801818-0039 Wood Plugs 3/8" Tapered



## FURNITURE, LAVATORY

### Waste Tank Cover, Lavatory



112171

Install, Waste Tank Cover (not for order/see parts below)

- 1. 968170-0039
- 2. 112171&000412BB
- 3. 112171&000512BB
- 4. 112171&001012BB
- 5. 801415-0039
- 6. 382298-01
- 350201
- 345539

Waste tank cover assembly, Macchiato

1.5 x 8.75"

16.38 x 8.81"

17.56 x 1.06"

Corner radius, Macchiato, 1"

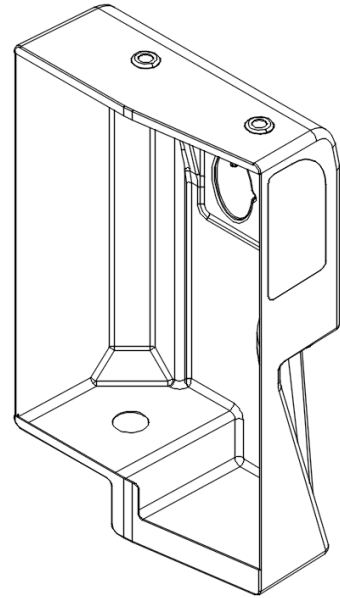
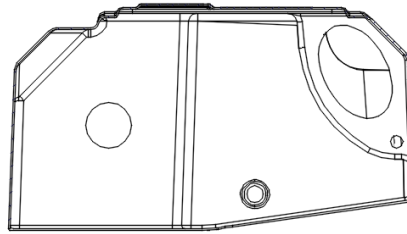
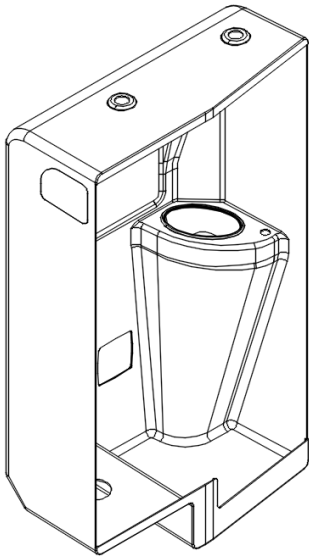
Grill, Black, 12 x 6"

Tee nut, 8-32 x 1/4"

Thumb screw, Black plastic head, 8-32 x 7/8"

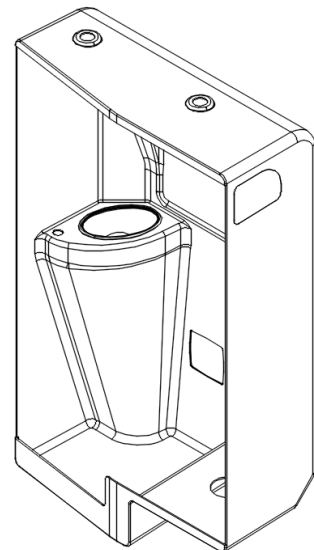
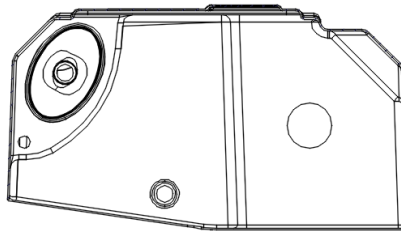
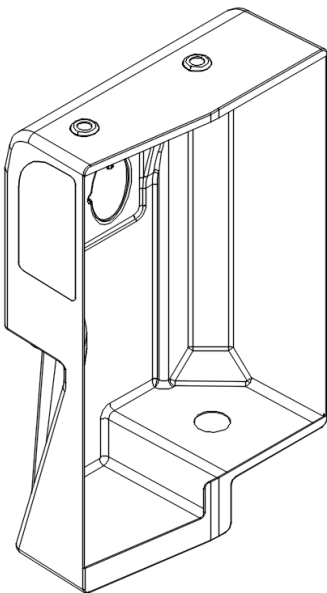
## FURNITURE, LAVATORY

### Shower Module, GL



203799 Shower stall, Fiberglass  
203625-02 Under sink access panel  
602251 Faucet, Pull-out

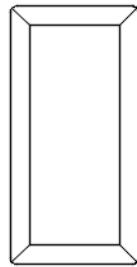
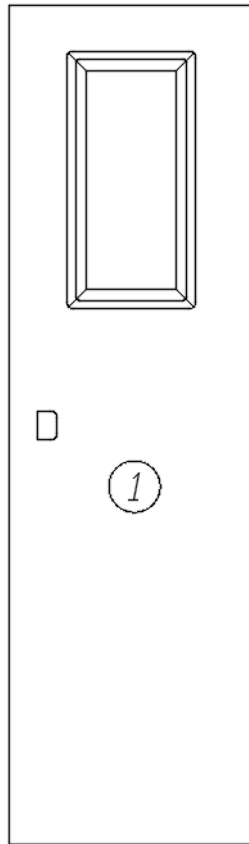
### Shower Module, GT



203789 Shower stall, Fiberglass  
203789-02 Under sink Access panel  
602251 Faucet, Pull-out, Chrome

## FURNITURE, LAVATORY

### Lavatory Door, Aft



2



3



4

968579  
968579-01  
802225

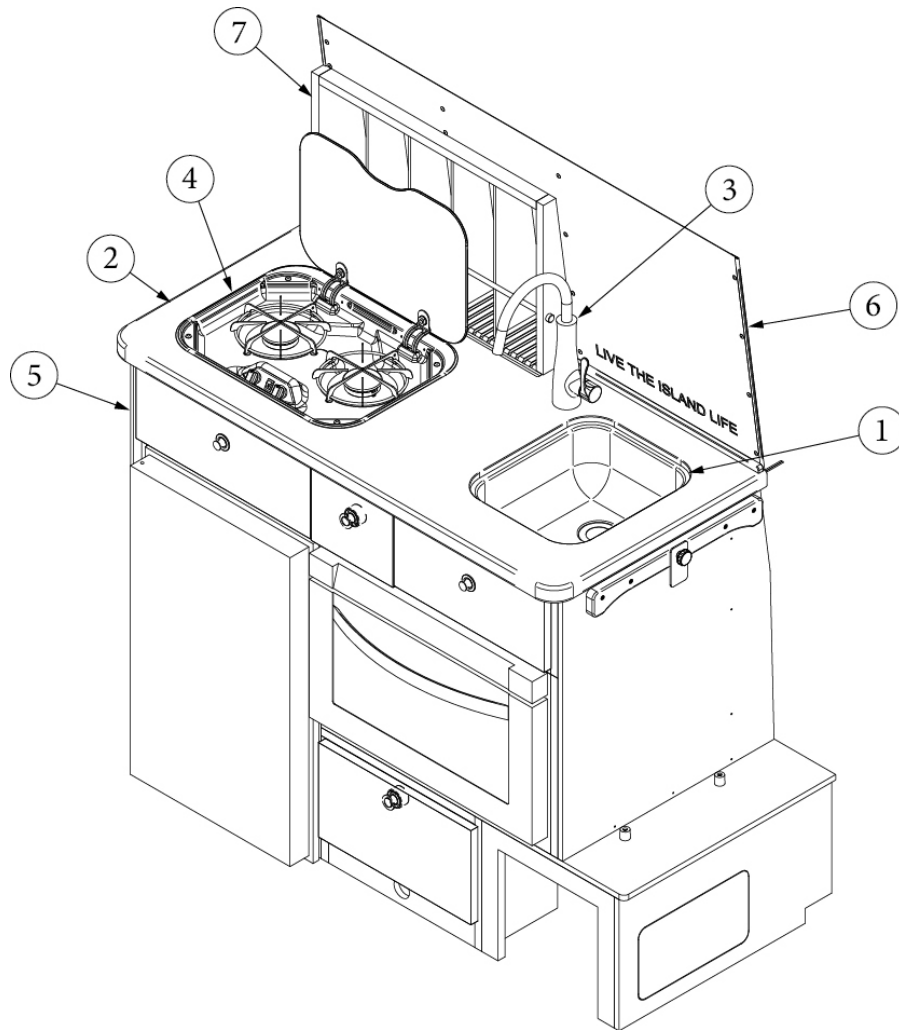
Aft Lavatory Door, RH hinge, GL  
Aft Lavatory Door, LH hinge, GT  
Louvered Bath Door Kit

1. 968579&000118BB  
968579&010118BB
2. 802225-01
3. 802225-02
4. 802225-03  
382125  
382055  
382061

Pre laminate, 19 x 6  
Pre laminate, 19 x 6  
Wood trim ring  
Wood louver assembly  
Frosted White lexan  
Piano hinge, Clear Anodized  
Privacy latch, Omni  
Striker, Omni flat latch

## FURNITURE, GALLEY

### Galley Install, GL



113292  
113778

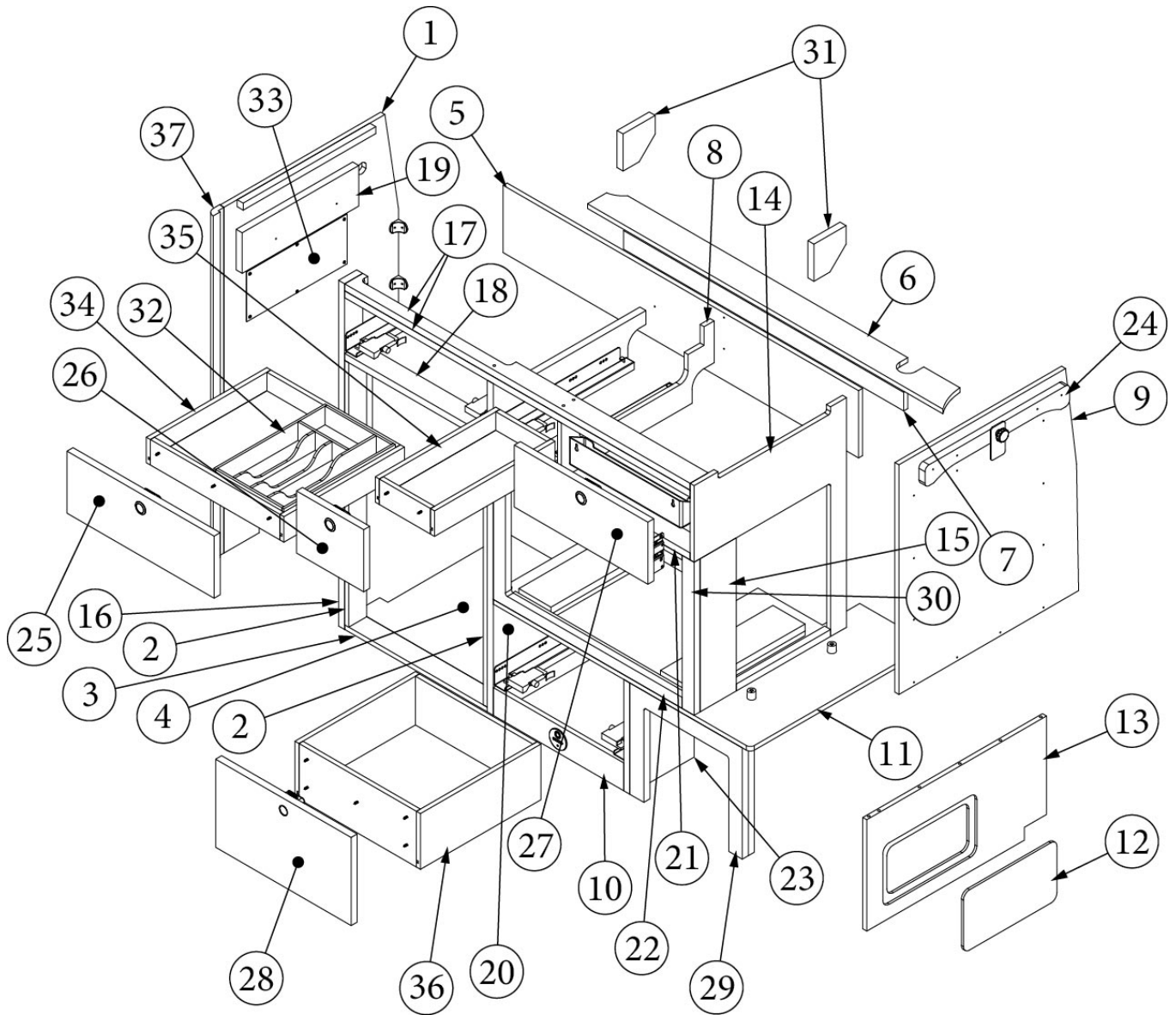
Galley, Install (not for order/see parts below)  
Countertop, Install (not for order/see parts below)

- |               |                                       |
|---------------|---------------------------------------|
| 1. 602260     | Sink, Stainless steel                 |
| 2. 602873-01  | Countertop, Galley                    |
| 3. 602899     | Faucet, No pull-down, Kohler Orb      |
| 4. 690816-01* | Cooktop, Two Burner, Suburban 3725AST |
| 5. 970493     | Assembly, Galley Cabinet              |
| 6. 116225-01  | Finished Backsplash - TB LNG          |
| 7. 968534     | Bar assembly                          |
| 513750        | Light, Under cabinet                  |

\*690816-01 (3725AST) replaces 690816 (3036AST) mid-model year 2025

# FURNITURE, GALLEY

## Galley Cabinet, GL



Parts Listed on Next Page

## FURNITURE, GALLEY

### Galley Cabinet, GL

970493

Assembly, Galley Cabinet

1. 970493&000112BB	Pre-Laminate, .5 X 21.75 X 37.25"
2. 970493&000212BB	Pre-Laminate, .5 X 2.25 X 28.5"
3. 970493&000312BB	Pre-Laminate, .5 X 2.25 X 17.75"
4. 970493&000412BB	Pre-Laminate, .5 X 17.75 X 18.5"
5. 970493&000512BB	Pre-Laminate, .5 X 7.25 X 44.25"
6. 970493&000612BB	Pre-Laminate, .5 X 3.37 X 44.25"
7. 970493&000712BB	Pre-Laminate, .5 X 2 X 34.88"
8. 970493&000812BB	Pre-Laminate, .5 X 19 X 7.5"
9. 970493&000912BB	Pre-Laminate, .5 X 22.38 X 24.75"
10. 970493&001012BB	Pre-Laminate, .5 X 16.25 X 3"
11. 970493&001112BB	Pre-Laminate, .5 X 22.38 X 32.75"
12. 970493&001212BB	Pre-Laminate, .5 X 11.63 X 6.5"
13. 970493&001312BB	Pre-Laminate, .5 X 22.38 X 12"
14. 970493&001412BB	Pre-Laminate, .5 X 18.98 X 24.75"
15. 970493&001512BB	Pre-Laminate, .5 X 4.50 X 16.5"
16. 970493&001618BB	Pre-Laminate, .75 X 2.25 X 37.25"
17. 970493&001718BB	Pre-Laminate, .75 X 2.25 X 43"
18. 970493&001818BB	Pre-Laminate, .75 X 2.25 X 17.75"
19. 970493&001918BB	Pre-Laminate, .75 X 4.38 X 14.5"
20. 970493&002018BB	Pre-Laminate, .75 X 19 X 35.75"
21. 970493&002118BB	Pre-Laminate, .75 X 2.25 X 24.5"
22. 970493&002218BB	Pre-Laminate, .75 X 23.50 X 16.5"
23. 970493&002318BB	Pre-Laminate, .75 X 18 X 12"
24. 970493&002418BB	Pre-Laminate, .75 X 18 X 2.25"
25. 970493&002518BB	Pre-Laminate, .75 X 18.31 X 6.69"
26. 970493&002618BB	Pre-Laminate, .75 X 8.38 X 6.69"
27. 970493&002718BB	Pre-Laminate, .75 X 16.63 X 6.69"
28. 970493&002818BB	Pre-Laminate, .75 X 16.88 X 9.5"
29. 970493&002918BB	Pre-Laminate, .75 X 14 X 12"
30. 970493&003018BB	Pre-Laminate, .75 X 1.50 X 16.5"
31. 970493&003118BB	Pre-Laminate, .75 X 4 X 4"
32. 968024	Insert, Cutlery Drawer
33. 116464	Aluminum Vent 12.50 X 5.38"
34. 968021-18	Drawer Box Assembly, 2.75 x 17.13 x 15"
35. 968021-19	Drawer Box Assembly, 2.75 x 17.13 x 15"
36. 968022-24	Drawer Box 6 x 15.63 x 15"
37. 801706-0039	Corner Trim, Macchiato, 90°

Parts Continued on Next Page

## FURNITURE, GALLEY

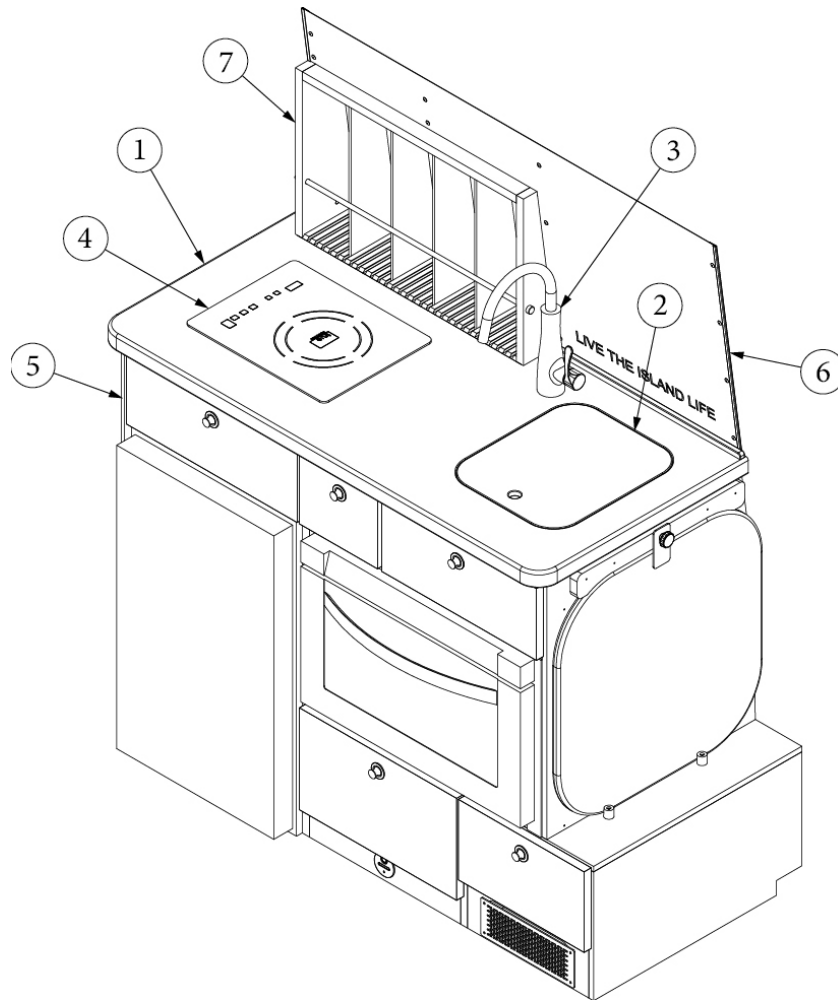
Parts Continued from Previous Page

### Galley Cabinet, GL

383069	Whisper Latch Assembly, Black Chrome
365412-01	Edgebanding, Macchiato, 5/8"
365412-02	Edgebanding, Macchiato, 15/16"
203445-03	T-Trim, Tan, 9/16 Tan
382070	Dots, Non-Skid Rubber, w/Adhesive
381136	Rubber Bumper
381686	Tray, Plastic, White, #FYPSF14, 14"
382095	Knob, Knurled, 1/4-20 x .50"
383035	Hinge, Scissor S.S.
385963	Bracket, Lambrequin Mounting, Angle
454721	Bracket, Pedestal Table Storage
382820-03	Drawer Slide, Soft-Close, HD, 15"
382820-06	Clips, HD, Adjustable Undermount Slides
690743	Micro-Drawer Type, No Browner
204010-01	Cover, Sink, Black, 14.13 X 11.88"
514385	USB. 12-24V 4.8A, A/C

## FURNITURE, GALLEY

### Galley Install, GL, E1 Package Option



113985

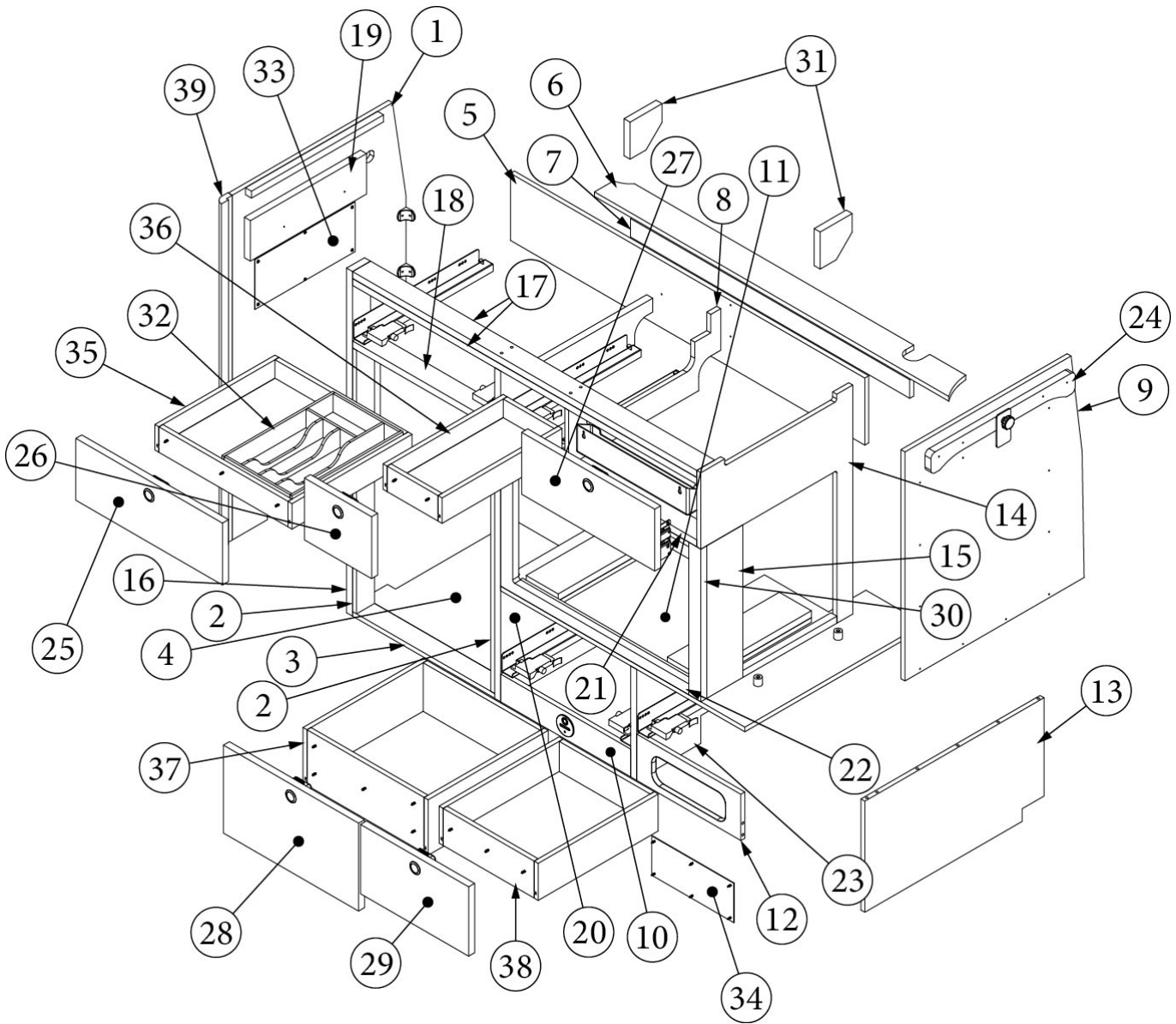
Galley, Install, E1 Package (not for order/see parts below)

- |                 |   |
|-----------------|---|
| 1. 602932       | Countertop, Galley, E1 Package Option       |
| 2. 204010-01    | Sink Cover, Black FDA                       |
| 3. 602899       | Faucet, No pull-down, Kohler Orb            |
| 4. 514023       | Cooktop, Induction, Single Burner, 1000W    |
| 5. 970495       | Assembly, Galley Cabinet, E1 Package Option |
| 6. 116225-01    | Finished Backsplash - TB LNG                |
| 7. 968534       | Bar assembly                                |
| 602260          | Sink, Stainless steel                       |
| 512659-01       | Tape Light, Adhesive Back                   |
| 513750          | Light, Under cabinet                        |
| 969920&000112BB | Closeout, RS Plumbing                       |
| 701538-01       | Carpet, Econoliner                          |



# FURNITURE, GALLEY

## Galley Cabinet, GL, E1 Package Option



Parts Listed on Next Page

## FURNITURE, GALLEY

### Galley Cabinet, GL, E1 Package Option

970495	Assembly, Galley Cabinet, E1 Package Option 1.
1. 970495&000112BB	Pre-Laminate, .5 X 21.75 X 37.25"
2. 970495&000212BB	Pre-Laminate, .5 X 2.25 X 28.50"
3. 970495&000312BB	Pre-Laminate, .5 X 2.25 X 17.75"
4. 970495&000412BB	Pre-Laminate, .5 X 17.75 X 18.5"
5. 970495&000512BB	Pre-Laminate, .5 X 7.25 X 44.25"
6. 970495&000612BB	Pre-Laminate, .5 X 3.37 X 44.25"
7. 970495&000712BB	Pre-Laminate, .5 X 2 X 34.88"
8. 970495&000812BB	Pre-Laminate, .5 X 19 X 7.50"
9. 970495&000912BB	Pre-Laminate, .5 X 22.38 X 24.75"
10. 970495&001012BB	Pre-Laminate, .5 X 16.25 X 3"
11. 970495&001112BB	Pre-Laminate, .5 X 22.38 X 31.25"
12. 970495&001212BB	Pre-Laminate, .5 X 13 X 5"
13. 970495&001312BB	Pre-Laminate, .5 X 22.38 X 12"
14. 970495&001412BB	Pre-Laminate, .5 X 18.98 X 24.75"
15. 970495&001512BB	Pre-Laminate, .5 X 4.50 X 16.5"
16. 970495&001618BB	Pre-Laminate, .75 X 2.25 X 37.25"
17. 970495&001718BB	Pre-Laminate, .75 X 2.25 X 43"
18. 970495&001818BB	Pre-Laminate, .75 X 2.25 X 17.75"
19. 970495&001918BB	Pre-Laminate, .75 X 4.38 X 14.50"
20. 970495&002018BB	Pre-Laminate, .75 X 19 X 35.75"
21. 970495&002118BB	Pre-Laminate, .75 X 2.25 X 24.50"
22. 970495&002218BB	Pre-Laminate, .75 X 23.50 X 16.50"
23. 970495&002318BB	Pre-Laminate, .75 X 18 X 12"
24. 970495&002418BB	Pre-Laminate, .75 X 18 X 2.25"
25. 970495&002518BB	Pre-Laminate, .75 X 18.31 X 6.69"
26. 970495&002618BB	Pre-Laminate, .75 X 8.38 X 6.69"
27. 970495&002718BB	Pre-Laminate, .75 X 16.63 X 6.69"
28. 970495&002818BB	Pre-Laminate, .75 X 16.88 X 9.50"
29. 970495&002918BB	Pre-Laminate, .75 X 13.50 X 7.50"
30. 970495&003018BB	Pre-Laminate, .75 X 1.50 X 16.50"
31. 970495&003118BB	Pre-Laminate, .75 X 4 X 4"
32. 968024	Insert, Cutlery Drawer
33. 116464	Aluminum Vent 12.5 X 5.38"
34. 116465	Aluminum Vent 10.25 X 4.25"
35. 968021-18	Drawer Box Assembly, 2.75 x 17.13 x 15"
36. 968021-19	Drawer Box Assembly, 2.75 x 17.13 x 15"
37. 968022-24	Drawer Box 6 x 15.63 x 15"
38. 968224-08	Drawer Box Assembly, 9.35 X 12"
39. 801706-0039	Corner Trim, Macchiato, 90°

Parts Continued on Next Page

## FURNITURE, GALLEY

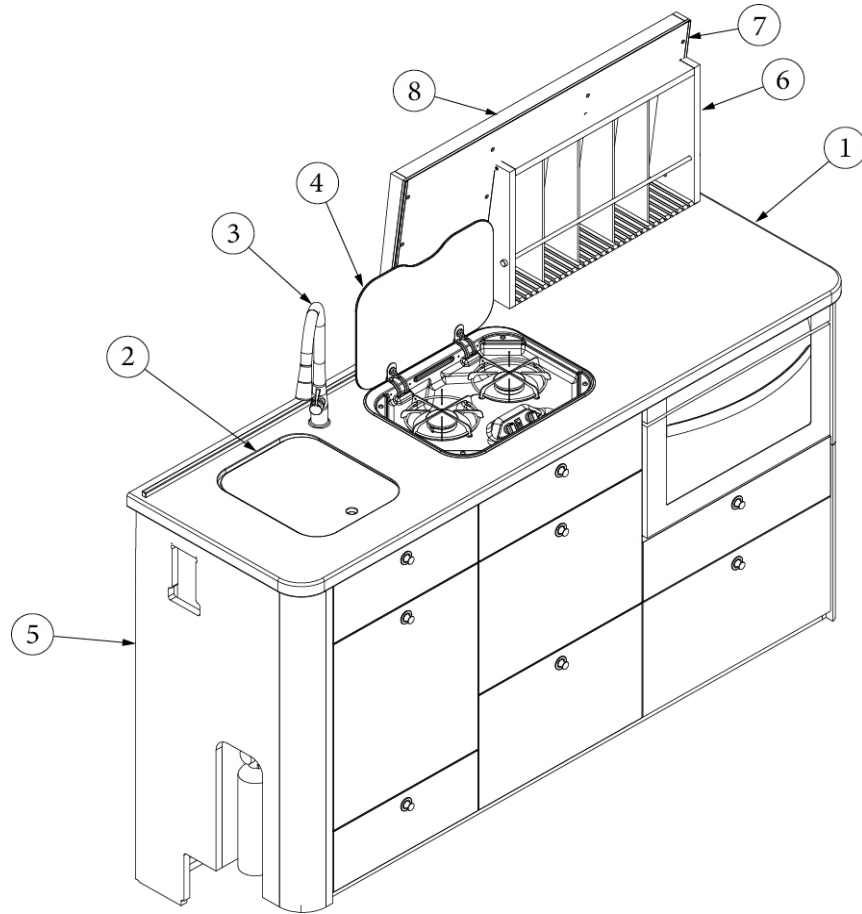
Parts Continued from Previous Page

### Galley Cabinet, GL, E1 Package Option

383069	Whisper Latch Assembly, Black Chrome
365412-01	Edgebanding, Macchiato, 5/8"
365412-02	Edgebanding, Macchiato, 15/16"
203445-03	T-Trim, Tan, 9/16 Tan
382070	Dots, Non-Skid Rubber, w/Adhesive
381136	Rubber Bumper
381686	Tray, Plastic, White, #FYPSF14, 14"
382095	Knob, Knurled, 1/4-20 x .50"
383035	Hinge, Scissor S.S.
385963	Bracket, Lambrequin Mounting, Angle
454721	Bracket, Pedestal Table Storage
382820-03	Drawer Slide, Soft-Close, HD, 15"
382820-06	Clips, HD, Adjustable Undermount Slides
690743	Micro-Drawer Type, No Browner
204010-01	Cover, Sink, Black, 14.13 X 11.88"
514385	USB. 12-24V 4.8A, A/C
512659-01	Tape Light, Adhesive Back
513750	Light, Under cabinet

## FURNITURE, GALLEY

### Galley Install, GT



113770  
113772

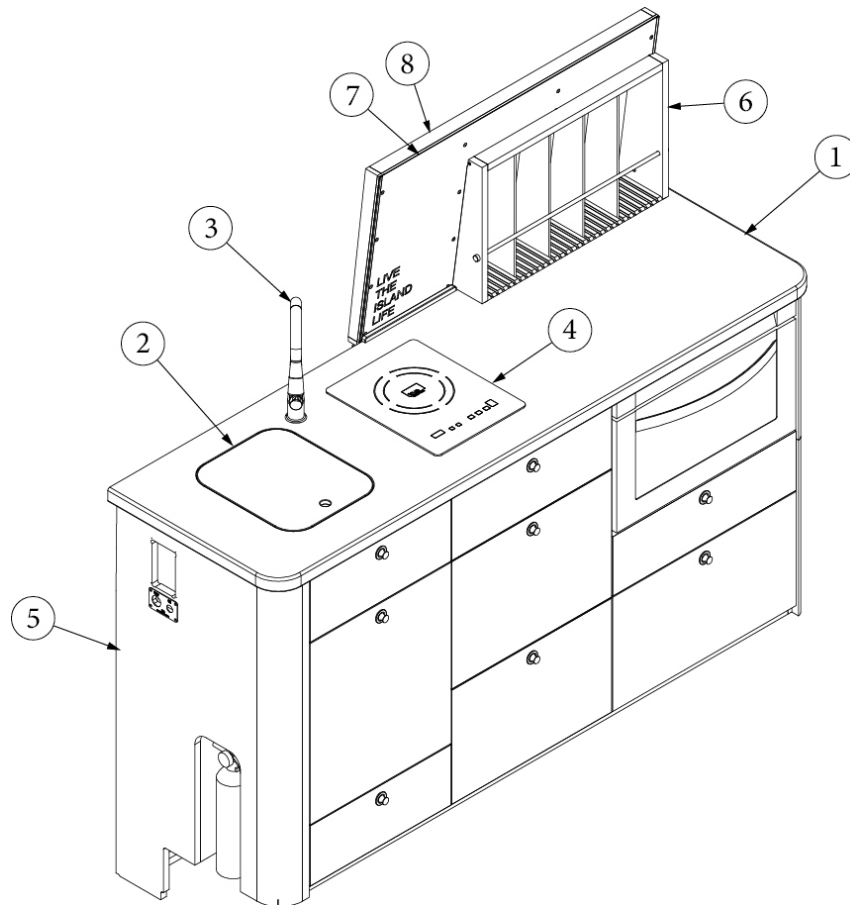
Install, Galley (not for order/see parts below)  
Install, Countertop, GT (not for order/see parts below)

- |               |                                       |
|---------------|---------------------------------------|
| 1. 602473     | Countertop, Galley                    |
| 2. 204010-01  | Sink Cover, Black FDA                 |
| 3. 602634     | Faucet, Single hole, Simplice         |
| 4. 690816-01* | Cooktop, Two Burner, Suburban 3725AST |
| 5. 970490     | Galley Cabinet, GT                    |
| 6. 968534     | Bar assembly                          |
| 7. 116224-01  | Finished Backsplash - TB GT           |
| 8. 969327     | Window Box, CS, Mid                   |
| 602260        | Sink, Stainless steel                 |
| 513728        | Light, Illustra, 20 x 70 x 20, 3K     |
| 512659-01     | Channel, Black Tape Light, 6'         |

\*690816-01 (3725AST) replaces 690816 (3036AST) mid-model year 2025

## FURNITURE, GALLEY

### Galley Install, GT, E1 Package Option



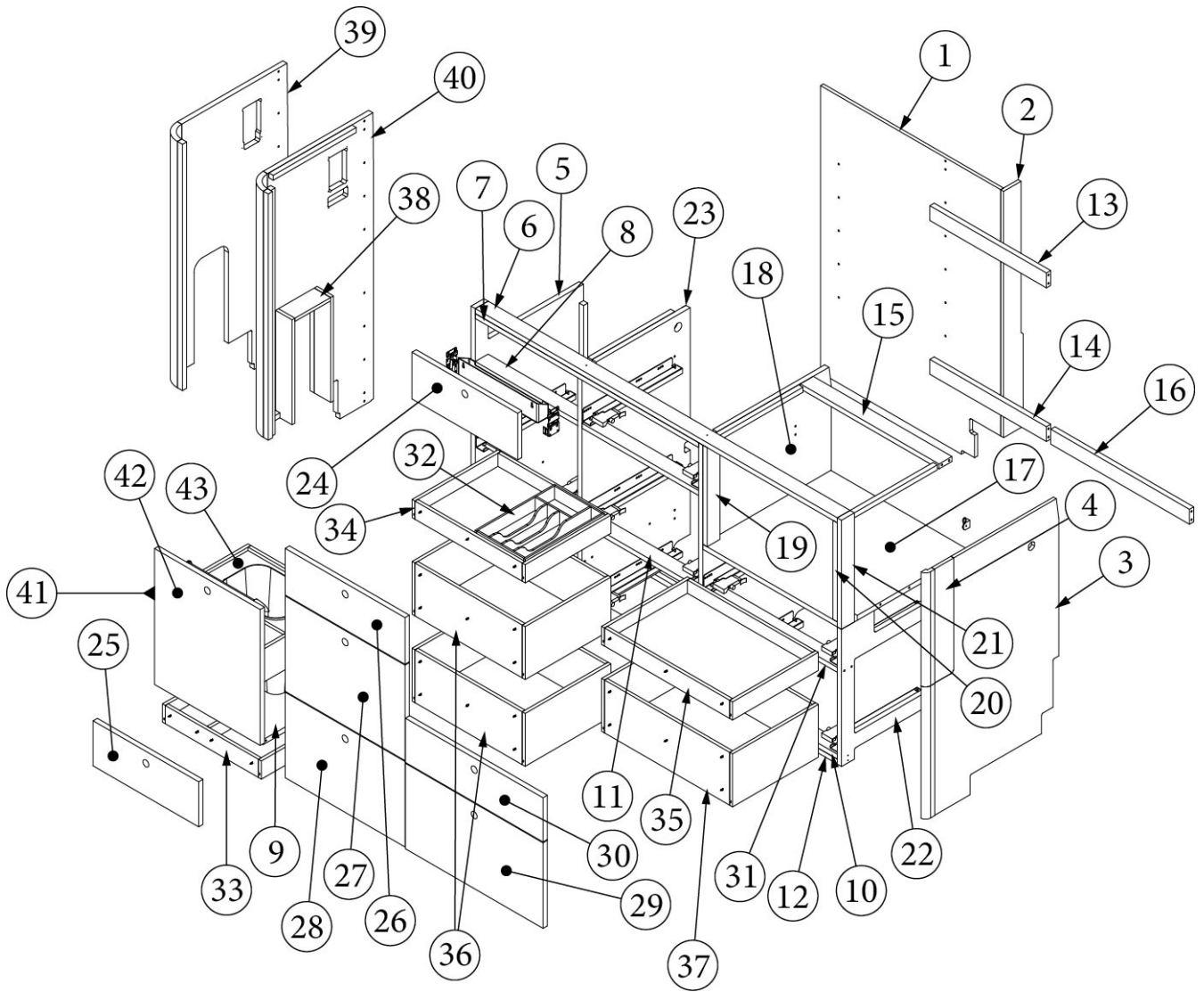
113888

Install, Galley (not for order/see parts below)

- |              |  |
|--------------|--|
| 1. 602914    | Countertop, Galley                           |
| 2. 204010-01 | Sink Cover, Black FDA                        |
| 3. 602634    | Faucet, Single hole, Simplice                |
| 4. 514023    | Cooktop, Induction, Single Burner, 1000W     |
| 5. 970490-01 | Galley Cabinet, GT, E1 Package Option        |
| 6. 968534    | Bar assembly                                 |
| 7. 116224-01 | Finished Backsplash - TB GT                  |
| 8. 969327    | Window Box, CS, Mid                          |
| 602260       | Sink, Stainless steel                        |
| 513728       | Light, Illustra, 20 x 70 x 20, 3K            |
| 512659-01    | Channel, Black Tape Light, 6'                |
| 386573-03    | Plate, Decorative, Battery Power & Step Hold |

# FURNITURE, GALLEY

## Galley Cabinet, All Model GT's



Parts Listed on Next Page

## FURNITURE, GALLEY

### Galley Cabinet, All Model GT's

970490	Assembly, Galley Cabinet, LP Model
970490-01	Assembly, Galley Cabinet, E1 Package Option
1. 970490&000112BB	Pre-Laminate, .5 X 31.33 X 37.25"
2. 970490&000212BB	Pre-Laminate, .5 X 3.43 X 37.25"
3. 970490&000312BB	Pre-Laminate, .5 X 21.72 X 37.25"
4. 970490&000412BB	Pre-Laminate, .5 X 3.38 X 17.25"
5. 970490&000518BB	Pre-Laminate, .75 X 18.92 X 37.25"
6. 970490&000618BB	Pre-Laminate, .75 X 2.25 X 63.28"
7. 970490&000718BB	Pre-Laminate, .75 X 2.25 X 39.03"
8. 970490&000818BB	Pre-Laminate, .75 X 2.25 X 17.91"
9. 970490&000918BB	Pre-Laminate, .75 X 16 X 17.91"
10. 970490&001018BB	Pre-Laminate, .75 X 2.25 X 63.28"
11. 970490&001118BB	Pre-Laminate, .75 X 2.25 X 20.38"
12. 970490&001218BB	Pre-Laminate, .75 X 2.25 X 63.28"
13. 970490&001318BB	Pre-Laminate, .75 X 2.25 X 20.38"
14. 970490&001418BB	Pre-Laminate, .75 X 2.25 X 20.38"
15. 970490&001518BB	Pre-Laminate, .75 X 2.25 X 24.25"
16. 970490&001618BB	Pre-Laminate, .75 X 2.25 X 24.25"
17. 970490&001718BB	Pre-Laminate, .75 X 22.38 X 24.25"
18. 970490&001818BB	Pre-Laminate, .75 X 22.47 X 37.25"
19. 970490&001918BB	Pre-Laminate, .75 X 2.25 X 15"
20. 970490&002018BB	Pre-Laminate, .75 X 2.25 X 15"
21. 970490&002118BB	Pre-Laminate, .75 X 2.25 X 16.5"
22. 970490&002218BB	Pre-Laminate, .75 X 15.62 X 20.75"
23. 970490&002318BB	Pre-Laminate, .75 X 18.92 X 37.25"
24. 970490&002418BB	Pre-Laminate, .75 X 18.47 X 7.06"
25. 970490&002518BB	Pre-Laminate, .75 X 18.47 X 6.81"
26. 970490&002618BB	Pre-Laminate, .75 X 20.93 X 7.06"
27. 970490&002718BB	Pre-Laminate, .75 X 20.93 X 14.43"
28. 970490&002818BB	Pre-Laminate, .75 X 20.93 X 12.94"
29. 970490&002918BB	Pre-Laminate, .75 X 24.06 X 12.93"
30. 970490&003018BB	Pre-Laminate, .75 X 24.06 X 6.68"
31. 970490&003118BB	Pre-Laminate, .75 X 2.25 X 23.5"
32. 968024	Insert, Cutlery Drawer
33. 968192-02	Drawer Box Assembly, w/Divider, 17.29 X 12"
34. 968021-06	Drawer Box Assembly, 2.75 X 19.75 X 15"
35. 968021-07	Drawer Box Assembly, 2.75 X 22.88 X 15"

Parts Continued on Next Page

## FURNITURE, GALLEY

Parts Continued from Previous Page

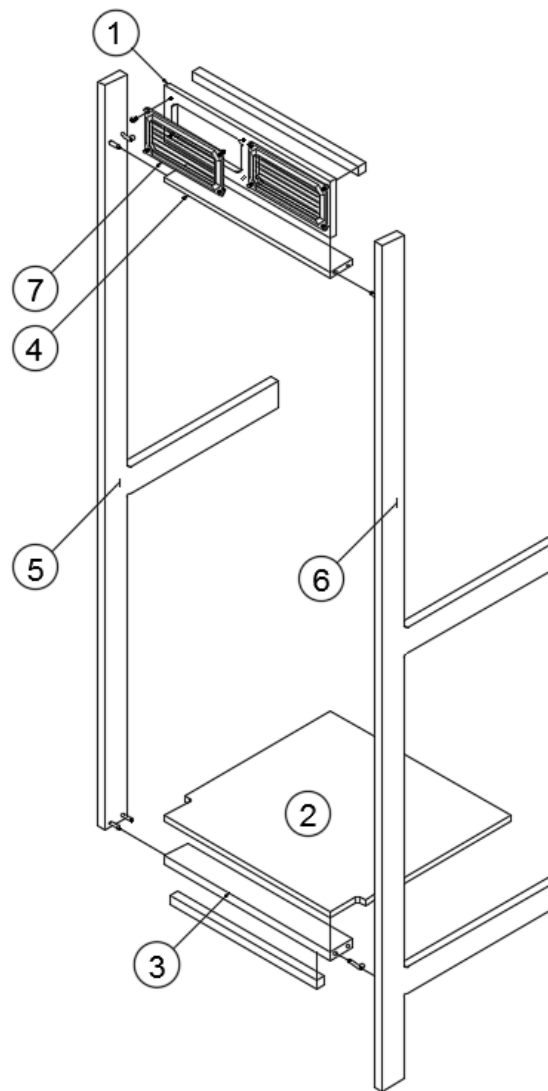
### Galley Cabinet, All Model GT's

36. 968028-10	Drawer Box Assembly, 19.75 X 15"
37. 968028-11	Drawer Box Assembly, 22.88 X 15"
38. 968911	Assembly, Galley Fire Ext Pocket
39. 969685	Assembly, Radius Galley Panel, LP Model Only
40. 969864	Assembly, Radius Galley Panel, E1 Package Option Only
41. 970491	Assembly, Drawer Front and Trash Can Pullout
42. 970491&000118BB	Pre-Laminate, Drawer Front Only, .75 X 18.46 X 20.56"
43. 970491&000218BB	Pre-Laminate, Trash Can Holder Only, .75 X 16.3 X 9.7"
44. 801706-0039	Corner Trim, Macchiato, 90°
382257	Paper Towel Holder, Satin Nickel
383069	Whisper Latch Assembly, Black Chrome
365412-01	Edgebanding, Macchiato, 5/8"
365412-02	Edgebanding, Macchiato, 15/16"
203445-03	T-Trim, Tan, 9/16 Tan
382070	Dots, Non-Skid Rubber, w/Adhesive
381686	Tray, Plastic, White, #FYPSF14, 14"
381708	Wastebasket, Rubbermaid
383035	Hinge, Scissor S.S.
385963	Bracket, Lambrequin Mounting, Angle
382820-02	Drawer Slide, Soft-Close, HD, 12"
382820-03	Drawer Slide, Soft-Close, HD, 15"
382820-06	Clips, HD, Adjustable Undermount Slides
513728	Light, Illustra, 20 x 70 x 20, 3K
512659-01	Channel, Black Tape Light, 6'



## FURNITURE, GALLEY

### Refrigerator Cabinet, GT



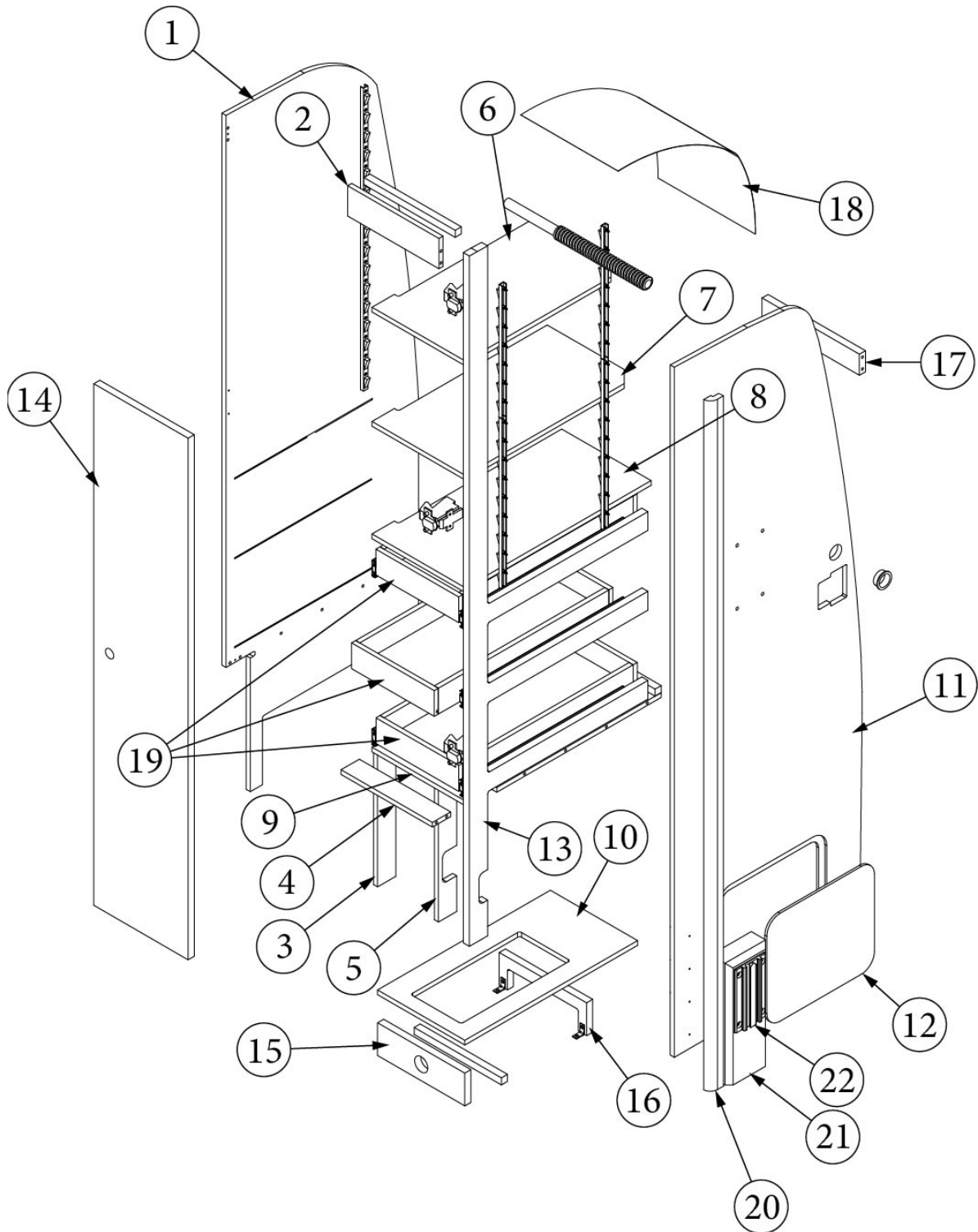
968594-39

Refrigerator Cabinet

- |               |                                |
|---------------|--------------------------------|
| 1. 968594-391 | Panel, 4.94 x 16.75            |
| 2. 968594-392 | Panel, 18.25 x 17.5            |
| 3. 968594-393 | Panel, 2.25 x 16.75            |
| 4. 968594-394 | Panel, 2.25 x 16.75            |
| 5. 968594-395 | Panel, 17.5 x 64.94            |
| 6. 968594-396 | Panel, 17.5 x 73.75            |
| 7. 382297     | Vent, Black plastic            |
| 365412-01     | Edgebanding, Macchiato, 5/8"   |
| 365412-02     | Edgebanding, Macchiato, 15/16" |
| 800422        | Dowel pin                      |

# FURNITURE, GALLEY

## Pantry/Wardrobe, RS, GT



Parts Listed on Next Page

## FURNITURE, GALLEY

### Pantry/Wardrobe, RS, GT

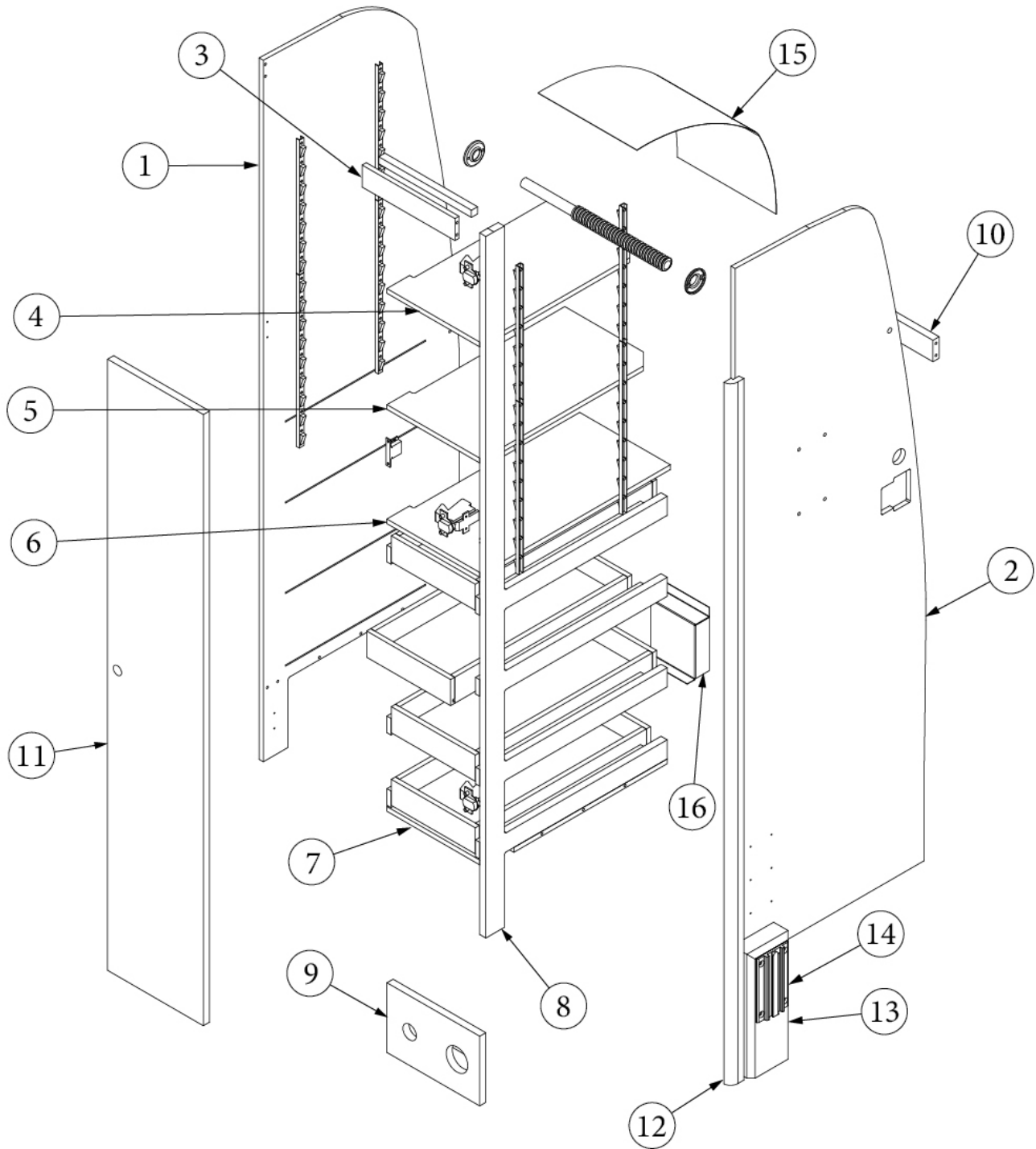
970494

RS Pantry/Wardrobe

1. 970494&000112BB	Pre-Laminate, .5 X 23.74 X 73.65"
2. 970494&000212BB	Pre-Laminate, .5 X 3.23 X 11.25"
3. 970494&000312BB	Pre-Laminate, .5 X 2.25 X 14.75"
4. 970494&000412BB	Pre-Laminate, .5 X 2.25 X 11.25"
5. 970494&000512BB	Pre-Laminate, .5 X 2.25 X 14.25"
6. 970494&000612BB	Pre-Laminate, .5 X 19.43 X 11.51"
7. 970494&000712BB	Pre-Laminate, .5 X 21.08 X 11.51"
8. 970494&000812BB	Pre-Laminate, .5 X 22.88 X 11.51"
9. 970494&000912BB	Pre-Laminate, .5 X 23.64 X 12"
10. 970494&001012BB	Pre-Laminate, .5 X 21.28 X 10.75"
11. 970494&001112BH	Pre-Laminate, .5 X 22.94 X 73.63"
12. 970494&001212BH	Pre-Laminate, .5 X 13.25 X 11.5"
13. 970494&001318BB	Pre-Laminate, .75 X 22 X 73.65"
14. 970494&001418BB	Pre-Laminate, .75 X 11.63 X 55.65"
15. 970494&001518BB	Pre-Laminate, .75 X 10.75 X 3.5"
16. 970494&001618BB	Pre-Laminate, .75 X 10.75 X 3.5"
17. 970494&001718BB	Pre-Laminate, .75 X 2.25 X 12"
18. 968156	Wire cover
19. 964906-22	Drawer box, 2.75 x 21 x 10.19
20. 801706-0039	Corner Trim, Macchiato, 90°
21. 802361-0039	Mount, GT Pedestal Table, Macchiato
22. 382862-02	Mounting Plate, Pedestal Table
383069	Whisper Latch Assembly, Black Chrome
365412-01	Edgebanding, Macchiato, 5/8"
365412-02	Edgebanding, Macchiato, 15/16"
203445-03	T-Trim, Tan, 9/16 Tan
200975-04	Conduit, Flexible Black plastic
380045	Tubing, 3/4"
380046	Flange, Chrome
381209-02	Grommet w/cap, 1.5" hole, Black
381527	Shelf strips
381607-14	Hinge, Self-close, 160° overlay
381607-17	Baseplate, 2MM X 37/32, Screw On
381925-02	Drawer slide, 20"

# FURNITURE, GALLEY

## Pantry/Wardrobe, RS, GT, E1 Package Option



Parts Listed on Next Page

## FURNITURE, GALLEY

### Pantry/Wardrobe, RS, GT, E1 Package Option

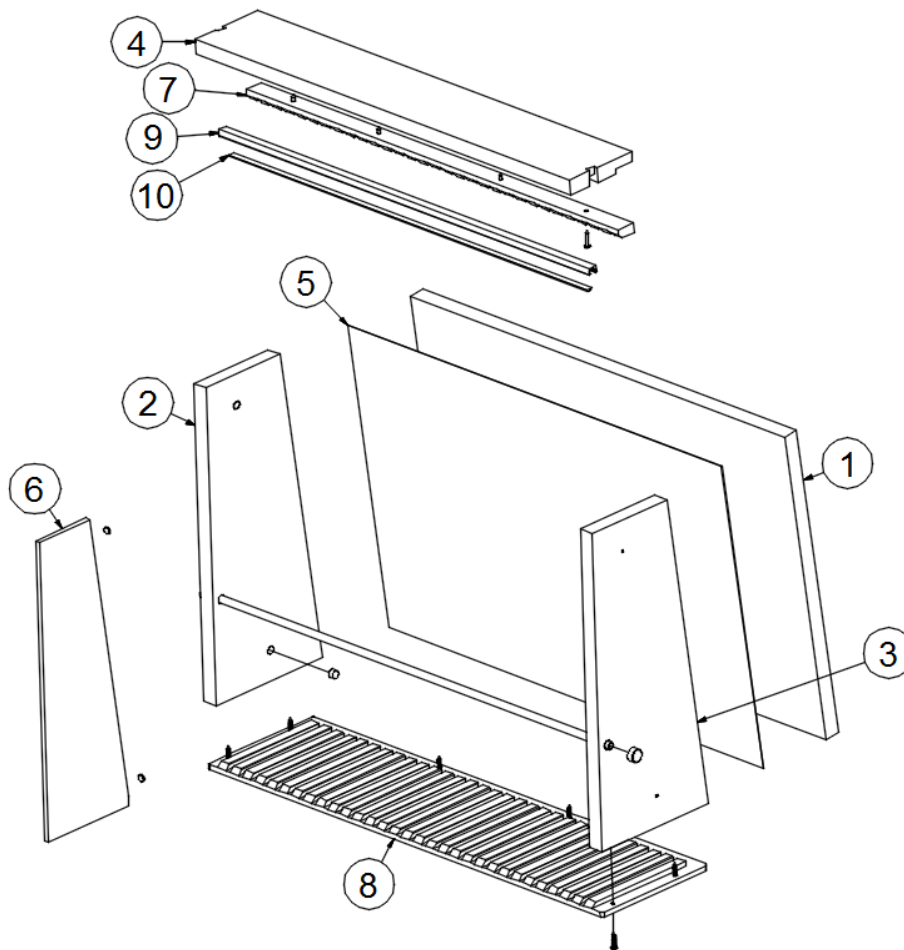
969823-01

Assembly, RS Pantry/Wardrobe

1. 969823&004012BB Pre laminate, .5 x 73.65 x 24.38"
2. 969823&002412BH Pre laminate, .5 x 23.63 x 73.63"
3. 969823&010312BB Pre laminate, 2.31 x 11.25"
4. 969823&010412BB Pre laminate, 19.43 x 11.51"
5. 969823&010512BB Pre laminate, 21.08 x 11.51"
6. 969823&010612BB Pre laminate, 22.88 x 11.51"
7. 969823&010712BB Pre laminate, 24.14 x 12"
8. 969823&010818BB Pre laminate, 22 x 73.65"
9. 969823&010918BB Pre laminate, 11.25 x 7.31"
10. 969823&011318BB Pre laminate, 2.25 x 12"
11. 969823&004118BB Pre laminate, 11.63 x 64.15"
12. 801706-0039 Trim, Corner, 90 Degree, Macchiato
13. 802361-0039 Mount, Pedestal Table, Macchiato
14. 382862-02 Mounting Plate, Pedestal Table
15. 968156 Wire Cover Assembly
16. 116167-01 Aluminum Sheet, .023 x 30 x 144"
- 200975-04 Conduit, Flexible Black plastic
- 964906-22 Drawer box, 2.75 x 21 x 10.19"
- 380045 Tubing, 3/4"
- 380046 Flange, Chrome
- 381228-02 Catch, Grabber door, 5LB
- 381527 Shelf strips
- 381607-14 Hinge, Self-close, 160° overlay
- 381925-02 Drawer slide, 20"
- 381209-02 Grommet w/cap, 1.5" hole, Black
- 382836 Whisper Latch Assembly, Brushed Nickel
- 365412-01 Edgebanding, Macchiato, 5/8"
- 365412-02 Edgebanding, Macchiato, 15/16"

## FURNITURE, GALLEY

### Galley Bar



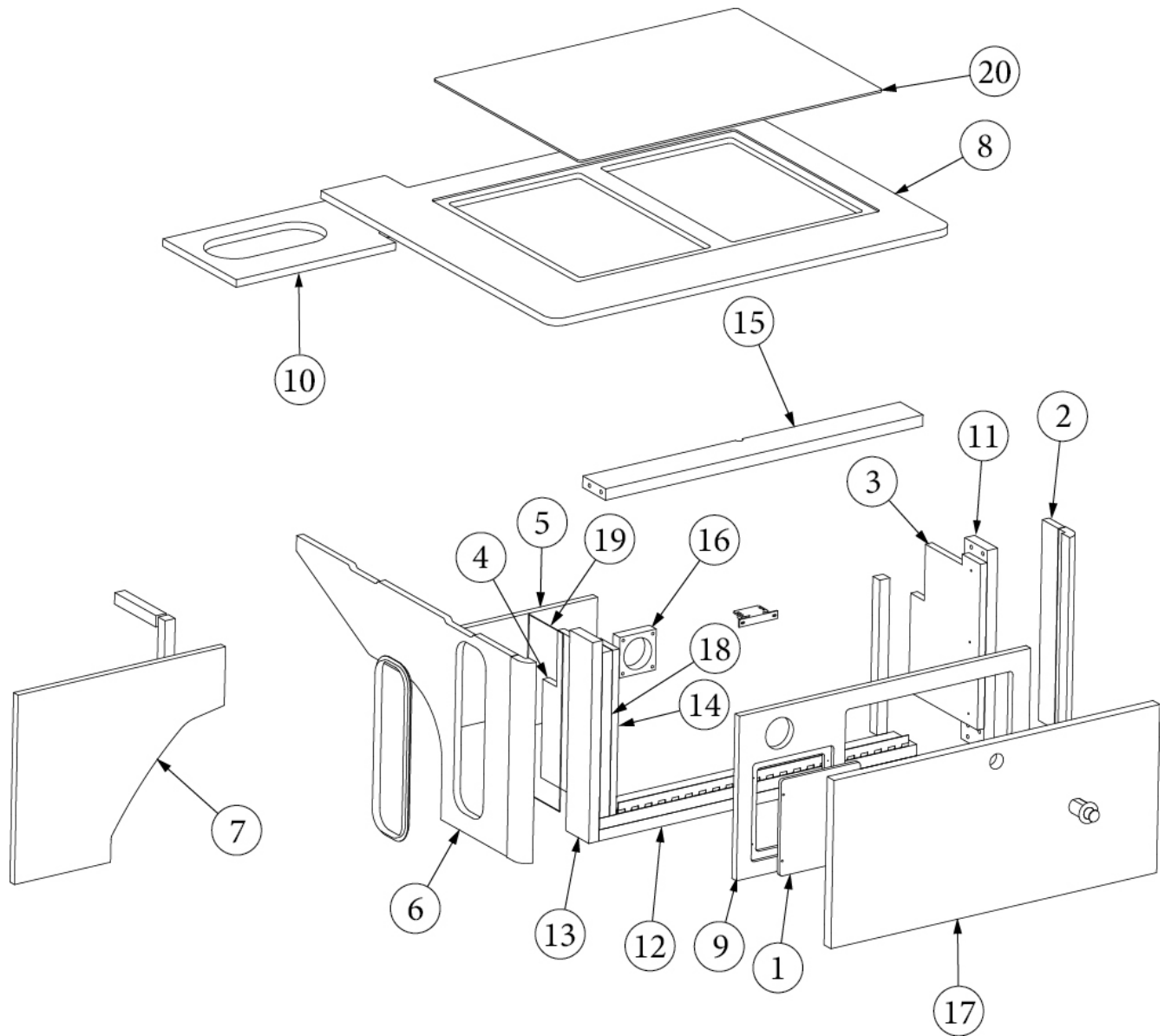
968534

Galley Bar

- |                    |  |
|--------------------|--|
| 1. 968534&000118BB | Panel, 23 x 15.56                      |
| 2. 968534&000218BB | Panel, 6.75 x 15.5                     |
| 3. 968534&000318BB | Panel, 6.75 x 15.5                     |
| 4. 968534&000418BB | Panel, 3.94 x 23                       |
| 5. 115860          | Back plate                             |
| 6. 203936          | Insert, Divider bar                    |
| 7. 203937          | Insert, Top slotted divider holder     |
| 8. 203938          | Insert, Bottom slotted divider holder  |
| 9. 512659-01       | Tape light channel, Black              |
| 10. 512659-02      | LED flex tape w/bullet connectors, 39" |
| 345605             | Rod-3/8 X 24.88 LG 5/16                |
| 345606-01          | Cap, 5/8" with 5/16"-18 threads        |
| 801818-0039        | Wood plug, Tapered, Macchiato          |

# FURNITURE, LOUNGE

## Dinette Seat, RS



Parts Listed on Next Page

## FURNITURE, LOUNGE

### Dinette Seat, RS

969179-01

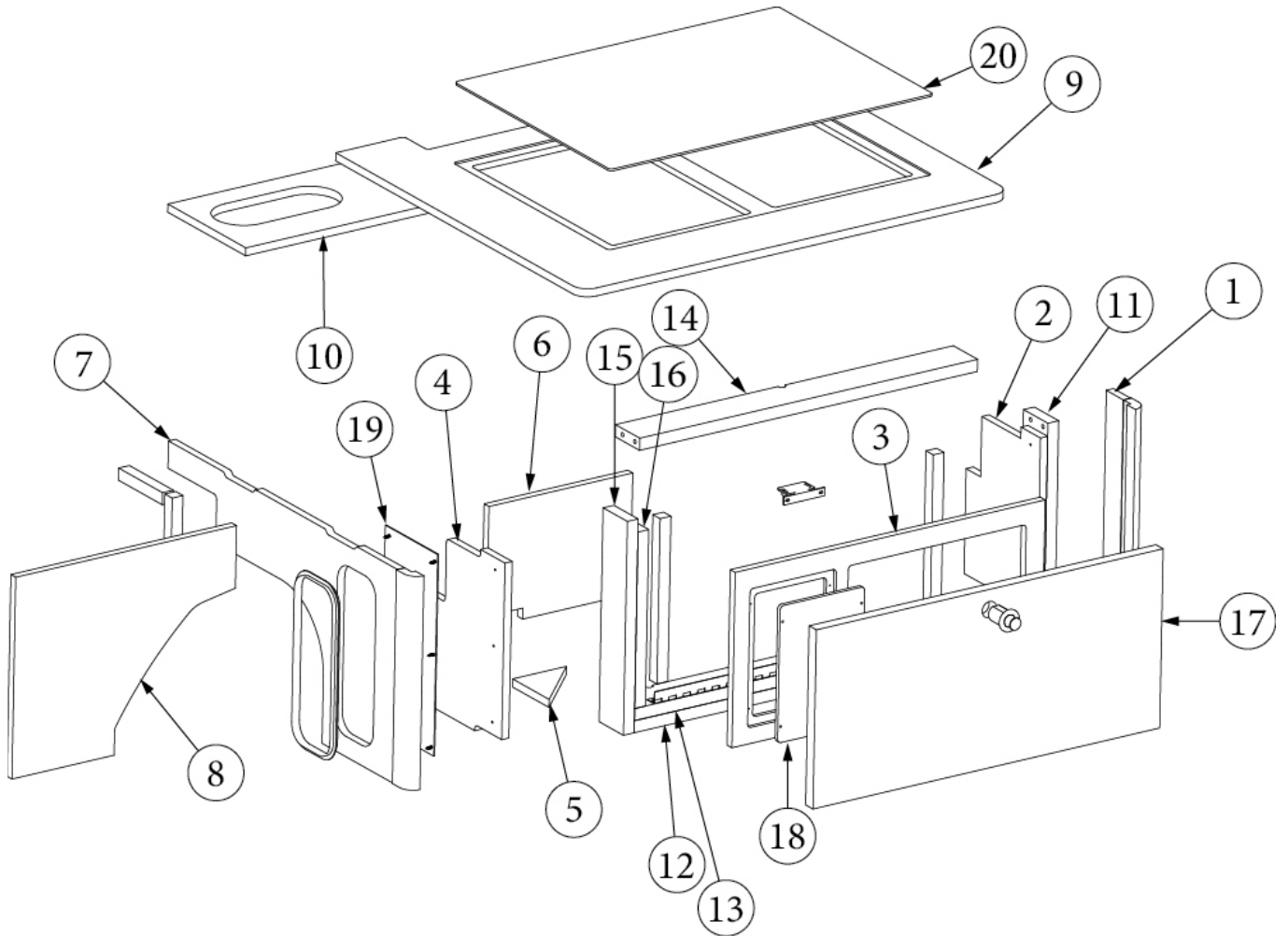
RS Dinette Seat

1. 969179&003006BE	Pre laminate, 5.88 x 6.38"
2. 969179&000112BB	Pre laminate, 1.75 x 13.25"
3. 969179&000212BB	Pre laminate, 7.50 x 10.94"
4. 969179&000312BB	Pre laminate, 7.50 x 10.94"
5. 969179&000412BB	Pre laminate, 10.00 x 6.5"
6. 969179&000612BB	Pre laminate, 23.50 x 13.25"
7. 969179&000712BB	Pre laminate, 15.36 x 12.5"
8. 969179&000812BB	Pre laminate, 25.31 x 41.42"
9. 969179&000912BB	Pre laminate, 21.56 x 10.88"
10. 969179&002812BB	Pre laminate, 8.00 x 15.36"
11. 969179&001018BB	Pre laminate, 2.50 x 13.25"
12. 969179&001118BB	Pre laminate, 2.50 x 23.5"
13. 969179&001218BB	Pre laminate, 2.50 x 13.25"
14. 969179&001318BB	Pre laminate, 2.50 x 23.5"
15. 969179&001418BB	Pre laminate, 2.50 x 23.5"
16. 969179&001518BB	Pre laminate, 2.69 x 2.69"
17. 969179&003118BB	Pre laminate, 24.13 x 11.1"
18. 969179&001718BB	Pre laminate, 2.50 x 10.94"
19. 116464	Vent, Aluminum, 12.50 X 5.38
20. 204147	Mesh, Stretchable, Plastic
382125	Hinge-Piano Clear 1.25" x 72"
381228-02	Catch Grabber Door C3-805 5#
801706-0039	Corner Trim - 90 DEG. X 13.25, Macchiato
382059-02	Knob, Push/Pull, Black Nickel
365412-01	Edgebanding, Macchiato, 5/8"
365412-02	Edgebanding, Macchiato, 15/16"
203445-03	T-Trim, Tan, 9/16"



# FURNITURE, LOUNGE

## Dinette Seat, RS, E1 Package Option



Parts Listed on Next Page

## FURNITURE, LOUNGE

### Dinette Seat, RS, E1 Package Option

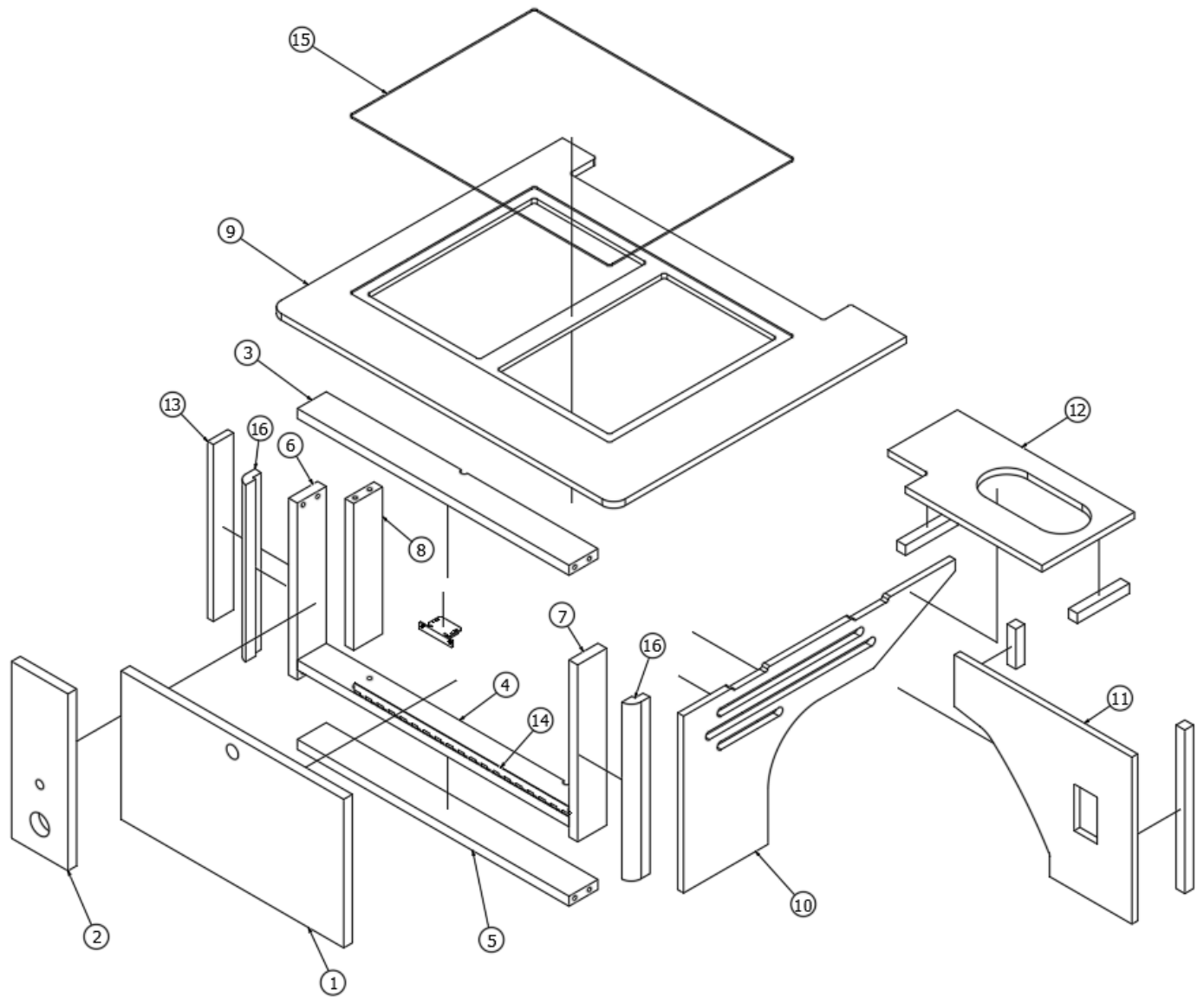
969913-01

RS Dinette Seat

- |                     |  |
|---------------------|--|
| 1. 969913&000112BB  | Pre laminate, .5 x 1.75 x 13.25"         |
| 2. 969913&000212BB  | Pre laminate, .5 x 7.5 x 10.94"          |
| 3. 969913&000312BB  | Pre laminate, .5 x 21.56 x 10.88"        |
| 4. 969913&000412BB  | Pre laminate, .5 x 7.50 x 10.94"         |
| 5. 969913&000512BB  | Pre laminate, .5 x 3.75 x 3.75"          |
| 6. 969913&000612BB  | Pre laminate, .5 x 10 x 6.5"             |
| 7. 969913&000712BB  | Pre laminate, .5 x 23.5 x 13.25"         |
| 8. 969913&000812BB  | Pre laminate, .5 x 15.36 x 12.5"         |
| 9. 969913&000912BB  | Pre laminate, .5 x 25.31 x 41.42"        |
| 10. 969913&001012BB | Pre laminate, .5 x 8 x 15.36"            |
| 11. 969913&001118BB | Pre laminate, .75 x 2.5 x 13.25"         |
| 12. 969913&001218BB | Pre laminate, .75 x 2.5 x 23.5"          |
| 13. 969913&001318BB | Pre laminate, .75 x 2.5 x 23.5"          |
| 14. 969913&001418BB | Pre laminate, .5 x 2.50 x 23.5"          |
| 15. 969913&001518BB | Pre laminate, .75 x 2.5 x 13.25"         |
| 16. 969913&001618BB | Pre laminate, .75 x 2.5 x 10.94"         |
| 17. 969913&001818BB | Pre laminate, .75 x 24.13 x 11.1"        |
| 18. 969913&001906BE | 5.88" x 8.5"                             |
| 19. 116464          | Vent, Aluminum, 12.50 X 5.38             |
| 20. 204147          | Mesh, Stretchable, Plastic               |
| 203610              | Cup holder                               |
| 382125              | Hinge-Piano Clear 1.25" x 72"            |
| 381228-02           | Catch Grabber Door C3-805 5#             |
| 801706-0039         | Corner Trim - 90 DEG. X 13.25, Macchiato |
| 382059-02           | Knob, Push/Pull, Black Nickel            |
| 365412-01           | Edgebanding, Macchiato, 5/8"             |
| 365412-02           | Edgebanding, Macchiato, 15/16"           |
| 203445-03           | T-Trim, Tan, 9/16"                       |

# FURNITURE, LOUNGE

## Dinette Seat, CS



Parts Listed on Next Page

## FURNITURE, LOUNGE

### Dinette Seat, CS

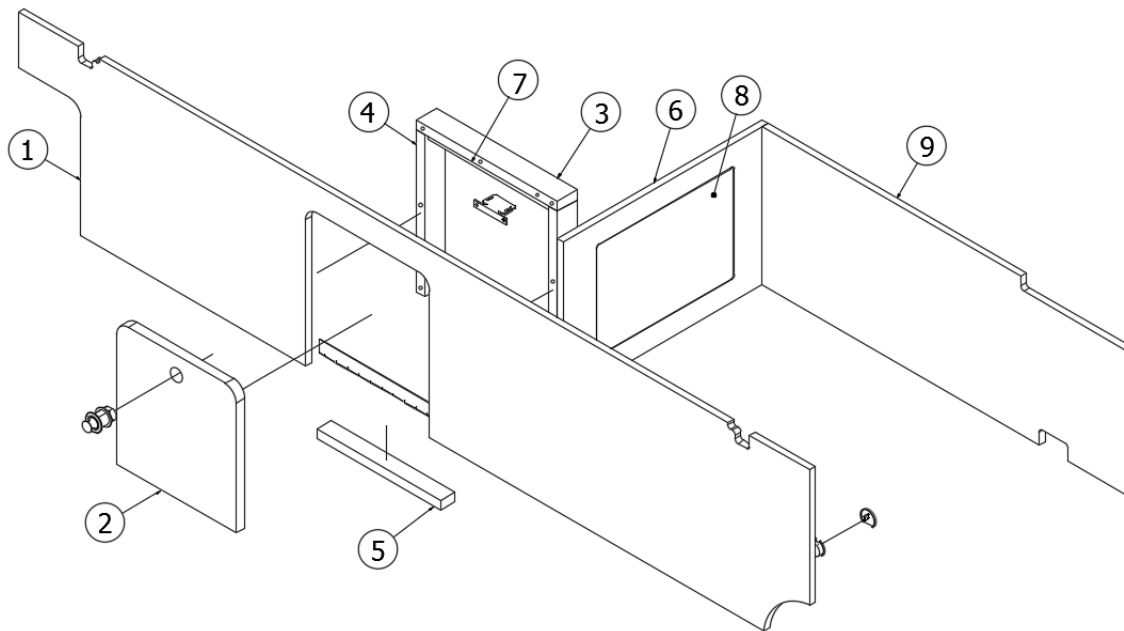
969012-01

CS Dinette Seat

- |                     |  |
|---------------------|--|
| 1. 969012&002318BB  | Panel, 19.25 X 11.63                     |
| 2. 969012&000218BB  | Panel, 4.88 X 13.25                      |
| 3. 969012&000318BB  | Panel, 2.50 X 23.50                      |
| 4. 969012&000418BB  | Panel, 2.50 X 23.50                      |
| 5. 969012&000518BB  | Panel, 2.50 X 23.50                      |
| 6. 969012&000618BB  | Panel, 2.50 X 13.25                      |
| 7. 969012&000718BB  | Panel, 2.50 X 13.25                      |
| 8. 969012&000818BB  | Panel, 2.50 X 11.00                      |
| 9. 969012&000912BB  | Panel, 25.31 X 41.42                     |
| 10. 969012&001012BB | Panel, 23.50 X 13.25                     |
| 11. 969012&001112BB | Panel, 15.36 X 12.50                     |
| 12. 969012&001212BB | Panel, 8.00 X 15.31                      |
| 13. 969012&001312BB | Panel, 1.75 X 13.25                      |
| 14. 382125          | Hinge-Piano Clear 1.25" X 72"            |
| 15. 204147          | Mesh, Stretchable Plastic                |
| 16. 801706-0039     | Corner Trim - 90 DEG. X 13.25, Macchiato |
| 381228-02           | Catch Grabber Door C3-805 5#             |
| 365412-01           | Edgebanding, Macchiato, 5/8"             |
| 365412-02           | Edgebanding, Macchiato, 15/16"           |

# FURNITURE, LOUNGE

## Sofa Base/Closeout, GL



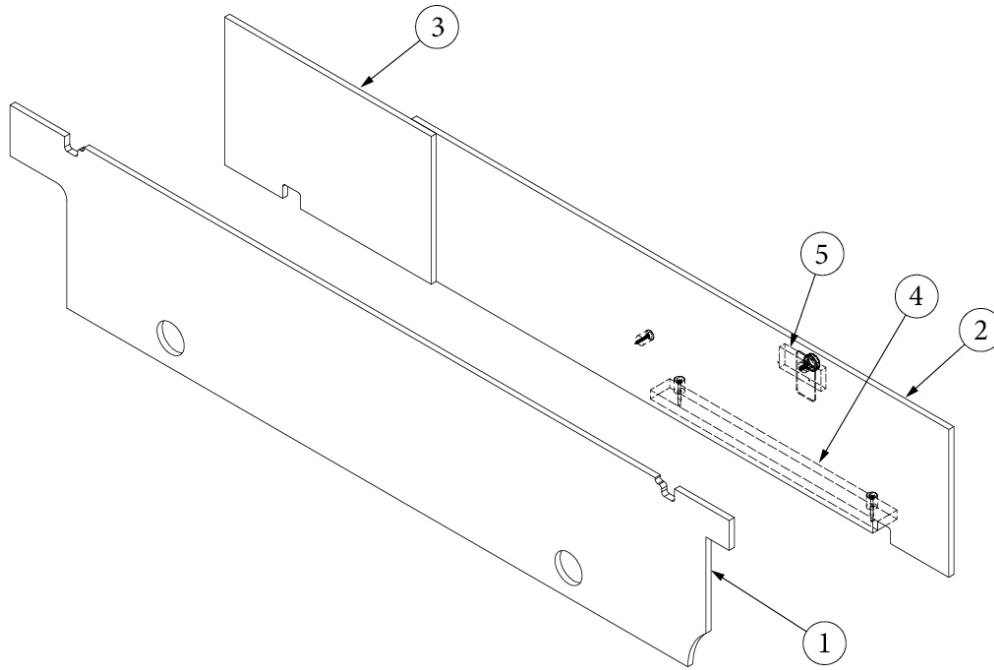
112567  
968613  
969311

Install, Sofa, GL (not for order/see parts below)  
Assembly, Rear Sofa Seat Base  
Assembly, Closeout, Sofa

1. 968613&000112BB	Pre laminate, 14.25 x 69.58
2. 968613&000218BB	Pre laminate, 10.5 x 10.88
3. 968613&000318BB	Pre laminate, 1.75 x 12.38
4. 968613&000418BB	Pre laminate, 1.75 x 12.31
5. 968613&000518BB	Pre laminate, 1.25 x 10.88
6. 968613&000712BB	Pre laminate, 12 x 18
7. 968613&000812BB	Pre laminate, 1.5 x 10.88
8. 968613&000912BB	Pre laminate, 13.5 x 9.88
9. 968613&001012BB	Pre laminate, 12 x 32
703966	Cargo Cover
381228	Catch, Grabber door, 10LB
382125	Piano hinge, Anodized
382059-02	Knob-Push/Pull Blk Nickel
382057	Knockdown
382057-03	Cap-Knockdown Dk Brn #16291
969311&000112BB	Pre laminate, Closeout, 8 X 8"
969311&000212BB	Pre laminate, Closeout, 20 X 8"
382095	Knob, Knurled, 1/4-20 x .50"
454721	Bracket, Pedestal Table Storage
382294	Bumper, Rubber, Black, .75"
365412-01	Edgebanding, Macchiato, 5/8"
365412-02	Edgebanding, Macchiato, 15/16"

## FURNITURE, LOUNGE

### Sofa Base/Closeout, GL, E1 Package Option



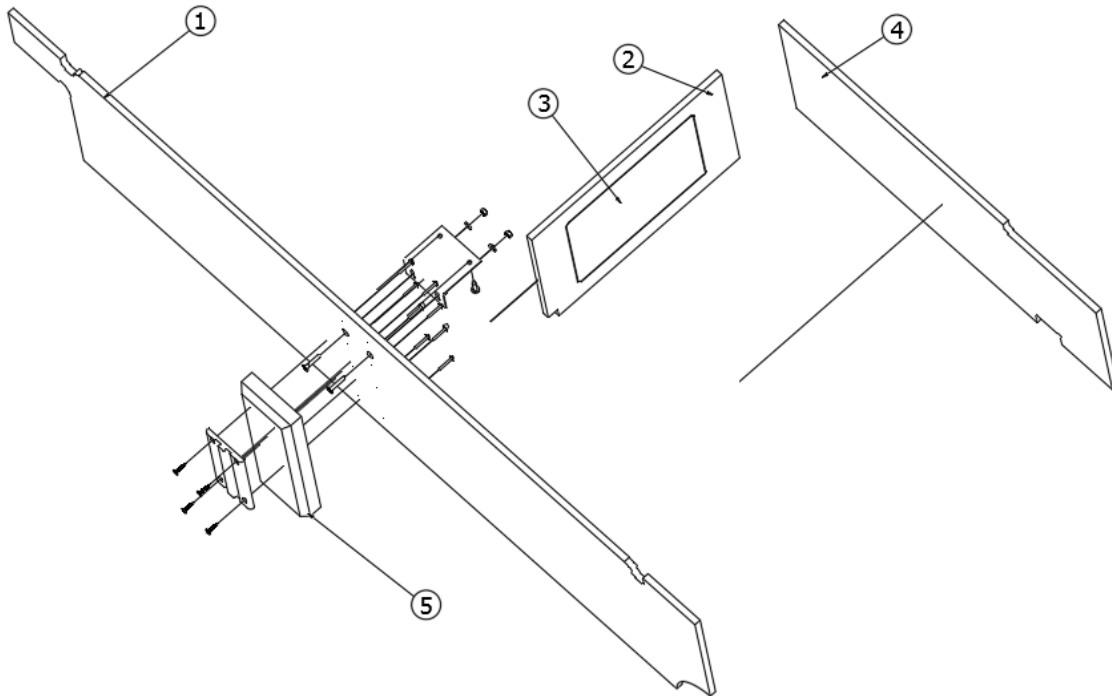
113988  
969914

Sofa, GT, E1 Package (not for order/see parts below)  
Assembly, Closeout, Sofa

- |                    |                                   |
|--------------------|-----------------------------------|
| 1. 969914&000112BB | Pre laminate, .5 x 14.25 x 69.58" |
| 2. 969914&000212BB | Pre laminate, .5 x 12.38 x 52"    |
| 3. 969914&000412BB | Pre laminate, .5 x 12.38 x 16.5"  |
| 4. 969914&000718BB | Pre laminate, .75 x 1.88 x 23.5"  |
| 5. 969914&000812BB | Pre laminate, .5 x 1.75 x 4"      |
| 703966             | Cargo Cover                       |
| 382095             | Knob, Knurled, 1/4-20 x .50"      |
| 454721             | Bracket, Pedestal Table Storage   |
| 382294             | Bumper, Rubber, Black, .75"       |
| 365412-01          | Edgebanding, Macchiato, 5/8"      |
| 365412-02          | Edgebanding, Macchiato, 15/16"    |

## FURNITURE, LOUNGE

### Sofa Base/Closeout, GT



113114  
969248  
969311  
969928

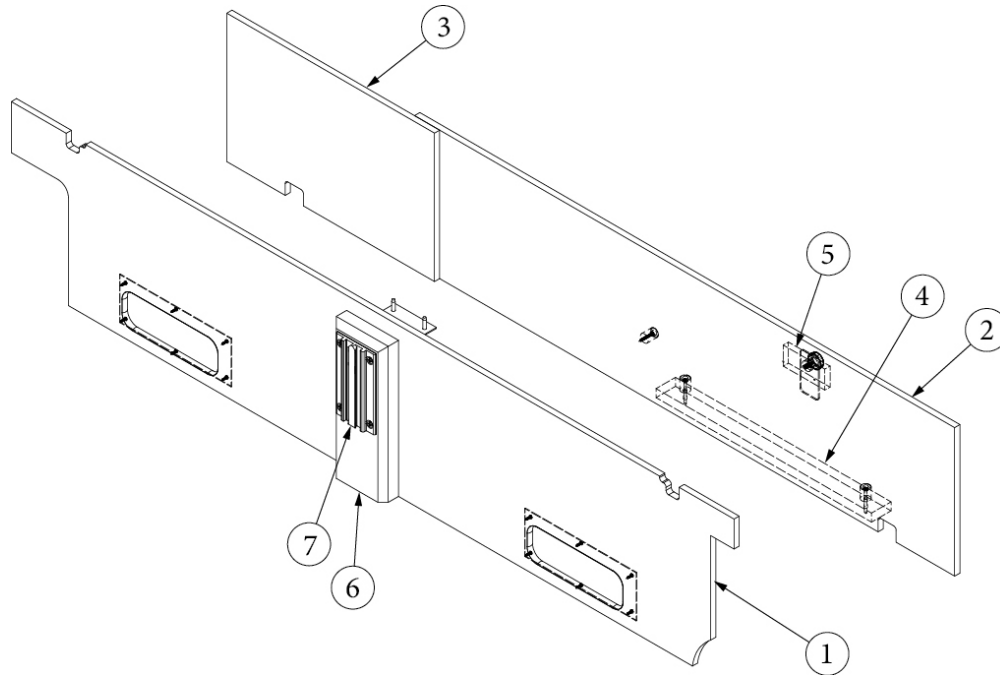
Install, Sofa, GT (not for order/see parts below)  
Assembly, Rear Sofa Base, GT  
Assembly, Closeout, Sofa  
Assembly, Mount, Pedestal Table

1. 969248&000112BB  
2. 969248&000412BB  
3. 969248&000512BB  
4. 969248&000612BB  
5. 382862-02  
802454-0039  
703966  
385963  
969311&000112BB  
969311&000212BB  
382095  
454721  
382294  
116021  
365412-01  
365412-02

Pre laminate, 14.25 X 69.58"  
Pre laminate, 12 X 18"  
Pre laminate, 13.5 X 9.88"  
Pre laminate, 12 X 32"  
Mounting Plate, Pedestal Table  
Mount, GT Pedestal Table, Macchiato  
Cargo Cover  
Bracket, Mounting, Angle, Lambrequin  
Pre laminate, Closeout, 8 X 8"  
Pre laminate, Closeout, 20 X 8"  
Knob, Knurled, 1/4-20 x .50"  
Bracket, Pedestal Table Storage  
Bumper, Rubber, Black, .75"  
Bracket, Closeout support  
Edgebanding, Macchiato, 5/8"  
Edgebanding, Macchiato, 15/16"

## FURNITURE, LOUNGE

### Sofa Base/Closeout, GT, E1 Package Option



113865-01  
969790  
969928

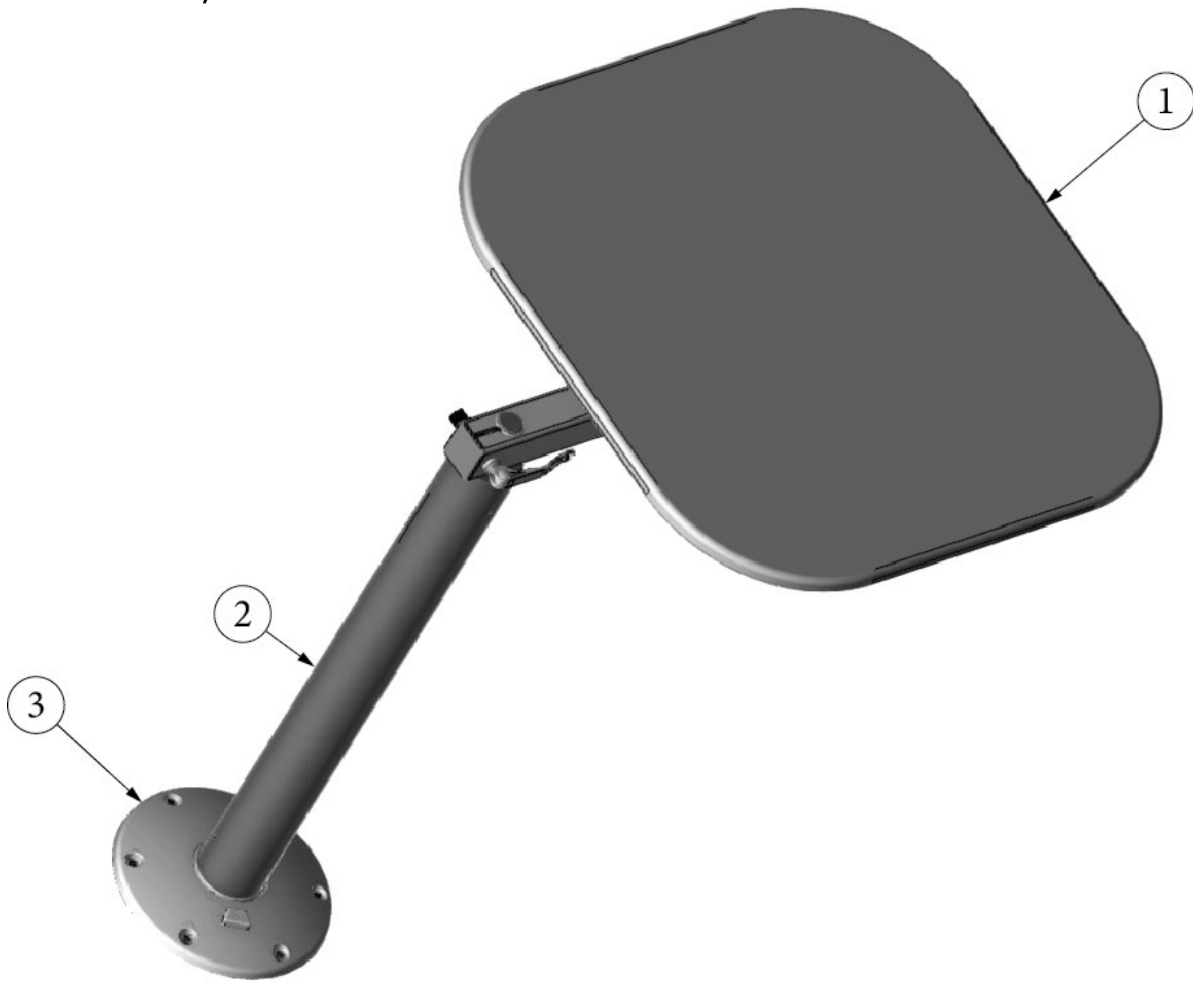
Sofa, GT, E1 Package (not for order/see parts below)  
Assembly, Closeout, Sofa  
Assembly, Mount, Pedestal Table

- |                    |                                     |
|--------------------|-------------------------------------|
| 1. 969790&000112BB | Pre laminate, .5 x 14.25 x 69.58"   |
| 2. 969790&000212BB | Pre laminate, .5 x 12.38 x 52"      |
| 3. 969790&000612BB | Pre laminate, .5 x 12.38 x 20"      |
| 4. 969790&001018BB | Pre laminate, .75 x 1.88 x 24"      |
| 5. 969790&001112BB | Pre laminate, .5 x 1.75 x 4"        |
| 6. 802454-0039     | Mount, GT Pedestal Table, Macchiato |
| 7. 382862-02       | Mounting Plate, Pedestal Table      |
| 703966             | Cargo Cover                         |
| 382095             | Knob, Knurled, 1/4-20 x .50"        |
| 454721             | Bracket, Pedestal Table Storage     |
| 203445-03          | T-Trim, Tan, Flexible Poly, 9/16"   |
| 115855             | Alum, Perforated, .063 x 48 x 120"  |
| 382294             | Bumper, Rubber, Black, .75"         |
| 116021             | Bracket, Closeout support           |
| 365412-01          | Edgebanding, Macchiato, 5/8"        |
| 365412-02          | Edgebanding, Macchiato, 15/16"      |



## FURNITURE, LOUNGE

### Pedestal Table, GL



969924

Assembly, Pedestal Table

- 1. 602789 Pedestal Table-Solid Surface Snowfall
- 2. 382863-01 MOD table assembly, 29.25"
- 382863-02 MOD table assembly, 18.7"
- 3. 382863-03 Floor Base, Silver
- 345326-03 Screw, Tapping, #10 X .63" Ss Ph
- 345298-02 Screw, Wood, #14x1" Pan Ph

## FURNITURE, LOUNGE

### Pedestal Table, GT



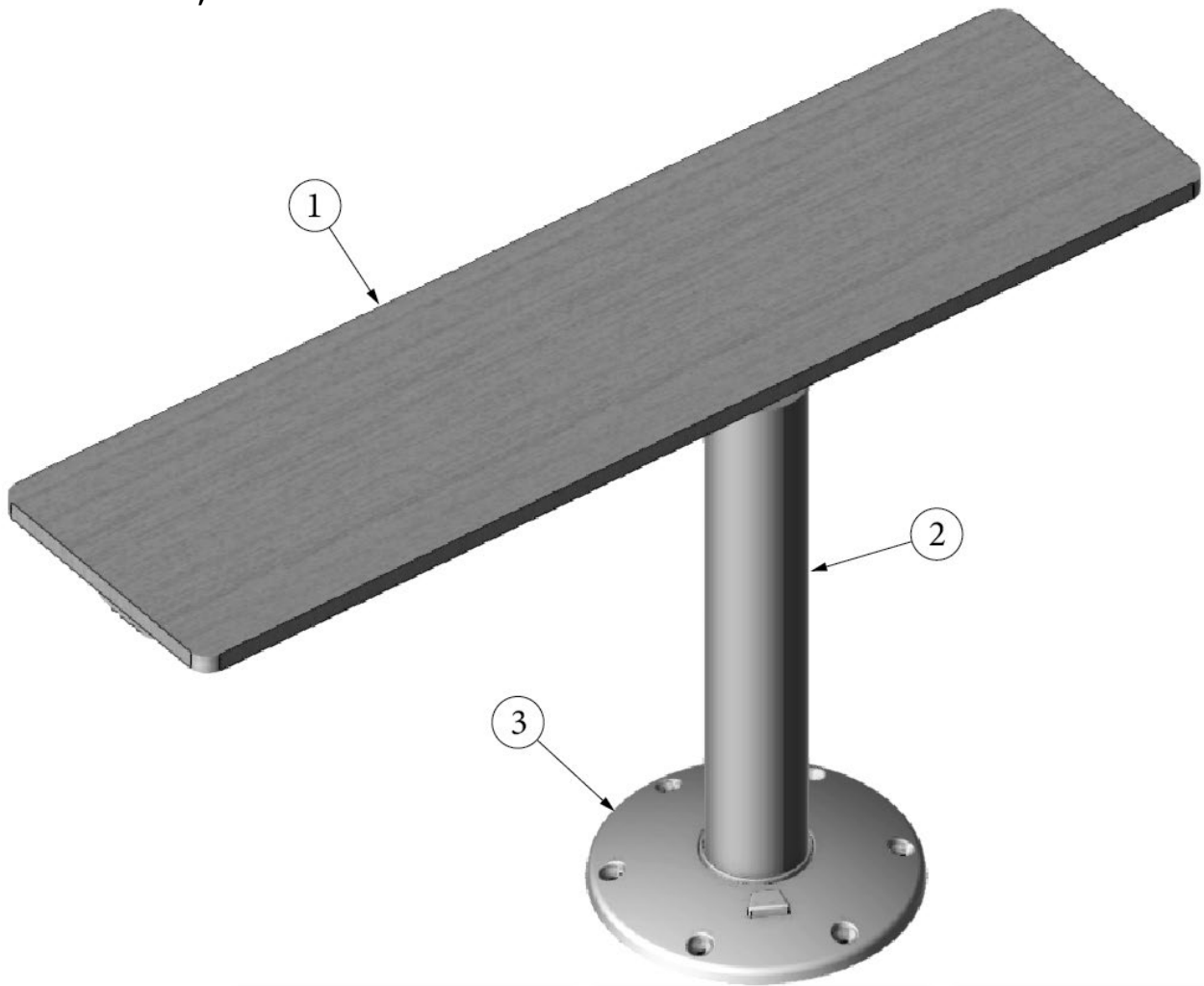
969922

Assembly, Pedestal Table

- |              |  |
|--------------|--|
| 1. 382862-01 | MOD Table Leg System, Silver                 |
| 382862-03    | MOD Table Leg, 13.75"                        |
| 2. 602826    | Pedestal Table, Snowfall, 17 x 22"           |
| 382862-02    | Mounting Plate, Pedestal Table               |
| 345326-03    | Screw, Tapping, SS, Phillips, #10 x .63"     |
| 320209       | Wood screw, Flat, Phillips, SS, #14 x 1-1/2" |

FURNITURE, LOUNGE

Pedestal Table, Rear



135005  
969923

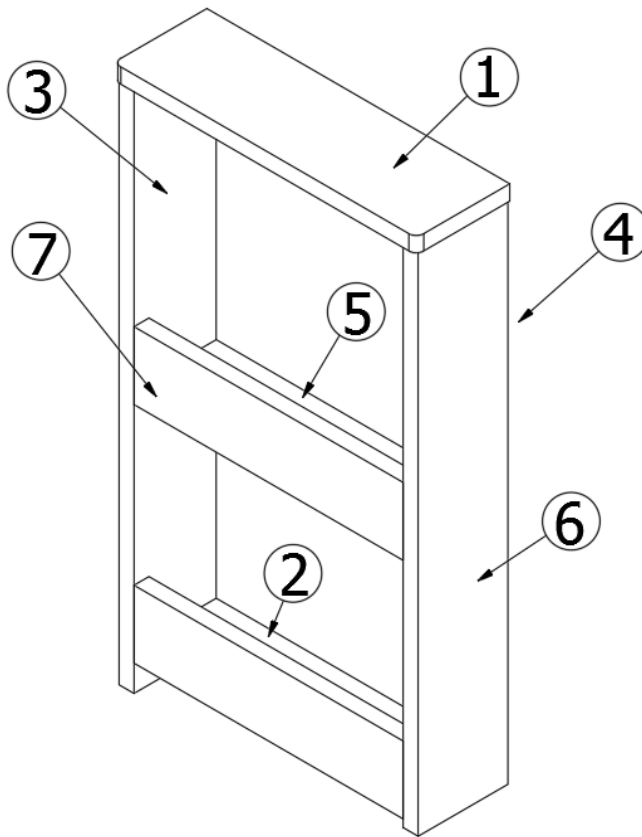
Install, Rear Table (not for order/see parts below)  
Assembly, Pedestal Table, Rear

- 1. 969923&000112BB
- 2. 382863-02
- 3. 382863-03  
320035

Pre laminate, .5 x 8 x 30"  
MOD table assembly, 18.7"  
Floor Base, Silver  
Screw, Phillips, 8 x 1/2"

## FURNITURE, LOUNGE

### Magazine Rack, Lower CS



969237

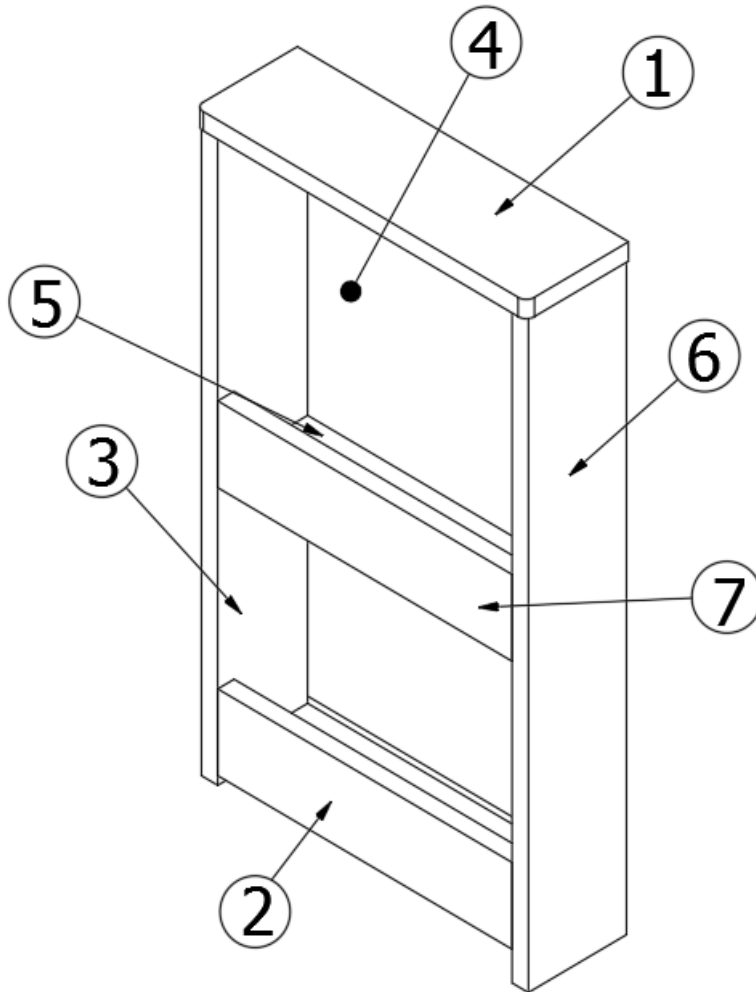
Magazine Rack-CS-Rear Lower

- 1. 969237&000112BB
- 2. 969237&000212BB
- 3. 969237&000312BB
- 4. 969237&000406BE
- 5. 969237&000512BB
- 6. 969237&000612BB
- 7. 969237&000712BB

- Panel, 2.125 X 9.125 X .50
- Panel, .50" X 3.00" X 9.00"
- Panel, .50" X 3.00" X 17.00"
- Panel, .25" X 9.50" X 16.188
- Panel, .50" X 2.25" X 9.00
- Panel, .50" X 3.00" X 16.375"
- Panel, .50" X 3.00" X 9.00"

FURNITURE, LOUNGE

Magazine Rack, Lower RS



969238

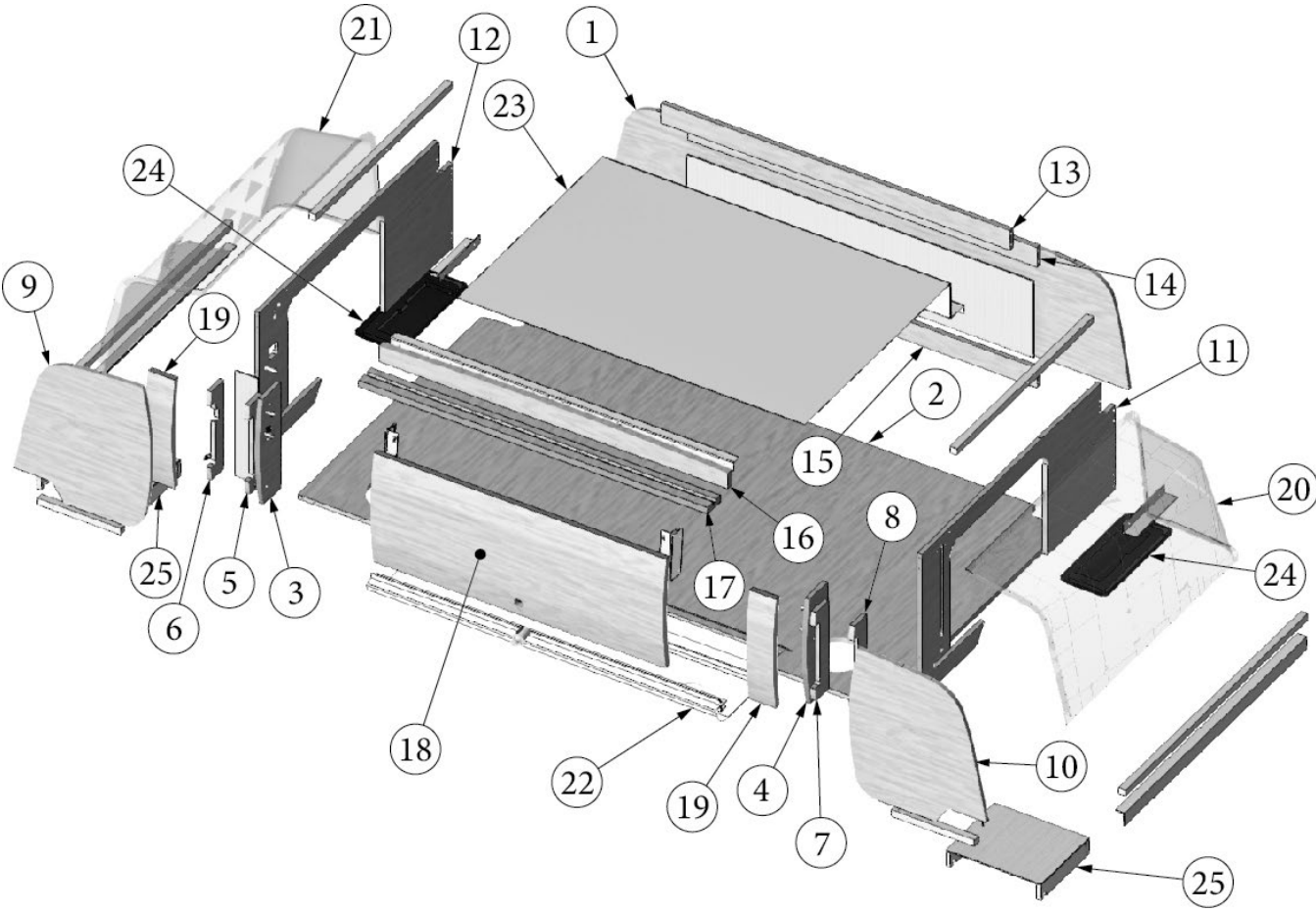
Magazine Rack-RS-Rear Lower

- 1. 969238&000112BB
- 2. 969238&000212BB
- 3. 969238&000312BB
- 4. 969238&000406BE
- 5. 969238&000512BB
- 6. 969238&000612BB
- 7. 969238&000712BB

- Panel, .50" X 3.125" X 9.125"
- Panel, .50" X 2.25" X 9.00"
- Panel, .50" X 3.00" X 16.375"
- Panel, .25" X 9.00" X 16.188
- Panel, .50" X 2.25" X 9.00
- Panel, .50" X 3.00" X 17.00"
- Panel, .50" X 3.00" X 9.00"

FURNITURE, LOUNGE

Roof Locker, Rear



Parts Listed on Next Page

## FURNITURE, LOUNGE

### Roof Locker, Rear

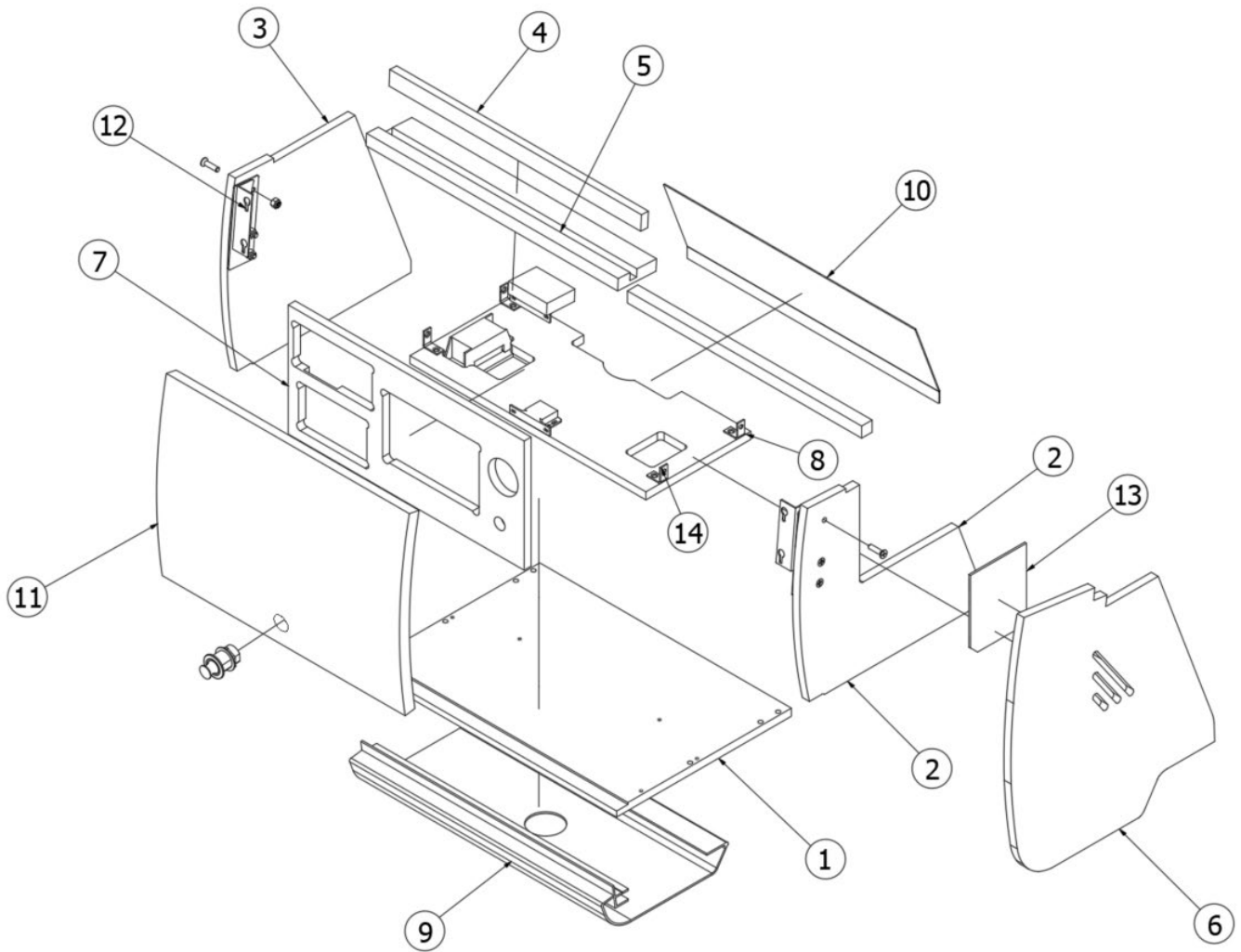
969969

Rear Roof Locker

- |  |   |
|--|---|
| <ol style="list-style-type: none"> <li>1. 969969&amp;000112BB</li> <li>2. 969969&amp;000212BB</li> <li>3. 969969&amp;000312BB</li> <li>4. 969969&amp;000412BB</li> <li>5. 969969&amp;000512BB</li> <li>6. 969969&amp;000612BB</li> <li>7. 969969&amp;000712BB</li> <li>8. 969969&amp;000812BB</li> <li>9. 969969&amp;000912BB</li> <li>10. 969969&amp;001012BB</li> <li>11. 969969&amp;001112BB</li> <li>12. 969969&amp;001212BB</li> <li>13. 969969&amp;001312BB</li> <li>14. 969969&amp;001412BB</li> <li>15. 969969&amp;001512BB</li> <li>16. 969969&amp;001618BB</li> <li>17. 969969&amp;001718BB</li> <li>18. 802863-1139</li> <li>19. 802863-1339</li> <li>20. 203728-01</li> <li>21. 203728-02</li> <li>22. 116393-04</li> <li>23. 115552</li> <li>24. 203787</li> <li>25. 969970</li> <li style="padding-left: 20px;">382059-02</li> <li style="padding-left: 20px;">701538-01</li> <li style="padding-left: 20px;">365412-01</li> <li style="padding-left: 20px;">365412-02</li> <li style="padding-left: 20px;">203445-03</li> <li style="padding-left: 20px;">382227</li> <li style="padding-left: 20px;">381754</li> <li style="padding-left: 20px;">204147</li> </ol> | <p>Pre laminate, 12.56 X 56.02"</p> <p>Pre laminate, 34.01 X 62.63"</p> <p>Pre laminate, 3.7 X 12.12"</p> <p>Pre laminate, 3.7 X 12.12"</p> <p>Pre laminate, 2.41 X 10.07"</p> <p>Pre laminate, 2.41 X 10.07"</p> <p>Pre laminate, 2.41 X 10.07"</p> <p>Pre laminate, 2.41 X 10.07"</p> <p>Pre laminate, 14.75 X 16.47"</p> <p>Pre laminate, 14.75 X 16.47"</p> <p>Pre laminate, 34.01 X 16.46"</p> <p>Pre laminate, 34.01 X 16.46"</p> <p>Pre laminate, 2.25 X 37.63"</p> <p>Pre laminate, 2.25 X 37.63"</p> <p>Pre laminate, 2.25 X 37.63"</p> <p>Pre laminate, 2.21 X 37.63"</p> <p>Pre laminate, 2.25 X 37.63"</p> <p>Door, Macchiato, 12.38 x 31.5"</p> <p>Filler, Macchiato, 12.38 X 2.88"</p> <p>Closeout, RH</p> <p>Closeout, LH</p> <p>Aluminum Extrusion</p> <p>Closeout, Aluminum</p> <p>Collapsing Clothes Hanger</p> <p>Assembly, Speaker Cover</p> <p>Knob, Push/Pull, Black Nickel</p> <p>Carpet, Econolier w/PSA back</p> <p>Edgebanding, Macchiato, 5/8"</p> <p>Edgebanding, Macchiato, 15/16"</p> <p>T-Molding, Tan, Flexible Poly .56"</p> <p>Hinge, Overhead spring, Nickel</p> <p>Mirror Clip</p> <p>Mesh, Stretchable Plastic</p> |
|--|---|

# FURNITURE, LOUNGE

## Roof Locker, RS Forward, GT



Parts Listed on Next Page



## FURNITURE, LOUNGE

### Roof Locker, RS Forward, GT

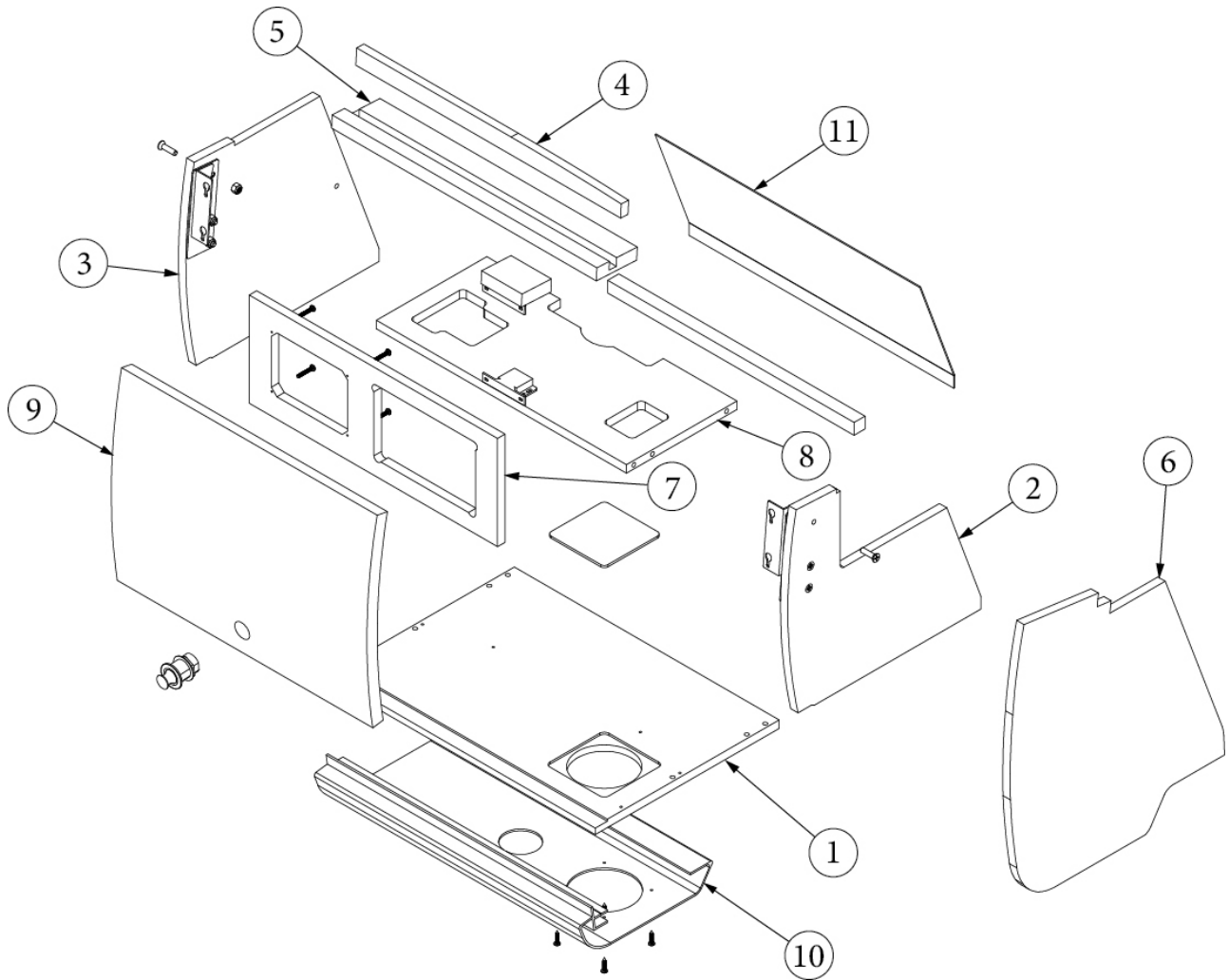
969559-01

RS Forward Roof Locker

1. 969559&000112BB Panel, 12.50X 18.00
2. 969559&000212BB Panel, 13.13 X 12.12
3. 969559&000312BB Panel, 13.13 X 12.12
4. 969559&000412BB Panel, 1.00 X 18.00
5. 969559&000518BB Panel, 2.75 X 18.00
6. 969559&001012BB Panel, 14.58 X 16.50
7. 969559&001212BB Panel, 16.88 X 8.00
8. 969559&001312BB Panel, 7.5 X 16.875
9. 116393-15 Aluminum Extrusion
10. 455652 Back-Alum Rooflocker Cabinet GT
11. 802863-1239 Door, Macchiato, 12.38 X 17.38"
12. 382227 Hinge-O/H Spring Nickel Van
13. 204147 Mesh, Stretchable Plastic
14. 380041 Brace 1" Stanley Corner
15. 381228 Catch Grabber Door C3-810
- 365412-01 Edgebanding, Macchiato, 5/8"
- 365412-02 Edgebanding, Macchiato, 15/16"
- 701538-01 Carpet-Econolier W/PSA Back
- 382059-02 Knob-Push/Pull Blk Nickel

# FURNITURE, LOUNGE

## Roof Locker, RS Forward, GT, E1 Package Option



Parts Listed on Next Page

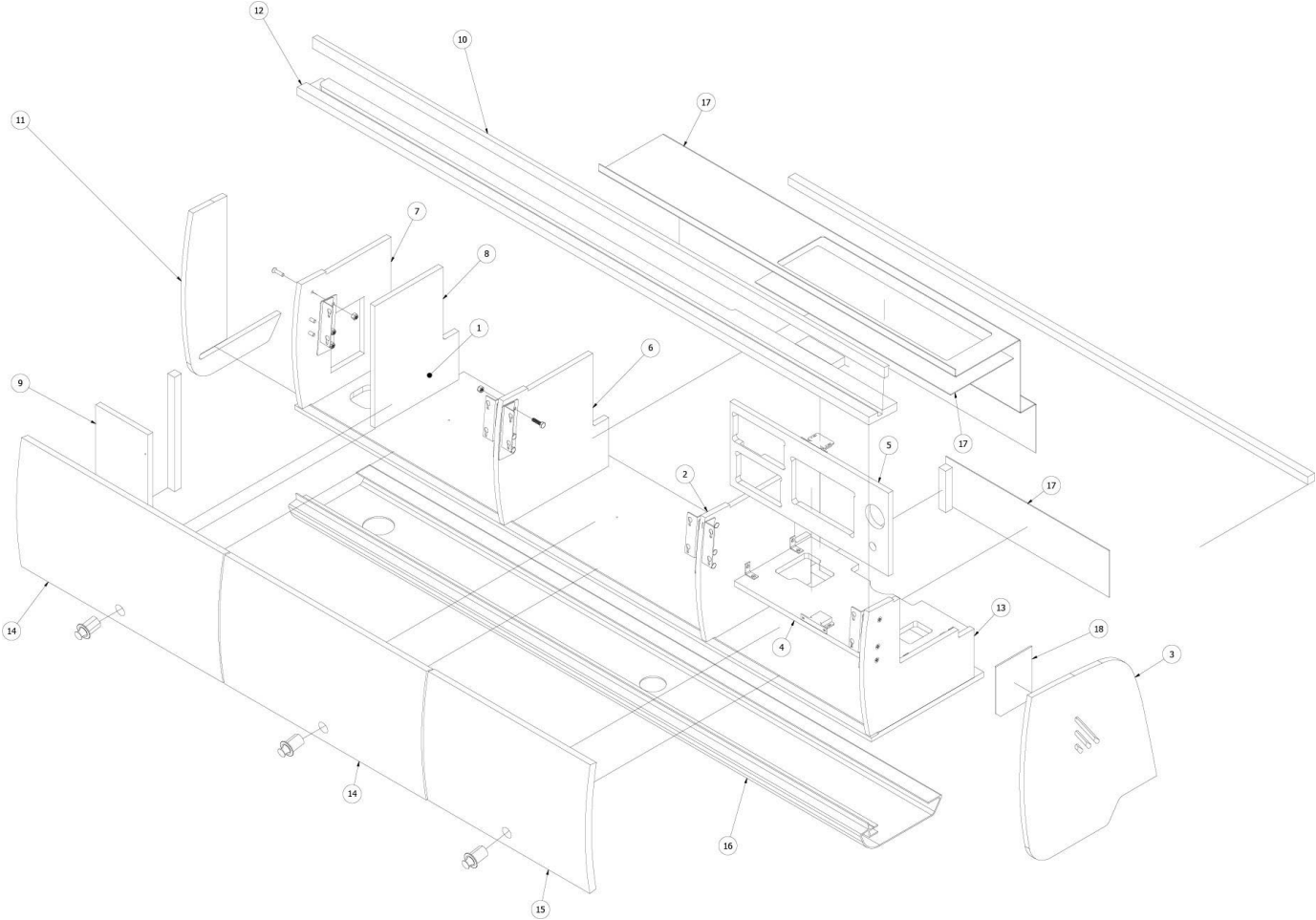
## FURNITURE, LOUNGE

### Roof Locker, RS Forward, GT, E1 Package Option

969807	Assembly, Roof Locker, RS Forward
1. 969807&000112BB	Pre laminate, 12.5 x 18"
2. 969807&000212BB	Pre laminate, 13.13 x 12.12"
3. 969807&000312BB	Pre laminate, 13.13 x 12.12"
4. 969807&000412BB	Pre laminate, 1.00 x 18"
5. 969807&000518BB	Pre laminate, 2.75 x 18"
6. 969807&001012BB	Pre laminate, 12.91 x 16.31"
7. 969807&001112BB	Pre laminate, 16.88 x 6.38"
8. 969807&001212BB	Pre laminate, 7.50 x 17"
9. 802863-1239	Door, Macchiato, 12.38 X 17.38"
10. 116393-15	Aluminum Extrusion
11. 114849-06	Aluminum Sheet, .060 x 36 x 96"
382227	Hinge, O/H Spring Nickel Van
381228	Catch Grabber Door C3-810
365412-01	Edgebanding, Macchiato, 5/8"
365412-02	Edgebanding, Macchiato, 15/16"
701538-01	Carpet, Econolier, W/PSA Back
382059-02	Knob, Push/Pull, Black Nickel
204147	Mesh, Stretchable Plastic

# FURNITURE, LOUNGE

## Roof Locker, RS Forward, GL



Parts Listed on Next Page

## FURNITURE, LOUNGE

### Roof Locker, RS Forward, GL

969318-01

RS Forward Roof Locker Assembly

1. 969318&000112BB Panel, 12.50 x 45.90
2. 969318&000212BB Panel, 12.28 X 12.12
3. 969318&002312BB Panel, 14.75 X 16.44
4. 969318&002712BB Panel, 7.31 X 19.50
5. 969318&002812BB Panel, 17.44 X 8.00
6. 969318&000312BB Panel, 12.28 X 12.12
7. 969318&000412BB Panel, 12.28 X 12.12
8. 969318&000512BB Panel, 9.34 X 11.73
9. 969318&000612BB Panel, 5.82 X 12.00
10. 969318&000712BB Panel, 1.00 X 45.38
11. 969318&000812BB Panel, 10.65 X 16.44
12. 969318&000918BB Panel, 2.75 X 45.38
13. 969318&003312BB Panel, 12.28 x 12.12
14. 802863-1439 Door, Macchiato, 12.38 X 22.44"
15. 802863-1739 Door, Macchiato, 12.38 x 18"
16. 116393-17 Roof Locker Extrusion
17. 114849-06 Aluminum roof locker back
18. 204147 Stretchable plastic mesh
- 382059-02 Knob, Push/Pull, Black Nickel
- 381228-02 Catch, Grabber Door, 5#
- 382227 Hinge, Overhead spring, Nickel
- 704854 Carpet, PSA w/liner, Black
- 365412-01 Edgebanding, Macchiato, 5/8"
- 365412-02 Edgebanding, Macchiato, 15/16"



## FURNITURE, LOUNGE

### Roof Locker, RS Forward, GL, E1 Package Option

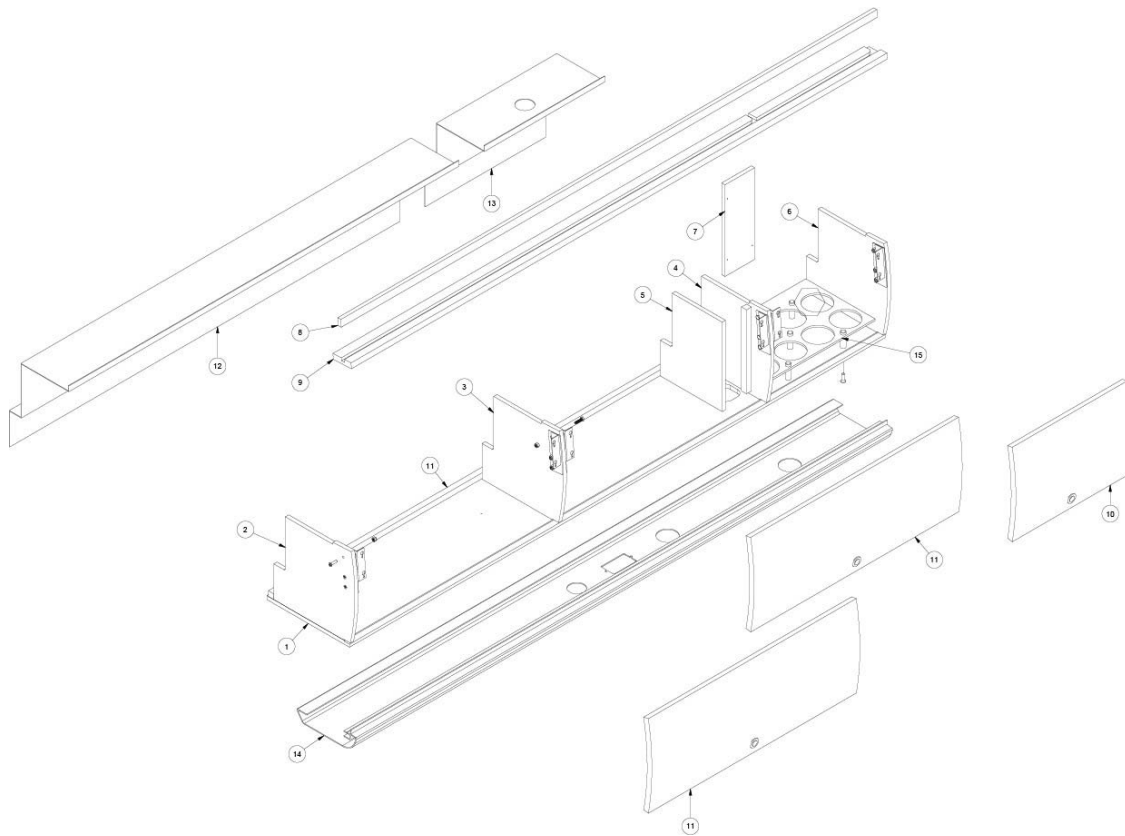
969887

Assembly, Roof Locker, RS Forward

1. 969887&000112BB Pre laminate, .50 x 12.50 x 64.09"
2. 969887&000212BB Pre laminate, .50 x 12.28 x 12.12"
3. 969887&000312BB Pre laminate, .50 x 14.75 x 16.44"
4. 969887&000412BB Pre laminate, .50 x 6.75 x 17.63"
5. 969887&000512BB Pre laminate, .50 x 17.63 x 6.38"
6. 969887&000612BB Pre laminate, .50 x 12.28 x 12.12"
7. 969887&000712BB Pre laminate, .50 x 12.28 x 12.12"
8. 969887&000812BB Pre laminate, .50 x 9.34 x 11.73"
9. 969887&000912BB Pre laminate, .50 x 5.82 x 12"
10. 969887&001012BB Pre laminate, .50 x 1.00 x 63.56"
11. 969887&001112BB Pre laminate, .50 x 10.65 x 16.5"
12. 969887&001212BB Pre laminate, .50 x 12.28 x 12.12"
13. 969887&001318BB Pre laminate, .75 x 3.13 x 63.56"
14. 802863-1439 Door, Macchiato, 12.38 X 22.44"
15. 802863-1739 Door, Macchiato, 12.38 x 18"
16. 116393-17 Roof Locker Extrusion
17. 114849-06 Aluminum Sheet, .060 x 36 x 96"
- 382059-02 Knob, Push/Pull, Black Nickel
- 381228-02 Catch Grabber Door C3-805
- 382227 Hinge, Overhead Spring, Nickel
- 204147 Mesh, Stretchable Plastic
- 704854 Carpet-Black-Psa W/ Liner
- 365412-01 Edgebanding, Macchiato, 5/8"
- 365412-02 Edgebanding, Macchiato, 15/16"

## FURNITURE, LOUNGE

### Roof Locker, RS Aft, GL



968538

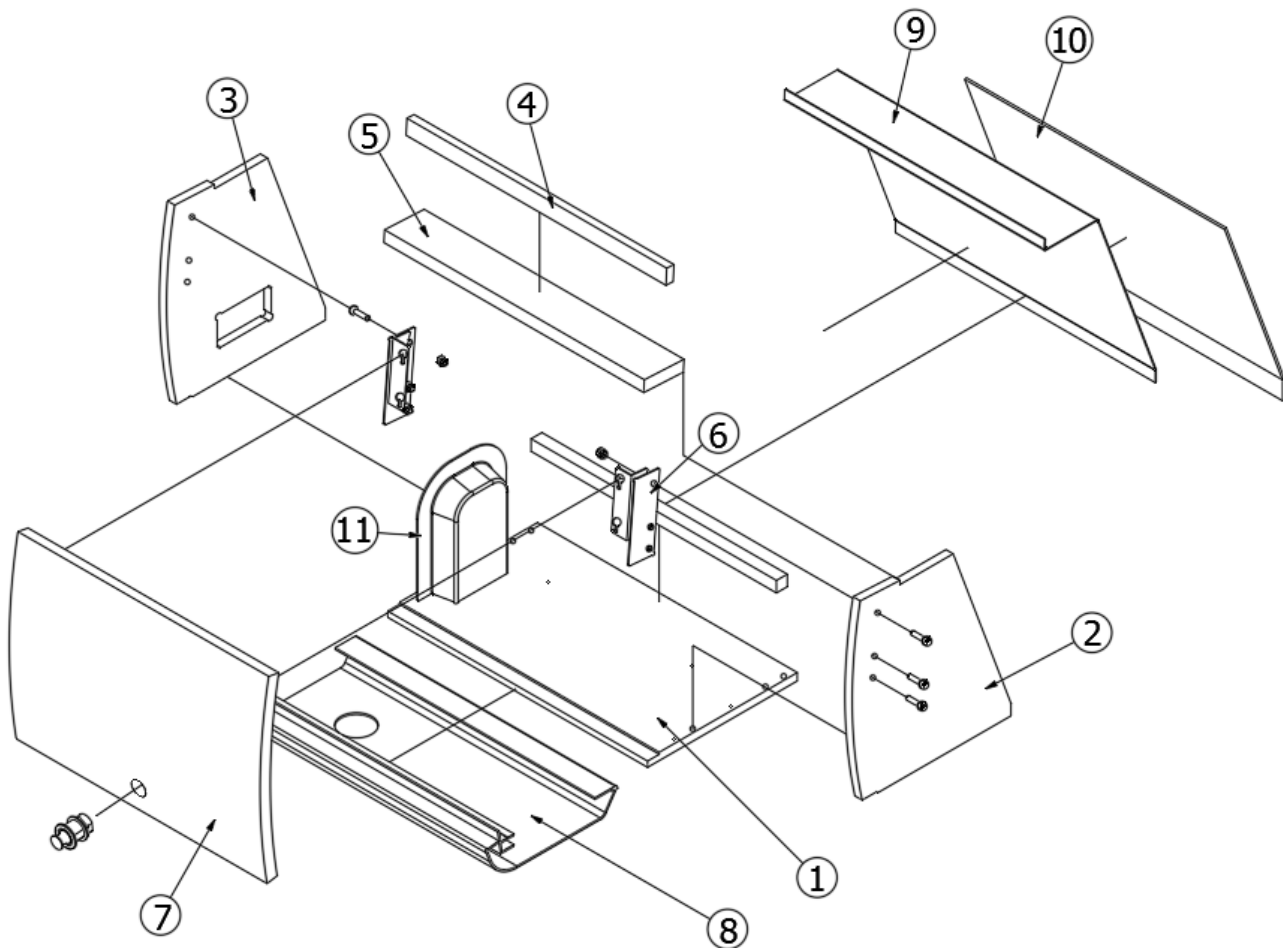
Roadside Aft Roof Locker

1. 968538&000112BB	Panel, 12.5 x 81.17
2. 968538&000212BB	Panel, 12.28 x 12.12
3. 968538&000312BB	Panel, 12.28 x 12.12
4. 968538&000412BB	Panel, 12.28 x 12.12
5. 968538&000512BB	Panel, 9.34 x 11.73
6. 968538&000612BB	Panel, 12.28 x 12.12
7. 968538&000712BB	Panel, 4.5 x 12
8. 968538&000812BB	Panel, 1 x 81.17
9. 968538&000912BB	Panel, 2.75 x 81.17
10. 802863-1239	Door, Macchiato, 12.38 X 17.38"
11. 802863-1139	Door, Macchiato, 12.38 x 31.5"
12. 115473-06	Aluminum back, 59.06"
13. 115473-12	Aluminum back, 18.25"
14. 116393-12	Roof locker extrusion
15. 203927	Insert, Glass holder
382059-02	Knob, Push/pull, Black
704854	Carpet, Econolier w/PSA back
382227	Hinge, Overhead spring, Nickel



## FURNITURE, LOUNGE

### Roof Locker, CS Forward, GL



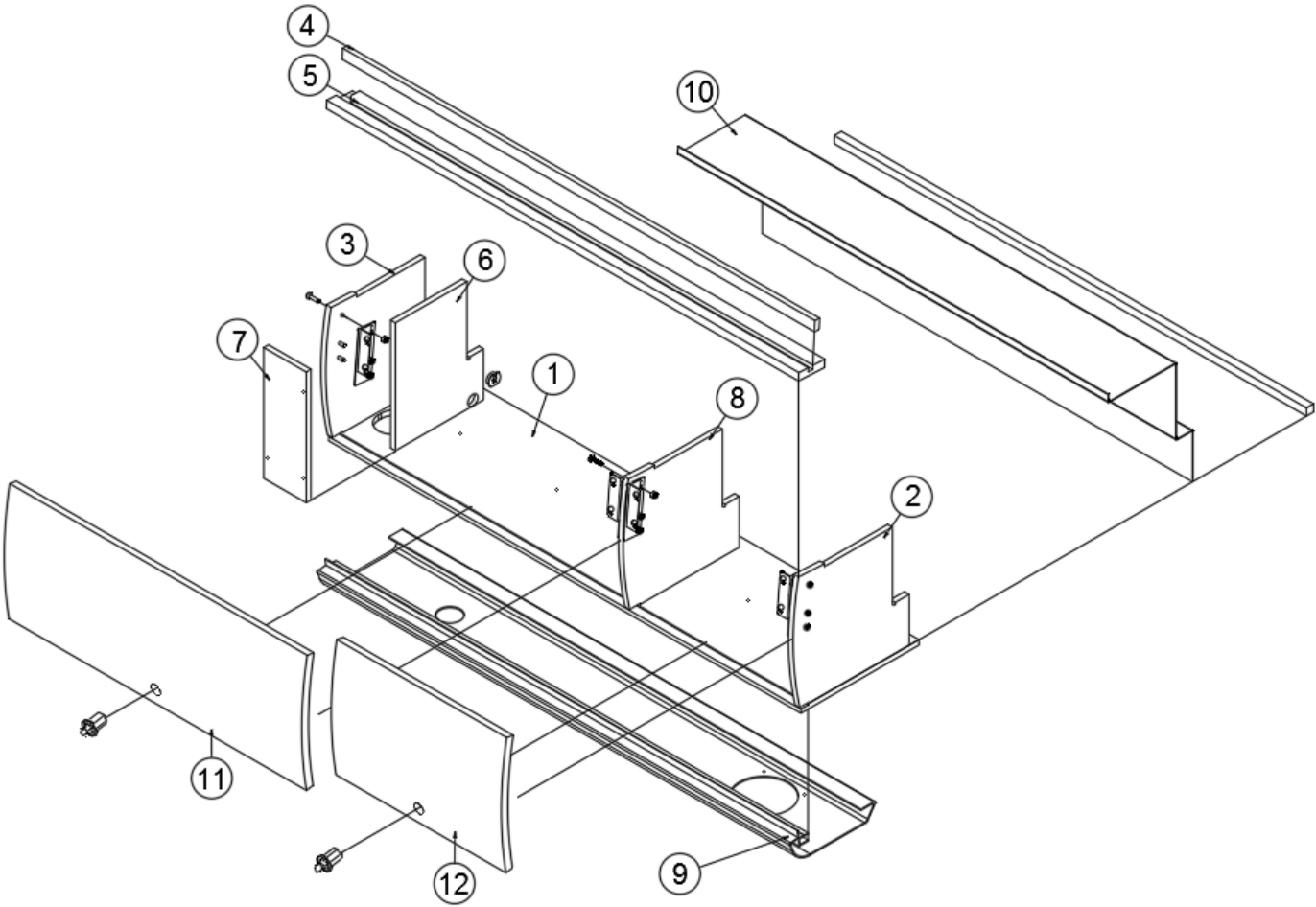
969223

CS Forward Roof Locker

- |                    |                                     |
|--------------------|-------------------------------------|
| 1. 969223&000112BB | Panel, 10.38 X 18.00                |
| 2. 969223&000212BB | Panel, 11.00 X 12.12                |
| 3. 969223&000312BB | Panel, 11.00 X 12.12                |
| 4. 969223&000412BB | Panel, 1.00 X 18.00                 |
| 5. 969223&000618BB | Panel, 2.75 X 18.00                 |
| 6. 382227          | Hinge-O/H Spring Nickel Van         |
| 7. 802863-1239     | Door, Macchiato, 12.38 X 17.38"     |
| 8. 116393-16       | Aluminum extrusion                  |
| 9. 115636-02       | Cabinet Back-Alum Rooflocker 18.00" |
| 10. 968290         | Padded Back Assy-Rooflocker         |
| 11. 200773         | Closeout, Reading Light ABS         |
| 701538-01          | Carpet-Econolier W/PSA Back         |
| 382059-02          | Knob-Push/Pull Blk Nickel           |
| 969263             | End Cap - Rooflocker                |

FURNITURE, LOUNGE

Roof Locker, Curbside, GL



Parts Listed on Next Page

## FURNITURE, LOUNGE

### Roof Locker, Curbside, GL

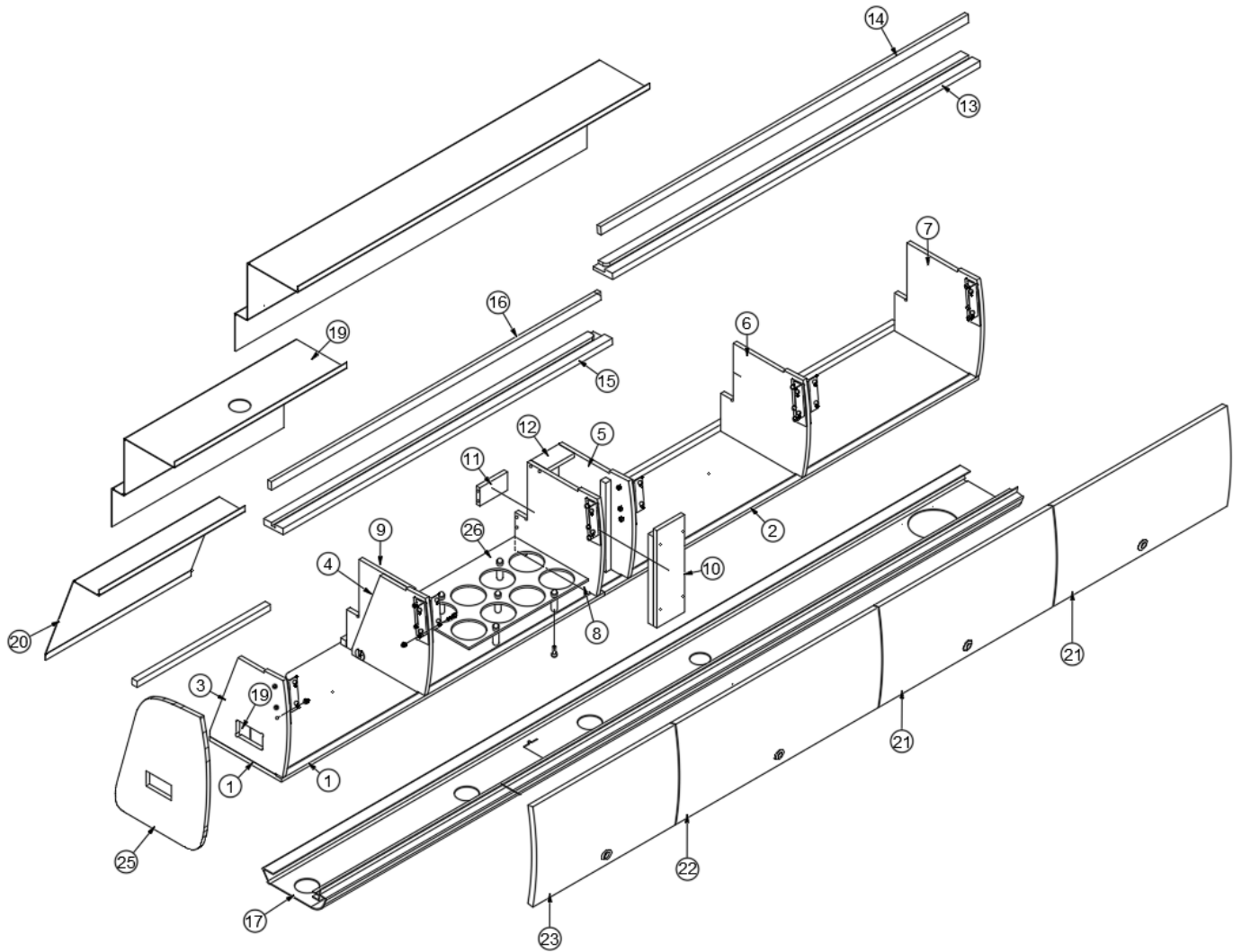
968252

Curbside Roof Locker

1. 968252&000112BB	12.50 X 50.00
2. 968252&000212BB	12.28 X 12.12
3. 968252&000312BB	12.28 X 12.12
4. 968252&000412BB	1.00 X 50.00
5. 968252&000518BB	2.75 X 50.00
6. 968252&000712BB	9.34 X 11.73
7. 968252&000812BB	4.50 X 12.00
8. 968252&001712BB	12.28 X 12.12
9. 116393-11	Aluminum extrusion
10. 115473-18	Aluminum back, 45.57"
11. 802863-1139	Door, Macchiato, 12.38 x 31.5"
802863-1739	Door, Macchiato, 12.38 x 18"
382059-02	Knob-Push/Pull Blk Nickel
382227	Hinge, Overhead spring, Nickel
365412-01	Edgebanding, Macchiato, 5/8"
365412-02	Edgebanding, Macchiato, 15/16"

# FURNITURE, LOUNGE

## Roof Locker, CS, GT



Parts Listed on Next Page

## FURNITURE, LOUNGE

### Roof Locker, CS, GT

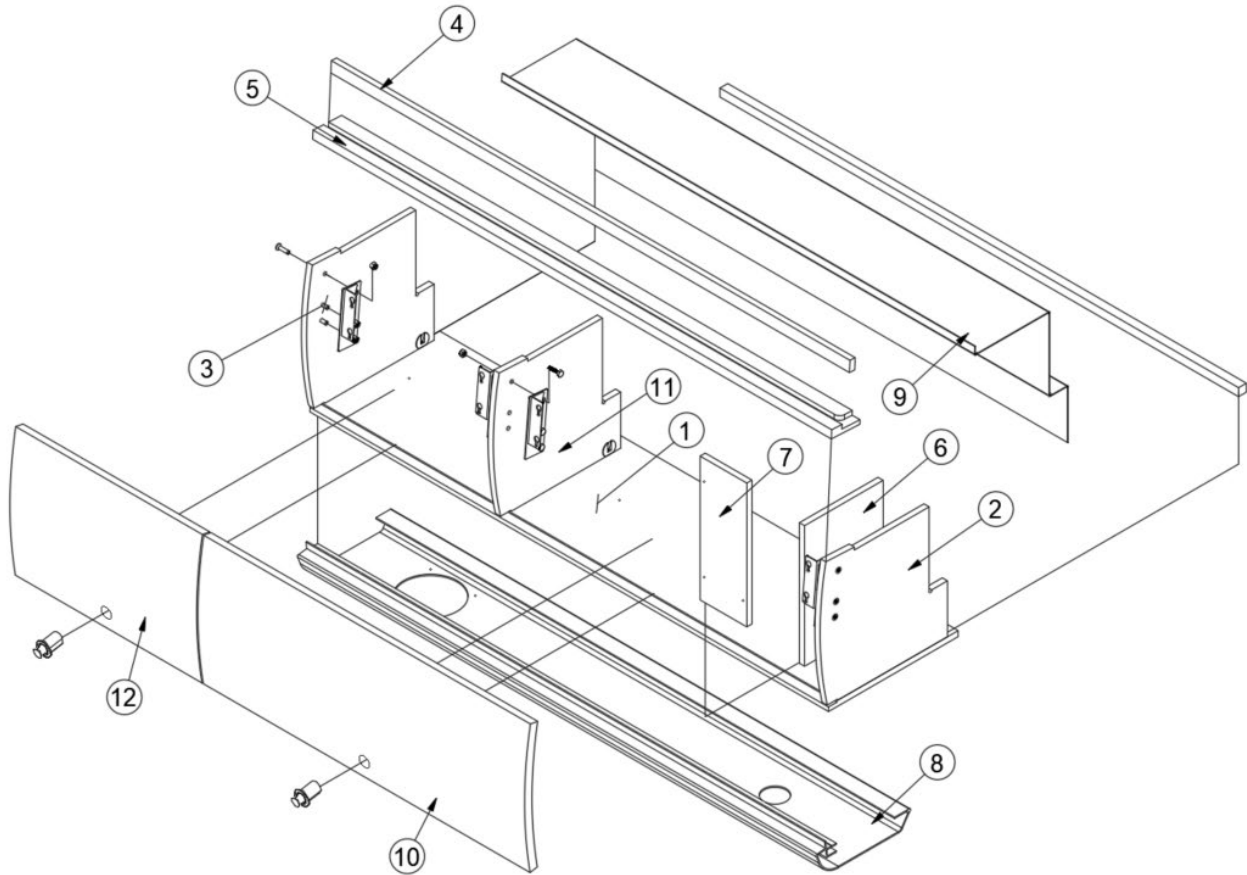
968590

ASSY - TB GT CS Rooflocker

1. 968590&000112BB	Panel-12.50 X 46.07
2. 968590&000212BB	Panel -12.50 X 53.26
3. 968590&000312BB	Panel -11.00 X 12.12
4. 968590&000412BB	Panel 11.00 X 12.12
5. 968590&000512BB	Panel 11.73 X 12.28
6. 968590&000612BB	Panel -11.73 X 12.28
7. 968590&000712BB	Panel -11.73 X 12.28
8. 968590&000812BB	Panel -12.12 X 12.28
9. 968590&000912BB	Panel 9.34 X 11.73
10. 968590&001012BB	Panel 3.95 X 12.00
11. 968590&001112BB	Panel 3.95 X 12.00
12. 968590&001212BB	Panel -2.25 X 3.95
13. 968590&001312BB	Panel -2.75 X 52.38
14. 968590&001412BB	Panel -1.00 X 52.38
15. 968590&001512BB	Panel 2.75 X 46.94
16. 968590&001612BB	Panel 1.00 X 46.94
17. 116393-21	Aluminum extrusion
18. 115473-17	Back-Alum R/L Cab 50.13"
19. 115473-15	Back- Alum R/L Cab 24.5
20. 115636-01	Cabinet Back-Alum Rooflocker
21. 802863-1539	Door, Macchiato, 12.38 X 24.75"
22. 802863-1639	Door, Macchiato, 12.38 X 28.81"
23. 802863-0339	Door, Macchiato, 12.38 X 20.25"
24. 200773	Closeout Reading Light Abs Blk
25. 969263	End Cap - Rooflocker
26. 203927	Insert-Glass Holder TB IS
382227	Hinge-O/H Spring Nickel Van
701538-01	Carpet-Econoline w/PSA Backing
365412-01	Edgebanding, Macchiato, 5/8"
365412-02	Edgebanding, Macchiato, 15/16"
382059-02	Knob-Push/Pull Blk Nickel

## FURNITURE, LOUNGE

### Roof Locker, RS, Extra Seat Option, GT



968210

Assy-RS Rooflocker Ex St Opt

1. 968210&000112BB	12.50" X 50.00
2. 968210&000212BB	12.28" X 12.12"
3. 968210&000312BB	12.28" X 12.12"
4. 968210&000412BB	1.00" X 50.00
5. 968210&000518BB	2.75" X 50.00"
6. 968210&000712BB	9.34" X 11.73
7. 968210&000812BB	4.50" X 12.00"
8. 116393-14	Aluminum extrusion
9. 115473-18	Back-Alum R/L Cab 45.57 X 6.84
10. 802863-1139	Door, Macchiato, 12.38 x 31.5"
11. 968210&001712BB	12.28" X 12.12"
12. 802863-1739	Door, Macchiato, 12.38 x 18"
365412-01	Edgebanding, Macchiato, 5/8"
365412-02	Edgebanding, Macchiato, 15/16"
382059-02	Knob-Push/Pull Blk Nickel
382227	Hinge-O/H Spring Nickel Van

## HARDWARE

### Seat Belts, Cup Holders, and Brackets

382190-01	Seat belt, Mercedes style
382190-02	End release, Lap belt
704496	Seat belt cover, Rear lounge
454675	Seat belt bracket, RS
454926	Seat belt bracket, CS
455334	Backer, Seat belt
455341	Backer, Seat belts, Outboard, 3.25 x 1.5"
456026	Spacer/Backer, Seat Belts Outboard
456027	Spacer/Backer, Seat Belt Center
382089	Cap-Black Bolt #129572
203977	Housing, Seat belt
203977-01	Housing, Seat belt
916037-01	Seat pedestal, Roadside seat
916037-02	Seat pedestal, Curbside seat
203610	Cup holder, Double
204137	Cupholder Double Flip Out

### Sofa

455342	Backer, Sofa legs, Upper
455343	Backer, Sofa legs, Lower
455341	Backer, Seat belts, Out board

### Bath Accessories

602175	Toilet roll holder, Dryroll
382686	Soap Dispenser-Chrome 500ML X
382098	Handle, 14.25", Glass Chrome (Towel bar)

### Shower Curtain

998202	Shower curtain
100097	Curtain track

### Clothesline

382063	Retractable clothesline
--------	-------------------------

### Storage Cubby

802455-0039	Storage Cubby CS Rear Macchiato
802456-0039	Storage Cubby RS Rear Macchiato

## HARDWARE

### Cargo Cover

703966	Cargo Cover
700617-01	Hook, DS-150
382123	Clip, Shock cord, Black
115042	Rod, .25", Aluminum
382124	Hook, Shock cord, Black
704870	Vinyl, Wallaby Black, 54"

### Hinges

381607-14	Hinge, Self-close, 160° overlay
381607-17	Baseplate, 2MM X 37/32, Screw On
382227	Hinge, Overhead spring, Nickel
382125	Piano hinge, Clear
382694	1" Piano Hinge- Black W/ Holes
383035	Hinge, Scissor, SS

### Drawer Slides

382820-02	Drawer Slide, Soft-Close, 12"
382820-03	Drawer Slide, Soft-Close, 15"
382820-06	Clips, Adjustable, Pair
381925-02	Drawer slide, Side mount, 20"
381400	Drawer slide, Pair, 14"



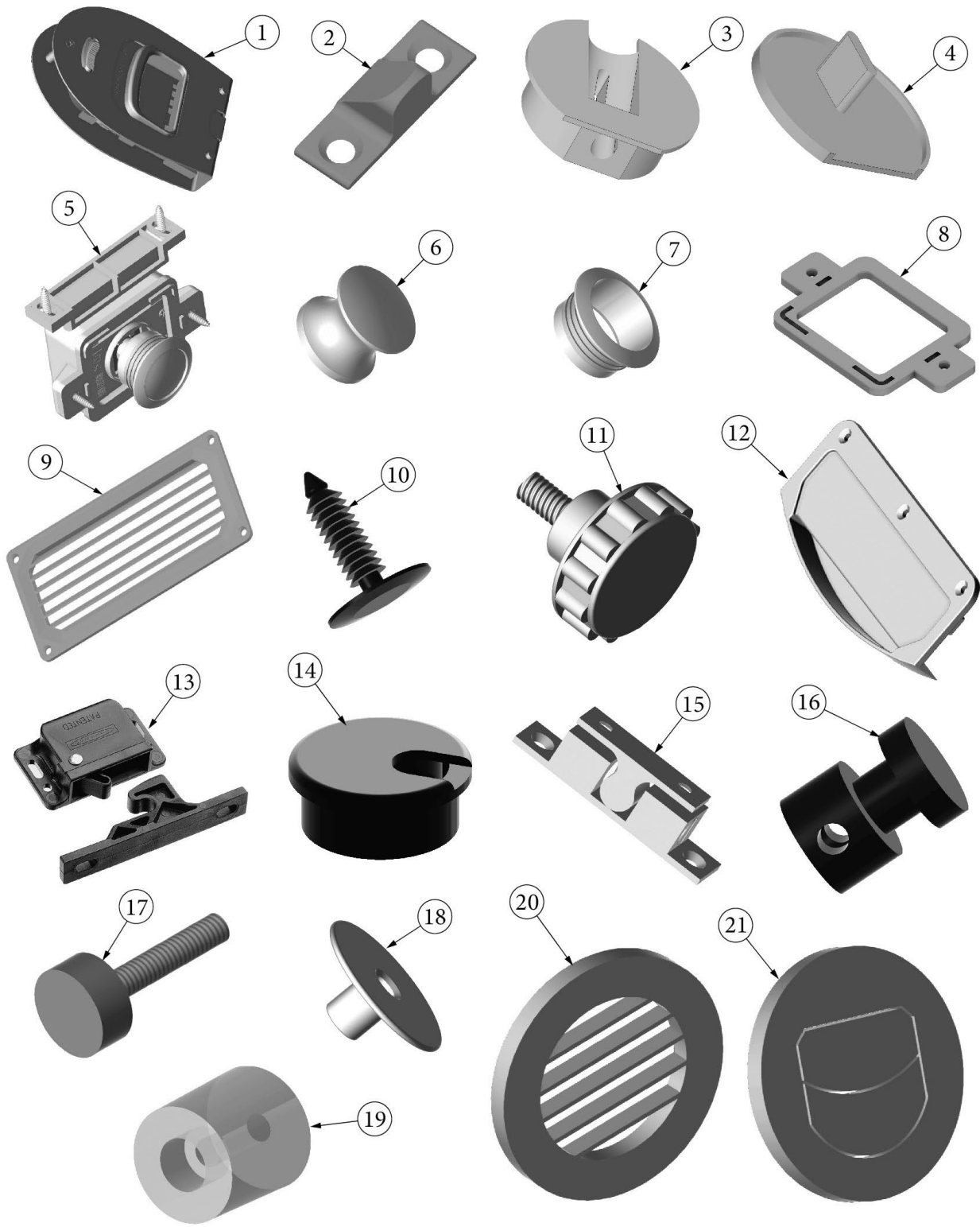
## HARDWARE

### Tommy Bahama Product Package

998246	Kit, Tommy Product Package
704356-01	Stainless steel cooler, 54 QT.
704356-02	Padded event chair
704356-13	Ice bucket, Gunmetal
704356-16	Hand cream, Coconut Oasis
704356-17	Towel set, Lago Palm
704356-18	Throw, Coconut
704356-20	Corkcicle Wine Cup, Matte Black

# HARDWARE

## Interior Handles, Latches, and Fasteners



Parts Listed on Next Page

## HARDWARE

### Interior Handles, Latches, and Fasteners

1. 382055 Privacy Latch, Lavatory Door
2. 382061 Striker, Privacy Latch, Lavatory Door
3. 382057 Knockdown
4. 382057-03 Cap, Knockdown, Brown
5. 383069 Whisper Latch Assembly, Black Chrome
6. 383069-01 Round Knob, Whisper Latch, Black Chrome
7. 383069-02 Bezel, Whisper Latch, Black Chrome
8. 382836-03 Shim, Whisper Latch
9. 382297 Vent, Black Plastic, 4 x 8"
10. 382062 Fastener, Finned, .25"
11. 382095 Knob, Knurled, 1/4-20 X .50"
12. 382386 Handle, Screen Door
13. 381228-02 Catch, Grabber Door, 5Lbs
- 381228 Catch Grabber, Door, 10LBS
14. 381209-02 Grommet w/cap, 1.5" hole, Black
15. 382695 Multidirectional Grab Catch, Brass
16. 382511 Knob, Black Pull, w/Sets
17. 345539 Thumb Screw, Black Plastic Head, For Vent/Grill
18. 350201 Tee Nut, Without Prongs
19. 381136 Rubber Bumper
20. 690797-33 Grill, 60mm Slanted, Timberline
21. 690797-34 Grill, 60mm, Adjustable, Timberline

## HARDWARE

### Rivets

330149	Pop rivet, Aluminum
325130	Rivet nut for plastics, Zinc plated
325127	Rivet, Magna-Lok, 3/8", Protruding head, Steel
325128-01	Rivet, .125-.50, Steel
325132	Rivet, Bulb Tite.25" Steel
330031-01	Rivet, 3/16 X 5/8, SSD68SSBS
330127-05	Rivet, 1/8" AD45ABS
330167	Rivet, 1/8" Trifold-0 To .25

## HARDWARE

### Screws

381609-02	Screw, Hafele European #9 1"
381609-05	Screw, Hafele European #9 1 1/2
320008	Screw, #8 X 1.25" BH Type A Ph
320029	Screw, #8x3/4 Pan Head Phil Dr
320029-01	Screw, #8x1/2 PPH Type A SMS 18-
320029-03	Screw, #8 X 1.5 Ss Self Tap
320035	Screw, 8x1/2 Ph Type A Phil Wd
320060	Screw, #8 X 1 1/2 White
320079-02	Screw, #8 X 3" Black Ph Phil.
320111	Screw, #8 X 3/4"-Sd-Pph-Ss
320116-06	Screw, Black Phil Head Screw #8; 1"
320116-08	Screw, Black Phil Head #8; 1 1/
320116-14	Screw, Sheet Metal #8 PPH Black 2"
320139	Screw, #8x.75"W/#10 Washer
320158	Screw, #8-18x.75"Self-Tapping
320161	Screw, Self-Tap Head 1/4-14 X 1.5
320200	Screw, #10-32 X 1 1/4" Sheet Me
320209	Screw, Wood Flt Hd Phil #14x1 1
320220-01	Screw, Floor #12-14 X 1.73 Phil
345073-08	Screw, 1/4-20 X 1 3/8 Wafer Hd.
345084	Screw, 1/4-14x1 Thd. Cutting
345298-02	Screw, Wood #14x1" Pan Ph
345308-04	Screw, #8 Phps Hd 1 1/4" Lt. dMap
345308-06	Screw, #8 Phps Hd 2" Lt. Maple
345330-09	Screw, 1/4-20 X 3 Fh Self Thread
345353-03	Screw, #6 X 0.75 Flat Hd- Phil
345355	Screw, #8 X 3/4 Fh Ph Ss
345385	Screw, #8 X 1 Black Truss Hd Phi
345387	Screw, 1/4-14 X .75" Self Drill
345477-01	Screw, Zinc-Plated, 1/2"-13 T
345480	Screw, #8 X .75" Torque Hd
345522	Screw, 1/4"-20 Hex Hd Cap 1" Se
345525	Screw, #6 X 1/2" Black Ox Ss
345539	Screw, Thumb #8-32x.875 Black Pla
345602	Screw, #6-18 X .5"Ss Ph #2 Dri
345625	Screw, #2 X .375" Lg Ph#90184a

## SAFETY EQUIPMENT

### Detectors and Fire Extinguisher

512260	Detector-Smoke/Carbon Monoxide
690381-02	Fire extinguisher
513796	Detector-LP-CO2

## LABELS AND TAGS

### Labels and Tags

386121	Label, LPG Gas Warning Label (Odor)
386122	Warning Label/Cooking Appliance
386120	Label, Smoke Detector
386574-01	Exit Label, English
386119	Label, "Do Not Store Combustible"
386124	Label, Refueling Warning
386222	Sticker, Curbside Rear Door Handle
386113	Label, RVIA Gold
386123	Label, "Potable Water Only"
602205-12	Sticker, Instruction Macerator
386373	Decal, On/Off LPG Remote Fill
386237	Label, Lock/Unlock
386226	Label, RV Master Weight Label
386291	Label, Warning Battery Ground
386252	Label, Hepvo waterless trap
386249	Label, No storage compartment
386311	Label, Folding Screen Warning
386366	Decal, Warning Light Auto Gen Start
386391	Label, Sliding Door Emergency Release
386383	Label, LPG System
386558	Decal, 110-125 Voltage
386477	Label, Solar prewire
386556-11	Label, QR code, GL & GT
386563	Label, this is not a grab handle
514142-29	Label, Firefly Warning
385966	Label, Inverter
386306	Label, Travel Warning, White Text on Black Label,
S00417	Label, GFIC Protected

## LABELS AND TAGS

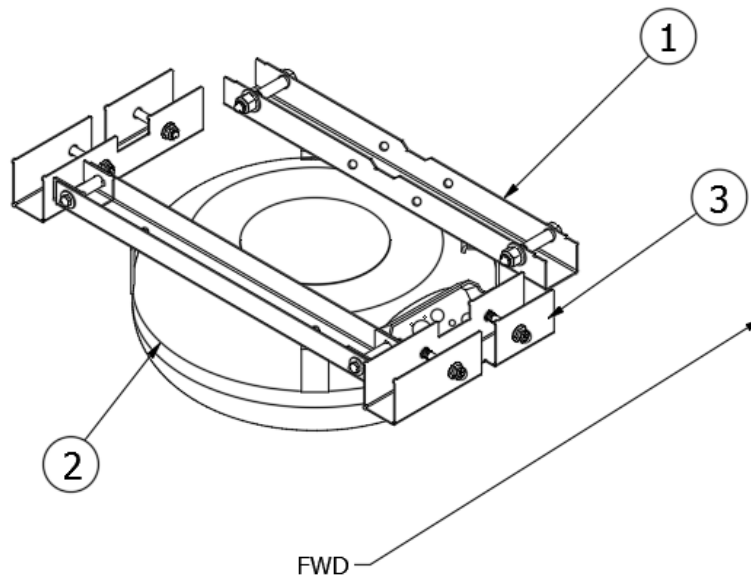
### Labels and Tags, E1 Package Option

386574-01	Exit Label, English
386113	Label, RVIA Gold
386119	Label, "Do Not Store Combustibl
386120	Label, Smoke Alarm Warning
386123	Label, "Potable Water Only"
386222	Sticker, CS Rear Dr Handle Red
386226	Label, RV Master Weight Label
386237	Label, Lock/Unlock Ncv3
386249	Label, No Storage Compt Ad-13
386252	Label, Hepvo Waterless Trap
386291	Label, Warning Battery Ground
386303	Label, Surface Cleaning #Ar0116
386306	Label, Travel Warning
386311	Label, Folding Screen Warning (
386335	Label, Lpg Service Port Atlas
386381-1	Label, Hitch Weight Rating I19n
386391	Label Sliding Door Emergency R
386419	Label, Lithium Battery Box
386477	Label, Solar Prewire
386552	Label, Vented Battery Cmprt
386556-11	Label, QR Code
386558	Decal, 110-125 Voltage Perm Adh
386563	Label, This Is Not A Grab Handl
386580	Label, Volta Control Box
386581	Label, Volta Battery - No User
601441-103	Label, Caution-Tank Flush Valve



## PLUMBING, LPG SYSTEM

### Toroidal LPG Tank



113172 Install, LP Tank, Toroidal (not for order/see parts below)

- 1. 455684 Bracket - Mtg Toroidal Lp Tank Fwd
- 2. 602417 Tank-Propane Toroidal 14.6 GAL
- 3. 455685 Bracket - Aft Toroidal LP Tank
- 455688 Cover - Toroidal LP Tank
- 455641 Bracket-LP Regulator

### LPG Remote Fill

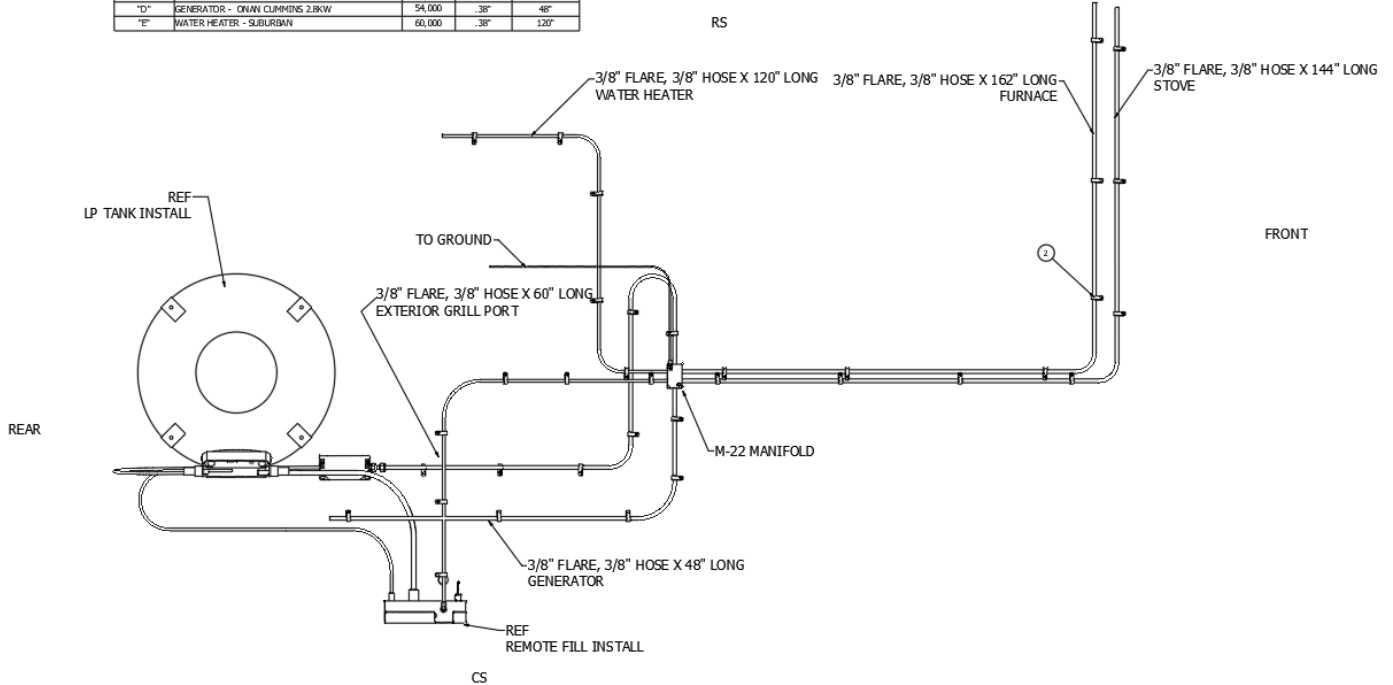
112927 Install, Remote Fill (not for order/see parts below)

- 455591 LP Remote Fill assembly
- 454680-100 Filler Vent, LP, Brass, 1/4"
- 454680-101 Union, 1/4" X 1/4"
- 454680-102 Cap, Yellow, For Filler Valve
- 454680-103 Fitting, Brass, 1/2" Flare x 3/4"
- 454680-104 Filler Valve, Acme, W/Cap
- 455590 Bracket, Remote LP fill
- 602109-01 Coupler, Quick disconnect
- 386373 Decal, ON/OFF Remote Fill
- 512434 Switch Heavy Duty 25amp
- 386383 Label, LPG Systems
- 455563 LP Fill Cover Bracket

# PLUMBING, LPG SYSTEM

## LPG System, GL

LOCATION	APPLIANCE	MAX BTU	HOSE I.D.	HOSE LENGTH
"A"	FURNACE - SUBURBAN NT	16,000	.38"	162"
"B"	2 BURNER COOK TOP - SNEV	8,600	.38"	144"
"C"	EXTERIOR GRILL PORT	10,000	.38"	60"
"D"	GENERATOR - ONAN CUMMINS 2.8KW	54,000	.38"	48"
"E"	WATER HEATER - SUBURBAN	60,000	.38"	120"



943929

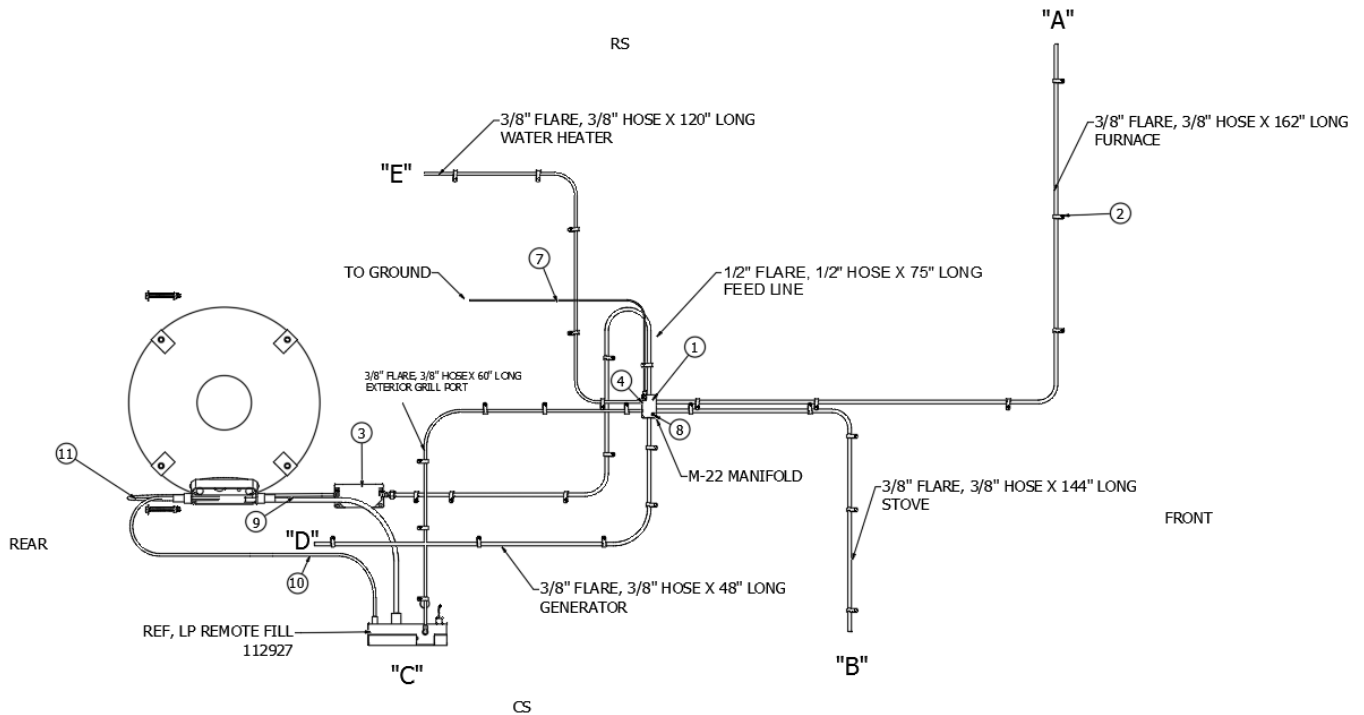
LP System (not for order/see parts below)

1. 602445 Flex-Tech LP
2. 340085-06 Clamp, 5/8" Dia
- 602977 Cover, Regulator, Black
- 350158-01 Washer, Lock Tooth(Int-Ext)-1/4
- 943833 LP regulator and fittings assembly
- 500038 Lug, Ground
- 500839 Wire, 8 gauge, Bare Copper
- 320210 Screw-Self Tapping HX HD 1/4-14
- 602448 Hose-1/2x36 Type III LP 1/2 FLR
- 602772 Hose, Type III, LP, 3/8" x 48"
- 602603 Hose-1/4x60 Type III LP 1/4 FLR
- 455591 LP remote fill
- 512434 Switch, toggle, heavy duty, 25A
- 386373 Plate, toggle switch legend
- 386383 Label, LPG Systems

# PLUMBING, LPG SYSTEM

## LPG System, GT

LOCATION	APPLIANCE	MAX BTU	HOSE I.D.	HOSE LENGTH
"A"	FURNACE - SUBURBAN NT	16,000	.38"	162"
"B"	2 BURNER COOK TOP - SMEV	8,600	.38"	144"
"C"	EXTERIOR GRILL PORT	10,000	.38"	60"
"D"	GENERATOR - ONAN CUMMINS 2.8KW	54,000	.38"	48"
"E"	WATER HEATER - SUBURBAN	60,000	.38"	120"



943928

LP System (not for order/see parts below)

- |              |   |
|--------------|---|
| 1. 602471    | Flex tech LP, Toroidal tank                   |
| 2. 340085-06 | Clamp, Loop, Steel W/Rubber,,.75 Dia          |
| 3. 602977    | Cover, Regulator, Black                       |
| 4. 350158-01 | Washer, Lock Tooth(INT-EXT)-1/4               |
| 5. 943833    | Kit-LP Regulator 3/8"F IN 1/2"M OUT           |
| 6. 500038    | Lug, Ground                                   |
| 7. 500839    | Wire, Bare Copper, 8ga 500' Rolls             |
| 8. 320210    | Screw-Self Tapping HX HD 1/4-14               |
| 9. 602448    | Hose -1/2" 36" Type Iiilp Hose                |
| 10. 602603   | Hose-1/4x60 TYPE III LP 1/4 FLR               |
| 11. 602772   | Hose-.3/8 X48" Type Ii 3/8 Male Flare Fitting |

## PLUMBING, FRESH WATER SYSTEM

### Faucet and Sink, Galley, GL

602260 Sink, Single bowl, SS  
602899 Faucet, No pull-down, Kohler Orb

### Faucet and Sink, Galley, GT

602260 Sink, Single bowl, SS  
602634 Faucet- Galley ORB #K560-2BZ  
204010-01 Cover, Sink, Black, 14.13 x 11.88"

### Faucet, Wet Bath

602251 Faucet, Pull-out

### Exterior Shower

602288-02 Hose w/sprayer, 15'  
602288-01 Exterior Shower Box, Gray  
602288-9775 Exterior shower box, Silver  
602288-01T Exterior shower box, Tenorite Grey Metallic

## PLUMBING, FRESH WATER SYSTEM

### Water Management Panel

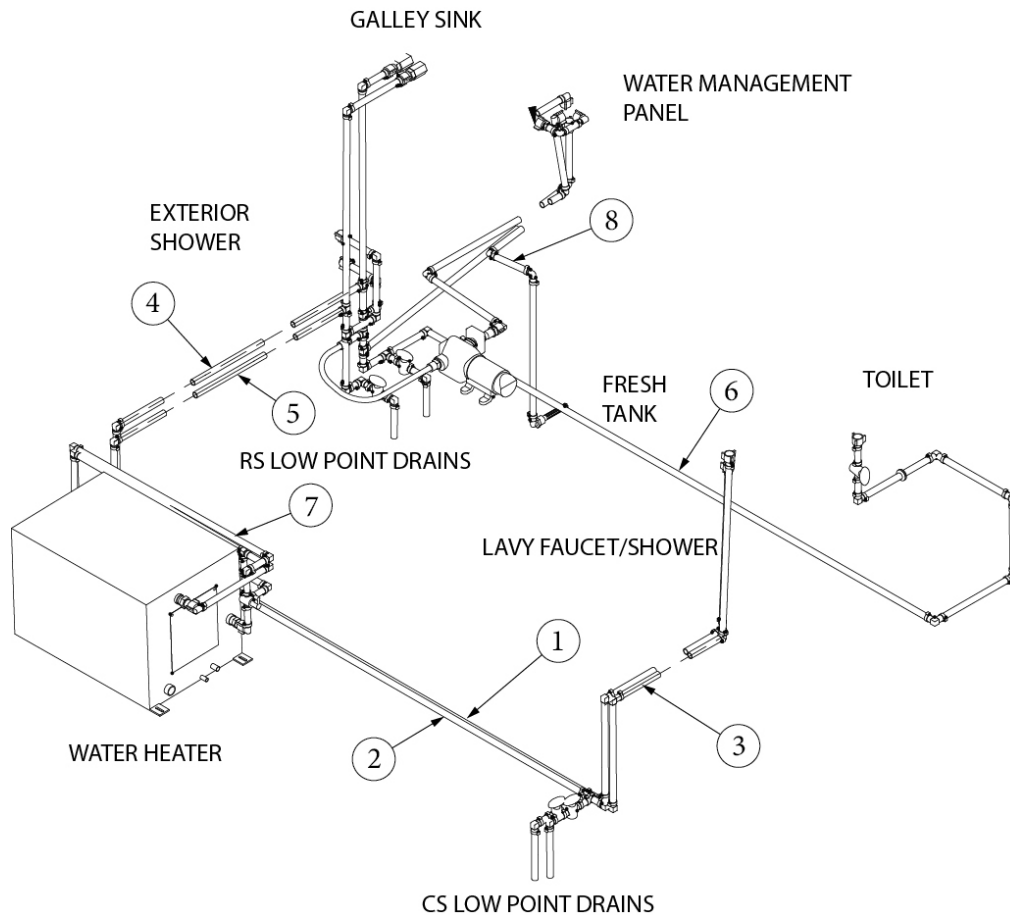
135006	Install, Water Panel, GL/GLE1/GTE1 (not for order/see parts below)
135045	Install, Water Panel, GT (not for order/see parts below)
602927-01	Water Management Panel, w/screen and regulator label
383004	Gasket, Water Panel
602966	Pressure Regulator, Inline, 50 PSI
602963	Inline Filter, Mesh, Size 30
455933	Closeout, Water Management Panel
455934	Closeout, Water Management Panel, GT
320029-01	Screw, #8x1/2
345654	Screw, Self-Drilling, SS #10 x 1"

### Fresh Water Tank

602786	Tank Fresh Water, 27 Gallon
454661	Fresh water tank support
454664-01	Rod, Fresh water tank, 14"
454664-02	Rod, Fresh water tank, 12.75"
454664-03	Rod, Fresh water tank, 13.5"
601240-01	Tubing 1/2 I.D. X 3/32 Wall Thick
511812	Heating pad
203648	Close off, Water tank, Plastic
203656	Spacer, Water tank

# PLUMBING, FRESH WATER SYSTEM

## Fresh Water Lines, GL



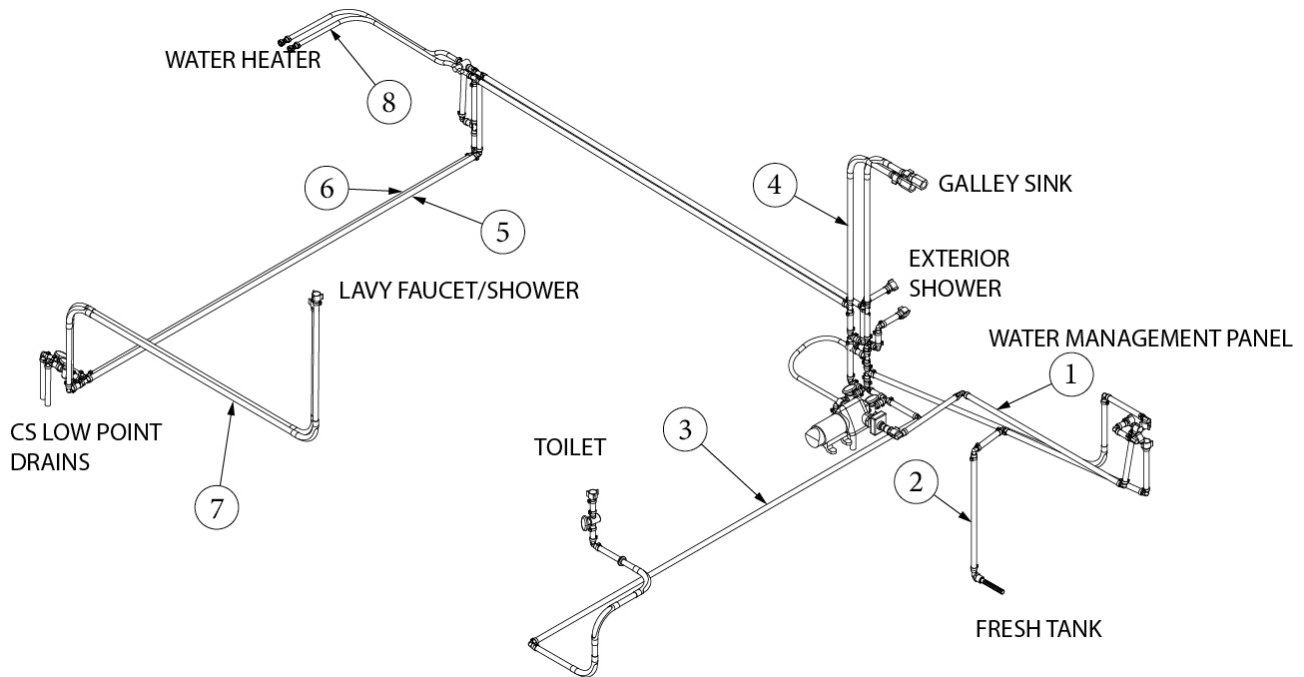
943856

Fresh Water Layout (not for order/see parts below)

- |              |                                |
|--------------|--------------------------------|
| 1. 943856-03 | Cross car, Cold                |
| 2. 943856-04 | Cross car, Hot                 |
| 3. 943856-05 | CS water lines                 |
| 4. 943856-06 | RS water lines, Cold           |
| 5. 943856-07 | RS water lines, Hot            |
| 6. 943856-08 | Cross car, Toilet              |
| 7. 943856-09 | Hot water bypass               |
| 602177-01    | Water pump, Flojet             |
| 602177-02    | Strainer, Mini                 |
| 602177-04    | Quick connect, .5"             |
| 602186       | Flex hose, 20"                 |
| 601723       | Filter Screen, Water           |
| 602217       | Rubber washer, Exterior shower |
| 382101       | Grommet, Rubber, 5/8"          |

## PLUMBING, FRESH WATER SYSTEM

### Fresh Water Lines, GL, E1 Package Option



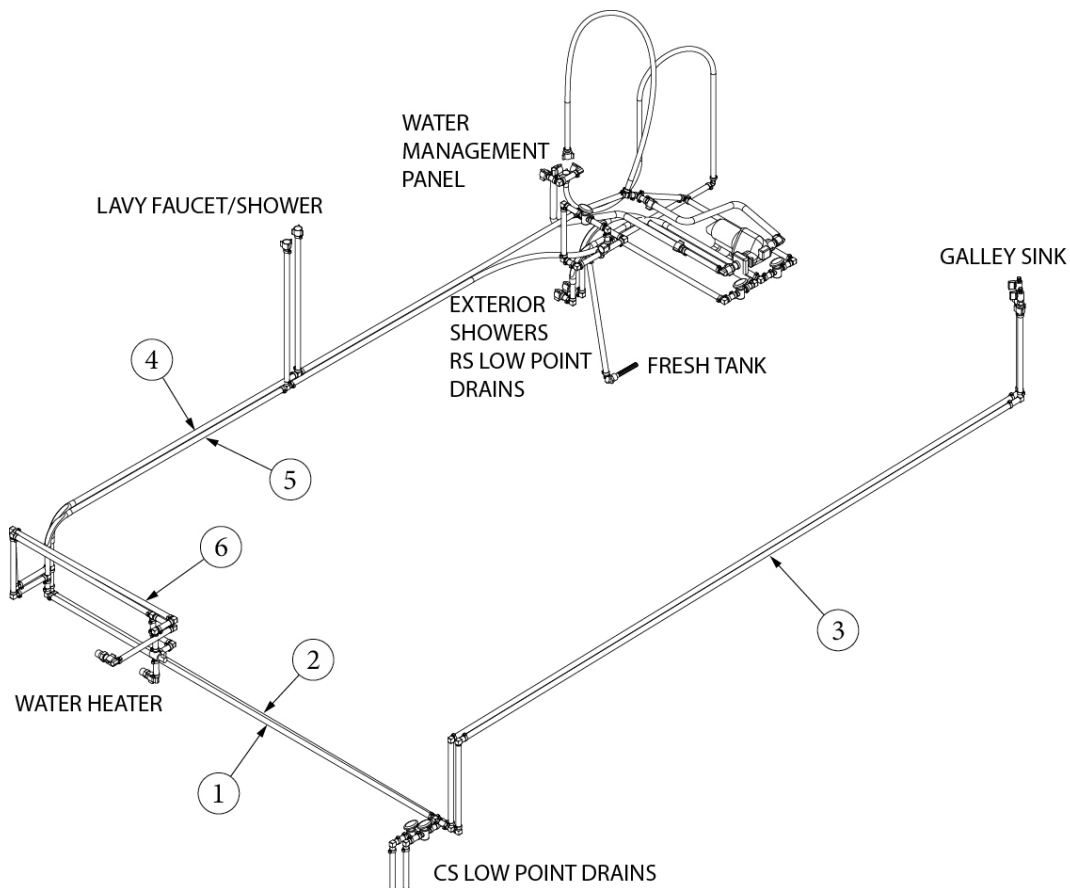
944035

Layout, GL, E1 Package Option (not for order/see parts below)

- |              |                                |
|--------------|--------------------------------|
| 1. 944035-01 | Layout, Fresh Water            |
| 2. 944035-02 | Rs Water Lines, Cold           |
| 3. 944035-03 | Toilet Cross-Car               |
| 4. 944035-04 | Rs Water Lines, Hot            |
| 5. 944035-05 | Cross Car Water Lines, Cold    |
| 6. 944035-06 | Cross Car Water Lines, Hot     |
| 7. 944035-07 | CS Water Lines                 |
| 8. 944035-08 | Layout, Hot Water Bypass       |
| 602177-01    | Water Pump, Flojet             |
| 602177-02    | Strainer, Mini                 |
| 602177-04    | Quick connect, .5"             |
| 602186       | Flex hose, 20"                 |
| 601723       | Filter Screen, Water           |
| 602217       | Rubber washer, Exterior shower |
| 382101       | Grommet, Rubber, 5/8"          |

# PLUMBING, FRESH WATER SYSTEM

## Fresh Water Lines, GT



943857

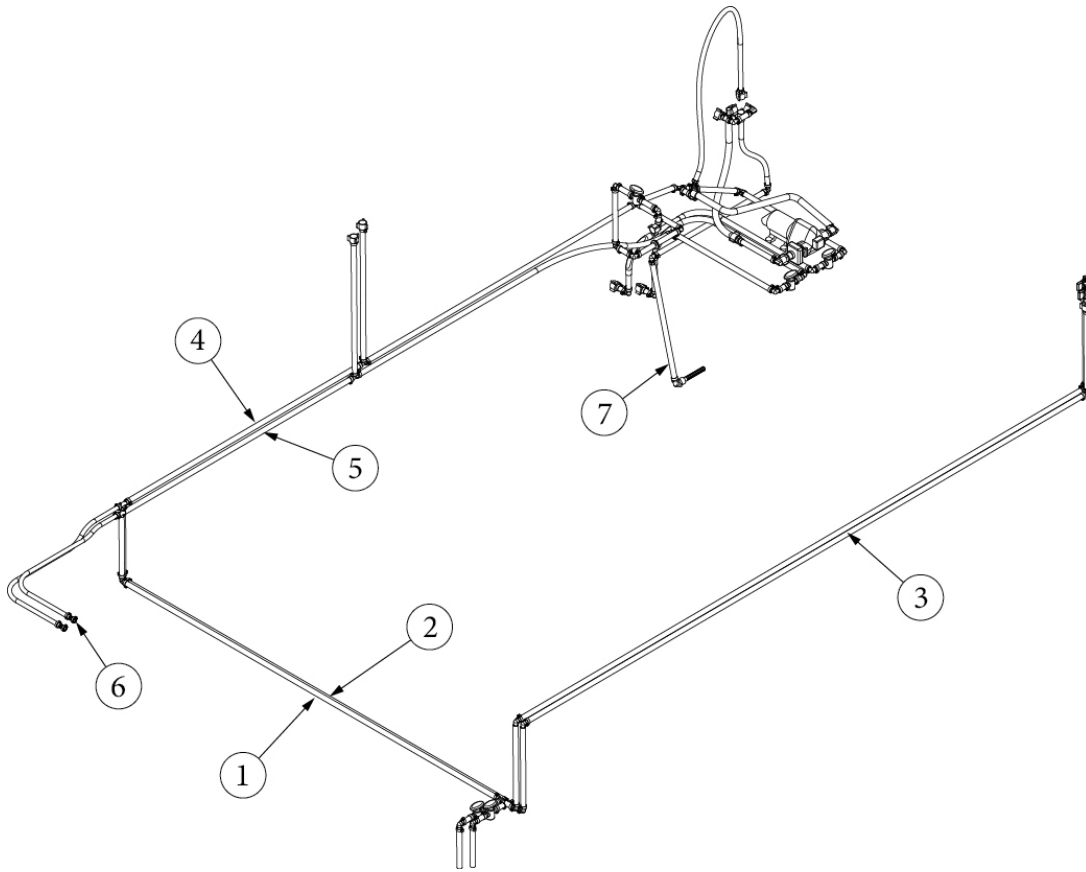
Fresh Water Layout (not for order/see parts below)

- |              |                                   |
|--------------|-----------------------------------|
| 1. 943857-03 | Cross car, Cold                   |
| 2. 943857-04 | Cross car, Hot                    |
| 3. 943857-05 | CS water lines                    |
| 4. 943857-06 | RS water lines, Cold              |
| 5. 943857-07 | RS water lines, Hot               |
| 6. 943857-08 | Hot water bypass                  |
| 602177-01    | Pump, Water Flojet                |
| 602177-02    | Strainer, Mini assembly           |
| 602177-04    | Quick connect, Pump, .5"          |
| 602186       | Flex hose, 20", Swivel connection |
| 601723       | Filter Screen, Water              |



# PLUMBING, FRESH WATER SYSTEM

## Fresh Water Lines, GT, E1 Package Option



944027

Layout, GT, E1 Package Option (not for order/see parts below)

- |              |                                |
|--------------|--------------------------------|
| 1. 944027-01 | Cross Car Water Lines, Cold    |
| 2. 944027-02 | Cross Car Water Lines, Hot     |
| 3. 944027-03 | CS Water Lines                 |
| 4. 944027-04 | RS Water Lines, Cold           |
| 5. 944027-05 | RS Water Lines, Hot            |
| 6. 944027-06 | Layout, Hot Water Bypass       |
| 7. 944027-07 | Layout, Water Pump             |
| 602177-01    | Water Pump, Flojet             |
| 602177-02    | Strainer, Mini                 |
| 602177-04    | Quick connect, .5"             |
| 602186       | Flex hose, 20"                 |
| 601723       | Filter Screen, Water           |
| 602217       | Rubber washer, Exterior shower |
| 382101       | Grommet, Rubber, 5/8"          |

# PLUMBING, FRESH WATER SYSTEM

## Fresh Water Fittings



Parts Listed on Next Page

## PLUMBING, FRESH WATER SYSTEM

### Fresh Water Fittings

1. 602918                      Water Line, 1/2", Flexible, Blue  
   601698-01                  E-Pex tube, 1/2", Blue
2. 602919                      Water Line, 1/2", Flexible, Red  
   601698-21                  E-Pex tube, 1/2", Red
3. 602926                      Pinch Clamp, Oetiker, 1/2"
4. 601698-15                  Crimp ring, .5" E-Pex, .5", Black
5. 602217                      Rubber washer, Exterior shower
6. 602256-01                  Nipple-Poly .5"MPT X .5"MPT
7. 602256-02                  Coupler, .5" barb x .5" MPT
8. 602256-03                  Coupler, .5" barb x .5" FPT
9. 602256-04                  Elbow, Poly .5" Barb X .5 MPT
10. 602256-05                  Elbow, .5" barb x .5" FPT
11. 602256-08                  Coupling, Poly, .5" Barb
12. 602256-10                  Elbow, .5" barb x .5" barb
13. 602256-11                  Tee, .5" x .5" x .5"
14. 602256-12                  Adapter, PEX Poly, Alloy, Female, 1/2FPT X 1/2 FPT
15. 602256-22                  Shut-off, .5" barb x .5" barb, Plastic
16. 602308                      Check valve, .5" MPT x .5" MPT
17. 602711                      Valve, 3 Way, Bypass .5"PEX #32788
18. 602137                      Valve, Shutoff, 1/2" Barb x 3/8" Comp
19. 601240-01                  Tubing 1/2 I.D. X 3/32 Wall Thick
20. 601723                      Filter Screen
21. 382101                      Grommet, Rubber, .63ID, .88OD, #9307K65
22. 602177-02                  Strainer, Mini
23. 602177-04                  Pump port, Quick connect, .5" barb
24. 601774                      Elbow Support-90D 1/2"
25. 602186                      Flex hose, 20" w/swivel connection

## PLUMBING, DRAIN SYSTEM

### Holding Tanks

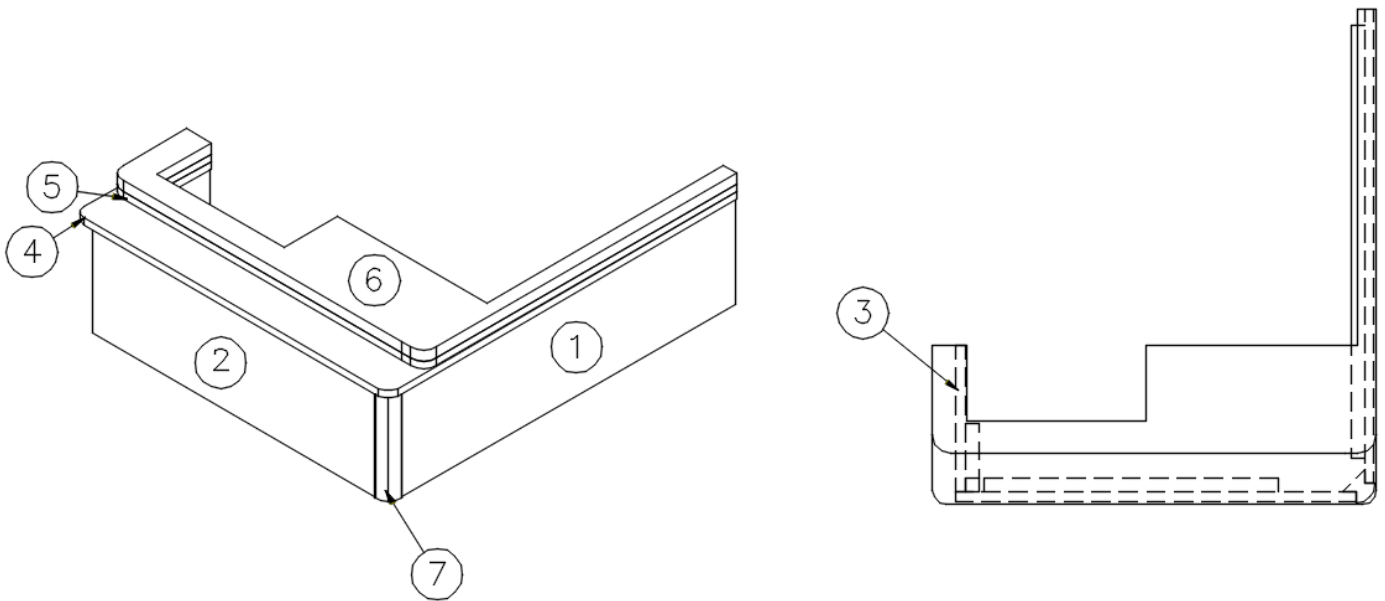
602782	Waste tank, GT
602517	Waste tank, 12 gallon, GL
602257	Gray tank, GL
602382	Gray tank, GT
454688	Bracket, Grey tank
454689	Bracket, Front, Grey tank
454690	Bracket, Middle, Grey tank
454691	Bracket, Rear, Grey tank
454687	Rod, Grey tank
365185-20	2"" Gasket Tape (Sold In 100 Ft Rolls)
203634	Styrofoam, 1" x 48" x 96"
511812	Heating pad, Holding tank
512411	Waste valve, Electric
968170-0039	Cover Assy - Blk Tank GT Tommy

### Waste Tank Flush

602940	Blank Tank Flush, No Fuss Flush System
601441-101	Black cap w/strap

## PLUMBING, DRAIN SYSTEM

### Waste Tank Cover



968272

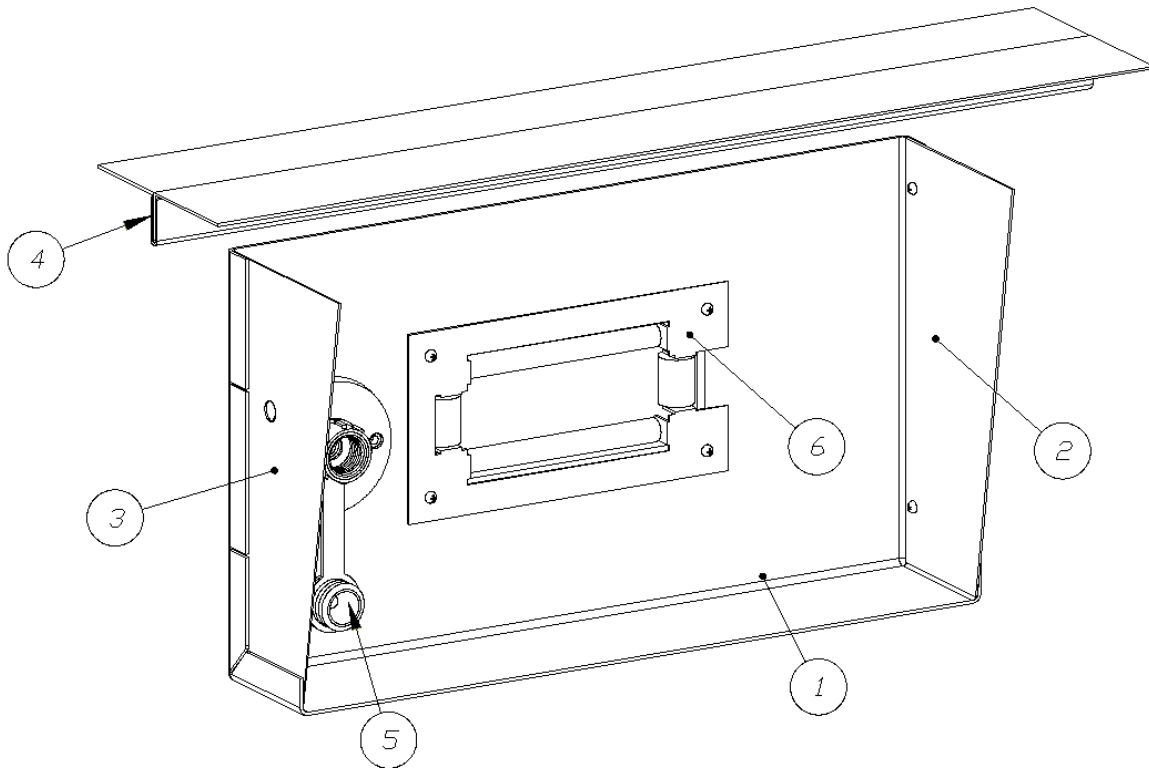
Waste Tank Cover

1. 968272&000112BB
2. 968272&000212BB
3. 968272&000312BB
4. 968272&000412BB
5. 968272&000512BB
6. 968272&000618BB
7. 801415-0039

- Pre Laminate- 0.50 X 25.75 X 7  
Pre Laminate- 0.50 X 21.82 X 7  
Pre Laminate- 0.50 X 7.50 X 13  
Pre Laminate- 0.50 X 26.88 X 2  
Pre Laminate- 0.50 X 24.13 X 2  
Pre Laminate- 0.75 X 24.13 X 2  
Corner Trim Rad X 13.32, Macchiato

## PLUMBING, DRAIN SYSTEM

### Macerator Pump System



111814

Macerator Pump Closeout (not for order/see parts below)

- |              |   |
|--------------|---|
| 1. 203666    | Closeout, Macerator compartment             |
| 2. 454724-01 | Side closeout, Macerator compartment        |
| 3. 454724-02 | Side closeout, Macerator compartment        |
| 4. 203225-01 | Trim lok, Gray, .75"                        |
| 5. 602940    | Blank Tank Flush, No Fuss Flush System      |
| 6. 512934-02 | Roller guide                                |
| 512909-05    | LED pin light, Warm White                   |
| 512909-03    | Bezel-Nickel #69515BZ-NI                    |
| 513314       | Black/Gray tank waste water hose reel       |
| 455039       | Hose reel mounting bracket                  |
| 602176       | Macerator pump                              |
| 602205-10    | Valve, Drip proof w/2 adaptor for reel hose |
| 204056       | Macerator Reel Cover, Modified              |
| 204055       | Macerator Reel Cover                        |
| 204057       | Macerator Reel Cover, Cap                   |



## PLUMBING, DRAIN SYSTEM

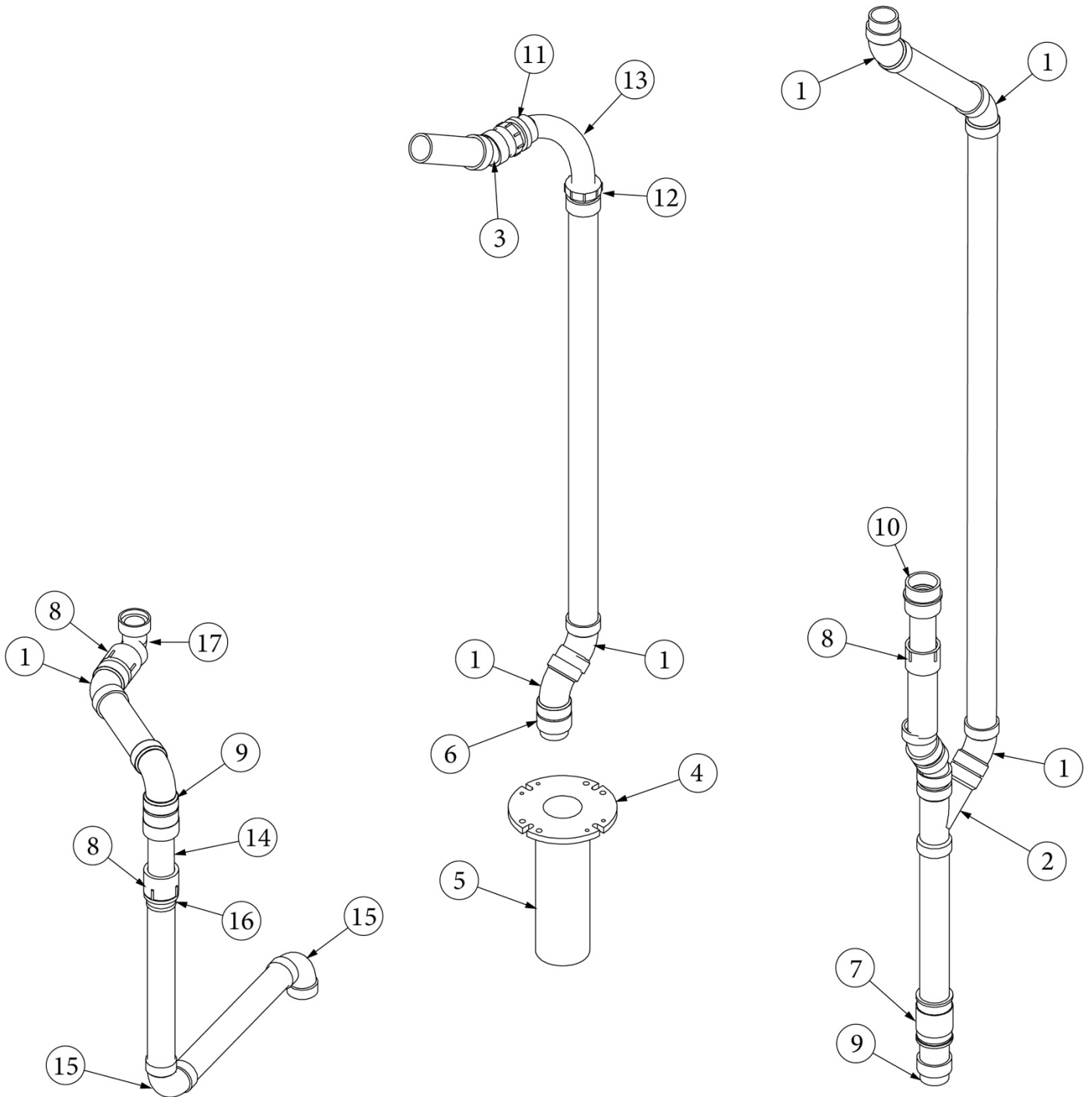
### Drain System, Below Floor, GL

944066	Install, Below Floor Drain (not for order/see parts below)
944066-01	Drain, from Tanks to Pumps
944066-02	Drain, Below Floor from Galley
944066-03	Drain, Below Floor from Shower
1. 601160-04	Pipe, ABS, 3"
2. 601267-04	Nipple, 3" diameter, Threaded one end, 10" long
3. 601160-02	Pipe, ABS, 1.5"
4. 195329-229	Reducer Adaptor 3" To 1.5" 407
5. 340092	Clamp, T-bolt, 3-5/8" x 3-15/16"
6. 454692	Bracket, Below floor
7. 512411	Waste valve, Electric
8. 513374	Dump Valve-1.5" Electric#24140
9. 600187	3" Wye, Comb and 1/8 bend
10. 600289	Coupling, Calder, Rubber, 3"
11. 601636	Elbow 1-1/2" 90 degree
12. 602176	Pump, Macerator Flojet
13. 602181	Elbow, 3" flexible
14. 602200	Coupling, Flexible, 1.25"
15. 602205-02	Mounting bracket, Macerator
16. 602205-04	Adaptor for 3" connection hose
17. 602205-05	Flexible connection hose, w/2 clamps, 3" x 3' long
18. 340073-13	Clamp, Muffler, 4"
19. 601161-01	Pipe, ABS, 1.25"
20. 602236	Elbow, 90-degree, Large turn, 1.25"
21. 602194	Adapter, PVC, 1.25"
22. 602212	Adapter, Slip, PVC, 1.5" FPT x 1.5" Slip
23. 602215	Bushing, PVC, 1.5" x 1.25"
24. 690753-01	Trap, Low profile, Utopia Uniguard
25. 690753-02	Elbow, Utopia Unuguard
26. 602214	Adapter, PVC, 1.5" MPT x 1.5" Slip
602205-10	Valve, drip proof, w/two adapters for reel hose



# PLUMBING, DRAIN SYSTEM

## Drain System, Above Floor, GL



Parts Listed on Next Page

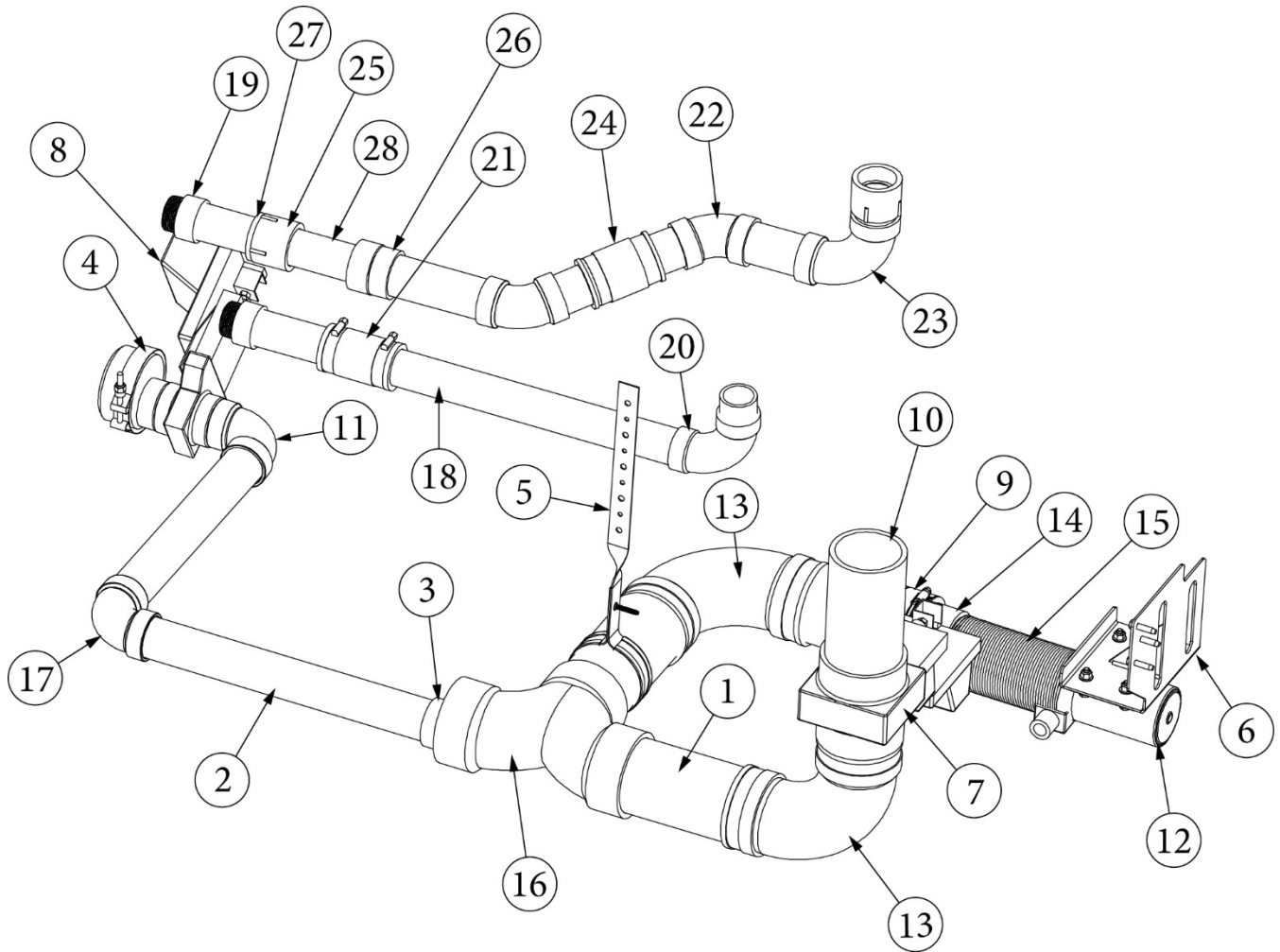
## PLUMBING, DRAIN SYSTEM

### Drain System, Above Floor, GL

943710	Above Floor Drain System
1. 600030	Elbow, ABS, 45°, Long turn
2. 600094	Wye, 1.5"
3. 600116	Elbow, 22-1/2 Degree, Corlon
4. 601266	Toilet flange
5. 601267-04	Nipple, Threaded one end, 3" x 10" long
6. 601676	Adapter, Threaded, 1.5" male
7. 602201	Flexible coupling, 1.5"
8. 602212	Adapter, 1.5" FPT x 1.5" Slip PVC
9. 602214	Adapter, 1.5" MPT x 1.5", Slip PVC
10. 602287-01	Adapter, Swivel 1.5" x 1.5"
602287-02	Rubber washer
11. 602522	Trap adapter, 1.5", spigot x slip
12. 602523	Trap adapter, 1.5", hub x slip
13. 602524-29	Flexible hose, Flexaust
14. 690753-01	Trap, Utopia Uniguard, Low Profile
15. 602236	90 degree, Large turn, ABS, 1.25"
16. 602215	Bushing, 1.5" x 1.25"
17. 690753-02	Elbow, Utopia Uniguard
340084-28	Clamp, Hose, 2.25"
601161-01	Pipe, ABS DVW, 1.25"
601160-02	Pipe, ABS DVW, 1.5"

# PLUMBING, DRAIN SYSTEM

## Drain System, Below Floor, GT



Parts Listed on Next Page

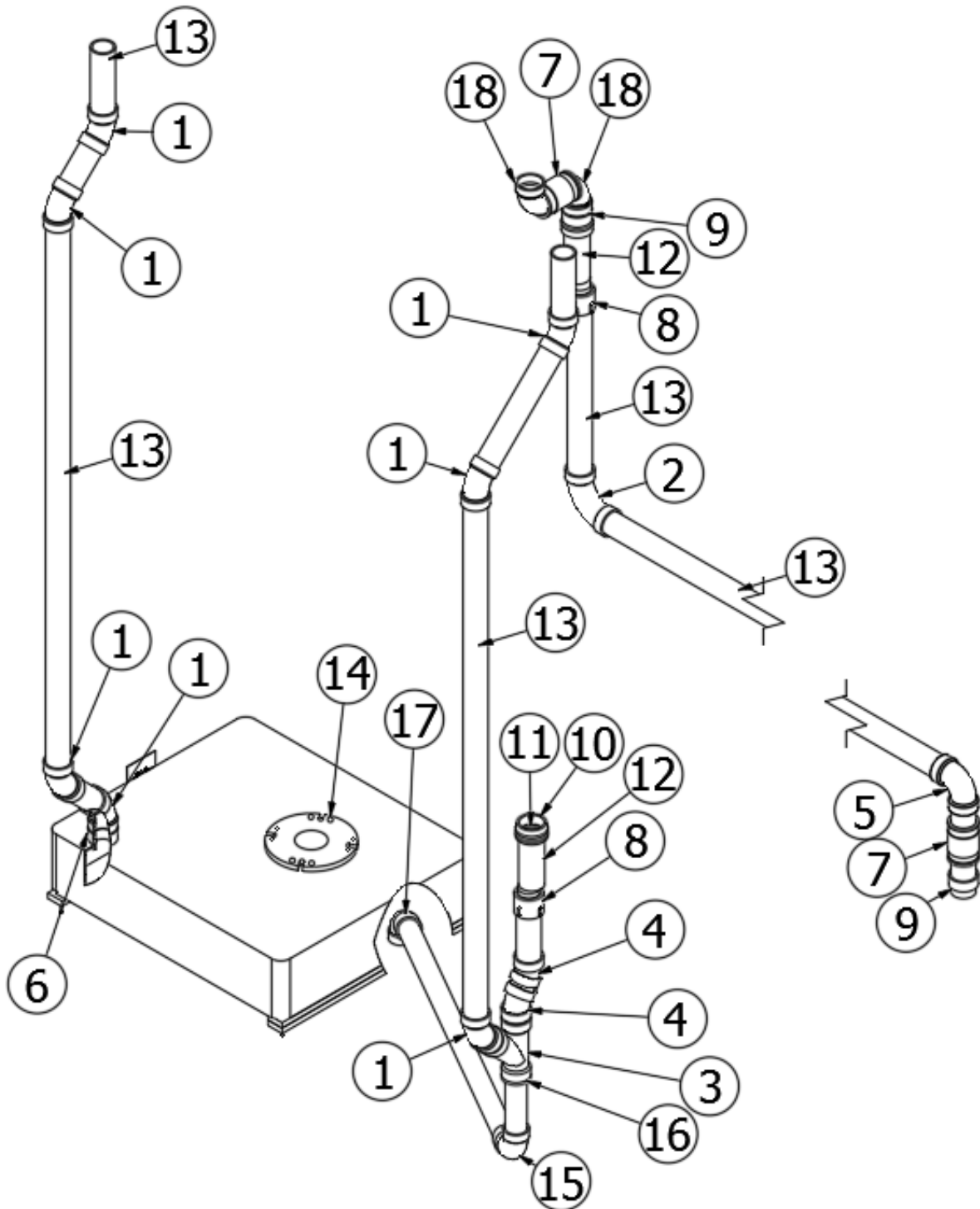
## PLUMBING, DRAIN SYSTEM

### Drain System, Below Floor, GT

944067	Below Floor Drain System
944067-01	Drain, Tanks to Pump
944067-02	Drain, Below Floor from Lavy
944067-03	Drain, Below Floor from Shower
1. 601160-04	Pipe, ABS, 3"
2. 601160-02	Pipe, ABS, 1.5"
3. 195329-229	Reducer Adaptor 3" To 1.5" 407
4. 340092	Clamp, T-bolt, 3-5/8" x 3-15/16"
5. 340322	Strap, Hanger, 3"
6. 455830	Bracket, Macerator Pump
7. 512411	Waste valve, Electric
8. 513374	Dump Valve-1.5" Electric#24140
9. 600289	Coupling, Calder, Rubber, 3"
10. 601267-04	Nipple, Threaded one end, 3" x 10" long
11. 601636	Elbow, 90°, 1.5"
12. 602176	Macerator pump
13. 602181	Elbow, 3" flexible
14. 602205-04	Adaptor for 3" connection hose
15. 602205-05	Flexible connection hose, w/2 clamps, 3" x 3' long
16. 602416	Elbow, Double, 3 x 3 x 4"
17. 602485	Elbow, Flexible, 1.5"
18. 601161-01	Pipe, ABS, 1.25"
19. 602194	Adapter, PVC, 1.25"
20. 602236	90 Deg Lg. Turn ABS 1.25" HXH
21. 602200	Coupling, Flexible, 1.25"
22. 600030	Elbow, ABS, 45°, Long turn
23. 600035	ELL- ABS Long Sweep 1-1/2
24. 602201	Flexible coupling, 1.5"
25. 602212	Adapter, 1.5" FPT x 1.5" Slip PVC
26. 602214	Adapter, 1.5" MPT x 1.5", Slip PVC
27. 602215	Bushing- 1.5" X 1.25" PVC
28. 690753-01	Trap-Utopia Uniguard Low Profile
340322-01	Strap, Hanger, 1.5"

# PLUMBING, DRAIN SYSTEM

## Drain System, Above Floor, GT



Parts Listed on Next Page

## PLUMBING, DRAIN SYSTEM

### Drain System, Above Floor, GT

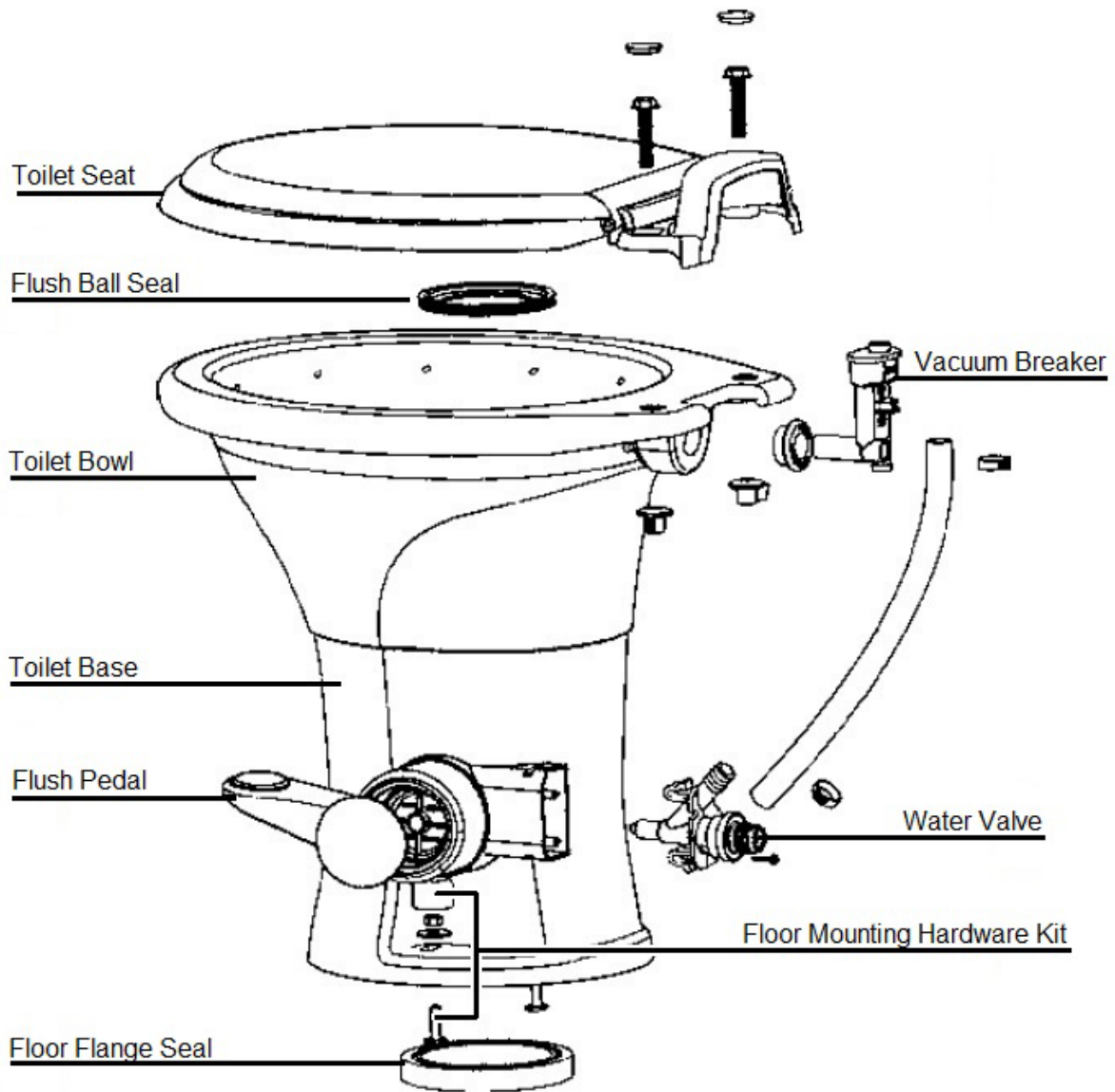
943780	Above Floor Drain System
1. 600030	Elbow, ABS, 45°, Long turn
2. 600035	Elbow, Long sweep, 1.5"
3. 600094	Wye, 45 Degree 1-1/2IN
4. 600116	Elbow, .5"
5. 601636	Elbow, 90°, 1.5"
6. 601676	Adapter, Threaded, 1.5" male
7. 602201	Flexible coupling, 1.5"
8. 602212	Adapter, 1.5" FPT x 1.5" Slip PVC
9. 602214	Adapter, 1.5" MPT x 1.5", Slip PVC
10. 602287-01	Adapter, Swivel 1.5" x 1.5"
11. 602287-02	Rubber washer
12. 690753-01	Trap-Utopia Uniguard Low Profile
13. 601160-02	Pipe, ABS DVW, 1.5"
14. 601266	Toilet flange
15. 602236	90 Deg Lg. Turn ABS 1.25" HXH
16. 602215	Bushing- 1.5" X 1.25" PVC
17. 602196	Elbow-Slipxslip 1.25"Pvc 90#05875
18. 602419	Elbow-90deg Short 1-1/2 Socket Female X Male

# PLUMBING, DRAIN SYSTEM

## Toilet

690707

Toilet, Dometic 301, Short height, White



## SEALERS AND GASKETS

### Sealers

360258	Sealant, Acrylic latex caulk, White
360180	Adhesive Seal, Sikaflex 221
365330-01	Sealant, RTV Silicone, White
365330-02	Sealant, RTV silicone, Grey
365330-03	Sealant, RTV silicone, Aluminum Grey
365330-04	Sealant, RTV silicon, Black
28430W-01	Sealant, Acryl-R seam sealant, Aluminum
360255-04	Sealer, Anti-wick
28433W	Walbernize RV Super Seal

### Gaskets

365185-20	Gasket tape, 2", Waste tank
382337	Gasket, Corlon vent cap
381665	Gasket, D-Seal, Black, .50W X 36H
365448	Gasket, Furnace vent
382467	Gasket kit, Rooftop
382467-01	Gasket, Exhaust fan
382467-02	Gasket, Tank vent
382467-03	Gasket, Radio antenna
382467-04	Gasket, Double solar
382467-05	Gasket, Dual cable entry
382467-06	Gasket, Bath fan
382467-07	Gasket, TV antenna
382467-08	Gasket, Single solar
365420-01	Water Heater Vent Gasket
203981	Gasket-Water Heater Spacer
382801-01	Hatch Gasket 7.75 X 12.75
382809-01	Gasket, Shower Outlet
382801-02	Hatch Gasket 7.64 X 6.54
383004	Water Panel Gasket

### Undercoating

360389	Undercoating, 17 Oz. Aerosol can
--------	----------------------------------



## BEDDING, PILLOWS

### Bedspread and Sheets

704554-01	Comforter set, 4 piece (comforter, bed skirt, 2 shams)
704554-04	Throw pillow, Relax print, 20 x 20
704554-06	Embroidered pillow, Green, Pineapple resort, 20 x 20
704944	Sheet set, Queen

### Pillows

704372	Pillow kit, Tommy Bahama
704372-01	Pillow, Kiwi
704372-02	Pillow, Aran Isle
704372-03	Pillow, Villa Fronds
704372-04	Pillow, Lumbar

### Cockpit Bed

704598-01	Cab bed kit, No blanket
704598-100	Bag only
704598-101	Leg support only
704922	Blanket, Cockpit bed

## UPHOLSTERY

### Captain's Chairs, Cabin

704629DT-D	Seat Recover, Driver, Desert Sand
704629DT-P	Seat Recover, Passenger, Desert Sand
704607DT	Cover, Pedestal, Driver, Desert Sand
704616DT	Cover, Pedestal, Passenger, Desert Sand

Cab captain's chairs come with the chassis. Airstream sends the chairs out to be recovered to match the motorhome color scheme.

### Captain's Chairs, 2<sup>nd</sup> Row

704714DT	Chair, Middle, CS, w/ISS, Self-Level Arms, Desert Tan
704725DT	Chair, Middle, RS, w/ISS, Self-Level Arms, Desert Tan

### Sofa, Power

704712DT	Sofa, Rear, Power, Desert Tan
----------	-------------------------------

### Ottomans

704713DT	Ottomans, CS/RS, Desert Tan
----------	-----------------------------

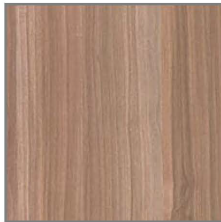
# DÉCOR BOARDS

## Décor Board, Tommy Bahama

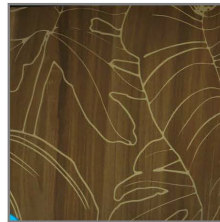


**Wood: 39 Macchiato / Seating Color: Desert Tan**  
*Tommy Bahama*  
**INTERSTATE**

### MATERIALS & LAMINATES



**ITEM: Macchiato Laminate**  
**PART NUMBER: 802171-01 – 4'x8'**  
**VENDOR: Nevamar**  
**VENDOR P/N: WF0011SM-VG**  
**WHERE USED: All interior furniture and overhead locker doors**



**ITEM: Macchiato Leaf**  
**PART NUMBER: 802172-01 – 4'x8'**  
**VENDOR: Nevamar**  
**VENDOR P/N: J2911035F480**  
**WHERE USED: Accent Panels**  
**NOTE: EX. Behind TV**



**ITEM: Impala Suede**  
**PART NUMBER: 704088-02**  
**VENDOR: Deitch Plastics**  
**VENDOR P/N: Impala #25**  
**WHERE USED: Fabric Wrapped wall panels and Ceiling pads**  
**NOTE: Use laminated materials**



**ITEM: Desert Tan**  
**PART NUMBER: 704350**  
**VENDOR: UltraFabric / Premier**  
**VENDOR P/N: 535-3400**  
**WHERE USED: All Seating**



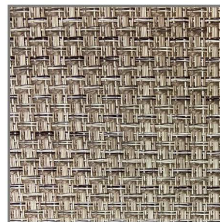
**ITEM: Teak Woven Floor**  
**PART NUMBER: 704351**  
**VENDOR: Infinity**  
**VENDOR P/N: 1525CC – Color #13**  
**WHERE USED: Thru-out Unit**



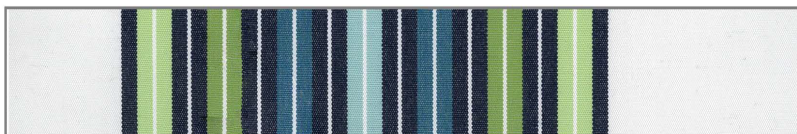
**ITEM: Blinds / Shades**  
**PART NUMBER: 704736, 704879**  
**VENDOR: Poseidon**  
**VENDOR P/N: See Drawings**  
**WHERE USED: Window Coverings**



**ITEM: 1 (Venaro White) 2 (Sandstorm)**  
**PART NUMBER: Varies**  
**VENDOR: Tims Customs / Genesis**  
**VENDOR P/N:**  
**WHERE USED: Counter tops**  
**NOTE: 1 (Interstate) 2 (Atlas)**



**ITEM: Compass Solar Tan**  
**PART NUMBER: 704748**  
**VENDOR: Spradling**  
**VENDOR P/N: 60661**  
**WHERE USED: Murphy Bed Wall**  
**NOTE: No Backing**



**ITEM: Awning**  
**PART NUMBER: 704499-05**  
**VENDOR: Carefree**  
**VENDOR P/N: JK1778DJLDM**  
**WHERE USED: All Tommy Units**  
**NOTE: Iridium Silver Paint Code**

## VENTS AND FANS

### Waste Tank Vent

690700-02      Tank vent cap, Black  
382337      Gasket, Vent cap

### Furnace Vent

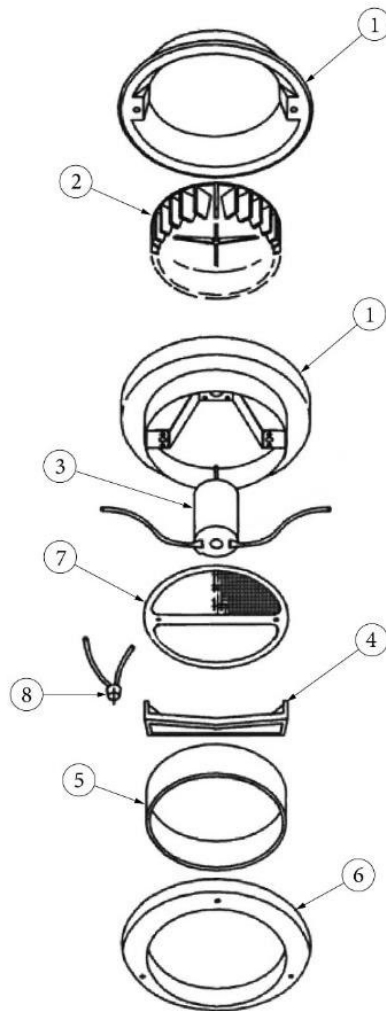
690620-05      Extension kit, 7.25"  
455627      Spacer, Furnace vent  
365448      Gasket, Furnace vent

### Refrigerator Vent

382297      Vent, 4 x 8, Black plastic

## VENTS AND FANS

### Exhaust Fan, Bath



690266-01      Power ventilator, 12V, white

- |   |   |
|---|---|
| <ul style="list-style-type: none"> <li>1. 682182-01</li> <li>2. 682181-01</li> <li>3. 682179</li> <li>4. 682180</li> <li>5. 690754-01</li> <li>6. 690266-05</li> <li>7. 682183-03</li> <li>8. 682185</li> </ul> | <ul style="list-style-type: none"> <li>Dome assembly, Roof, Clear</li> <li>Blade, Fan</li> <li>Motor, Fan</li> <li>Handle</li> <li>Shower vent ring, 4.25"</li> <li>Garnish, Ceiling vent, 4"</li> <li>Screen for ventilator</li> <li>Switch, w/nut, ventilator fan, Red</li> </ul> |
|---|---|
- 690266-07      Trim ring, Bath exhaust, White  
 690266-08      Trim ring, Bath exhaust, Silver  
 203639          Ceiling spacer, Bath vent  
 690754          Shower Vent Ring Extension

## VENTS AND FANS

### Ceiling Vent Fan

514379	Fan, Roof Vent, Airxcel, 4900N
514379-100	Control Board For 514379
382730-01	Black Trim Ring
382467	Gasket, Exhaust Fan
690699-02	Temperature Sensor
116104	Vent Frame Assembly

## PANELING, EDGEBANDING, LAUAN

### Paneling

802171-01	Laminate, Macchiato
802172-01	Laminate, Macchiato w/leaf pattern
802178	Panel, Pre-laminated, 12m, Macchiato/Liner
802182	Paneling, Pre-laminated, 12mm, Macchiato/Macchiato
802222	Paneling, Pre-laminated, 18mm, Macchiato/Macchiato
802233	Panel, 4' x 8', Azdel Composite

### Edgebanding

365412-01	Edgebanding, .63", Macchiato
365412-02	Edgebanding, .94", Macchiato

### Lauan

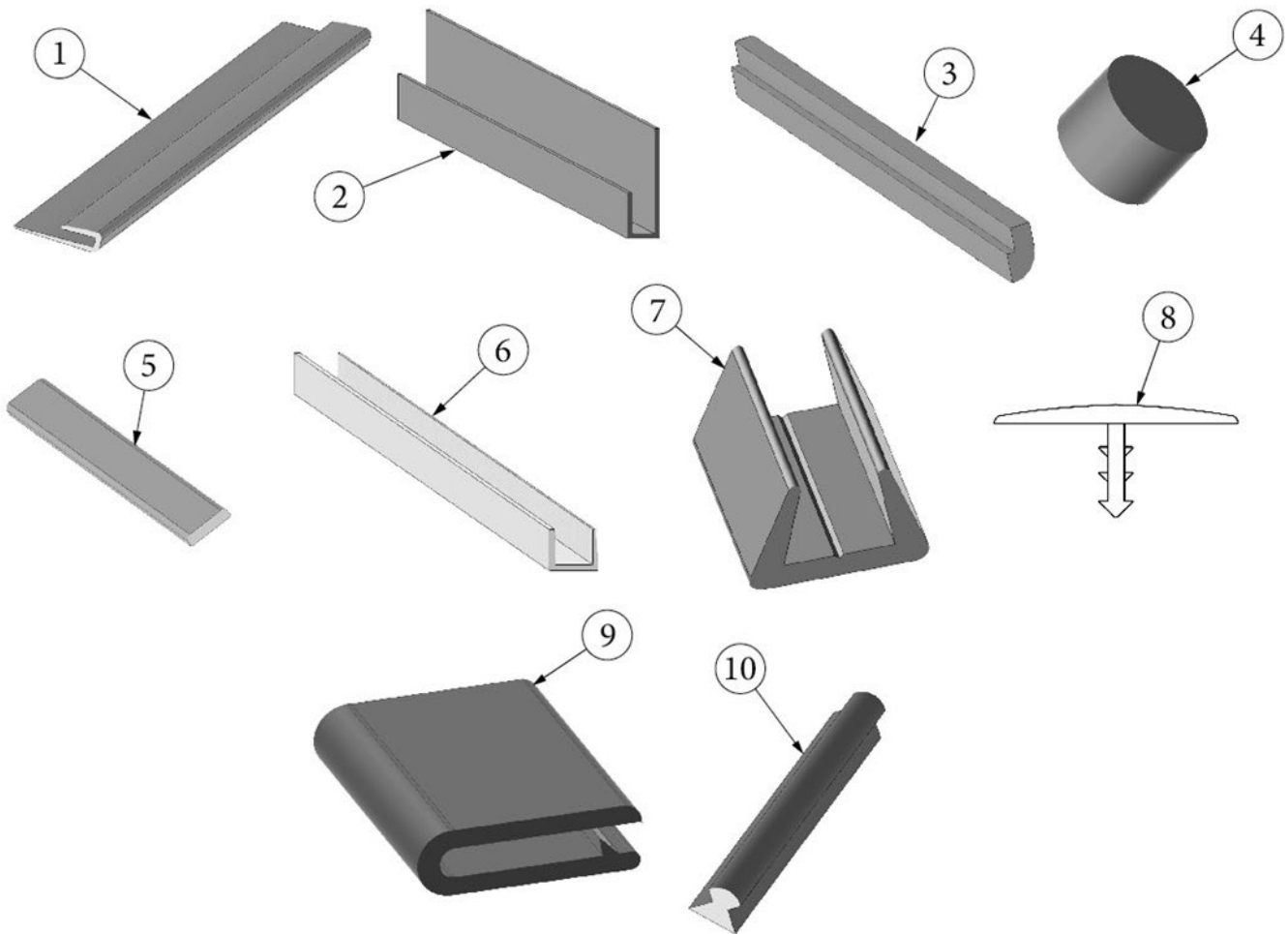
800507-01	Lauan, 1/8 x 4' x 8'
800507-02	Lauan, 1/4 x 4' x 8'
800507-03	Lauan, 3/8 x 4' x 8'

### Plywood

800506-04	Plywood, .5 x 4' x 8'
801262-08	Plywood, Baltic Birch, 5" x 96"

## TRIMS AND TOUCH-UP

### Trim



- |                 |  |
|-----------------|--|
| 1. 114070       | J-trim, Extrusion, Mill finish         |
| 2. 201666-01    | J-molding, 3/16", White                |
| 3. 801706-0039  | Corner trim, 90°, 1" radius, Macchiato |
| 4. 801818-0039  | Wood plug, 3/8", Tapered, Macchiato    |
| 5. 800573-0139  | Flat molding, Macchiato                |
| 6. 116200       | Extrusion, U-Channel, 9/16"            |
| 7. 203138-04    | Extrusion, Plastic, Oak, 1/2"          |
| 8. 203942-03    | T-Molding, Black, 13/16"               |
| 203445-03       | T-molding, Tan, 9/16"                  |
| 9. 203225-01    | Trim lock, .75", Gray                  |
| 203225-02       | Trim Lock, .75", Black                 |
| 10. 801415-0039 | Corner trim, 45°, 1" radius, Macchiato |
| 800638-0139     | Molding, Quarter round, .5", Macchiato |



## TRIMS AND TOUCH-UP

### Fill Sticks, Stain Markers, and Seamfil

360406-04	Fil Stick, Earth Tone
360406-10	Fil Stick, Caramel
360301-13	Seamfil, Macchiato
360301-02	Seamfil, White
360301-04	Seamfil, Black
360301-18	Seamfil, Grey