

# **AIRSTREAM<sup>®</sup>**

## **2025 Atlas**

## **Tommy Bahama**

## **Parts Book**



# TABLE OF CONTENTS

|  |           |
|--|-----------|
| <b>APPLIANCES .....</b>  | <b>1</b>  |
| AIR CONDITIONER .....  | 1         |
| FURNACE.....   | 1         |
| WATER HEATER.....  | 1         |
| HYDRONIC FURNACE AND HOT WATER SYSTEM, E1 PACKAGE OPTION ..... | 2         |
| BURNER, HYDRONIC SYSTEM, E1 PACKAGE OPTION .....               | 3         |
| GENERATOR.....   | 4         |
| MICROWAVE AND COOKTOP .....                                    | 5         |
| REFRIGERATOR AND FREEZER .....                                 | 5         |
| <b>EXTERIOR SHELL .....</b>                                    | <b>6</b>  |
| WALL, ROADSIDE.....  | 6         |
| WALL, CURBSIDE .....   | 8         |
| REAR CAP.....  | 10        |
| HITCH AND HITCH COVER .....                                    | 10        |
| REAR BUMPER.....   | 10        |
| SLIDE-OUT ROOM.....  | 11        |
| TRANSITION PANELS .....  | 12        |
| CHROME BELTLINE .....  | 12        |
| SUPPORTS .....   | 13        |
| DECALS AND NAMEPLATES.....                                     | 13        |
| REFLECTORS.....  | 13        |
| <b>INTERIOR SHELL .....</b>                                    | <b>14</b> |
| SLIDE-OUT SIDEWALL EXTRUSIONS .....                            | 14        |
| CEILING PANELS.....  | 15        |
| DASH TRIM KIT.....   | 16        |
| WINDOW BOXES .....   | 16        |
| WINDOW VALANCE SLIDE-OUT .....                                 | 17        |
| <b>CHASSIS .....</b>   | <b>18</b> |
| AIR RIDE SYSTEM .....  | 18        |
| ALUMINUM WHEELS .....  | 18        |
| FENDER WELL .....  | 18        |
| MUD FLAPS .....  | 18        |
| LEVELING JACKS.....  | 18        |
| DRIVER AND PASSENGER STEPS.....                                | 19        |
| STEP.....  | 19        |
| EXHAUST SYSTEM.....  | 19        |
| SKID BAR ASSEMBLY.....   | 19        |
| EXTERIOR COMPARTMENT, RS REAR .....                            | 20        |
| EXTERIOR COMPARTMENT, RS WET BAY.....                          | 21        |
| EXTERIOR COMPARTMENT, RS WET BAY, E1 PACKAGE OPTION .....      | 22        |
| EXTERIOR COMPARTMENT, CS FORWARD.....                          | 23        |
| EXTERIOR COMPARTMENT, CS REAR .....                            | 24        |
| EXTERIOR COMPARTMENT, CS REAR, E1 PACKAGE OPTION .....         | 25        |
| BATTERY INSTALL, STEP SUPPORT FRAME .....                      | 26        |
| BATTERY INSTALL, CRADLE, E1 PACKAGE OPTION .....               | 27        |
| STEP SUPPORT FRAME, E1 PACKAGE OPTION.....                     | 28        |

|  |           |
|--|-----------|
| <b>EXTERIOR DOORS .....</b>                    | <b>29</b> |
| EXTERIOR COMPARTMENT DOORS .....               | 29        |
| ENTRY DOOR .....                               | 29        |
| SCREEN DOOR .....                              | 30        |
| <b>WINDOWS .....</b>                           | <b>31</b> |
| WINDOWS .....                                  | 31        |
| <b>AWNINGS .....</b>                           | <b>32</b> |
| AWNING .....                                   | 32        |
| <b>WINDOW COVERINGS .....</b>                  | <b>33</b> |
| SHADES .....                                   | 33        |
| COCKPIT WINDOW SHADES .....                    | 33        |
| <b>ELECTRICAL, 110 VOLT .....</b>              | <b>34</b> |
| DISTRIBUTION CENTER .....                      | 34        |
| ENERGY MANAGEMENT SYSTEM .....                 | 34        |
| SHORELINE HOOKUP .....                         | 34        |
| INVERTER/CONVERTER .....                       | 34        |
| RECEPTACLES AND USB PORTS .....                | 34        |
| BREAKERS, 110V .....                           | 34        |
| <b>ELECTRICAL, 12 VOLT .....</b>               | <b>35</b> |
| BATTERY .....                                  | 35        |
| BATTERY, E1 PACKAGE OPTION .....               | 35        |
| CHASSIS & HOUSE CHARGING .....                 | 35        |
| ALTERNATOR, BALMAR .....                       | 36        |
| ALTERNATOR, SECONDARY, E1 PACKAGE OPTION ..... | 36        |
| VOLTA COMPONENTS, E1 PACKAGE OPTION .....      | 36        |
| FIREFLY SYSTEM .....                           | 37        |
| SOLAR SYSTEM .....                             | 37        |
| SOLAR SYSTEM, E1 PACKAGE OPTION .....          | 37        |
| BREAKERS & FUSES, 12V .....                    | 38        |
| CABLE KITS .....                               | 38        |
| TANK MONITOR SYSTEM .....                      | 38        |
| REARVIEW MONITOR CAMERA .....                  | 38        |
| BUZZER .....                                   | 39        |
| SWITCH PANELS .....                            | 39        |
| SWITCHES .....                                 | 39        |
| INTERIOR LIGHTS .....                          | 40        |
| EXTERIOR LIGHTS .....                          | 40        |
| TAILLIGHT ASSEMBLY .....                       | 41        |
| <b>ENTERTAINMENT .....</b>                     | <b>42</b> |
| AUDIO .....                                    | 42        |
| VIDEO .....                                    | 42        |
| TV AND ENTERTAINMENT CABINET .....             | 43        |
| CONNECTED KIT, AFTERMARKET .....               | 43        |
| STARLINK SATELLITE .....                       | 43        |

|   |           |
|---|-----------|
| <b>FLOOR COVERINGS.....</b>                         | <b>44</b> |
| FLOOR COVERING .....                                | 44        |
| <b>FURNITURE, INTERIOR DOORS AND MIRRORS .....</b>  | <b>45</b> |
| INTERIOR DOORS .....                                | 45        |
| ROOF LOCKER DOORS.....                              | 45        |
| MIRRORS .....                                       | 45        |
| <b>FURNITURE, LOUNGE .....</b>                      | <b>46</b> |
| MURPHY BED.....                                     | 46        |
| FACIA, HARDWOOD, SLIDE-OUT/MURPHY BED .....         | 47        |
| MURPHY BED FRAME AND WALL .....                     | 48        |
| FORWARD RS AND CS WALL.....                         | 49        |
| ENTERTAINMENT CENTER TOP.....                       | 51        |
| ENTERTAINMENT CENTER .....                          | 52        |
| ENTERTAINMENT CENTER, E1 PACKAGE OPTION.....        | 54        |
| LIQUOR CABINET ASSEMBLY.....                        | 56        |
| ROTATING BOTTLE RACK, LIQUOR CABINET ASSEMBLY ..... | 58        |
| CORNER ELECTRONICS CABINET .....                    | 59        |
| CORNER ELECTRONICS CABINET, E1 PACKAGE OPTION.....  | 61        |
| ROOF LOCKER, CS.....                                | 63        |
| SHELF, STARLINK ROUTER.....                         | 65        |
| ROOF LOCKER, FRONT OVERHEAD.....                    | 66        |
| CUBBY, FRONT OVERHEAD .....                         | 67        |
| PEDESTAL TABLE.....                                 | 68        |
| <b>FURNITURE, GALLEY .....</b>                      | <b>69</b> |
| GALLEY INSTALL.....                                 | 69        |
| GALLEY INSTALL, E1 PACKAGE OPTION .....             | 70        |
| GALLEY CABINET .....                                | 71        |
| STAND, HYDRONIC HEATER, E1 PACKAGE OPTION .....     | 73        |
| GALLEY WORKSTATION .....                            | 74        |
| VENT PIPE COVER .....                               | 75        |
| REFRIGERATOR CABINET.....                           | 76        |
| PANTRY/WARDROBE.....                                | 77        |
| PANTRY VENT COVER, E1 PACKAGE OPTION.....           | 79        |
| ROOF LOCKER, RS.....                                | 80        |
| <b>FURNITURE, LAVATORY .....</b>                    | <b>81</b> |
| SHOWER MODULE .....                                 | 81        |
| SLIDING DOOR AND WALL .....                         | 82        |
| LAVATORY TOP.....                                   | 83        |
| LAVATORY CABINET .....                              | 84        |
| MEDICINE CABINET .....                              | 86        |
| WARDROBE, CS AFT.....                               | 87        |
| WARDROBE, CS AFT, E1 PACKAGE OPTION .....           | 89        |
| WARDROBE, CS WITH DRAWERS .....                     | 91        |
| ROOF LOCKER, RS BATHROOM.....                       | 93        |
| <b>HARDWARE.....</b>                                | <b>94</b> |
| SEAT BELTS AND BRACKETS.....                        | 94        |
| HINGES.....   | 94        |

|                                       |     |
|---------------------------------------|-----|
| BATHROOM ACCESSORIES.....             | 94  |
| HANDLES, LATCHES, AND FASTENERS ..... | 95  |
| ELECTRONIC ROTARY LATCH.....          | 97  |
| GAS STRUTS AND DOOR PROPS .....       | 97  |
| MURPHY BED LOCK HINGE .....           | 98  |
| LATCH AND MANUAL OVERRIDE .....       | 99  |
| LPG LATCH AND MANUAL OVERRIDE .....   | 100 |
| GENERATOR LATCH AND LOCK.....         | 101 |
| RIVETS.....                           | 102 |
| SCREWS .....                          | 103 |

**SAFETY EQUIPMENT ..... 104**

|                                       |     |
|---------------------------------------|-----|
| DETECTORS AND FIRE EXTINGUISHER ..... | 104 |
|---------------------------------------|-----|

**LABELS AND TAGS ..... 105**

|                       |     |
|-----------------------|-----|
| LABELS AND TAGS ..... | 105 |
|-----------------------|-----|

**PLUMBING, LPG SYSTEM ..... 106**

|                       |     |
|-----------------------|-----|
| LPG TANK INSTALL..... | 106 |
| LP REMOTE FILL .....  | 106 |
| LPG SYSTEM.....       | 107 |

**PLUMBING, FRESH WATER SYSTEM ..... 109**

|  |     |
|--|-----|
| FRESH WATER TANK.....                      | 109 |
| EXTERIOR SHOWER.....                       | 109 |
| CITY WATER HOOK-UPS.....                   | 109 |
| WATER PUMP .....                           | 109 |
| FAUCET AND SINK, GALLEY .....              | 110 |
| FAUCET AND SINK, LAVATORY .....            | 110 |
| SHOWER ACCESSORIES.....                    | 110 |
| FRESH WATER LINES.....                     | 111 |
| FRESH WATER LINES, E1 PACKAGE OPTION ..... | 112 |
| WINTERIZATION KIT .....                    | 113 |
| SANITIZATION KIT.....                      | 114 |
| FRESH WATER FITTINGS .....                 | 115 |

**PLUMBING, DRAIN SYSTEM ..... 117**

|                                 |     |
|---------------------------------|-----|
| BLACK TANK .....                | 117 |
| GREY TANK.....                  | 117 |
| BLACK TANK FLUSH .....          | 117 |
| MACERATOR PUMP SYSTEM .....     | 118 |
| DRAIN SYSTEM, BELOW FLOOR.....  | 119 |
| DRAIN SYSTEM, ABOVE FLOOR ..... | 120 |
| TOILET .....                    | 122 |

**SEALERS AND GASKETS..... 123**

|                    |     |
|--------------------|-----|
| SEALERS .....      | 123 |
| GASKETS .....      | 123 |
| UNDERCOATING ..... | 123 |

**BEDDING, PILLOWS ..... 124**

|                              |     |
|------------------------------|-----|
| MATTRESS AND SHEETS.....     | 124 |
| BEDDING AND PILLOW KITS..... | 124 |
| COCKPIT BED .....            | 124 |

**UPHOLSTERY ..... 125**

|                  |     |
|------------------|-----|
| CABIN SEATS..... | 125 |
| SOFA .....       | 125 |

**DÉCOR BOARDS ..... 126**

|                                |     |
|--------------------------------|-----|
| DÉCOR BOARD, TOMMY BAHAMA..... | 126 |
|--------------------------------|-----|

**VENTS, FANS, SKYLIGHT ..... 127**

|                               |     |
|-------------------------------|-----|
| BLACK TANK VENT .....         | 127 |
| SKYLIGHT.....                 | 127 |
| COOLING FAN, ELECTRICAL ..... | 127 |
| CEILING VENT FAN .....        | 128 |

**PANELING, EDGEBANDING, LAUAN..... 129**

|                   |     |
|-------------------|-----|
| PANELING.....     | 129 |
| EDGEBANDING ..... | 129 |
| LAUAN.....        | 129 |
| PLYWOOD .....     | 129 |

**TRIMS AND TOUCH-UP ..... 130**

|  |     |
|--|-----|
| TRIM .....                                   | 130 |
| FILL STICKS, STAIN MARKERS, AND SEAMFIL..... | 131 |

## APPLIANCES

### Air Conditioner

|            |   |
|------------|---|
| 690699     | Air Conditioner, Mach 8, 15K BTU w/heat pump, Artic White |
| 690699-02  | Room temperature sensor                                   |
| 690699-03  | Heat ready HP control kit                                 |
| 690699-05  | Mounting kit, Mach 8                                      |
| 690699-100 | Filter, For AC Ceiling Assembly                           |
| 602708     | Return air, AC Plenum                                     |
| 602709     | Cold air, AC Plenum                                       |
| 382341     | Grill, Return air   |
| 382342     | Filter, Wire mesh   |
| 115920     | Bracket, AC mount, Rear                                   |
| 365194     | Tape, 2", Aluminum foil                                   |
| 382606-01  | Register-Ac - Adjustable Brushed                          |
| 690779-102 | Soft Start Kit, for Coleman A/C                           |

### Furnace

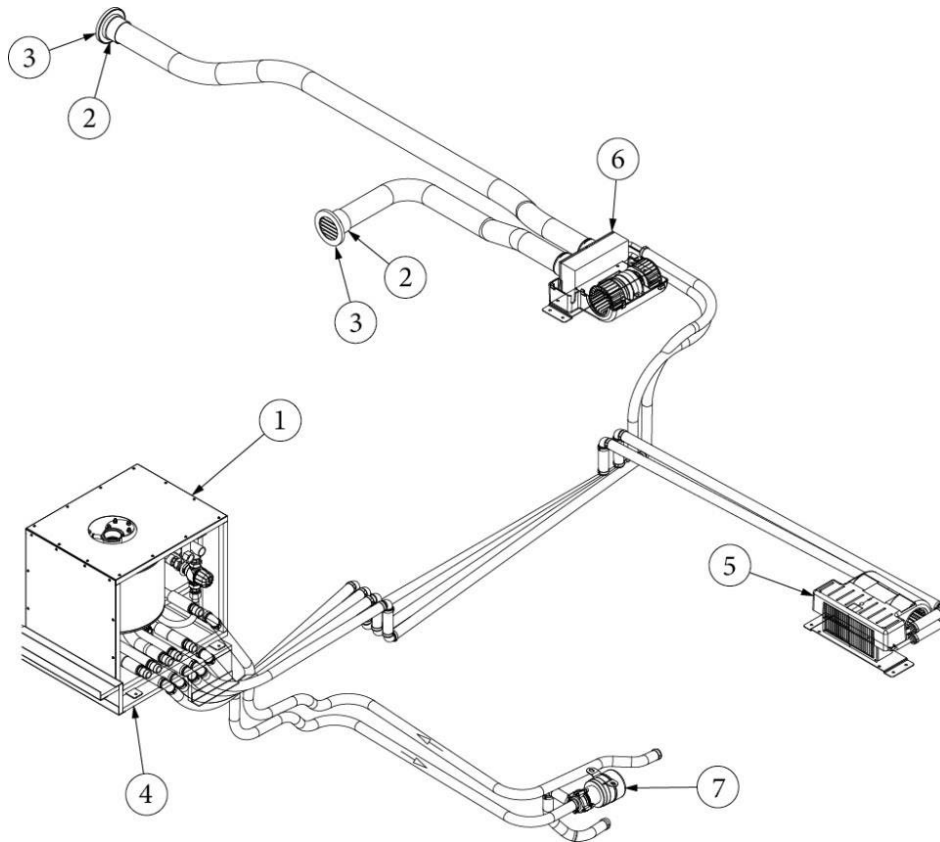
|           |                                     |
|-----------|-------------------------------------|
| 690616-03 | Furnace w/ducted discharge, 19K BTU |
| 690616-01 | Intake tube, 5"                     |
| 600247    | Hose, Heat duct flex, 4"            |
| 600193    | Duct, 2", Thermaflex flexible air   |
| 690429    | Round louver, 2", Black             |
| 114079    | Adapter 4" to 2"                    |
| 365419    | Gasket, Furnace vent                |
| 968565    | Stand, Furnace                      |
| 602394-03 | Register-Black 4" #HV4BK            |

### Water Heater

|           |                                  |
|-----------|----------------------------------|
| 690711-07 | Water heater, On-demand, LP only |
| 690711-02 | Vent cap                         |
| 690711-03 | Control center                   |
| 365420    | Gasket, Water heater vent        |
| 968567    | Stand, Water heater              |

## APPLIANCES

### Hydronic Furnace and Hot Water System, E1 Package Option



113966  
113956

Install, Hydronic Heating System (not for order/see parts below)  
Install, Elwell Heater (not for order/see parts below)

- |    |           |  |
|----|-----------|--|
| 1. | 690797-01 | Heater, Elwell Heating System            |
| 2. | 690797-24 | Vent, Outlet Flange, 60mm                |
| 3. | 690797-33 | Cover, Vent                              |
| 4. | 969801    | Assembly, Timberline Stand               |
| 5. | 690797-22 | Air Handler, Timberline                  |
| 6. | 690797-23 | Air Handler, Ducted, Timberline          |
| 7. | 690797-41 | Circulating Pump, Binar 10               |
|    | 690797-11 | Cover, Sensor, Elwell                    |
|    | 14504W    | Anti-Freeze, Polar Magic, 55 Gallon Drum |
|    | 602854    | Hose, Heater, .75" ID                    |
|    | 690797-25 | Ducting, 60mm, 20m Roll, Timberline      |
|    | 602851    | Clamp, Hose, .5 To 1.375, Stainless      |
|    | 602913    | Elbow, 90-Degree, For 3/4" Hose          |



## APPLIANCES

### Burner, Hydronic System, E1 Package Option

|           |  |
|-----------|--|
| 113958    | Install, Elwell Burner (not for order/see parts below) |
| 690797-02 | Burner, Binar 10, Diesel, Timberline                   |
| 690797-37 | Fuel Pump, Binar 10, Diesel, Timberline                |
| 690797-07 | Bracket, Round, Fuel Pump, Timberline                  |
| 455943    | Bracket, Steel, 12GA, Black, 3-Hole                    |
| 690797-08 | Fuel Line, Timberline, Roll, 19.5'                     |
| 690797-31 | Adapter, Fuel line, Mercedes                           |
| 690797-09 | Adapter, Fuel line, Timberline                         |
| 690797-35 | Intake Hose, Binar 10, Timberline                      |
| 690797-39 | Muffler, Binar 10, Timberline                          |
| 455968    | Exhaust Tip, Timberline, Stainless                     |
| 455900    | Bracket, Mounting, Elwell Burner                       |
| 383003    | Hanger, Generator exhaust                              |
| 350282    | Locknut, Nylon Insert, 9/16"-12                        |
| 300240    | Steel Washer, Grade 9, 9/16"                           |
| 345784    | Hex Head Screw, 9/16"-12 x 4                           |
| 320029-01 | Screw, #8 x 1/2  |
| 340073-03 | Clamp, Muffler, W/Nuts & Saddle                        |

## APPLIANCES

### Generator

|           |   |
|-----------|---|
| 135326    | Install, LP Generator (not for order/see parts below) |
| 512950-01 | Generator, 3.6 KY-FA/26120                            |
| 512950-05 | Start/Stop Switch & LCD Meter, Generator              |
| 381509    | Hanger, Tailpipe                                      |
| 456010    | Heat Shield, Gen Exhaust Pipe                         |
| 455280    | Hanger, Exhaust Pipe Bracket                          |
| 455600    | Exhaust Tip, Generator, SS                            |
| 456000    | Exhaust, LP Generator Tail Pipe                       |
| 456001-01 | Aft Bracket, LP, Generator                            |
| 456001-02 | Forward Bracket, LP, Generator                        |
| 456003    | Bracket, Outboard                                     |
| 456004    | Bracket, Inboard                                      |
| 456005    | Strap, Generator                                      |
| 914398    | Resonator   |
| 914399    | Tailpipe-6.75" Generator                              |
| 514142-29 | Warning Label, AGS                                    |
| 340073-03 | Clamp, Exhaust Pipe, 1.5"                             |
| 510562    | Generator Switch Over, Automatic                      |
| 455325    | Outrigger, Forward Diesel Generator                   |
| 455326    | Bracket, Outrigger Rear Cs Gen Mounting               |
| 455216    | Heat Shield, Generator                                |

## APPLIANCES

### Microwave and Cooktop

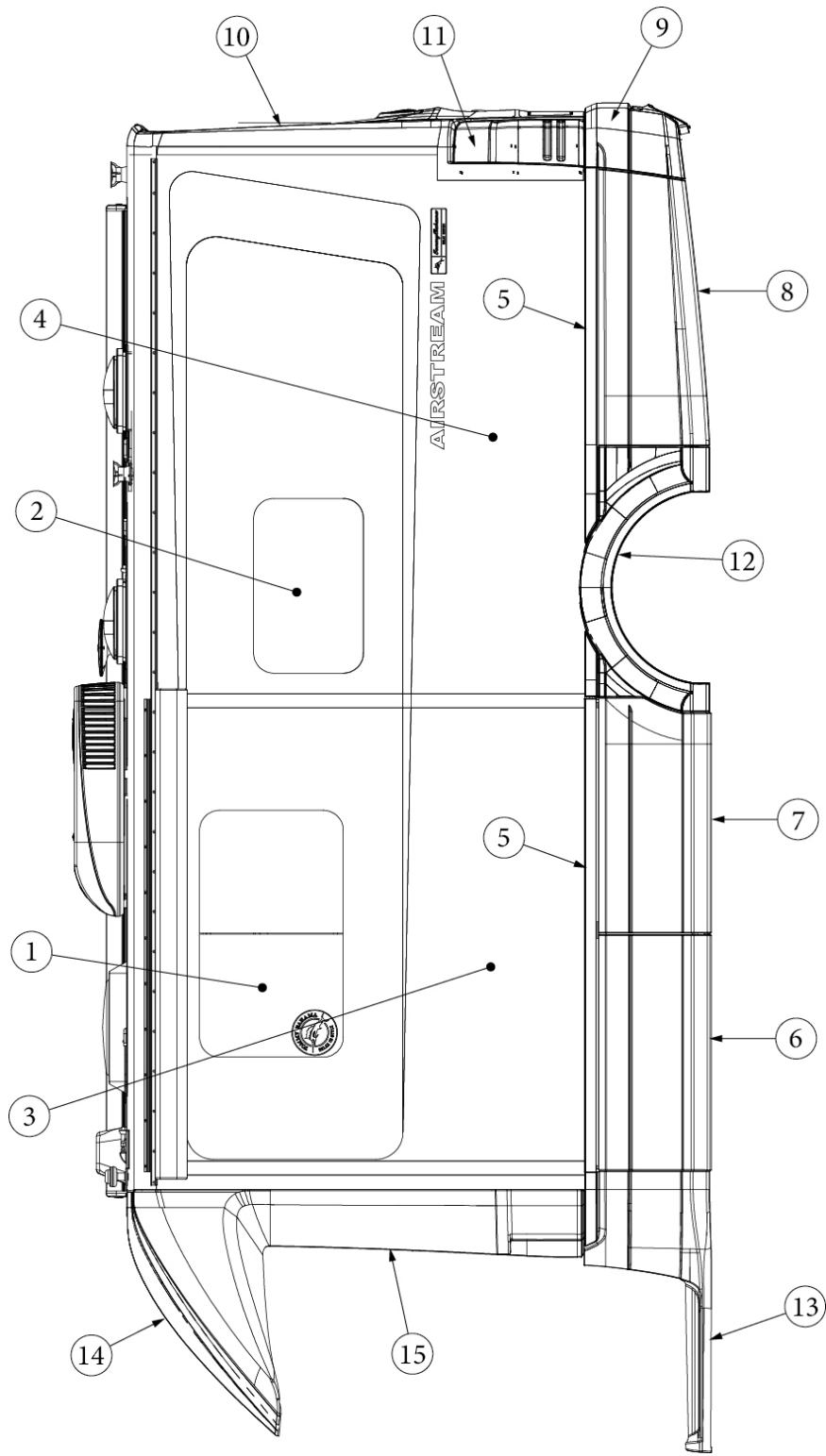
|           |  |
|-----------|--|
| 690816    | Cooktop, Two Burner, Suburban 3036AST                      |
| 514023    | Cooktop, Induction, 1000 watt, 1-Burner, E1 Package Option |
| 690728-01 | Microwave, Convection, 1.1 CF SS #RV-200s-Con              |
| 690728-02 | Trim Kit, Microwave, SS, #TK-200S SS                       |

### Refrigerator and Freezer

|            |   |
|------------|---|
| 690692     | Refrigerator/Freezer, Two Doors, Novakool |
| 690692-101 | Door Only, Refrigerator, For 690692       |
| 690692-102 | Door Only, Freezer, For 690692            |
| 690692-103 | Ice Cube Tray, For 690692                 |
| 690692-104 | Thermostat, For 690692                    |
| 690692-105 | Resistor, For 690692                      |
| 690692-106 | Door Panel Only, Refrigerator, For 690692 |
| 690692-107 | Door Panel Only, Freezer, For 690692      |
| 690692-108 | DC Module, For 690692                     |
| 690692-109 | ACDC Module, For 690692                   |
| 690692-110 | Bracket, For 690692                       |
| 690692-111 | Computer Fan, 12V, For 690692             |

# EXTERIOR SHELL

Wall, Roadside



Parts Listed on Next Page

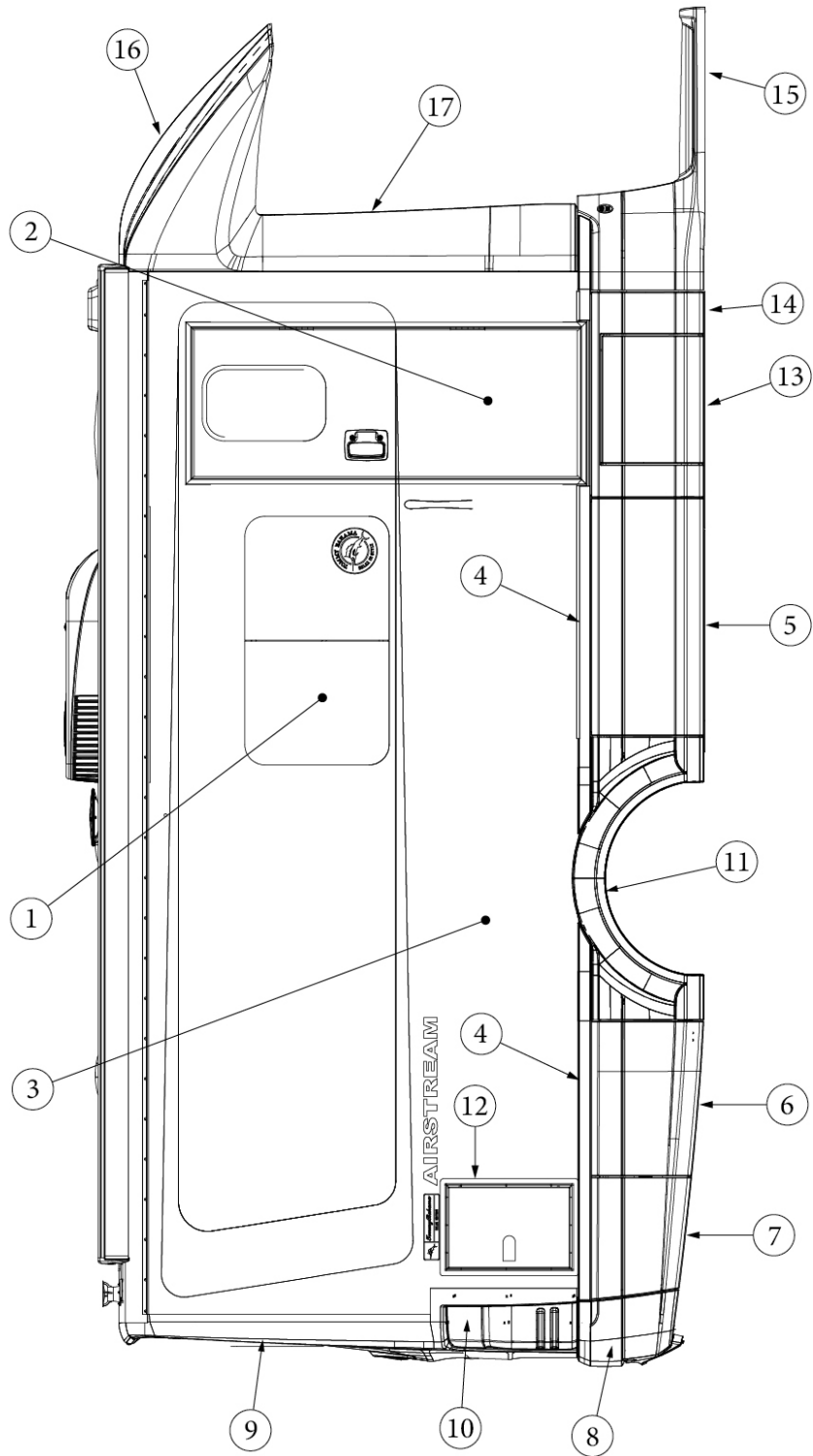
## EXTERIOR SHELL

### Wall, Roadside

|            |                                      |
|------------|--------------------------------------|
| 923668S    | Shell Assembly                       |
| 923660S    | Shell Assembly, E1 Package Option    |
| 1. 372279  | Window, Top Hinge, 23.63 x 41.63     |
| 2. 372286  | Window, Top hinge, 17.63 x 28.75     |
| 3. 923268  | Slide-out room assembly              |
| 4. 923263  | Roadside Wall                        |
| 923619     | Roadside Wall, E1 Package Option     |
| 5. 115692  | Extrusion, Hinge body rail           |
| 6. 923283  | Compartment door                     |
| 7. 923325  | Slide-out compartment door, Aft      |
| 8. 923326  | Slide-out compartment door, Aft      |
| 9. 203858  | Rear bumper                          |
| 10. 203835 | Rear cap                             |
| 11. 513226 | Taillight, LH                        |
| 12. 203836 | Wheel well flare, RS                 |
| 13. 204073 | Transition step, RS                  |
| 14. 203830 | Transition panel, Center             |
| 15. 204071 | Transition panel, Driver side        |
| 690711-02  | Vent cap                             |
| 386293-02  | Reflector, Red decal, RS rear bumper |
| 116075-01  | Bumper Support                       |
| 114879-02  | Aluminum Sheet, .04 x 33 x 284.5"    |

# EXTERIOR SHELL

Wall, Curbside



Parts Listed on Next Page

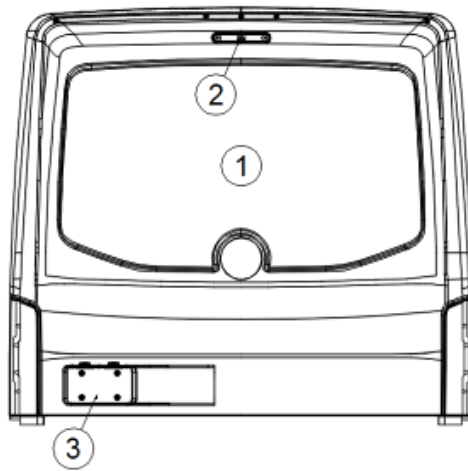
## EXTERIOR SHELL

### Wall, Curbside

|               |  |
|---------------|--|
| 923668S       | Shell Assembly                                   |
| 923660S       | Shell Assembly, E1 Package Option                |
| 1. 372279     | Window, Top Hinge, 23.63 x 41.63                 |
| 2. 372322     | Door, Main Entry, PTL Engineering                |
| 3. 923264     | Curbside Wall                                    |
| 923620        | Curbside Wall, E1 Package Option                 |
| 4. 115692     | Extrusion, Hinge body rail                       |
| 5. 923283     | Compartment door                                 |
| 6. 923328     | Compartment door, CS angled, Forward, E1 Package |
| 923328-01     | Compartment door, CS Angled, Forward, Non-Volta  |
| 7. 923327     | Compartment door, CS angled, Aft                 |
| 8. 203858     | Rear bumper                                      |
| 9. 203835     | Rear cap   |
| 10. 513227    | Taillight, RH                                    |
| 11. 203874    | Wheel well flare, CS                             |
| 12. 923460-01 | Flush Door, Atlas                                |
| 13. 204017    | Step skin  |
| 14. 204018    | Body skin cut out                                |
| 115694        | Extrusion, Door Hinge, 35"                       |
| 15. 204074    | Transition step, CS                              |
| 16. 203830    | Transition panel, Center                         |
| 17. 204072    | Transition panel, Passenger side                 |
| 455127        | License plate lamps                              |
| 386293-01     | Reflector, Red decal, CS rear bumper             |
| 513037        | Grab handle w/LED lights                         |
| 512434        | Switch, ON/OFF LP valve                          |
| 386373        | Decal, On/Off LPG remote fill                    |

## EXTERIOR SHELL

### Rear Cap



921252 Rear Cap Prep

- 1. 203835 Rear cap
- 2. 513031 Camera, Third brake light
- 3. 455137 Bracket, License plate mounting
- 455127 Plate, License lamps
- 514479 Light, License plate
- 513886 Red sealed LED marker/clearance light
- 455193-01 Bracket, Rear Wall & Cap Support, W/Locknuts
- 455193-02 Bracket, Rear Wall & Cap Support

### Hitch and Hitch Cover

- 411232 Hitch Assembly
- 203880-9775 Hitch cover, Iridium Silver
- 350275 Thumb screw, Plastic
- 382394-02 Receptacle
- 382394-03 Stud
- 386227-03 Label, Hitch Weight, 4000 lb

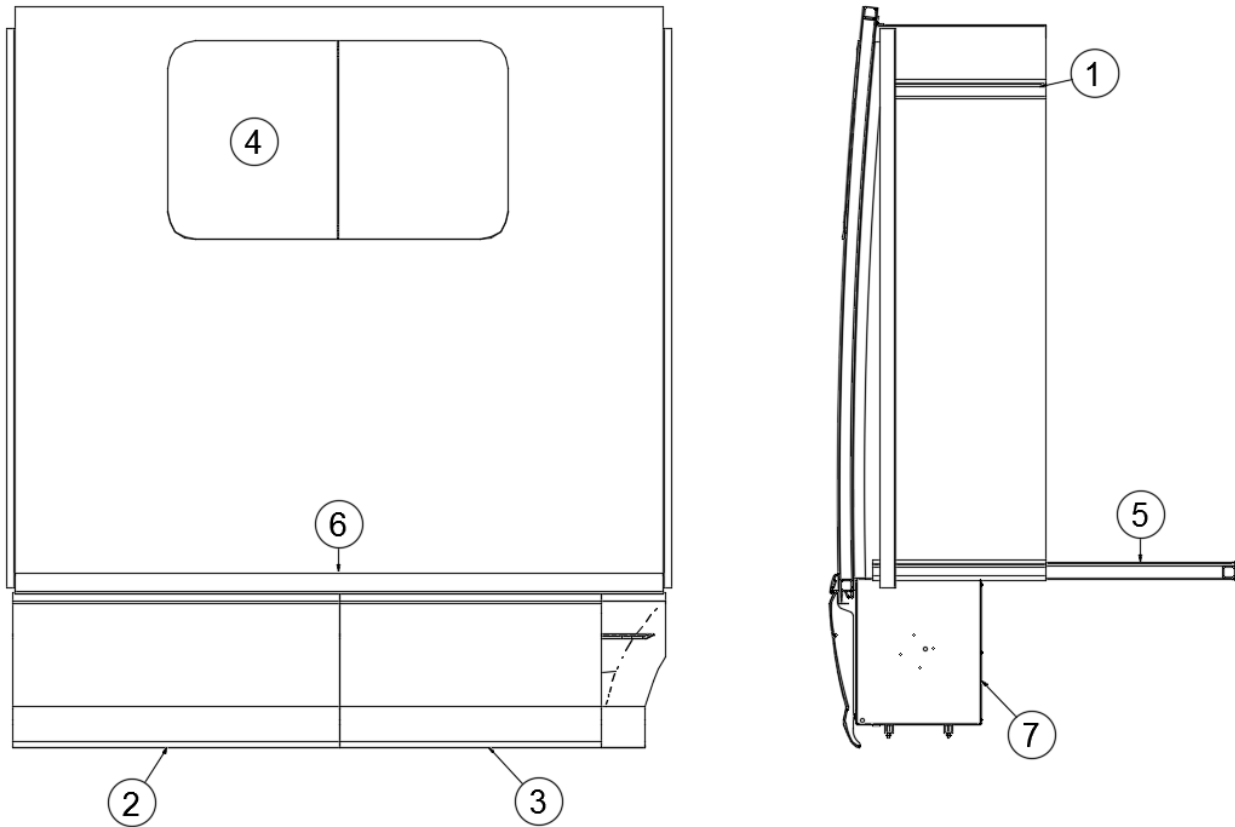
### Rear Bumper

- 203858 Rear bumper
- 455315 Bracket, RS rear bumper
- 455316 Bracket, CS rear bumper
- 455073 Weldment, Rear bumper support
- 513577 Parking Sensing System
- 116075-01 Bumper Support



## EXTERIOR SHELL

### Slide-Out Room



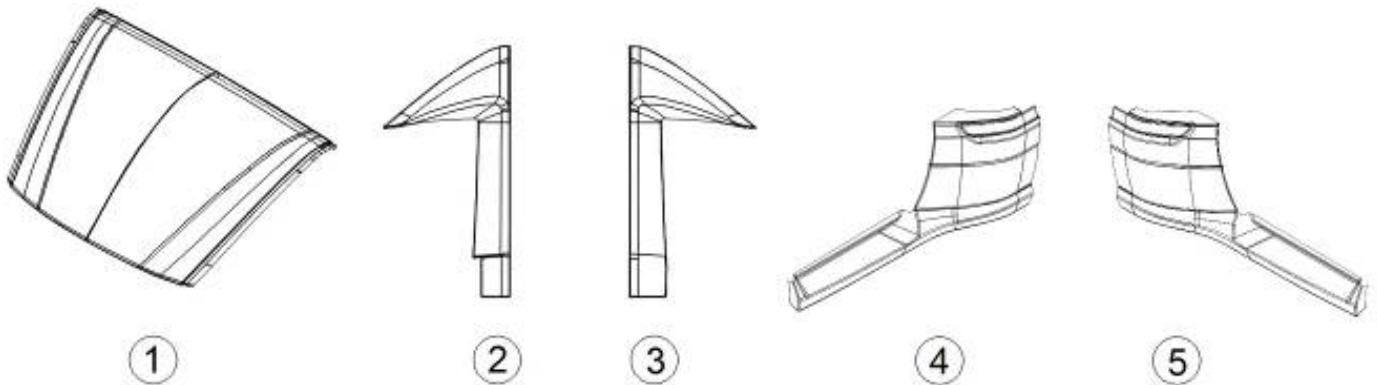
135425

Slide-Out Room

- |  |  |
|--|--|
| <ul style="list-style-type: none"> <li>1. 411041</li> <li>2. 923283</li> <li>3. 923325</li> <li>4. 372279</li> <li>5. 115839</li> <li>6. 203952</li> <li>7. 455324</li> <li>115694</li> <li>115692</li> <li>512962-01</li> <li>513931</li> <li>513354</li> <li>382310</li> <li>365443</li> </ul> | <ul style="list-style-type: none"> <li>Slide-out system, Schwintek</li> <li>Compartment door</li> <li>Slide-out compartment door, Aft</li> <li>Window, Top hinge, 23.63 x 41.63</li> <li>Aluminum trim, Slide-out floor</li> <li>Trim, Slide-out RS beltline</li> <li>Compartment, Slide out</li> <li>Extrusion, Door hinge</li> <li>Extrusion, Hinge body rail</li> <li>Electronic rotary latch, Southco</li> <li>Carrier, Track cable</li> <li>Door magnetic contact</li> <li>Slide out roller</li> <li>Gasket- Flap 1"X .63" #SD-351</li> </ul> |
|--|--|

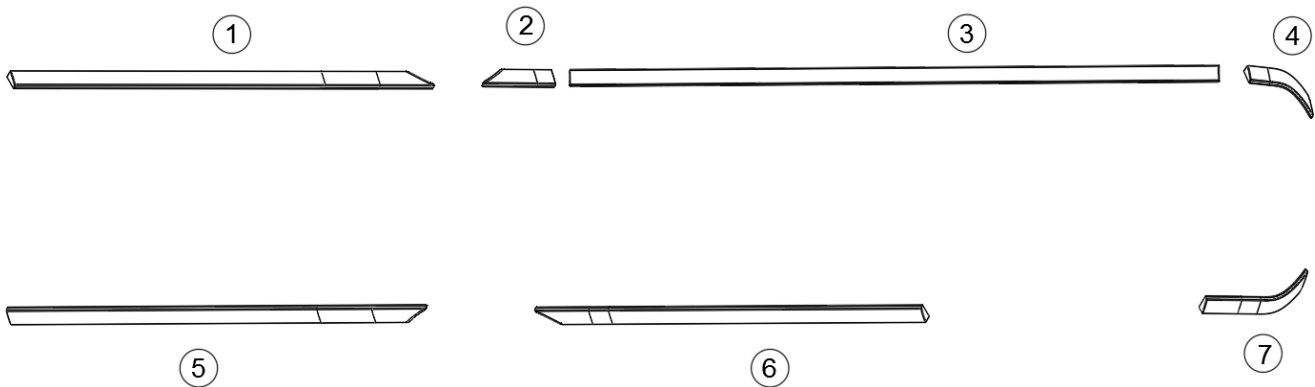
## EXTERIOR SHELL

### Transition Panels



- |           |                                  |
|-----------|----------------------------------|
| 1. 203830 | Center transition panel          |
| 2. 204071 | Drivers side transition panel    |
| 3. 204072 | Passengers side transition panel |
| 4. 204073 | Transition step, Driver side     |
| 5. 204074 | Transition step, Passenger side  |

### Chrome Beltline



- |           |                             |
|-----------|-----------------------------|
| 1. 203954 | Trim, RS rear               |
| 2. 203953 | Trim, RS front fender flare |
| 3. 203952 | Trim, RS slide-out          |
| 4. 203951 | Trim, RS front              |
| 5. 203957 | Trim, CS rear               |
| 6. 203956 | Trim, CS mid                |
| 7. 203955 | Trim, CS front              |

## EXTERIOR SHELL

### Supports

|        |                            |
|--------|----------------------------|
| 203882 | Center support, Fiberglass |
| 203883 | CS support, Fiberglass     |
| 203884 | RS support, Fiberglass     |

### Decals and Nameplates

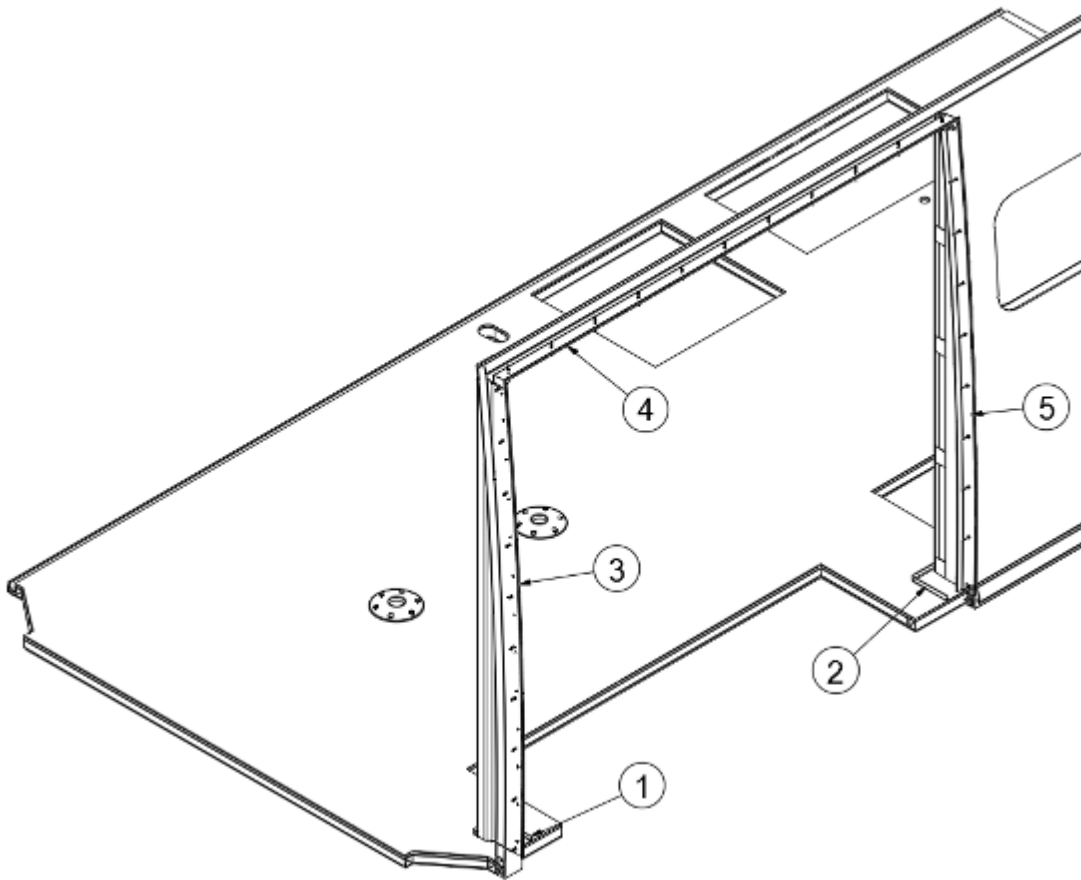
|        |                                    |
|--------|------------------------------------|
| 386376 | Mercedes Emblem, 8"                |
| 386308 | Emblem, Atlas, Chrome              |
| 386328 | Decal, "AIRSTREAM", Chrome         |
| 386324 | Marlin, Exterior Graphic, Rear     |
| 386326 | Badging, Tommy, Exterior           |
| 386325 | Tommy Logo, Exterior Graphic, Side |

### Reflectors

|           |                          |
|-----------|--------------------------|
| 386293-01 | Reflector, RH lower, Red |
| 386293-02 | Reflector, LH lower, Red |

## INTERIOR SHELL

### Slide-out Sidewall Extrusions

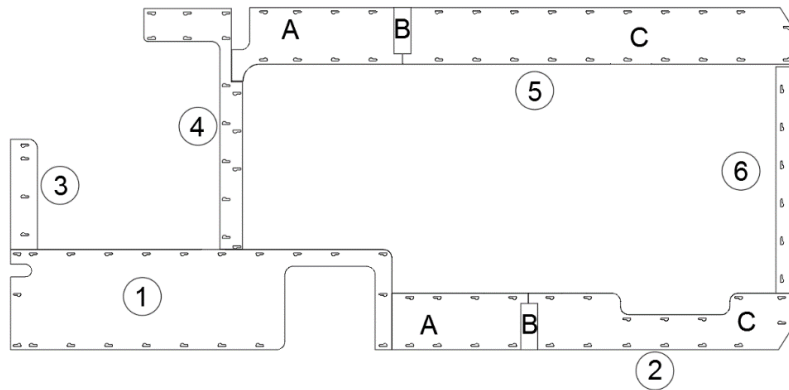


112425 Slide-out Sidewall Extrusions Install (not for order/see parts below)

- |              |  |
|--------------|--|
| 1. 455079    | Slide-out bracket, Forward                   |
| 2. 455080    | Slide-out bracket, Aft                       |
| 3. 115961-01 | Extrusion, Slide-out sidewall opening, Left  |
| 4. 115944    | Extrusion, Slide-out sidewall opening        |
| 5. 115961-02 | Extrusion, Slide-out sidewall opening, Right |
| 382547       | Wiper seal, Single bulb                      |
| 365035       | Rubber seal, Access door                     |
| 360339       | 3M weather strip and gasket, Black           |

## INTERIOR SHELL

### Ceiling Panels



923303

### Layout, Ceiling Panels

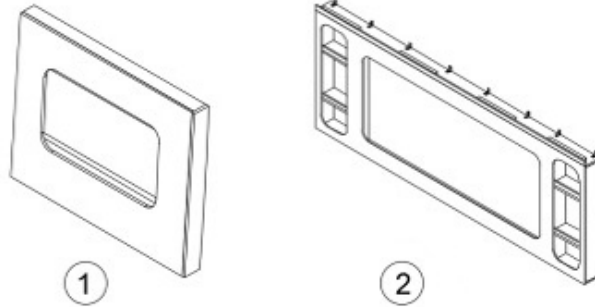
- |               |                                     |
|---------------|-------------------------------------|
| 1. 923303-01  | Panel, Ceiling CS Aft Atlas         |
| 2. 923303-02A | Panel, Ceiling CS Mid Atlas         |
| 923303-02B    | Panel, Ceiling CS Mid Atlas         |
| 923303-02C    | Panel, Ceiling CS Front Atlas       |
| 3. 923303-03  | Panel, Ceiling Rear Atlas           |
| 4. 923303-08  | Panel, Ceiling Mid Aft Atlas        |
| 5. 923303-05A | Panel, Ceiling RS Mid Atlas         |
| 923303-05B    | Panel, Ceiling RS Mid Atlas         |
| 923303-05C    | Panel, Ceiling RS Front Atlas       |
| 6. 923303-06  | Panel, Ceiling Front Atlas          |
| 704088-02     | Fabric w/laminate backer, Sarandave |
| 704088        | Fabric, Sarandave                   |

## INTERIOR SHELL

### Dash Trim Kit

365487 Kit-Dash Premium Piano Black & Brushed Aluminum  
203963 Mirror, Vanity visor  
203977 Housing, Visor vanity mirror

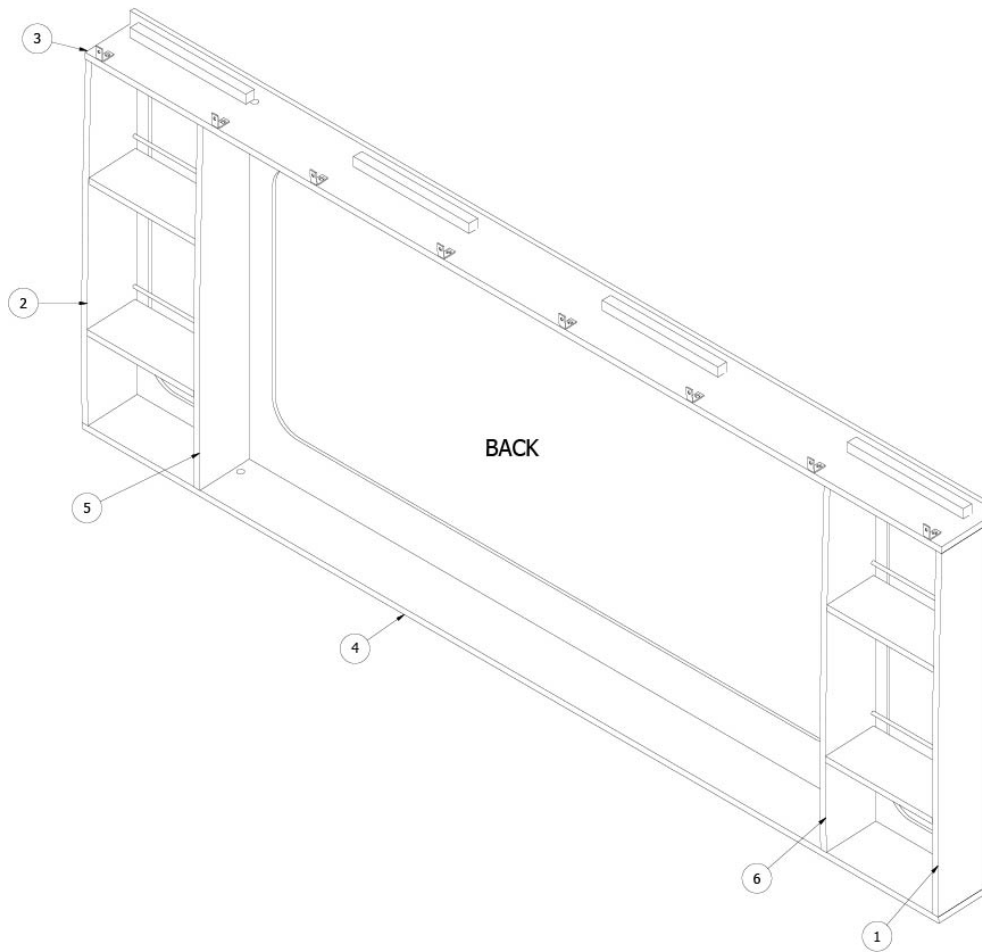
### Window Boxes



1. 968476-01 Window box, RS galley  
2. 968745 Window valance, RS slide-out room  
968853 Box Assy - Window CS Tommy  
704088-02 Fabric w/laminate backer, Sarandave  
704088 Fabric, Sarandave

## INTERIOR SHELL

### Window Valance Slide-Out



968745

Window Valance Slide-Out

- |                    |                                      |
|--------------------|--------------------------------------|
| 1. 968745&000212BB | Panel, 4.28 x 27                     |
| 2. 968745&000312BB | Panel, 4.28 x 27                     |
| 3. 968745&000412BB | Panel, 4 x 74                        |
| 4. 968745&000512BB | Panel, 4.25 x 74                     |
| 5. 968745&000812BB | Panel, 4.28 x 27                     |
| 6. 968745&000912BB | Panel, 4.28 x 27                     |
| 968745&001012BB    | Panel, 9.13 x 4.15                   |
| 968745&001112BB    | Panel, 9.13 x 4.15                   |
| 968745&001212BB    | Panel, 9.13 x 4.15                   |
| 968745&001312BB    | Panel, 9.13 x 4.15                   |
| 115042             | Aluminum rod, 12.5"                  |
| 380041             | Bracket, 90°, 1 x 1                  |
| 704088-02          | Fabric, w/laminate backer, Sarandave |
| 704088             | Fabric, Sarandave                    |

## CHASSIS

### Air Ride System

411109-01 VB Air Ride System  
411120-02 Bracket, Xenon height sensor

### Aluminum Wheels

135352 Install, Wheels Atlas (not for order/see parts below)

411256-01 Front Rim  
411256-03 Rear Rim  
411256-02 Lug Nut Cover, Front Rim  
411256-04 Lug Nut Cover, Rear Rim  
411256-05 Socket Screw, M6 x 1mm x 16mm  
411256-06 Emblem, Mercedes Benz  
411256-07 Allen Wrench, 5mm

### Fender Well

455214 Fender well, RS inner rear  
455215 Fender well, CS inner rear

### Mud Flaps

203922 Mudflap-RS/CS Rear Atlas

### Leveling Jacks

135176 Install, Hydraulic Leveling Kit (not for order/see parts below)

411226 Leveling Kit  
455574-03 Platform, Hydraulic Leveling Pump  
455574-09 Pump Intermediate Plate  
204131 Panel, Hydraulic Leveling Docking  
602973 Fitting, 6C40MXS, Hydraulic Leveling  
411248 Bracket, Rear



## CHASSIS

### Driver and Passenger Steps

|        |   |
|--------|---|
| 204073 | Transition step, Driver                     |
| 204071 | Transition panel, Driver                    |
| 204074 | Transition step, Passenger                  |
| 204072 | Transition panel, Passenger                 |
| 203912 | Step Tread, Adhesive back, LS Running Board |
| 203913 | Step Tread, Adhesive back, RS Running Board |

### Step

|           |                                    |
|-----------|------------------------------------|
| 513040    | Power step, Project 2000 double    |
| 513567    | Step Controller Only, Project 2000 |
| 300052    | Washer, Flat, 3/8"                 |
| 345272-03 | Bolt, Hex Head, 3/8"               |
| 455266    | Outrigger, Fold-out step, RH       |
| 455263    | Outrigger, Fold-out step, LH       |
| 455605    | Bracket-Step Skin Mounting, Upper  |
| 382513    | Bracket, Step skin mounting, Lower |
| 455985-01 | Step Pad, RS Front                 |
| 455985-02 | Step Pad, CS Front                 |
| 513029-08 | Magnetic Door Switch               |
| 204017    | Step Skin                          |

### Exhaust System

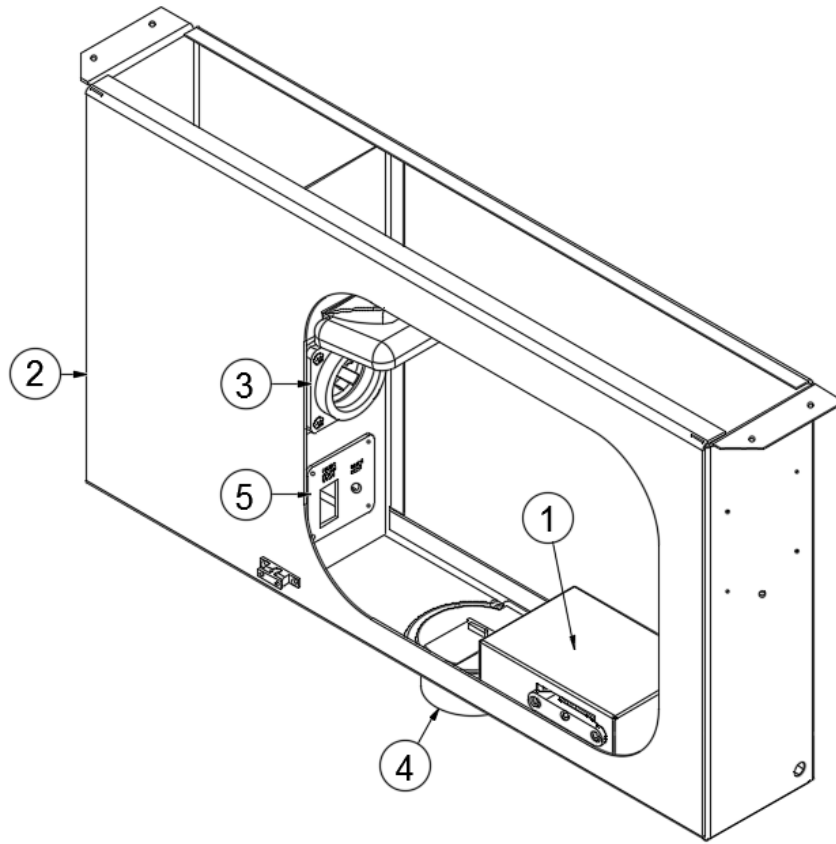
|           |  |
|-----------|--|
| 135286    | Install, Exhaust Atlas (not for order/see parts below) |
| 454656    | Exhaust Tailpipe                                       |
| 410999-01 | Tip, Exhaust, 2.5 X 18                                 |
| 340073-10 | Clamp, Muffler, 2.5"                                   |
| 340073-15 | Clamp, Muffler, 2.75"                                  |
| 381509    | Hanger, Tailpipe                                       |
| 455377    | Stra, L, .13 X 1.25 X 12.5, Black                      |
| 300052    | Washer, 3/8 ID 5/8 OD, Flat                            |
| 350147-37 | Nut, Nylon Lock, 3/8-16                                |
| 345272-04 | Screw-Cap, 3/8-16 x 1.0, Hex Head                      |

### Skid Bar Assembly

|        |                   |
|--------|-------------------|
| 454685 | Skid bar assembly |
|--------|-------------------|

## CHASSIS

### Exterior Compartment, RS Rear

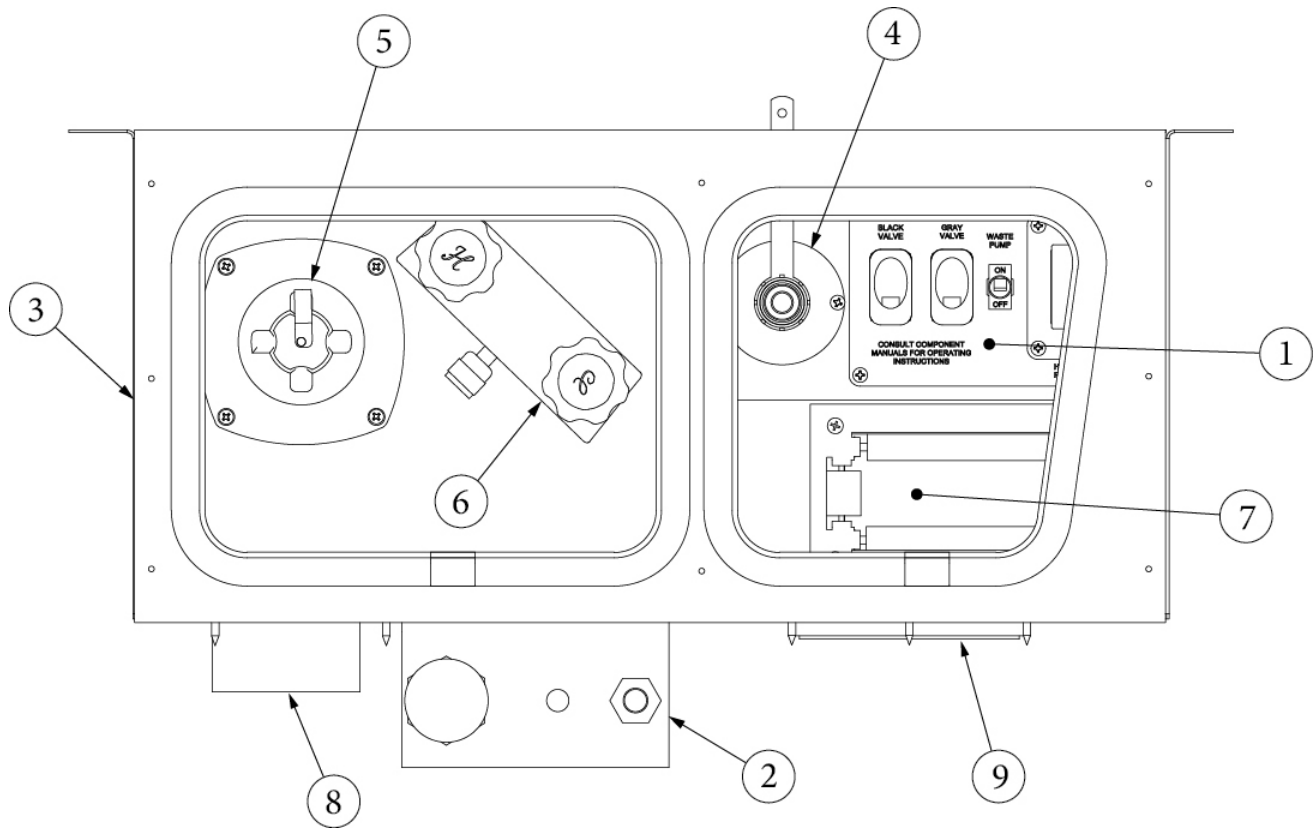


113654      Compartment, Shore cord, RS rear (not for order/see parts below)

- 1. 455084      Compartment latch cover
- 2. 455835      Compartment, Shore power
- 3. 513797-01    Power inlet, 30 amp, SmartPlug
- 4. 381435-02    Hatch, Access cover
- 5. 386339      Water valve/Coax cover plate
- 513079      Switch, Momentary w/light
- 510623      Coax connector
- 510623-01    Coax connector locking nut
- 365035      Rubber seal, Access door
- 386316-09    Grip-Nylon Liq Tight Crd Grip .75"

# CHASSIS

## Exterior Compartment, RS Wet Bay

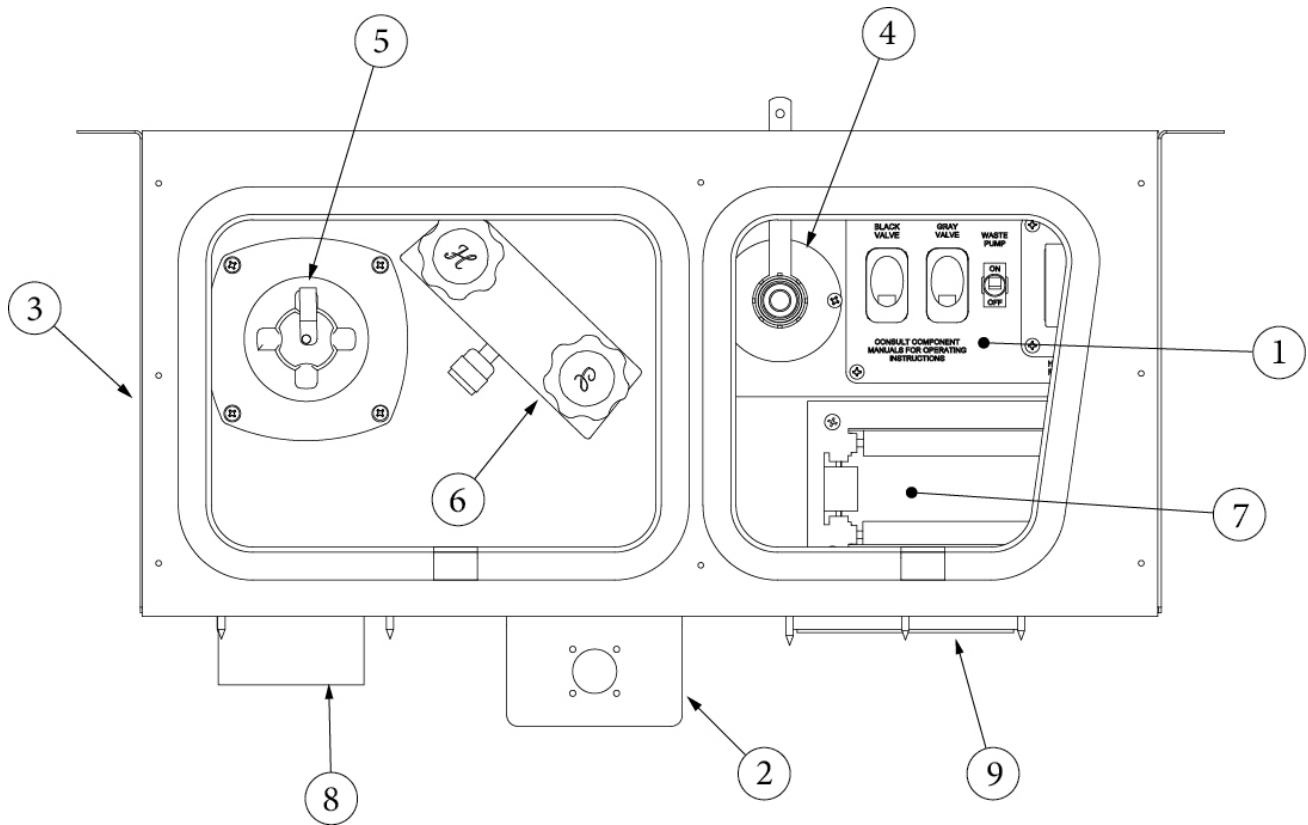


112480      Compartment, RS Wet Bay (not for order/see parts below)

- 1. 386361      Panel - Exterior Switches
- 2. 455699      Remote fill Bracket
- 3. 455962      Compartment, Shower/macerator
- 4. 602940      Black Tank Flush Kit, No Fuss
- 5. 601392-06      City water fill w/regulator, 50 PSI
- 6. 602288-10      Exterior shower outlet
- 7. 512934-02      Roller guide
- 8. 381435-02      Hatch, Access cover
- 9. 204260      Hatch Cover, Round, Black, 5"
- 365035      Rubber seal, Access door

# CHASSIS

## Exterior Compartment, RS Wet Bay, E1 Package Option

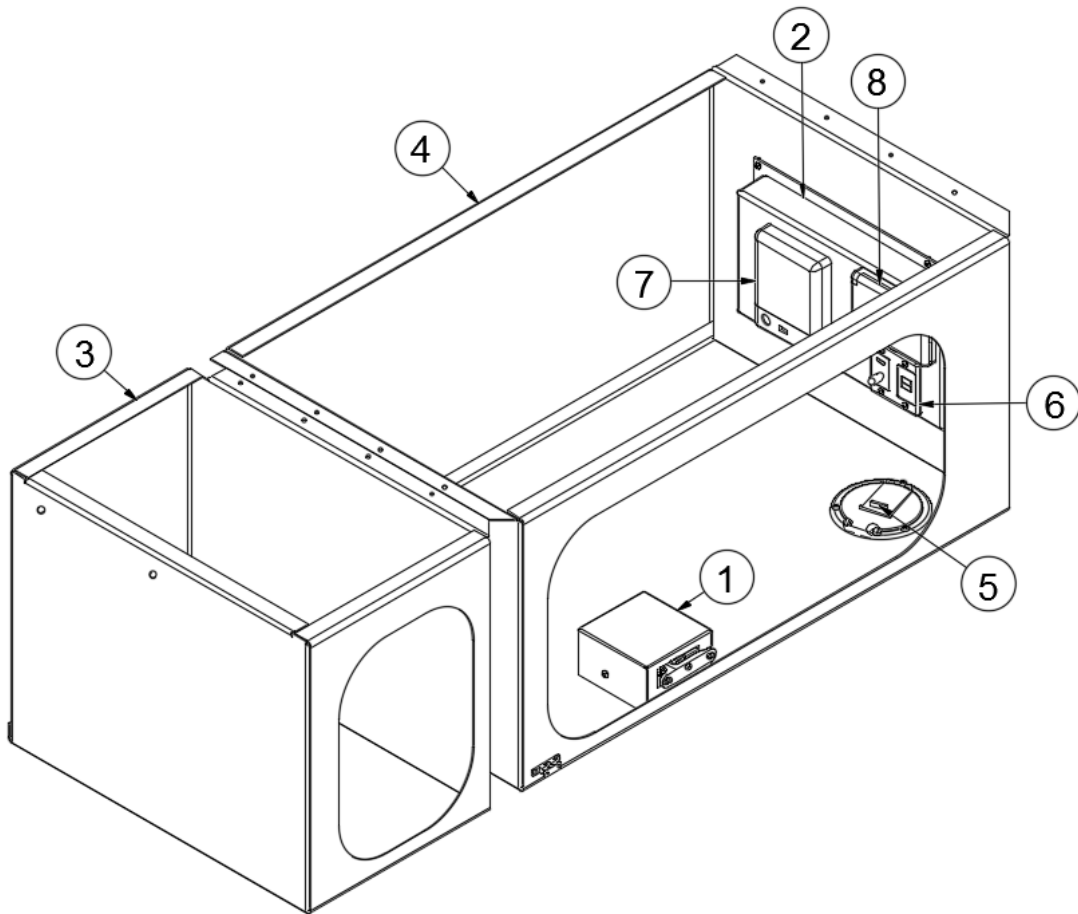


113970      Compartment, RS Wet Bay (not for order/see parts below)

- 1. 386361      Panel, Exterior Switches
- 2. 455942      Bracket, Solar Port
- 513898      Solar Port, Sidewall
- 3. 455962      Compartment, Shower/macerator
- 4. 602940      Black Tank Flush Kit, No Fuss
- 5. 601392-06    City water fill w/regulator, 50 PSI
- 6. 602288-10    Exterior shower outlet
- 7. 512934-02    Roller guide
- 8. 381435-02    Hatch, Access cover
- 9. 204260      Hatch Cover, Round, Black, 5"
- 365035      Rubber seal, Access door

# CHASSIS

## Exterior Compartment, CS Forward



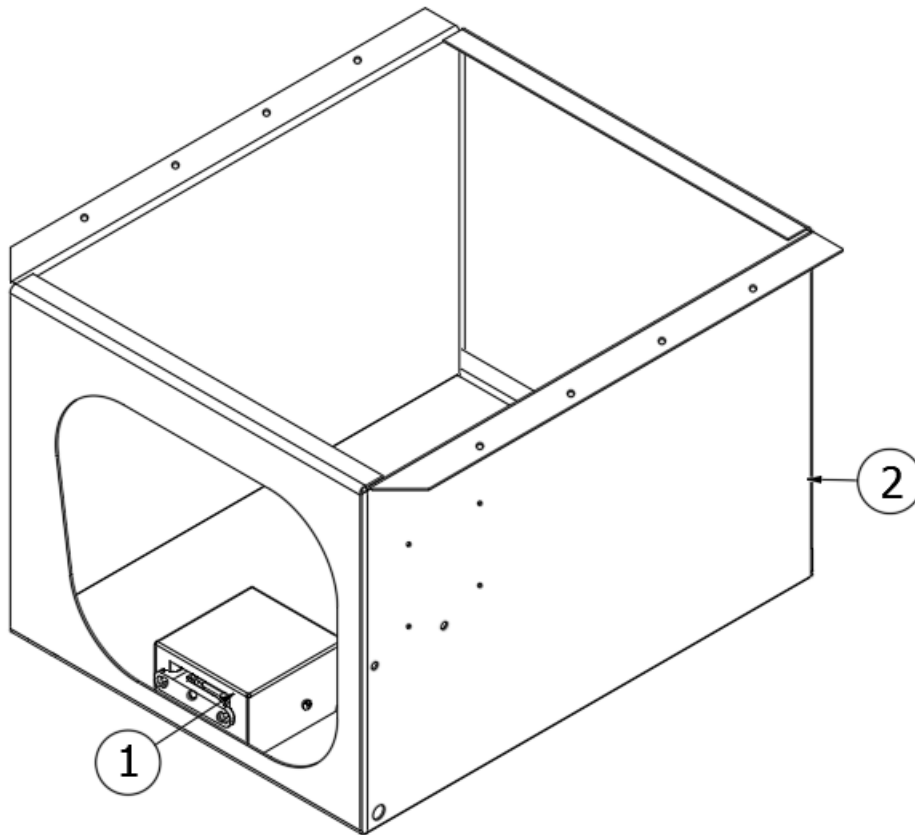
112482

CS Forward storage (not for order/see parts below)

- |                |  |
|----------------|--|
| 1. 455354      | Compartment latch cover                    |
| 2. 99900P-1444 | Hat, Macerator switch, RS rear             |
| 3. 455321      | Compartment, CS mid rear                   |
| 4. 455320      | Compartment, CS Mid forward                |
| 5. 381435-02   | Hatch, Access cover                        |
| 6. 513355      | USB charger/HDMI/coax, Black               |
| 7. 513224      | Light w/motion sensor & ON/OFF/Auto switch |
| 8. 512741      | Weatherproof cover w/gasket, Gray          |
| 513110         | Tie, Black w/fir tree mount                |
| 365035         | Rubber seal, Access door                   |

# CHASSIS

## Exterior Compartment, CS Rear

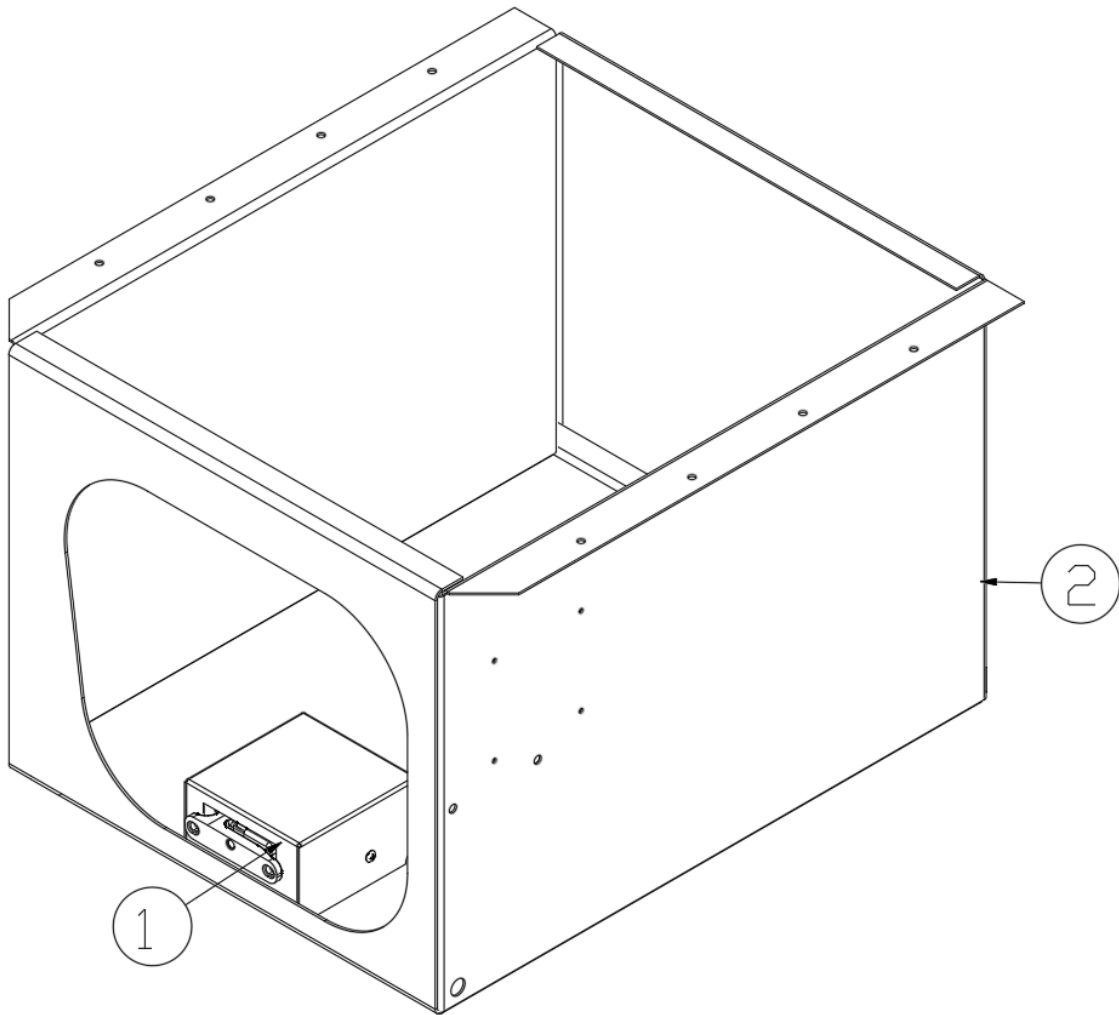


112527      Compartment, Diesel gen, CS rear (not for order/see parts below)

- 1. 455354      Compartment latch cover
- 2. 455328      Compartment, CS rear Diesel gen
- 513110      Tie, Black w/fir tree mount
- 365443      Gasket- Flap 1"X .63" #SD-351

# CHASSIS

## Exterior Compartment, CS Rear, E1 Package Option

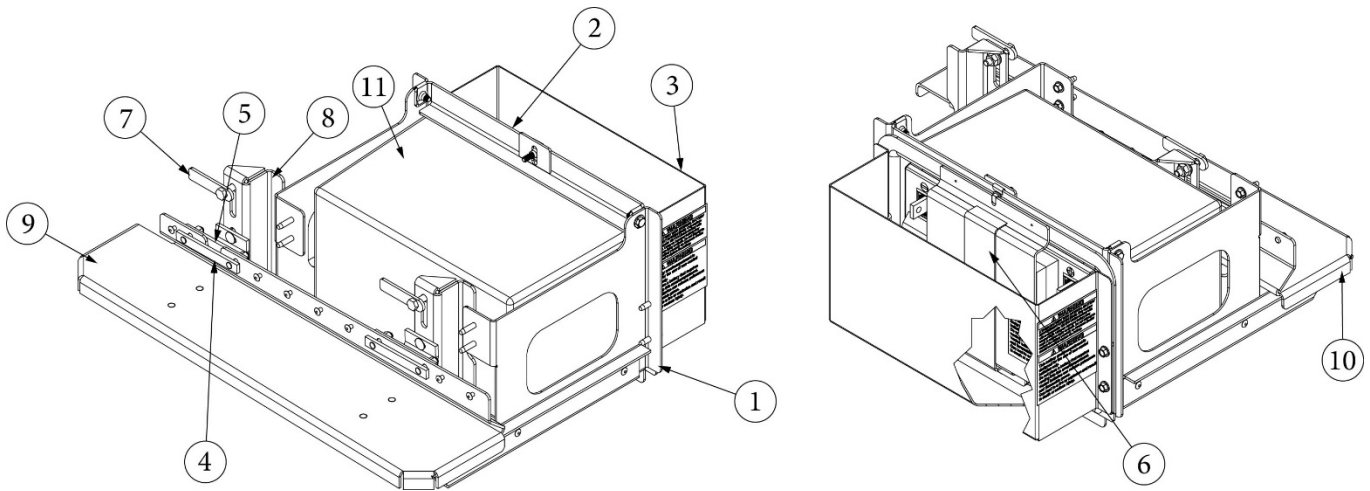


135194      Compartment, CS rear, E1 Package (not for order/see parts below)

- 1. 455354      Compartment latch cover
- 2. 455328      Compartment, CS Rear
- 455942      Bracket, Solar Port
- 513898      Solar Port, Sidewall
- 513110      Tie, Black w/fir tree mount
- 365443      Gasket- Flap 1"X .63" #SD-351

## CHASSIS

### Battery Install, Step Support Frame



135299

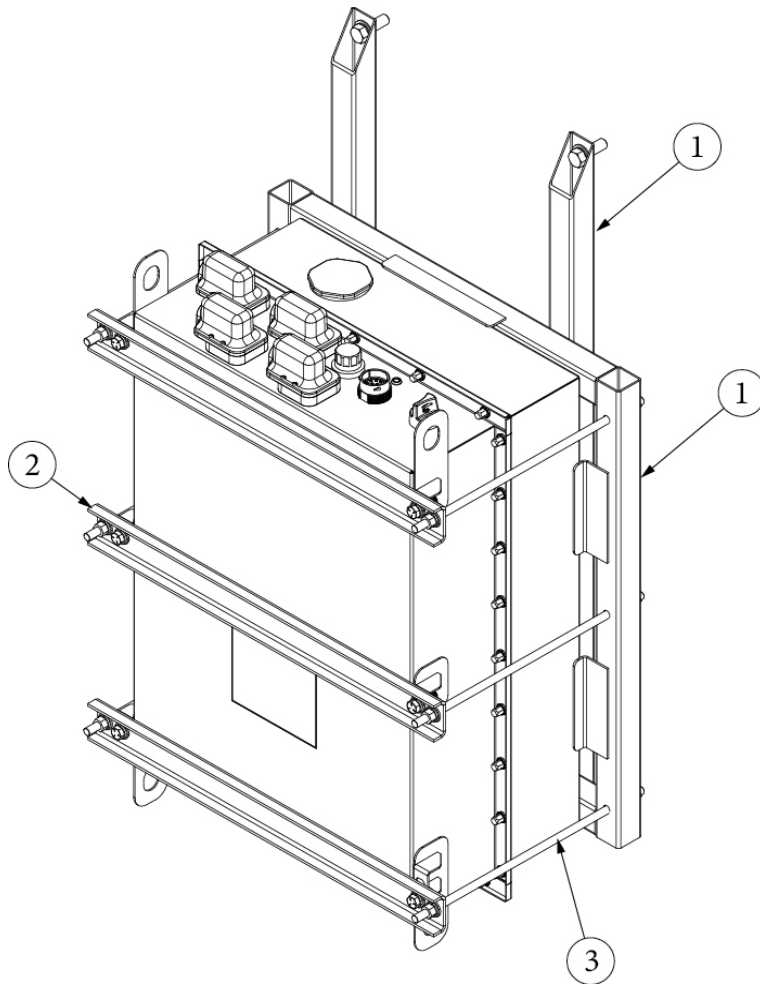
Install, Step And LI Battery (not for order/see parts below)

- |               |                                   |
|---------------|-----------------------------------|
| 1. 455851     | Battery Box                       |
| 2. 455852     | Tie Bar, Battery                  |
| 3. 455853     | Heat Shield, Battery              |
| 4. 455854     | Saddle Step                       |
| 5. 455855     | Reinforcement Bracket             |
| 6. 455857     | Battery Hold Down                 |
| 7. 455858     | Flag Bolt, 5/16-18                |
| 8. 455912     | Bracket, Step                     |
| 9. 455985-01  | Step Pad, RS Front                |
| 10. 455985-02 | Step Pad, CS Front                |
| 11. 204219    | Battery Box, Plastic, Lower       |
| 204220        | Battery Box, Plastic, Upper       |
| 386419        | Label, Lithium Battery Box        |
| 386552        | Label, Vented Battery Compartment |



# CHASSIS

## Battery Install, Cradle, E1 Package Option



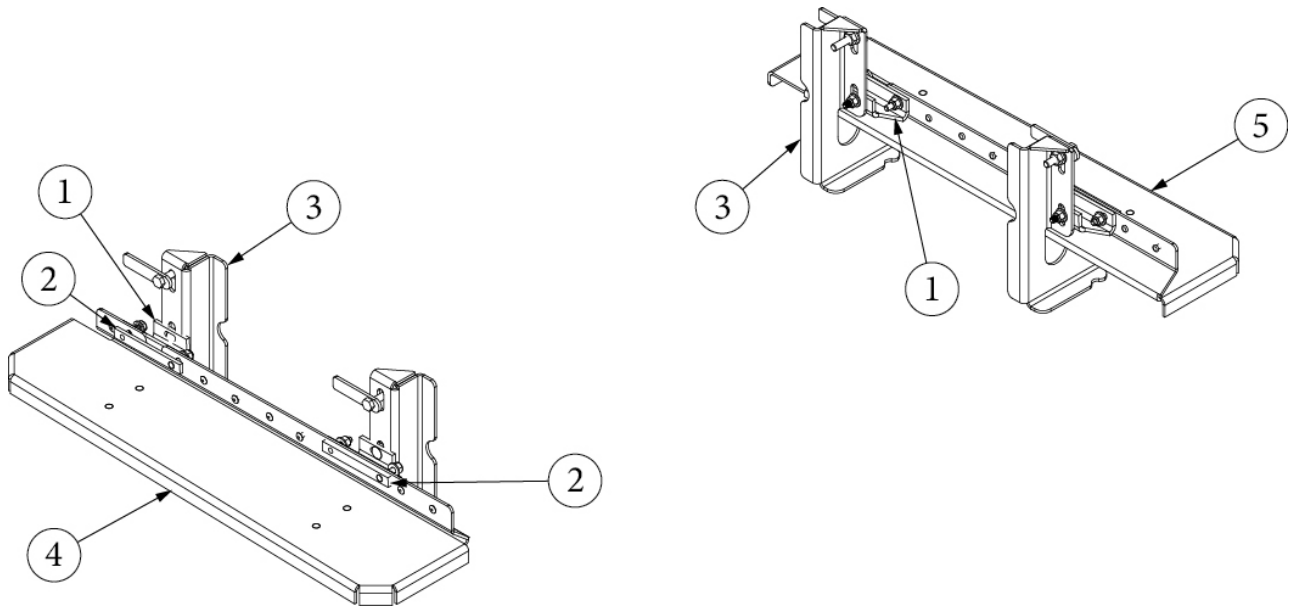
113962

Battery Install, E1 Package (not for order/see parts below)

- |           |                                    |
|-----------|------------------------------------|
| 1. 455920 | Weldment, Battery Mounting Cradle  |
| 2. 455896 | Channel, Volta Cradle Assembly     |
| 3. 345810 | Stud/Bolt, 3/8-16 x 14"            |
| 386581    | Label, Volta Battery               |
| 350228    | Hex Nut, 3/8-16                    |
| 350187    | Washer, Lock, Stainless, 3/8-16    |
| 300111-37 | Washer, Flat, 3/8"                 |
| 345272-05 | Bolt, Hex, 3/8-16 X 1.25"          |
| 345251    | Bolt, Hex, Grade 5, 1/2-13 x 1-1/2 |
| 300147    | Washer, Flat, .53" ID, 1.10" OD    |
| 300072-08 | Lock Washer                        |

# CHASSIS

## Step Support Frame, E1 Package Option



113898

Install, Step Frame, E1 Package (not for order/see parts below)

- |              |                                 |
|--------------|---------------------------------|
| 1. 455855    | Step, Reinforcement Bracket     |
| 2. 455854    | Saddle, Step                    |
| 3. 455912    | Bracket, Step                   |
| 4. 455913-01 | Plate, Step, RS Front           |
| 5. 455913-02 | Plate, Step, CS Front           |
| 320239       | 1/4-20 X 1" Gr 5 Carriage Bolt  |
| 300197       | Washer, 1/4 Screw Size          |
| 345236       | Locknut, 1/4-20 Nylon #25cnu-Az |
| 455858       | Flag Bolt, 5/16-18              |
| 330031-01    | Rivet, 3/16" X 5/8", SSD68SSBS  |
| 300111-31    | Washer, Flat 5/16in, Series N   |
| 350263-1     | Flange Nut, 5/16-18, Grade 8    |

## EXTERIOR DOORS

### Exterior Compartment Doors

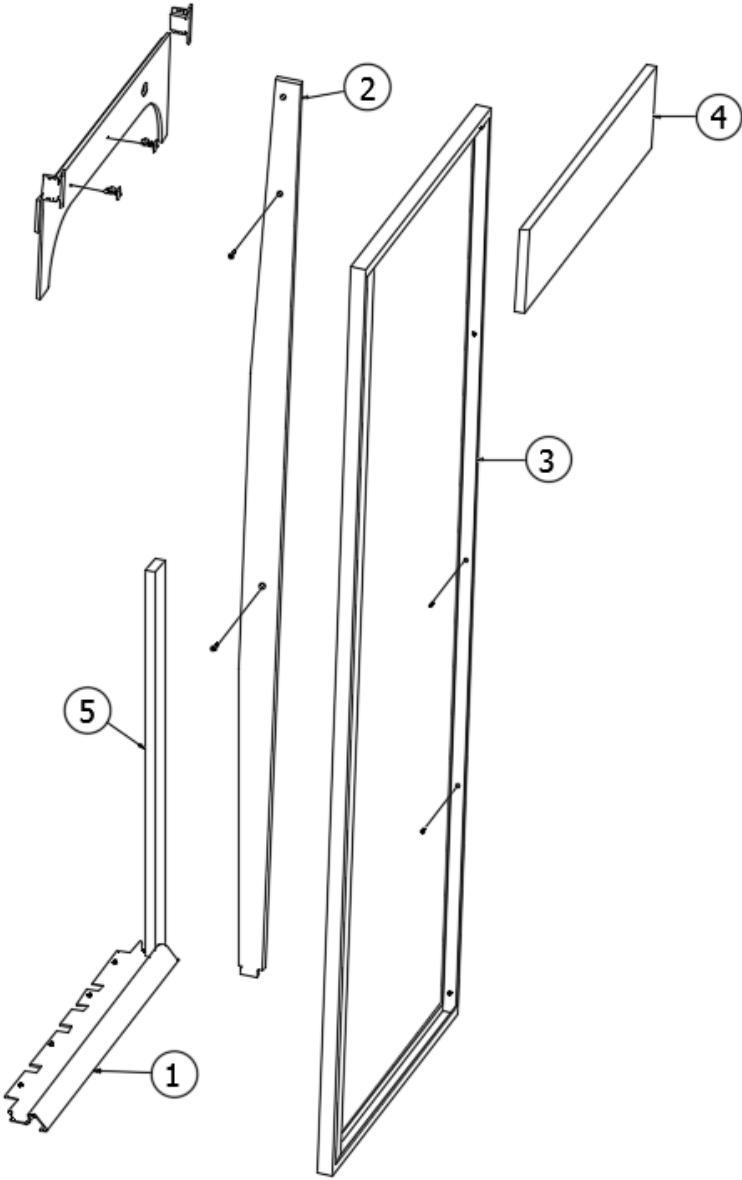
|           |   |
|-----------|---|
| 923283    | Compartment door assembly, Forward                      |
| 204012    | Compartment door, Forward                               |
| 923325    | Compartment door assembly, Aft                          |
| 204013    | Compartment door, Aft                                   |
| 923326    | Compartment door assembly, RS angled                    |
| 204014    | Compartment door, RS angled                             |
| 923327    | Compartment door assembly, CS angled aft                |
| 204015    | Compartment door, CS angled aft                         |
| 923328    | Compartment door, CS angled, Forward, E1 Package Option |
| 923328-01 | Compartment door, CS Angled, Forward                    |
| 204016    | Compartment door, CS angled forward, E1 Package Option  |
| 204016-01 | Compartment door, CS Angled Forward                     |
| 115694    | Extrusion, Door hinge                                   |
| 381435-02 | Hatch, Access cover                                     |
| 923460-01 | Flush Door-Atlas  |

### Entry Door

|            |  |
|------------|--|
| 135166     | Install, Main Door (not for order/see parts below)           |
| 112530     | Install, Entrance Door Blind (not for order/see parts below) |
| 372322     | Door, Main Entry, PTL Engineering                            |
| 372322-01  | Black Vinyl, Door  |
| 372322-02  | Plastic Trim, Door   |
| 372322-03  | Adhesive, Door   |
| 372322-04  | Seal, Door   |
| 372322-100 | Latch, Rotary, Door 009-192                                  |
| 115921     | Cutout, Entry Door Extrusion, 77.8"                          |
| 115692     | Extrusion, Hinge Body Rail, 190"                             |
| 360422     | Tape, 3M 2.5" X 36 yard                                      |
| 705029     | Blind, Entrance Door   |
| 320111     | Screw, #8 X 3/4" Stainless                                   |
| 115902     | Threshold, Main Door   |
| 802730     | Head knocker, Main door                                      |
| 970326     | Closeout, Door, Carbin Fabric Laminate                       |

EXTERIOR DOORS

Screen Door



112631 Sliding Screen Door Install (not for order/see parts below)

- 1. 115902 Threshold, Main door
  - 2. 968756 Closeout, Sliding screen door
  - 3. 372295 Sliding Screen Door
  - 4. 968777 Upper closeout, Screen door
  - 5. 968781 Closeout, Screen door
- 381228-02 Catch, Grabber door, 5LB

## WINDOWS

### Windows

|        |                                  |
|--------|----------------------------------|
| 372279 | Window, Top hinge, 23.63 x 41.63 |
| 372286 | Window, Top hinge, 17.63 x 28.75 |

## AWNINGS

### Awning

|           |   |
|-----------|---|
| 705031-01 | Awning, Slide-out cover                                       |
| 705031-05 | Awning, Armless, 4.5m, Carefree, Vertical Stripes, Tommy Aloe |
| 705031-08 | Extrusion, Roof mount, Mill finish, 171"                      |
| 705031-09 | Extrusion, Roof mount, Jet Black, 171"                        |
| 705031-10 | Extrusion, Awning Mounting, 15 3/4"                           |
| 705031-11 | Screw, Mounting Kit   |
| 705031-12 | Switch (In/Out - On/Off)                                      |
| 705031-13 | Fuse Holder   |
| 114290-01 | Extrusion, Awning/drip rail, 197.25"                          |
| 115886    | Non insert drip rail  |
| 513229    | Switch, Awning extend/retract                                 |
| 381667    | Drive ratchet, 3/8"   |
| 382109    | Extension, 3/8", 3" long                                      |

## WINDOW COVERINGS

### Shades

|           |                                   |
|-----------|-----------------------------------|
| 705054-01 | Roadside Slide Out Power Venetian |
| 705054-02 | Curbside Power Venetian           |
| 705054-03 | Galley Manual Tension Venetian    |
| 704736-04 | Remote, Somfy, 4 Channel          |
| 705029    | Blind, Entrance Door              |

### Cockpit Window Shades

|           |                                |
|-----------|--------------------------------|
| 704861    | Window Shade Kit-Cockpit       |
| 704861-01 | RS Window Shade For Cockpit    |
| 704861-02 | CS Window Shade For Cockpit Wi |
| 704861-03 | CS Window Shade For Cockpit    |
| 704861-04 | Carry Bag for Window Shade kit |

## ELECTRICAL, 110 VOLT

### Distribution Center

- 512547 Power Center, AC/DC, Black
- 514029 Power Center, 30a 110vac/12vdc, E1 Package Option

### Energy Management System

- 514366 Energy Management Display
- 512357-02 Control, Power, Energy Management System

### Shoreline Hookup

- 513797-01 Power inlet, 30 amp, SmartPlug
- 513809 Power cord, 30 amp, SmartPlug

### Inverter/Converter

- 512609 Magnum inverter/converter w/transfer switch, 1K watt
- 512609-04 Remote display module
- 512609-02 Sensor, Battery temperature

### Receptacles and USB Ports

- 511912 Wall plate, Single gang, Snap on, Chrome
- 512481-02 Receptacle, 20 amp, Single, Brown
- 513355 USB charger/HDMI/coax, Black
- 513331 USB power inlet w/poly fuse
- 511814-01 Receptacle, Duplex, Gray
- 511815-01 Receptacle, Duplex, Self-contained, Black
- 512741-05 Outlet, Exterior, 120 Volt
- 511287 Receptacle, Single, 15A

### Breakers, 110V

- 510564-01 Breaker, Bryant ,20 AMP
- 510564-02 Breaker Bryant 30 AMP
- 510564-04 Breaker, Type BRD, BD 20-20
- 510564-07 Breaker Bryant 15 GFI



## ELECTRICAL, 12 VOLT

### Battery

|           |                                   |
|-----------|-----------------------------------|
| 513811    | 12V Battery (LI System)           |
| 513827    | Battery Minder-12V 2/4/8A,120V    |
| 386420    | Battery Heater Switch Plate       |
| 513392    | Main disconnect w/remote operator |
| 513506    | Disconnect - Low Voltage          |
| 204219    | Battery box, Lower, Plastic       |
| 204220    | Battery box, Upper, Plastic       |
| 381806    | Insulation, #4 double sided, Foil |
| 455853    | Heat Shield, Battery              |
| 386419    | Label, Lithium battery box        |
| 386552    | Label, Vented battery compartment |
| 386556-08 | Label, QR code, Atlas             |

### Battery, E1 Package Option

|           |                             |
|-----------|-----------------------------|
| 514061-01 | Flex Pack 4, Battery, Volta |
|-----------|-----------------------------|

### Chassis & House Charging

|        |                     |
|--------|---------------------|
| 513827 | Battery Minder, 12V |
|--------|---------------------|

## ELECTRICAL, 12 VOLT

### Alternator, Balmar

|           |                                 |
|-----------|---------------------------------|
| 514390    | Alternator Kit, XTG-Series 250A |
| 514390-03 | Voltage Regulator, MC-618-AS250 |
| 513984    | Cable Kit, Alternator, Balmar   |
| 514302    | Belt, Alternator, Mercedes      |
| 514300    | Harness, Battery, Balmar        |

### Alternator, Secondary, E1 Package Option

|           |   |
|-----------|---|
| 135038-01 | Install, Volta Alternator (not for order/see parts below) |
| 514061-08 | Alternator, Volta (AWD)                                   |
| 514061-09 | Alternator Harness, Volta                                 |
| 382871    | Belt, Alternator, Serpentine, Volta                       |
| 514302    | Belt, Alternator, Mercedes                                |
| 514190    | Cable Kit, Alternator                                     |

### Volta Components, E1 Package Option

|           |                               |
|-----------|-------------------------------|
| 514061-01 | Flex Pack 4, Battery, Volta   |
| 514061-02 | Power Distribution Hub, Volta |
| 514061-03 | Display Screen, Volta         |
| 514061-04 | Push Button Assembly, Volta   |
| 514061-08 | Alternator, Volta (AWD)       |
| 514061-09 | Alternator Harness, Volta     |
| 514061-06 | External Harness, Volta       |
| 514061-07 | Bluetooth Kit, Volta          |

## ELECTRICAL, 12 VOLT

### Firefly System

|           |  |
|-----------|--|
| 514142-01 | G12 Main Board, 3010001                                |
| 514142-02 | Touchscreen, Color, Lyra, 301004, SW20(T), 7"          |
| 514142-03 | Touchscreen, Color, Lyra, 3010002, SW21, 5"            |
| 514142-04 | Backplane Assembly, Drop Tap, 70974                    |
| 514142-07 | Backplane Assembly, Drop Tap, G4 Terminator Tap, 70975 |
| 514142-09 | 2-Relay 120v Module W/ Connector & Pigtails, 70034a    |
| 514142-10 | Module Assembly A/C Power Monitor, 70039               |
| 514142-11 | Harness Assembly, A/C Power Monitor, Dual CTs 70039C2  |
| 514142-15 | (V7) G12 Black Label, 3010016                          |
| 514142-16 | Pre-Programmed Firefly Shade Module, 705303            |
| 514142-20 | Vegatouch Mira, 3010010                                |
| 514142-24 | 3010026, Relay, #2 Black Label                         |
| 514142-29 | AGS Warning Label                                      |
| 514505    | Adapter, Vegatouch                                     |

### Solar System

|           |   |
|-----------|---|
| 513957-01 | Solar panel, 100W, Merlin TBS-P0410WHLO, 46.10 x 21.45" |
| 513958-01 | Solar panel, 200W, Merlin TBS-P0830WHRO, 39.88 x 46.5"  |
| 513475-08 | Display-Control Blue Solar Charge Controller            |
| 513475-03 | CBL-BL SOL CNTRL-.9M-90 CONN                            |
| 513475-01 | Controller MPPT 150/35                                  |
| 513006    | Solar entry plate                                       |

### Solar System, E1 Package Option

|           |   |
|-----------|---|
| 513957-01 | Solar panel, 100W, Merlin TBS-P0410WHLO, 46.10 x 21.45" |
| 513958-01 | Solar panel, 200W, Merlin TBS-P0830WHRO, 39.88 x 46.5"  |
| 513935    | Solar Controller, Zamp, 8A Max                          |
| 513006    | Solar entry plate                                       |
| 513898    | Solar Port, Sidewall                                    |

## ELECTRICAL, 12 VOLT

### Breakers & Fuses, 12V

|            |                                      |
|------------|--------------------------------------|
| 510947-08  | Breaker, 12V DC, Type II, 12V8       |
| 510947-15  | Breaker, 12V DC, Type II, 12V15      |
| 510947-20  | Breaker, 12V DC, Type II, 12V20      |
| 510947-50  | Breaker, 12V DC, Type II, 12V50      |
| 500773-05  | Fuse, ATC, 12V DC, 5 amp             |
| 500773-07  | Fuse, ATC, 12V DC, 7.5 amp           |
| 500773-10  | Fuse, ATC, 12V DC, 10 amp            |
| 500773-15  | Fuse, ATC, 12V DC, 15 amp            |
| 500773-20  | Fuse, ATC, 12V DC, 20 amp            |
| 500773-30  | Fuse, ATC, 12V DC, 30 amp            |
| 512660-50  | Terminal fuse, 50A, Red              |
| 512660-200 | Terminal fuse, 30-200 Amp            |
| 512278-150 | Fuse, Type BF1-32, 150 amp           |
| 512661     | Fuse block terminal, 30-300A, Single |

### Cable Kits

|        |  |
|--------|--|
| 513984 | Cable kit, Main 12VDC                    |
| 514102 | Cable Kit, Main 12VDC, E1 Package Option |

### Tank Monitor System

|           |                                 |
|-----------|---------------------------------|
| 513069-01 | Flush mount monitor, panel only |
| 514051-01 | Tank Sensor, 12"                |
| 365417    | Tape, Extreme sealing, 3M       |
| 360389    | Rubberized Undercoating, 3M     |

### Rearview Monitor Camera

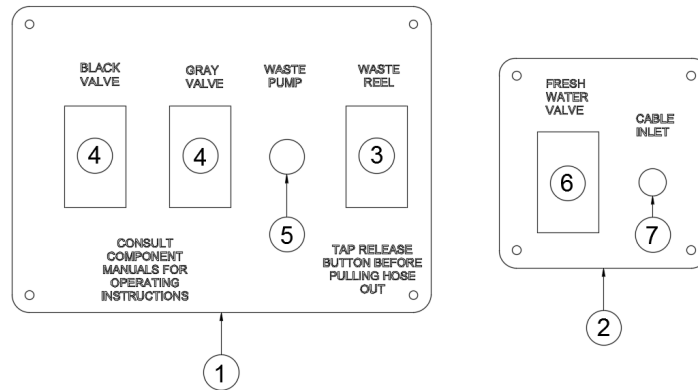
|            |   |
|------------|---|
| 513644     | Mirror/Display  |
| 513105     | Camera kit, L/R mirror integrated w/controller and cables |
| 513105-101 | Side mirror cap camera mounts                             |
| 513105-102 | Harness, Camera connection                                |
| 513105-103 | Camera switcher harness                                   |
| 513105-104 | Camera switcher   |
| 513105-105 | Side camera   |
| 513105-106 | Adapter harness, Front camera                             |
| 513031     | Camera, Third brake light                                 |
| 513197     | Cable, 5pin to RCA power cable, 10 meter                  |
| 513639     | Cable - 5 Pin Video                                       |

## ELECTRICAL, 12 VOLT

### Buzzer

512515 Buzzer, Low Current, Sonic, 10mA, 12V

### Switch Panels



- |   |  |
|---|--|
| <ul style="list-style-type: none"> <li>1. 386361</li> <li>2. 386339</li> <li>3. 513550</li> <li>4. 513128</li> <li>5. 602205-01</li> <li>6. 513079</li> <li>7. 510623</li> <li>    510623-01</li> </ul> | <ul style="list-style-type: none"> <li>Panel, Exterior Switches</li> <li>Water valve/Coax cover plate</li> <li>Switch, Spring centered, Retract/Release</li> <li>Switch, Momentary spring center to off w/light</li> <li>Switch, 20 Amp, Macerator</li> <li>Switch, Momentary w/light</li> <li>Coax connector</li> <li>Coax connector locking nut</li> </ul> |
|---|--|

### Switches

- |  |   |
|--|---|
| <ul style="list-style-type: none"> <li>513356</li> <li>513441</li> <li>705031-12</li> <li>512434</li> <li>513079</li> <li>513128</li> <li>513116</li> <li>513229</li> <li>513354</li> <li>602205-01</li> <li>514061-04</li> <li>513613</li> <li>512950-05</li> <li>513029-07</li> <li>513029-08</li> </ul> | <ul style="list-style-type: none"> <li>Switch, Step hold ON/OFF, TV lift UP/Down</li> <li>Controller, TV lift</li> <li>Switch (In/Out – On/Off), Awning</li> <li>Switch, ON/OFF, LP valve</li> <li>Switch, Momentary w/light</li> <li>Switch, Momentary spring center to off w/light</li> <li>Switch, Slide out/extend/retract</li> <li>Switch, Awning extend/retract</li> <li>Switch, Overhead door magnetic contact</li> <li>Switch, 20 Amp, Macerator</li> <li>Push Button Assembly, Volta, E1 Package Option</li> <li>Switch Assembly, DPDT, Main Disc. Light/Switch</li> <li>Start/Stop Switch &amp; LCD Meter, Generator</li> <li>Magnetic Switch, SPST, Gray, 3/8" Hole</li> <li>Magnetic Switch, DPDT, Gray, 3/8" Hole</li> </ul> |
|--|---|

## ELECTRICAL, 12 VOLT

### Interior Lights

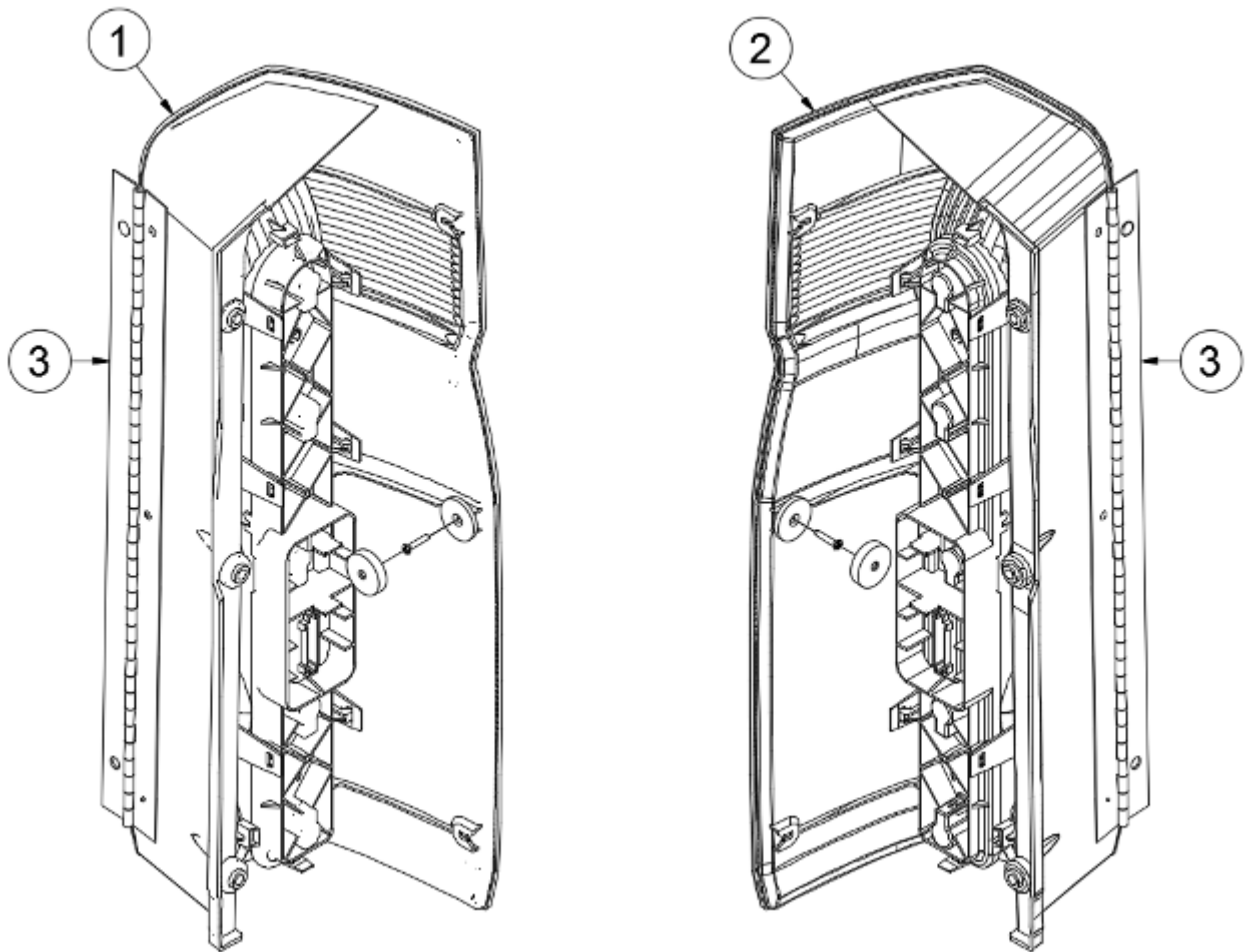
|           |  |
|-----------|--|
| 512659-01 | Tape light channel, 6'                         |
| 513103    | Lightbar w/switch, 16"                         |
| 513070    | Aisle light, Motion activated, Stainless Steel |
| 513072    | LED light, Luna diffused linear, 68"           |
| 513078    | Light, Threaded Docking                        |
| 513119    | Track for Luna lighting, Cut to 68"            |
| 514502    | Reading light, Flexible, LED, w/USB            |
| 514393    | Light, LED Strip, Under Galley                 |
| 514394    | Light, LED Strip, Under Entertainment Center   |
| 513743-36 | Light, LED flex tape, 35.4                     |
| 513743-53 | Light, Led flex tape, 53.1                     |
| 513747-23 | Light-LED Flex Tape 1/2" X 23.5"               |
| 513747-86 | Light-LED Flex Tape 1/2" X 86.75"              |
| 512987    | Spot-Light, Ceiling                            |

### Exterior Lights

|           |  |
|-----------|--|
| 512793    | LED porch light, Chrome                    |
| 513037    | Grab handle w/LED lights, Exterior         |
| 203358-01 | Extrusion, Black plastic                   |
| 203358-02 | Lens diffuser                              |
| 514479    | Light, License plate                       |
| 513078    | Light, Threaded docking w/mounting clip    |
| 513885    | LED marker/clearance light, Yellow         |
| 513886    | LED marker/clearance light, Red            |
| 513224    | Light w/motion sensor & ON/OFF/Auto switch |

## ELECTRICAL, 12 VOLT

### Taillight Assembly



513226 Mercedes Sprinter Taillight, Driver side  
513227 Mercedes Sprinter Taillight, Passenger side

- 1. 512953 Taillight, LH
- 2. 512954 Taillight, RH
- 3. 380203-02 Piano hinge, Aluminum, 2" open width
- 203838 Taillight inside cover, CS
- 203839 Taillight inside cover, RS
- 455255 Bracket, Taillight
- 115836 Bracket, CS taillight close-off
- 115837 Bracket, RS taillight close-off
- 365417 3M extreme sealing tape
- 203998 Bracket, Brake light
- 365435 Gasket, Taillight bracket

## ENTERTAINMENT

### Audio

|           |                                    |
|-----------|------------------------------------|
| 513949    | Radio, Fusion                      |
| 513949-01 | Cage, Single-DIN                   |
| 512492-04 | Antenna w/25' cable, Roof mount    |
| 513964    | Soundbar, JBL                      |
| 514209-3  | JBL Speaker, Stage 3 Series, 4"    |
| 514209-6  | Grill, JBL Speaker, 4"             |
| 513907    | Speaker/Subwoofer JBL Basspro Nano |
| 513907-01 | Volume knob, Subwoofer             |
| 514010-06 | Cable, Optical audio, 6'           |

### Video

|        |   |
|--------|---|
| 514030 | King Antenna, Omni Digital, OTA TV Antenna, OA1651-OE-1 |
| 511635 | Plate, Dual cable entry                                 |
| 512398 | Wall plate power supply                                 |
| 511534 | Dual coax plate, White                                  |
| 512406 | Connector, RG6 Hex compression                          |
| 512407 | Coax cable, RG6   |
| 511645 | "Y" Adapter - Male To 2-Female - RCA                    |



## ENTERTAINMENT

### TV and Entertainment Cabinet

|           |   |
|-----------|---|
| 690774    | Samsung TV, 43"                           |
| 513964    | Soundbar, JBL                             |
| 513821    | TV Lift-12V-Cass Hudson-ATL               |
| 455765    | Bracket, TV closeout                      |
| 204211    | Closeoff, TV lift                         |
| 512366-10 | HDMI cable, Male to male, 10'             |
| 512366-25 | HDMI cable, Male to Male, 25'             |
| 513356    | Switch, Step hold ON/OFF, TV lift UP/Down |
| 513441    | Controller, TV lift                       |
| 513441-01 | Wire harness, TV lift                     |
| 968680-01 | Entertainment Center                      |
| 969821-01 | Entertainment Center, E1 Package Option   |

### Connected Kit, Aftermarket

|           |   |
|-----------|---|
| 514215    | Router, Peplink-Max, Bri Mini, HW3            |
| 513637-12 | Peplink wifi/GPS/cellular antenna base, Black |
| 513637-02 | WiFi antenna mounting kit                     |
| 513637-14 | Harness, 3M, 2 WiFi, 1 GPS                    |
| 513495-AG | Wi-Fi switch plate                            |
| 513469    | Key switch, ON/OFF                            |

### Starlink Satellite

|        |  |
|--------|--|
| 135588 | Install, Starlink, Gen 3 (not for order/see parts below) |
| 513018 | Mount, Cable Tie, 4-way                                  |
| 511237 | Tie Cable, 7.88"   |
| 514532 | Starlink, High Performance Kit                           |
| 514533 | Router, Starlink, Gen 3                                  |
| 514537 | Gland, Vertical Cable Pass Thru                          |
| 514539 | Mount, Router, Starlink, Gen 3                           |
| 970501 | Starlink Router Shelf                                    |

## FLOOR COVERINGS

### Floor Covering

|           |  |
|-----------|--|
| 704351    | Flooring, Teak                                     |
| 703968    | Floor guard, Underbelly material, 102" wide, Black |
| 360282-04 | Glue, clear  |
| 365413    | Tape, Moisture barrier                             |
| 701538-01 | Carpet, Econolier Velour Black w/PSA back applied  |
| 704596    | Floor mat, Tommy Bahama                            |

## FURNITURE, INTERIOR DOORS AND MIRRORS

### Interior Doors

|        |                           |
|--------|---------------------------|
| 969696 | Bath door                 |
| 602616 | Shower door, Curved glass |

### Roof Locker Doors

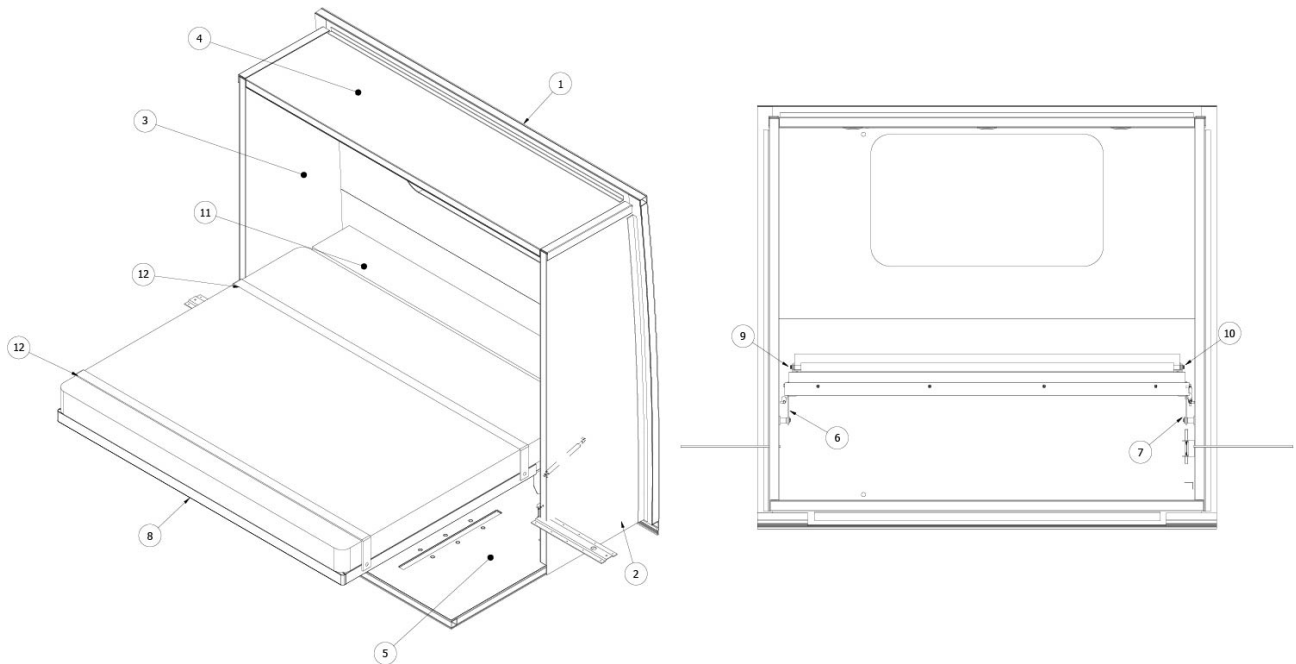
|             |                                      |
|-------------|--------------------------------------|
| 204031-07   | Frosted door, Tommy logo, Right side |
| 204031-08   | Frosted door, Tommy logo, Left side  |
| 802298-1639 | Door, Macchiato, 12.38 X 28.81"      |
| 802298-1839 | Door, Macchiato, 12.38 X 25.75"      |
| 802298-1239 | Door, Macchiato, 12.38 x 17.38"      |
| 802298-1939 | Door, Macchiato, 12.38" X 34.62"     |

### Mirrors

|             |                                 |
|-------------|---------------------------------|
| 372203-15   | Safety glass, Mirrored          |
| 385940-02   | Mirror pull, Chrome             |
| 203963      | Mirror, Vanity visor            |
| 371468-01   | Mirror, Tommy, 1/8" x 38" x 15" |
| 802326-0039 | Mirror Frame, Tommy             |
| 371469-01   | Mirror, Angled, Bar, Top        |
| 371469-02   | Mirror, Angled, Bar, Bottom     |

## FURNITURE, LOUNGE

### Murphy Bed



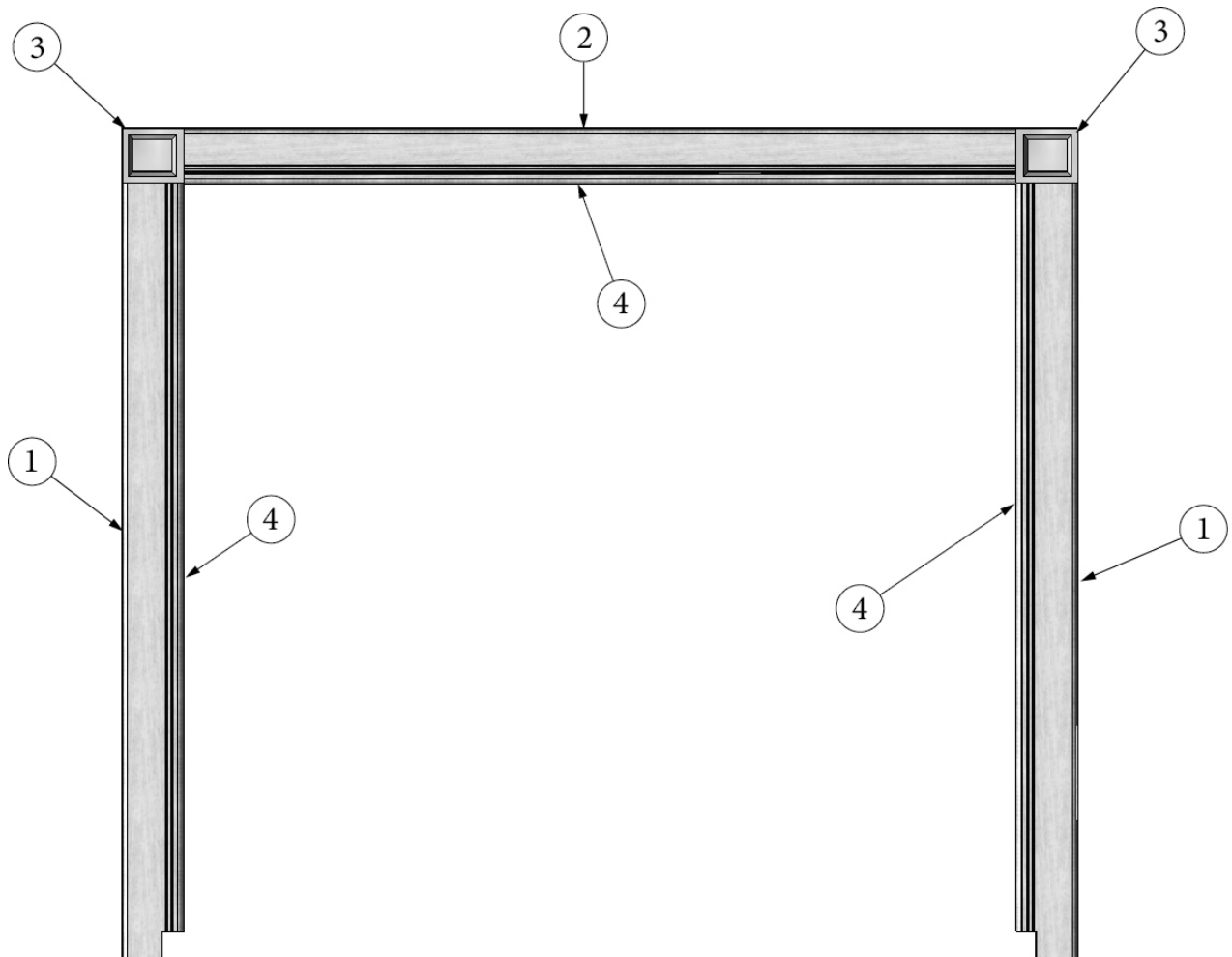
112520-01

Murphy Bed Install (not for order/see parts below)

- |               |                                      |
|---------------|--------------------------------------|
| 1. 923268     | Slide-out room assembly              |
| 2. 923271     | Slide-out forward wall assembly      |
| 3. 923272     | Slide-out aft wall assembly          |
| 4. 923273     | Slide-out roof assembly              |
| 5. 923492     | Slide-out floor assembly             |
| 6. 455190-01  | Murphy bed lift, LH                  |
| 7. 455442     | Murphy bed hinge, RH                 |
| 8. 968846     | Murphy bed frame/wall                |
| 9. 455140-01  | Pillow cushion bracket, LH           |
| 10. 455140-02 | Pillow cushion bracket, RH           |
| 11. 968514    | Flip down pillow support cushion     |
| 12. 704405    | Strap, Secure Murphy bed mattress    |
| 371468-01     | Mirror, Tommy, 1/8" x 38" x 15"      |
| 455234        | Angle, Top slide-out                 |
| 411041        | Power slide-out system, Schwintek    |
| 513098        | Slide-out room controller, Schwintek |
| 382390        | Gas spring w/fittings                |
| 455350        | Murphy bed frame, Aluminum           |
| 99900P-2224   | Froli spring mat                     |
| 455803        | Bed Stop, Floor Mounted Bracket      |
| 382759        | Bumper, Bed Stop, 3/4" OD            |

## FURNITURE, LOUNGE

### Facia, Hardwood, Slide-out/Murphy Bed



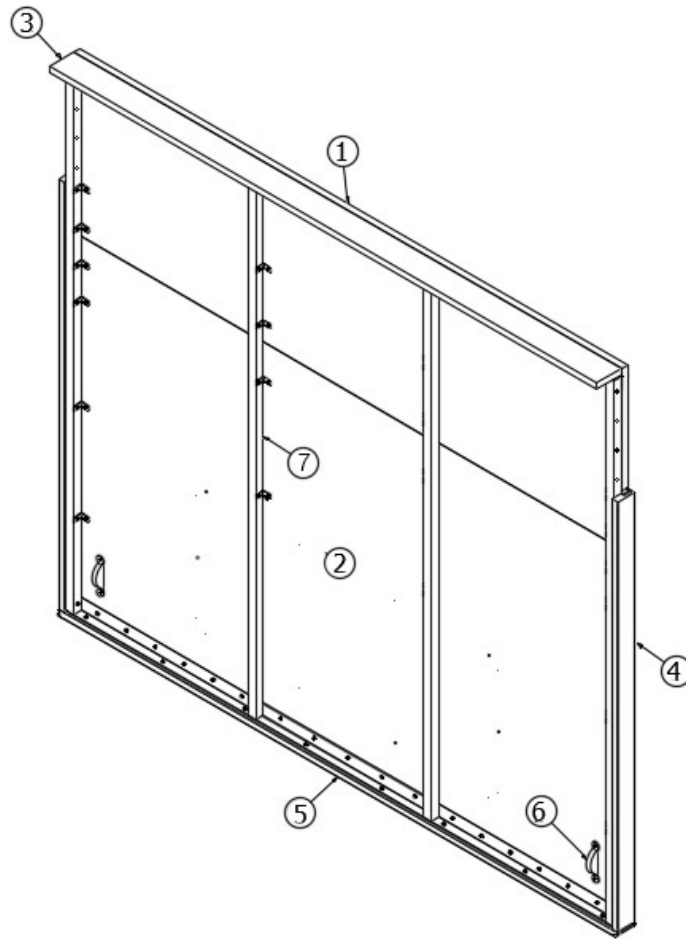
112407

Facia, Hardwood, Slide-out

- |                |                                       |
|----------------|---------------------------------------|
| 1. 802147-0039 | Fascia W/Groove, Macchiato, 5.5 x 80" |
| 2. 802175-0039 | Fascia W/Groove, Macchiato, 5 x 80"   |
| 3. 802724-0039 | Corner Block, Macchiato               |
| 4. 800571-0039 | Molding, Flat, Macchiato, .52"        |
| 116468         | Fascia Trim Top, Galvanized steel     |
| 116469         | Fascia Trim Side, Galvanized steel    |
| 320035         | Screw, #8 x 1/2 Phillips, Type A      |
| 360422         | Tape, 3M, 2.5" x 36 yard              |

## FURNITURE, LOUNGE

### Murphy Bed Frame and Wall



968846

Murphy bed frame/wall

- 1. 968846&000118CE
- 2. 968846&000218CE
- 3. 968846&000318BB
- 4. 802325-0039
- 5. 802324-0039
- 6. 382420
- 7. 455350
- 381610-02
- 371468-01
- 802326-0039

- Panel, 20.268 x 73.25
- Panel, 42.88 x 73.25
- Panel 2.25 x 71
- Trim- Murphy Bed Sides
- Trim- Murphy Bed End
- Pull, Concealed
- Murphy Bed Frame-Alum
- Cover Cap Plas. European Brown
- Mirror, Tommy, 1/8" x 38" x 15"
- Mirror Frame



## FURNITURE, LOUNGE

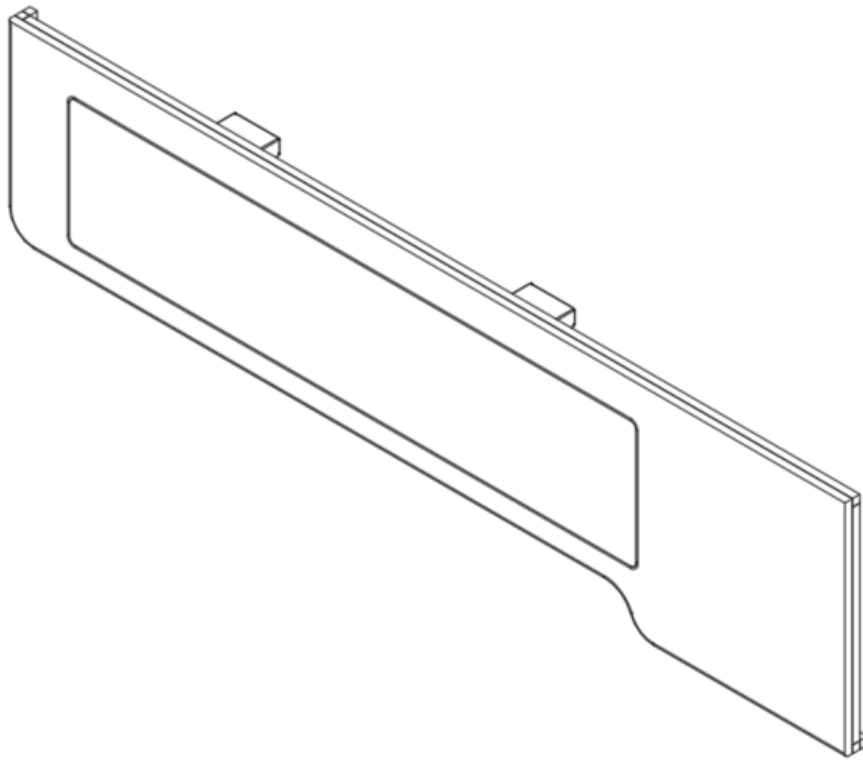
### Forward RS and CS Wall

|              |  |
|--------------|--|
| 112419-01    | RS and CS Wall Install (not for order/see parts below) |
| 1. 998265-01 | Cover, RS Cab Corner Closeouts                         |
| 2. 998265-02 | Cover, CS Cab Corner Closeouts                         |
| 3. 923349    | Filler strip, RS                                       |
| 4. 923348    | Filler strip, CS                                       |
| 5. 700811    | Button, Fabric covered                                 |
| 700813       | Button, Nail Bottom                                    |
| 6. 115833    | Front, RS forward interior corner wall                 |
| 7. 969669-01 | Assembly, Front Overhead Locker                        |
| 104408       | Horizontal rib, 48"                                    |
| 968536       | Crosscar cab closeout                                  |
| 704088-02    | Fabric, Suede, Sarandave Impala, w/Foam backing        |
| 704088       | Fabric, Suede, Sarandave Impala                        |



## FURNITURE, LOUNGE

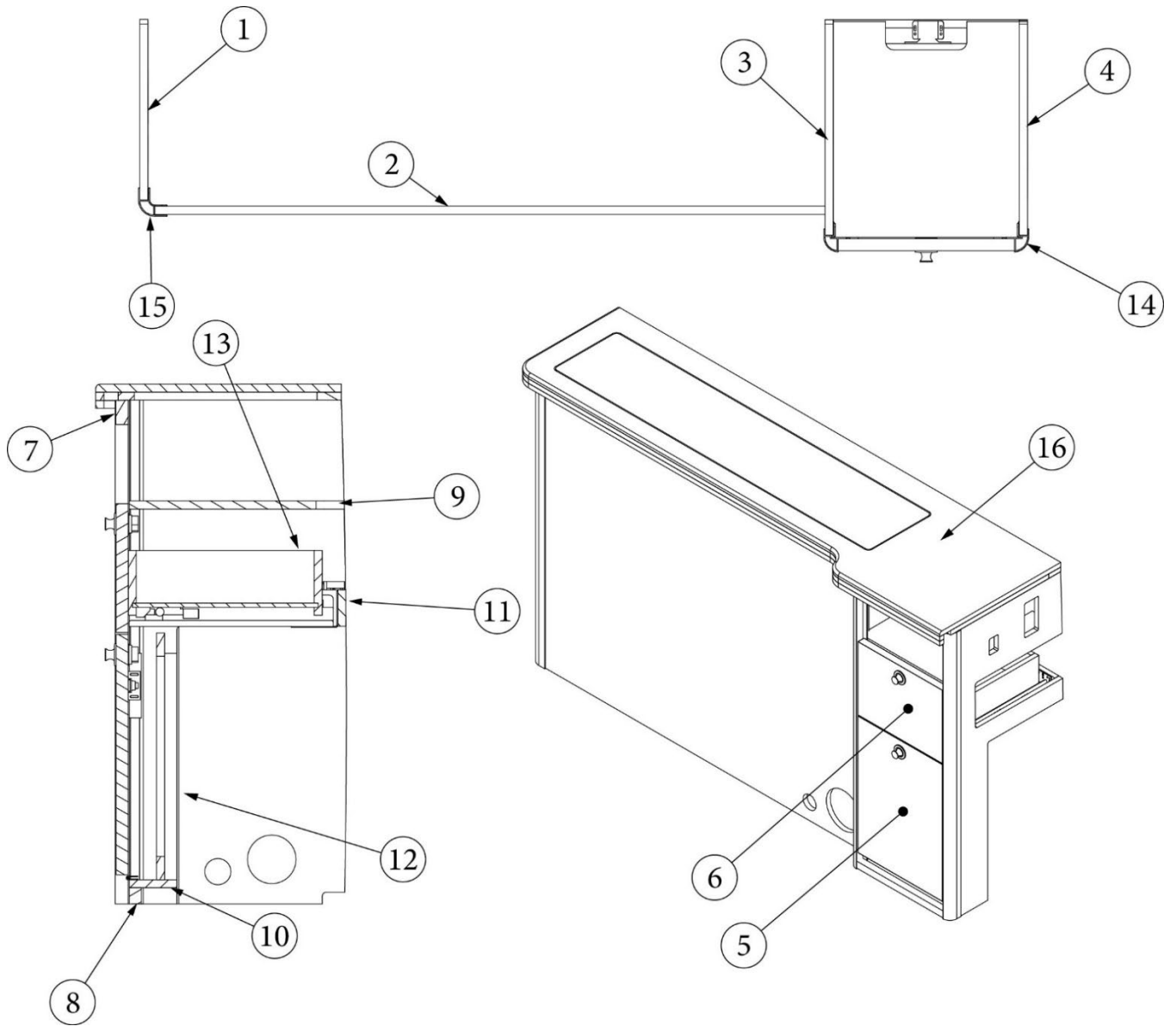
### Entertainment Center Top



|            |   |
|------------|---|
| 602460-02  | Top, Entertainment center, Verano White |
| 602460-100 | Hinge Kit                               |
| 602460-101 | Bungee, w/2 Screws                      |

# FURNITURE, LOUNGE

## Entertainment Center



Parts Listed on Next Page

## FURNITURE, LOUNGE

### Entertainment Center

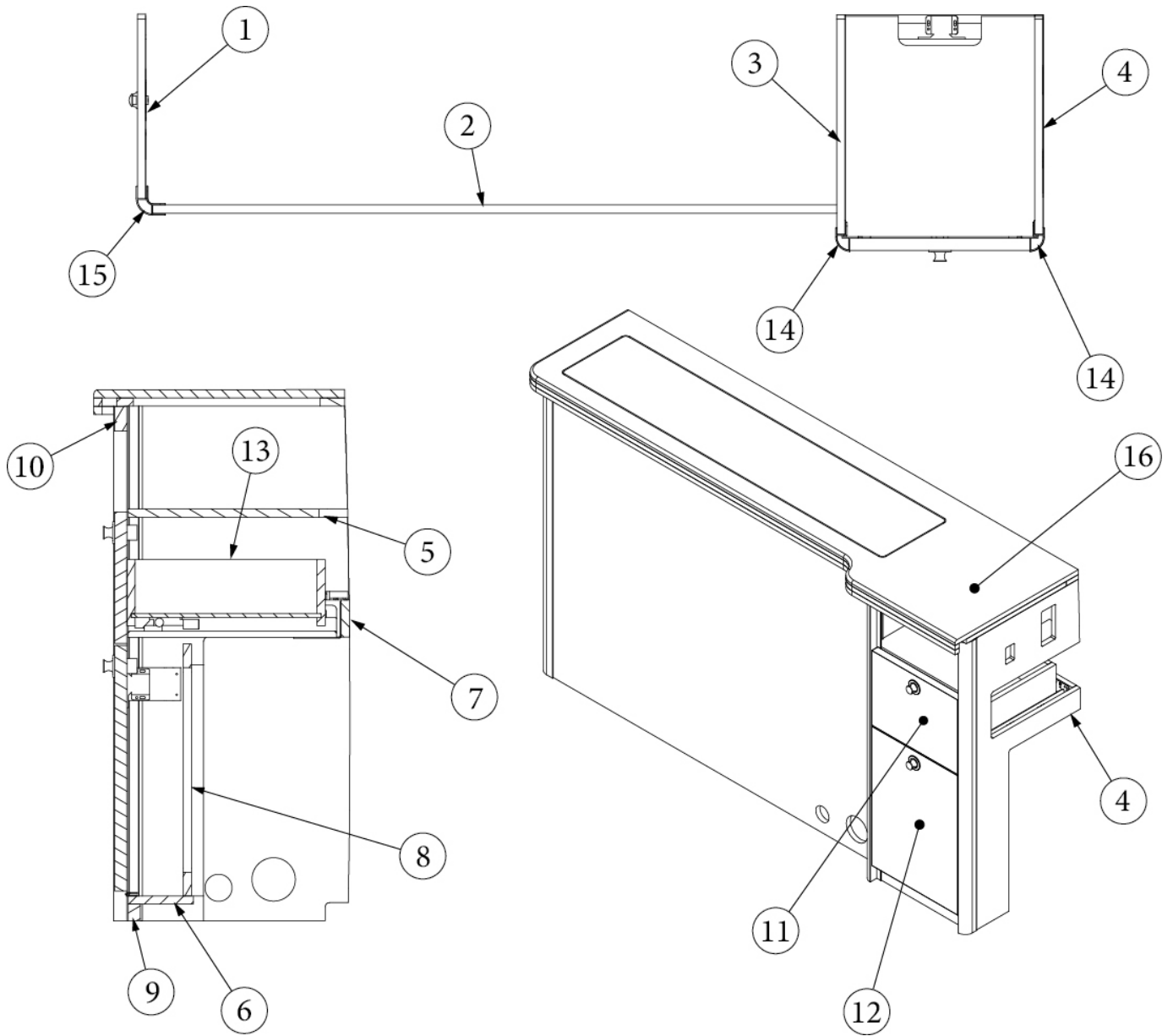
968680-01

Entertainment Center

- |                     |   |
|---------------------|---|
| 1. 968680&010112BB  | Pre laminate, 10.81 x 31.13"            |
| 2. 968680&010212BB  | Pre laminate, 41.25 x 31.13"            |
| 3. 968680&010312BB  | Pre laminate, 12.97 x 31.13"            |
| 4. 968680&010412BB  | Pre laminate, 12.97 x 31.03"            |
| 5. 968680&012418BB  | Pre laminate, 10.58 x 14.85"            |
| 6. 968680&012318BB  | Pre laminate, 10.58 x 7.95"             |
| 7. 968680&010718BB  | Pre laminate, 10.95 x 1.50"             |
| 8. 968680&010918BB  | Pre laminate, 11.31 x 1"                |
| 9. 968680&001012BB  | Pre laminate, 13.29 x 11.45"            |
| 10. 968680&011112BB | Pre laminate, 3.95 x 11.45"             |
| 11. 968680&011212BB | Pre laminate, 2.25 x 11.45"             |
| 12. 968680&011312BB | Pre laminate, 11.20 x 15.25"            |
| 13. 968224-08       | Drawer box, 4 x 12                      |
| 14. 116394-01       | Corner trim, Aluminum                   |
| 15. 116395-01       | Extrusion, 1" radius corner             |
| 16. 602460-02       | Top, Entertainment center, Verano White |
| 382820-02           | Drawer slide, Selfclose, 12"            |
| 382820-06           | Clips, Adjustable undermount slides     |
| 382820-07           | Bracket, Rear mounting                  |
| 382125              | Piano hinge, Clear anodized             |
| 115871              | Standoff bracket w/mount holes          |
| 381228-02           | Catch, Grabber door, 5LB                |
| 382059-02           | Knob, Push/pull, Nickel                 |
| 365412-01           | Edgebanding, Macchiato, 5/8"            |
| 365412-02           | Edgebanding, Macchiato, 15/16"          |
| 602460-100          | Hinge Kit                               |
| 602460-101          | Bungee, w/2 Screws                      |

# FURNITURE, LOUNGE

## Entertainment Center, E1 Package Option



Parts Listed on Next Page

## FURNITURE, LOUNGE

### Entertainment Center, E1 Package Option

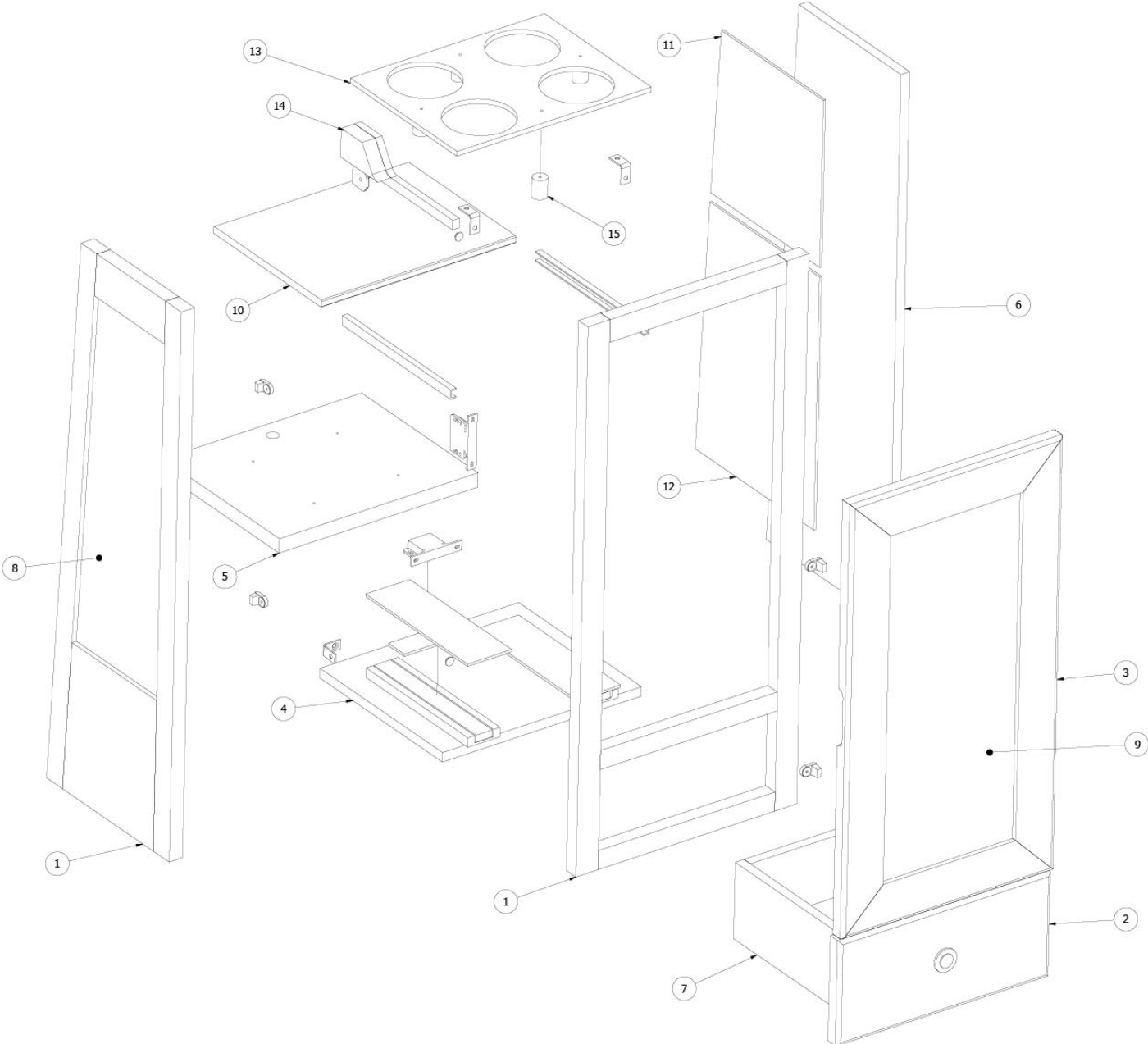
969821-01

Entertainment Center, E1 Package Option

- |                     |   |
|---------------------|---|
| 1. 969821&000112BB  | Pre laminate, 10.81 x 31.13"            |
| 2. 969821&000212BB  | Pre laminate, 41.25 x 31.13"            |
| 3. 969821&000312BB  | Pre laminate, 12.97 x 31.13"            |
| 4. 969821&000412BB  | Pre laminate, 12.97 x 31.03"            |
| 5. 969821&000512BB  | Pre laminate, 10.58 x 14.85"            |
| 6. 969821&000612BB  | Pre laminate, 10.58 x 7.95"             |
| 7. 969821&000712BB  | Pre laminate, 10.95 x 1.50"             |
| 8. 969821&000812BB  | Pre laminate, 10.95 x 0.69"             |
| 9. 969821&000918BB  | Pre laminate, 11.31 x 1"                |
| 10. 969821&001018BB | Pre laminate, 13.29 x 11.45"            |
| 11. 969821&001318BB | Pre laminate, 3.95 x 11.45"             |
| 12. 969821&001418BB | Pre laminate, 2.25 x 11.45"             |
| 13. 968224-08       | Drawer box, 4 x 12                      |
| 14. 116394-01       | Corner trim, Aluminum                   |
| 15. 116395-01       | Extrusion, 1" radius corner             |
| 16. 602460-02       | Top, Entertainment center, Verano White |
| 382820-02           | Drawer slide, Selfclose, 12"            |
| 382820-06           | Clips, Adjustable undermount slides     |
| 382820-07           | Bracket, Rear mounting                  |
| 382125              | Piano hinge, Clear anodized             |
| 115871              | Standoff bracket w/mount holes          |
| 381228-02           | Catch, Grabber door, 5LB                |
| 382059-02           | Knob, Push/pull, Nickel                 |
| 365412-01           | Edgebanding, Macchiato, 5/8"            |
| 365412-02           | Edgebanding, Macchiato, 15/16"          |
| 690797-10           | Sensor, Temperature, Elwell             |
| 690797-11           | Cover, Temp sensor                      |

# FURNITURE, LOUNGE

## Liquor Cabinet Assembly



Part Numbers on Next Page

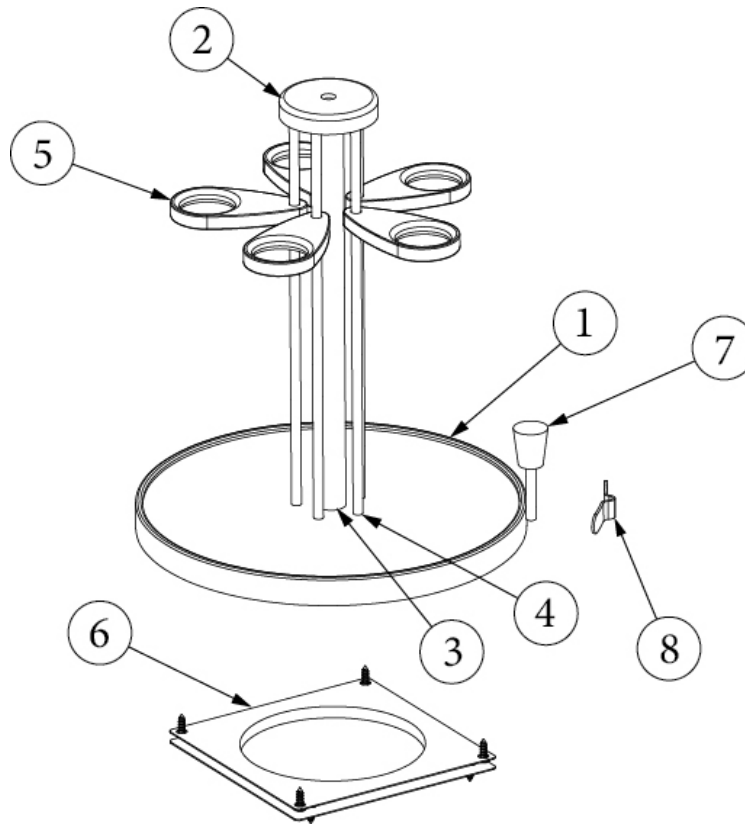
## FURNITURE, LOUNGE

### Liquor Cabinet Assembly

|                    |                                       |
|--------------------|---------------------------------------|
| 968826             | Liquor Cabinet Assembly               |
| 1. 802336-0039     | Face Frame, Liquor Cabinet            |
| 2. 802338-0139     | Drawer Face, Smooth 5.5 x 12.0        |
| 3. 802337-0139     | Door Frame – 12.0 x 22.75             |
| 4. 968826&000112BB | Panel, 11.63 x 9.88                   |
| 5. 968826&000218BB | Panel, 11.25 x 9.13                   |
| 6. 968826&000312BB | Pre laminate, 9.63 x 28.75            |
| 7. 968854-01       | Drawer Box                            |
| 8. 204040          | Acrylic, Frosted, Angled              |
| 9. 204039-01       | Acrylic Clear, 1/8" x 8.38 x 19.13    |
| 10. 204038         | Acrylic Clear, 8.5 x 11               |
| 11. 371469-01      | Mirror, Angled                        |
| 12. 371469-02      | Mirror, Angled                        |
| 13. 204041         | Acrylic Clear Tumbler Holder          |
| 14. 802339-0039    | Filler - Liquor Cabinet, macchiato    |
| 15. 802341-0039    | Wood standoff, Macchiato              |
| 968883             | Assembly, Rotating Bottle Rack        |
| 382059-02          | Knob, Push/Pull, Black Nickel         |
| 381400-02          | Slide Drawer                          |
| 381228-02          | Black Catch Grabber                   |
| 381688             | Bumpons                               |
| 382747             | Hinge-Grass Face Frame                |
| 115612             | Extrusion channel 3/8" Satin          |
| 380041             | Brace 1" Stanley Corner               |
| 385963             | Bracket MTG. Angle Lambrequin         |
| 345773-01          | Retainer clip, Glass door             |
| 345773-02          | Retainer clip insert, Glass door, .31 |
| 345773-03          | Retainer clip insert, Glass door, .45 |

## FURNITURE, LOUNGE

### Rotating Bottle Rack, Liquor Cabinet Assembly



112824  
968883

Install, Rotating Bottle Rack (not for order/see parts below)  
Assembly, Rotating Bottle Rack

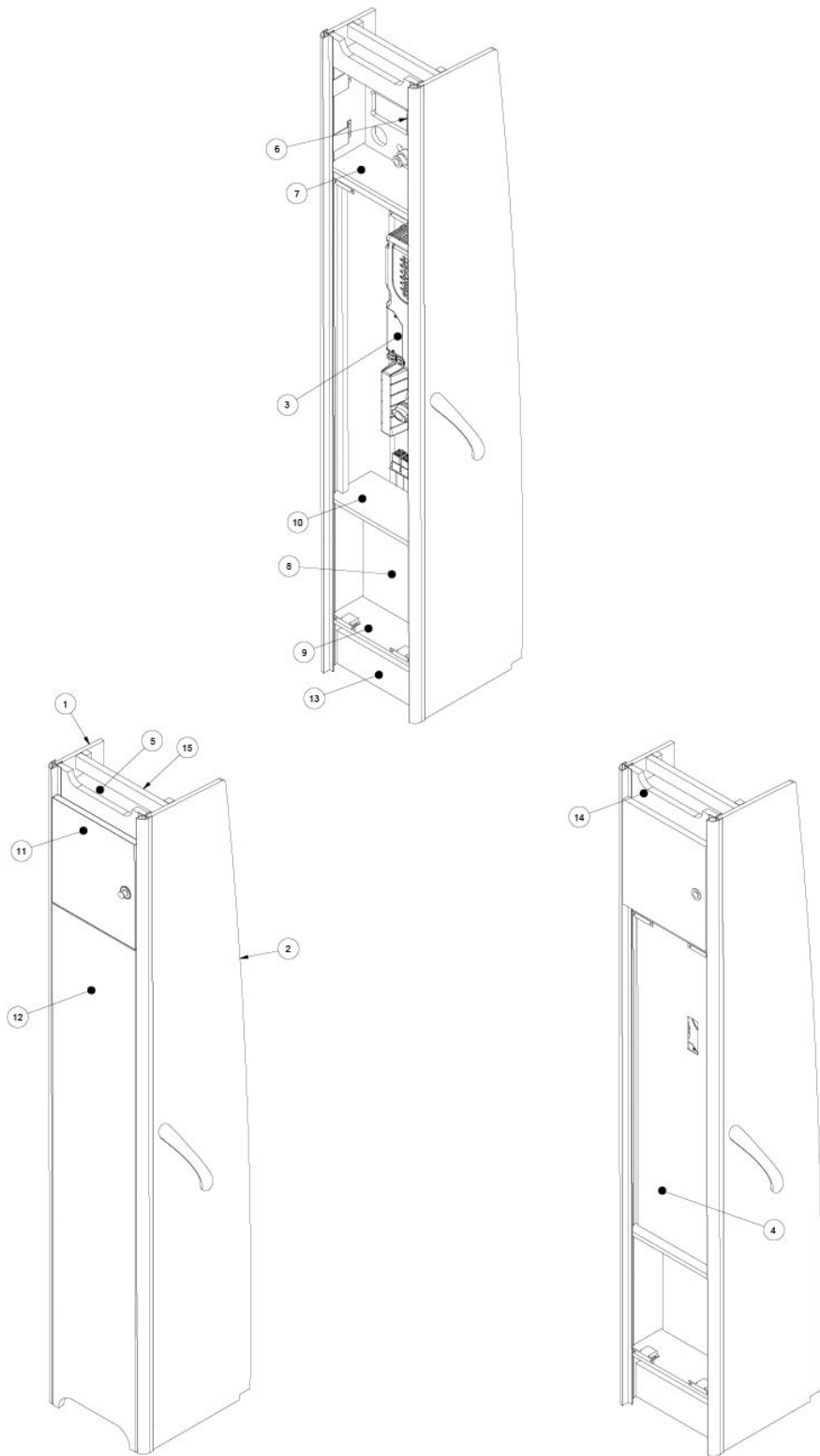
1. 802348-0039
  2. 802351-0039
  3. 802350-0039
  4. 115042
  5. 802354
  6. 382625
  7. 802355-0039
  8. 704587
- 320035  
345688

Base, Rotating Bottle Rack, Macchiato  
Top, Rotating Bottle Rack, Macchiato  
Rod, Dowel, Macchiato, .75 x 11.00"  
Rod, Aluminum, .25" x 6'  
Collar, Bottle Neck  
Turntable, 6" Steel #1544t1  
Pin, Bottle Rack Lock, Macchiato  
Strap, Leather  
Screw, 8x1/2, Ph Type A Phil Wd  
Nail, Upholstery, Oil Rubbed



FURNITURE, LOUNGE

Corner Electronics Cabinet



Parts Listed on Next Page

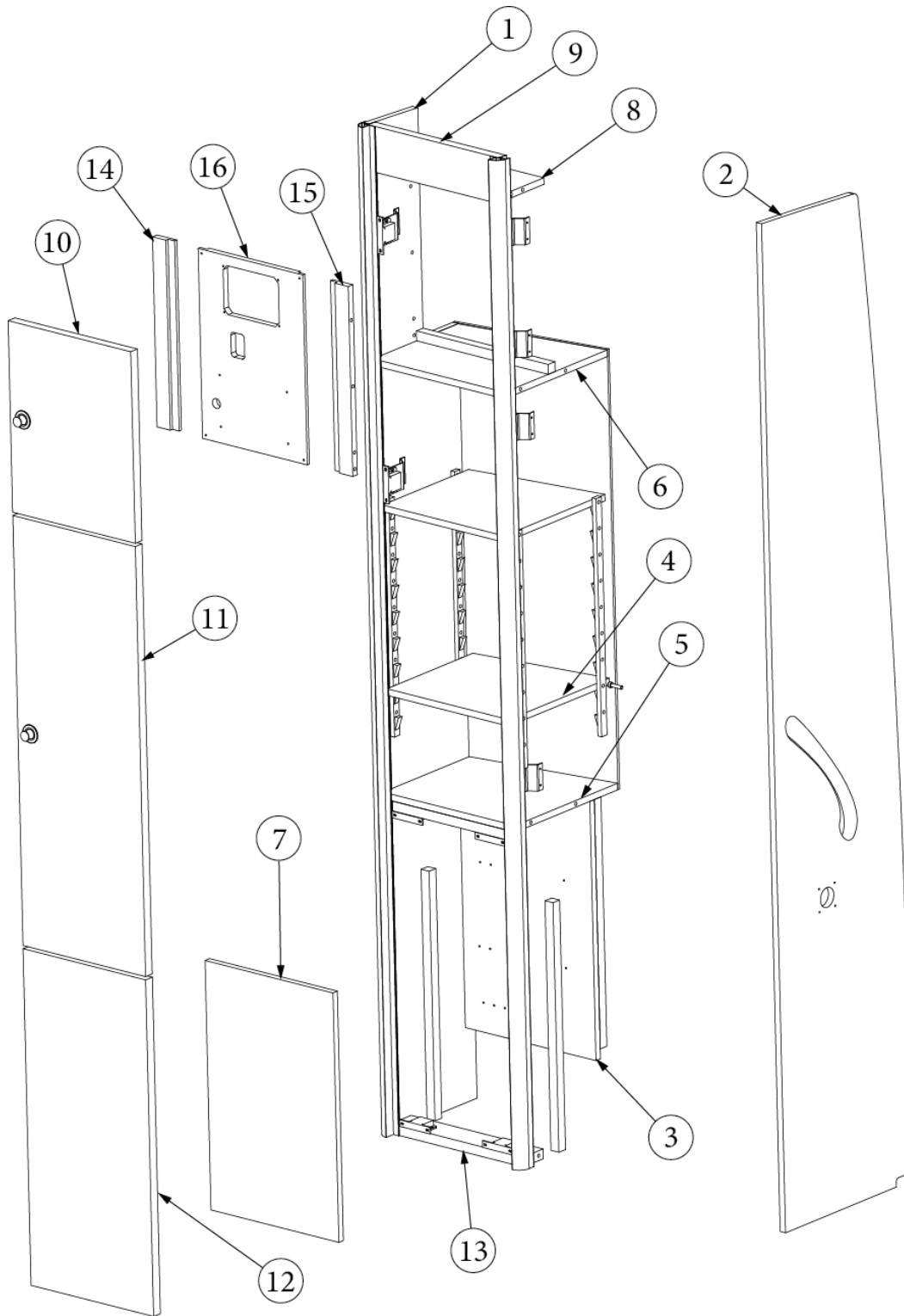
## FURNITURE, LOUNGE

### Corner Electronics Cabinet

|                     |                                      |
|---------------------|--------------------------------------|
| 968595-01           | Electric Cabinet                     |
| 1. 968595&010112BB  | Panel, 9.47 X 76.93                  |
| 2. 968595&010212BB  | Panel, 14.06 X 76.93                 |
| 3. 968659           | Inverter stand                       |
| 4. 968595&013103BE  | Panel, 11.438 X 34.75                |
| 5. 968595&013812BB  | Panel, 5.25 X 12.37                  |
| 6. 968595&010612BB  | Panel, 12.0 X 12.0                   |
| 7. 968595&010712BB  | Panel, 6.00 X 12.37                  |
| 8. 968595&010812BB  | Panel, 13.75 X 12.00                 |
| 9. 968595&010912BB  | Panel, 5.27 X 12.37                  |
| 10. 968595&011012BB | Panel, 6.00 X 12.37                  |
| 11. 968595&016018BB | Panel, 11.50 X 19.11                 |
| 12. 968595&011218BB | Panel, 11.50 X 55.88                 |
| 13. 968595&011318BB | Panel, 4.00 X 12.38                  |
| 14. 968595&011418BB | Panel, 3.50 X 12.24                  |
| 15. 968595&013918BB | Panel, 1.50 X 12.38                  |
| 365412-01           | Edgebanding, 5/8", Macchiato         |
| 365412-02           | Edgebanding, 15/16", Macchiato       |
| 381228-02           | Catch, Grabber door, 5LB             |
| 382059-02           | Knob, Push/pull, Black Nickel        |
| 381607-12           | Baseplate, Grass, 9.5 x 37/32        |
| 381607-18           | Hinge, Nickel Plated, 110° Swing     |
| 381607-110          | Caps, Cover, Grass                   |
| 512960              | Grab handle, Unlighted               |
| 116394-01           | Corner trim, Aluminum                |
| 115871              | Standoff bracket w/mount holes       |
| 381527              | Shelf Strip, Speedy                  |
| 701538-01           | Carpet, Econoliner, PSA backing, 48" |

# FURNITURE, LOUNGE

## Corner Electronics Cabinet, E1 Package Option



Parts Listed on Next Page

## FURNITURE, LOUNGE

### Corner Electronics Cabinet, E1 Package Option

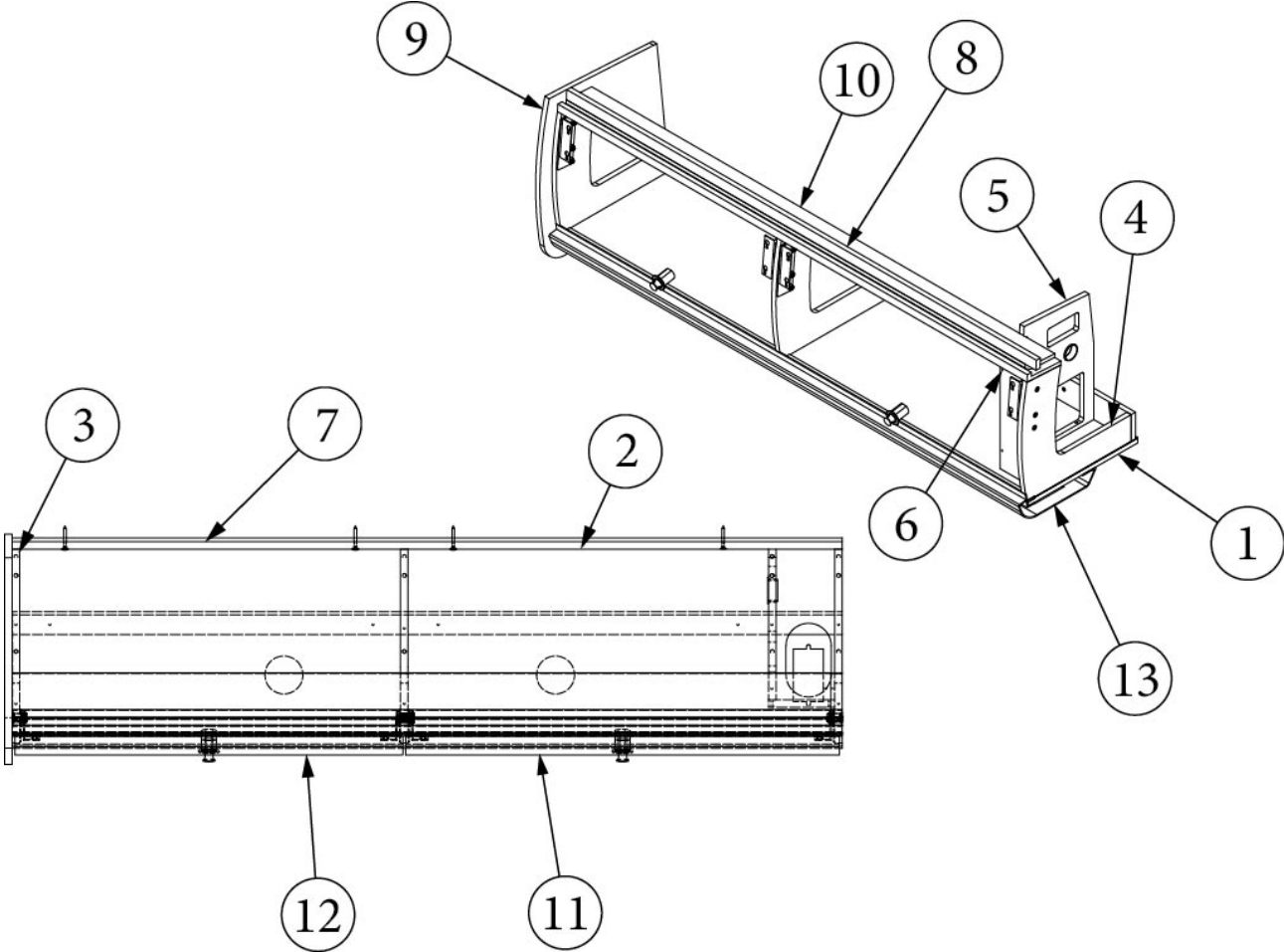
969813-01

Electric Cabinet, E1 Package Option

|                     |                                      |
|---------------------|--------------------------------------|
| 1. 969813&000112BB  | Pre laminate, 9.47 x 76.85"          |
| 2. 969813&000212BB  | Pre laminate, 14.17 x 76.85"         |
| 3. 969813&000312BB  | Pre laminate, 12.25 x 19.75"         |
| 4. 969813&000512BB  | Pre laminate, 11.43 x 11.25"         |
| 5. 969813&000612BB  | Pre laminate, 12.37 x 11.5"          |
| 6. 969813&000712BB  | Pre laminate, 12.37 x 11.5"          |
| 7. 969813&000812BB  | Pre laminate, 12 x 19"               |
| 8. 969813&000912BB  | Pre laminate, 12.37 x 4.14"          |
| 9. 969813&001018BB  | Pre laminate, 12.24 x 3.5"           |
| 10. 969813&001518BB | Pre laminate, 11.5 x 14.6"           |
| 11. 969813&001618BB | Pre laminate, 11.5 x 32.75"          |
| 12. 969813&001318BB | Pre laminate, 11.5 x 25.63"          |
| 13. 969813&001418BB | Pre laminate, 12.38 x 2.25"          |
| 14. 969813&003812BB | Pre laminate, 1.87 x 14.47"          |
| 15. 969813&003912BB | Pre laminate, 1.87 x 14.47"          |
| 16. 969813&004112BB | Pre laminate, 9.81 x 14.47"          |
| 365412-01           | Edgebanding, 5/8", Macchiato         |
| 365412-02           | Edgebanding, 15/16", Macchiato       |
| 381228-02           | Catch, Grabber door, 5LB             |
| 381607-12           | Baseplate, Grass, 9.5 x 37/32        |
| 381607-18           | Hinge, Nickel Plated, 110° Swing     |
| 381607-110          | Caps, Cover, Grass                   |
| 382059-02           | Knob, Push/pull, Black Nickel        |
| 512960              | Grab handle, Unlighted               |
| 116394-01           | Corner trim, Aluminum                |
| 115871              | Standoff bracket w/mount holes       |
| 381527              | Shelf Strip, Speedy                  |
| 701538-01           | Carpet, Econoliner, PSA backing, 48" |

FURNITURE, LOUNGE

Roof Locker, CS



Parts Listed on Next Page

## FURNITURE, LOUNGE

### Roof Locker, CS

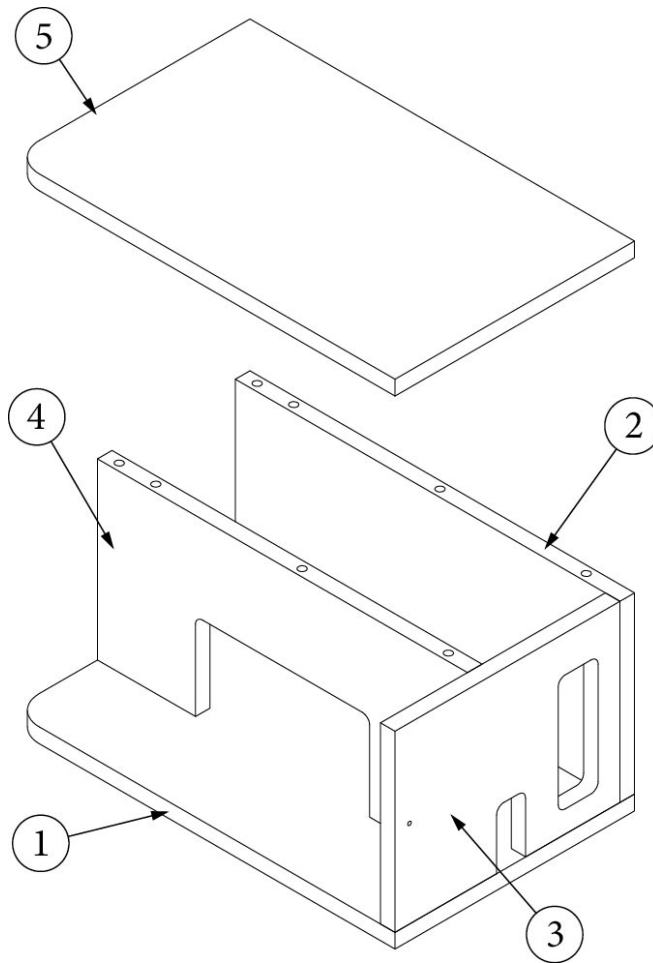
970220-01

CS Roof Locker, Starlink

|                     |                                     |
|---------------------|-------------------------------------|
| 1. 970220&000112BB  | Pre laminate, 0.50 x 12.88 x 55.13" |
| 2. 970220&000212BB  | Pre laminate, 0.50 x 12.87 x 12.12" |
| 3. 970220&000312BB  | Pre laminate, 0.50 x 12.87 x 12.12" |
| 4. 970220&000412BB  | Pre laminate, 0.50 x 12.87 x 12.12" |
| 5. 970220&000512BB  | Pre laminate, 0.50 x 10.0 x 13.54"  |
| 6. 970220&000612BB  | Pre laminate, 0.50 x 4.41 x 11.94"  |
| 7. 970220&000712BB  | Pre laminate, 0.50 x 2.75 x 50.19"  |
| 8. 970220&000812BB  | Pre laminate, 0.50 x 1.00 x 55.13"  |
| 9. 970220&001012BB  | Pre laminate, 0.50 x 15.27 x 16.78" |
| 10. 970220&001118BB | Pre laminate, 0.75 x 3.99 x 55.13"  |
| 11. 802298-1639     | Door, Macchiato, 12.38 X 28.81"     |
| 12. 802298-1839     | Door, Macchiato, 12.38 X 25.75"     |
| 13. 116393-01       | Aluminum extrusion                  |
| 382059-02           | Knob, Push/pull, Nickel             |
| 365412-01           | Edgebanding, Macchiato, 5/8"        |
| 365412-02           | Edgebanding, Macchiato, 15/16"      |
| 701538-01           | Carpet, Ecoliner W/PSA Back         |
| 381688              | Rubber Bumpon, Clear                |
| 382227              | Hinge, Spring, Nickel               |
| 381610-02           | Cover Cap Plas. European Brown      |

## FURNITURE, LOUNGE

### Shelf, Starlink Router



970501

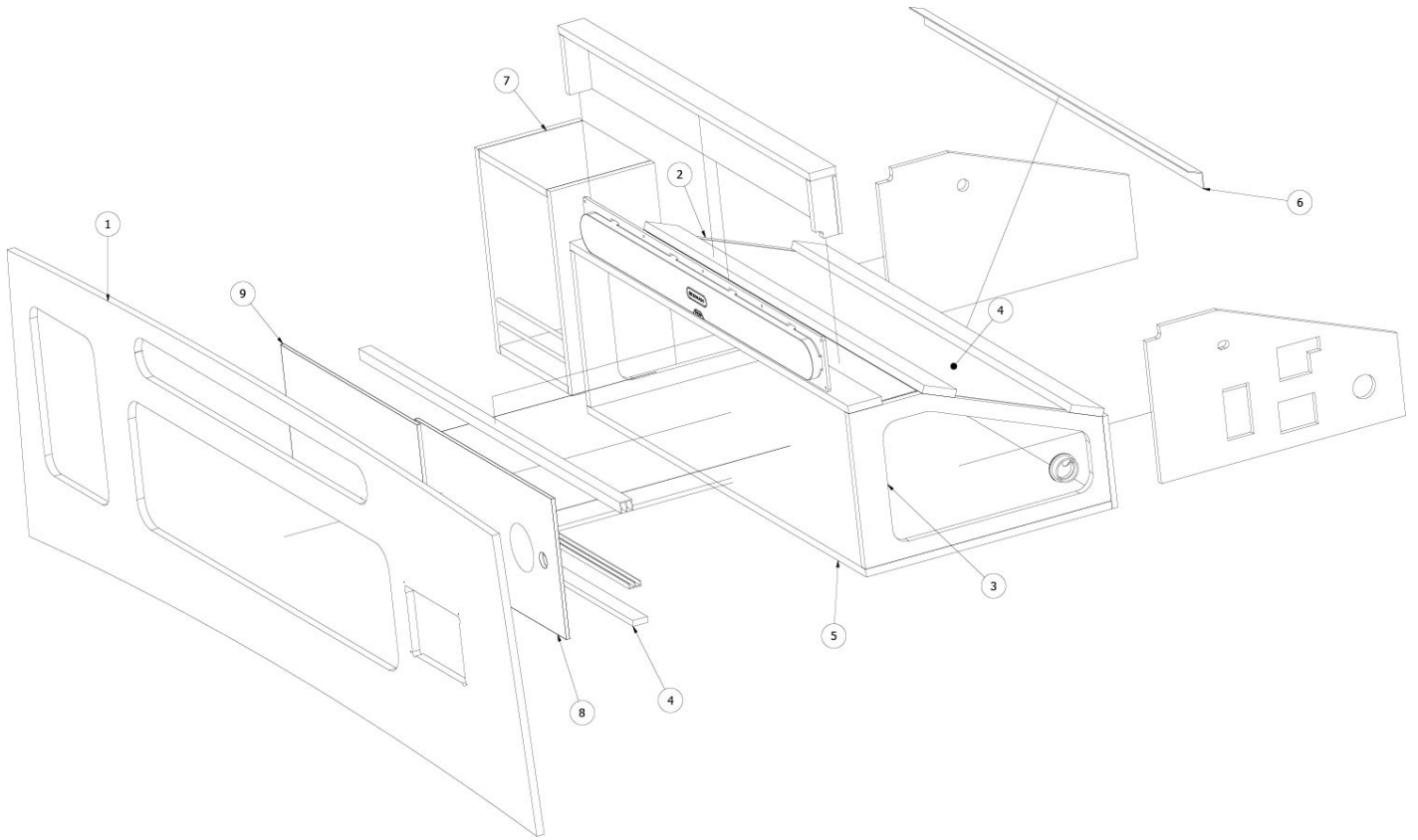
CS Roof Locker, Starlink

1. 970501&000112BB
2. 970501&000212BB
3. 970501&000312BB
4. 970501&000412BB
5. 970501&000512BB  
365479-01

- Pre laminate, 0.500 X 8.25 X 13.25 EB  
Pre laminate, 0.500 X 6.00 X 13.25 EB  
Pre laminate, 0.500 X 6.00 X 7.75 EB3  
Pre laminate, 0.500 X 6.00 X 12.75 EB  
Pre laminate, 0.500 X 8.25 X 13.25 EB  
Edgebanding - .63" - Grey Cedar

## FURNITURE, LOUNGE

### Roof Locker, Front Overhead



969669-01

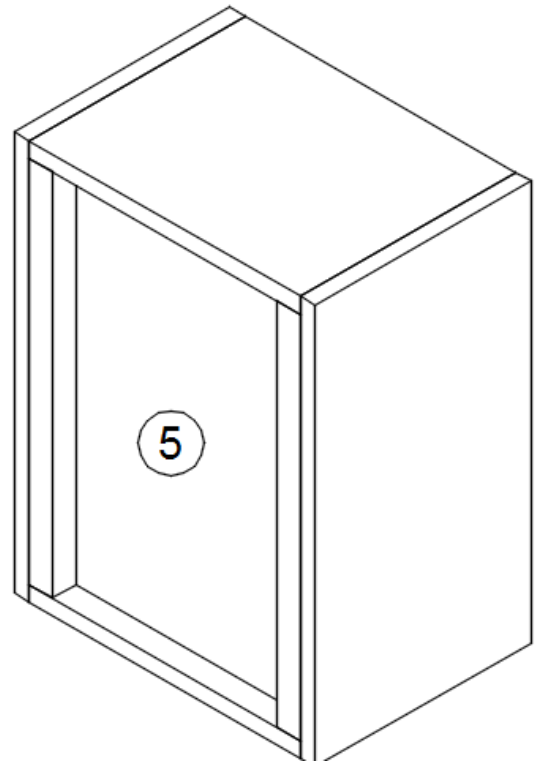
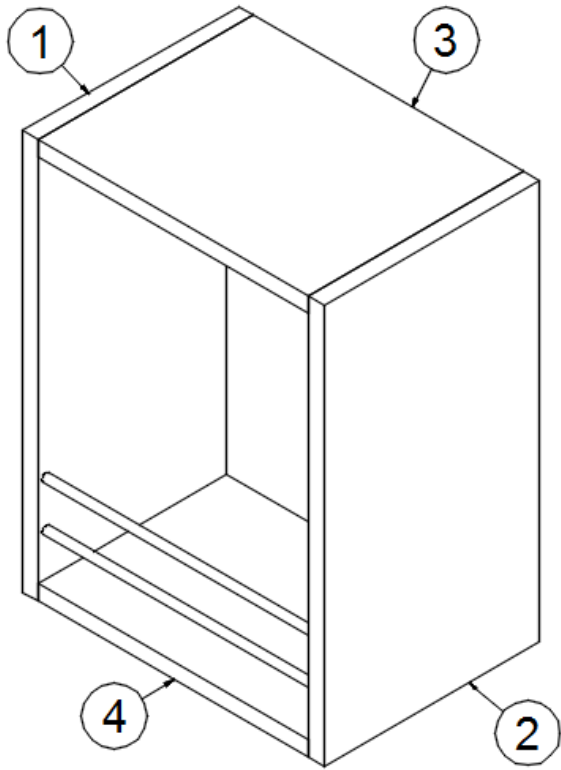
#### Front Overhead Locker Assembly

- |                    |                                      |
|--------------------|--------------------------------------|
| 1. 969669&000112BB | Pre laminate, 19.39 x 65.63          |
| 2. 969669&000212BB | Pre laminate, 9.89 x 16.5            |
| 3. 969669&000312BB | Pre laminate, 9.89 x 16.5            |
| 4. 116365          | Closeout, Front rooflocker           |
| 5. 969669&000512BB | Pre laminate, 16.5 x 36              |
| 6. 115562          | Aluminum angle, 70°, 1 x 1           |
| 7. 968516          | Cubby assembly                       |
| 8. 204031-07       | Frosted door, Tommy logo, Right side |
| 9. 204031-08       | Frosted door, Tommy logo, Left side  |
| 203388-01          | Track, Sliding door, Black           |
| 203445-03          | T-molding, .5", Tan                  |
| 381209-01          | Grommet w/cap, 1.5", Black           |
| 701538-01          | Carpet w/PSA backing                 |
| 703991             | Seal, Pile weather strip, Black      |
| 514209-3           | JBL Speaker, Stage 3 Series, 4"      |
| 514209-6           | Grill, JBL Speaker, 4"               |
| 365412-01          | Edgebanding, 5/8", Macchiato         |



## FURNITURE, LOUNGE

### Cubby, Front Overhead



968516

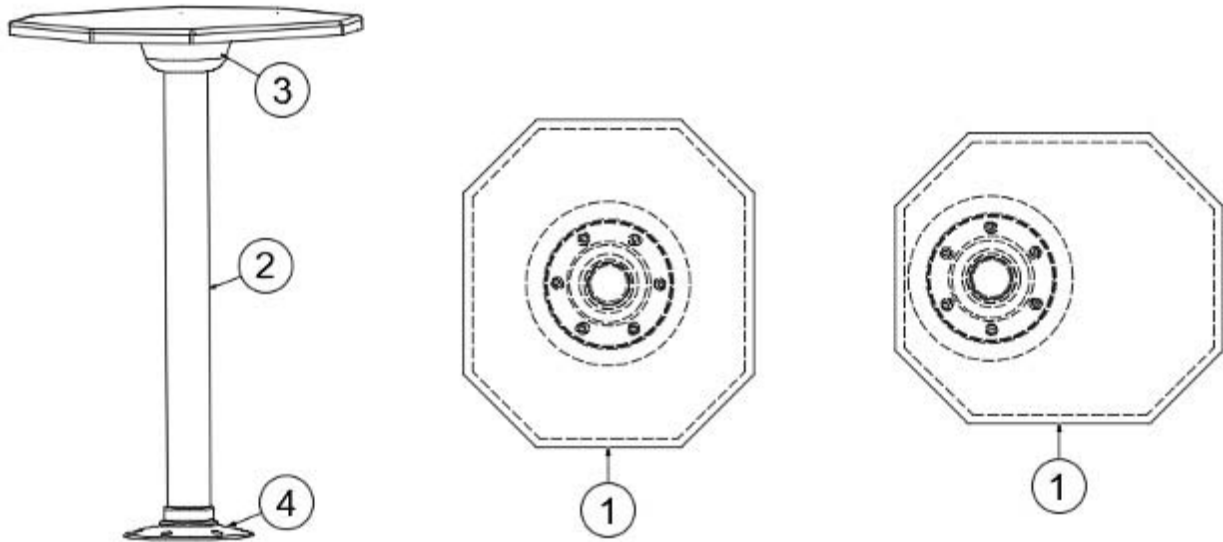
Cubby, Front Overhead Roof Locker

1. 968516&000112BB
2. 968516&000212BB
3. 968516&000312BB
4. 968516&000412BB
5. 968516&000503BE  
115042

- Panel, 7 x 13
- Panel, 7 x 13
- Panel, 7 x 8.79
- Panel, 7 x 8.79
- Panel, 8.79 x 12  
Aluminum rod

# FURNITURE, LOUNGE

## Pedestal Table



968496

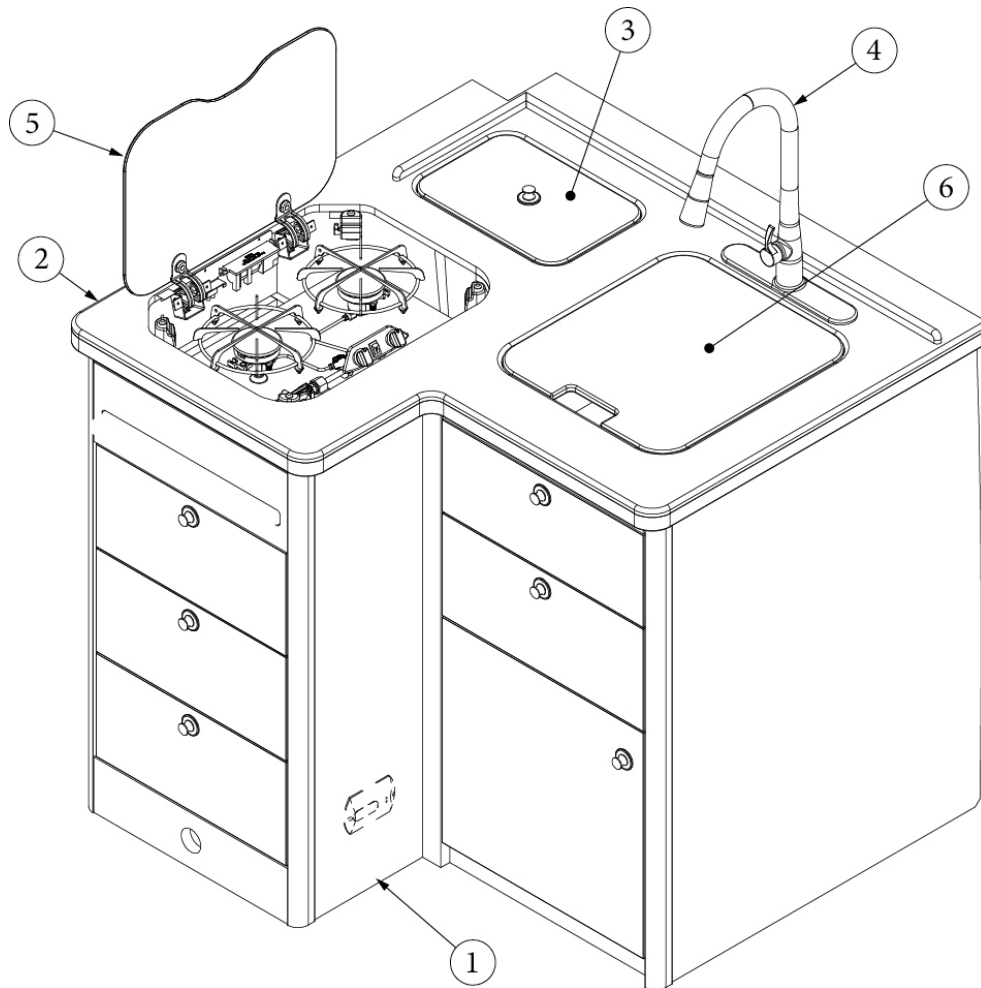
Pedestal Dinette Tables

- 1. 602861
- 2. 381974
- 3. 381975
- 4. 381976

- Pedestal table, White Quartz
- Pedestal leg, Thread lock
- Pedestal socket, Table top
- Pedestal socket, Floor

## FURNITURE, GALLEY

### Galley Install



112337-01

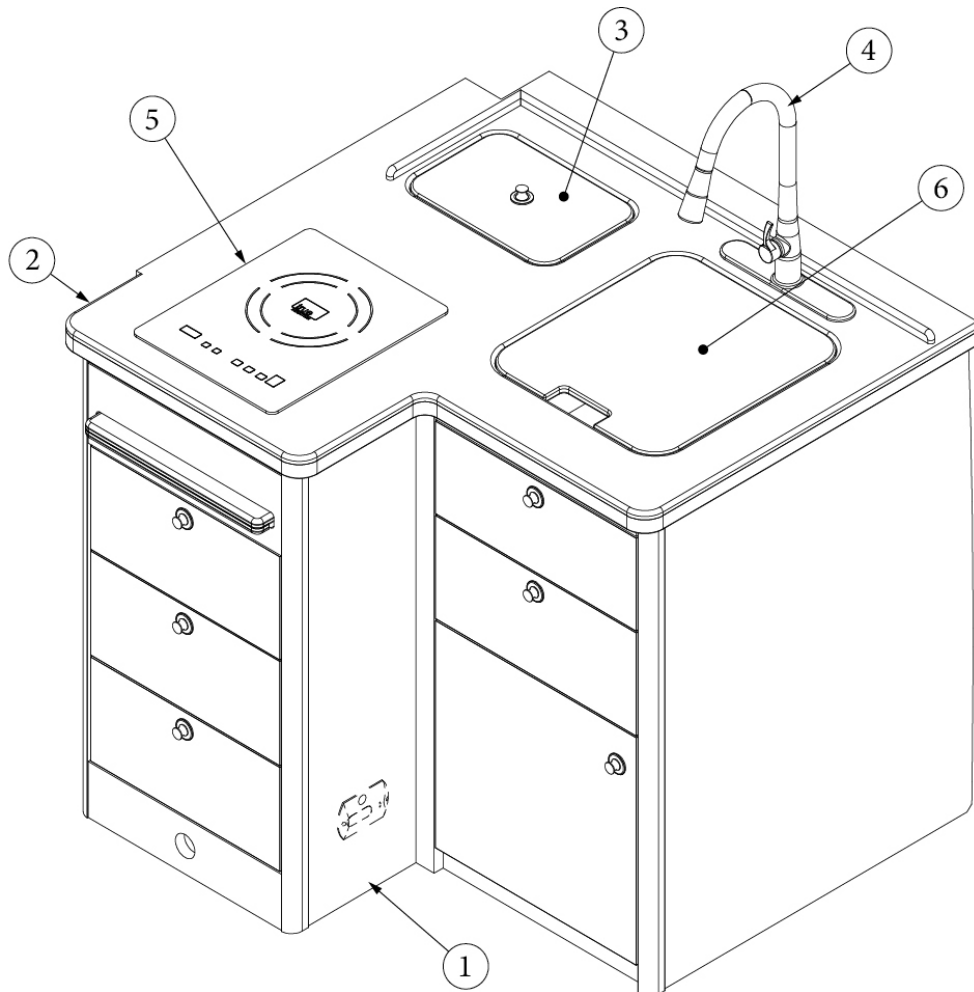
Galley Install (not for order/see parts below)

- 1. 968566-01
- 2. 602589-05
- 3. 602591-05
- 4. 602634
- 5. 690816
- 6. 602592-05
- 602551
- 600968

- Galley assembly
- Galley top, Solid surface, Sandstorm
- Cover, Waste basket, Solid surface, Sandstorm
- Faucet, Galley
- Cooktop, Two Burner, Suburban 3036AST
- Sink cover, Solid surface, Sandstorm
- Sink, Undertone
- Basket strainer

## FURNITURE, GALLEY

### Galley Install, E1 Package Option



113952-01

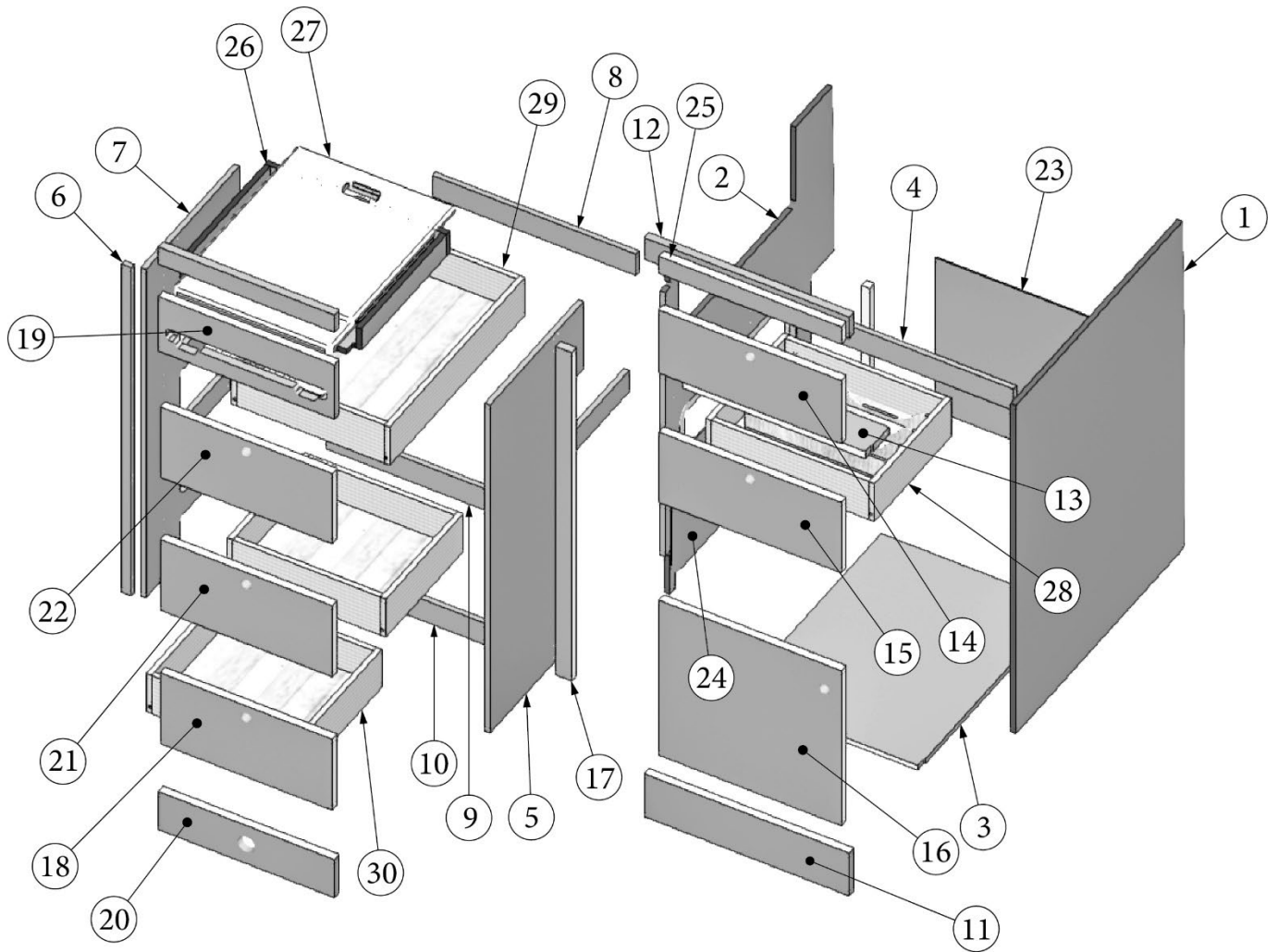
Galley Install, E1 Package (not for order/see parts below)

- 1. 968566-01
- 2. 602910-04
- 3. 602591-05
- 4. 602634
- 5. 514023
- 6. 602592-05
- 602551
- 600968
- 365520

Galley assembly  
Galley top, Solid surface, Sandstorm  
Cover, Waste basket, Solid surface, Sandstorm  
Faucet, Galley  
Cooktop, Induction, 1000W, Single Burner  
Sink cover, Solid surface, Sandstorm  
Sink, Undertone  
Basket strainer  
Ribbon, Weatherban, 3M, 3/8"

# FURNITURE, GALLEY

## Galley Cabinet



Parts Listed on Next Page

## FURNITURE, GALLEY

### Galley Cabinet

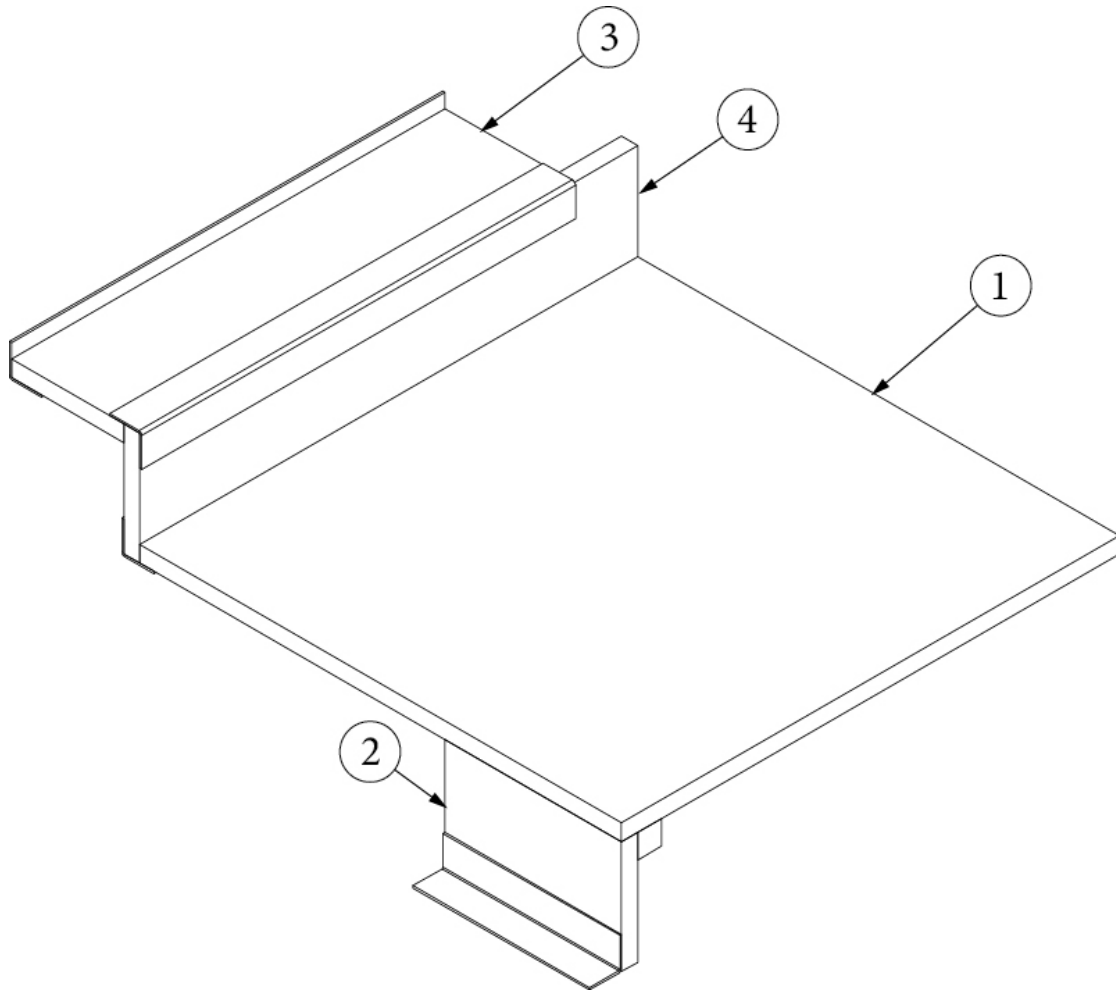
968566-01

Galley Cabinet

|                     |                                       |
|---------------------|---------------------------------------|
| 1. 968566&010112BB  | Pre laminate, 26.13 x 34.37           |
| 2. 968566&010212BB  | Pre laminate, 26.25 x 34.37           |
| 3. 968566&010312BB  | Pre laminate, 22.64 x 16.89           |
| 4. 968566&010412BB  | Pre laminate, 2.25 x 16.87            |
| 5. 968566&010512BB  | Pre laminate, 11 x 34.37              |
| 6. 968566&010612BB  | Pre laminate, .92 x 34.37             |
| 7. 968566&010712BB  | Pre laminate, 22.11 x 34.37           |
| 8. 968566&010812BB  | Pre laminate, 2.25 x 16.69            |
| 9. 968566&010912BB  | Pre laminate, 2.25 x 16.69            |
| 10. 968566&011012BB | Pre laminate, 2.25 x 16.69            |
| 11. 968566&011118BB | Pre laminate, 4.5 x 18.82             |
| 12. 968566&011218BB | Pre laminate, 2.25 x 18.82            |
| 13. 968566&011318BB | Pre laminate, 3.5 x 16.87             |
| 14. 968566&016118BB | Pre laminate, 16.76 x 6.62            |
| 15. 968566&016218BB | Pre laminate, 16.76 x 7.37            |
| 16. 968566&016318BB | Pre laminate, 16.76 x 16.24           |
| 17. 968566&011718BB | Pre laminate, 1.5 x 34.37             |
| 18. 968566&016018BB | Pre laminate, 15.82 x 7.44            |
| 19. 968566&011918BB | Pre laminate, 16.19 x 7.62            |
| 20. 968566&012018BB | Pre laminate, 16.19 x 4               |
| 21. 968566&015018BB | Pre laminate, 15.82 x 7.44            |
| 22. 968566&014918BB | Pre laminate, 15.82 x 7.37            |
| 23. 968566&012303BE | Pre laminate, 16.74 x 16              |
| 24. 968566&012403BE | Pre laminate, 18.19 X 11.94           |
| 25. 968566&015618BB | Pre laminate, 16.76 X 1.82            |
| 26. 968752-01       | Workstation pull-out                  |
| 27. 602660-05       | Workstation, Solid surface, Sandstorm |
| 28. 968224-04       | Drawer box, 4 x 12, Soft close        |
| 29. 968224-06       | Drawer box, 4 x 21, Soft close        |
| 30. 968224-07       | Drawer box, 4 x 12, Soft close        |
| 381228-02           | Catch, Grabber door, 5LB              |
| 381607-12           | Baseplate, Grass, 9.5 x 37/32         |
| 381607-18           | Hinge, Nickel Plated, 110° Swing      |
| 381607-110          | Caps, Cover, Grass                    |
| 381686              | Tray, 14" plastic                     |
| 382059-02           | Knob, Push/pull, Nickel               |
| 382820-02           | Drawer slide, Self-close, 12"         |
| 382820-05           | Drawer slide, Self-close, 21"         |
| 382820-06           | Clips, Adjustable undermount slides   |
| 382820-07           | Bracket, Rear mounting                |
| 116394-01           | Corner trim, Aluminum                 |
| 383035              | Hinge, Scissor, SS                    |
| 968024              | Insert, Cutlery drawer                |
| 381708              | Wastebasket, Rubbermaid               |
| 365412-01           | Edgebanding, 5/8", Macchiato          |
| 365412-02           | Edgebanding, 15/16", Macchiato        |

## FURNITURE, GALLEY

### Stand, Hydronic Heater, E1 Package Option



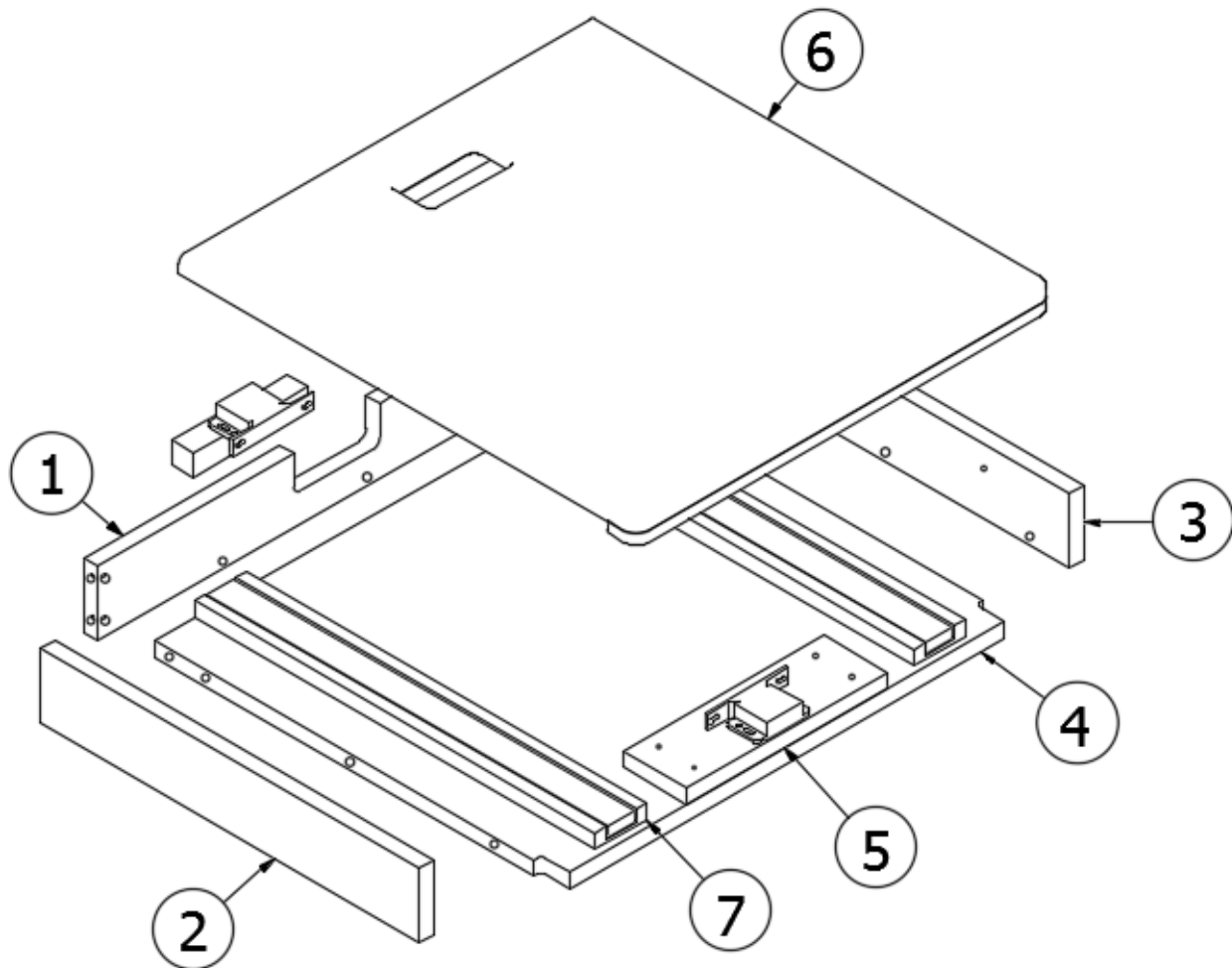
969801

- 1. 969801&000112BB
  - 2. 969801&000212BB
  - 3. 969801&000412BB
  - 4. 969801&000312BB
- 114812  
101115

Pre laminate, 15 X 15.5"  
Pre laminate, 3.5 X 5.5"  
Pre laminate, 2.5 X 15.5"  
Pre laminate, 3.5 X 15.5"  
Aluminum Angle, 1 X 1 X 12"  
Sheet-Alum .060 X 48 X 120"

## FURNITURE, GALLEY

### Galley Workstation



968752-01

Galley Pull-Out Workstation

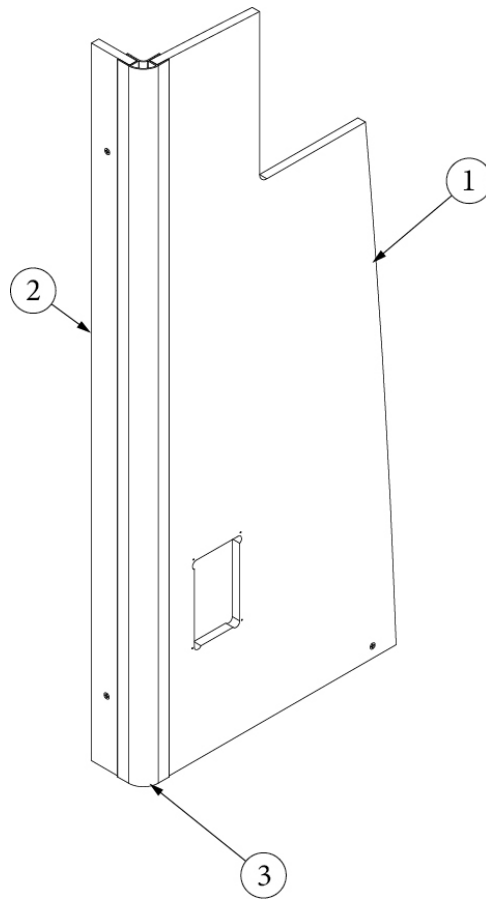
- 1. 968752&010112BB
- 2. 968752&010212BB
- 3. 968752&010312BB
- 4. 968752&010412BB
- 5. 800507-03
- 6. 602660-05
- 7. 381400
- 381228-02

- Panel, 2.25 x 16.69
- Panel, 2.25 x 13.25
- Panel, 2.25 x 13.25
- Panel, 15.69 x 14.24
- Pre laminate, Plywood, 4' x 8' Sheet
- Ctop, Workstation, Sandstorm
- Drawer slide, 14"
- Catch, Grabber door, 5LB



## FURNITURE, GALLEY

### Vent Pipe Cover



968459

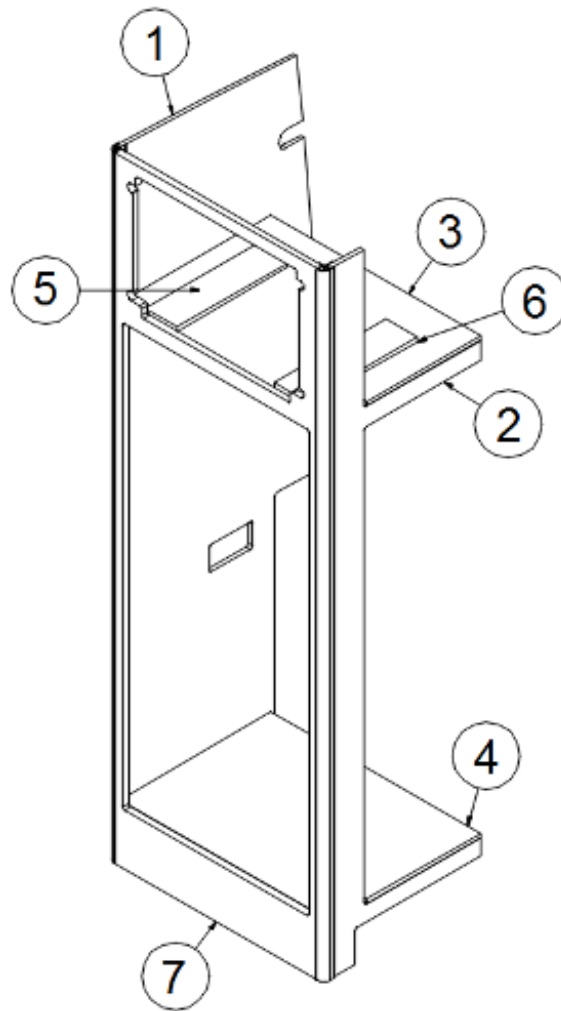
Galley vent pipe cover

1. 968459&000112BH
2. 968459&000212BH
3. 116395-01  
381609-02  
381609-05  
381610-02

Pre laminate, 13.83 X 41.84"  
Pre laminate, 2.57 X 41.84"  
Extrusion, 1" Radius Corner  
Screw, Hafele European, #9 1"  
Screw, Hafele European, #9 1-1/2"  
Cover Cap, Plastic, European Brown

## FURNITURE, GALLEY

### Refrigerator Cabinet



113942  
968394

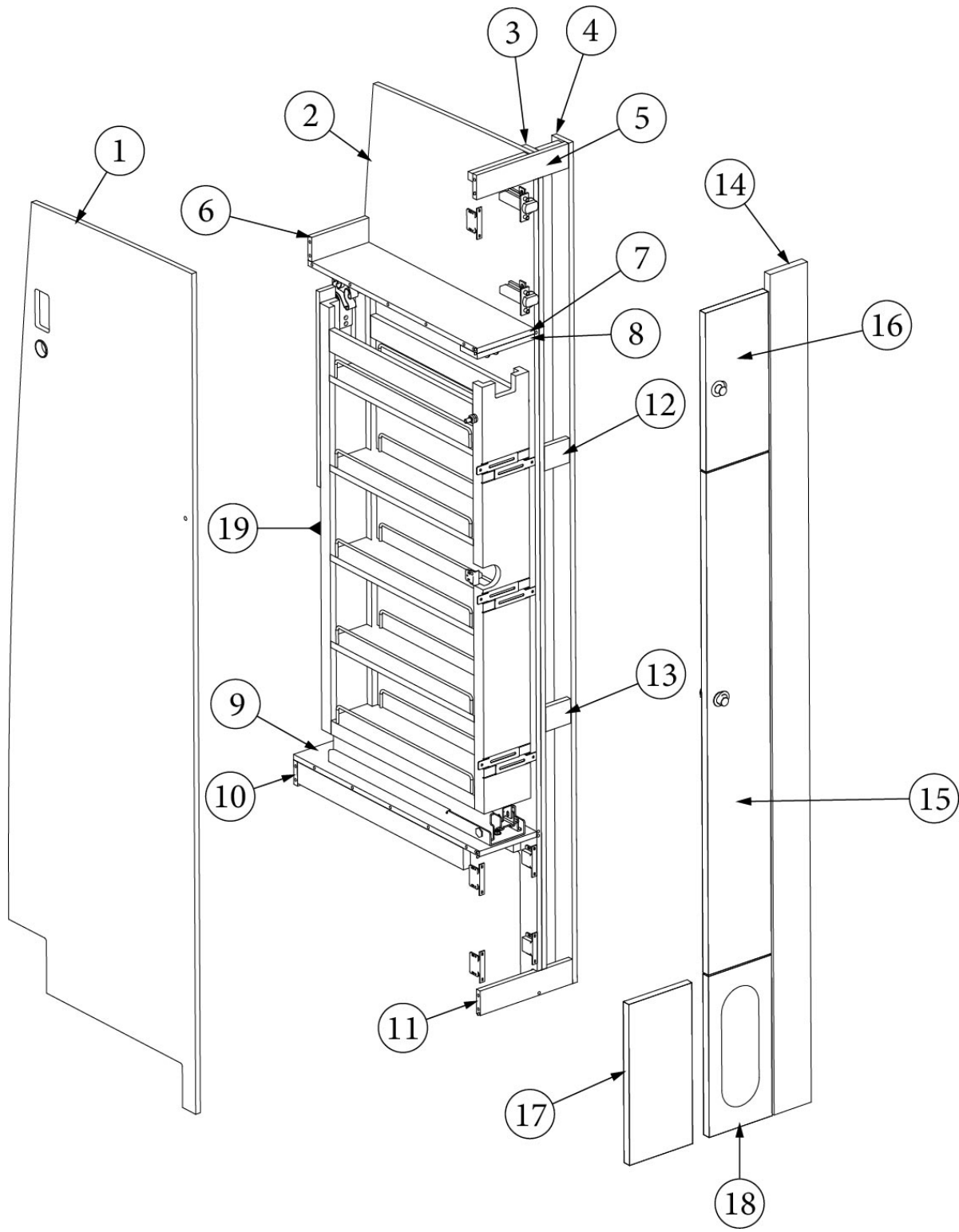
Install, Refer Cabinet (not for order/see parts below)  
Refrigerator Cabinet

- 1. 968394&000112BB
  - 2. 968394&000212BB
  - 3. 968394&000312BB
  - 4. 968394&000412BB
  - 5. 968394&000612BB
  - 6. 968394&000812BB
  - 7. 968394&000918BB
- 116394-01  
114812  
365412-02

Panel, 26.12 x 77.41  
Panel, 19 x 77.41  
Panel, 19.12 x 26.45  
Panel, 19.12 x 26.45  
Panel, 4 x 14  
Panel, 4 x 14  
Panel, 25.45 x 77.41  
Corner trim, Aluminum  
Aluminum angle, 1 x 1  
Edgebanding, 15/16" Macchiato

# FURNITURE, GALLEY

## Pantry/Wardrobe



Parts Listed on Next Page

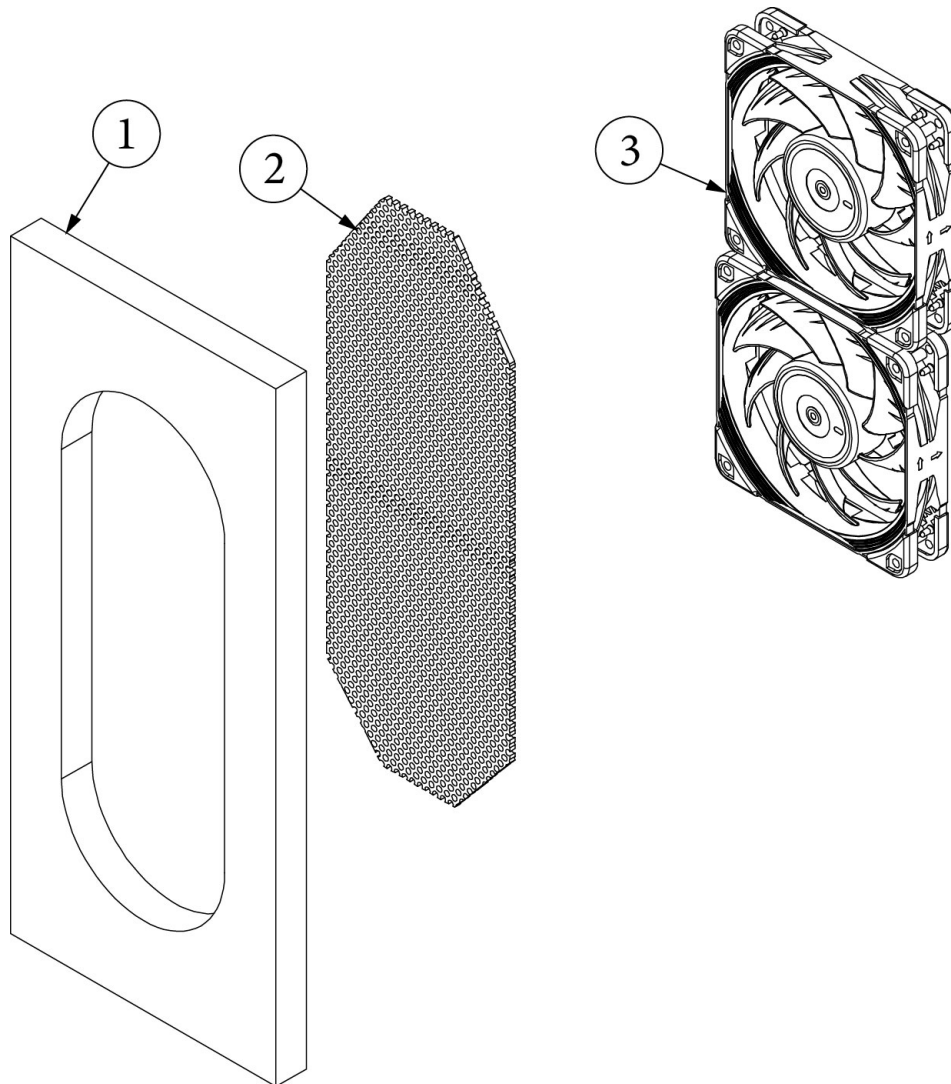
## FURNITURE, GALLEY

### Pantry/Wardrobe

|                     |  |
|---------------------|--|
| 970436-01           | Pantry, Tall Wardrobe, LP Model                |
| 970436-03           | Pantry, Tall Wardrobe, E1 Package Option       |
| 1. 970436&000112BB  | Pre laminate, 24.75 x 77.37"                   |
| 2. 970436&000212BB  | Pre laminate, 24.75 x 77.35"                   |
| 3. 970436&000312BB  | Pre laminate, 2.25 x 77.37"                    |
| 4. 970436&000412BB  | Pre laminate, 2.25 x 77.37"                    |
| 5. 970436&000512BB  | Pre laminate, 2.25 x 9.88"                     |
| 6. 970436&000612BB  | Pre laminate, 2.25 x 6.13"                     |
| 7. 970436&000712BB  | Pre laminate, 22.44 x 6.13"                    |
| 8. 970436&000812BB  | Pre laminate, 22.44 x 6.13"                    |
| 9. 970436&000912BB  | Pre laminate, 24.66 x 6.13"                    |
| 10. 970436&001012BB | Pre laminate, 2.25 x 6.13"                     |
| 11. 970436&001112BB | Pre laminate, 2.25 x 9.88"                     |
| 12. 970436&001212BB | Pre laminate, 2.25 x 2.69"                     |
| 13. 970436&001312BB | Pre laminate, 2.25 x 2.69"                     |
| 14. 970436&001418BB | Pre laminate, 4 x 77.37"                       |
| 15. 970436&001618BB | Pre laminate, 6.75 x 46"                       |
| 16. 970436&001818BB | Pre laminate, 6.75 x 14.62"                    |
| 17. 970436&001918BB | Pre laminate, 6.75 x 14.81", LP Model Only     |
| 18. 970438          | Assembly, Pantry Vent Cover, E1 Package Option |
| 19. 383044          | Pullout, Rev-A-Shelf, 5 Shelves                |
| 382059-02           | Knob, Push/Pull, Nickel                        |
| 381209-02           | Grommet w/o cap, 1.5", Black                   |
| 381228-02           | Catch, Grabber door, 5LB                       |
| 381607-12           | Baseplate, Grass, 9.5 x 37/32                  |
| 381607-18           | Hinge, Nickel Plated, 110° Swing               |
| 381607-110          | Caps, Cover, Grass                             |
| 382613-01           | Knob, Push/pull, 1", Black Nickel              |
| 386289              | Bumper-Dome, .25" DIA x .0625"                 |
| 382613-02           | Latch, Knob, Black                             |
| 365412-01           | Edgebanding, 5/8" Macchiato                    |
| 365412-02           | Edgebanding, 15/16" Macchiato                  |

## FURNITURE, GALLEY

### Pantry Vent Cover, E1 Package Option



970438

Assembly, Pantry Vent Cover, E1 Package Option

1. 970438&000118BB

Pre laminate, 6.75 X 14.81"

2. 115855

Alum, Perforated, .063 X 48 X 120"

3. 514377

Fan, Noctua, 120MM

203942-03

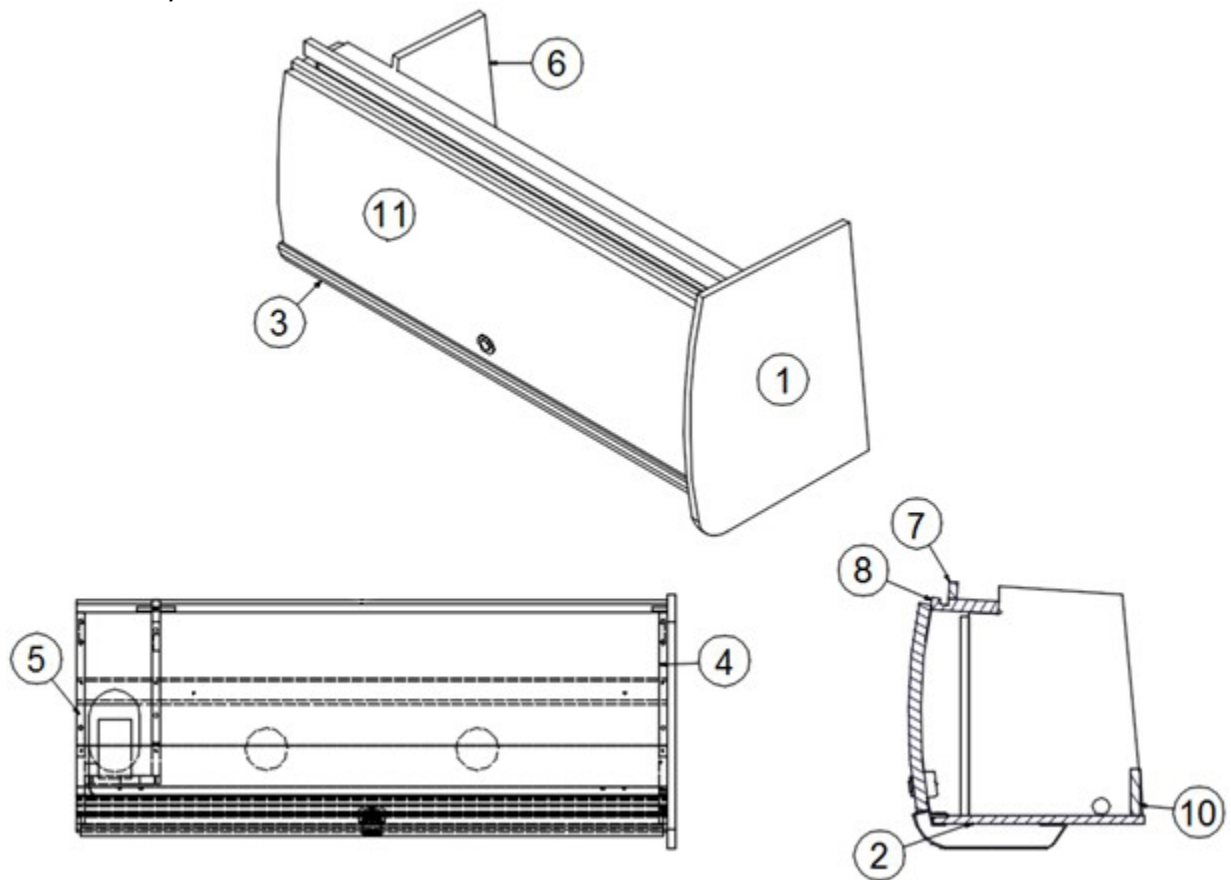
T-Molding, Black, 13/16"

365412-02

Edgebanding, Macchiato, 15/16"

## FURNITURE, GALLEY

### Roof Locker, RS



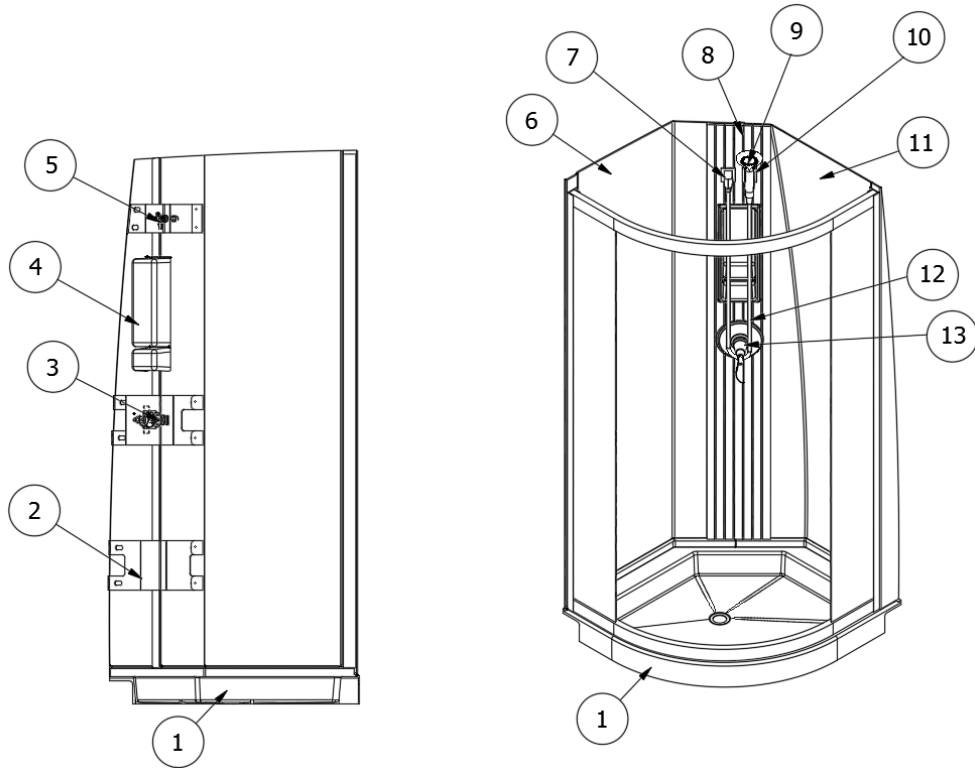
969043

RS Roof Locker

|                     |                                |
|---------------------|--------------------------------|
| 1. 969043&000112BB  | Panel, 13.81 X 16.78           |
| 2. 969043&000212BB  | Panel, 11.87 X 35.00           |
| 3. 116393-02        | Extrusion, Aluminum            |
| 4. 969043&000412BB  | Panel, 11.87 X 12.12           |
| 5. 969043&000512BB  | Panel, 11.87 X 12.12           |
| 6. 969043&000612BB  | Panel, 9.74 X 13.52            |
| 7. 969043&000712BB  | Panel, 1.00 X 35.00            |
| 8. 969043&000818BB  | Panel, 3.99 X 35.00            |
| 9. 969043&000912BB  | Panel, 4.43 X 11.75            |
| 10. 969043&001012BB | Panel, 2.75 X 33.25            |
| 11. 802298-1939     | Door - Plyform 12.38" X 34.62" |
| 382059-02           | Knob, Push/pull, Black Nickel  |
| 382227              | Hinges, Overhead Spring Nickel |

## FURNITURE, LAVATORY

### Shower Module



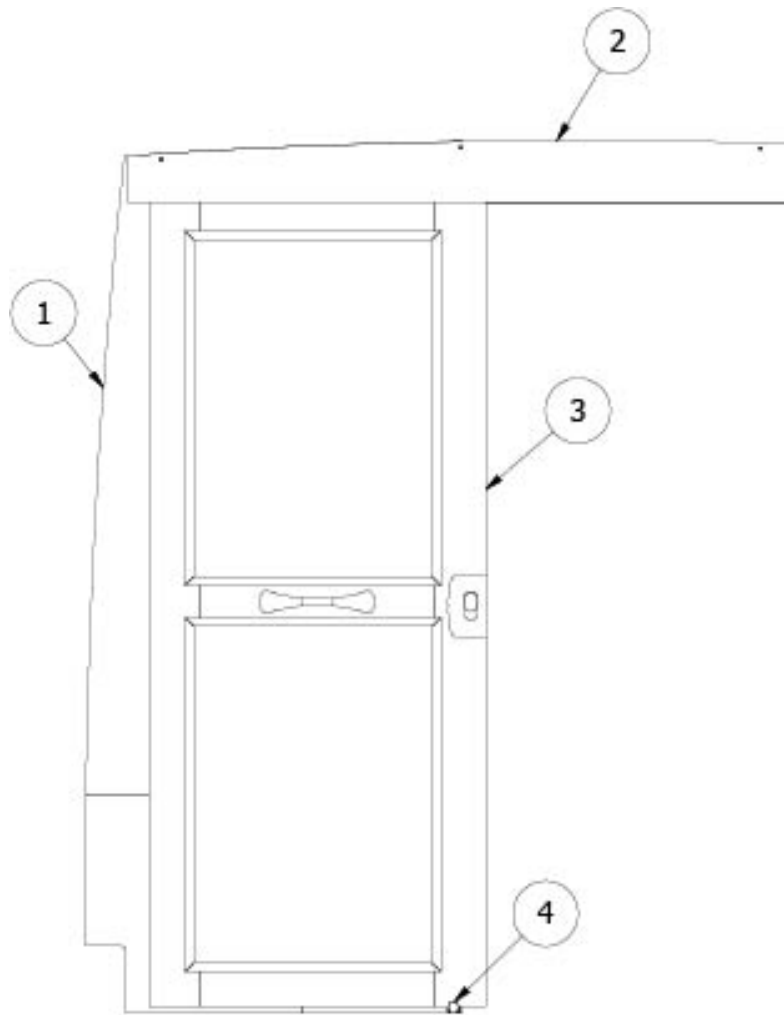
112730-01

Fiberglass Corner Shower

- |               |                                       |
|---------------|---------------------------------------|
| 1. 203943     | Shower Pan, Fiberglass Curved         |
| 2. 455482     | Bracket, Lower Shower Wall Mounting   |
| 3. 455483     | Bracket, Shower Valve Mounting        |
| 4. 203987     | Caddy, Shower inset Shelf             |
| 5. 455619     | Bracket, Shower head mounting         |
| 6. 204007-01  | LH Shower Wall                        |
| 7. 602638     | Elbow, Wall Mount Supply              |
| 8. 802127     | Trim Panel, 8" x 73 3/16" Shower Trim |
| 9. 602978     | Showerhead, Hand-held                 |
| 10. 602641-02 | Bracket-Wall Mount Kohler K98348-2BZ  |
| 11. 204007-02 | RH Shower Wall                        |
| 12. 602637    | Hose, 60" Oil Rubbed Bronze           |
| 13. 602640    | Valve Trim Kit, Alteo Orb             |
| 968935        | RS Shower Door Mount                  |
| 802382        | Shower Wall Filler Strip              |
| 602616        | Curved Glass Shower Door              |
| 201666-01     | Molding-J, 3/1", Plastic White        |
| 203945        | Latch, Curved, Shower Door Trave      |

## FURNITURE, LAVATORY

### Sliding Door and Wall



113740

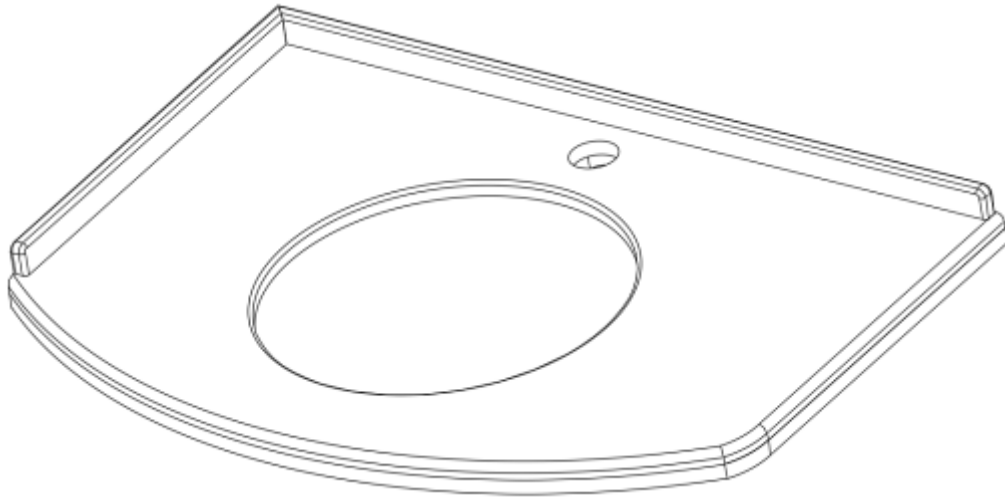
Sliding Bath Door/Wall

- |             |                                   |
|-------------|-----------------------------------|
| 1. 968414   | Sliding door wall                 |
| 2. 969694   | Sliding door header assembly      |
| 3. 969696   | Bath door Assembly                |
| 802623-0039 | Bath door, Louvered               |
| 4. 381100   | Sliding door guide                |
| 382805-01   | Latch, Latch system, Satin Nickel |
| 382805-02   | Rod, W/Guide                      |
| 382805-03   | Hanger kit, Latch system          |
| 382805-04   | Track, Latch system               |
| 382805-05   | Stopper, Latch system             |
| 703991      | Seal-Pile Weather Strip Blk       |



## FURNITURE, LAVATORY

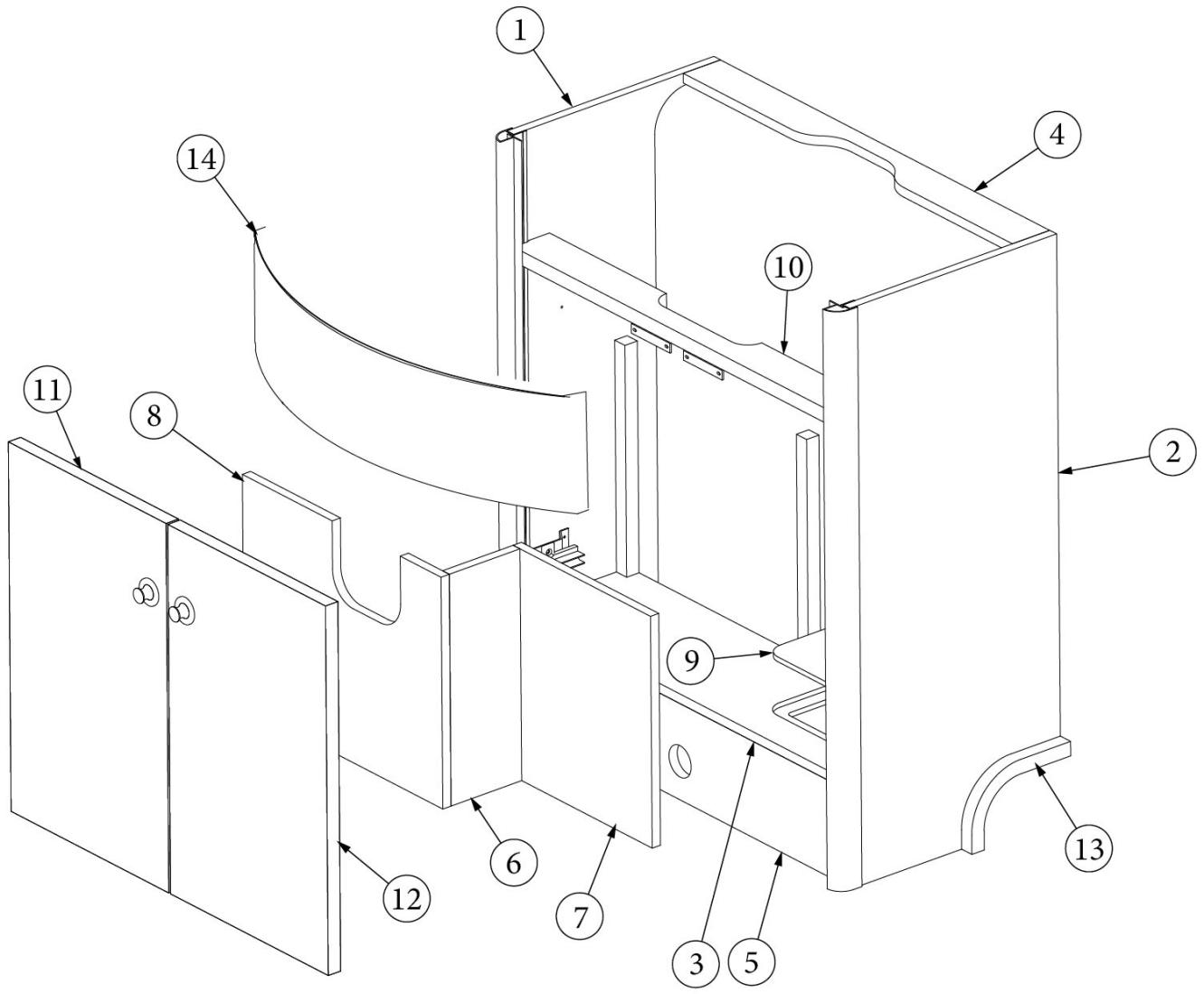
### Lavatory Top



|           |   |
|-----------|---|
| 602564-05 | Top, Lavy, Sandstorm                          |
| 453833    | Clip, Sink mount                              |
| 602571    | Sink, Undercounter, Bolero                    |
| 602871-01 | Faucet, Single handle, Pfister, Tuscan Bronze |
| 602704    | Kit, Drain spacer gasket                      |

# FURNITURE, LAVATORY

## Lavatory Cabinet



Parts Listed on Next Page

## FURNITURE, LAVATORY

### Lavatory Cabinet

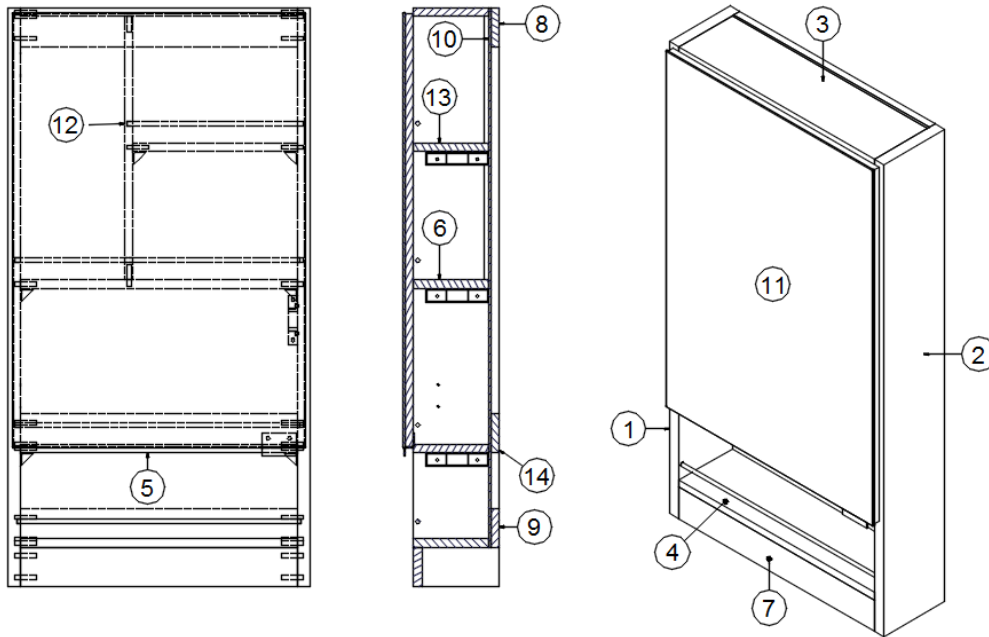
969840-01

Lavatory Cabinet

- |                     |                                  |
|---------------------|----------------------------------|
| 1. 969840&000112BB  | Pre laminate, 12.5 x 30"         |
| 2. 969840&000212BB  | Pre laminate, 12.50x 30"         |
| 3. 969840&000312BB  | Pre laminate, 11.64 x 24.19"     |
| 4. 969840&000412BB  | Pre laminate, 2.25 x 24.19"      |
| 5. 969840&000512BB  | Pre laminate, 5 x 24.05"         |
| 6. 969840&000612BB  | Pre laminate, 4.27 x 12"         |
| 7. 969840&000712BB  | Pre laminate, 10.09 x 12"        |
| 8. 969840&000812BB  | Pre laminate, 14.6 x 12"         |
| 9. 969840&000912BB  | Pre laminate, 7.52 x 6.47"       |
| 10. 969840&001018BB | Pre laminate, 2.25 x 24.05"      |
| 11. 969840&001518BB | Pre laminate, 11.59 x 19.13"     |
| 12. 969840&001618BB | Pre laminate, 11.59 x 19.13"     |
| 13. 969840&003018BB | Pre laminate, 6 x 4"             |
| 14. 456051          | Radius, Lavy Front               |
| 116394-01           | Corner trim, Aluminum            |
| 115871              | Standoff bracket w/mount holes   |
| 382059-02           | Knob, Push/pull, Black Nickel    |
| 381228-02           | Catch, Grabber door, 5LB         |
| 381607-12           | Baseplate, Grass, 9.5 x 37/32    |
| 381607-18           | Hinge, Nickel Plated, 110° Swing |
| 381607-110          | Caps, Cover, Grass               |
| 114812              | Aluminum angle, 1 x 9            |
| 365412-01           | Edgebanding, 5/8" Macchiato      |
| 365412-02           | Edgebanding, 15/16" Macchiato    |
| 602564-05           | Top, Lavy, Sandstorm             |

## FURNITURE, LAVATORY

### Medicine Cabinet



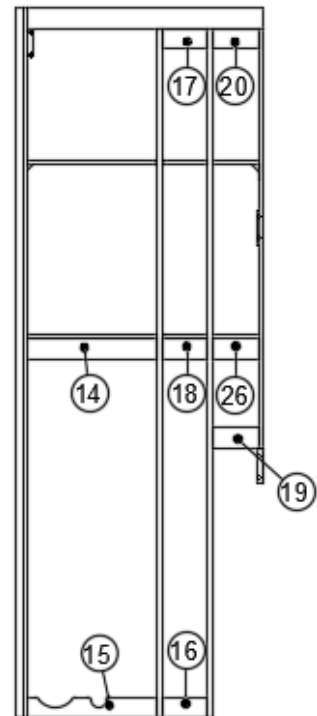
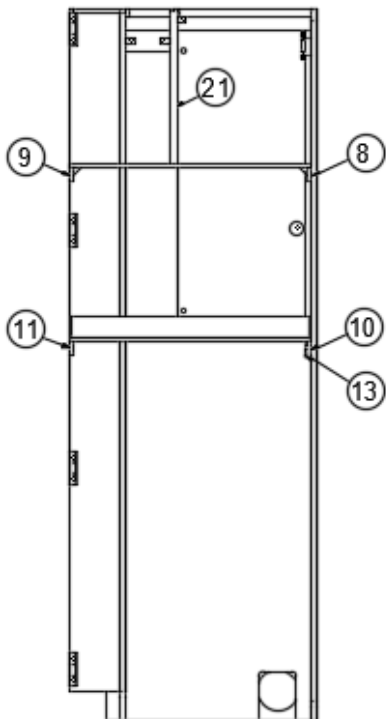
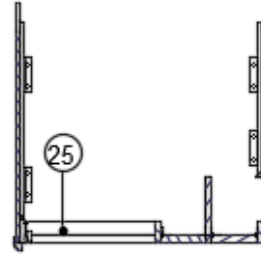
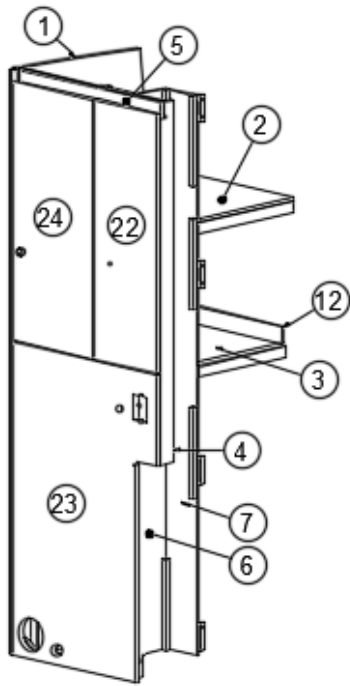
968531

Medicine Cabinet

- |                     |                                  |
|---------------------|----------------------------------|
| 1. 968531&000118BB  | Panel, 5 x 33.5                  |
| 2. 968531&000218BB  | Panel, 5 x 33.5                  |
| 3. 968531&000312BB  | Panel, 4.38 x 16                 |
| 4. 968531&000412BB  | Panel, 4.38 x 16                 |
| 5. 968531&000512BB  | Panel, 4.38 x 16                 |
| 6. 968531&000612BB  | Panel, 4.38 x 16                 |
| 7. 968531&000712BB  | Panel, 2.25 x 16                 |
| 8. 968531&000812BB  | Panel, 2.25 x 16                 |
| 9. 968531&000912BB  | Panel, 2.25 x 16                 |
| 10. 968531&001003BE | Panel, 16 x 31.25                |
| 11. 968531&001112BC | Door, 16.88 x 25.13              |
| 12. 968531&001212BB | Panel, 4.38 x 15.25              |
| 13. 968531&001312BB | Panel, 4.38 x 9.5                |
| 14. 968531&002212BB | Panel, 2.25 x 16                 |
| 372203-15           | Safety glass, Mirrored           |
| 115042              | Aluminum rod                     |
| 385940-02           | Mirror pull, Chrome              |
| 381228-02           | Catch, Grabber door, 5LB         |
| 386279              | Corner brace                     |
| 381607-12           | Baseplate, Grass, 9.5 x 37/32    |
| 381607-18           | Hinge, Nickel Plated, 110° Swing |
| 381607-110          | Caps, Cover, Grass               |

# FURNITURE, LAVATORY

## Wardrobe, CS Aft



Parts Listed on Next Page

## FURNITURE, LAVATORY

### Wardrobe, CS Aft

969599-01

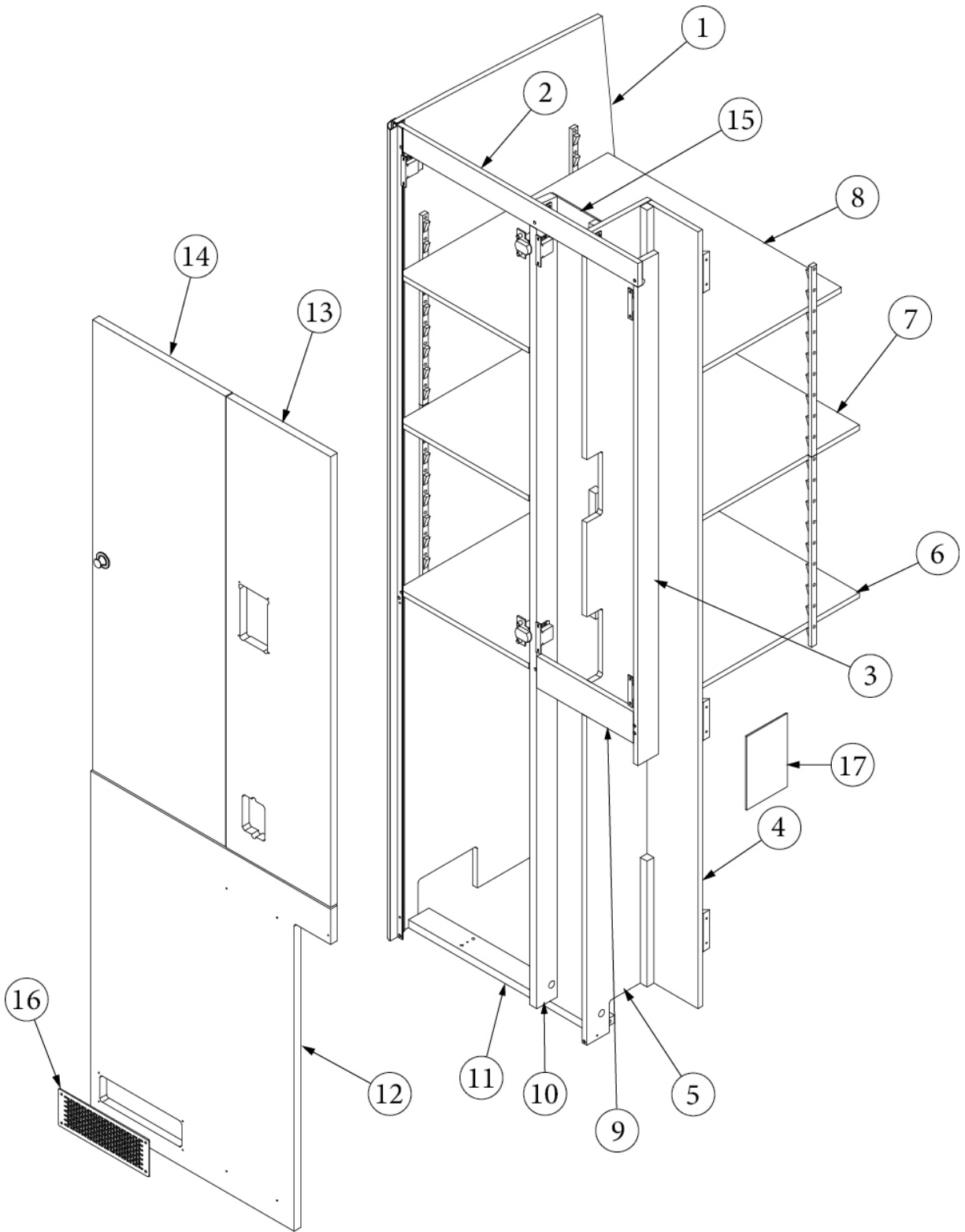
1. 969599&010112BB
  2. 969599&010212BB
  3. 969599&010312BB
  4. 969599&010412BB
  5. 969599&010512BB
  6. 969599&010612BB
  7. 969599&010712BB
  8. 969599&010812BB
  9. 969599&010912BB
  10. 969599&011018BB
  11. 969599&011118BB
  12. 969599&011218BB
  13. 969599&011318BB
  14. 969599&012718BB
  15. 969599&011503BE
- 116394-01  
386279  
380041  
381607-12  
381607-18  
381607-110  
115871  
382059-02  
381228-02  
381527  
365412-01  
365412-02

Wardrobe, CS Aft

- Panel, 26 x 77.54  
Pre laminate, 2.25 x 26.58  
Pre laminate, 2.25 x 47.91  
Pre laminate, 5.63 x 74.13  
Pre laminate, 7.13 x 77.41  
Pre laminate, 25 x 25.75  
Pre laminate, 25 x 25.75  
Pre laminate, 23 x 25.75  
Pre laminate, 3 x 10.62  
Pre laminate, 2.25 x 76.66  
Pre laminate, 2.25 x 20.57  
Pre laminate, 26.4 x 32.75  
Pre laminate, 11.45 x 43  
Pre laminate, 14.63 x 43  
Pre laminate, 5.63 x 77.13  
Extrusion, Corner trim, .5"  
Corner brace  
Brace, 1", Stanley corner  
Baseplate, Grass, 9.5 x 37/32  
Hinge, Nickel Plated, 110° Swing  
Caps, Cover, Grass  
Standoff bracket w/mount holes  
Knob, Push/pull, Black Nickel  
Catch, Grabber door, 5LB  
Shelf strip, Speedy, 18"  
Edgebanding, 5/8" Macchiato  
Edgebanding, 15/16" Macchiato

# FURNITURE, LAVATORY

## Wardrobe, CS Aft, E1 Package Option



Parts Listed on Next Page

## FURNITURE, LAVATORY

### Wardrobe, CS Aft, E1 Package Option

969826-01

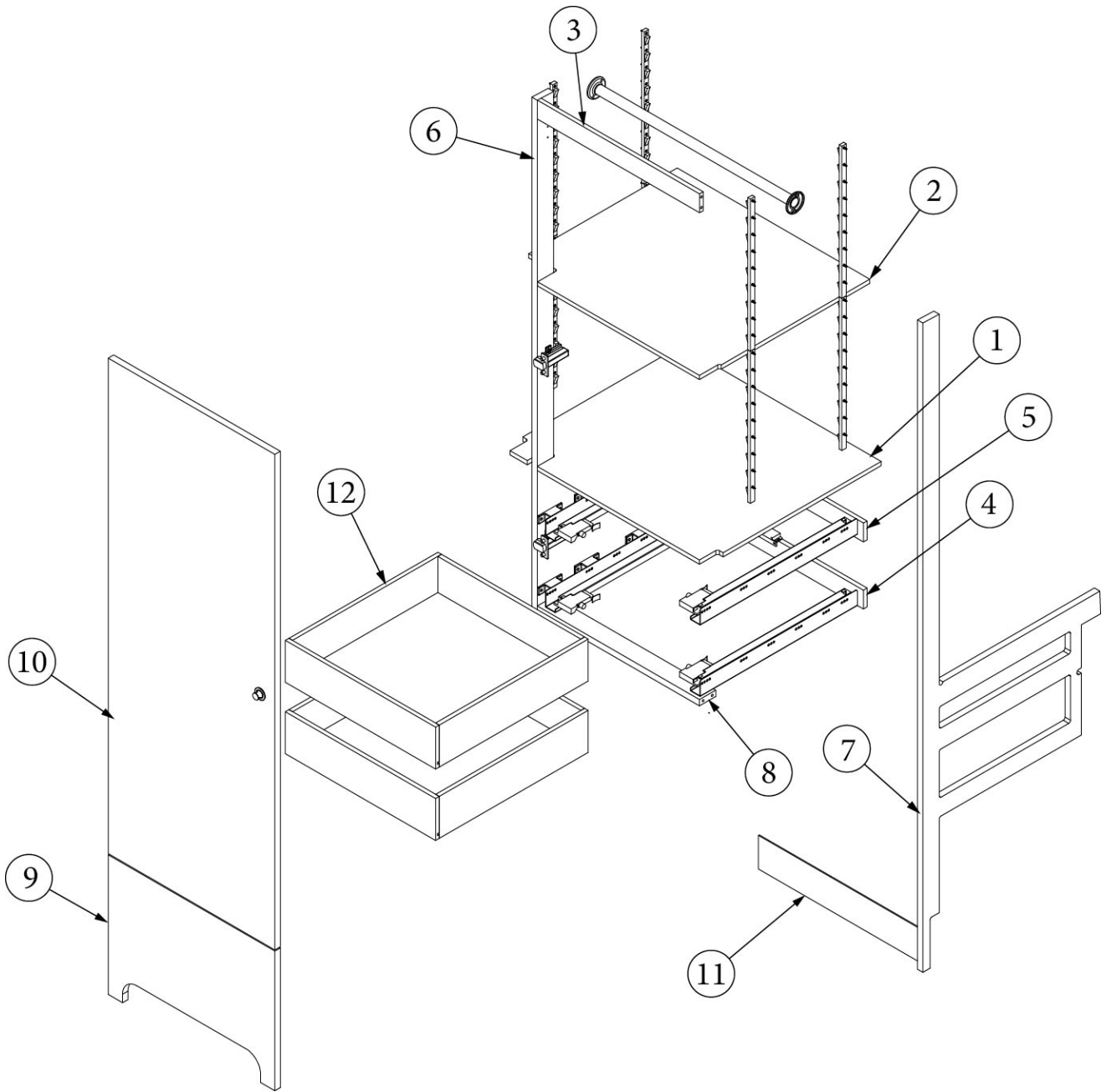
Wardrobe, CS Aft

- |  |   |
|--|---|
| <ol style="list-style-type: none"> <li>1. 969826&amp;000112BB</li> <li>2. 969826&amp;000212BB</li> <li>3. 969826&amp;000312BB</li> <li>4. 969826&amp;000412BB</li> <li>5. 969826&amp;000512BB</li> <li>6. 969826&amp;000612BB</li> <li>7. 969826&amp;000712BB</li> <li>8. 969826&amp;000812BB</li> <li>9. 969826&amp;000912BB</li> <li>10. 969826&amp;001018BB</li> <li>11. 969826&amp;001118BB</li> <li>12. 969826&amp;001218BB</li> <li>13. 969826&amp;001318BB</li> <li>14. 969826&amp;002718BB</li> <li>15. 969826&amp;001503BE</li> <li>16. 455808</li> <li>17. 204147</li> </ol> | <p>Pre laminate, 26 x 77.54"</p> <p>Pre laminate, 2.25 x 26.58"</p> <p>Pre laminate, 2.25 x 47.91"</p> <p>Pre laminate, 5.63 x 74.13"</p> <p>Pre laminate, 7.13 x 77.41"</p> <p>Pre laminate, 25 x 25.75"</p> <p>Pre laminate, 25.75 x 25.75"</p> <p>Pre laminate, 23 x 25.75"</p> <p>Pre laminate, 3.00 x 10.62"</p> <p>Pre laminate, 2.25 x 76.66"</p> <p>Pre laminate, 26.4 x 32.75"</p> <p>Pre laminate, 26.4 x 32.75"</p> <p>Pre laminate, 11.45 x 43"</p> <p>Pre laminate, 14.63 x 43"</p> <p>Pre laminate, 5.63 x 77.13</p> <p>Vent Cover</p> <p>Plastic Mesh, Stretchable, 4' x 4'</p> <p>Extrusion, Corner trim, .5"</p> <p>Corner brace</p> <p>Brace, 1", Stanley corner</p> <p>Baseplate, Grass, 9.5 x 37/32</p> <p>Hinge, Nickel Plated, 110° Swing</p> <p>Caps, Cover, Grass</p> <p>Standoff bracket w/mount holes</p> <p>Catch, Grabber door, 5LB</p> <p>Shelf strip, Speedy, 18"</p> <p>Knob, Push/pull, Black Nickel</p> <p>Closeout, CS rear wardrobe</p> <p>Dome, BPR, 1/4" x 1/16"</p> <p>Edgebanding, 5/8" Macchiato</p> <p>Edgebanding, 15/16" Macchiato</p> |
|--|---|



# FURNITURE, LAVATORY

## Wardrobe, CS with Drawers



Parts Listed on Next Page

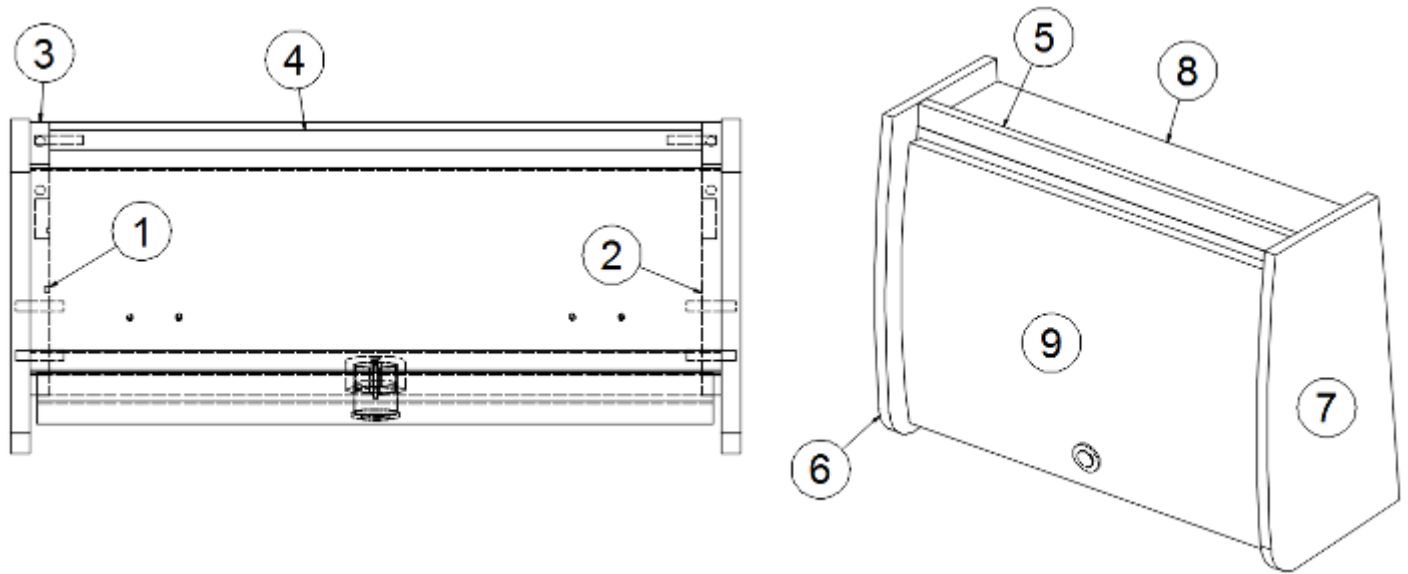
## FURNITURE, LAVATORY

### Wardrobe, CS with Drawers

|                     |                                      |
|---------------------|--------------------------------------|
| 970437              | CS Tall Wardrobe with Drawers        |
| 1. 970437&000112BB  | Pre laminate, 24.25 x 27.57"         |
| 2. 970437&000212BB  | Pre laminate, 23.18 x 26.5"          |
| 3. 970437&000312BB  | Pre laminate, 2.25 x 22.32"          |
| 4. 970437&000412BB  | Pre laminate, 2.25 x 27.57"          |
| 5. 970437&000512BB  | Pre laminate, 2.25 x 27.57"          |
| 6. 970437&000618BB  | Pre laminate, 77.37 x 24.45"         |
| 7. 970437&000718BB  | Pre laminate, 77.37 x 24.45"         |
| 8. 970437&000818BB  | Pre laminate, 2.25 x 22.32"          |
| 9. 970437&000918BB  | Pre laminate, 22.94 x 16.63"         |
| 10. 970437&001118BB | Pre laminate, 22.94 x 59.04"         |
| 11. 970437&001203BE | Pre laminate, 4 x 23.5"              |
| 12. 970462-01       | Drawer Box, No Face, 5 x 20.69 x 21" |
| 365412-01           | Edgebanding, 5/8" Macchiato          |
| 365412-02           | Edgebanding, 15/16" Macchiato        |
| 382059-02           | Knob, Push/pull, Black Nickel        |
| 380045              | Tubing, .75", Metallic               |
| 380046              | Flange, Chrome                       |
| 381228-02           | Catch, Grabber door, 5LB             |
| 381527              | Shelf strip, 18"                     |
| 381607-12           | Baseplate, Grass, 9.5 x 37/32        |
| 381607-18           | Hinge, Nickel Plated, 110 Swing      |
| 381607-110          | Caps, Cover, Grass                   |
| 383049              | Spacer, Drawer Slide, Black, 1"      |
| 382820-05           | Drawer slide, Self-close, 21"        |
| 382820-06           | Clips, Adjustable undermount slides  |

## FURNITURE, LAVATORY

### Roof Locker, RS Bathroom



969044

RS Bathroom Roof Locker

|                    |                                |
|--------------------|--------------------------------|
| 1. 969044&000112BB | Panel, 7.04 X 11.29            |
| 2. 969044&000212BB | Panel, 7.04 X 11.29            |
| 3. 969044&000312BB | Panel, 6.50 X 17.76            |
| 4. 969044&000412BB | Panel, 2.25 X 16.76            |
| 5. 969044&000512BB | Panel, 1.0 X 17.76             |
| 6. 969044&000612BB | Panel, 8.61 X 14.50            |
| 7. 969044&000712BB | Panel, 8.61 X 14.50            |
| 8. 969044&000818BB | Panel, 5.25 X 17.76            |
| 9. 802298-1239     | Door, 12.38 x 17.38, Plyform   |
| 382059-02          | Knob, Push/pull, Black Nickel  |
| 382227             | Hinges, overhead Spring Nickel |
| 381688             | Rubber bump-on, Clear          |
| 365412-01          | Edgebanding, 5/8" Macchiato    |
| 365412-02          | Edgebanding, 15/16" Macchiato  |

## HARDWARE

### Seat Belts and Brackets

|           |                                     |
|-----------|-------------------------------------|
| 382190-02 | Seat belt, End release, 100"        |
| 455562    | Bracket, Sofa top plate             |
| 455535    | Bracket, Sofa lower mount           |
| 382534-01 | Bracket, Curved prop rod, LH        |
| 382534-02 | Bracket, Curved prop rod, RH        |
| 455483    | Bracket, Shower valve mounting      |
| 455482    | Bracket, Lower shower wall mounting |
| 455619    | Bracket, Shower head mounting       |
| 602641-02 | Bracket, Wall mount, Kohler         |
| 455524    | Frame, Forward, Fresh water tank    |
| 455526    | Frame, Aft, Fresh water tank        |
| 455527    | Frame, Lower, Fresh water tank      |
| 455267-03 | Bracket, Lower, Grey tank, RS       |
| 455267-01 | Bracket, Lower, Grey tank, CS       |
| 455267-02 | Bracket, Upper, Grey tank           |
| 455765    | Bracket, TV closeout                |
| 454901    | Bracket, LP quick disconnect        |
| 455497    | Bracket, Macerator pump             |

### Hinges

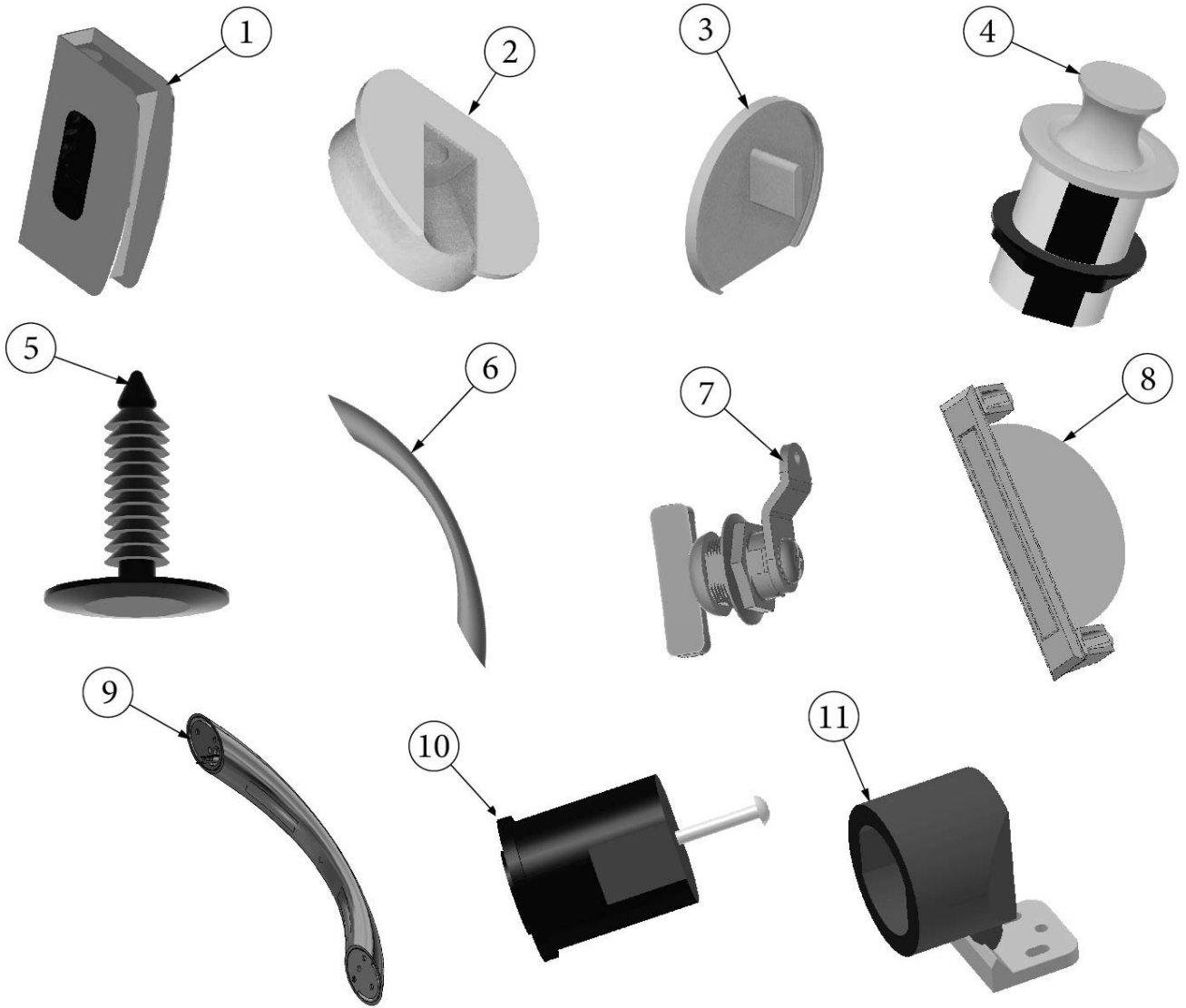
|            |  |
|------------|--|
| 382227     | Hinge, Overhead spring, Nickel         |
| 455442     | RH, Murphy Bed Hinge                   |
| 381607-04  | Hinge Screw, Grass, #6 X 5/8 FHP       |
| 381607-12  | Baseplate, Grass, 9.5 x 37/32          |
| 381607-16  | Clip, Steel Grass Hinge                |
| 381607-18  | Hinge, Nickel Plated, Grass, 110 Swing |
| 381607-110 | Caps, Cover, Grass                     |
| 382125     | Piano hinge, Clear                     |
| 115694     | Extrusion, Door hinge                  |
| 383035     | Hinge, Scissor, SS                     |
| 380203-02  | Piano hinge, Aluminum, 2" open width   |

### Bathroom Accessories

|           |                                   |
|-----------|-----------------------------------|
| 382417    | Towel bar, 18", Oil Rubbed Bronze |
| 704356-17 | Towel set, Lago Palm              |

# HARDWARE

## Handles, Latches, and Fasteners



Parts Listed on Next Page

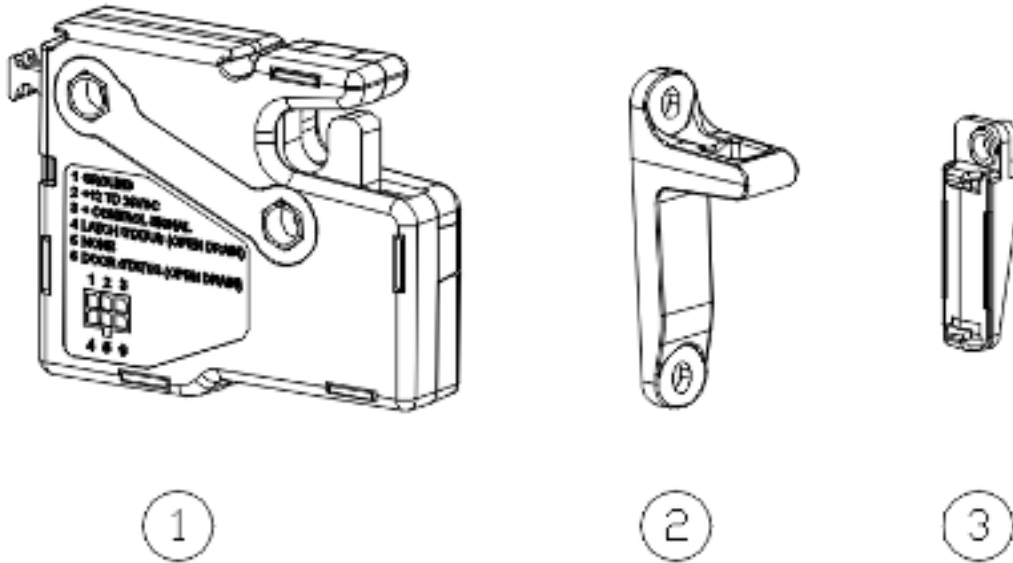
## HARDWARE

### Handles, Latches, and Fasteners

1. 382805-01 Latch, Latch system, Satin Nickel
- 382805-02 Rod, W/Guide
- 382805-03 Hanger kit, Latch system
- 382805-04 Track, Latch system
- 382805-05 Stopper, Latch system
2. 382057 Knockdown
3. 382057-01 Cap, Knockdown, Light Brown
- 382057-02 Cap, Knockdown, Gray
- 382057-03 Cap, Knockdown, Dark Brown
- 382057-04 Cap, Knockdown, Off-White
4. 382059-02 Knob, Push/pull, Black Nickel
5. 382062 Fastener, Finned, .25"
6. 512960 Grab handle, Interior
7. 382381 Cam latch, Wing handle
8. 382420 Concealed pull, Murphy bed, Black
9. 513037 Grab Handle, LED
10. 382613-01 Knob, Black Nickel
11. 382613-02 Latch, Black Nickel
- 381228-02 Catch, Grabber door, 5LB

## HARDWARE

### Electronic Rotary Latch



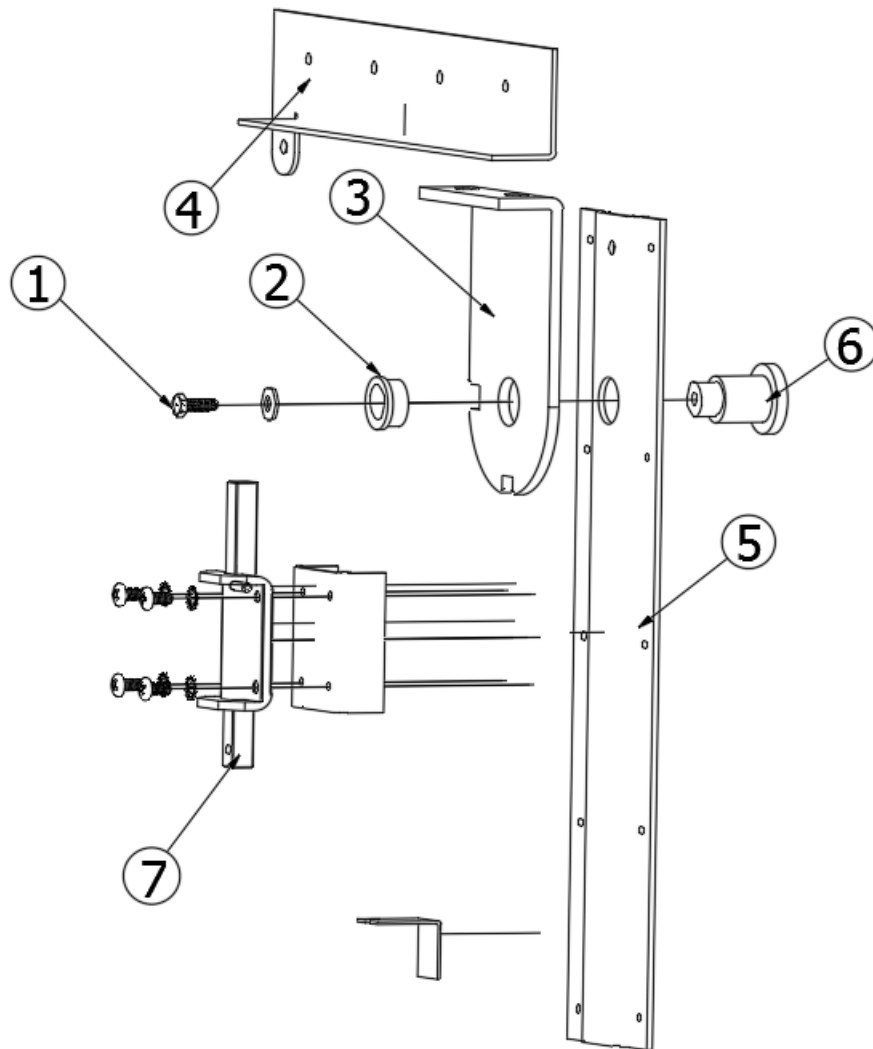
1. 512962-01 Rotary latch, Southco
2. 512962-02 Striker w/magnets
3. 512962-03 Manual override bracket
- 512962-04 wire harness

### Gas Struts and Door Props

- 112596 Install, Door Struts (not for order/see parts below)
- 135193 Install, Door Struts, E1 Package (not for order/see parts below)
- 382530 Gas strut, 40#, 15.75" extended
- 382540 Gas strut, 30#, 12" extended
- 382534-01 Curved prop bracket, Left hand
- 382534-02 Curved prop bracket, Right hand
- 382507-01 Ball stud, .54" thread
- 382684 Generator Door Prop
- 382684-01 Door Prop, E1 Package Option
- 455955 Bracket, Door prop, E1 Package Option

## HARDWARE

### Murphy Bed Lock Hinge



455442

RH, Murphy Bed Hinge

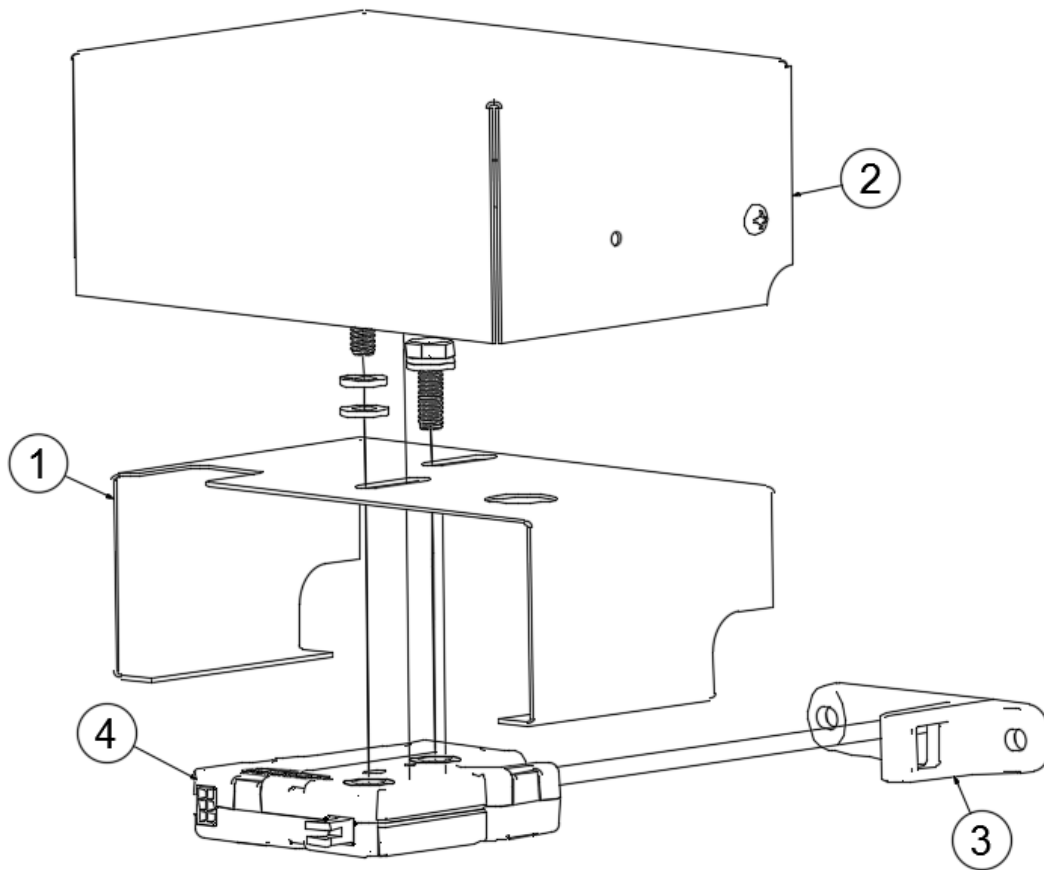
1. 345276-03
2. 382392
3. 455138
4. 455139-02
5. 455184
6. 455185
7. 455442-012  
455442-5

Bolt Hex. Hd. 1/4-20 X 3/4in  
Press-Fit Drill Bushing W/Head  
Bracket-Bed Wall Swing Atlas  
Brkt-Bed Base Mtg - Rh  
Brkt-Bed Base Swing  
Pin Bed Swivel Atlas  
Slide Bolt Latch For Bracket  
Slide bolt riser



## HARDWARE

### Latch and Manual Override



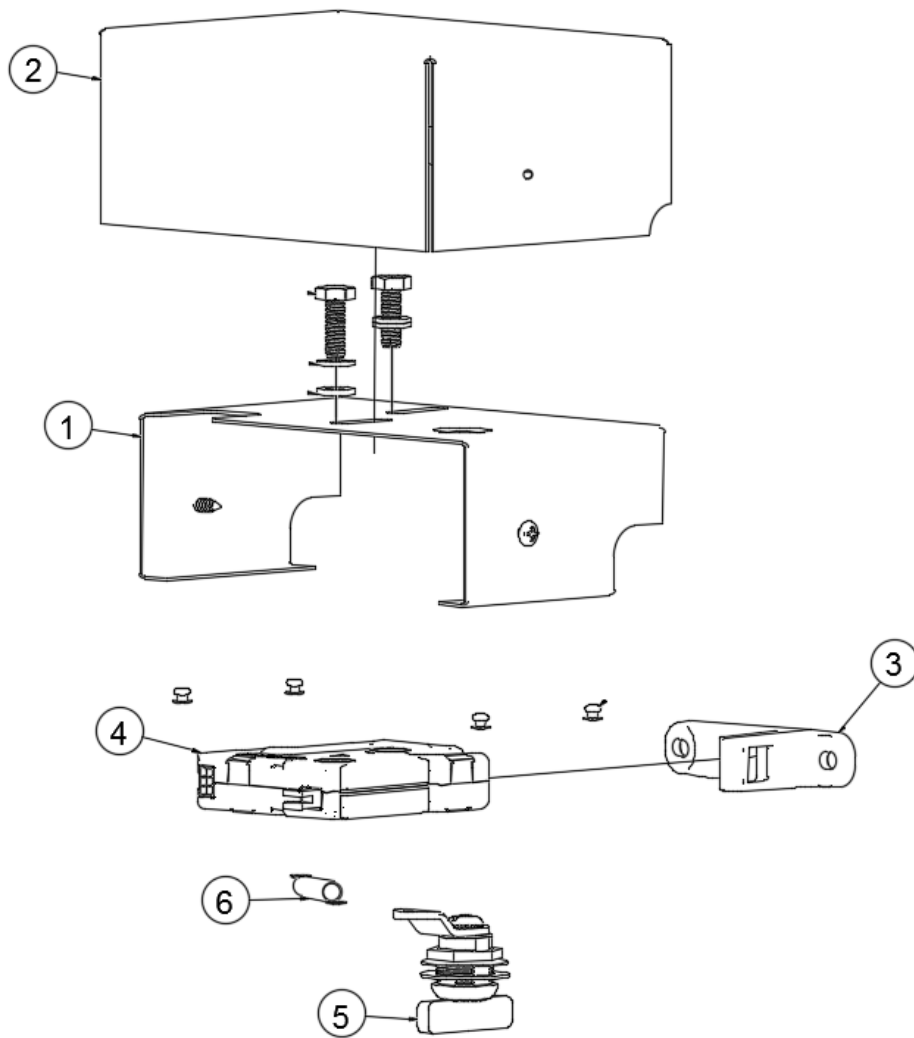
112600

Latch/Manual Override (not for order/see parts below)

- |              |                                   |
|--------------|-----------------------------------|
| 1. 455353    | Compartment latch stand           |
| 2. 455354    | Compartment latch cover           |
| 3. 512962-02 | Striker w/magnets, Southco        |
| 4. 512962-01 | Electronic rotary latch, Southco  |
| 300111-25    | Washer, Flat, .25"                |
| 300072-04    | Washer, Lock, .25"                |
| 345276-03    | Bolt, Hex head, .25-20            |
| 320116-02    | Screw, Phil head, #8 x 1/2, Black |

## HARDWARE

### LPG Latch and Manual Override



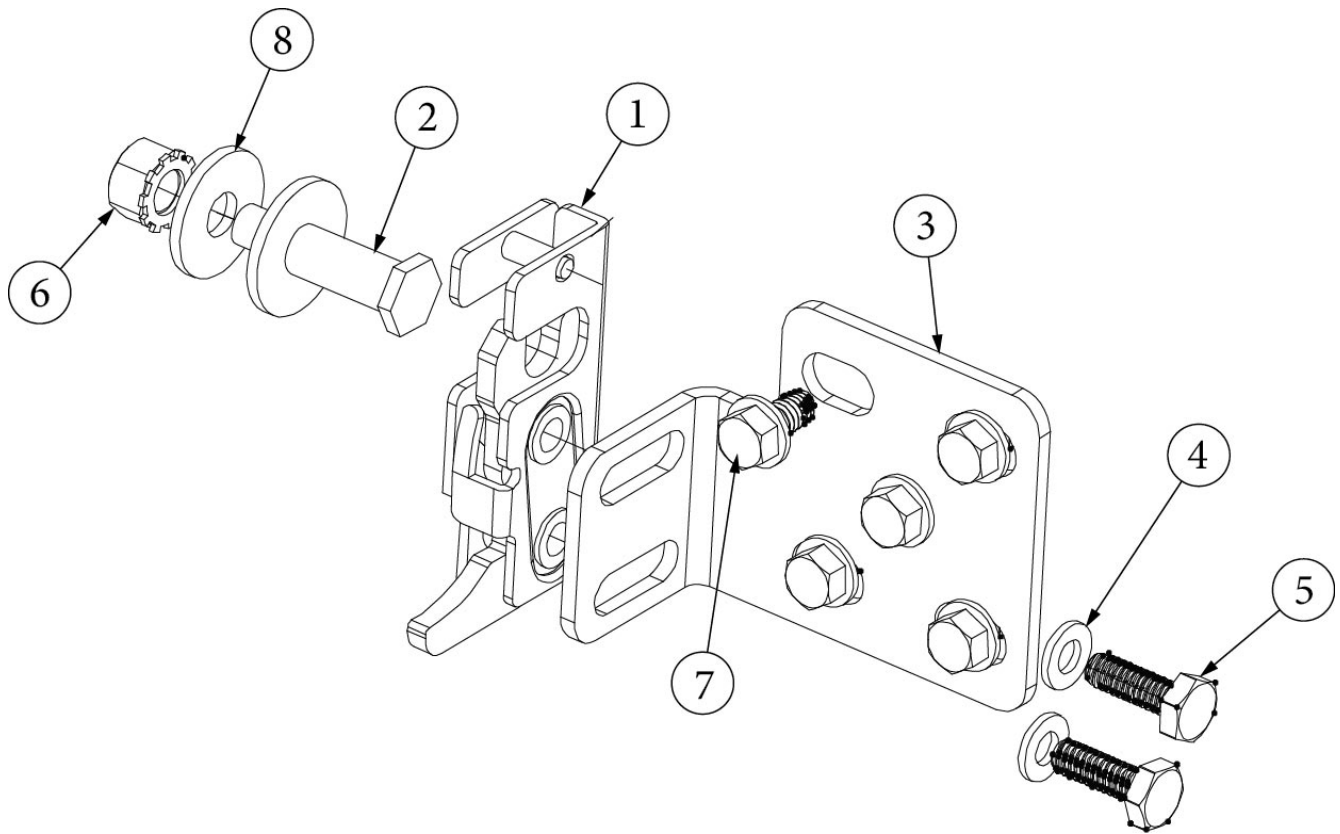
112401

LPG Latch/Manual Override (not for order/see parts below)

- |              |                                   |
|--------------|-----------------------------------|
| 1. 455083    | Compartment latch stand           |
| 2. 455084    | Compartment latch cover           |
| 3. 512962-02 | Striker w/magnets, Southco        |
| 4. 512962-01 | Electronic rotary latch, Southco  |
| 5. 382381    | Cam latch, Wing handle            |
| 6. 345633    | Extension springs w/loop ends     |
| 300111-25    | Washer, Flat, .25"                |
| 300072-04    | Washer, Lock, .25"                |
| 345276-03    | Bolt, Hex head, .25-20            |
| 320116-02    | Screw, Phil head, #8 x 1/2, Black |

## HARDWARE

### Generator Latch and Lock



112828

Generator Latch/Lock (not for order/see parts below)

1. 382646
2. 382647
3. 455531
4. 300111-25
5. 345276-03
6. 350256
7. 320268
8. 345608

- Latch - Mini Rotary  
Bolt- Striker  
Bracket - Rotary Latch  
Washer, Flat, 1/4"  
Bolt Hex. Hd. 1/4-20 X 3/4in  
Locknut-W/Tooth Washer- M8 x 1.25  
Screw Hex Head, Zinc, 1/4 x 3/4", Self-Drilling  
Washer, M8 x 24mm OD

## HARDWARE

### Rivets

|           |  |
|-----------|--|
| 325121-03 | Rivet, Alum. Gesipa .050-.500          |
| 325127    | Rivet, Magna Lok .38"#MGLPR1212        |
| 325130    | Rivet, Nut-Rivet, For Plas-Zinc Plated |
| 325132    | Rivet, Bulb Tite.25" Steel# Gesipa     |
| 330031-01 | Rivet, 3/16 X 5/8, SSD68SSBS           |
| 330126-02 | Rivet, Pop, SSD43SSBS                  |
| 330127-03 | Rivet, 1/8" AD43ABS                    |
| 330127-05 | Rivet, 1/8" AD45ABS                    |
| 330134-05 | Rivet, Countersunk, Olympic            |
| 330151    | Rivet, 5/32" Multi Grip Blind          |
| 330155    | Rivet, .125" Alum W/Ss Mantrel         |
| 330164    | Rivet, Magna-Lock CS SS 3/16"          |
| 330167    | Rivet, 1/8" Trifold-0.00 To .25        |
| 350259-01 | Rivet Nut, Wedge Head, 1/4/20          |

## HARDWARE

### Screws

|           |                                 |
|-----------|---------------------------------|
| 320029    | Screw, #8x3/4 Pan Head Phil Dr  |
| 320029-01 | Screw, #8x1/2 Type A 18         |
| 320035    | Screw, 8x1/2 Ph Type A Phil Wd  |
| 320111    | Screw, #8 X 3/4"-Sd-Pph-Ss      |
| 320116-02 | Screw, #8 X .500"-Ph-Blk        |
| 320116-03 | Screw, #8x.625 Pan Head P.P.H.S |
| 320116-04 | Screw, Sheet Metal #8 Blk       |
| 320116-10 | Screw, Sheet Metal #8 Blk 1.5   |
| 320139    | Screw, #8x.75"W/#10 Washer      |
| 320161    | Screw, Self-Tap HD 1/4-14 X 1.5 |
| 320165-02 | Screw, #6 X 1.125" Ph FH Black  |
| 320171-08 | Screw, #8 X 1.25" Ph Gray       |
| 320171-10 | Screw, #8 X 1.50" Ph Gray       |
| 320171-11 | Screw, #8 X 2.00" Ph Gray       |
| 320171-12 | Screw, #8 X 2.50" Ph Gray       |
| 320171-13 | Screw, #8 X 3.00" Ph Gray       |
| 320172    | Screw, Truss, Ss #10 X 1.25"    |
| 320211    | Screw, #8 X 0.75" - Ss -Black   |
| 320235    | Screw, Panhd-M4x10mm-Ph-Ss-Blk  |
| 345084    | Screw, 1/4-14x1 THD. Cutting    |
| 345355    | Screw, #8 X 3/4 FH Ph Ss        |
| 345387    | Screw, 1/4-14 X .75" Self Drill |
| 345560    | Screw, 316 Ss 10-32 X 3/4" Pan  |
| 345566-03 | Screw, M6x1x1x1.18 HD Cap       |
| 345570    | Screw, M6 X1x 20mm Ph Ss 18-8   |
| 345573    | Screw, #6x .5"Fh Undercut       |
| 345576    | Screw, 1/4-20 X .75 Hex HD Cap3 |
| 345581    | Screw, Cap Hex Head 3/8-16 X 4" |
| 345607    | Screw, Cap M8 X 1.25 X 70mm     |
| 345636    | Screw, #10-24x1/2" Ss Fh#92210a |
| 345645    | Screw, #4 X .375" Ph            |
| 345655    | Screw, #8 X 1.5" FH Ph Ss       |
| 381609-02 | Screw, Hafele European #9 1"    |
| 381609-05 | Screw, Hafele European #9 1 1/2 |
| 382426    | Screw, 1/4"-20 Pan HD Phil 3/4" |

## SAFETY EQUIPMENT

### Detectors and Fire Extinguisher

|           |                                |
|-----------|--------------------------------|
| 512260    | Detector-Smoke/Carbon Monoxide |
| 690381-02 | Fire extinguisher              |
| 513796    | Detector-LP-CO2                |

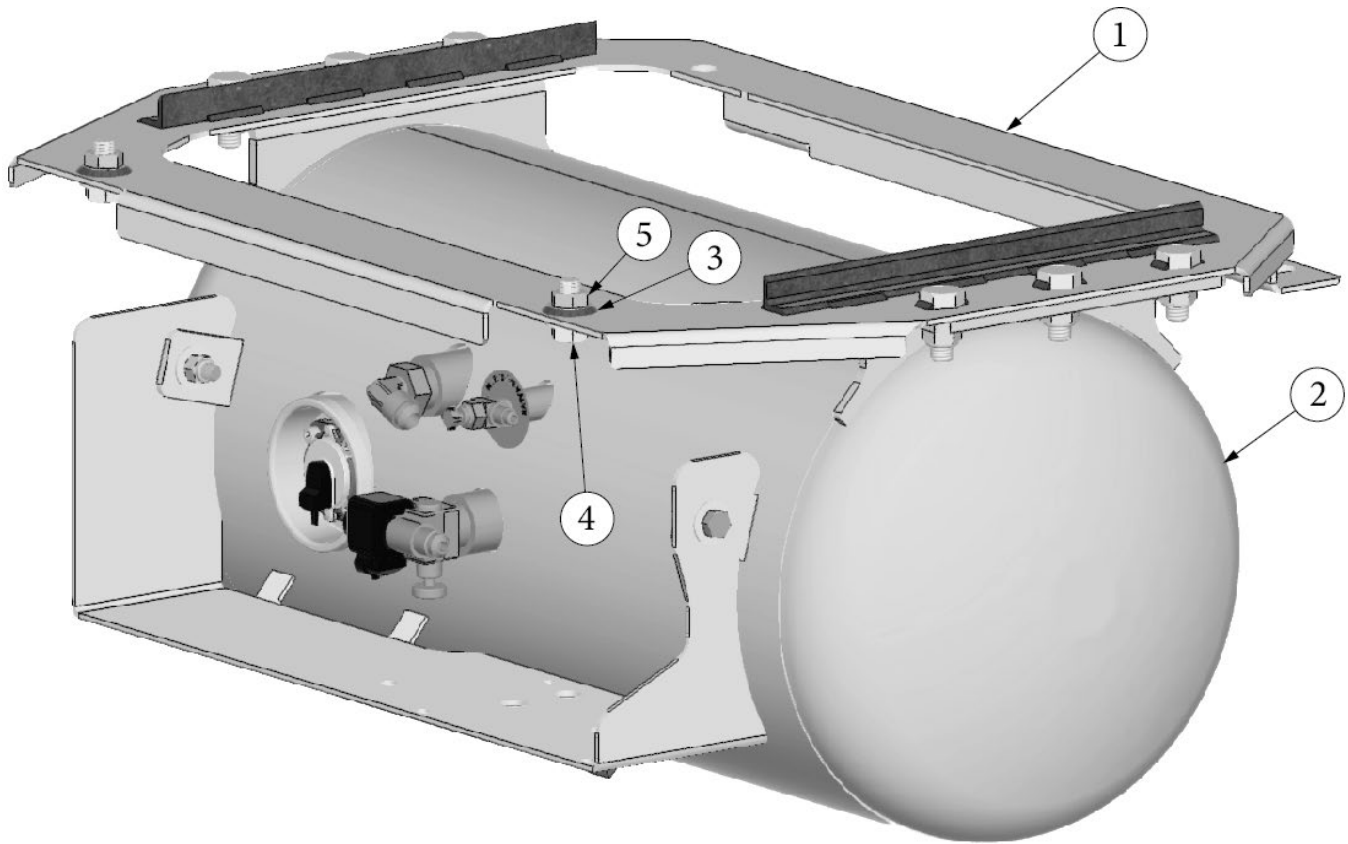
## LABELS AND TAGS

### Labels and Tags

|           |                                      |
|-----------|--------------------------------------|
| 386121    | Label, LPG Gas Warning Label (Odor)  |
| 386122    | Warning Label/Cooking Appliance      |
| 386303    | Cleaning Instruction Label           |
| 386120    | Label, Smoke Detector                |
| 386370    | Warning Label - Vans                 |
| 385465    | Exit Label, English                  |
| 386119    | Label, "Do Not Store Combustible"    |
| 386124    | Label, Refueling Warning             |
| 386189    | Label, Warning No Seatbelts          |
| 386330    | Label, Auto Step w/Ext LED Hole      |
| 386291    | Label, Warning Battery Ground        |
| 386249    | Label, No Storage Compartment        |
| 386252    | Label Hepvo Warning                  |
| 386389    | Hang Tag, Murphy Bed                 |
| 386477    | Label, Solar Prewire                 |
| 386556-08 | Label, QR Code, Atlas                |
| 386113    | Label, Rvia Gold                     |
| 386123    | Label, "Potable Water Only"          |
| 386118    | Label, LPG Gas Warning/Fill          |
| 386558    | Decal, 110-125 Volt Perm Adhesive    |
| 386308    | Emblem, "Atlas", Chrome              |
| 386373    | Decal, On/Off LPG Remote Fill        |
| 386328    | Decal, "Airstream", Chrome           |
| 602205-12 | Sticker, Instruction Macerator       |
| 386227-03 | Label, Hitch Weight, 4000 lb         |
| 386376    | Emblem, "Mercedes Benz", 8"          |
| 365421    | Decal, LP fill/bleeder valve         |
| 386335    | Label, LP service port, 10K BTU      |
| 386331    | Label, Caution Automatic Step        |
| 386306    | Label, Travel Warning                |
| 386366    | Decal - Warning Light Auto Gen Start |
| 385966    | Label, Inverter Circuit              |
| 386552    | Label, Vented Battery Compartment    |
| S00417    | Labels, GFI Protected                |
| 386357    | Label, Door Lid Notice               |

## PLUMBING, LPG SYSTEM

### LPG Tank Install



112977

LP Tank Install (not for order/see parts below)

- |              |                                  |
|--------------|----------------------------------|
| 1. 455532    | Weldment, Plate LPG frame        |
| 2. 602955    | LPG tank, 12.2 gallon            |
| 3. 300147    | Washer, Flat ID .53" OD 1.1"     |
| 4. 345269-04 | Bolt, Hex head, 1/2-13 x 1, GR 5 |
| 5. 350147-50 | Nut, Nylon lock, 1/2-13          |

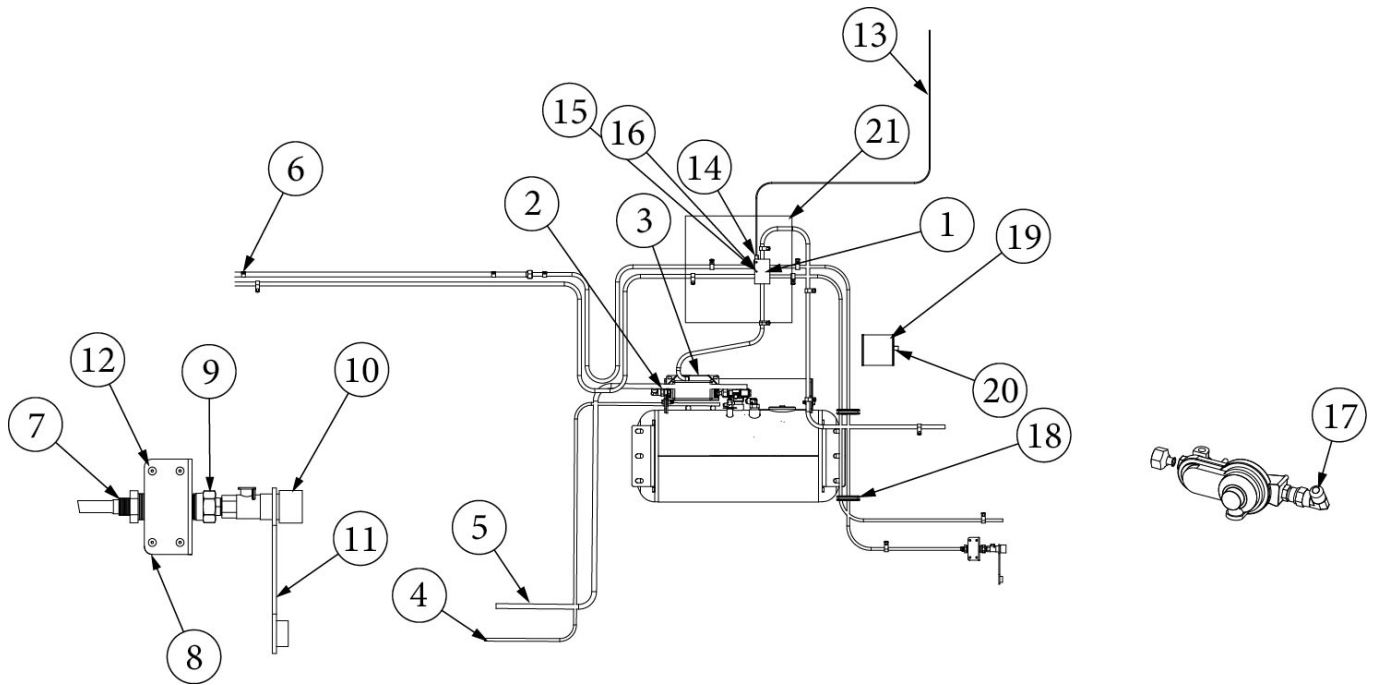
### LP Remote Fill

455699 Remote fill Bracket



# PLUMBING, LPG SYSTEM

## LPG System



Parts Listed on Next Page

## PLUMBING, LPG SYSTEM

### LPG System

944059

### LP System

1. 602483 LP Hose/Manifold System
2. 943833 Kit, LP Regulator, 3/8"F 1/2"
3. 602977 LP Tank Regulator Cover, Black
4. 602603 Hose, 1/4 x 60 Type III LP 1/4 FI
5. 602604 Hose, 1/2 x 60 Type III LP 1/2 FI
6. 340085-05 Clamp, #Coy 1109, 5/8 In. Dia.
7. 601412-08 Adapter, .5" MPT X .375" MFLR
8. 454901 Bracket, LP, Quick Disconnect
9. 602286 Nipple, .5" Mpt X .25" MPT Brass
10. 602109-01 Coupler, Disconnect, .25"PTt x QD
11. 602109-03 Dust Plug
12. 330031 Rivet, Blind SSD 68bs 3/16x5/8
13. 500839 Wire, Bare Copper, 8 Ga.
14. 500038 Lug, Ground
15. 350158-01 Washer, Lock, Tooth, (Int-Ext)
16. 320161 Screw, Self Tap HD 1/4-14 X 1.5
17. 602757 Elbow, .5"M-FLR x .5"F-Swivel
18. 382802 Grommet, Rubber-2.5" Hole
19. 116388 Bracket, Clamp Hanger, Atlas
20. 340085-09 Clamp, Loop Style, W/Rubber 1.5"
21. 115811 Plate, Satellite
- 201267-07 Convoluted Conduit, 5/8" Black
- 500501-01 Wire Tie, Nylon, 15" Black

## PLUMBING, FRESH WATER SYSTEM

### Fresh Water Tank

|           |  |
|-----------|--|
| 602773    | Fresh Water Tank - Atlas                   |
| 455524    | Frame-Fresh Water Tank FWD                 |
| 455527    | Frame-Freshwater Tank-Lower                |
| 455526    | Frame-Fresh Water Tank-AFT                 |
| 454664-04 | Rod-14.75"Fresh Water Tank                 |
| 455098    | Bracket, Chassis compression               |
| 602137    | Valve, Shut off, .5 Barb x 3/8 compression |
| 601723    | Filter screen                              |
| 601668-01 | Strainer, Fresh water pump                 |
| 511812    | Heating pad                                |
| 513069-01 | Flush mount monitor panel only             |
| 514051-01 | Tank Sensor, 12"                           |
| 365417    | Tape, Extreme sealing, 3M                  |
| 360389    | Rubberized Undercoating, 3M                |

### Exterior Shower

|           |                                |
|-----------|--------------------------------|
| 602288-02 | Hose w/sprayer, 15'            |
| 602288-10 | Exterior shower outlet, Faucet |

### City Water Hook-Ups

|           |                                     |
|-----------|-------------------------------------|
| 601392-06 | City water fill w/regulator, 50 PSI |
| 513079    | Switch, Momentary w/light           |

### Water Pump

|           |                               |
|-----------|-------------------------------|
| 602177-01 | Water pump, Flojet            |
| 602177-02 | Strainer, Mini assembly       |
| 602177-05 | Pump port, Quick connect, 90° |
| 601668-01 | Strainer, Fresh water pump    |

## PLUMBING, FRESH WATER SYSTEM

### Faucet and Sink, Galley

|        |   |
|--------|---|
| 602551 | Sink, Undertone, Single bowl, Stainless Steel |
| 602634 | Faucet, Single hole, Simplice, K-597-VS       |
| 600968 | Basket strainer                               |

### Faucet and Sink, Lavatory

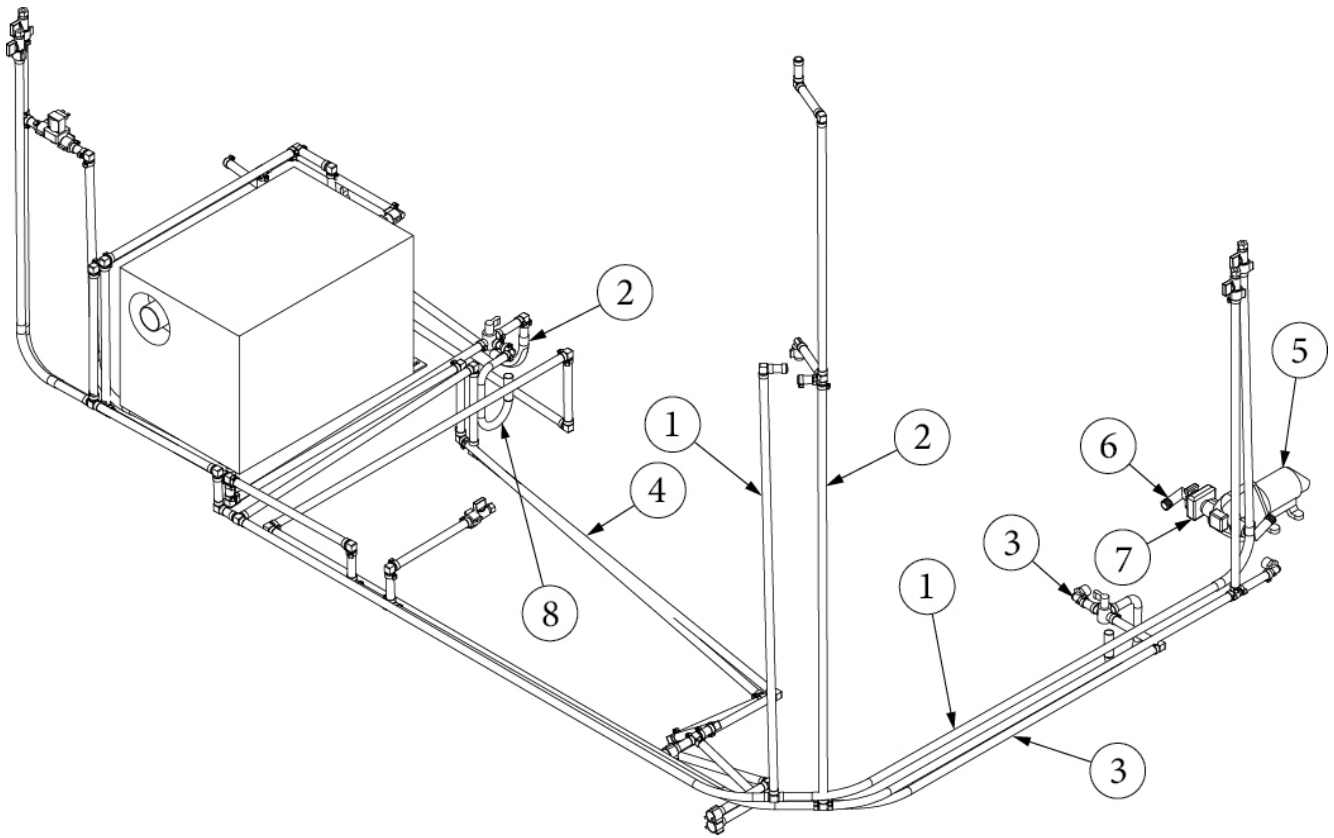
|           |   |
|-----------|---|
| 602571    | Lavy sink, Undermount, Kohler                 |
| 453833    | Clip, Sink mount                              |
| 602871-01 | Faucet, Single handle, Pfister, Tuscan Bronze |

### Shower Accessories

|           |   |
|-----------|---|
| 602978    | Showerhead, Hand-held                   |
| 602640    | Valve trim kit, Alteo Orb               |
| 602401    | Valve, Rite-temp, 1/2" pressure balance |
| 602637    | Hose, 60", Orb #K45982-2BZ              |
| 602638    | Elbow, Wall mount                       |
| 455483    | Bracket, Shower valve mounting          |
| 455619    | Bracket, Shower head mounting           |
| 455482    | Bracket, Lower shower wall mounting     |
| 602641-02 | Bracket, Wall mount, Kohler             |
| 203987    | Caddy, Shower inset shelf               |

# PLUMBING, FRESH WATER SYSTEM

## Fresh Water Lines



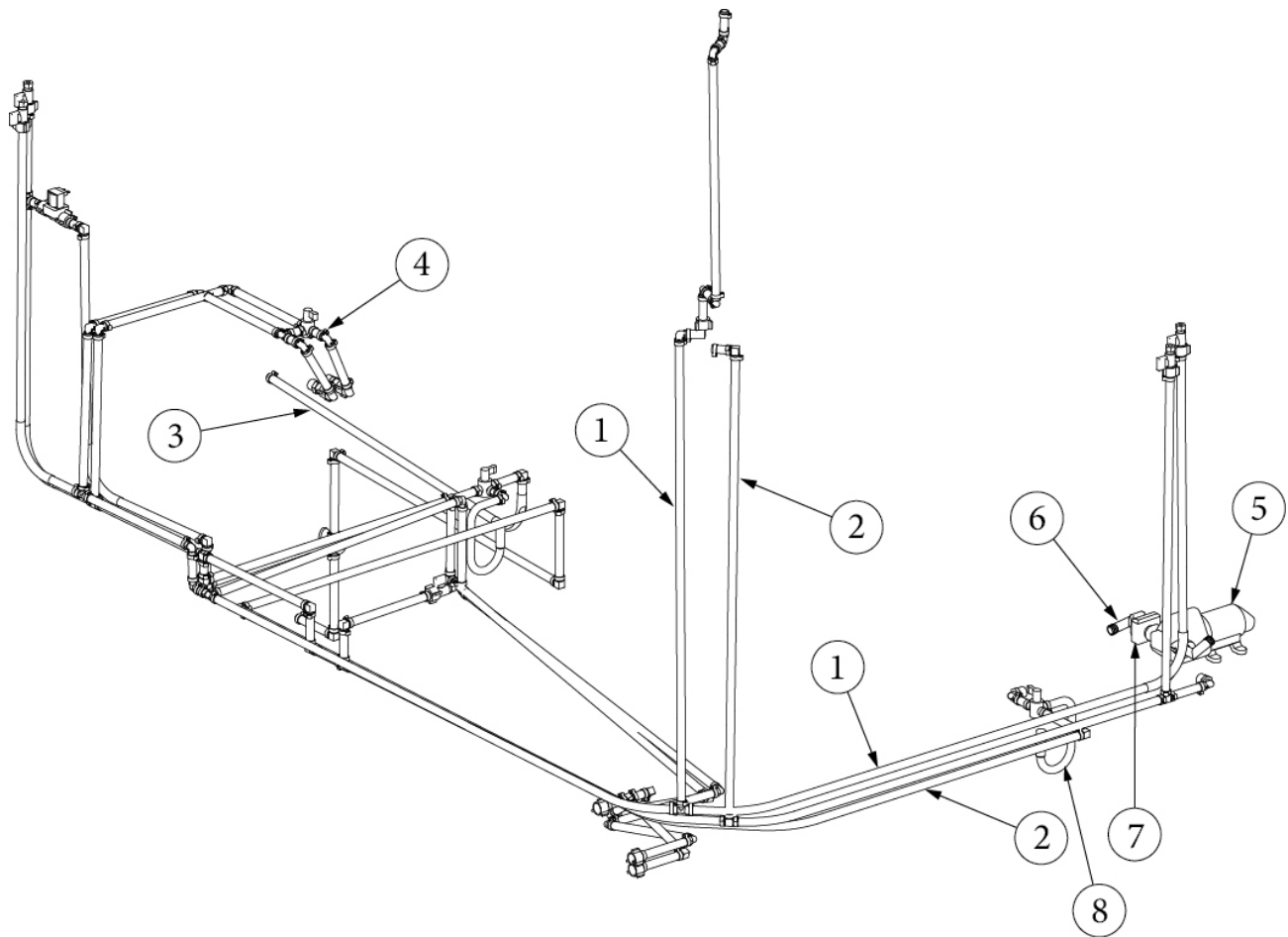
943890

Fresh Water Layout

- |              |                                     |
|--------------|-------------------------------------|
| 1. 943817-01 | Fresh Water Lines- Hot Atlas        |
| 2. 943890-01 | Layout, Fresh Water Cold            |
| 3. 943890-02 | Layout, Fw Tank To Pump Cold        |
| 4. 943817-04 | Hot Water Lines- Bypass Atlas       |
| 5. 602177-01 | Pump, Water Flojet #03526500H       |
| 6. 602177-05 | Quick Connect, Pump Port .5" M 90OD |
| 7. 602177-02 | Strainer-Mini Assy #01740300B       |
| 8. 112814    | Assembly, Winterization Kit         |
| 602186       | Flex Hose, 20" Swivel Connector     |

# PLUMBING, FRESH WATER SYSTEM

## Fresh Water Lines, E1 Package Option



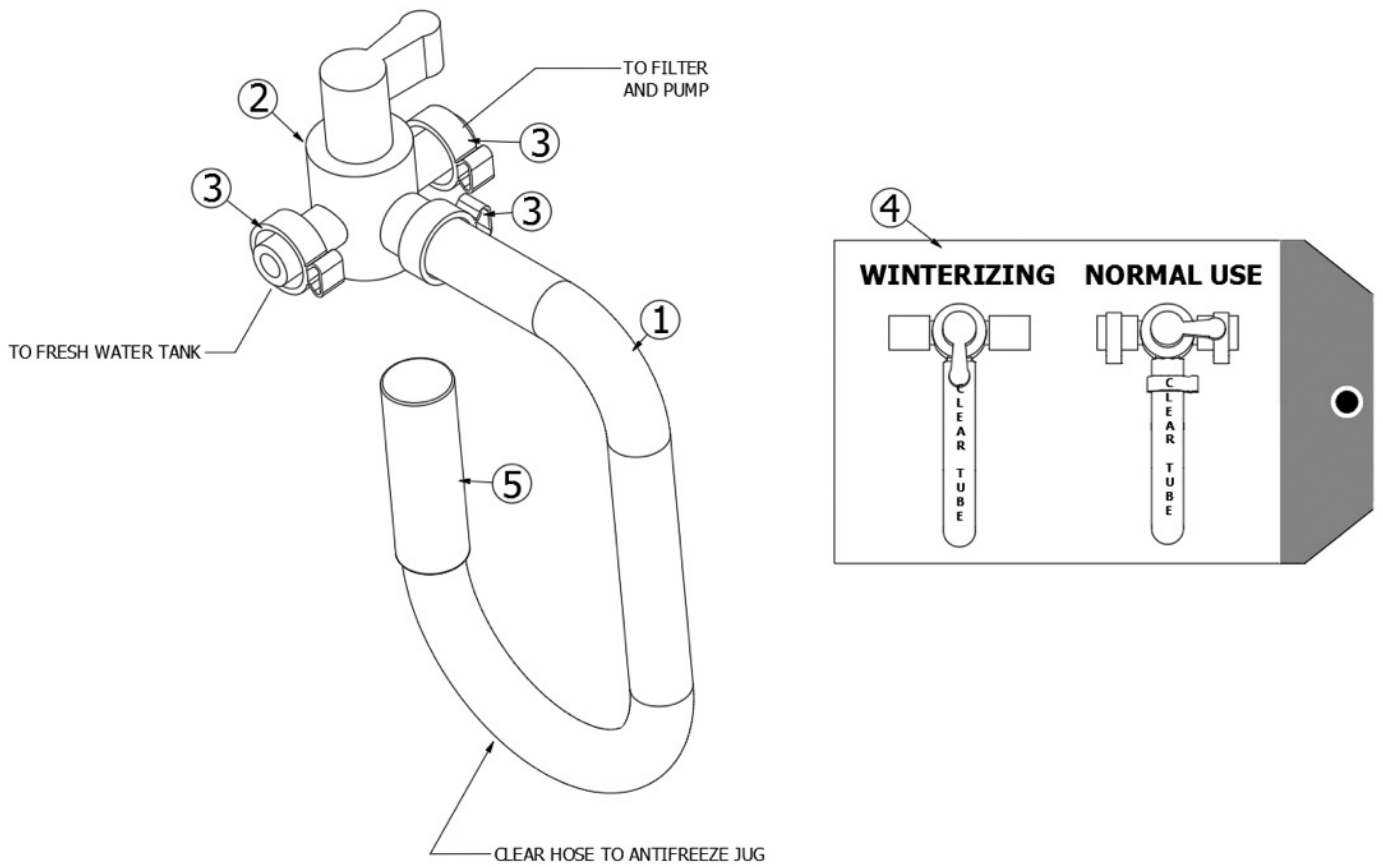
944034

Fresh Water Layout, E1 Package Option

- |              |   |
|--------------|---|
| 1. 944034-01 | Layout, Fresh Water Lines, Hot          |
| 2. 944034-02 | Layout, Fresh Water Lines, Cold         |
| 3. 944034-03 | Layout, Fresh Water, Tank to Pump, Cold |
| 4. 944034-04 | Layout, Water Heater Bypass             |
| 5. 602177-01 | Pump, Water Flojet #03526500H           |
| 6. 602177-05 | Quick Connect, Pump Port, .5"           |
| 7. 602177-02 | Strainer, Mini Assembly                 |
| 8. 112814    | Assembly, Winterization Kit             |
| 602186       | Flex Hose, 20" Swivel Connector         |

# PLUMBING, FRESH WATER SYSTEM

## Winterization Kit



112814

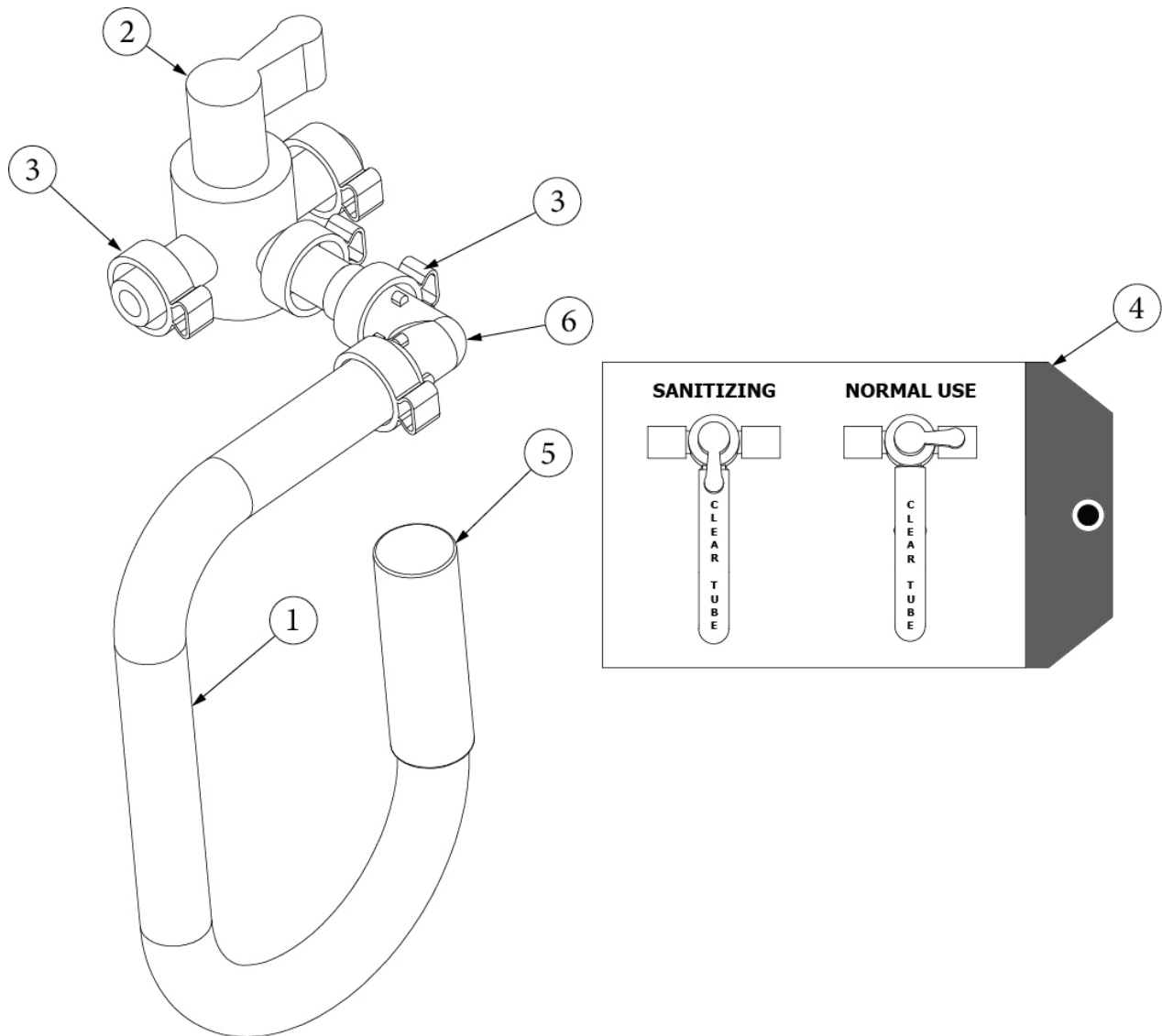
Winterization Kit Installation (not for order/see parts below)

- 1. 601240-01
- 2. 602711
- 3. 601698-15
- 4. 365453
- 5. 602801

Tubing 1/2 I.D. x 3/32 Wall Thick  
Valve-3 Way Bypass .5" PEx #32788  
1/2 CRIMP RING #14785  
Tag, Instruction, Winterization Kit  
Cap, 5/8" ID, Winterization Kit

## PLUMBING, FRESH WATER SYSTEM

### Sanitization Kit



113767

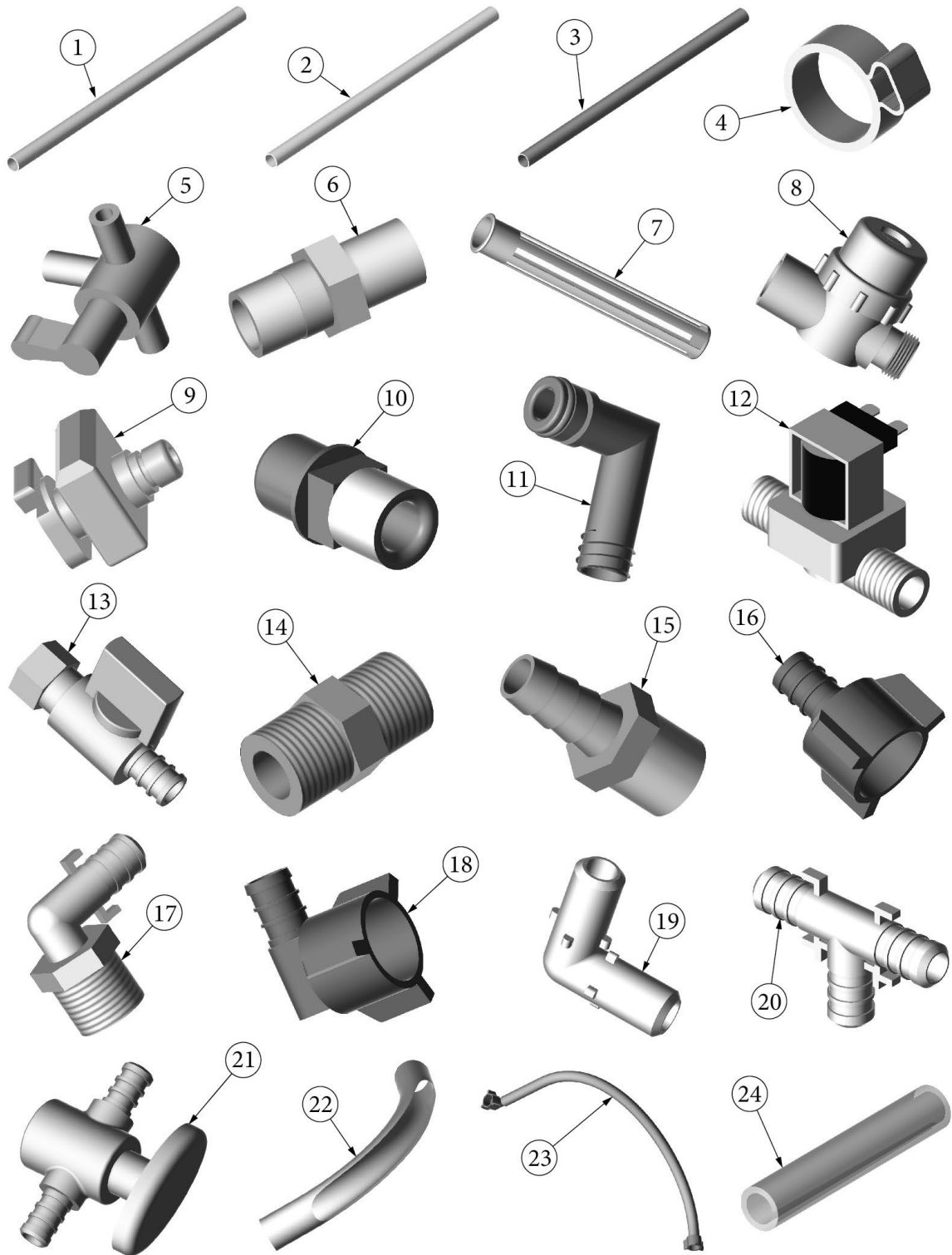
Sanitization Kit Installation (not for order/see parts below)

- |              |                                    |
|--------------|------------------------------------|
| 1. 601240-01 | Tubing 1/2 I.D. x 3/32 Wall Thick  |
| 2. 602711    | Valve, 3-Way Bypass, .5" PEX       |
| 3. 601698-15 | Crimp ring, 1/2"                   |
| 4. 365513    | Tag, Instruction, Sanitization Kit |
| 5. 602801    | Cap, 5/8" ID                       |
| 6. 602256-10 | Elbow, Poly, 1/2" Barb             |



# PLUMBING, FRESH WATER SYSTEM

## Fresh Water Fittings



Parts Listed on Next Page

## PLUMBING, FRESH WATER SYSTEM

### Fresh Water Fittings

1. 602918 Water Line, 1/2", Flexible, Blue
2. 601698-01 E-Pex tube, .5", Blue
3. 601698-21 E-Pex tube, .5", Red
4. 601698-15 Crimp ring, .5" E-Pex, .5", Black
5. 602711 3-Way Valve, Bypass, 1/2" Pex
6. 602308 Check valve, .5" MPT x .5" MPT
7. 601723 Filter Screen
8. 601668-01 Strainer, Fresh Water Pump
9. 602177-02 Strainer, Mini
10. 602177-04 Pump port, Quick connect, .5" barb
11. 602177-05 Pump port, Quick connect, 90°
12. 513048 Valve-Electric 12V DC Coil .5" Inlet
13. 602137 Valve, Shut off, .5 Barb x 3/8 compression
14. 602256-01 Nipple, Poly, .5 MPT x .5 MPT
15. 602256-02 Adapter, Male, Poly, .5" Barb X .5" MPT
16. 602256-03 Adapter, Poly, .5" barb x .5 FPT Swivel
17. 602256-04 Elbow, Poly .5" Barb X .5 MPT
18. 602256-05 Elbow, Poly .5" x FPT Swivel Wing Nut
19. 602256-10 Elbow, Poly, .5" Barb
20. 602256-11 Tee, Poly, .5" Barb
21. 602256-22 Valve, Straight, .5" Barb x .5" Barb #1406
22. 601774 Elbow Support-90D 1/2"
23. 602186 Flex hose, 20" w/swivel connection
24. 601240-01 Tubing 1/2 I.D. X 3/32 Wall Thick

## PLUMBING, DRAIN SYSTEM

### Black Tank

|           |                                |
|-----------|--------------------------------|
| 602671    | Black water tank, 22.1 gallons |
| 455264    | Weldment, Support, Black tank  |
| 454664-04 | Rod, Black water tank, 12.75"  |
| 511812    | Heating pad, Holding tank      |
| 365417    | 3M extreme sealing tape        |

### Grey Tank

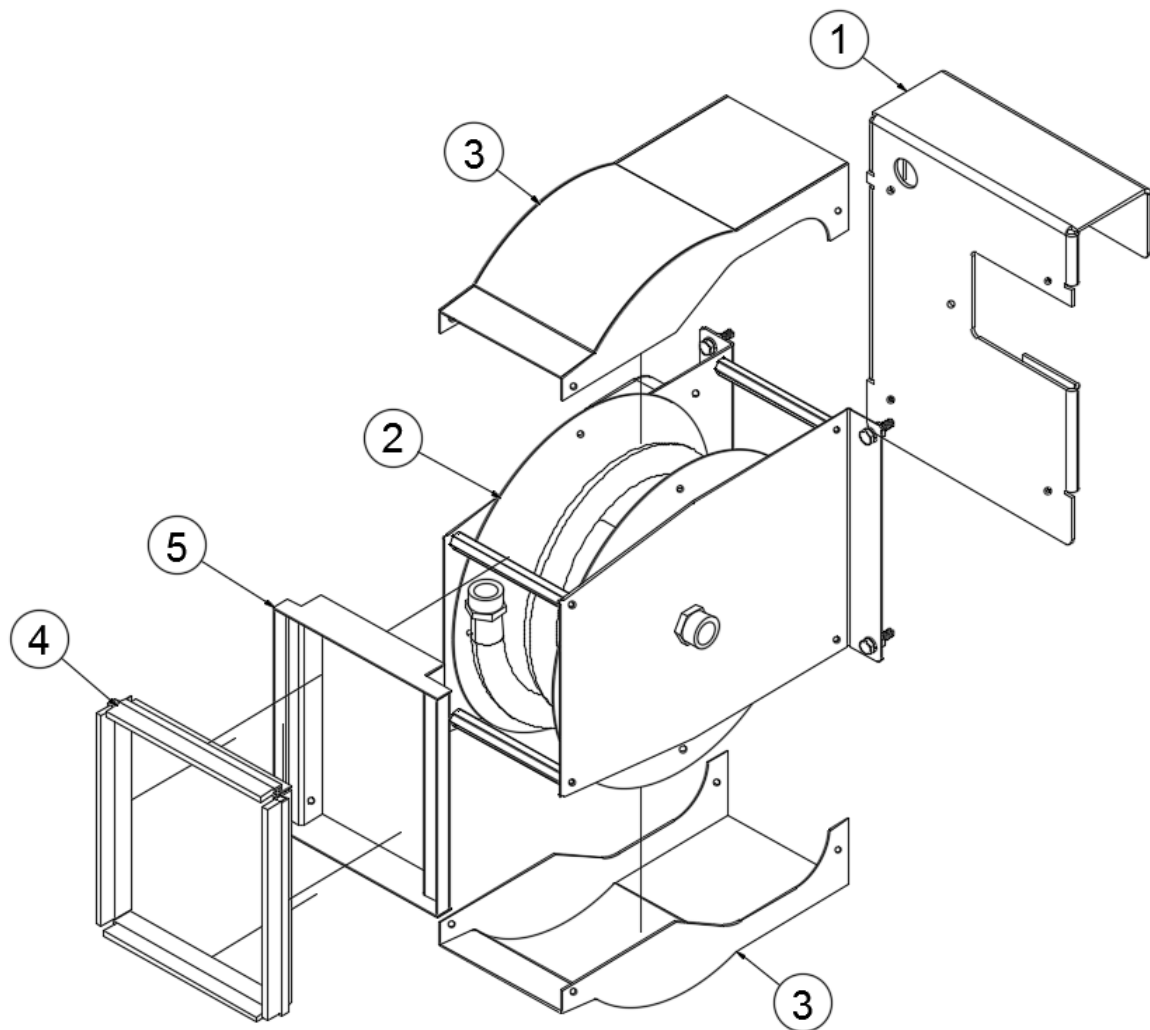
|           |                               |
|-----------|-------------------------------|
| 602670    | Grey tank, 30.2 gallons       |
| 455267-03 | Bracket, Lower, Grey tank, RS |
| 455267-01 | Bracket, Lower, Grey tank, CS |
| 455267-02 | Bracket, Upper, Grey tank     |
| 511812    | Heating pad, Holding tank     |
| 365417    | 3M extreme sealing tape       |

### Black Tank Flush

|            |                               |
|------------|-------------------------------|
| 602940     | Black Tank Flush Kit, No Fuss |
| 601441-101 | Black cap w/strap             |

## PLUMBING, DRAIN SYSTEM

### Macerator Pump System



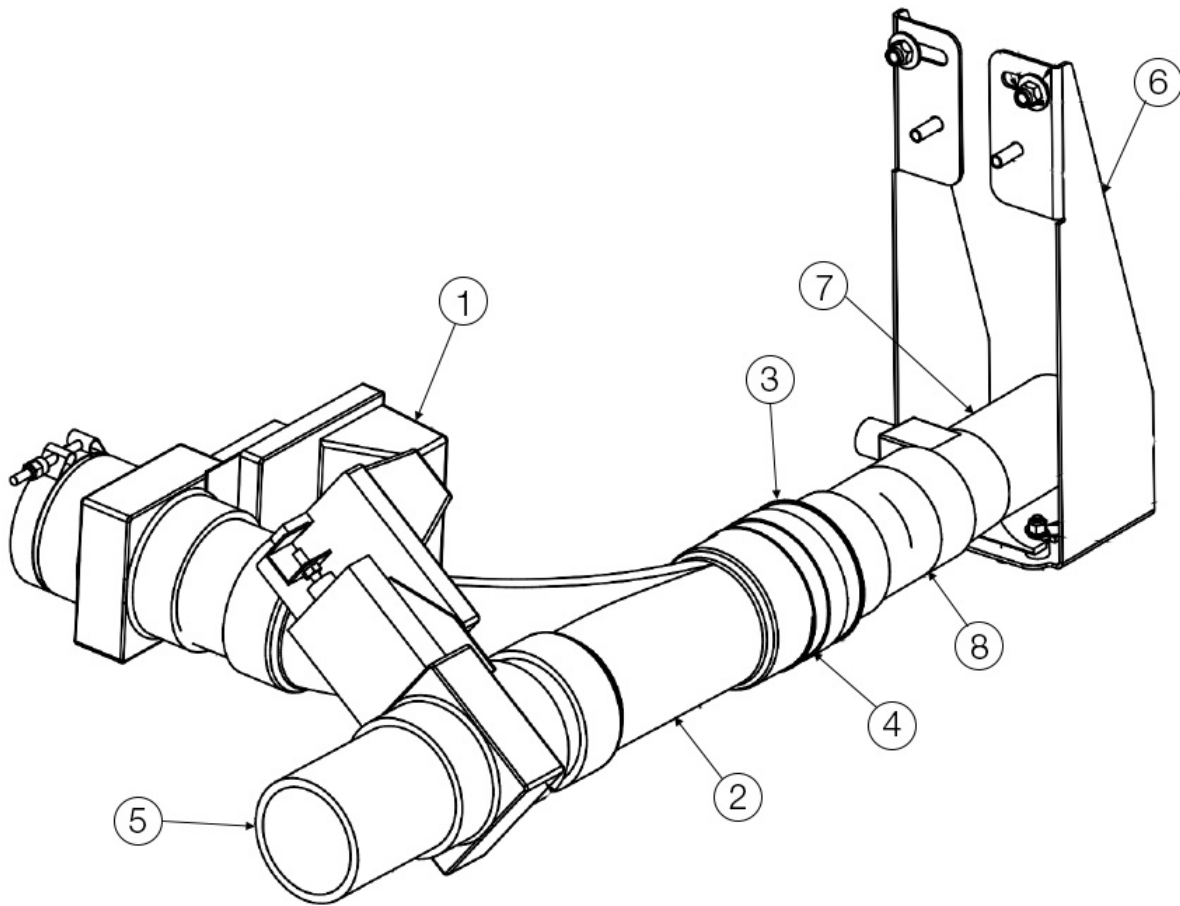
112507

Hose Reel and Bracket Install (not for order/see parts below)

- |              |   |
|--------------|---|
| 1. 455306    | Bracket, Reel macerator                         |
| 2. 513314    | Waste water hose reel, Right hand spool         |
| 3. 204055    | Closeout, Macerator reel cover                  |
| 4. 704171    | Weather stripping                               |
| 5. 455351-03 | Front cover, Macerator closeout                 |
| 602176       | Macerator pump                                  |
| 455497       | Bracket, Macerator pump                         |
| 602205-01    | Switch, 20 amp                                  |
| 602205-04    | Adapter for 3" connection hose w/2 clamps       |
| 602205-05    | 3" flexible connection hose, 3' long w/2 clamps |
| 602205-10    | Valve, Drip proof w/2 adaptor for reel hose     |
| 513314-100   | Hose Assembly Only For 513314                   |

## PLUMBING, DRAIN SYSTEM

### Drain System, Below Floor



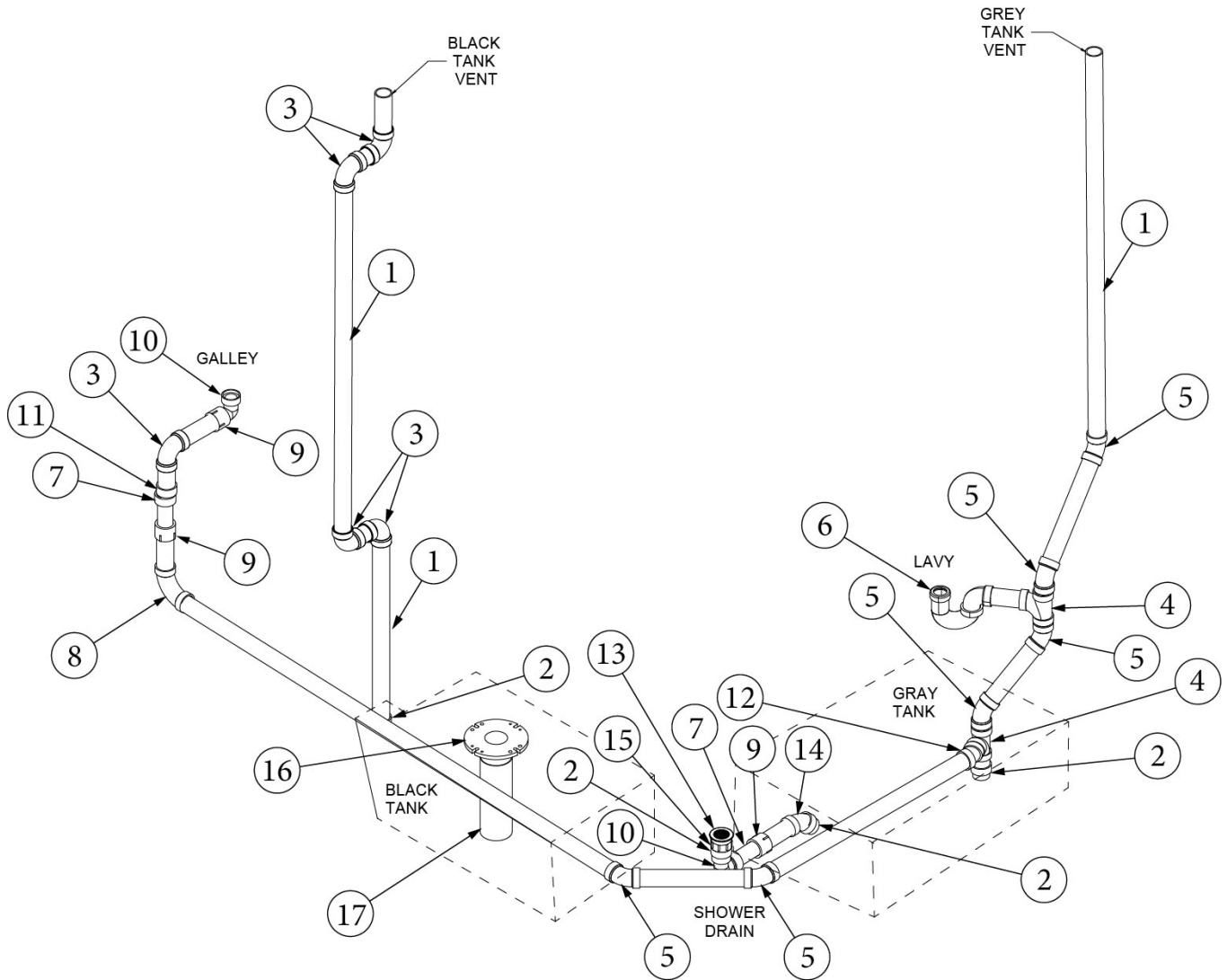
943832

Below Floor Drain

- |              |                                |
|--------------|--------------------------------|
| 1. 512411    | Waste valve, Electric          |
| 2. 600187    | 3" Wye, Comb and 1/8 bend      |
| 3. 602205-04 | Adaptor for 3" connection hose |
| 4. 600289    | Calder coupling, 3" (rubber)   |
| 5. 601160-04 | Pipe, ABS DWV 3"               |
| 6. 455497    | Bracket, Macerator pump        |
| 7. 602176    | Pump, Macerator Flojet         |
| 8. 602205-05 | Hose, Macerator                |
| 602671       | Black water tank, 22.1 gallons |
| 602670       | Grey tank, 30.2 gallons        |

# PLUMBING, DRAIN SYSTEM

## Drain System, Above Floor



Parts Listed on Next Page

## PLUMBING, DRAIN SYSTEM

### Drain System, Above Floor

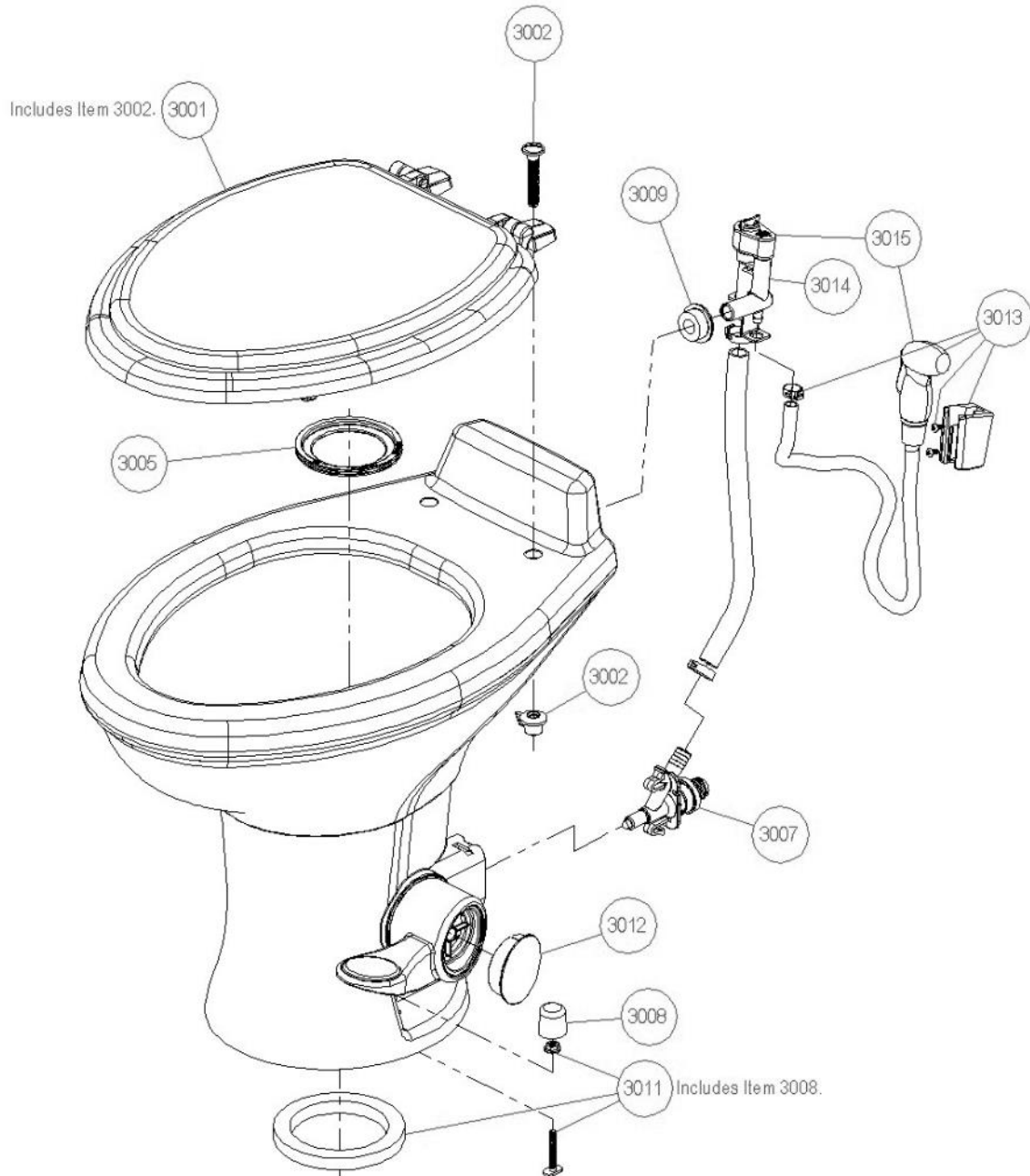
943798

Above Floor Drain System

1. 601160-02 Pipe, ABS DVW, 1.5"
2. 602214 Adapter, PVC, 1.5" MPT x 1.5" Slip
3. 601636 Elbow, 90°, 1-1/2"
4. 600156 Tee, Sanitary, 1.5" x 1.5" x 1.5"
5. 600030 Elbow, ABS, 45°, Long Turn
6. 602164-01 P-Trap, w/Compression Nut, 1.5"
7. 690753-01 Trap, Utopia Uniguard, Low Profile
8. 600035 Elbow, 1.5", 90°, Long Sweep
9. 602212 Adapter, PVC, 1.5" FPT X 1.5" Slip
10. 690753-02 Elbow, Utopia Uniguard
11. 601676 Adapter, Threaded, 1.5" Male
12. 600116 Elbow, .5"
13. 602957 Drain, Shower, w/Mesh Strainer
14. 600027 Elbow, 45°
15. 602845 Adapter, PVC, 1-1/2" FPT x 1-1/2" Slip
16. 601266 Flange closet, Slip Fit
17. 601267-04 Nipple, Threaded, one end, 10"

# PLUMBING, DRAIN SYSTEM

## Toilet



Parts Pictured Above are Dometic Part Numbers

690701  
968520  
601266

Toilet, Residence w/sprayer, Dometic 320, 302320121  
Closeout, Rear Toilet  
Flange closet, Slip fit



## SEALERS AND GASKETS

### Sealers

|           |   |
|-----------|---|
| 365424-03 | Sealant, ADseal, Black                  |
| 365330-01 | Sealant, RTV Silicone, White            |
| 365330-02 | Sealant, RTV silicone, Grey             |
| 28430W-01 | Sealant, Acryl-R seam sealant, Aluminum |
| 360255-04 | Sealer, Anti-wick                       |
| 360388    | Adhesive, Kitchen and bath, Dap White   |

### Gaskets

|        |                           |
|--------|---------------------------|
| 382337 | Gasket, Corlon vent cap   |
| 382539 | Gasket, Grab handle       |
| 365420 | Gasket, Water heater vent |
| 365419 | Gasket, Furnace vent      |
| 365443 | Gasket, Flap, 1 x .63     |
| 381665 | Gasket, D-seal, Black     |
| 365435 | Gasket, Taillight bracket |

### Undercoating

|        |                                     |
|--------|-------------------------------------|
| 360389 | Undercoating, 3M rubberized, 16 Oz. |
| 360340 | Undercoat, Epoxy primer             |
| 360331 | Undercoat, Epoxy primer activator   |

## BEDDING, PILLOWS

### Mattress and Sheets

|             |  |
|-------------|--|
| 704432      | Mattress, Queen, 62.5 x 72.5             |
| 99900P-2224 | Froli spring mat (3 x 3 springs per mat) |
| 704944      | Sheet set                                |
| 704944-01   | Sheet, Fitted                            |
| 704944-02   | Sheet, Flat                              |
| 704944-03   | Pillow cases (2)                         |
| 704944-04   | Headboard cover                          |

### Bedding and Pillow Kits

|           |  |
|-----------|--|
| 704552    | Kit-Pillow Tommy Bahama - Atlas                        |
| 704552-01 | Pillow - 16 X 16, Papara 10, Citrus                    |
| 704552-02 | Pillow - 16 x 16, Shibori Diamond                      |
| 704552-03 | Pillow - 16 X 16, Villa Fronds                         |
| 704554-01 | Comforter set, 4 piece (comforter, bed skirt, 2 shams) |
| 704554-04 | Throw pillow, Relax print, 20 x 20                     |
| 704554-06 | Embroidered pillow, Green, Pineapple resort, 20 x 20   |

### Cockpit Bed

|            |                         |
|------------|-------------------------|
| 704598-01  | Cab bed kit, No blanket |
| 704598-100 | Bag only                |
| 704598-101 | Leg support only        |
| 704922     | Blanket, Cockpit bed    |

## UPHOLSTERY

### Cabin Seats

|            |   |
|------------|---|
| 704629DT-D | Recover, Driver Seat, W/Thorax, Desert Tan    |
| 704629DT-P | Recover, Passenger Seat, W/Thorax, Desert Tan |
| 704627DT   | Recover, Pedestal, Driver Seat, Desert Tan    |
| 704628DT   | Recover, Pedestal, Passenger Seat, Desert Tan |

Cab captain's chairs come with the chassis. Airstream sends the chairs out to be recovered to match the motorhome color scheme.

### Sofa

|           |                                |
|-----------|--------------------------------|
| 704604DT  | Sofa, Murphy Desert Tan        |
| 602432-05 | Top, Sofa Fold Down, Sandstorm |

# DÉCOR BOARDS

## Décor Board, Tommy Bahama



**Wood: 39 Macchiato / Seating Color: Desert Tan**

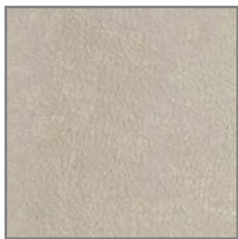
*Tommy Bahama*  
**ATLAS**



**ITEM:** Macchiato Laminate  
**PART NUMBER:** 802171-01 – 4'x8'  
**VENDOR:** Nevamar  
**VENDOR P/N:** WF0011SM-VG  
**WHERE USED:** All interior furniture and overhead locker doors



**ITEM:** Macchiato Leaf  
**PART NUMBER:** 802172-01 – 4'x8'  
**VENDOR:** Nevamar  
**VENDOR P/N:** J2911035F480  
**WHERE USED:** Accent Panels  
**NOTE:** EX. Behind TV



**ITEM:** Impala Suede  
**PART NUMBER:** 704088-02  
**VENDOR:** Deitch Plastics  
**VENDOR P/N:** Impala #25  
**WHERE USED:** Fabric Wrapped wall panels and Ceiling pads  
**NOTE:** Use laminated materials



**ITEM:** Desert Tan  
**PART NUMBER:** 704350  
**VENDOR:** UltraFabric / Premier  
**VENDOR P/N:** 535-3400  
**WHERE USED:** All Seating



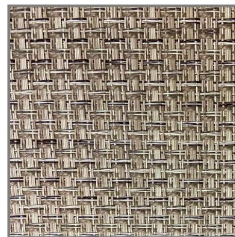
**ITEM:** Teak Woven Floor  
**PART NUMBER:** 704351  
**VENDOR:** Infinity  
**VENDOR P/N:** 1525CC – Color #13  
**WHERE USED:** Thru-out Unit



**ITEM:** Blinds / Shades  
**PART NUMBER:** 704736, 704879  
**VENDOR:** Poseidon  
**VENDOR P/N:** See Drawings  
**WHERE USED:** Window Coverings



**ITEM:** 1 (Venaro White) 2 (Sandstorm)  
**PART NUMBER:** Varies  
**VENDOR:** Tims Customs / Genesis  
**VENDOR P/N:**  
**WHERE USED:** Counter tops  
**NOTE:** 1 (Interstate) 2 (Atlas)



**ITEM:** Compass Solar Tan  
**PART NUMBER:** 704748  
**VENDOR:** Spradling  
**VENDOR P/N:** 60661  
**WHERE USED:** Murphy Bed Wall  
**NOTE:** No Backing



**ITEM:** Awning  
**PART NUMBER:** 704499-05  
**VENDOR:** Carefree  
**VENDOR P/N:** JK1778DJLDM  
**WHERE USED:** All Tommy Units  
**NOTE:** Iridium Silver Paint Code

## VENTS, FANS, SKYLIGHT

### Black Tank Vent

690700-01      Tank vent cap, White  
382337      Gasket, Vent cap

### Skylight

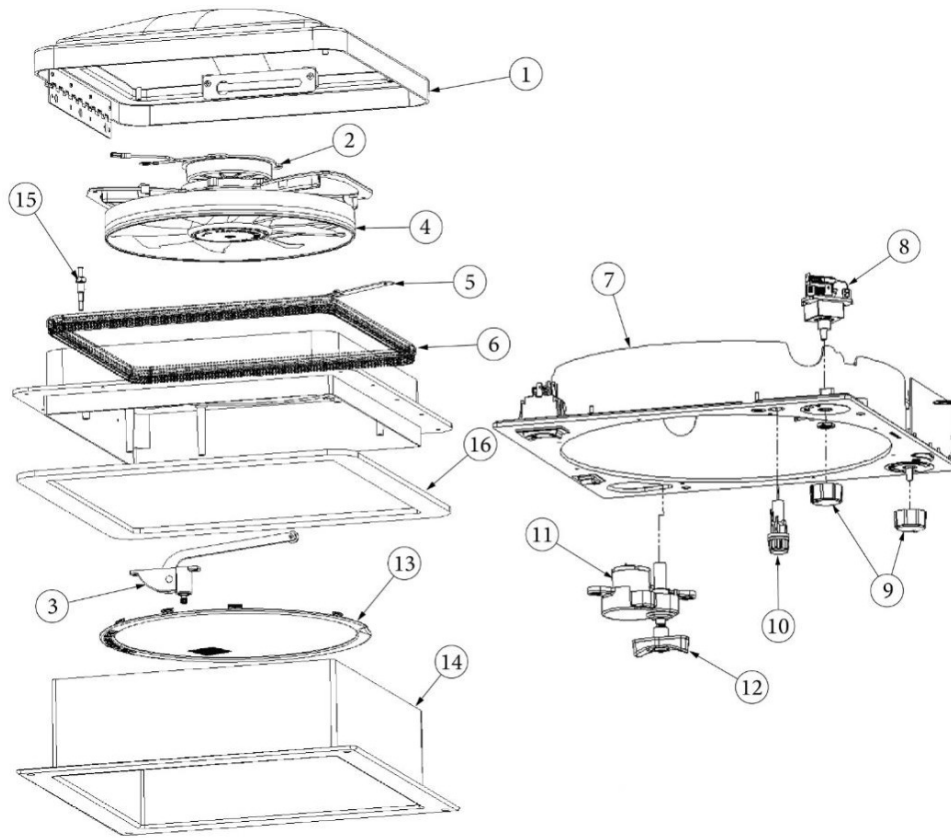
513041      Dometic Midi Heki skylight  
513041-01      Mounting blocks  
203890      Trim ring, Heki sunroof

### Cooling Fan, Electrical

514377      Fan, Noctua, 120MM

## VENTS AND SKYLIGHT

### Ceiling Vent Fan



#### 382240 Exhaust vent, Fantastic fan

- |                |                       |
|----------------|-----------------------|
| 1. 381564-100  | Dome, Polycarb, Smoke |
| 2. 382240-103  | Motor only, Vent fan  |
| 3. 381564-103  | Lift arm, Dome        |
| 4. 513172-104  | Fan blade, Vent fan   |
| 5. 381450-115  | Rain sensor, Dome     |
| 6. 512538-102  | Seal kit, Dome        |
| 7. 382240-106  | Screen assembly       |
| 8. 382240-02   | 3-speed switch        |
| 9. 382288-103  | Knob, Push-on, Black  |
| 10. 381450-110 | Fuse and holder       |
| 11. 513172-101 | Lift motor, Lift arm  |
| 12. 382288-104 | Knob, Manual lift     |
| 13. 512538-010 | Screen, Pop & lock    |
| 14. 513172-103 | Trim ring, Grey, Vent |
| 15. 381450-104 | Light switch, Dome    |
| 16. 382467-01  | Gasket, Exhaust fan   |

## PANELING, EDGEBANDING, LAUAN

### Paneling

|           |   |
|-----------|---|
| 802171-01 | Laminate-Macchiato Wf0011sm-Vg          |
| 802172-01 | Laminate-Macchiato W/Leaf Pattern       |
| 802178    | Panel, Prelam, Macchiato/Liner 12m      |
| 802182    | Panel, Prelam, Macchiato/Macchiato      |
| 802222    | Panel, Prelam, 18mm Macchiato/Macchiato |
| 802362    | Panel, Prelam, Macchiato/Backer         |
| 802233    | Panel, 4' X 8', Azdel Composite         |
| 801438    | Panel, Prelam, White Vinyl/Raw 2.7      |
| 801378    | Panel, Prelam, Wht Liner/Gator, 18mm    |
| 802082    | Laminate, Tenino Walnut HG              |
| 802087    | Panel, Prelam, Tenino Walnut, 18m       |

### Edgebanding

|           |                                |
|-----------|--------------------------------|
| 365412-01 | Edgebanding, 5/8", Macchiato   |
| 365412-02 | Edgebanding, 15/16", Macchiato |
| 365412-03 | Edgebanding, 1.25", Macchiato  |

### Lauan

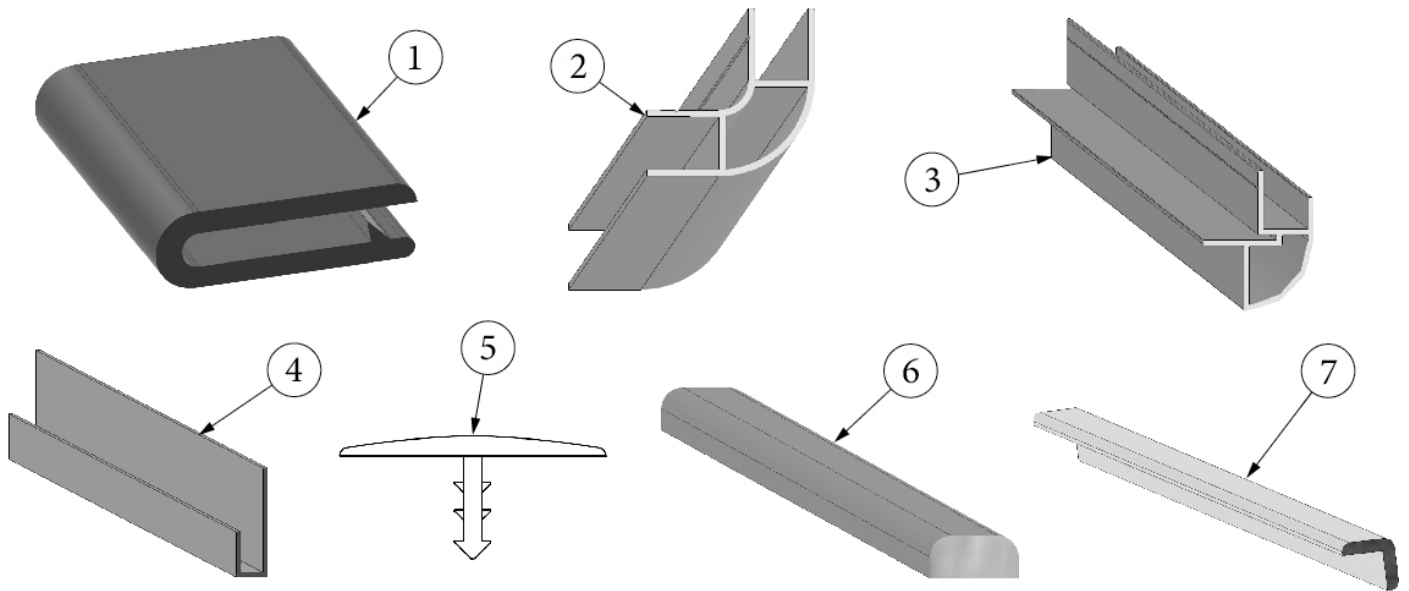
|           |                       |
|-----------|-----------------------|
| 800507-01 | Lauan, 1/8 x 4' x 8'  |
| 800507-02 | Lauan, 1/4 x 4' x 8'  |
| 800507-03 | Lauan, 3/8 x 4' x 8'  |
| 800507-06 | Lauan, .75" x 4' x 8' |

### Plywood

|           |                               |
|-----------|-------------------------------|
| 800506-04 | Plywood, .5 x 4' x 8'         |
| 800506-05 | Plywood, 5/8" X 4' X 8'       |
| 801351    | Plywood, Lite, .75 x 4' x 8'  |
| 801353    | Lite Ply, 3mm 4' x 8'         |
| 801262-08 | Plywood Baltic Birch 5" x 60" |

## TRIMS AND TOUCH-UP

### Trim



- |                |                                   |
|----------------|-----------------------------------|
| 1. 203225-01   | Trim lock, .75", Gray             |
| 2. 116395-01   | Extrusion, 1" radius corner       |
| 3. 116394-01   | Corner trim, Aluminum             |
| 4. 201666-01   | Molding, J, Plastic, White, 3/16" |
| 5. 203445-03   | T-Molding, Tan, 9/16"             |
| 6. 800571-0039 | Molding, Flat, Macchiato, .52"    |
| 7. 802110-0039 | Molding, End Trim, Macchiato      |
| 381610-02      | Cover Cap, European Brown         |



## TRIMS AND TOUCH-UP

### Fill Sticks, Stain Markers, and Seamfil

|           |                                 |
|-----------|---------------------------------|
| 360301-13 | Seam-Fil, Macchiato             |
| 360301-02 | Seam-Fil, White                 |
| 360301-04 | Seam-Fil, Black                 |
| 360406-04 | Fil-Stik, Macchiato, Earth Tone |
| 360406-10 | Fil-Stik, Macchiato, Caramel    |
| 360406-29 | Fil-Stik, Black                 |
| 360406-18 | Fil-Stik, White                 |