

AIRSTREAM[®]

2024 Pottery Barn Parts Book



TABLE OF CONTENTS

APPLIANCES	1
AIR CONDITIONER	1
WATER HEATER.....	1
FURNACE.....	2
MICROWAVE.....	2
RANGE AND COOKTOP	3
REFRIGERATOR	3
EXTERIOR SHELL	4
FRONT END	4
AFT END	6
EXTERIOR COMPONENTS, ROADSIDE.....	8
WALL FRAMING, ROADSIDE, QUEEN.....	10
WALL FRAMING, ROADSIDE, TWIN.....	12
EXTERIOR COMPONENTS, CURBSIDE	14
WALL FRAMING, CURBSIDE, QUEEN	16
WALL FRAMING, CURBSIDE, TWIN	18
ROOF.....	20
WRAP PROTECTORS AND HOLDBACKS	21
INTERIOR SHELL	22
INTERIOR SKIN, QUEEN	22
INTERIOR SKIN, TWIN	24
INTERIOR WHEEL WELL LINER	25
CHASSIS	26
AXLES	26
SHOCKS.....	26
TIRES AND WHEELS	26
SPARE TIRE AND CARRIER	26
HITCH COUPLER.....	26
STEP ASSEMBLY	27
BUMPER AND STORAGE.....	29
STABILIZING JACKS.....	30
HITCH JACK.....	30
HOSE CARRIER.....	30
UNDERBELLY	30
BUMPER END CAPS	30
DECALS, EXTERIOR TRIM	31
DECALS AND MEDALLIONS.....	31
BELT LINE TRIM	31
RUB RAIL TRIM.....	31
REFLECTORS.....	31
EXTERIOR DOORS	32
MAIN DOOR, LH HINGE, OLD STYLE.....	32
MAIN DOOR, LH HINGE, NEW STYLE.....	34

SCREEN DOOR, OLD STYLE.....	36
SCREEN DOOR, NEW STYLE.....	38
ACCESS DOOR, BATTERY	40
ACCESS DOOR, FURNACE.....	40
ACCESS DOOR, WATER HEATER.....	40
ACCESS DOOR, EXTERIOR SHOWER.....	40
COMPARTMENT DOORS	40

WINDOWS41

WINDOW, FLAT, FRONT AND REAR	41
WINDOWS, PANORAMIC	43
WINDOWS, ROADSIDE, CURBSIDE	43
WINDOWS, BATH	43
WINDOWS, SCREENS.....	43
WINDOW PARTS, VISTA WINDOWS.....	43
WINDOW PARTS, OPENING WINDOWS.....	44
MAIN DOOR WINDOW TRIM RING.....	46
WINDOW TRIM	46
PANORAMIC WINDOW TRIM.....	47
WINDOW ROCK GUARDS.....	48

AWNINGS49

POWER AWNING	49
SIDE AWNING	49
WINDOW AWNING, REAR	49
AWNING INSTALLATION PARTS	49

WINDOW COVERINGS50

DRAPES AND SHADES.....	50
DRAPES AND SHADES, HARDWARE	51
VALANCES	51

ELECTRICAL, 110 VOLT.....52

SMARTPLUG.....	52
POWER CENTER.....	52
BREAKERS, 110V.....	52
INVERTER AND CONVERTER	52
RECEPTACLES	53

ELECTRICAL, 12 VOLT54

BATTERY AND BATTERY BOX.....	54
7-WAY CABLE AND BREAKAWAY SWITCH	54
TANK MONITOR SYSTEM	54
SOLAR SYSTEM	55
BREAKERS, 12V.....	55
FUSES.....	56
SWITCHES AND USB PORTS	56
WIRELESS BACKUP CAMERA.....	57
EXTERIOR LIGHTS	57
INTERIOR LIGHTS.....	57
TAILLIGHT ASSEMBLY.....	58
CZONE SYSTEM COMPONENTS	59
CZONE CONFIGURATION FILES.....	59

CZONE SWITCH CONTROLS	60
SMART RV SYSTEM	61
ENTERTAINMENT	62
AUDIO	62
VIDEO.....	62
TV, QUEEN BEDROOM, TV, 24"	63
TV, TWIN BEDROOM, TV, 24".....	63
TV, BATH, 27".....	63
FLOOR COVERINGS.....	64
FLOOR COVERINGS.....	64
CARPET.....	64
FURNITURE, INTERIOR DOORS AND MIRRORS	65
DOORS, ROOF LOCKERS	65
DOOR, FOLDETTE.....	65
MIRRORS	65
FURNITURE, DRAWER BOXES AND SLIDES.....	66
DRAWER BOXES.....	66
DRAWER SLIDES.....	66
FURNITURE, BEDROOM.....	67
BED, QUEEN	67
BED, TWIN, ROADSIDE.....	69
BED, TWIN, CURBSIDE	71
NIGHTSTAND, QUEEN, ROADSIDE.....	73
NIGHTSTAND, QUEEN, CURBSIDE	75
NIGHTSTAND, TWIN	77
REAR STORAGE BOX, TWIN.....	79
HANGING WARDROBE, ROADSIDE.....	80
HANGING WARDROBE, CURBSIDE	82
ROOF LOCKER, BEDROOM	84
FURNITURE, LAVATORY	86
BATH MODULE.....	86
SHOWER COMPARTMENT	88
BATH, FORWARD WALL	89
BATH DOOR.....	90
MEDICINE CABINET	91
LAVATORY CABINET.....	92
WARDROBE	94
FURNITURE, GALLEY	96
PARTY LEDGE	96
GALLEY TOP.....	97
GALLEY CABINET, STANDARD OVEN.....	98
GALLEY CABINET, CONVECTION MICROWAVE OPTION	100
GALLEY CABINET, HARDWARE	102
REFRIGERATOR CABINET.....	103

ROOF LOCKER, GALLEY.....	105
DINETTE SEAT, FORWARD.....	107
DINETTE SEAT, AFT	109
DINETTE TABLE.....	110

FURNITURE, LOUNGE 111

ROOF LOCKER, LOUNGE	111
RADIO SHELF, ROOF LOCKER	113
SOFA BASE, FRONT	114
SOFA BASE, RS.....	115
SOFA BACK, FRONT	116
SOFA BACK, RS	117
SOFA ARM.....	118

HARDWARE..... 119

MAIN DOOR LOCK, LH, OLD STYLE	119
MAIN DOOR LOCK, NEW STYLE	120
WINDOW HARDWARE	121
EXTERIOR LATCHES, LOCKS, AND HANDLES.....	122
HEAD KNOCKER, BUMPERS, SCREW CAPS	124
EXTERIOR HINGES	124
INTERIOR HINGES.....	124
INTERIOR LATCHES, HANDLES, HOOKS.....	125
POTTERY BARN GOODY BOX, QUEEN.....	126
POTTERY BARN GOODY BOX, TWIN.....	126
BATHROOM ACCESSORIES.....	127
CLOTHESLINE.....	127
BED GAS SPRINGS	127
AWNING HARDWARE, POWER AWNING	128
AWNING HARDWARE, OTHER.....	129
RIVETS.....	130
SCREWS	131

SAFETY EQUIPMENT 132

DETECTORS AND FIRE EXTINGUISHERS.....	132
---------------------------------------	-----

LABELS AND TAGS 133

LABELS AND TAGS, USA.....	133
LABELS AND TAGS, CSA	134

PLUMBING, LPG SYSTEM 135

LPG SYSTEM.....	135
LPG TANK COVER	136

PLUMBING, FRESH WATER SYSTEM 137

FAUCET, GALLEY	137
FAUCET, LAVATORY	137
FAUCET, SHOWER	137
CITY WATER HOOK-UP	138
FRESH WATER TANK FILL.....	138
WATER PUMP AND CONTROLLER	138
FRESH WATER FITTINGS	140

FRESH WATER LINES.....	141
WINTERIZATION KIT	142
PLUMBING, DRAIN SYSTEM	143
BLACK AND GREY TANK	143
DUMP VALVE	143
DRAIN, ABOVE FLOOR	144
PLUMBING, TOILET.....	146
TOILET	146
SEALERS AND GASKETS.....	147
SEALERS	147
GASKETS	147
GASKET KITS	148
BEDDING, PILLOWS	149
PILLOW KITS	149
MATTRESS AND BEDSPREAD.....	149
UPHOLSTERY	150
DINETTE CUSHIONS	150
SOFA CUSHIONS	150
DECOR BOARDS	151
DECOR BOARD, LAMINATE, SURFACE.....	151
DECOR BOARD, GALLEY.....	152
DECOR BOARD, BATH, FIXTURES.....	153
DECOR BOARD, BATH, SHOWER	154
DECOR BOARD, BATH HARDWARE	155
DECOR BOARD, LOUNGE, DINETTE.....	156
DECOR BOARD, BEDROOM	157
DECOR BOARD, LIGHTING.....	158
DECOR BOARD, PILLOW KITS, DIVIDER CURTAINS.....	159
DECOR BOARD, POTTERY BARN GOODY BOX.....	160
DECOR BOARD, EXTERIOR ELEMENTS.....	161
VENTS, FANS, SKYLIGHTS.....	162
VENT, BLACK TANK	162
VENT, BATH.....	162
EXHAUST FAN	162
HEAT DUCT	162
SKYLIGHT, FORWARD.....	163
SKYLIGHT, AFT.....	163
PANELING, EDGEBANDING, LAUAN.....	164
PANELING.....	164
EDGEBANDING	164
LAUAN	165
PLYWOOD	165

TRIMS AND TOUCH-UP 166

TRIM166

FILL STICKS, STAIN MARKERS, AND SEAMFIL.....167

APPLIANCES

Air Conditioner

690779-01	Air conditioner, Coleman Mach, 8HP, 15K BTU
690779-02	Air conditioner, Coleman Mach, 8HP, 13.5K BTU
690779-05	Control box unit, A/C, Coleman
690779-06	Gateway network, A/C, Coleman
690782	Sensor, Coleman A/C, black
204161-1	Transition plenum, Duct, A/C
204161-2	Transition plenum, Duct, A/C
365502	Gasket, A/C supply
365517	Gasket, Plenum/duct transition
455816	Mounting plate, A/C install
204253-01	Frame, A/C Return
382766-01	Filter, MERV 8, A/C Return
382766-02	Filter, Sponge, A/C Return
116357	Return Grill, A/C Return
382606-01	Register, A/C, Adjustable, Brushed

Water Heater

690769-01	Water Heater, Tankless, Girard
690769-02	Control Panel
690769-03	Water heater door, Grey
365528	Gasket Kit, Wall Mechanicals
116308-1	Bracket, Water heater
967194	Stand, Water heater

APPLIANCES

Furnace

113109-01	Install, Furnace Door & Bezel
690732-02	Furnace, 30,000 BTU w/exterior door
690732-0200	Sail Switch, For 690732-02
116206	Door Cover, Furnace
690809	Furnace Door and Bezel
602394-03	Register, 4", Black
690429	Louver vent, 2", Round, Black
600526	Flange, 4"
600193	Hose, 2", Flex heat duct
600247	Hose, 4", Flex heat duct
114079	Duct adapter, 4" to 2"
601348	Tee, Heat duct, 4 x 4 x 2
968151	Furnace stand

Microwave

690728-01	Convection Microwave 1.1 CF, Stainless steel
690728-02	Trim kit, Stainless steel
690728-100	Black Tray, Microwave
690728-101	Glass plate, Microwave
690728-102	Wire Rack, Microwave
690728-103	Turntable ring, Microwave
690728-104	Turntable coupler, Microwave
690728-105	Cover Shield, Square, Microwave

APPLIANCES

Range and Cooktop

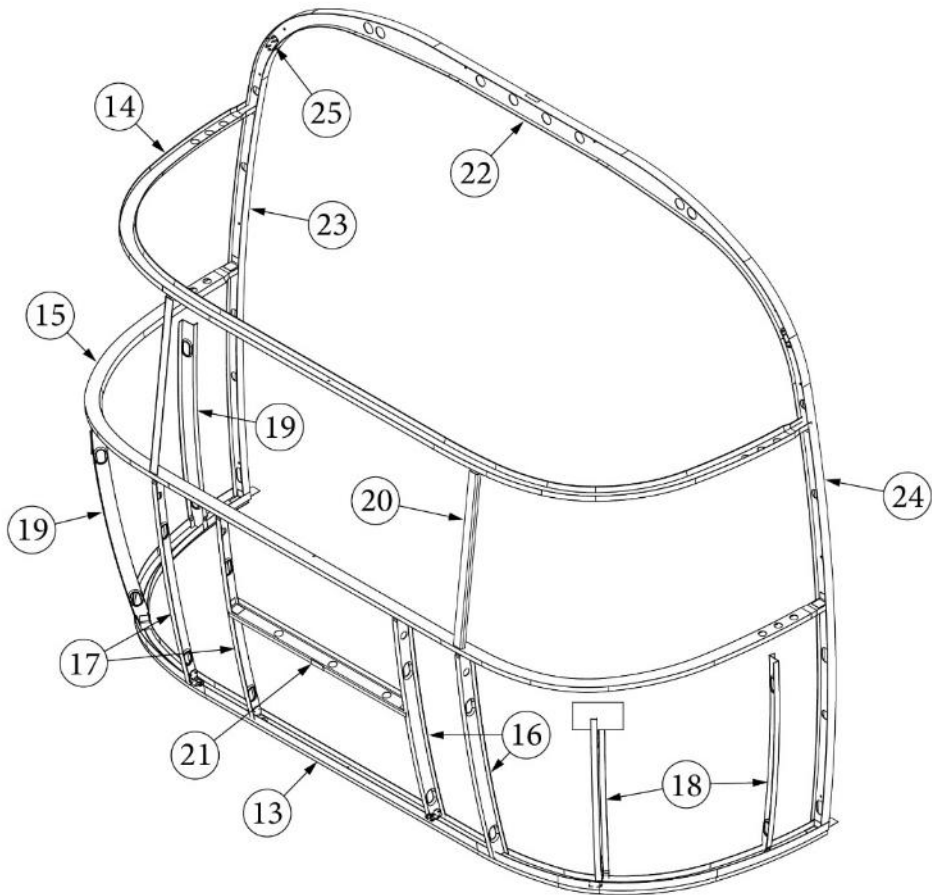
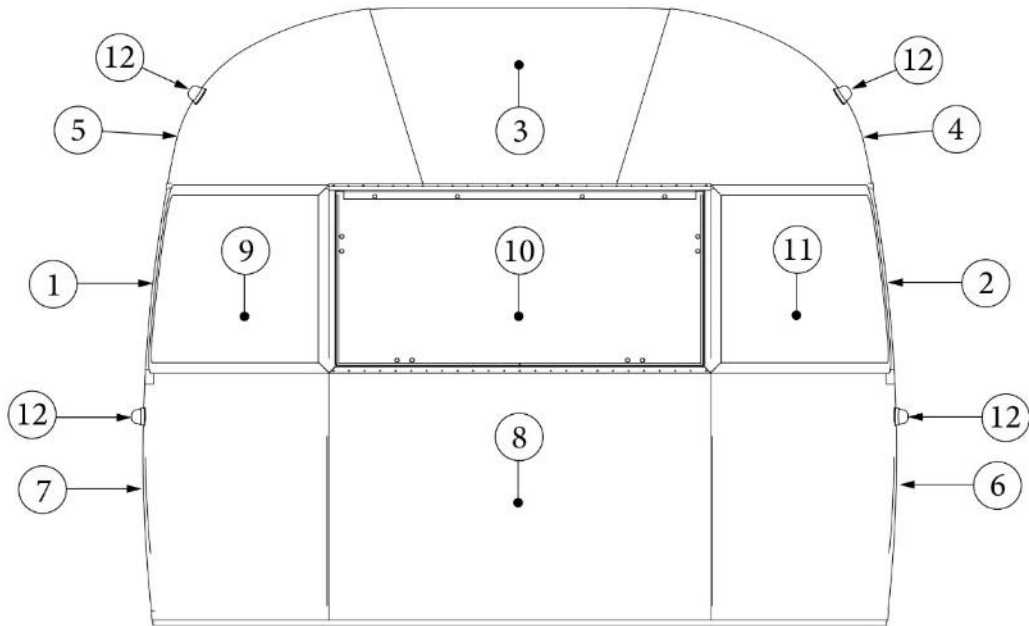
690817	3 Burner Range, W/Oven, Furrion
690817-100	Front Panel Module, SS, (Includes Knobs & Ignitor)
690734-02	Cooktop, 3 Burner
512210	Range hood, Baraldi
454590	Extension, Range vent
511017-11	Exterior vent, Gray
115175	Duct, Range exhaust transition

Refrigerator

690771-01	Refrigerator, LH, 8.2CF
969646	Refrigerator stand
969645-01	Refer Panel

EXTERIOR SHELL

Front End



Parts Listed on Next Page

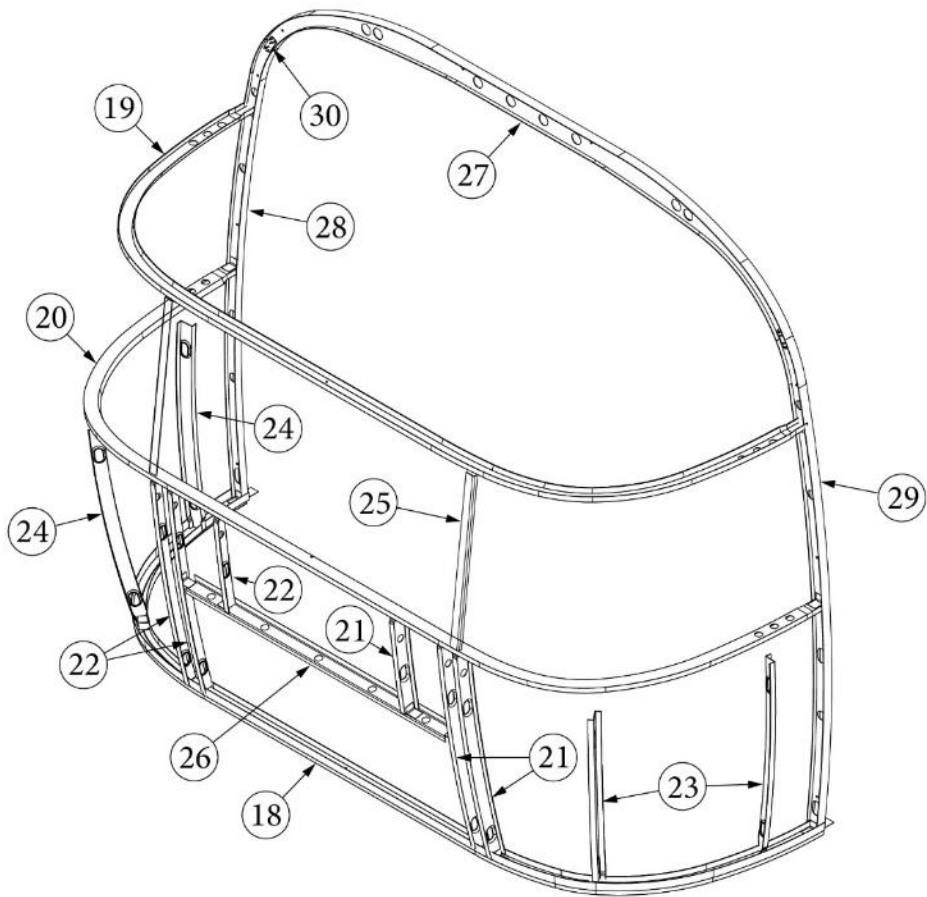
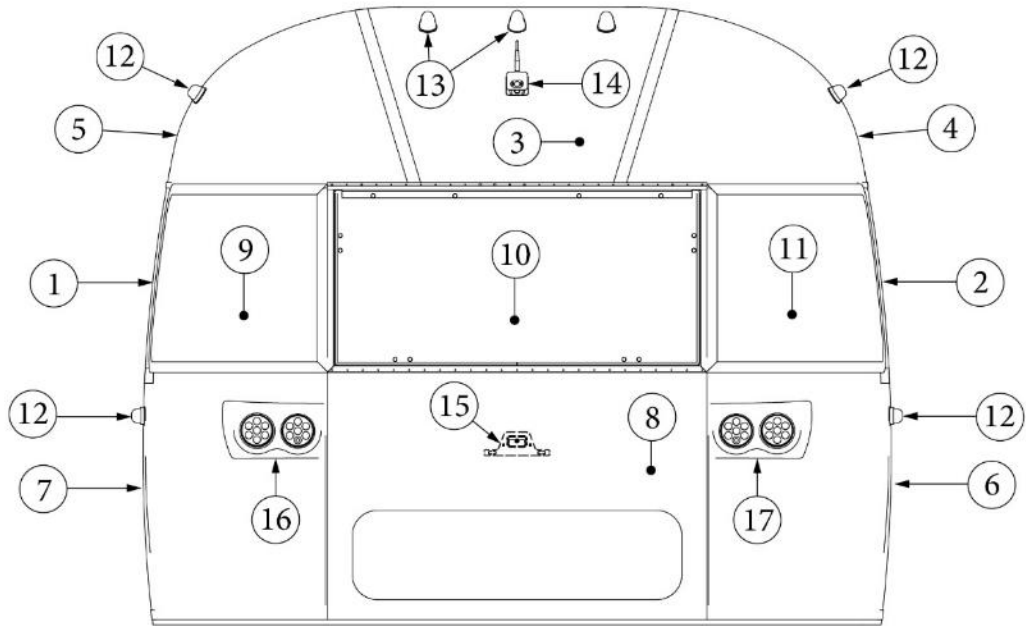
EXTERIOR SHELL

Front End

923506-01	Front End Shell
1. 114888	Segment, Center left
2. 114889	Segment, Center right
3. 114893	Segment, #25
4. 114890	Segment, #26
5. 114891	Segment, #27
6. 114894	Segment, #28
7. 114895	Segment, #29
8. 116344	Exterior plate, Front lower
9. 372089-101	Panoramic window, CS
10. 371346-02	Center window, Front
11. 372088-101	Panoramic window, RS
12. 512859	LED clearance light, Amber
382389	Gasket, clearance light
13. 116333	Bow, floor
14. 114678	Bow, upper window
15. 114677	Bow, lower window
16. 114505-01	Support, lower end shell, LH
17. 114505-02	Support, lower end shell, RH
18. 101315-01	Brace, vertical rear, LH
19. 101315-02	Brace, vertical rear, RH
20. 454910	Support, window wrap
21. 116037-01	Z Bar, horizontal frame, 29.5"
22. 116381-01	0 Bow, Roof
23. 116383-01	0 Bow, Wall, RH
24. 116383-02	0 Bow, Wall, LH
25. 116384-01	0 Bow, Plate
114813-01	Angle, 1 x 1.25 x 1.5"
114813-02	Angle, 1.25 x 2 x 2.5"
115699	Backer plate, End shell
455754	End shell support bracket

EXTERIOR SHELL

Aft End



Parts Listed on Next Page

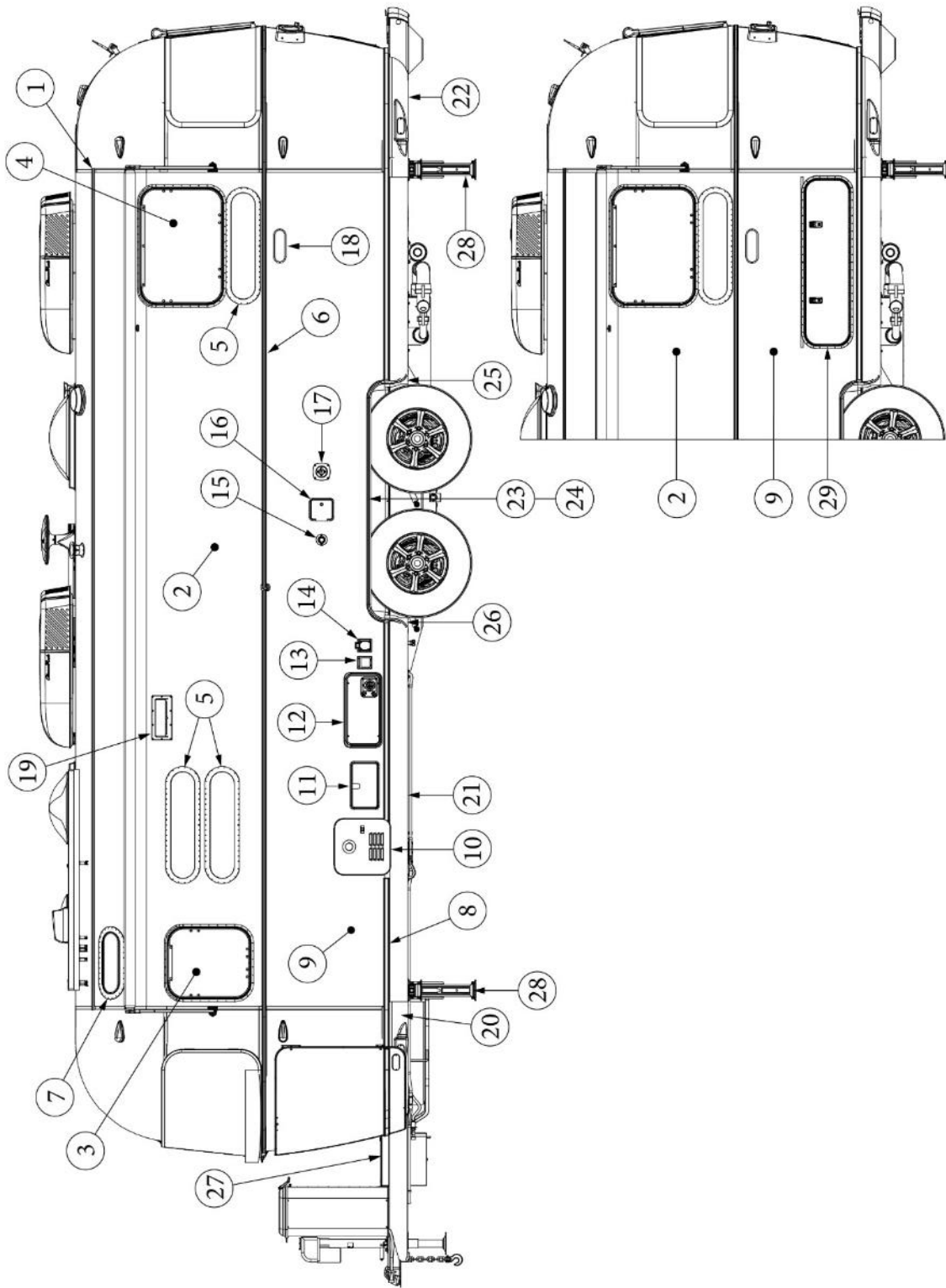
EXTERIOR SHELL

Aft End

923507-05	Aft End Shell
1. 114888	Segment, Center left
2. 114889	Segment, Center right
3. 114893	Segment, #25
4. 114890	Segment, #26
5. 114891	Segment, #27
6. 114894	Segment, #28
7. 114895	Segment, #29
8. 116341	Exterior plate, Rear lower, large door
9. 372089-101	Panoramic window, CS (installed RS rear)
10. 371346-01	Center window, Rear
11. 372088-101	Panoramic window, RS (installed CS rear)
12. 512860	Clearance light, Red
13. 512928	Clearance light, Red, curved bezel
14. 512946-01	Wireless backup camera
365392	Gasket, Wireless backup camera
15. 514065	License plate holder/light
514065-01	Light only, License plate
16. 968188-02	Taillight assembly, RS
17. 968188-01	Taillight assembly, CS
18. 116333	Bow, floor
19. 114678	Bow, upper window
20. 114677	Bow, lower window
21. 114505-01	Support, lower end shell, LH
22. 114505-02	Support, lower end shell, RH
23. 101315-01	Brace, vertical rear, LH
24. 101315-02	Brace, vertical rear, RH
25. 454910	Support, window wrap
26. 116038	Z Bar, horizontal frame, 43.5"
27. 116381-01	0 Bow, Roof
28. 116383-01	0 Bow, Wall, RH
29. 116383-02	0 Bow, Wall, LH
30. 116384-01	0 Bow, Plate
114813-01	Angle, 1 x 1.25 x 1.5"
114813-02	Angle, 1.25 x 2 x 2.5"
115699	Backer plate, End shell
382389	Gasket, clearance light

EXTERIOR SHELL

Exterior Components, Roadside



Parts Listed on Next Page

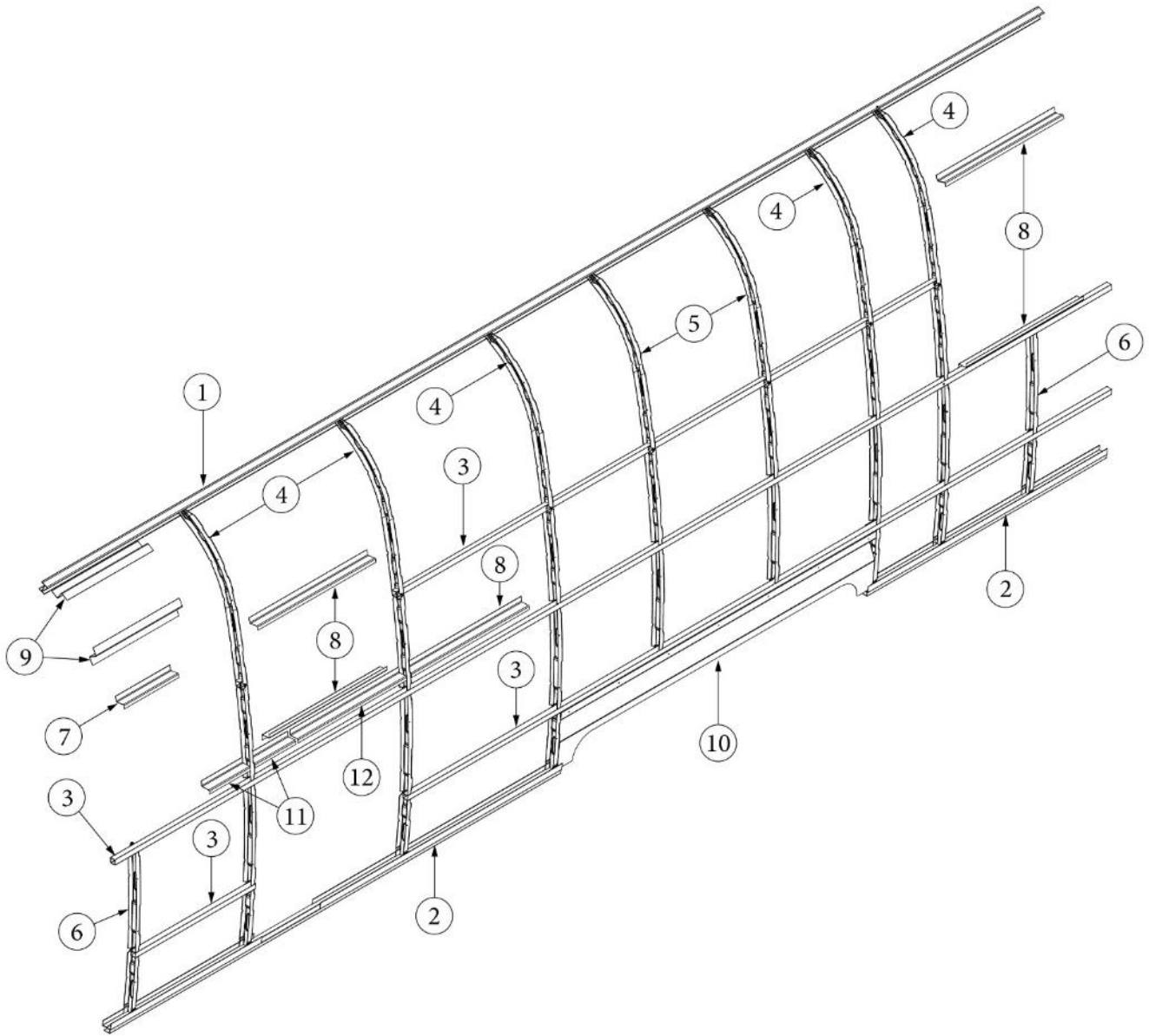
EXTERIOR SHELL

Exterior Components, Roadside

1. 114290-02 Extrusion, Awning/drip rail, 261"
2. 114880-03 Exterior Skin, Upper, RS, 224.75"
3. 371323-01 Window, 18" opening
4. 371324-02 Window, 30" opening
5. 371435 Window, 30" stacked
6. 116420 Extrusion, Belt line molding
- 201912-100 Molding, Belt line insert, Chrome
7. 371437-01 Vista view window, 18"
8. 116421 Extrusion, Rub rail
- 201763-100 Insert, Rub rail, 1", Chrome
9. 114879-03 Exterior Skin, Lower, RS, 224.75"
10. 690769-03 Water heater door, Grey
11. 602326 Exterior shower
12. 116206 Furnace door cover
- 690809 Furnace Door and Bezel
13. 514035-01 Inlet, SmartPlug Data Port
14. 513581 Inlet, 50A, Smartplug
15. 601441-02 Black tank flush
16. 601194 Water fill w/lock, Gray
17. 601392-06 Water fill, City, W/regulator, 50PSI
18. 386449 Nameplate, Pottery Barn
19. 511017-11 Exterior vent, Gray
20. 204254-02 Banana wrap, Front, RS
21. 116167-01 Underbelly wrap, Sheet Aluminum, .23 x 30 x 144"
22. 204254-04 Banana wrap, Rear, RS
23. 114004-02 Wheel well trim, Outer, Dual axle
24. 116376-02 Wheel well trim, Inner, Dual axle
25. 114466-01 Casting, Rub rail, Wheel well, RH
26. 114466-02 Casting, Rub rail, Wheel well, LH
27. 455979 Battery box, Lid only
- 382659-3 Battery box lid hinge
28. 401027-04 Power Stabilizer Jack
29. 923468-01 Compartment door assembly, Large

EXTERIOR SHELL

Wall Framing, Roadside, Queen



Parts Listed on Next Page

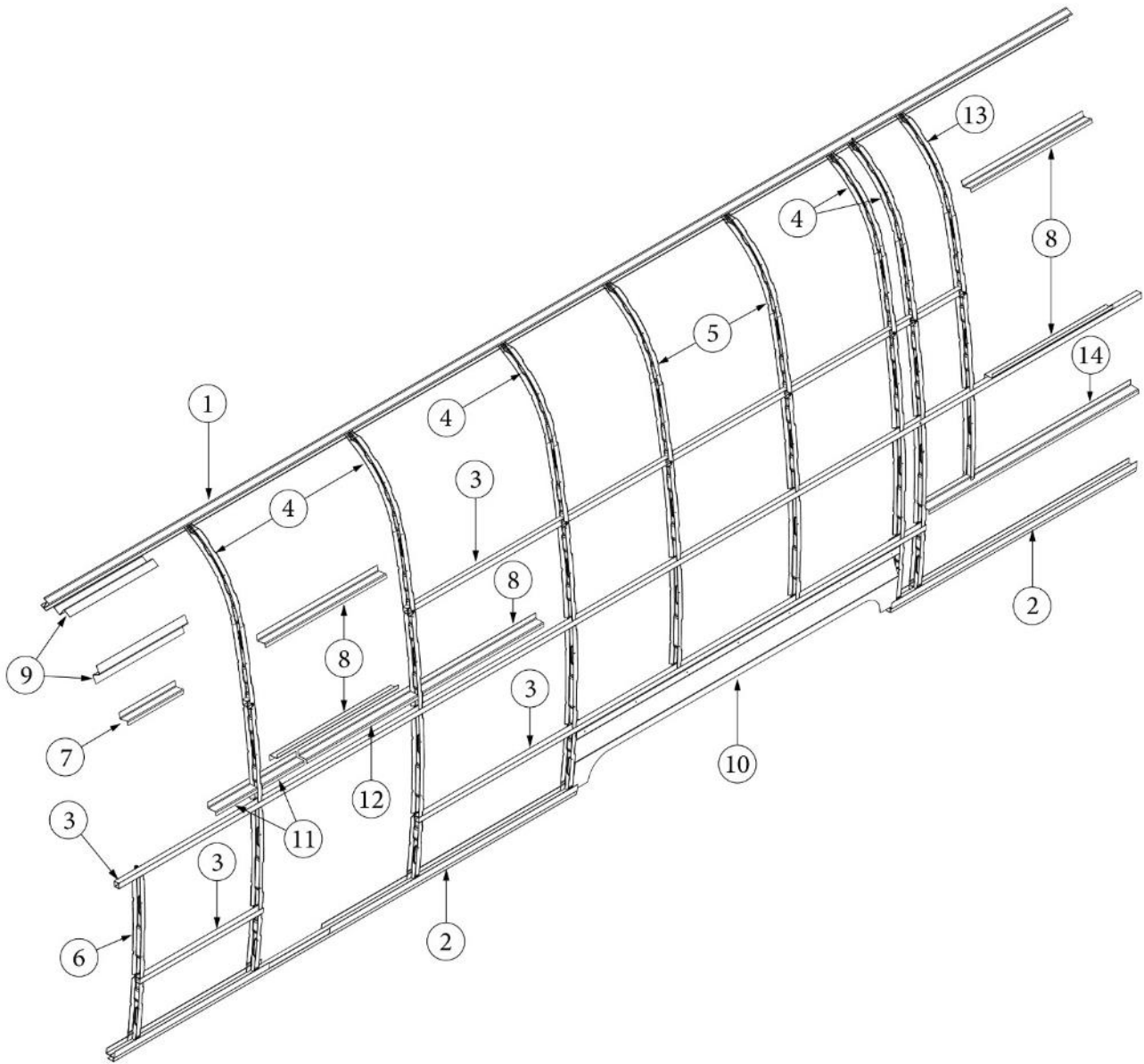
EXTERIOR SHELL

Wall Framing, Roadside, Queen

923537-01	Assembly, RS Wall, Queen
1. 104707-06	Extrusion, "I" section, 258"
2. 116221	Extrusion, Floor channel, 192"
3. 116131	Tube, Shell frame, 1" x 1" x 24'
4. 116130-01	Wall bow, Standard
5. 116130-02	Wall bow, Wheel well
6. 116130-04	Wall bow, Window
7. 116219-02	Z Bar, Window header, 12"
8. 116219-01	Z Bar, Window header, 26"
9. 116219-05	Z Bar, Window header, Vista view, 18"
10. 116312-01	Header, Wheel well, dual axle
11. 116219-09	Z Bar, Countertop backer, 10"
12. 116219-03	Z Bar, Door header
114879-03	Exterior Skin, Lower, RS, 224.75"
114880-03	Exterior Skin, Upper, RS, 224.75"
116131-01	Filler tube, Shell frame
114813-03	Angle, 1.13 x 1.5 x 3.5
114813-02	Angle, 1.25 x 2 x 2.5

EXTERIOR SHELL

Wall Framing, Roadside, Twin



Parts Listed on Next Page

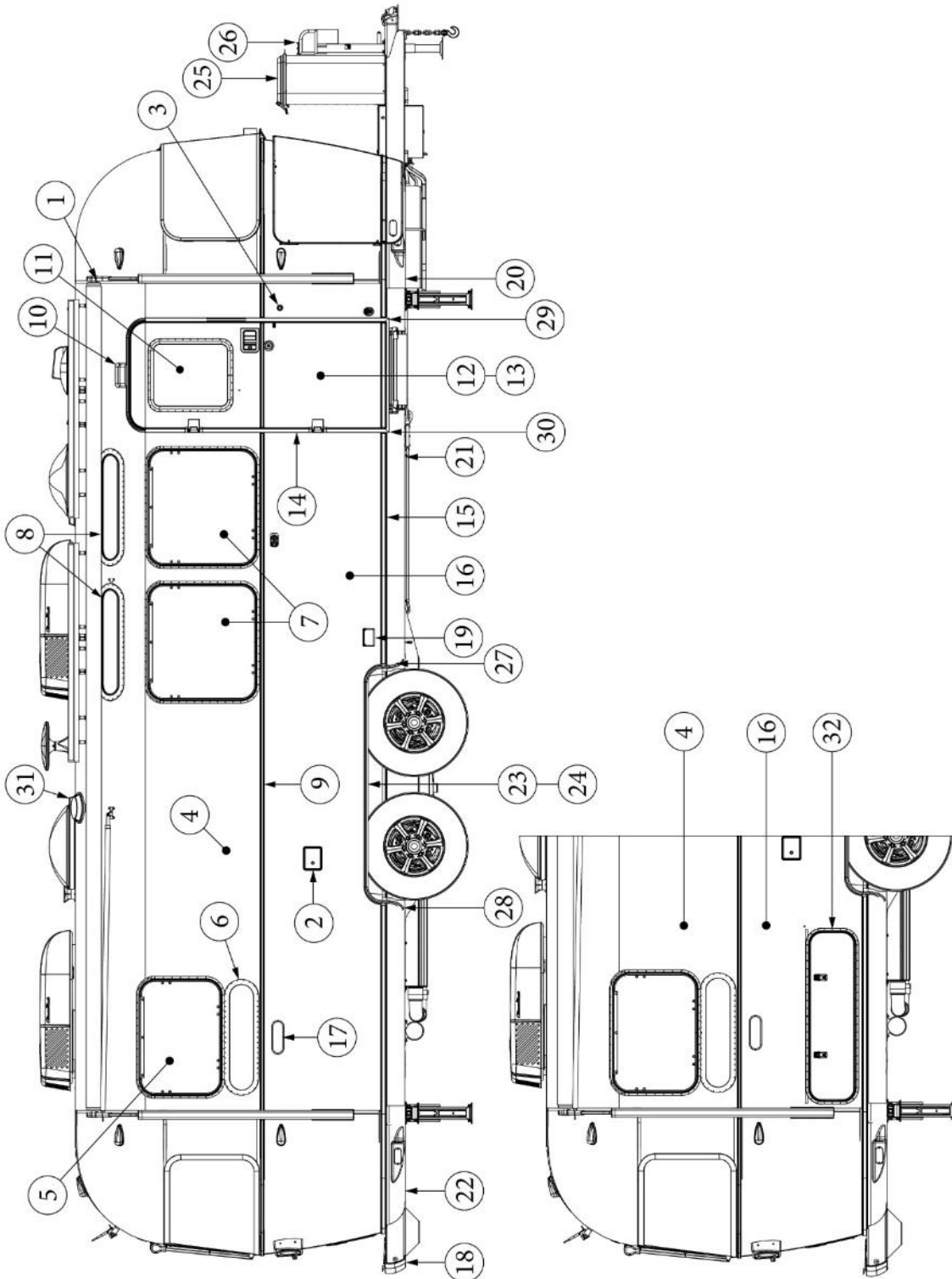
EXTERIOR SHELL

Wall Framing, Roadside, Twin

923537-02	Assembly, RS Wall, Twin
1. 104707-06	Extrusion, "I" section, 258"
2. 116221	Extrusion, Floor channel, 192"
3. 116131	Tube, Shell frame, 1" x 1" x 24'
4. 116130-01	Wall bow, Standard
5. 116130-02	Wall bow, Wheel well
6. 116130-04	Wall bow, Window
7. 116219-02	Z Bar, Window header, 12"
8. 116219-01	Z Bar, Window header, 26"
9. 116219-05	Z Bar, Window header, Vista view, 18"
10. 116312-01	Header, Wheel well, dual axle
11. 116219-09	Z Bar, Countertop backer, 10"
12. 116219-03	Z Bar, Door header
13. 116130-05	Wall bow, Compartment door
14. 116219-06	Z Bar, Compartment header
114879-03	Exterior Skin, Lower, RS, 224.75"
114880-03	Exterior Skin, Upper, RS, 224.75"
116131-01	Filler tube, Shell frame
114813-03	Angle, 1.13 x 1.5 x 3.5
114813-02	Angle, 1.25 x 2 x 2.5

EXTERIOR SHELL

Exterior Components, Curbside



Parts Listed on Next Page

EXTERIOR SHELL

Exterior Components, Curbside

1. 114290-02 Extrusion, Awning/drip rail, 261"
2. 513305 Switch, Multi hitch power jack
- 365528 Gasket Kit, Wall Mechanicals
3. 511958 Switch, doorbell
- 511957 Bezel, doorbell switch
4. 114880-03 Exterior Skin, Upper, CS, 224.75"
5. 371324-02 Window, 30" Opening
6. 371435 Window, 30" stacked
7. 371380 Window, 30" tall, Opening
8. 371437-02 Vista view window, 30"
9. 116420 Extrusion, Belt line molding
- 201912-100 Molding, Belt line insert, Chrome
10. 101323 Casting, Main door light
- 201185 Lens, Main door light
11. 371400-01 Window, Main door
12. 116515-02* Main door, LH
13. 116516-02* Screen door, LH
14. 116508-02* Jamb, Main door, LH
15. 116421 Extrusion, Rub rail
- 201763-100 Insert, Rub rail, 1", Chrome
16. 114879-03 Exterior Skin, Lower, CS, 224.75"
17. 386449 Nameplate, Pottery Barn
18. 411054 Rear bumper
19. 511815-03 Receptacle, Duplex, 15A, 125V
- 514185 Receptacle cover, Weatherproof
20. 204254-01 Banana wrap, CS front
21. 116167-02 Underbelly wrap, Sheet Aluminum, .23 x 30 x 160"
22. 204254-03 Banana wrap, CS Rear
23. 114004-02 Wheel well trim, Outer, Dual axle
24. 116376-02 Wheel well trim, Inner, Dual axle
25. 921260 Assembly, LP Bottle Cover, Aluminum
26. 401075-01 Jack, Power, 3500#
27. 114466-01 Casting, Rub rail, Wheel well, RH
28. 114466-02 Casting, Rub rail, Wheel well, LH
29. 114465-01 Casting, Rub rail, Door, RH
30. 114465-02 Casting, Rub rail, Door, LH
31. 514039 Maxxfan, Dome Plus
32. 923468-01 Compartment door assembly, Large

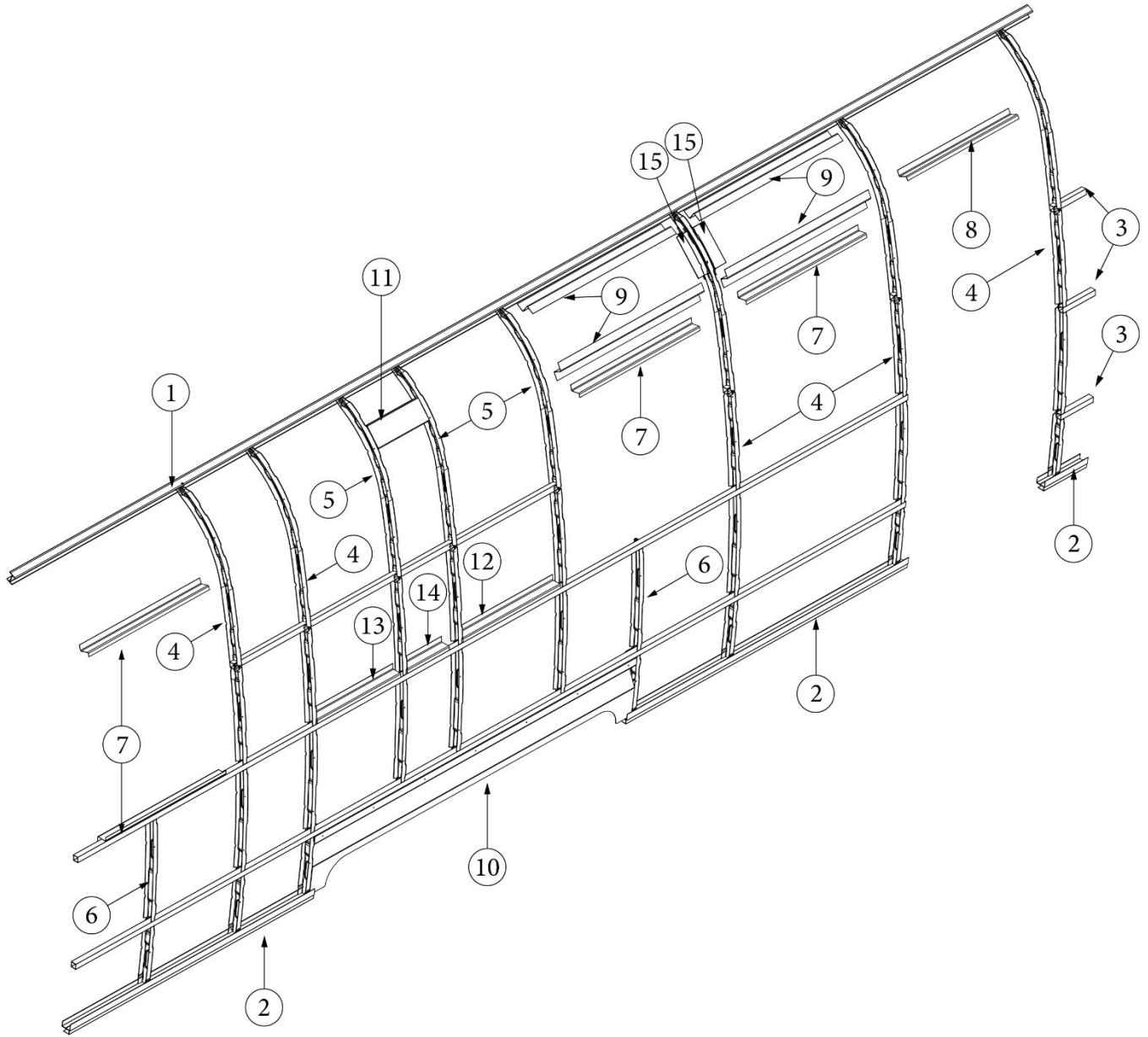
*116515-02 (main door) replaced 115207 (main door) Mid model year

*116516-02 (screen door) replaced 114654 (screen door) Mid model year

*116508-02 (door jamb) replaced 114652 (door jamb) Mid model year

EXTERIOR SHELL

Wall Framing, Curbside, Queen



Parts Listed on Next Page

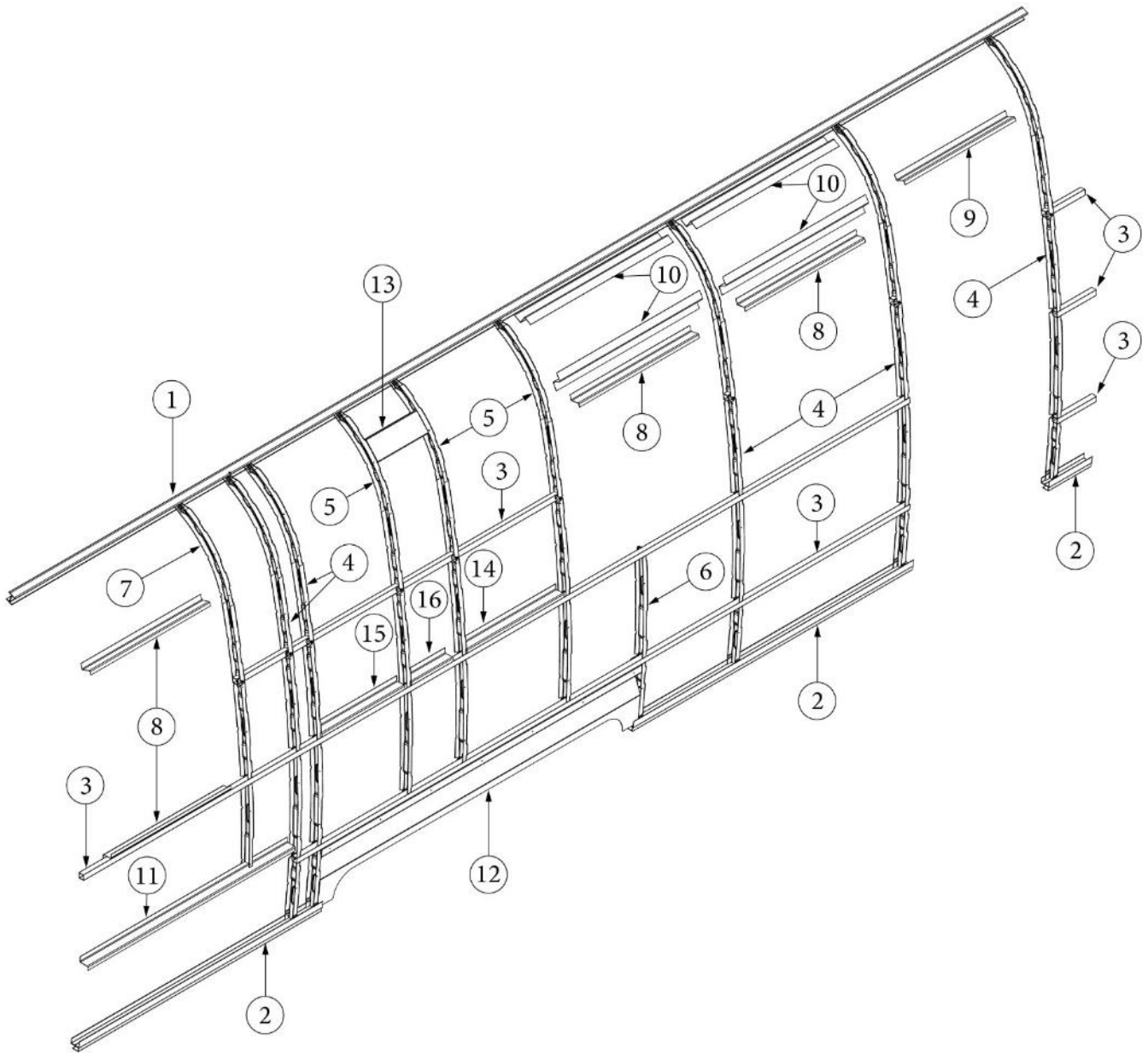
EXTERIOR SHELL

Wall Framing, Curbside, Queen

923538-01	Assembly, CS Wall, Queen
1. 104707-06	Extrusion, "I" section, 258"
2. 116221	Extrusion, Floor channel, 192"
3. 116131	Tube, Shell frame, 1" x 1" x 24'
4. 116130-01	Wall bow, Standard
5. 116130-02	Wall bow, Wheel well
6. 116130-04	Wall bow, Window
7. 116219-01	Z Bar, Window header, 26"
8. 116219-03	Z Bar, Door header
9. 116219-04	Z Bar, Window header, Vista view, 30"
10. 116312-01	Header, Wheel well, dual axle
11. 454931-09	Backer, Side wall, Power awning
12. 116219-07	Z Bar, Countertop backer, 21"
13. 116219-08	Z Bar, Countertop backer, 18"
14. 116219-09	Z Bar, Countertop backer, 10"
15. 115578-01	Double plate, Awning
114879-03	Exterior Skin, Lower, CS, 224.75"
114880-03	Exterior Skin, Upper, CS, 224.75"
116131-01	Filler tube, Shell frame
114813-03	Angle, 1.13 x 1.5 x 3.5
114813-02	Angle, 1.25 x 2 x 2.5

EXTERIOR SHELL

Wall Framing, Curbside, Twin



Parts Listed on Next Page

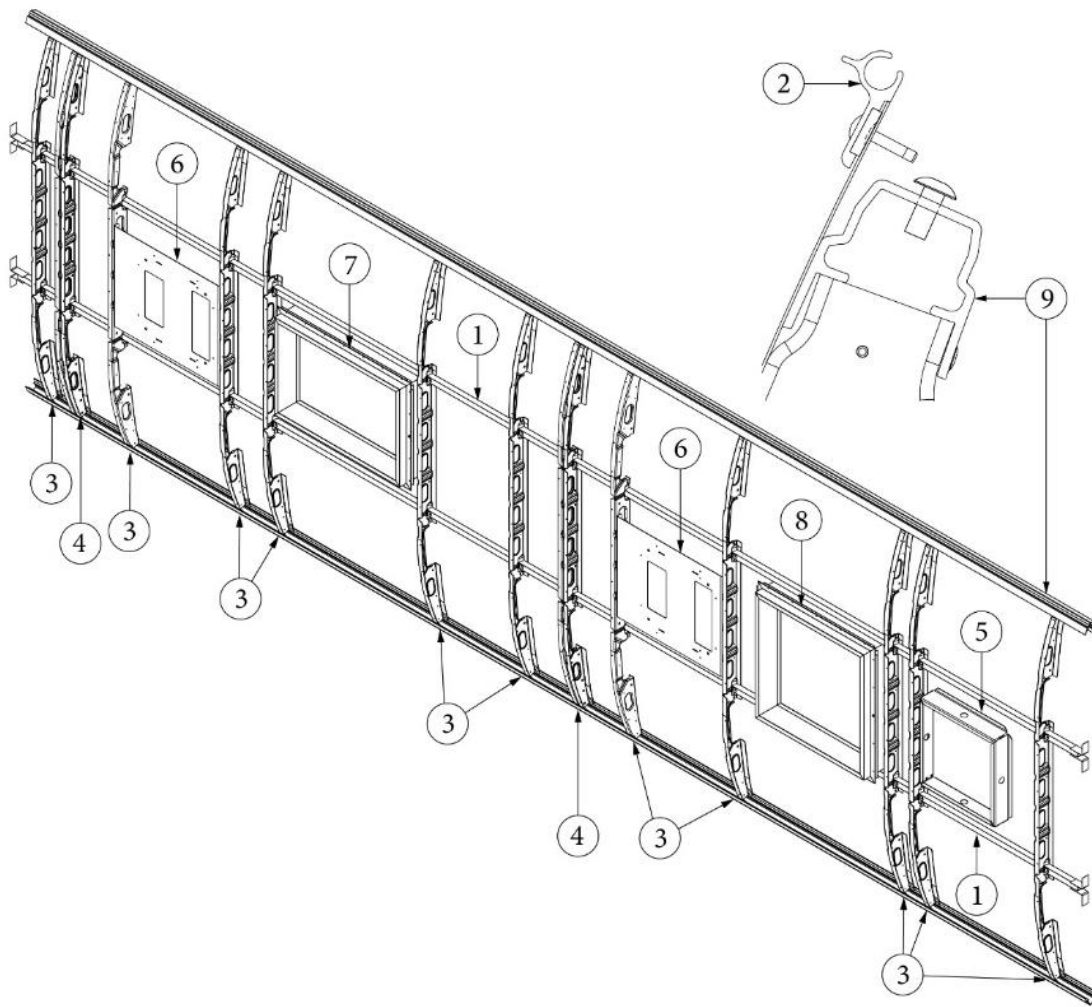
EXTERIOR SHELL

Wall Framing, Curbside, Twin

923538-02	Assembly, CS Wall, Twin
1. 104707-06	Extrusion, "I" section, 258"
2. 116221	Extrusion, Floor channel, 192"
3. 116131	Tube, Shell frame, 1" x 1" x 24'
4. 116130-01	Wall bow, Standard
5. 116130-02	Wall bow, Wheel well
6. 116130-04	Wall bow, Window
7. 116130-05	Wall bow, Compartment door
8. 116219-01	Z Bar, Window header, 26"
9. 116219-03	Z Bar, Door header
10. 116219-04	Z Bar, Window header, Vista view, 30"
11. 116219-06	Z Bar, Compartment header, 45"
12. 116312-01	Header, Wheel well, dual axle
13. 454931-08	Backer, Side wall, Power awning
14. 116219-07	Z Bar, Countertop backer, 21"
15. 116219-08	Z Bar, Countertop backer, 18"
16. 116219-09	Z Bar, Countertop backer, 10"
114879-03	Exterior Skin, Lower, CS, 224.75"
114880-03	Exterior Skin, Upper, CS, 224.75"
116131-01	Filler tube, Shell frame
114813-03	Angle, 1.13 x 1.5 x 3.5
114813-02	Angle, 1.25 x 2 x 2.5

EXTERIOR SHELL

Roof



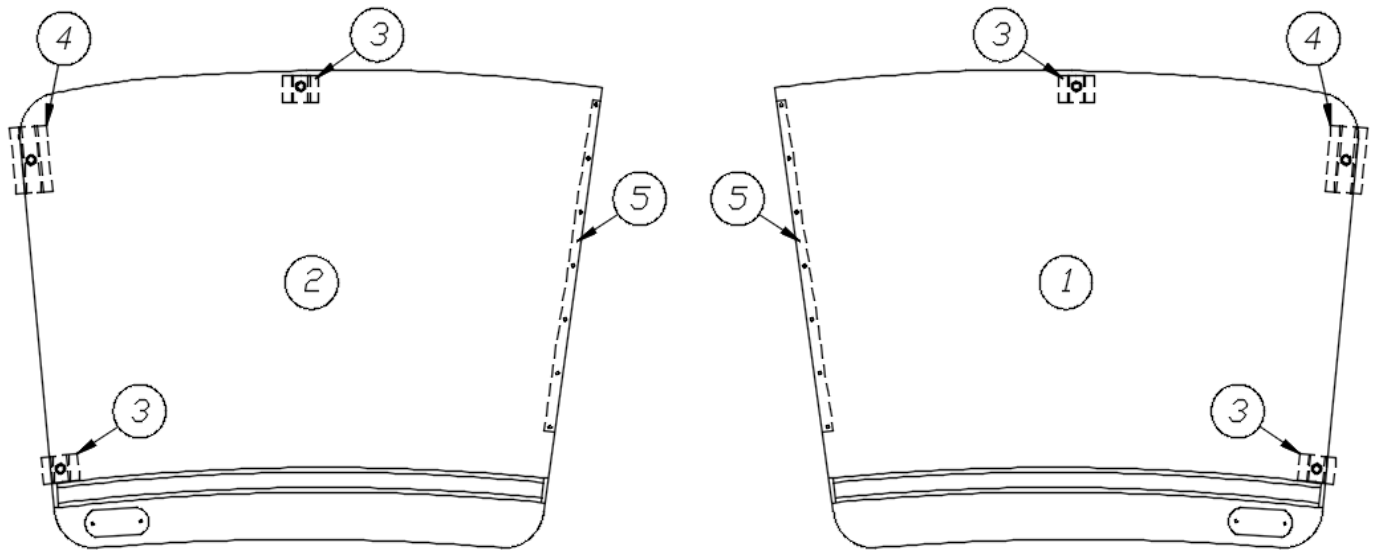
923539-02

Assembly, Roof

- | | |
|--------------|-------------------------------------|
| 1. 116131 | Tube, Shell frame, 1" x 1" x 24' |
| 2. 114290-02 | Extrusion, Awning/drip rail |
| 3. 116128-02 | Roof bow, Wide body |
| 4. 116368 | Roof I-beam, Wide body |
| 5. 116217-01 | Assembly, Exhaust fan frame |
| 6. 455816 | Mounting plate, AC install |
| 7. 116356 | Assembly, Skylight frame, 14" x 20" |
| 115600-02 | Backer plate, Skylight, 17" |
| 115600-03 | Backer plate, Skylight, 26" |
| 8. 116355 | Assembly, Skylight frame, 19" x 19" |
| 115600-01 | Backer plate, Skylight, 22" |
| 9. 116401-02 | Extrusion, Roof channel, 258" |

EXTERIOR SHELL

Wrap Protectors and Holdbacks



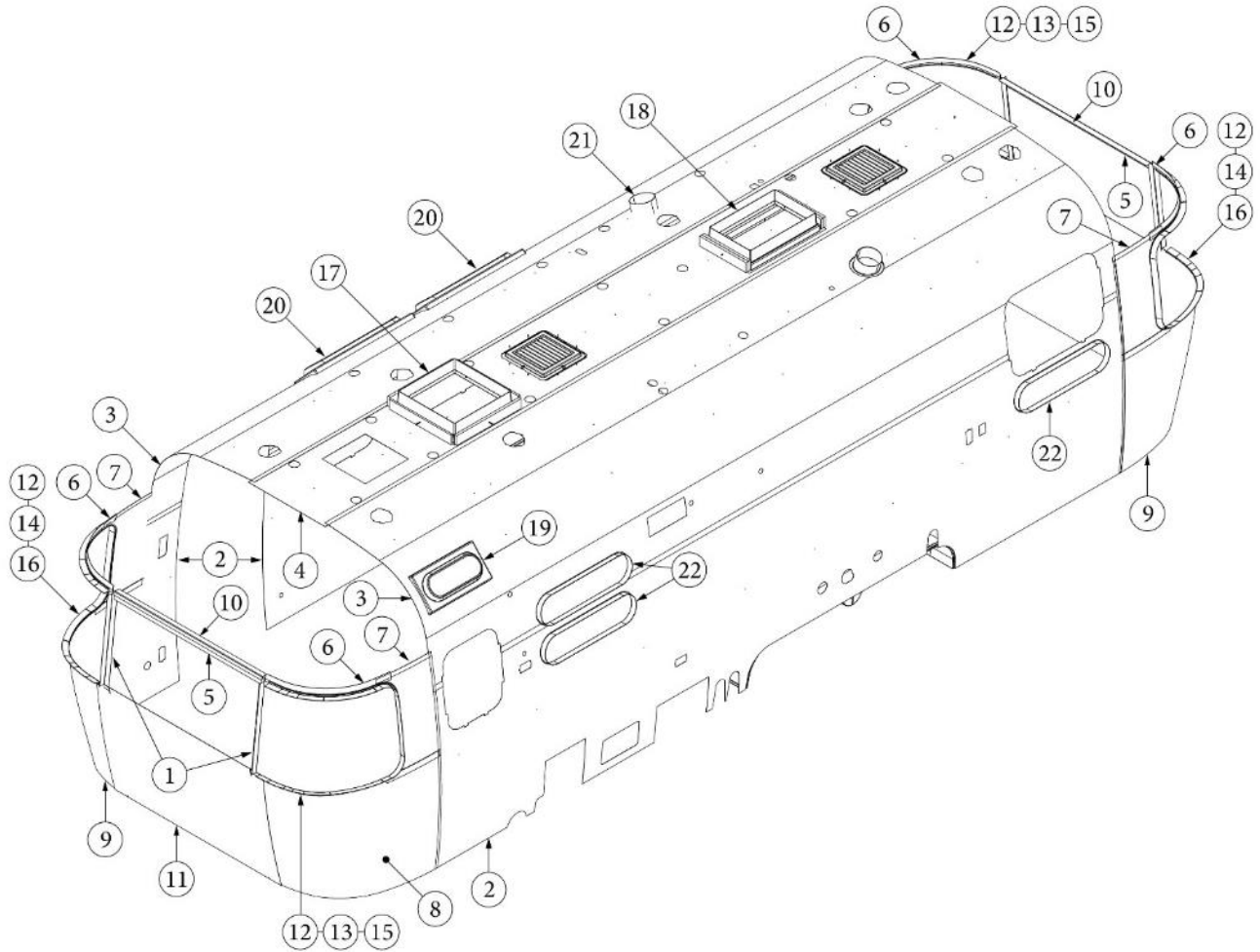
109325-100
109325-02

Wrap Protector Set, Tall
Wrap Protector Set, Short, CSA

- | | |
|--------------|--|
| 1. 966277 | Wrap Protector, Tall, RS |
| 685366-100 | Wrap Protector, RS, Short, CSA |
| 2. 966276 | Wrap Protector, Tall, CS |
| 685365-100 | Wrap Protector, CS, Short, CSA |
| 3. 114819-02 | Wrap protector hold back, 2" |
| 4. 114819-03 | Wrap protector hold back, 5" |
| 5. 381605-03 | Piano hinge, Stainless Steel |
| 100742-01 | Extrusion, Mirror trim |
| 116421 | Extrusion, Rub rail |
| 201709-02 | Extrusion, Trim molding, Black |
| 201763-100 | Extrusion, Trim molding, Chrome Insert |
| 114465-01 | Casting, Rub rail, RH |
| 114465-02 | Casting, Rub rail, LH |
| 685343 | Gusset, Corner |
| 500096 | Reflector, Amber |

INTERIOR SHELL

Interior Skin, Queen



Parts Listed on Next Page

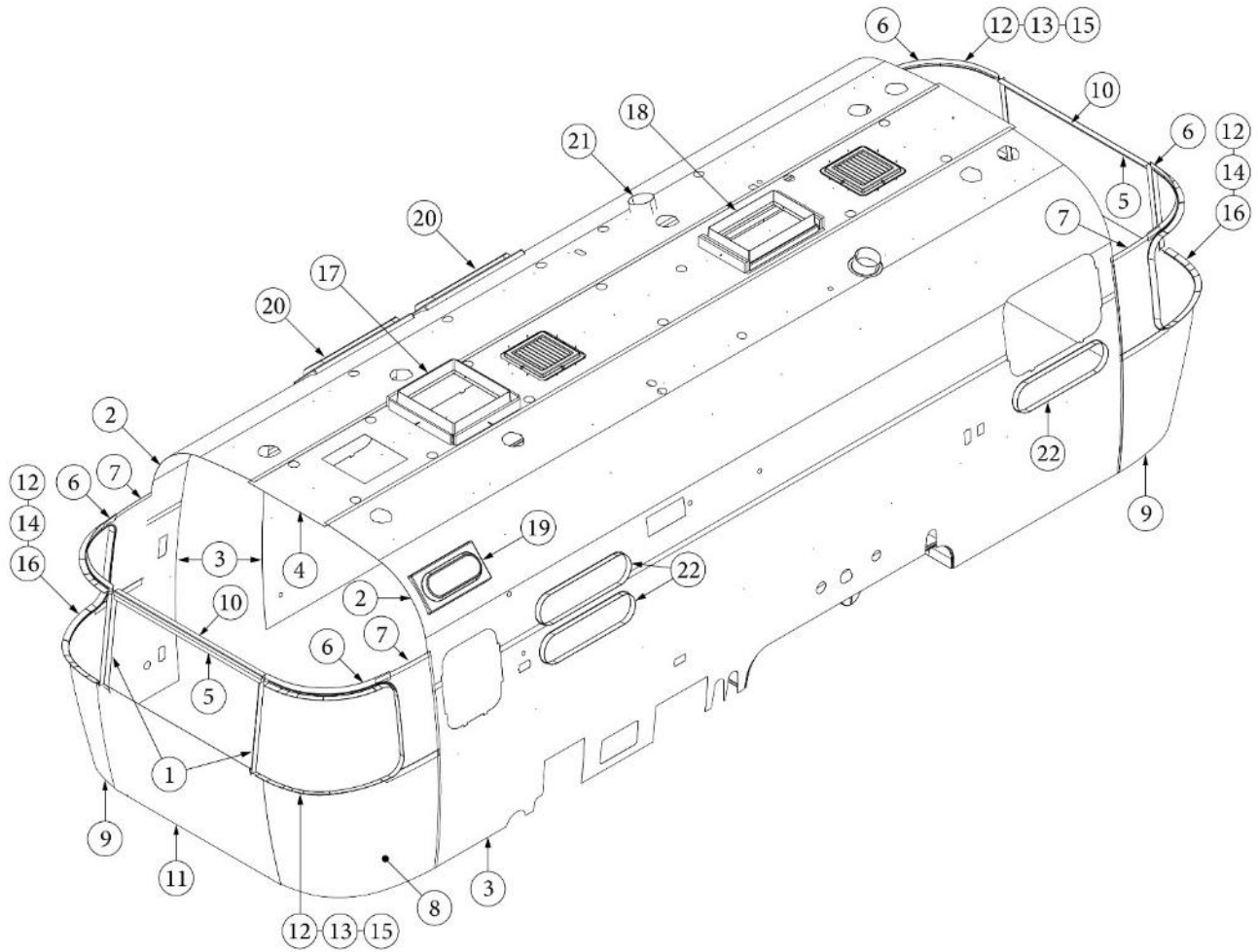
INTERIOR SHELL

Interior Skin, Queen

113560-02	Install, Interior skins
1. 110900	Interior trim, Front/Rear window
2. 114880-03	Interior skin, Lower, 224.75"
3. 116222-03	Interior skin, Upper, 2 AC, 222.75"
4. 116223-03	Interior skin, roof, 224.75"
5. 116148-01	Trim sheet, End locker, WB
6. 116148-03	Interior skin, Window trim
7. 116151	Interior skin, Panoramic side trim
8. 116152	Interior skin, Lower end shell skin, Left
9. 116153	Interior skin, Lower end shell skin, Right
10. 116154	Bracket, Roof locker
11. 116343	Interior plate, Wide body
12. 201578-02	End cap, Trim ring, Gray
13. 201579-02	Trim ring, Lower RS, Gray
14. 201580-02	Trim ring, Lower CS, Gray
15. 201581-05	Trim ring, Upper RS, Gray
16. 201581-06	Trim ring, Upper CS, Gray
17. 203785-01	Trim ring, Skylight, Low Profile, 14 x 22
18. 203786-02	Trim ring, Skylight, Low Profile, 14 x 22
19. 203961-03	Trim ring, Interior, Vista view 18
20. 203961-04	Trim ring, Interior, Vista view 30
21. 690266-08	Trim ring, Bath exhaust
22. 372267	Trim ring, Portal window, 30"
112179&000818CC	Pre laminate, 2.75 x 15
112180&000818CC	Pre laminate, 2.75 x 21
112180&000912CC	Pre laminate, 2.75 x 20

INTERIOR SHELL

Interior Skin, Twin



Parts Listed on Next Page

INTERIOR SHELL

Interior Skin, Twin

113560-04	Install, Interior skins/trim
1. 110900	Interior trim, Front/Rear window
2. 116222-03	Interior skin, Upper, 2 AC, 222.75"
3. 114880-03	Interior skin, Lower, 224.75"
4. 116223-03	Interior skin, roof, 224.75"
5. 116148-01	Trim sheet, End locker, WB
6. 116148-03	Interior skin, Window trim
7. 116151	Interior skin, Panoramic side trim
8. 116152	Interior skin, Lower end shell skin, Left
9. 116153	Interior skin, Lower end shell skin, Right
10. 116154	Bracket, Roof locker
11. 116343	Interior plate, Wide body
12. 201578-02	End cap, Trim ring, Gray
13. 201579-02	Trim ring, Lower RS, Gray
14. 201580-02	Trim ring, Lower CS, Gray
15. 201581-05	Trim ring, Upper RS, Gray
16. 201581-06	Trim ring, Upper CS, Gray
17. 203785-01	Trim ring, Skylight, Low Profile, 14 x 22
18. 203786-02	Trim ring, Skylight, Low Profile, 14 x 22
19. 203961-03	Trim ring, Interior, Vista view 18
20. 203961-04	Trim ring, Interior, Vista view 30
21. 690266-08	Trim ring, Bath exhaust
22. 372267	Trim ring, Portal window, 30"
112179&000818CC	Pre laminate, 2.75 x 15
112180&000818CC	Pre laminate, 2.75 x 21
112180&000912CC	Pre laminate, 2.75 x 20

Interior Wheel Well Liner

204217-02	Wheel well, Inner liner, Dual axle
204218-01	Insulation, Wheel well, Dual axle, A
204218-02	Insulation, Wheel well, Dual axle, B

CHASSIS

Axles

410980-02 Axle, 3800 LB, Nev-R-Adjust
410980-102 12" LH Nev-R Adjust Brake Assembly
410980-103 12" RH Nev-R Adjust Brake Assembly

Shocks

0220003 Shock absorber
0250173-20 Screw, Grade 5, 5/8"-18 x 2", Shock mount
0130068-818 Nut, Hex head, Flanged, 5/8", 18, Shock mount

Tires and Wheels

411190 Tire & wheel assembly
400844-01 Center cap, Stainless Steel
400923 Lug nut, .5", Acorn type

Spare Tire and Carrier

112901 Install, Spare Tire Carrier

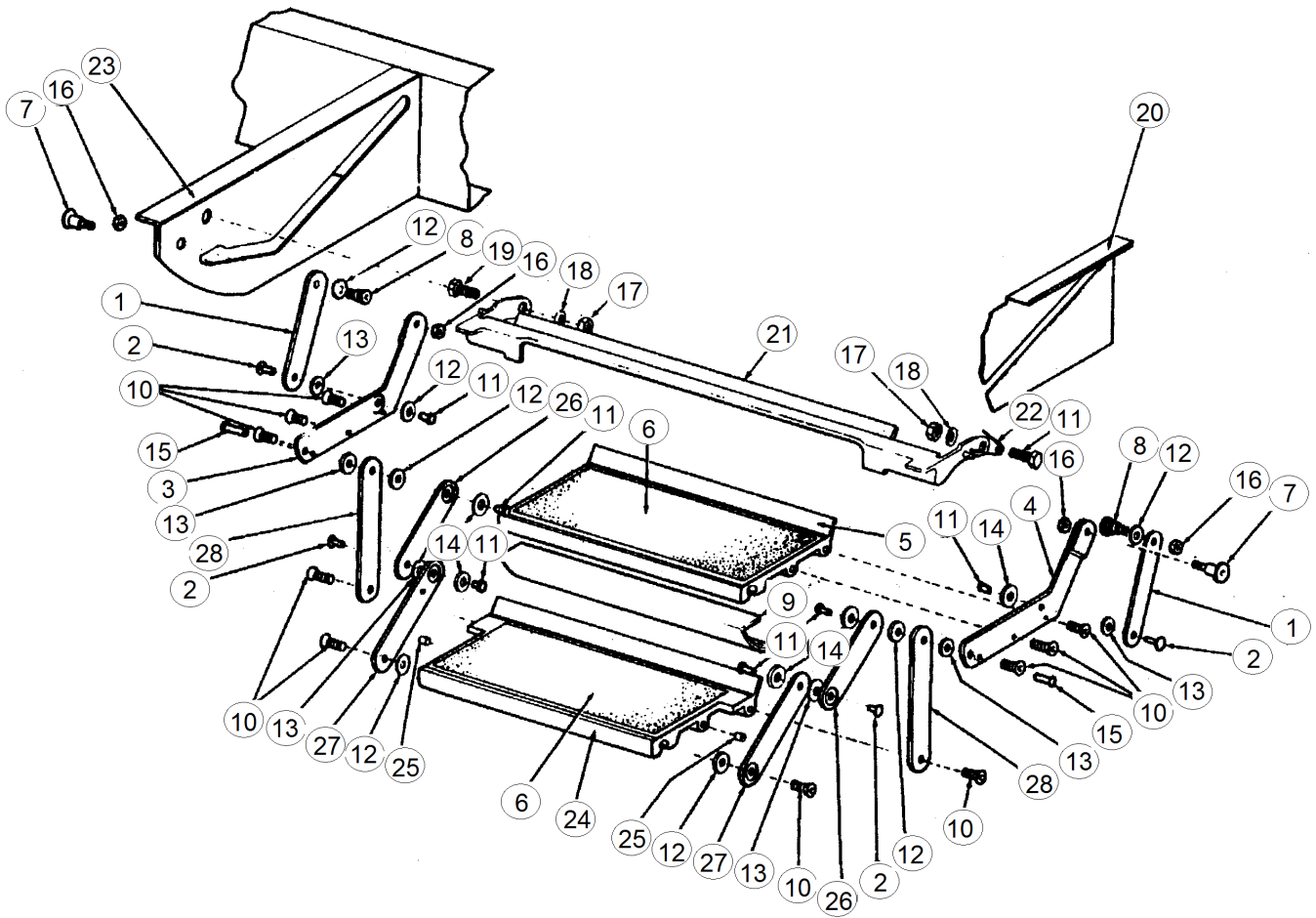
455888 Spare tire Carrier
455644 Spare tire/Wheel Assembly, with TPMS
0360501 Pin, Clevis, 3/8 x 1-3/4, #0360501
0360502 Hairpin, Cotter, .38 x 1.88, #0360502
345251 Bolt, Hex Head, 1/2-13 x 1-1/2, Gr 5
345279-04 Bolt, Hex. Head, 5/16-18 x 1in
350147-31 Nut, Nylon Lock, 5/16-18

Hitch Coupler

455653 Demco 2 5/16 12.5 K Coupler
455654 Adjustable Coupler Lock
500886-01 7-Way cable w/plug, 12'
454526 Bracket, Breakaway switch
410612 Safety Chain, 33"
451324 Loop, Safety Chain

CHASSIS

Step Assembly



Parts Listed on Next Page

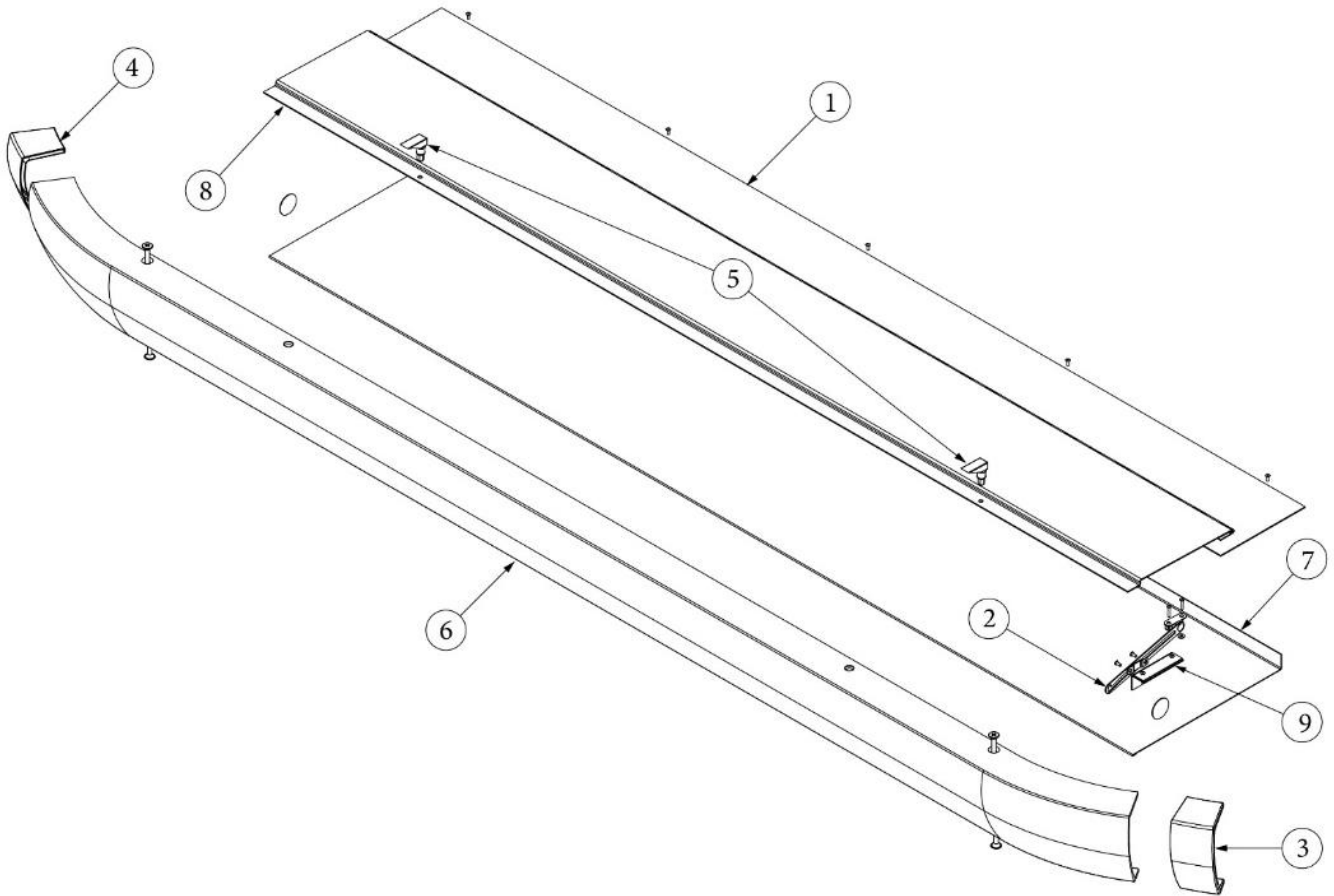
CHASSIS

Step Assembly

3440006	Double step assembly
1. 680213	Arm, upper support
2. 680214	Pin, hinge
3. 680215	Step bracket, left
4. 680216	Step bracket, right
5. 680217	Extrusion, step 20.5"
6. 380069	Safety tread
7. 382998	Slider stud, Aluminum step
8. 001145	Bolt, shoulder, 3/8" thread
9. 680220	Panel
10. 680221	Screw, flat head
11. 680222	Bolt, socket head
12. 680223	Washer, bronze
13. 680224	Washer, wave
14. 680225	Washer, aluminum
15. 680226	Pin, pivot
16. 350290	Locking Nut, Prevailing Torque, Grade C, 3/8-16
17. 350147-25	Nut, Nylock
18. 300005	Washer, flat
19. 345016	Screw, machine
20. 410523	Outrigger, RH (Not included with step assembly.)
21. 100298	Casting, step release
22. 0440032	Step spring
23. 400455	Outrigger, LH (Not included with step assembly.)
24. 410200	Extrusion, step, 20.0"
25. 380075	Bullet catch
26. 400004	Hinge arm, upper
27. 400003	Hinge arm, lower
28. 400005	Arm, lower support
116167-01	Underbelly wrap, Sheet Aluminum, .23 x 30 x 144"
454616	Step support strip
365001	Tape, Foam, Double Sided, White

CHASSIS

Bumper and Storage



113696

Install, Trunk and Bumper

- | | |
|--------------|--|
| 1. 114849-06 | Aluminum sheet, .06" x 36" x 8', Black |
| 2. 380024 | Arms support, Trunk lid, RH |
| 3. 382289-01 | End cap, Bumper, CS |
| 4. 382289-02 | End cap, Bumper, RS |
| 5. 382456 | Swell latch |
| 6. 411054 | Rear bumper |
| 7. 453538 | Sewer hose compartment, bottom |
| 8. 453497-01 | Lid, Rear hose carrier, Black |
| 380203-02 | Piano hinge |
| 9. 114812 | Aluminum Angel, 1 x 1 x 3" |
| 112671-12 | Vinyl - Compartment Liner |

CHASSIS

Stabilizing Jacks

401027-04 Stabilizer jack kit
513311 Switch, Stabilizer jack, DPDT

Hitch Jack

401075-01 Jack-Electric-3500#
401075-0100 Crank Handle
401075-0101 Level
513305 Multi-hitch, Power jack switch

Hose Carrier

602619-02 EZ hose carrier, 64", Black

Underbelly

116167-01 Underbelly wrap, Sheet Aluminum, .23 x 30 x 144"
115684 Underbelly, Aluminum, .035 x 65.75

Bumper End Caps

382289-01 Bumper end cap, Right hand
382289-02 Bumper end cap, Left hand

DECALS, EXTERIOR TRIM

Decals and Medallions

386449	Nameplate, Pottery Barn
386272	Decal, Airstream, Black chrome
386479	Logo for window guard, Pottery Barn

Belt Line Trim

116420	Extrusion, Belt line molding
201912-100	Molding, Belt line insert, Chrome
114417	Casting, Belt line closeout

Rub Rail Trim

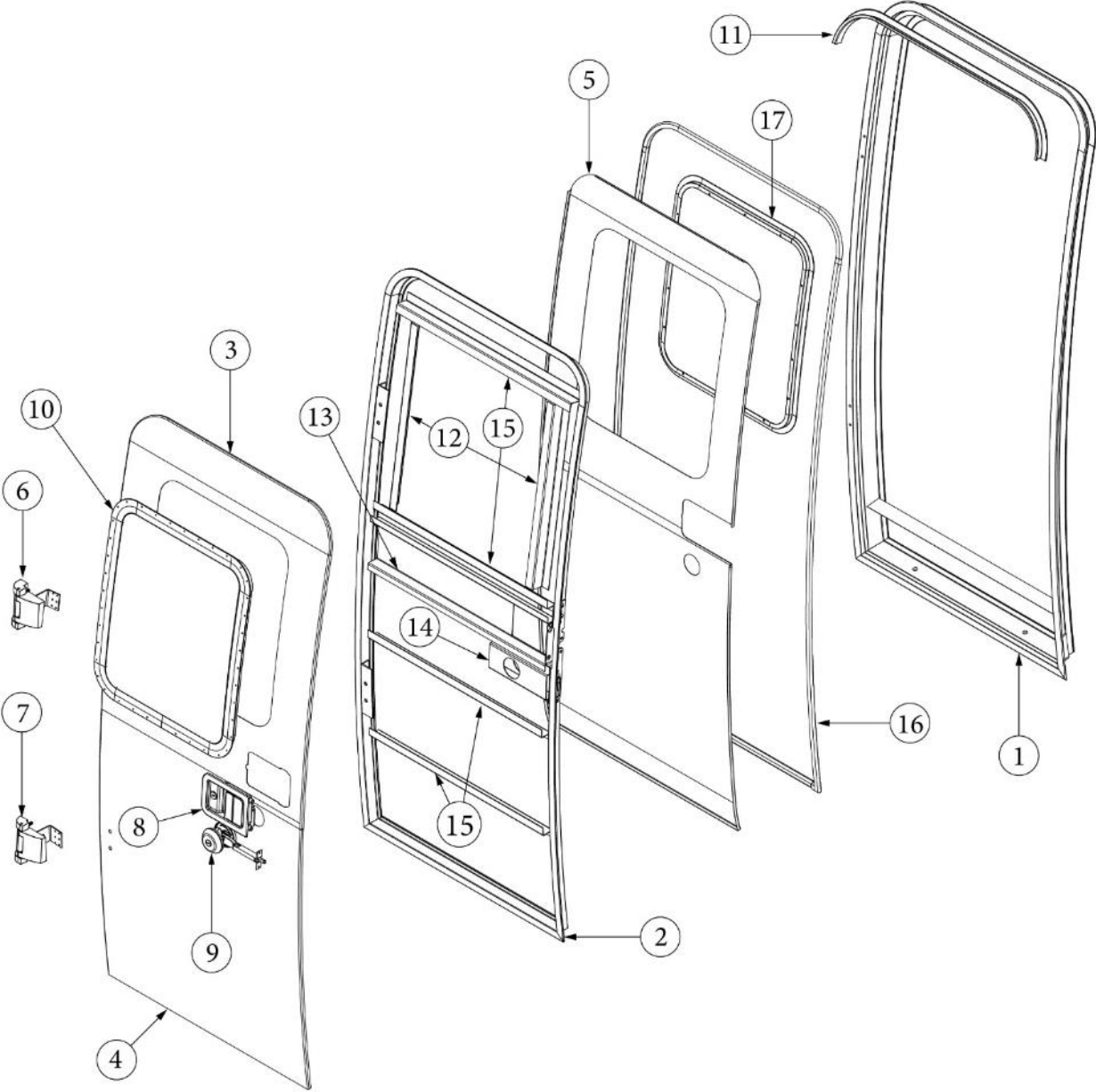
116421	Extrusion, Rub rail
201763-100	Insert, Rub rail, 1", Chrome
114466-01	Closeout, Casting, Rub rail, Angled, RH
114466-02	Closeout, Casting, Rub rail, Angled, LH
114465-01	Closeout, Casting, Rub rail, RH
114465-02	Closeout, Casting, Rub rail, LH

Reflectors

500095	Reflector, Red rectangular
500096	Reflector, Amber
513641	Reflector, Amber, Round, 2.19"
513642	Reflector, Red, Round, 2.19"

EXTERIOR DOORS

Main Door, LH Hinge, Old Style



Parts Listed on Next Page

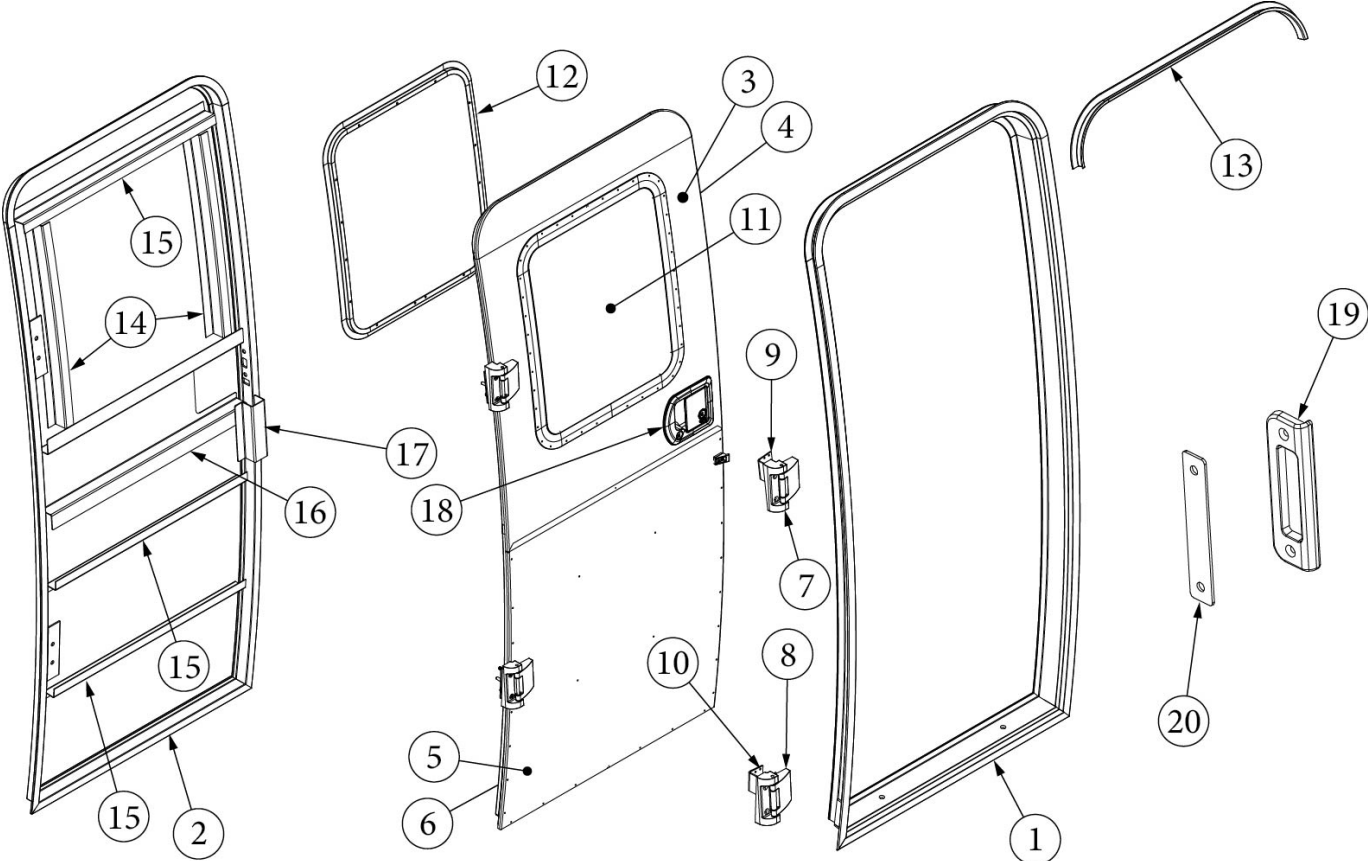
EXTERIOR DOORS

Main Door, LH Hinge, Old Style

115207	Main door, LH hinge
1. 114652	Formed jam, Main door
2. 114653	Formed frame, Main door, LH hinge
3. 114448-03	Outer skin, Main door, Upper
4. 114449-03	Outer skin, Main door, Lower
5. 114475	Inner skin, Main door
6. 381552-03	Hinge assembly, Main door, Upper, LH
7. 381552-04	Hinge assembly, Main door, Lower, LH
8. 381547-04	Striker bolt w/washer, Main door lock
385595	Pocket strike, Main door
9. 382069	Deadbolt assembly, Trimark
10. 371400-01	Window assembly, Main door
11. 114363	Drip cap, Main door
12. 114658	Z Bar, Inner door, Vertical
13. 114657	Hat section, Main door
14. 115413	Hat section, Dead bolt, Main door
15. 114658-03	Z Bar, Inner door, Horizontal
16. 365232	Seal, Main door
17. 115208	Inner window frame, Main door
203370	Spacer, Deadbolt
380290	Housing latch, Door stay
380291	Latch assembly set, Door stay
201056	Striker, Main door, Black plastic
203620	Spacer, Striker, Main door
114507-03	Trim, Main door
454898	Nut plate, Main door
115207-8	Window stiffener, Main door
203494	Baseplate, Door latch
101171-02	Grab handle, Silver
382074	Gasket, Grab handle
382194	Headnocker, Main door
195616	Chalk board, Door

EXTERIOR DOORS

Main Door, LH Hinge, New Style



Parts Listed on Next Page

EXTERIOR DOORS

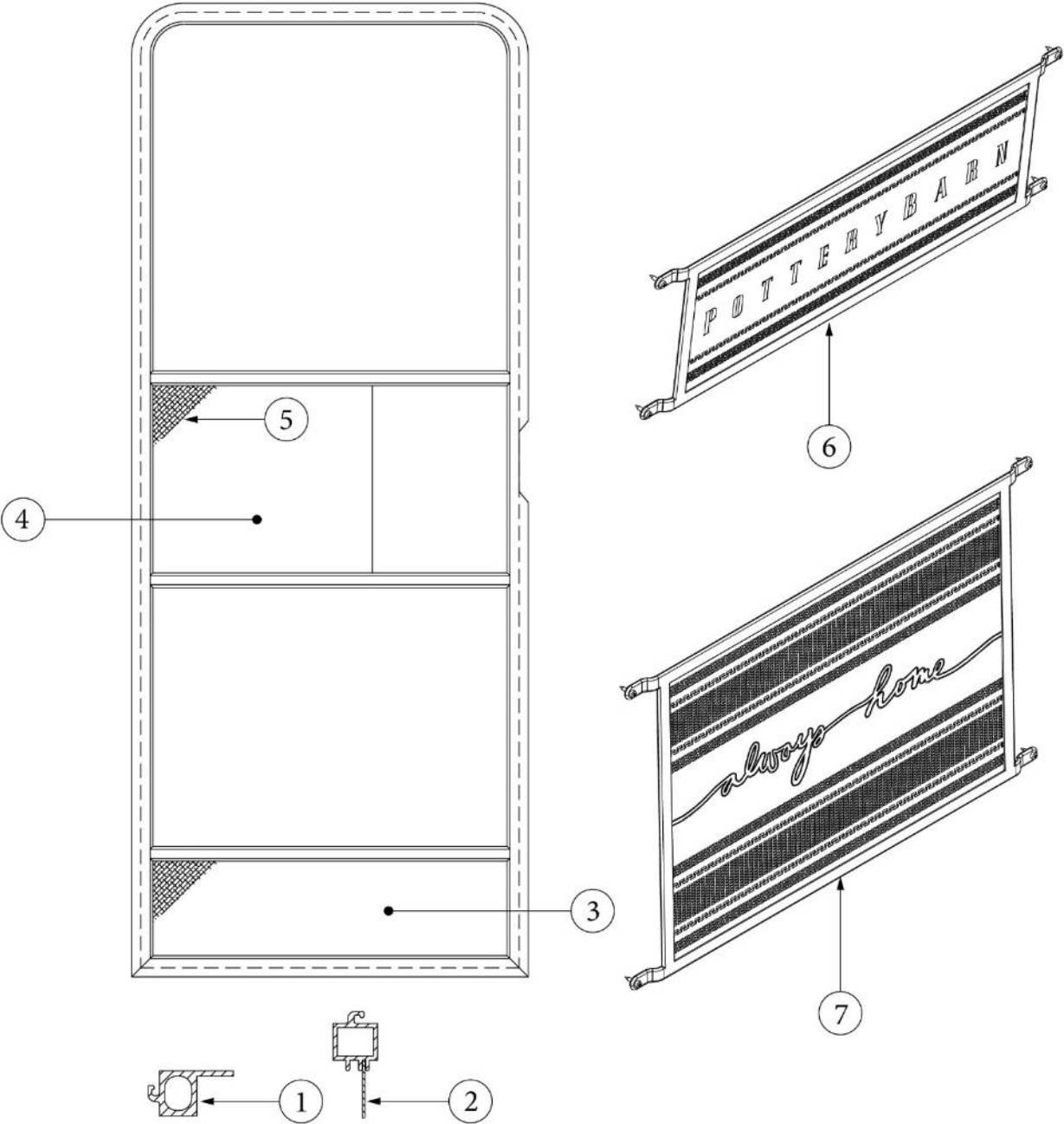
Main Door, LH Hinge, New Style

116515-02*	Main Door
1. 116508-02	Weldment, Jamb, Main Door, RH
2. 116507-02	Weldment, Frame, Main Door, RH
3. 116531-02	Skin, Entry Door, Exterior, Upper
4. 116532-03	Skin, Entry Door, Interior, Upper
5. 116531-04	Skin, Entry Door, Exterior, Lower
6. 116532-04	Skin, Entry Door, Interior, Lower
7. 381552-03	Hinge, Main door, Upper
8. 381552-04	Hinge, Main door, Lower
9. 381531-01	Hinge, Screen Door, Lower
10. 381531-02	Hinge, Screen Door, Upper
11. 371400-01	Window, Main door
12. 115208	Window Frame, Main Door, Interior
13. 114363	Drip cap, Main door
14. 114658	Z-Section, Main Door, Vertical
15. 114658-03	Z Section, Main Door, Horizontal
16. 116275	Hat Section, Main Entry Door
17. 116517	Latch Brace, Entry Door Latch
18. 383017-01	Outer Latch Assembly, W/Deadbolt
383017-02	Inner Latch Assembly, W/Deadbolt
383017-03	Screw Kit, Inside Handle Mounting
19. 116274	Striker Catch, Main Door
20. 116509	Backer Plate, Striker Catch, Main Door
454898	Nut plate, Hinge, Main door
201056	Catch, Striker, main door hold-back
203620	Spacer, Striker, main door hold-back
380291	Main Door Hold-Back
203494	Base Plate, Main Door Hold-Back
365232	Seal, Main door
365013	Seal Foam Tape, Screen Door
365222-02	Tape, VHB, Double Sided, Grey
365001	Tape, Double Coated, Foam
365334	Sealfoam Tape, 7#, w/PSA, 1/8" x 9/16"
203740-01	Insulation, Eco-Batt, Fiberglass
365335	Tape, Sealfoam, w/PSA, .75"
365016	Tape, Double Coated, Foam, 1/2"
382130	P-Gasket, w/3M Tape

*116515-02 (LH main door) replaced 115207 (LH main door) Mid model year

EXTERIOR DOORS

Screen Door, Old Style



Parts Listed on Next Page

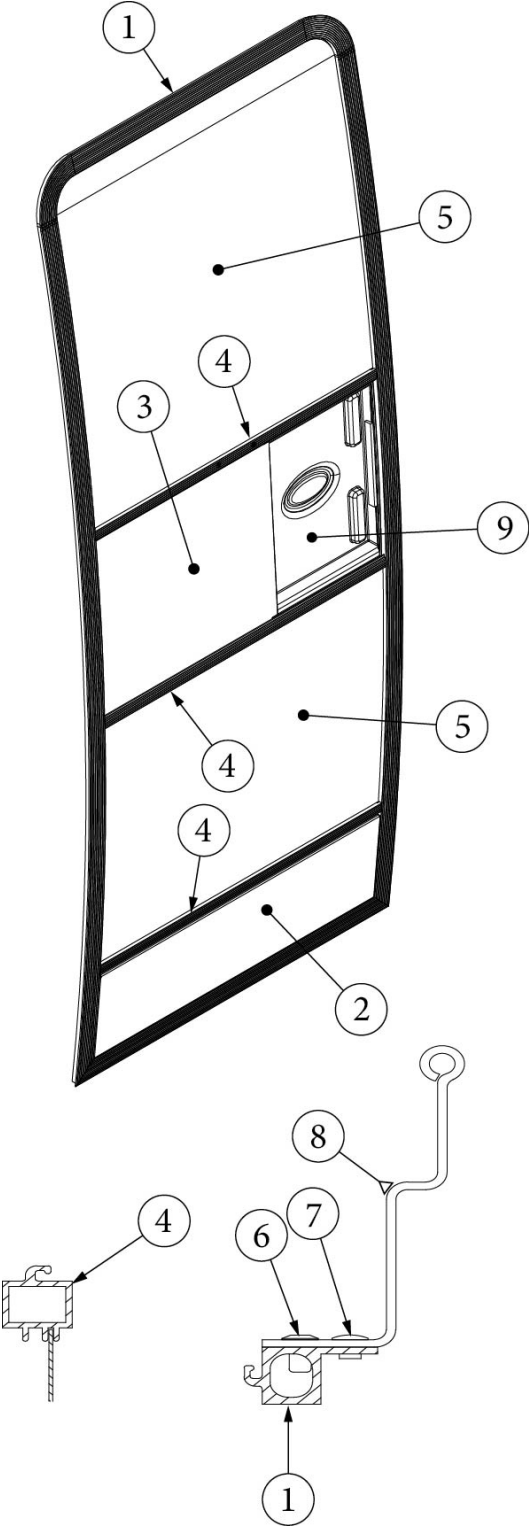
EXTERIOR DOORS

Screen Door, Old Style

114654	Screen Door, LH Hinge
1. 104782-186	Extrusion, Frame
2. 104784-78	Extrusion, Screen door stiffener
3. 114648-01	Kick panel
4. 114561-01	Panel, Slider
5. 380079	Screen, Gray
6. 116366-01	Top Guard, Screen door, Pottery Barn
7. 116366-02	Bottom Guard, Screen door, Always Home
380004	Handle with 8/32" x 1 screw
203287-02	Close out, Plastic
701624	Velcro, loop 5/8" wide
701625	Velcro, hook 5/8" wide
383024	Latch, Screen Door, RH
383025	Latch, Screen Door, LH
383026	Striker Plate, Screen Door

EXTERIOR DOORS

Screen Door, New Style



Parts Listed on Next Page

EXTERIOR DOORS

Screen Door, New Style

116516-02*	Screen Door, LH
1. 104782-186	Extrusion, Frame
2. 114648-01	Kick panel
3. 114561-01	Pre laminate, Slider
4. 104784-78	Extrusion, Screen door stiffener
5. 380079	Screen, Gray
6. 330153	Rivet, 5/32, Mill finish
7. 325122	Rivet, 5/32, Brazier head
8. 385577-02	Tape, Clear, 1-7/8" wide
9. 203287-02	Close out, Plastic
116366-01	Top Guard, Screen door, Pottery Barn
116366-02	Bottom Guard, Screen door, Always Home
365013	Seal Foam Tape, Screen Door
380004	Handle with 8/32" x 1 screw
115171-01	Screen door guard, Top
115171-02	Screen door guard, Bottom
0404-0001	Spline, Gray
381531-01	Hinge, Screen Door, Upper
381531-02	Hinge, Screen Door, Lower
383024	Latch, Screen Door, RH
383025	Latch, Screen Door, LH
383026-01	Striker Plate, Screen Door
386068-01	Medallion, 3" Logo, Airstream, Main door

*116516-02 (LH screen door) replaced 114654 (LH screen door) Mid model year

EXTERIOR DOORS

Access Door, Battery

455980	Assembly, Battery Box Lid, Complete
455979	Battery box, Lid only
382659-3	Battery box lid hinge
386564-01	Lock Cylinder, Cam, 1.25"
386559	Cam lock

Access Door, Furnace

116206	Furnace door cover, Large
690809	Furnace Door and Bezel

Access Door, Water Heater

690769-03	Water heater door, Grey
-----------	-------------------------

Access Door, Exterior Shower

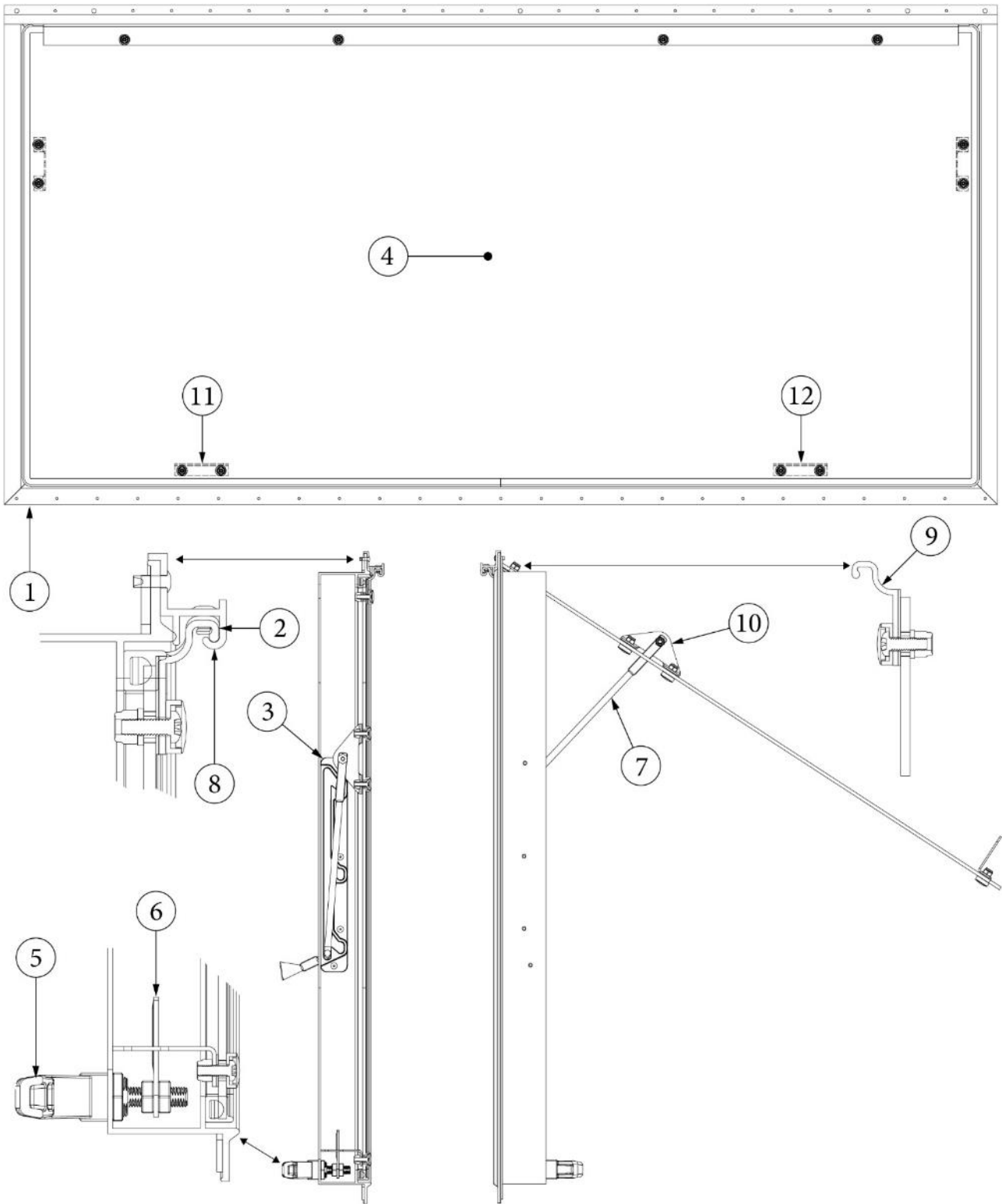
602326	Exterior shower
602326-100	Shower head with hose & mixer
602326-101	Exterior shower door
602326-101P	Pin for shower door
602326-101S	Spring for shower door
602326-102	Clip for shower head

Compartment Doors

923468	Frame Assembly, Compartment Door, Large
923468-01	Compartment Door-Large, Assy
116055-2	Frame- Compartment Door-Large
382650	Seal-Compartment Door
382230-03	Latch-Compression - Locking
382638-2	Hinge-Compartment Door, Large
381065-10	10"" Cable Support
382737	Gasket-Compartment Door Closeout

WINDOWS

Window, Flat, Front and Rear



Parts Listed on Next Page

WINDOWS

Windows, Flat, Front and Rear

371346-02	Window, Front, Flat
371346-01	Window, Rear, Flat, Egress
1. 371446-02	Extrusion, Exterior window frame
2. 115770	Hinge stop
3. 382359	Opening window guide, LH, Black Nylon
382360	Opening window guide, RH, Black Nylon
4. 195510-24	Assembly, Rear window glass
5. 382367-01	Assembly, Window latch (non-emergency)
382367-02	Assembly, Window latch (emergency)
6. 115776	Lock Paw, Window latch assembly
7. 382361	Window opening arm, LH
382362	Window opening arm, RH
8. 371449-01	Extrusion, Window hinge, Fixed, 51"
9. 371450-04	Extrusion, Window hinge, Glass, 47"
10. 114478	Bracket, Window prop
11. 114479-01	Bracket, Window closer, Right
12. 114479-02	Bracket, Window closer, Left
371355	Glass only, Flat window
115780-01	Latch handle (non-emergency)
115780-02	Latch handle (emergency)
115779	Latch shaft
310030	Drive lock pin (latch shaft)
115778	Latch body
382356	Latch spring
382358	Snap cap, Screw cover

WINDOWS

Windows, Panoramic

372088-101 Panoramic window, RS front, CS rear
372089-101 Panoramic window, CS front, RS rear

Windows, Roadside, Curbside

371323-01 Window, Opening, 18"
371324-02 Window, Opening, 30"
371380 Window, Opening, Tall, 30"
371435 Window, Stacked, 30"
371437-01 Window, Vista view, 18"
371437-02 Window, Vista view, 30"
371400-01 Window, Main door

Windows, Bath

372321 Window, Bath door
204259 Glass only, Bath door

Windows, Screens

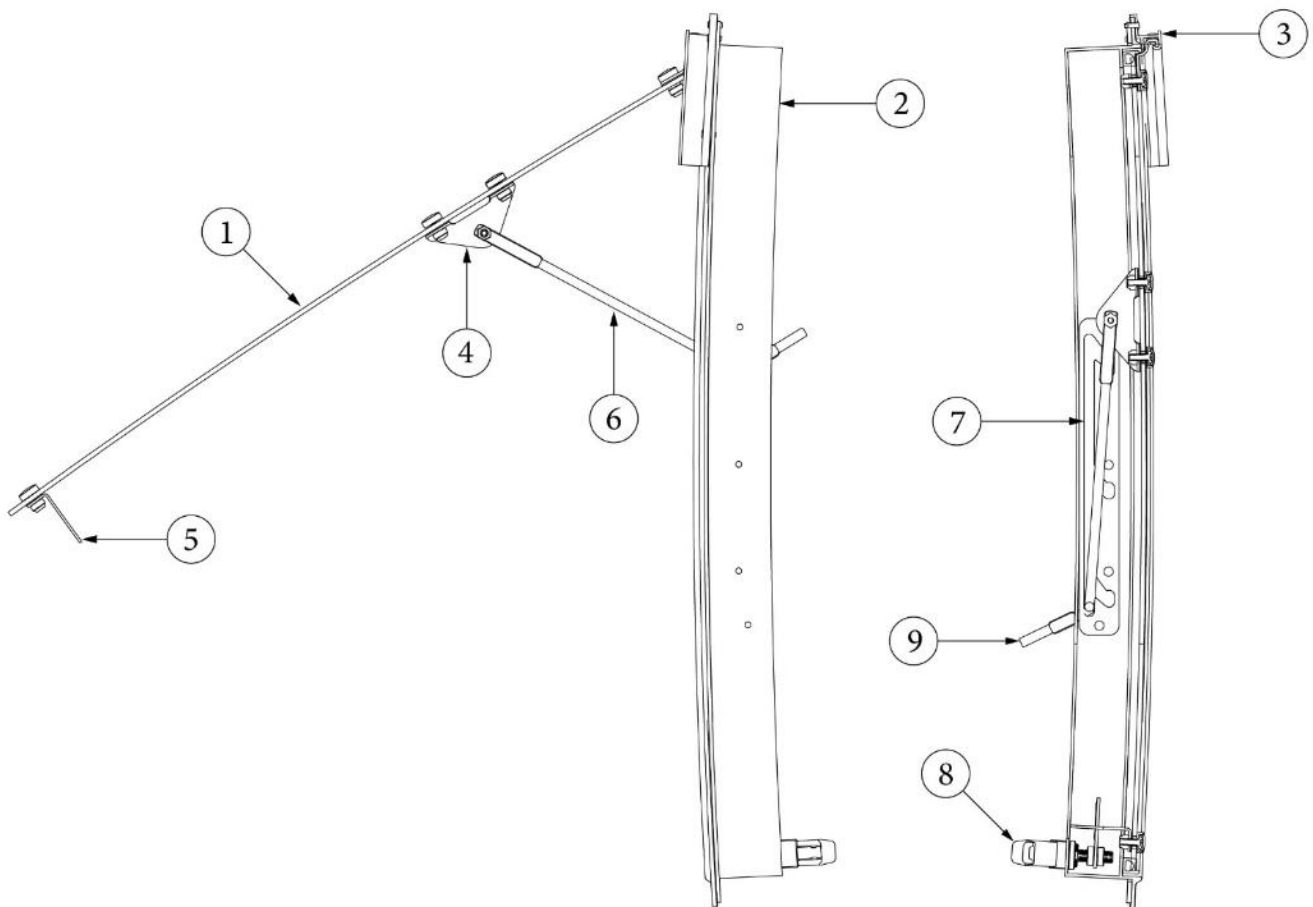
371347-03 Screen, Flat, Front, 50"
371347-04 Screen, Flat, Rear, 50"
372175-04 Screen, Opening window, 30"
372215-01 Screen, Opening window, Tall, 30"
372174-03 Screen, Opening window, 18"
380079 Screen, Gray
195507-13 Adhesive, Rubber & Gasket
0402-0001 Seal, Fuzz Black (Screen)
0404-0001 Seal, Spline, .135 Hollow Rib

Window Parts, Vista Windows

371437-01 Vista view window, 18"
203961-03 Trim ring, Vista view, 18"
704199-01 Shade, 19.25 x 9.5, 1" rail, Ash Grey
371437-02 Vista view window, 30"
203961-04 Trim ring, 30" vista view
704199-02 Shade, 31.25 x 9.5, 1" rail, Ash Grey

WINDOWS

Window Parts, Opening Windows



Parts Listed on Next Page

WINDOWS

Window Parts, Opening Windows

371323-01	Window, 18", Opening
371324-02	Window, 30", Opening
371380	Window, 30" tall, Opening
1. 195510-12	Glass assembly, 18" window
195510-07	Glass assembly, 30" opening window
195510-93	Glass assembly, 30" tall window
2. 371447-03	Frame assembly, 18" window
371447-02	Frame assembly, 30" window
371447-01	Frame assembly, 30" tall window
3. 371448-07	Extrusion, Window hinge eyebrow, Fixed, 18" window
371448-06	Extrusion, Window hinge eyebrow, Fixed, 30" window
371448-05	Extrusion, Window hinge eyebrow, Fixed, 30" window, Tall
4. 114478	Bracket, Window prop
5. 114479-01	Bracket, Window closer, RH
114479-02	Bracket, Window closer, LH
6. 382362	Opening arm, RH
382361	Opening arm, LH
7. 382360	Window guide, RH
382359	Window guide, LH
8. 382367-01	Latch assembly, Chrome
115780-01	Handle, Chrome
9. 380230-03	Knob, Window arm, Silver
380230-04	Knob, Window arm, Red
115776	Lock paw, Window latch
115770	Hinge stop
115778	Latch body, Zinc die cast
115779	Latch shaft
310030	Drive lock pin, 5/32 x 5/8

WINDOWS

Main Door Window Trim Ring

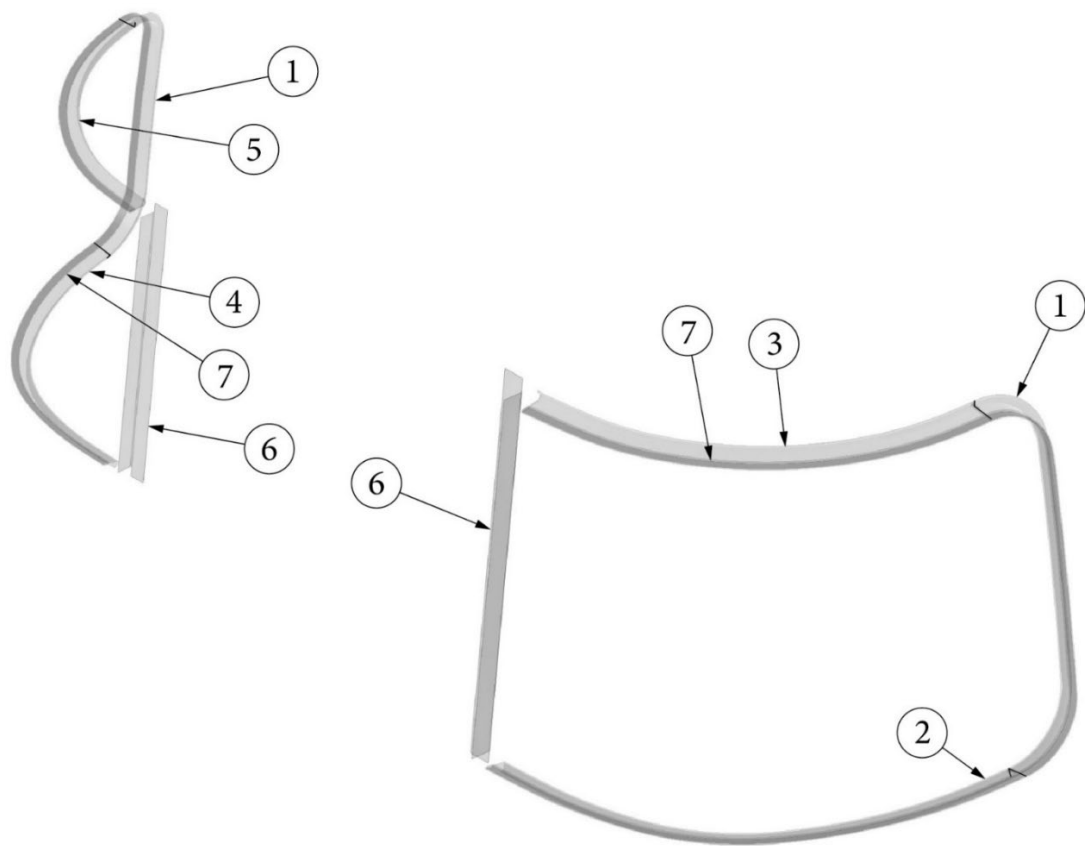
115208 Trim ring, Main door window

Window Trim

372269 Trim ring, Inner support, 30"
203961-03 Trim ring, Vista view, 18"
203961-04 Trim ring, Vista view, 30"
372267 Trim ring, 30" stack window, Clear

WINDOWS

Panoramic Window Trim



135394
135395

Install, Panoramic Window Trim, CS
Install, Panoramic Window Trim, RS

- 1. 201578-02
- 2. 201579-02
- 3. 201581-05
- 4. 201580-02
- 5. 201581-06
- 6. 110900
- 7. 203225-01

End cap, Trim ring, Aluminum
Trim ring, Lower, Aluminum
Trim ring, Upper, Aluminum
Trim ring, Lower, Aluminum
Trim ring, Upper, Aluminum
Trim formed, Aluminum.
Trim Lok, Gray, .75" #1375-1/8, G-7

WINDOWS

Window Rock Guards

110188-01	3-piece stone, Panoramic windows, Wide body
110102	Stone guard, Center piece only, Wide body
685275-101	CS wrap protector, Solar Grey, Stone guard
685275-102	RS wrap protector, Solar Grey, Stone guard
685358	Turn fast stud
685362	Retainer, Split ring
685359	Rubber receptacle
685361	Bracket for rubber receptacle
685361-01	Bracket for rubber receptacle
685363	Slip joint hinge, SS, CS per pair
683960	Arm support
114749	Y-hinge
114750	J-hinge
381021-01	Latch, Draw flexible
114815-01	Extrusion, Frame, Aluminum
685354	Front window key, 90° angle
685378-01	Rubber spline, 1/4"
685351	Rubber frame, Black
685355	Slip joint, SS hinge
101401	Extrusion, Door latch housing

AWNINGS

Power Awning

704825-16 Power awning, 18'

Side Awning

704826-42 Window awning, side, 18' 6-1/4"

Window Awning, Rear

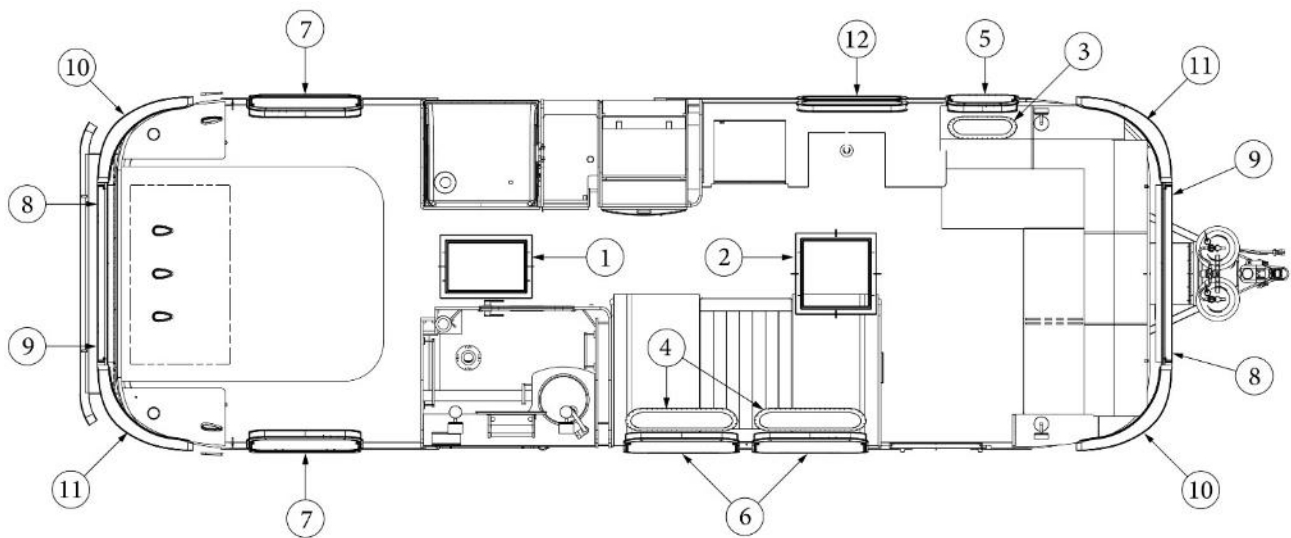
704826-43 Window awning, rear, 52-5/8"

Awning Installation Parts

704825-02 Hardware kit, 79.63" support arm
365527 Gasket Kit, Awning
382202 Grommet, Liquid tight
382225 Grommet, Black, 1/2" OD
382199-03 Hole cover, 2"
385577 Tape, Clear, Wear strip, 3.5" wide
512652 Power cable, Relax awning

WINDOW COVERINGS

Drapes and Shades



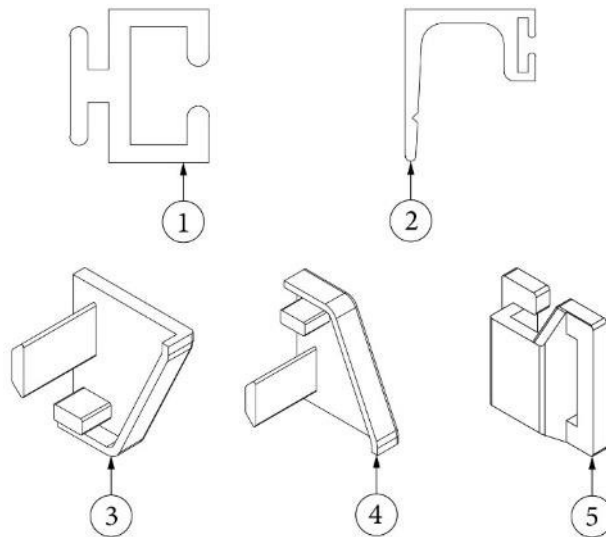
113699

Install, Drapes and Shades

- | | |
|---------------|---------------------------------------|
| 1. 704120-01 | Shade, Skylight, 14.5" x 22.75", Grey |
| 2. 704120-02 | Shade, Skylight, 19.25" x 20", Grey |
| 3. 704199-01 | Shade, 19.25" x 9.25", Ash |
| 4. 704199-02 | Shade, 31.25" x 9.5", Ash |
| 5. 704900-01 | Roman Shade, 22" x 23" |
| 6. 704900-02 | Roman Shade, 34.5" x 29.5" |
| 7. 704900-03 | Roman Shade, 34.5" x 35" |
| 8. 998144-05 | Drape, CS front panel, 27" x 29" |
| 9. 998144-07 | Drape, RS front panel, 27" x 29" |
| 10. 998144-09 | Drape, CS side panel, 37" x 25.5" |
| 11. 998144-11 | Drape, RS panel, 40" x 25.5" |
| 12. 703700-02 | Shade, 32.5" x 24", Oceanair |

WINDOW COVERINGS

Drapes and Shades, Hardware



- | | |
|-----------|-------------------------------------|
| 1. 101217 | Track, Curtain |
| 2. 101225 | Bracket, Curtain stand off |
| 3. 200785 | End, Curtain track, LH |
| 4. 200784 | End, Curtain track, RH |
| 5. 700045 | Glides w/elastic "G" type |
| 704896 | Fabric, Emery Drape, Oatmeal |
| 704198 | Fabric lining blackout, Ivory White |
| 700005 | Fastener, Cap |
| 700006 | Fastener, Socket |
| 700020 | Pile Velcro |
| 700021 | Hook, Velcro, White |

Valances

- | | |
|-----------|---------------------------|
| 969693-01 | Valance assembly, Dinette |
| 969693-02 | Valance assembly, Bedroom |
| 969693-03 | Valance assembly, Lounge |

ELECTRICAL, 110 VOLT

Smartplug

513581 Inlet, 50A, Smartplug
513582 Cord, 50A, Smartplug

Power Center

513533 Distribution Center, 50A, AC service w/15DC circuits

Breakers, 110V

510564-01 Breaker, Bryant, 20 Amp
510564-06 Breaker, Type BR, 20GFI
510564-09 Breaker, Bryant, 15 Amp
511885 Breaker, 2P 120/240V, AC-5

Inverter and Converter

514263 Inverter, 2000W, Progressive Dynamics
514297 Convert/Charge 60A DC Output

ELECTRICAL, 110 VOLT

Receptacles

500563-04	Wall plate w/screws for 500563-03, White
512562	Receptacle gasket, Neoprene w/adhesive
514185	Receptacle Cover, Weatherproof
512642-06	Receptacle, 15A, Single, Self-contained
511815-01	Receptacle, Duplex, Self-contained, Black
511815-02	Plate, Décor, 1-Gang, Black
511815-03	Receptacle, White, 15A, 120V
511912	Place, Receptacle
514287	Wall Plate Power Supply, No Receptacle, Winegard
510888-07	Receptacle cover, White

ELECTRICAL, 12 VOLT

Battery and Battery Box

135266-02	Install, Lithium Batteries
513862	Battery, 12V, GC2, LifeP04, Battleborn, Lithium Option
513899	Smart Shunt, 500A/50mv Victron
204148	Battery hold down
514009	Rocker Switch, Battery Heater
514277-01	Battery Jumper, Positive
514277-02	Battery Jumper, Negative
512660-50	Fuse, Terminal 50 Amp, Red
386367	Label, Smart Unit Battery Heater
512661-01	Fuse Block, Terminal Stud, Dual
512660-200	Fuse, Terminal, 200A, Blue
381814	Wing nut, Battery
514255	Ground stud
203415	Battery tray
455980	Assembly, Battery Box Lid, Complete
455979	Battery box, Lid only
382659-3	Battery box lid hinge
386564-01	Lock Cylinder, Cam, 1.25"
386559	Cam lock
500836-02	Positive battery cable, 72"

7-Way Cable and Breakaway Switch

500886-01	7-Way cable w/plug, 12'
454526	Bracket, Breakaway switch

Tank Monitor System

513494-05	Tank Monitor, NMEA2000
514051-01	Senser Pad, Seelevel
512565	Harness, 3 tank interface

ELECTRICAL, 12 VOLT

Solar System

513475-01	Charge controller, BlueSolar
513475-08	Display, Control, Blue Solar Charger
514042	Solar Panel, 100W, Merlin
340308	Clip, Solar panel
513926	Cerbo GX, Victron
386560	Label, Smart Unit Cerbo GX
513899	Smart Shunt, Victron
514071	Solar Port, 3 Position
514203	Solar Port, External
382832	Foot mounting kit, Merlin
386477	Label, Solar Prewire
383013	Gasket Kit, Roof Top

Breakers, 12V

510947-20	Breaker, 12V DC, Type II, 20A
510947-30	Breaker, 12V DC, Type II, 30A
510947-50	Breaker, 12V DC, Type II, 50A
510946-04	Bracket, 4-Position, Circuit breaker, 12V

ELECTRICAL, 12 VOLT

Fuses

500883-01	Fuse 12, CSA 1 amp
513839	Fuse Holder, Maxi Blade
500773-15	Fuse, 12V DC, 15A
500773-01	Fuse, 12V DC, 1A
500773-20	Fuse, 12V DC, 20A
500773-30	Fuse, 12V DC, 30A
513346	Fuse, Bussman, GMA, 1A
512661-01	Terminal Fuse Block, Terminal Stud
512660-50	Fuse, Terminal 50 Amp, Red
512660-100	Terminal Fuse, 100A, Yellow

Switches and USB Ports

511958	Switch, doorbell
513469	Key switch, 24 Hour Power
514009	Rocker switch, Battery heater
513305	Switch, Multi-hitch, Power jack
513311	Switch, Stabilizer jack, DPTP
513707	Switch, Light, LED Single
514258	USB Port, A-C, Surface, Charger
513234	Adapter, USB Aux

ELECTRICAL, 12 VOLT

Wireless Backup Camera

512946-01	Digital wireless observation kit
512946-04	Digital wireless monitor, Voyager, 7"
512946-05	Camera, Digital Wireless Autopairing, Voyager
512946-100	Antenna
512946-101	Monitor mount w/suction cup
365392	Gasket, Backup camera
382225	Grommet, .5", Black

Exterior Lights

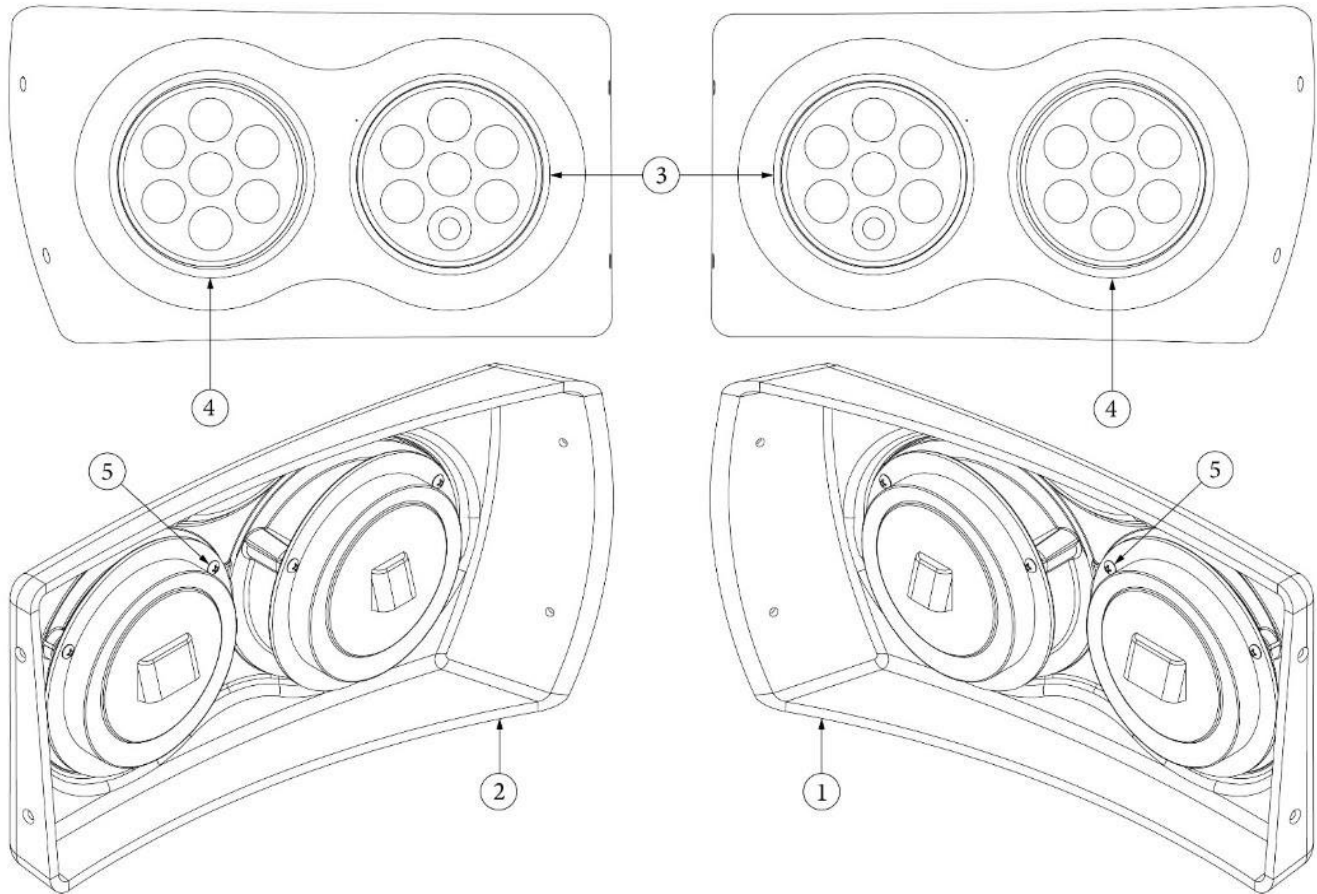
514065	License plate holder/light
514065-01	Light only, License plate
512860	LED clearance light, Red
512860-01	Flat Chrome base, Clearance light
512860-02	Gasket, Clearance Light
512928	Light, w/Curved bezel, required for top 3 lights
512928-01	Curved bezel
512928-02	Gasket, curbed bezel light
512859	LED clearance light, Amber
512859-01	Clearance light, Flat Chrome base
512859-02	Gasket, Amber Clearance light
513752	Light, Push Lens, LED, Courtesy
994165	Entrance light above main door
101323	Casting, Step light, Polished Aluminum
201185	Lens, Step light
512490	Bulb, 25 Diode, Entry light
512918-02	LED flex light strip, 460CM

Interior Lights

513707	Light w/switch, Pancake light
513961	Light, Shower, LED
513927	Sconce, Light, Lounge
513928	Sconce, Light, Bath
513929	Lamp, Nightstand, LED
513930	Reading Light, Overhead lockers, Bedroom, Lounge
513942	Puck Lights, Galley
513136	Spotlight w/frosted lens
513972	Edison Bulb, LED
513960	Track Light, Medicine cabinet, Luna light, 59"
513297-19	Light, Locker, LED, Kit

ELECTRICAL, 12 VOLT

Taillight Assembly



968188-02
968188-01

Taillight assembly, RS
Taillight assembly, CS

- | | |
|--------------|---------------------------------------|
| 1. 115758-01 | Casting, Taillight, CS |
| 2. 115758-02 | Casting, Taillight, RS |
| 3. 512820 | Taillight, Backup |
| 4. 512821 | Taillight |
| 5. 320229 | Screw, Threading type F, #8-32 x 3/8" |
| 115629 | Bracket, Taillight, Outside |
| 115630 | Bracket, Taillight, Inside |
| 203797-01 | Gasket, Taillight, CS |
| 203797-02 | Gasket, Taillight, RS |

ELECTRICAL, 12 VOLT

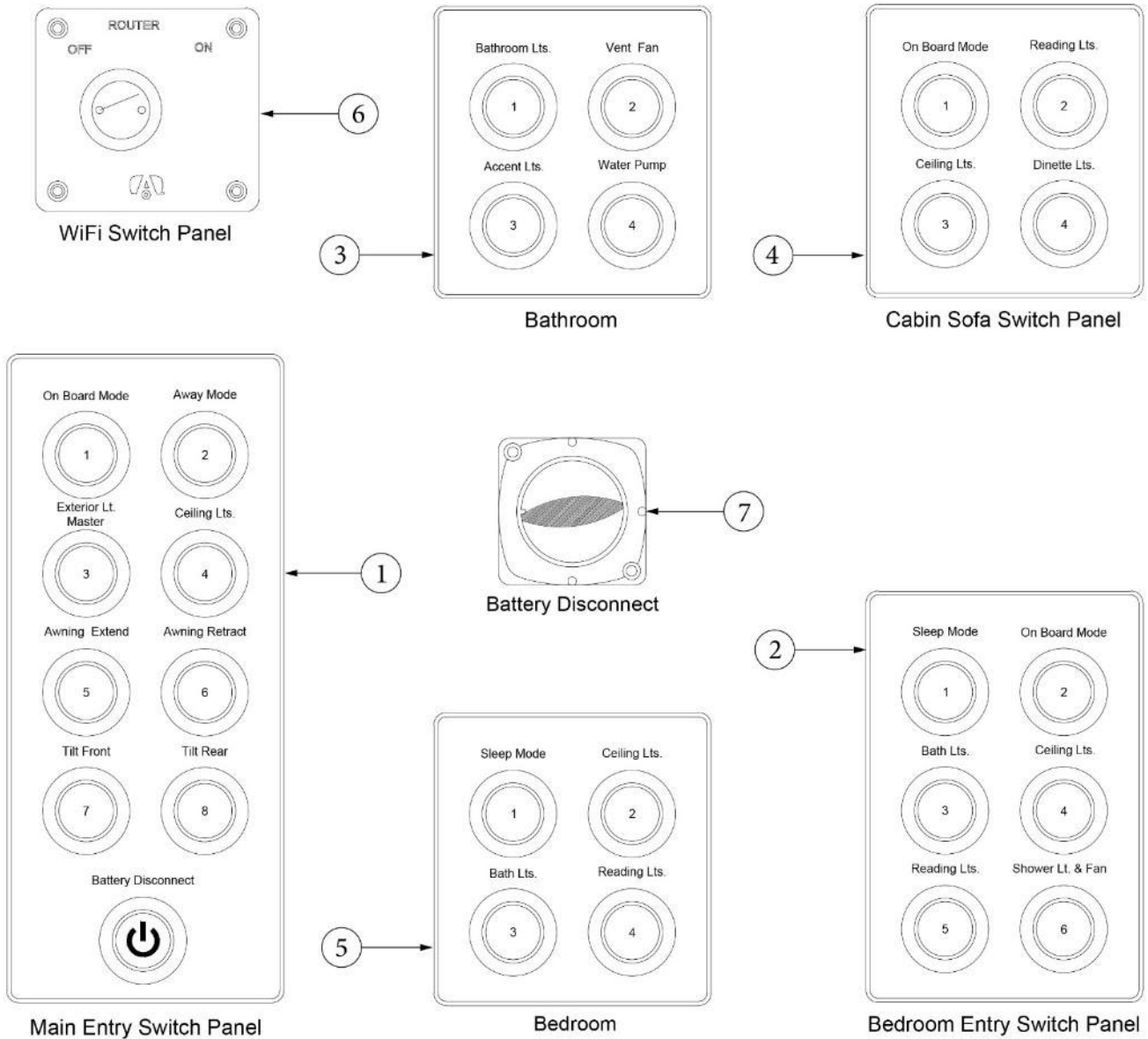
CZone System Components

513495-AU	Control 1
513495-D	CZone signal interface
513495-C	CZone contact 6
513495-AV	Touch 7 display
513495-AS	NEMA2K backbone, .5 meters
513495-J	Power isolator
513495-K	Power cable
513495-L	Single T connector
513495-M	Two-way T connector
513495-N	Four-way T connector
513495-O	Female terminator
513495-P	Male terminator
513495-Q	Female cap
513495-S	NEMA2K backbone, 2 meters
513495-T	NEMA2K backbone, 5 meters
513495-U	NEMA2K drop cable, 1 meter
513495-V	NEMA2K drop cable, 2 meters
513495-W	NEMA2K drop cable, 5 meters
513495-F	Masterbus bridge interface
513495-BE	Custom cable, 20', RVC-NMEA2K Molex, Male
513495-AO	Custom cable, 10', RVC-NMEA2K Mini
513495-AP	Custom connector, 120k resistor
513495-AB	Custom cable, 20', RVC-NMEA2K Molex, Female

CZone Configuration Files

513976	Code, CZone configuration
513977	Code, Favorites package

ELECTRICAL, 12 VOLT



CZone Switch Controls

513495-16
513495-17

CZone kit, Queen
CZone kit, Twin

- | | |
|--------------|---------------------------------|
| 1. 513495-AD | Switch panel, Entry, 9W |
| 2. 513495-BC | Switch panel, Bedroom entry, 6W |
| 3. 513495-BB | Switch panel, Bathroom, 4W |
| 4. 513495-BA | Switch panel, Cabin sofa, 4W |
| 5. 513495-BD | Switch panel, Bedroom, 4W |
| 6. 513495-AG | Switch panel, WiFi, 12V |
| 7. 513495-AQ | Battery disconnect |

ELECTRICAL, 12 VOLT

Smart RV System

514123	Router, Pepwave, Cat12 Transit Pro, (Nano Sims)
513637-01	Antenna, WiFi, GPS, Cellular
513637-13	Harness, 5M, 2 Wi-Fi, 1 GPS, 2 CE
513469	Key switch
513506	Disconnect, Low voltage
116378-01	Box, WiFi router
116378-02	Bracket, WiFi router
116378-03	Cover, WiFi router
116220	Backer plate
383013	Gasket Kit, Rooftop

ENTERTAINMENT

Audio

513618	Radio, Fusion Apollo RA770
513618-02	Harness, Power and Speaker
513618-100	Side clip, Fusion Radio
513955	Speaker, Flush mount
513710-01	Tuner, Sirius XM
513710-02	Antenna, Sirius XM
513654	Powered subwoofer, 6.5"
513234	USB input cable

Video

513594-03	Antenna-TV, King - White-Omni Pro Digital
383013	Gasket Kit, Rooftop
115634-1	Bracket, Antenna mount
513789	Adapter, Coaxial F-style
514287	Wall Plate Power Supply, No Receptacle, Winegard
513302	Wall plate w/HDMI & coax connections
512501	Splitter, HDMI pass through
512499-01	Cable, Mini coax, 64"
513700-02	Wall plate, Passive jack W/F CO
512366-03	Cable, HDMI, Male to Male, 3'
514124	Wall Plate, Bring your own device
513701-01	HDMI/Cat6 Splitter

ENTERTAINMENT

TV, Queen Bedroom, TV, 24"

690812	Smart TV, Connexx, 12V, 24"
512457	Articulating Arm
512499	Mini coax cable, 48"
512499-01	Mini coax cable, 64"
381136	Spacer bumpers, TV bracket
340300	Clip, Cable holder
382184	Sleeve, Flexo braided split

TV, Twin Bedroom, TV, 24"

690812	Smart TV, Connexx, 12V, 24"
512457	Articulating Arm
511314	Universal bushing, 1" ID, Black
512499	Cable, Mini coax, 48"
340300	Clip, Cable holder
382184	Sleeve, Flexo braided split

TV, Bath, 27"

690813	Smart TV, Connexx, 12V, 27"
512526-01	Articulating arm, LED TV
512997	Pass through, Wall plate
512499	Cable, Mini coax, 48"
512499-01	Mini coax cable, 64"
382184	Sleeve, .75", Flexo braided split

FLOOR COVERINGS

Floor Coverings

704892	Flooring, Vinyl, Bowen silver
203594-02	Trim, Floor, Ash Grey
360409	3M, Dent filler compound
360404	Adhesive, Weather seal hybrid
998263-04	Doormat, Airstream, Always Home
203727	Foil, Single bubble flex

Carpet

701538-01	Carpet, Econolier w/PSA backing
-----------	---------------------------------

FURNITURE, INTERIOR DOORS AND MIRRORS

Doors, Roof Lockers

802575-011007	Door, Roof locker, 14.75 x 29.25
802575-021007	Door, Roof locker, 13.75 x 29.25

Door, Foldette

704898	Divider curtain, 54"
381890-02	Track, Straight foldette

Mirrors

371482	Mirror, Medicine cabinet, 20"
372320	Mirror, Wardrobe, 9 x 68.94"

FURNITURE, DRAWER BOXES AND SLIDES

Drawer Boxes

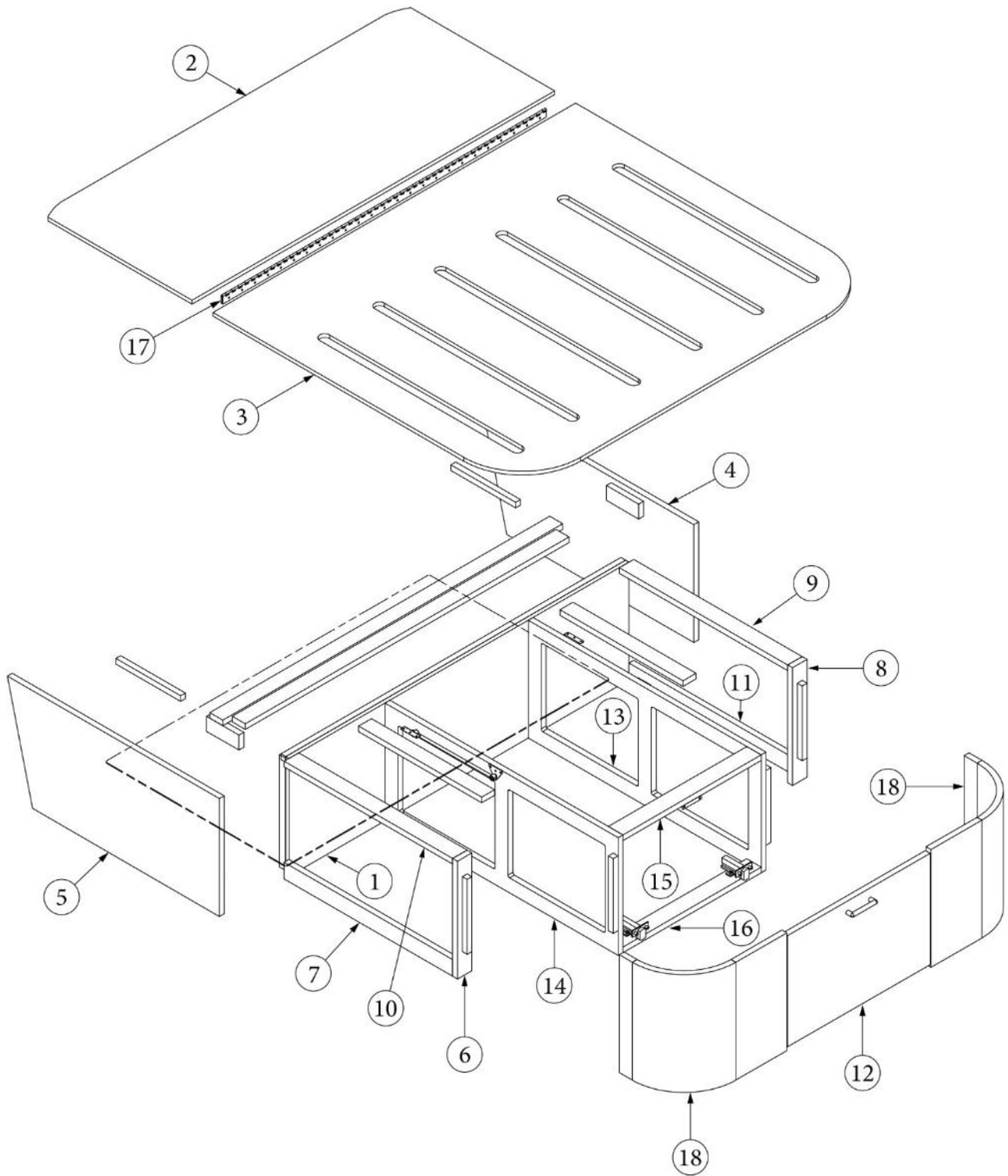
969704-07	Drawer box, 2.75 x 15 x 12.13
969705-05	Drawer box, 4 x 15 x 12.13
969706-07	Drawer box, 5 x 15 x 13.5
969706-16	Drawer box, 5 x 22 x 23.81

Drawer Slides

382807-07	Drawer slide, pair, 15"
381400-03	Drawer slide, pair, 16"
382807-09	Drawer slide, pair, 21"
382807-01	Clip, Left front fixing
382807-02	Clip, Right front fixing

FURNITURE, BEDROOM

Bed, Queen



Parts Listed on Next Page

FURNITURE, BEDROOM

Bed, Queen

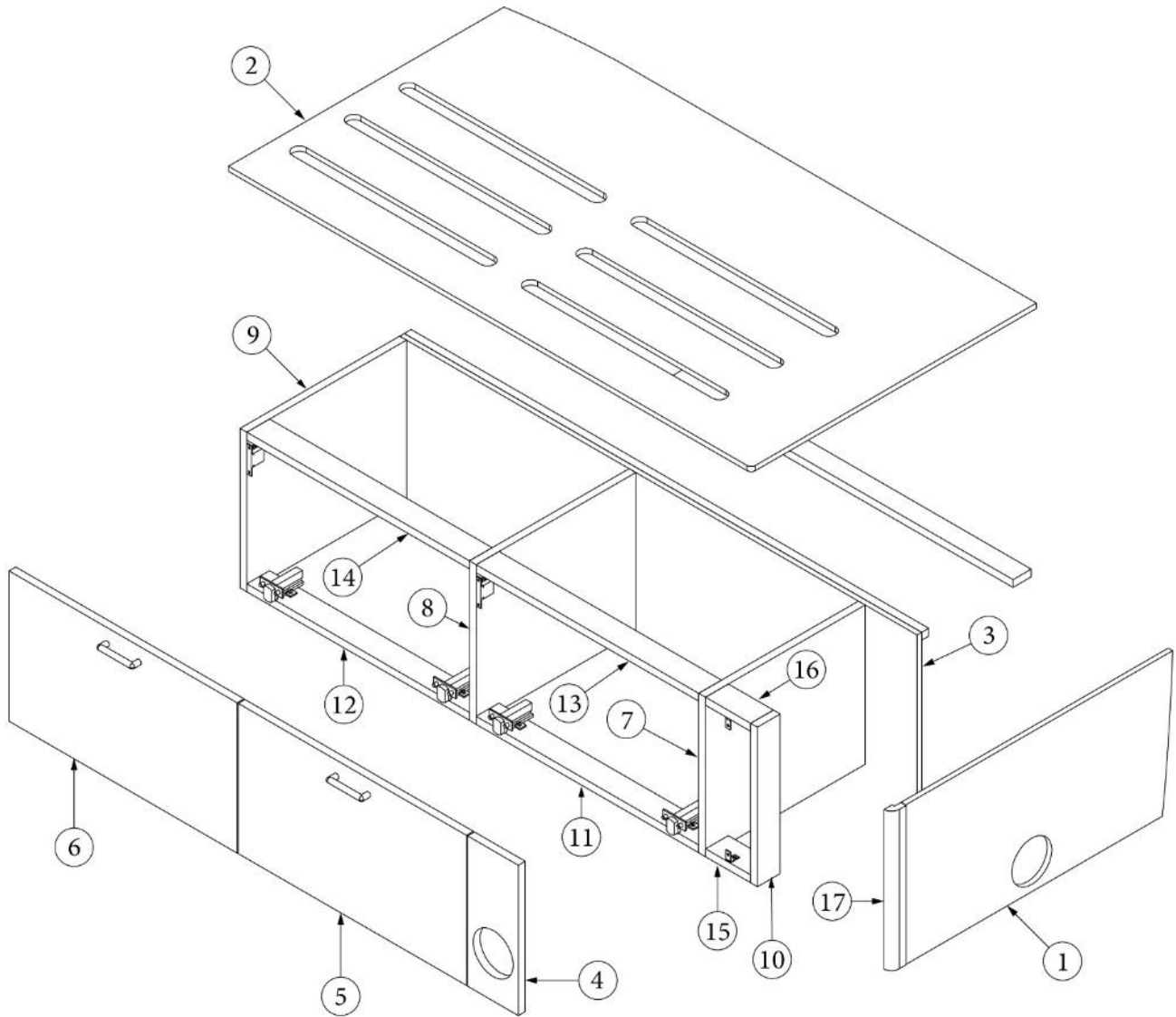
969634-01

Assy, Bed Base, Queen

- | | |
|---|---|
| <ol style="list-style-type: none"> 1. 969634&000112CC 2. 969634&000212CC 3. 969634&000312CC 4. 969634&000418BC 5. 969634&000518BC 6. 969634&000618BC 7. 969634&000718BC 8. 969634&000818BC 9. 969634&000918BC 10. 969634&001018BC 11. 969634&001118BC 12. 969634&001218BC 13. 969634&001318CC 14. 969634&001418CC 15. 969634&001518CC 16. 969634&001618CC 17. 382518 18. 969633 802280 704487-01 704487-02 704895 704497 386572-02 203445 382786 381228-02 381607-11 381607-12 986715 114812 998263-08 998263-09 | <p>Pre laminate, .5 x 52.5 x 15.75"</p> <p>Pre laminate, .5 x 23.25 x 56"</p> <p>Pre laminate, .5 x 42.75 x 56"</p> <p>Pre laminate, .75 x 32.75 x 15.75"</p> <p>Pre laminate, .75 x 32.75 x 15.75"</p> <p>Pre laminate, .75 x 2.25 x 15.75"</p> <p>Pre laminate, .75 x 26 x 2.25"</p> <p>Pre laminate, .75 x 2.25 x 15.75"</p> <p>Pre laminate, .75 x 26 x 2.25"</p> <p>Pre laminate, .75 x 26 x 2.25"</p> <p>Pre laminate, .75 x 22 x 14.88"</p> <p>Pre laminate, .75 x 36 x 15.75"</p> <p>Pre laminate, .75 x 36 x 15.75"</p> <p>Pre laminate, .75 x 21.38 x 2.25"</p> <p>Pre laminate, .75 x 21.38 x 2.25"</p> <p>Piano Hinge, 3" Open, 72"</p> <p>Sub Assy, Bed corner</p> <p>Headboard, Ply-bendable</p> <p>Foam, Headboard, 17 x 44"</p> <p>Foam, Headboard, 17 x 58"</p> <p>Fabric, Headboard</p> <p>Mattress</p> <p>Edgebanding, Planked Urban Oak, 15/16"</p> <p>T-Trim, 9/16"</p> <p>Pull, Bed base</p> <p>Catch, Grabber door, (5lb Pull)</p> <p>Hinge, Self-close</p> <p>Baseplate, Hinge</p> <p>Gas spring</p> <p>Aluminum angle, 1 x 1 x 15"</p> <p>Canvas Bin, 12 x 12 x 8"</p> <p>Canvas Bin, 30 x 20 x 5.5"</p> |
|---|---|

FURNITURE, BEDROOM

Bed, Twin, Roadside



Parts Listed on Next Page

FURNITURE, BEDROOM

Bed, Twin, Roadside

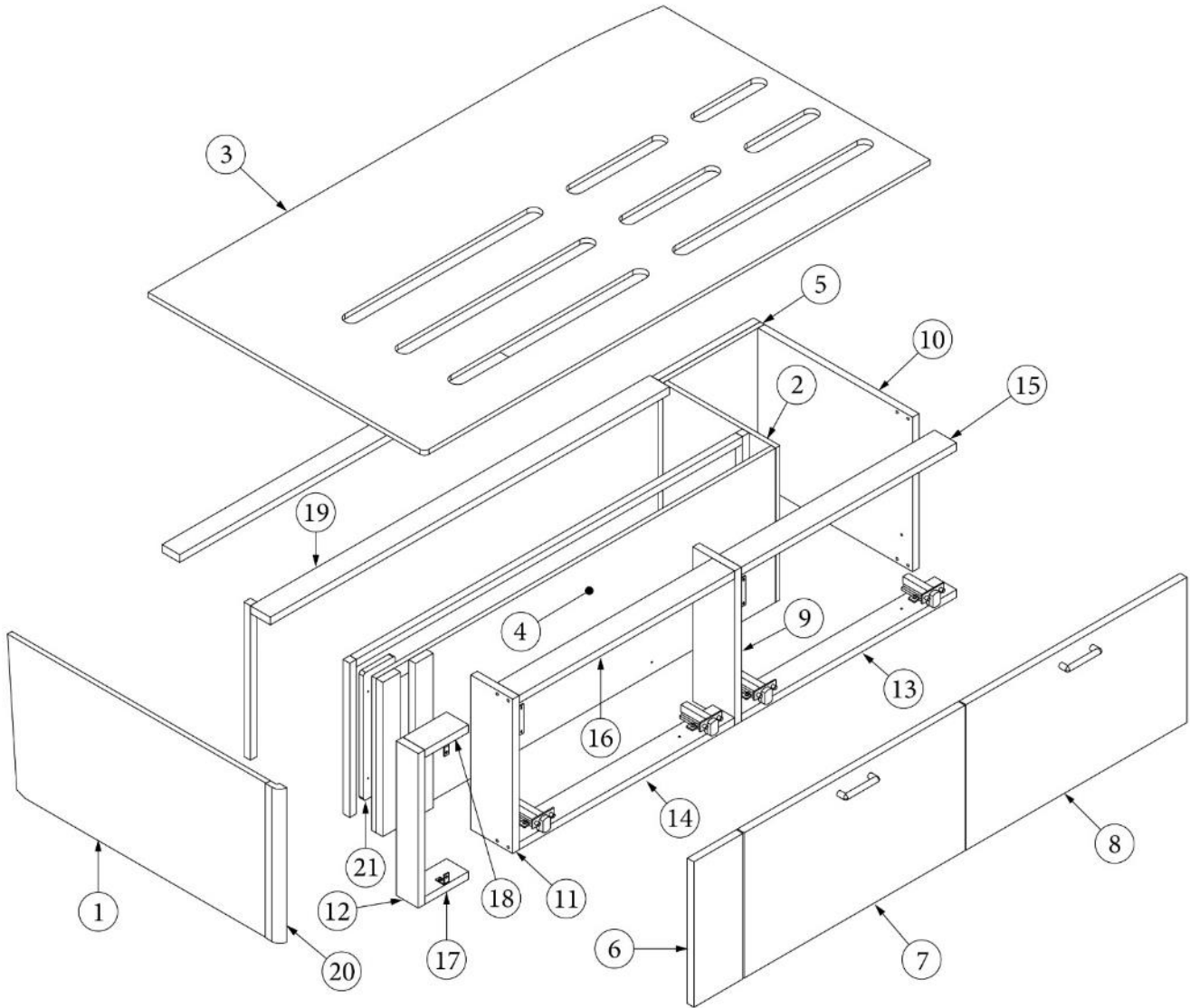
969666-01

Assy, Twin Bed, RS

1. 969666&000112BC	Pre laminate, .5 x 29.25 x 15.13"
2. 969666&000212CC	Pre laminate, .5 x 57.25 x 31.25"
3. 969666&000312CC	Pre laminate, .5 x 56.69 x 15.13"
4. 969666&000418BC	Pre laminate, .75 x 5.56 x 14.25"
5. 969666&000518BC	Pre laminate, .75 x 25 x 14.25"
6. 969666&000618BC	Pre laminate, .75 x 25 x 14.25"
7. 969666&000718CC	Pre laminate, .75 x 17.5 x 15.13"
8. 969666&000818CC	Pre laminate, .75 x 17.5 x 15.13"
9. 969666&000918CC	Pre laminate, .75 x 17.5 x 15.13"
10. 969666&001018CC	Pre laminate, .75 x 2.5 x 15.13"
11. 969666&001118CC	Pre laminate, .75 x 24.38 x 2.5"
12. 969666&001218CC	Pre laminate, .75 x 24.38 x 2.5"
13. 969666&001318CC	Pre laminate, .75 x 24.38 x 2.5"
14. 969666&001418CC	Pre laminate, .75 x 24.38 x 2.5"
15. 969666&001518CC	Pre laminate, .75 x 4.94 x 2.5"
16. 969666&001618CC	Pre laminate, .75 x 4.94 x 2.5"
17. 801706-1008	Corner Trim, Radius, Hardwood, 15.13"
967857&000112BC	Pre laminate, 6 x 11.5, Closeout, Twin
967857&000212BC	Pre laminate, 6 x 20.18, Closeout, Twin
802280	Ply-bendable, Headboard
704487-01	Foam, Headboard, 17 x 44"
704487-02	Foam, Headboard, 17 x 58"
704895	Fabric, Headboard
704498-02	Mattress, RS
386572-01	Edgebanding, Planked Urban Oak, 5/8"
386572-02	Edgebanding, Planked Urban Oak, 15/16"
382786	Pull, Bed base
381228-02	Catch, Grabber door, (5lb Pull)
381607-11	Hinge, Self-close
381607-12	Baseplate, Hinge
998263-08	Canvas Bin, 12 x 12 x 8"
380041	Bracket, 90-degree, 1 x 1"

FURNITURE, BEDROOM

Bed, Twin, Curbside



Parts Listed on Next Page

FURNITURE, BEDROOM

Bed, Twin, Curbside

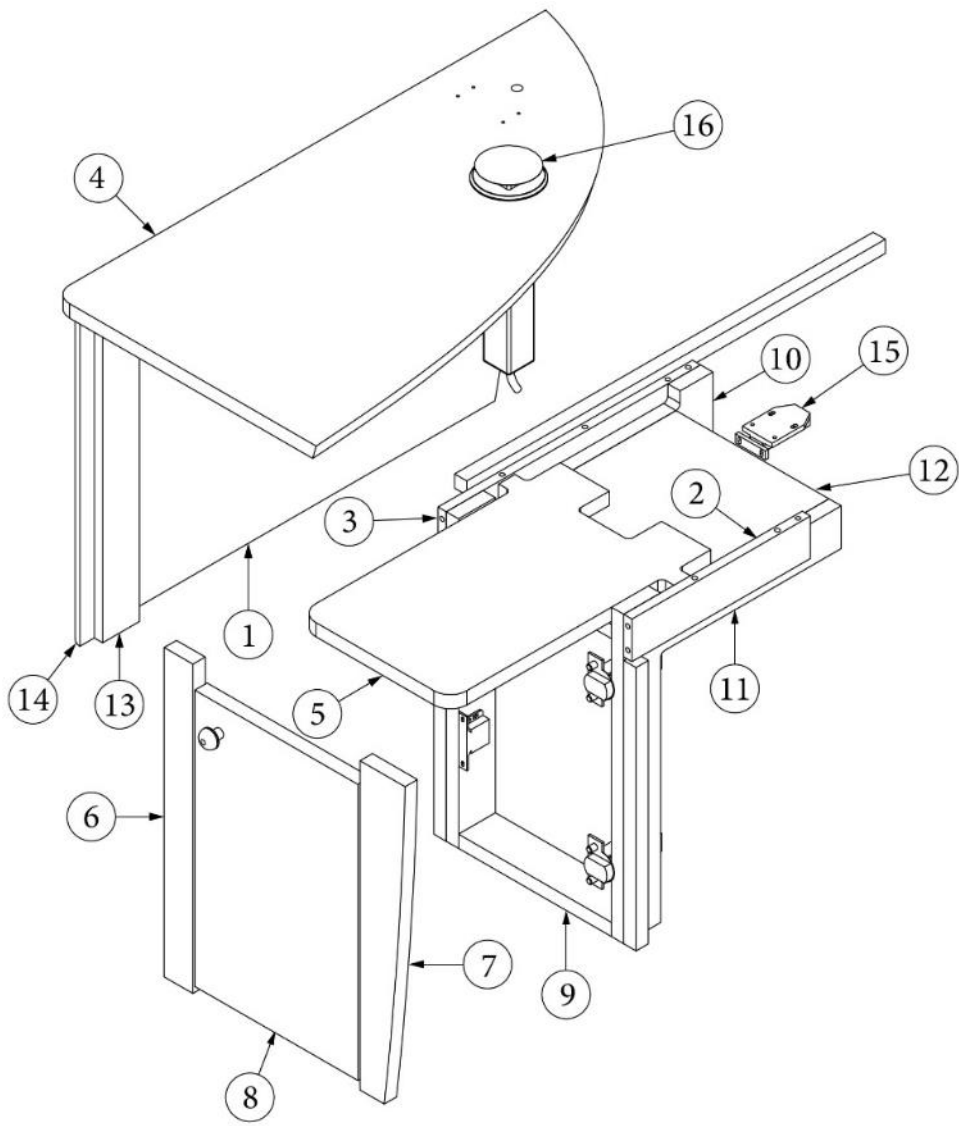
969667-01

Assy, Twin Bed, CS

1. 969667&000112BC	Pre laminate, .5 x 29.25 x 15.13"
2. 969667&000212CC	Pre laminate, .5 x 12.75 x 15.13"
3. 969667&000312CC	Pre laminate, .5 x 52.75 x 31.25"
4. 969667&000412CC	Pre laminate, .5 x 45.19 x 15.13"
5. 969667&000512CC	Pre laminate, .5 x 11.5 x 15.13"
6. 969667&000618BC	Pre laminate, .75 x 5.56 x 14.25"
7. 969667&000718BC	Pre laminate, .75 x 25 x 14.25"
8. 969667&000818BC	Pre laminate, .75 x 25 x 14.25"
9. 969667&000918CC	Pre laminate, .75 x 4.75 x 15.13"
10. 969667&001018CC	Pre laminate, .75 x 17.5 x 15.13"
11. 969667&001118CC	Pre laminate, .75 x 4.75 x 15.13"
12. 969667&001218CC	Pre laminate, .75 x 2.5 x 15.13"
13. 969667&001318CC	Pre laminate, .75 x 24.38 x 2.5"
14. 969667&001418CC	Pre laminate, .75 x 24.38 x 2.5"
15. 969667&001518CC	Pre laminate, .75 x 24.38 x 2.5"
16. 969667&001618CC	Pre laminate, .75 x 24.38 x 2.5"
17. 969667&001718CC	Pre laminate, .75 x 4.94 x 2.5"
18. 969667&001818CC	Pre laminate, .75 x 4.94 x 2.5"
19. 969667&001918CC	Pre laminate, .75 x 2.25 x 45.19"
20. 801706-1008	Corner Trim, Radius, Hardwood, 15.13"
802280	Ply-bendable, Headboard
704487-01	Foam, Headboard, 17 x 44"
704487-02	Foam, Headboard, 17 x 58"
704895	Fabric, Headboard
704498-01	Mattress, CS
365386-01	Edgebanding, .63"
386572-01	Edgebanding, Planked Urban Oak, 5/8"
386572-02	Edgebanding, Planked Urban Oak, 15/16"
382786	Pull, Bed base
381228-02	Catch, Grabber door, (5lb Pull)
381607-11	Hinge, Self-close
381607-12	Baseplate, Hinge
998263-08	Canvas Bin, 12 x 12 x 8"
380041	Bracket, 90-degree, 1 x 1"

FURNITURE, BEDROOM

Nightstand, Queen, Roadside



Parts Listed on Next Page

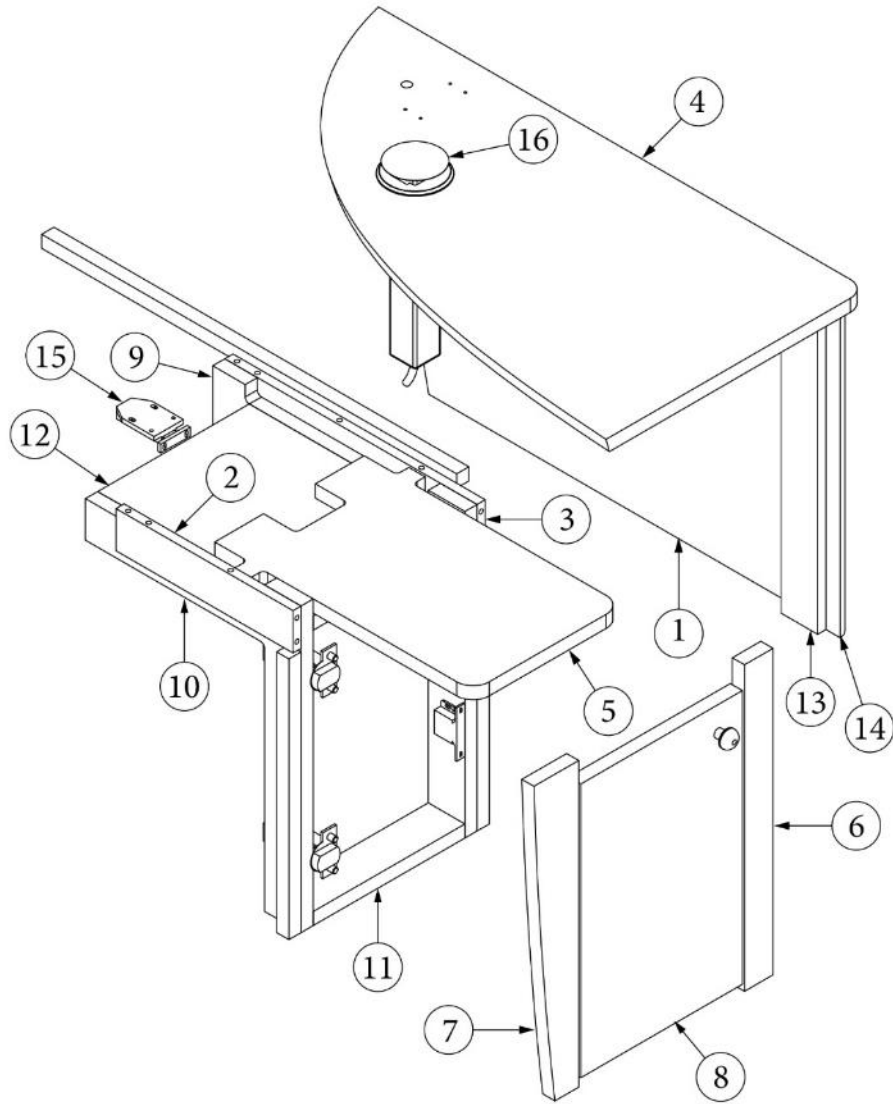
FURNITURE, BEDROOM

Nightstand, Queen, Roadside

969649-01	Assy, Nightstand, Roadside, RH
1. 969649&000112BC	Pre laminate, .5 x 27.66 x 17.38"
2. 969649&000212CC	Pre laminate, .5 x 10.88 x 2.25"
3. 969649&000312CC	Pre laminate, .5 x 15.5 x 2.25"
4. 969649&000418JC	Pre laminate, .75 x 16.01 x 30"
5. 969649&000518JC	Pre laminate, .75 x 10.69 x 15.88"
6. 969649&000618BC	Pre laminate, .75 x 1.75 x 17.38"
7. 969649&000718BC	Pre laminate, .75 x 2.75 x 17.38"
8. 969649&000818BC	Pre laminate, .75 x 9.94 x 15.63"
9. 969649&000918CC	Pre laminate, .75 x 9.31 x 2.25"
10. 969649&001018CC	Pre laminate, .75 x 15.5 x 17.38"
11. 969649&001118CC	Pre laminate, .75 x 13.25 x 17.38"
12. 969649&001218CC	Pre laminate, .75 x 9.31 x 13.25"
13. 969649&001318CC	Pre laminate, .75 x 2.25 x 17.38"
14. 801706-1008	Corner Trim, Radius, Hardwood, 15.13"
15. 382778	Touch Latch, Magnetic
16. 512986	Outlet, Pop-up
386572-01	Edgebanding, Planked Urban Oak, 5/8"
386572-02	Edgebanding, Planked Urban Oak, 15/16"
382787	Knob, w/Baseplate
381228-02	Catch, Grabber door, (5lb Pull)
381607-11	Hinge, Self-close
381607-12	Baseplate, Hinge
701538-01	Carpet, Econolier, w/PSA backing

FURNITURE, BEDROOM

Nightstand, Queen, Curbside



Parts Listed on Next Page

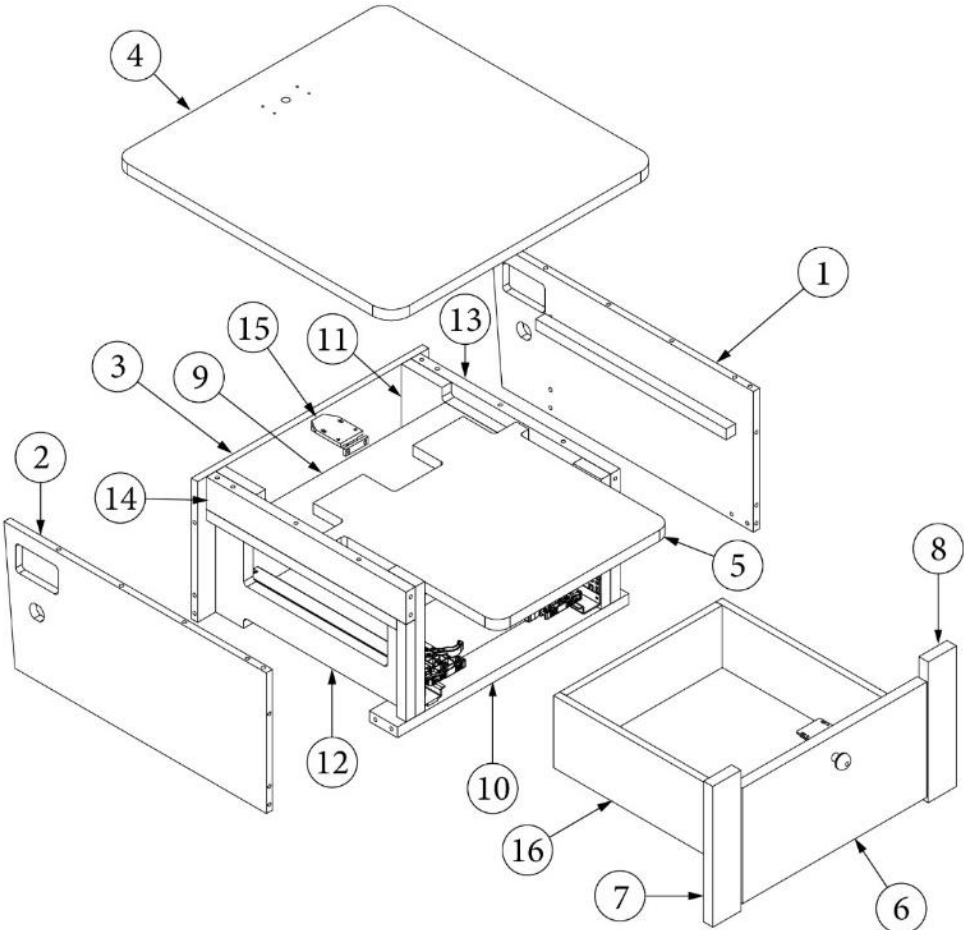
FURNITURE, BEDROOM

Nightstand, Queen, Curbside

969650-01	Assy, Nightstand, Curbside, LH
1. 969650&000112BC	Pre laminate, .5 x 27.66 x 17.38"
2. 969650&000212CC	Pre laminate, .5 x 10.88 x 2.25"
3. 969650&000312CC	Pre laminate, .5 x 15.50 x 2.25"
4. 969650&000418JC	Pre laminate, .75 x 16.01 x 30"
5. 969650&000518JC	Pre laminate, .75 x 10.69 x 15.88"
6. 969650&000618BC	Pre laminate, .75 x 1.75 x 17.38"
7. 969650&000718BC	Pre laminate, .75 x 2.75 x 17.38"
8. 969650&000818BC	Pre laminate, .75 x 9.94 x 15.63"
9. 969650&000918CC	Pre laminate, .75 x 15.5 x 17.38"
10. 969650&001018CC	Pre laminate, .75 x 13.25 x 17.38"
11. 969650&001118CC	Pre laminate, .75 x 9.31 x 2.25"
12. 969650&001218CC	Pre laminate, .75 x 9.31 x 13.25"
13. 969650&001318CC	Pre laminate, .75 x 2.25 x 17.38"
14. 801706-1008	Corner Trim, Radius, Hardwood, 17.38"
15. 382778	Touch Latch, Magnetic
16. 512986	Outlet, Pop-up
386572-02	Edgebanding, Planked Urban Oak, 15/16"
382787	Knob, w/Baseplate
381228-02	Catch, Grabber door, (5lb Pull)
381607-11	Hinge, Self-close
381607-12	Baseplate, Hinge
701538-01	Carpet, Econolier, w/PSA backing

FURNITURE, BEDROOM

Nightstand, Twin



Parts Listed on Next Page

FURNITURE, BEDROOM

Nightstand, Twin

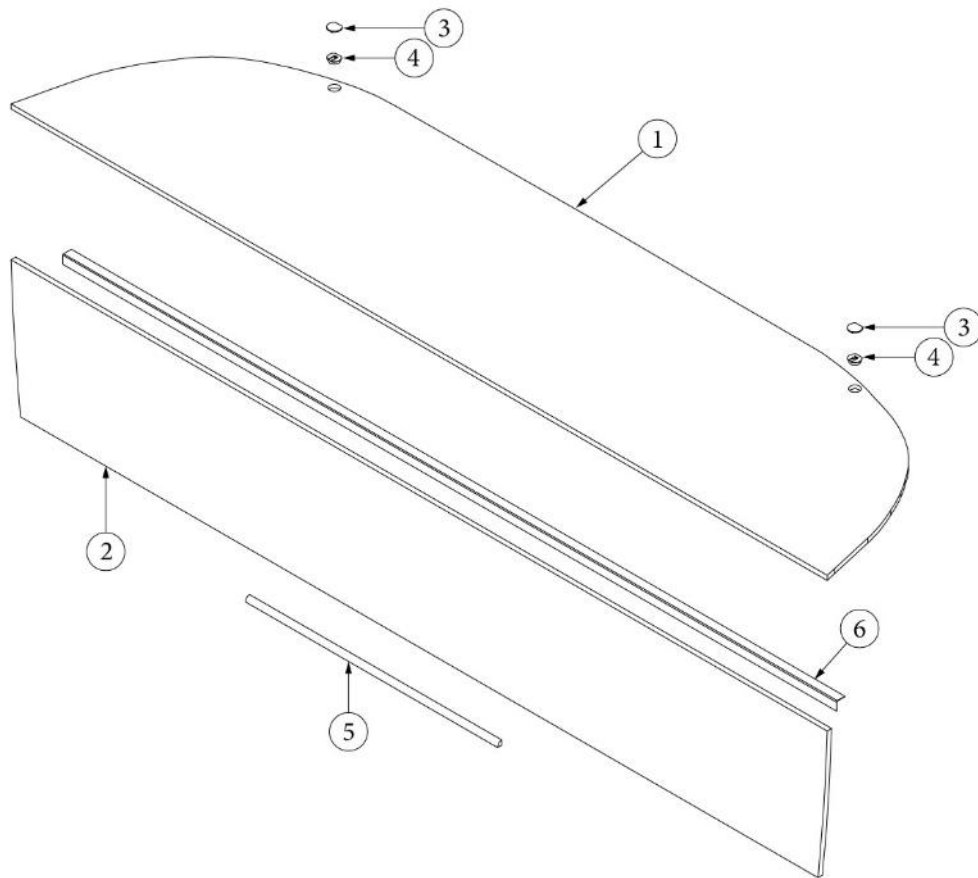
969664-01

Assy, Nightstand, Twin

- | | |
|---------------------|---|
| 1. 969664&000112BC | Pre laminate, .5 x 9.75 x 21" |
| 2. 969664&000212BC | Pre laminate, .5 x 9.75 x 21" |
| 3. 969664&000312CE | Pre laminate, .5 x 18.5 x 9.75" |
| 4. 969664&000418JC | Pre laminate, .75 x 22.13 x 21.5" |
| 5. 969664&000518JC | Pre laminate, .75 x 15.75 x 15.5" |
| 6. 969664&000618BC | Pre laminate, .75 x 8 x 14.75" |
| 7. 969664&000718BC | Pre laminate, .75 x 9.75 x 2.25" |
| 8. 969664&000818BC | Pre laminate, .75 x 9.75 x 2.25" |
| 9. 969664&000918CC | Pre laminate, .75 x 14.13 x 12.5" |
| 10. 969664&001018CC | Pre laminate, .75 x 2.25 x 18.5" |
| 11. 969664&001118CC | Pre laminate, .75 x 16 x 9.75" |
| 12. 969664&001218CC | Pre laminate, .75 x 16 x 9.75" |
| 13. 969664&001318CC | Pre laminate, .75 x 2.25 x 16" |
| 14. 969664&001418CC | Pre laminate, .75 x 2.25 x 16" |
| 15. 382778 | Touch Latch, Magnetic |
| 16. 969706-07 | Drawer box, 5 x 15 x 13.5" |
| 382807-07 | Drawer slide, Self-close, 15" |
| 382807-01 | Clip, Left front fixing |
| 382807-02 | Clip, Right front fixing |
| 386572-02 | Edgebanding, Planked Urban Oak, 15/16" |
| 386610-02 | Edgebanding, Planked Urban Oak, 2MM, 15/16" |
| 382787 | Knob, w/Baseplate |
| 381228-02 | Catch, Grabber door, (5lb Pull) |
| 701538-01 | Carpet, Econolier, w/PSA backing |

FURNITURE, BEDROOM

Rear Storage Box, Twin



969668-01

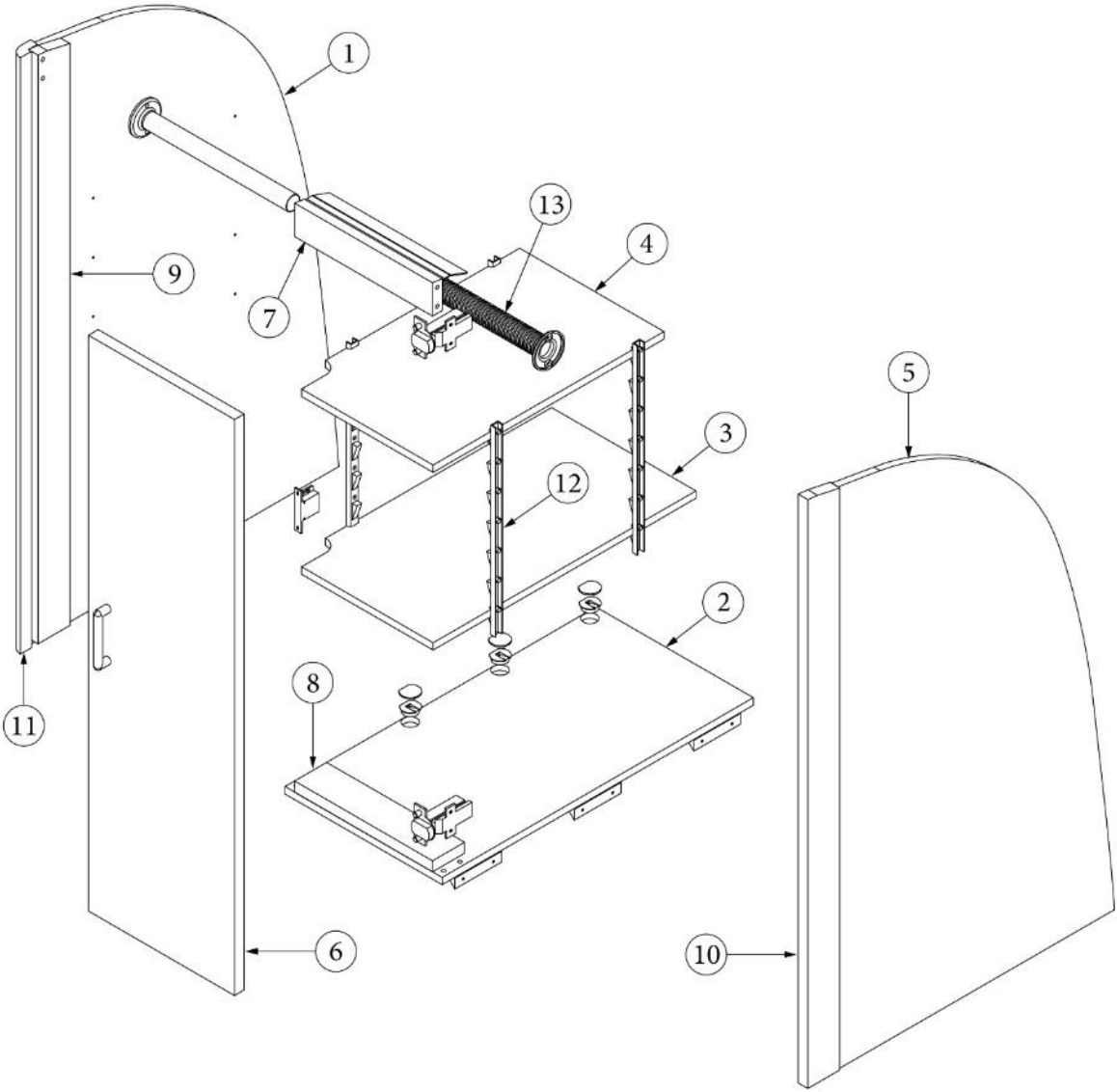
Assy, Rear Storage Box, Twin

- 1. 969668&000112BC
- 2. 969668&000212BC
- 3. 382057-04
- 4. 382057
- 5. 800638-1008
- 6. 114812
- 386572-01
- 701538

- Pre laminate, .5 x 22 x 93.88"
- Pre laminate, .5 x 15.13 x 93.88"
- Cover caps, Knockdown
- Knock down, 8mm
- Molding, 1/4" round
- Aluminum angle, 1 x 1 x 89"
- Edgebanding, Planked Urban Oak, 5/8"
- Carpet, Econolier, Velour black

FURNITURE, BEDROOM

Hanging Wardrobe, Roadside



Parts Listed on Next Page

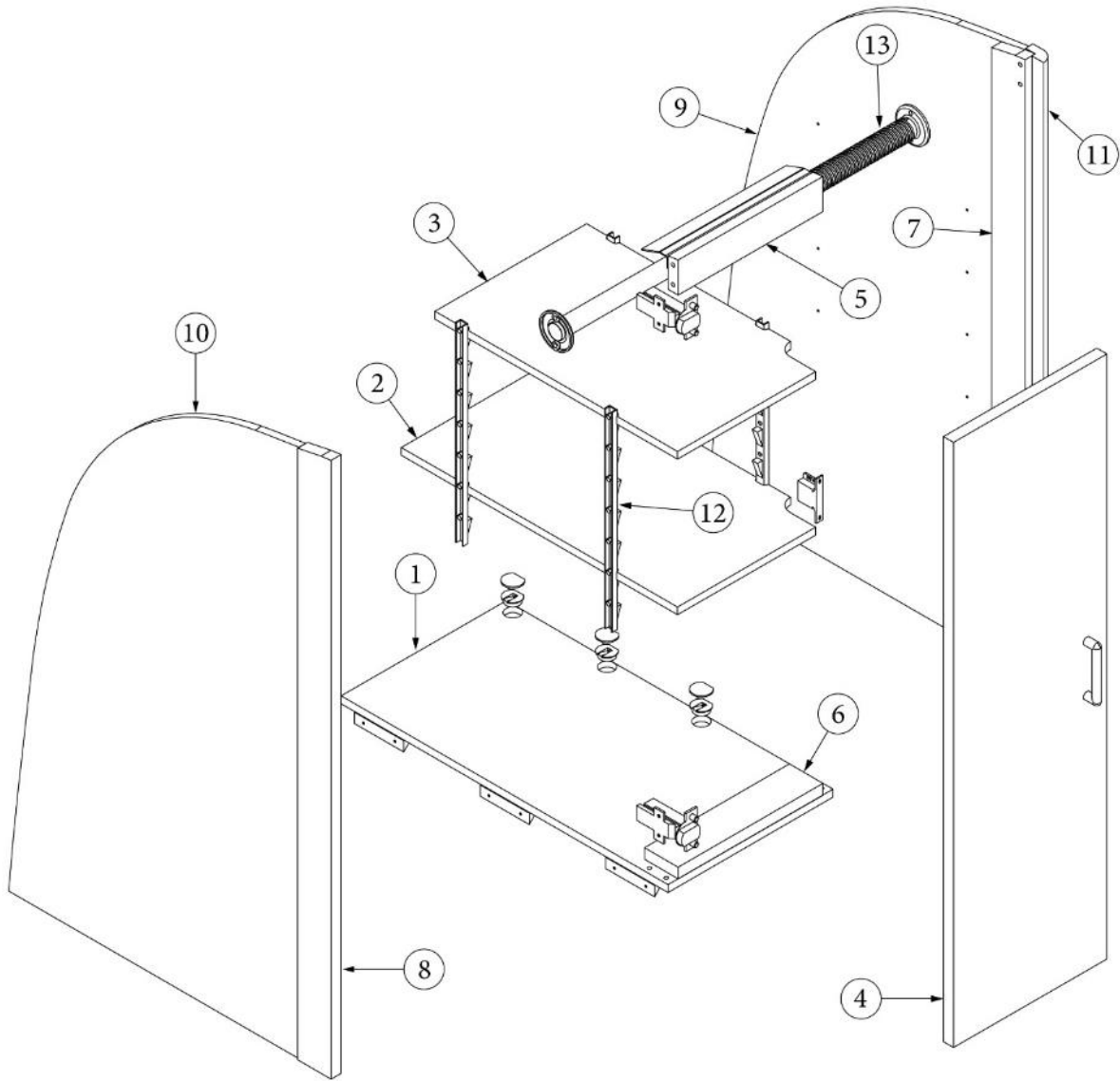
FURNITURE, BEDROOM

Hanging Wardrobe, Roadside

969698-01	Assy, Hanging Wardrobe
1. 969698&000112BC	Pre laminate, 23.45 x 40.04"
2. 969698&000212BC	Pre laminate, .5 x 12.25 x 24.25"
3. 969698&000312CC	Pre laminate, .5 x 11.25 x 20.50"
4. 969698&000412CC	Pre laminate, .5 x 11.25 x 18"
5. 969698&000512CC	Pre laminate, 21.54 x 39.29"
6. 969698&000618BC	Pre laminate, .75 x 11.38 x 38.88"
7. 969698&000718BC	Pre laminate, .75 x 2.25 x 10.75"
8. 969698&000818CC	Pre laminate, .75 x 10.75 x 2.5"
9. 969698&000918CC	Pre laminate, .75 x 2.5 x 39.75"
10. 969698&001018CC	Pre laminate, .75 x 2.5 x 39.75"
11. 801706-1008	Corner trim, 90-degree
12. 381527	Speedy strips, shelf
13. 200975-04	Conduit, Flexible black plastic
382057	Knockdown, 8mm
382057-04	Cap, Knockdown, White
382786	Pull
386572-01	Edgebanding, Planked Urban Oak, 5/8"
386572-02	Edgebanding, Planked Urban Oak, 15/16"
386279	Brace, Corner
381607-11	Hinge, Self-close
381607-12	Baseplate
115085	Aluminum angle
380045	Tubing, 11.36"
380046	Flange, Chrome

FURNITURE, BEDROOM

Hanging Wardrobe, Curbside



Parts Listed on Next Page

FURNITURE, BEDROOM

Hanging Wardrobe, Curbside

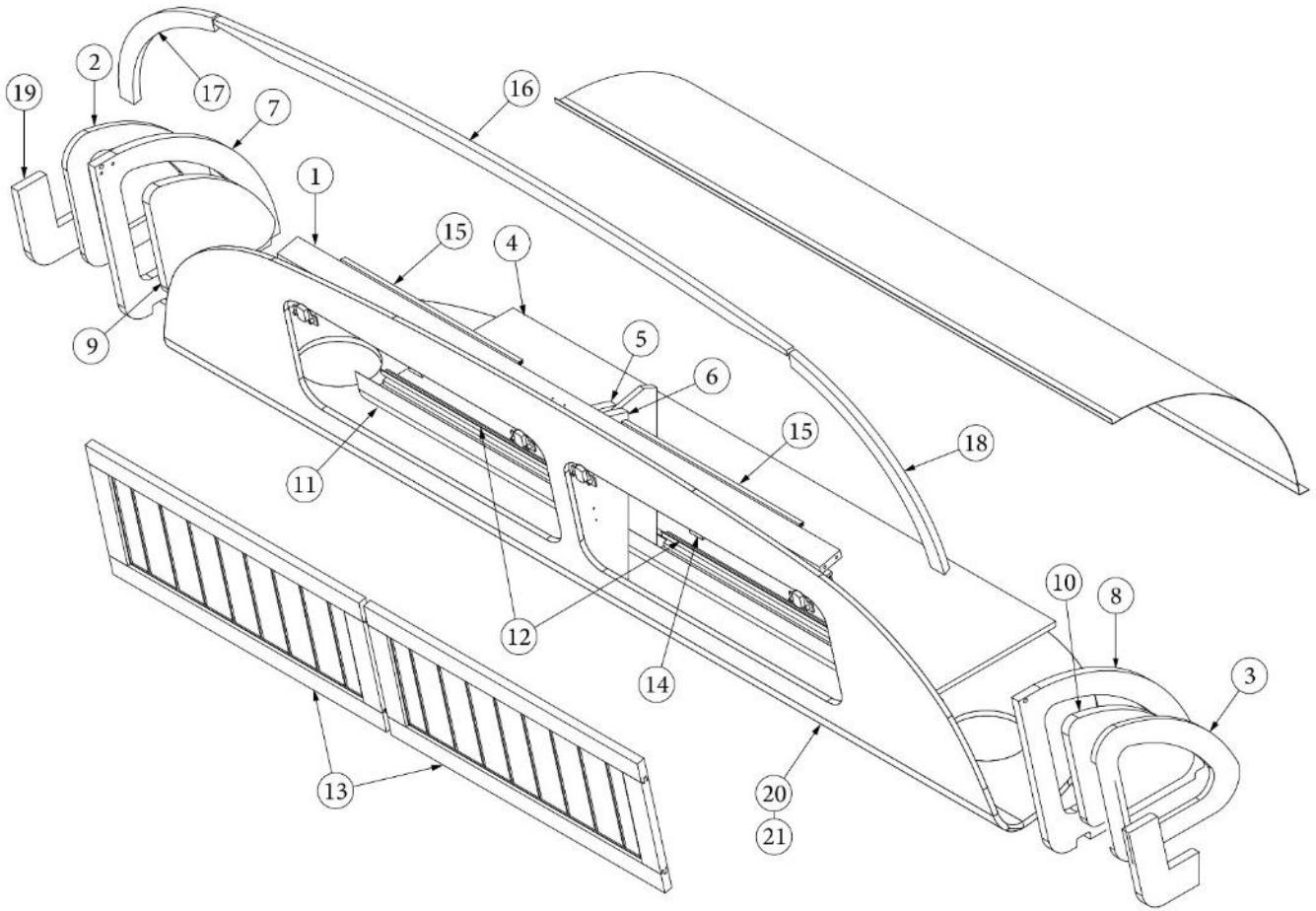
969663-01

Assy, Hanging Wardrobe

1. 969663&000212BC Pre laminate, .5 x 12.25 x 24.25"
2. 969663&000312CC Pre laminate, .5 x 11.25 x 20.5"
3. 969663&000412CC Pre laminate, .5 x 11.25 x 18"
4. 969663&000618BC Pre laminate, .75 x 11.38 x 38.88"
5. 969663&000718BC Pre laminate, .75 x 2.25 x 10.75"
6. 969663&000818CC Pre laminate, .75 x 10.75 x 2.5"
7. 969663&000918CC Pre laminate, .75 x 2.5 x 39.75"
8. 969663&001018CC Pre laminate, .75 x 2.5 x 39.75"
9. 969663&002812BC Pre laminate, 23.45 x 40.04"
10. 969663&002912CC Pre laminate, 21.54 x 39.29"
11. 801706-1008 Corner trim, 90-degree
12. 381527 Speedy strips, shelf
13. 200975-04 Conduit, Flexible black plastic
- 382057 Knockdown, 8mm
- 382057-04 Cap, Knockdown, White
- 382786 Pull
- 386572-01 Edgebanding, Planked Urban Oak, 5/8"
- 386572-02 Edgebanding, Planked Urban Oak, 15/16"
- 386279 Brace, Corner
- 381607-11 Hinge, Self-close
- 381607-12 Baseplate
- 115085 Aluminum angle
- 380045 Tubing, 11.36"
- 380046 Flange, Chrome

FURNITURE, BEDROOM

Roof Locker, Bedroom



Parts Listed on Next Page

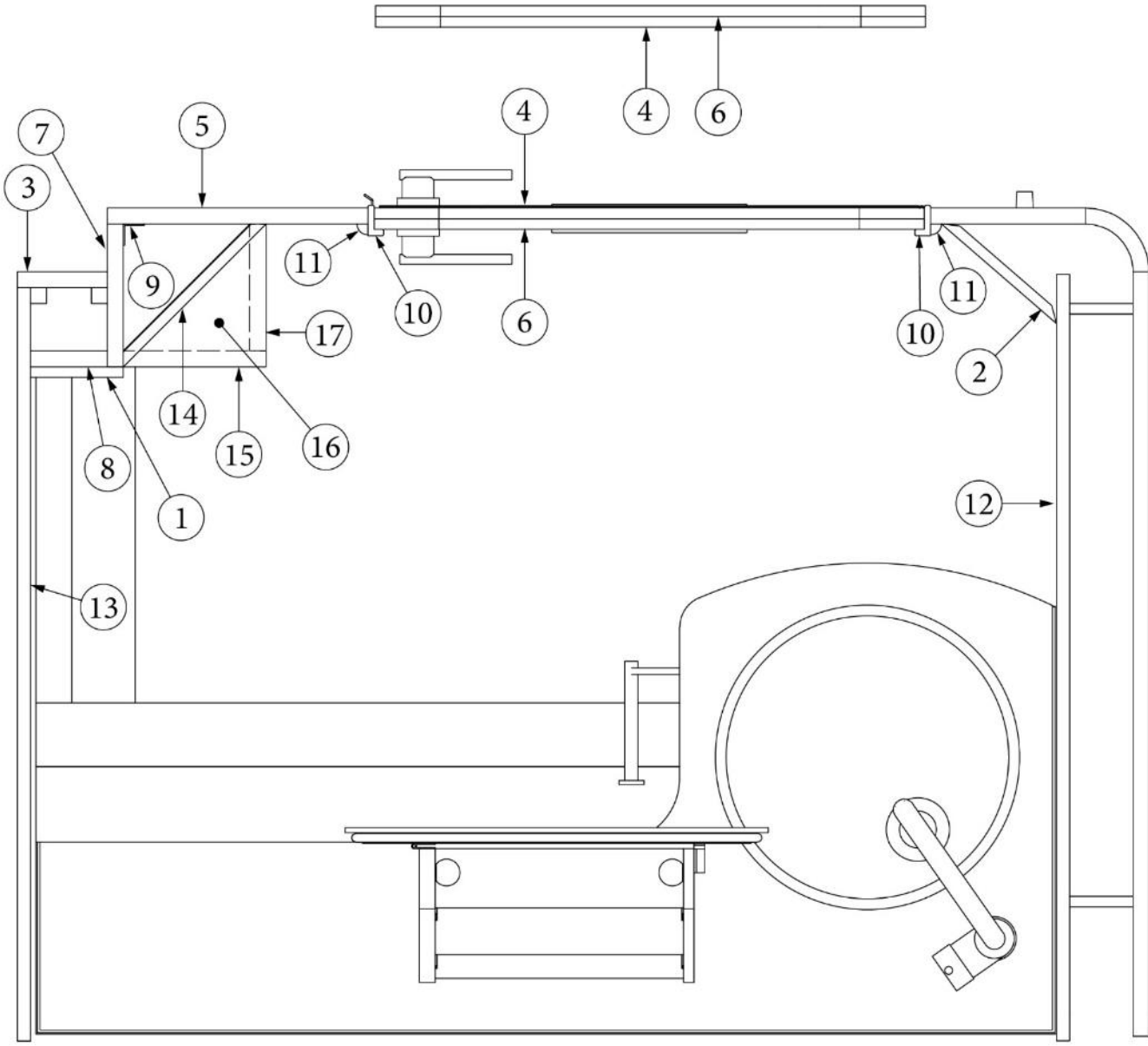
FURNITURE, BEDROOM

Roof Locker, Bedroom

969644-01	Assy, Liner Locker, w/Speakers, Queen
969644-02	Assy, Liner Locker, w/Speakers, Twin
1. 969644&000118CE	Pre laminate, .75 x 2.25 x 58"
2. 969644&000212CE	Pre laminate, .5 x 15.38 x 13.18"
3. 969644&000312CE	Pre laminate, .5 x 15.38 x 13.18"
4. 969644&000412CE	Pre laminate, .5 x 16.19 x 58"
5. 969644&000518CC	Pre laminate, .75 x 6.79 x 16.13"
6. 969644&000618CC	Pre laminate, .75 x 6.79 x 16.13"
7. 969644&000718CE	Pre laminate, .75 x 19.94 x 16.58"
8. 969644&000818CE	Pre laminate, .75 x 19.94 x 16.58"
9. 969644&000918CE	Pre laminate, .75 x 13.54 x 11.02"
10. 969644&001018CE	Pre laminate, .75 x 13.54 x 11.02"
11. 969644&001101CE	Pre laminate, 7.31 x 58"
12. 101401	Extrusion, Door latch housing, 25"
13. 802575-021007	Door, Locker
14. 513259	Magnet Switch
15. 513297-19	Luna Light, Kit, 3000K, 19"
16. 801596-01	Backer, Liner locker, Center
17. 801596-02	Backer, Liner locker, LH
18. 801596-03	Backer, Liner locker, RH
19. 801710	Support, Divider, Liner locker
20. 802577	Face, Liner locker, w/Speakers, Queen
21. 802578	Face, Liner locker, w/Speakers, Twin
22. 115264-11	Pan, Liner locker
365386-02	Edgebanding, White Linen .94"
203445	Trim, Black, .56"
201673	Reverse cove molding, White
116430	Shroud, Locker
381607-11	Hinge, Self-close
381607-12	Baseplate, Hinge
382242	Stay set, Lid

FURNITURE, LOUNGE
FURNITURE, LAVATORY

Bath Module



Parts Listed on Next Page

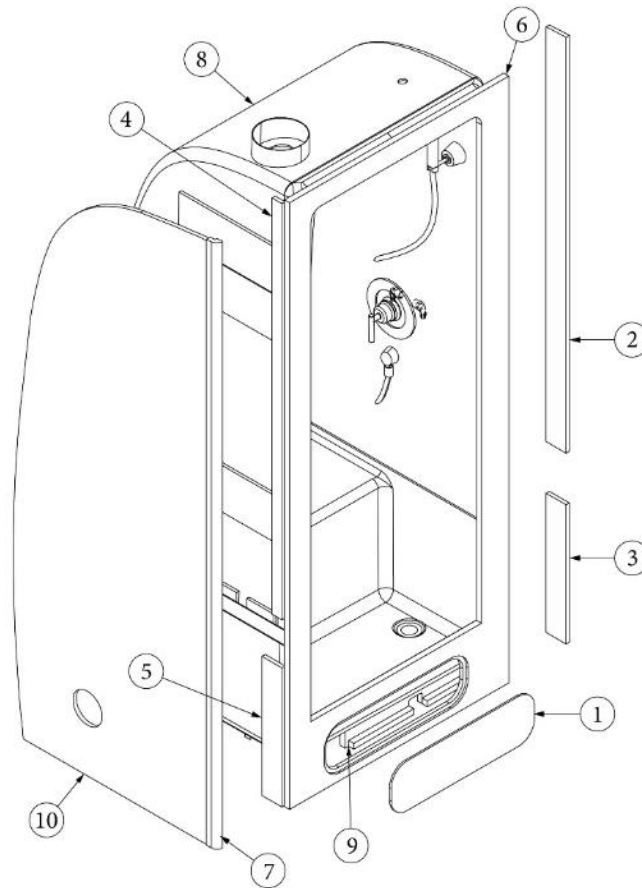
FURNITURE, LAVATORY

Bath Module

113687-01	Assy, Bath Module, Twin
113687-02	Assy, Bath Module, Queen
969659-01	Assy, Closeout, Black Tank Vent
1. 113687&000212HC	Pre laminate, .5 x 4.38 x 68.95"
2. 113687&000312HC	Pre laminate, .5 x 7.19 x 78.75"
3. 113687&000618BC	Pre laminate, .75 x 4.25 x 79"
4. 113687&000712BC	Pre laminate, .5 x 26 x 3.5"
5. 113687&000818BH	Pre laminate, .75 x 4.25 x 79"
6. 113687&000912BH	Pre laminate, .5 x 26 x 3.5"
7. 113687&001218BH	Pre laminate, .75 x 6.75 x 79"
8. 113687&001418CC	Pre laminate, .75 x 3.63 x 78.75"
9. 114812	Aluminum Angle, 1 x 1 x 72"
10. 113687&0044T07A	L Molding, Door jamb, 79"
11. 113687&0045T14A	L Molding, Door jamb, 79"
12. 113687&004712BG	Pre laminate, 36.2 x 78.63"
13. 113687&004812BG	Pre laminate, 35.58 x 78.88", Twin
113687&004912BG	Pre laminate, 35.58 x 78.88", Queen
14. 969659&000112HE	Pre laminate, .5 x 9.55 x 67.5"
15. 969659&000218HE	Pre laminate, .75 x 6.75 x 11.25"
16. 969659&000318HE	Pre laminate, .75 x 6.75 x 6.75"
17. 969659&000418HE	Pre laminate, .75 x 6 x 11.25"
365386-01	Edgebanding, Linen, .63"
365386-02	Edgebanding, Linen, .94"
386572-01	Edgebanding, Planked Urban Oak, 5/8"
386572-02	Edgebanding, Planked Urban Oak, 15/16"
203138-01	Extrusion, Plastic wall, White
203464-01	Trim, Oak, 3/4"
115374	Extrusion, Sliding door track
111921	Leaf spring, Lavy door install
381136	Rubber bumper
381581	Strap, Clear plastic, .75"
381609-02	Screw, Hafele, European #9
381610-01	Cover cap, Plastic, European white
381610-03	Cover cap, Plastic, European pine
700811	Button cap, Handy #36
700812	Button bottom, Handy #36
704897	Hinge, Reeded shower door, Adjustable

FURNITURE, LAVATORY

Shower Compartment



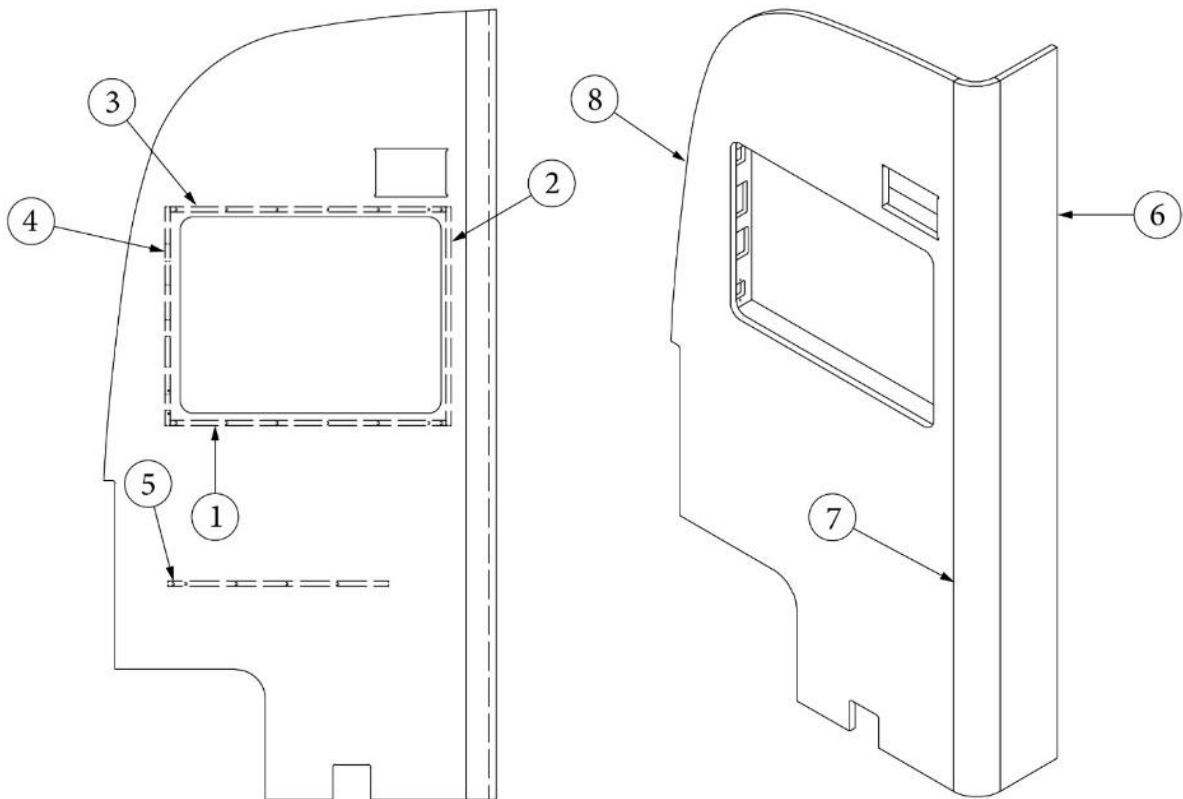
969648-01

Assy, Shower Compartment

- | | |
|---------------------|--|
| 1. 969648&000212BC | Pre laminate, .5 x 21.44 x 6.44" |
| 2. 969648&000312CC | Pre laminate, .5 x 3 x 53.81" |
| 3. 969648&000412CC | Pre laminate, .5 x 3 x 18" |
| 4. 969648&000512CC | Pre laminate, .5 x 1.5 x 53.85" |
| 5. 969648&000612CC | Pre laminate, .5 x 3 x 18" |
| 6. 969648&000718BC | Pre laminate, .75 x 32.75 x 78.5" |
| 7. 801706-1008 | Hardwood radius, 78.5" |
| 8. 203081-01 | Shower stall |
| 9. 969917 | Shower stand assembly |
| 10. 969648&001512BC | Pre laminate, 28.89 x 78.19" |
| 386572-02 | Edgebanding, Planked Urban Oak, 15/16" |
| 203138-04 | Extrusion, Plastic, oak wall, 1/2" |
| 602896 | Assy, Shower hardware, Matte Black |
| 690266-08 | Trim ring, Bath exhaust |
| 943882 | Shower valve assembly |

FURNITURE, LAVATORY

Bath, Forward Wall



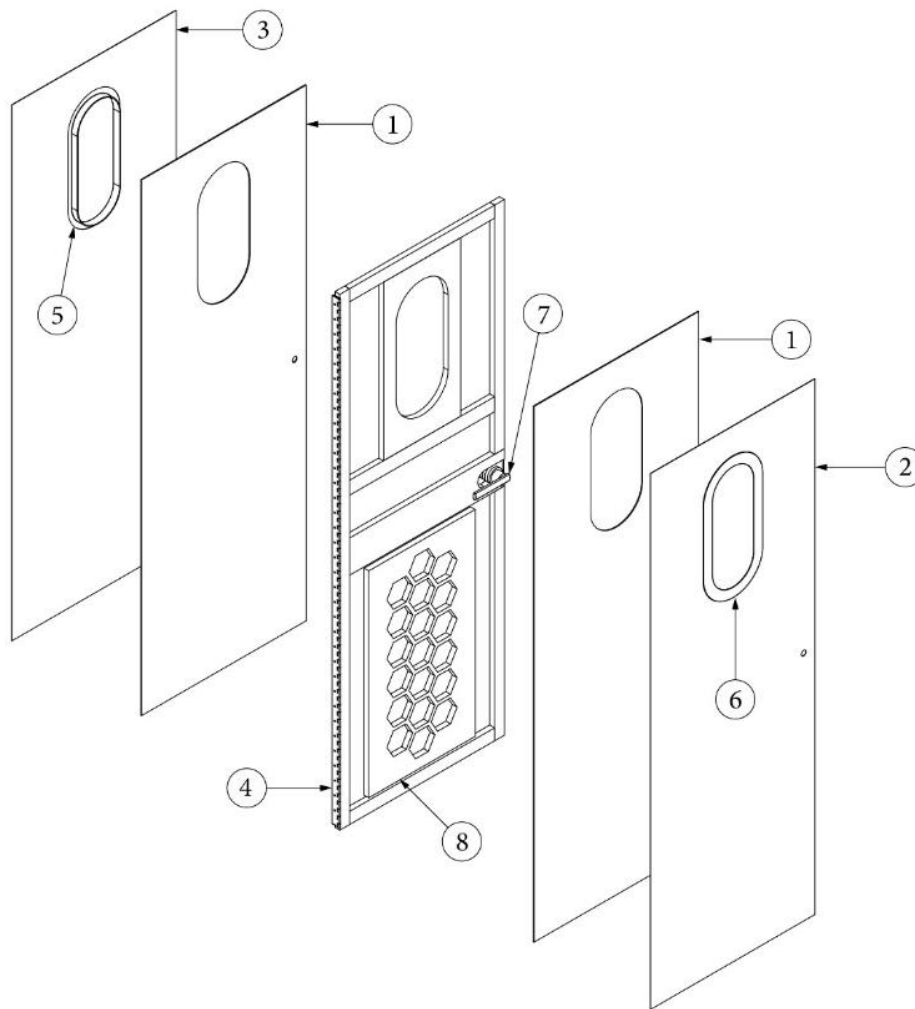
969660-01

Assy, Forward Bath Wall

- | | |
|--------------------|-----------------------------------|
| 1. 969660&010112BC | Pre laminate, 27.5 x 3" |
| 2. 969660&010212BC | Pre laminate, 3 x 21.75" |
| 3. 969660&010312BC | Pre laminate, 27.5 x 3" |
| 4. 969660&010412BC | Pre laminate, .5 x 3 x 21.75" |
| 5. 969660&010512CE | Pre laminate, 22 x 3" |
| 6. 969660&010718CE | Pre laminate, .75 x 7.32 x 78.63" |
| 7. 801345 | Radius, Plywood, .75 x 3 x 78.63" |
| 8. 969660&001118CE | Pre laminate, 36.33 x 78.5" |
| 801809 | Laminate, White liner, 4' x 8' |
| 801868-01 | Laminate Backer, 4' x 8' |
| 203942-03 | T-Molding, Black, 13/16" |

FURNITURE, LAVATORY

Bath Door



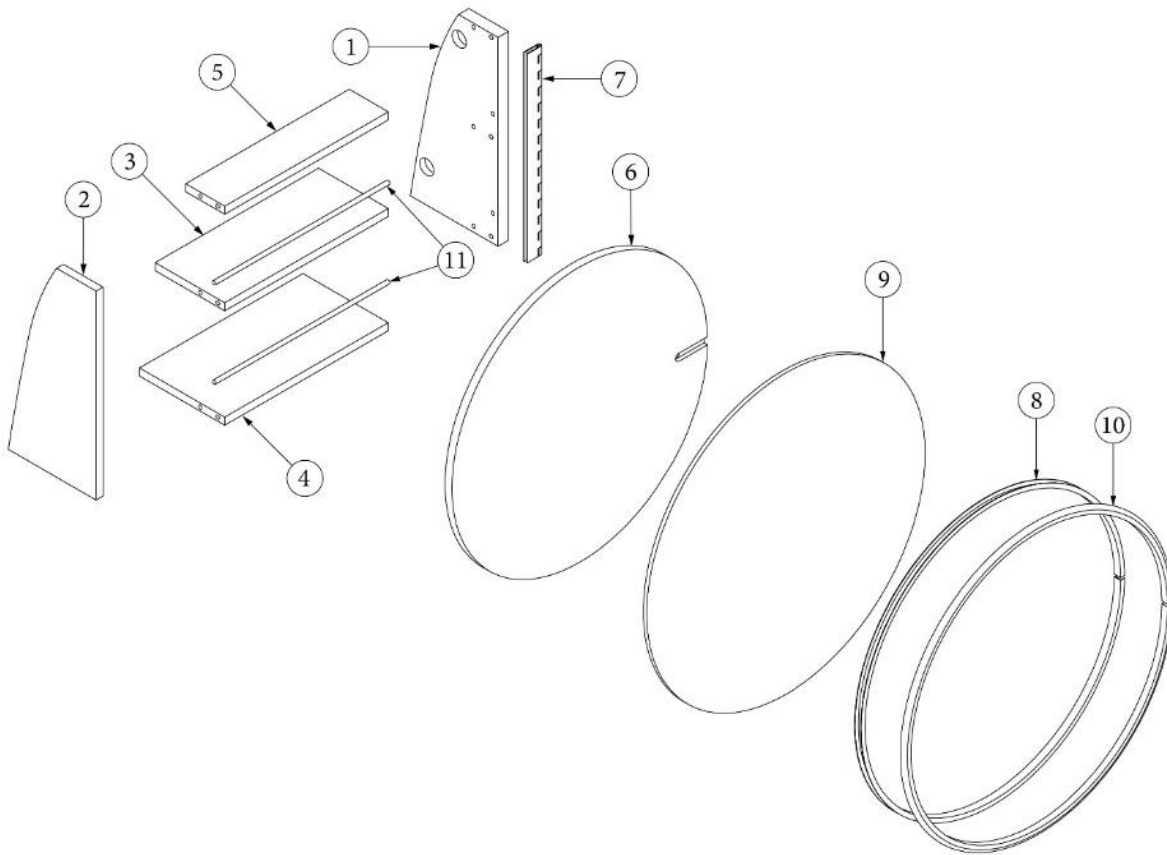
969658-01

Assy, Bath Door, w/Porthole

- | | |
|--------------------|--|
| 1. 801917-01 | Panel, MDF, 26 x 76" |
| 2. 969658&000201BE | Pre laminate, 4' x 8' |
| 3. 969658&000301HE | Pre laminate, 4' x 8' |
| 4. 380203-02 | Piano Hinge, 72" |
| 5. 203761-02 | Trim, Bath window, 18" |
| 6. 372321 | Window, Bath door |
| 7. 383008 | M-Lock Mechanism |
| 383008-01 | M-Lock Striker Plate |
| 383010 | Handle, Matte Black, Low Profile |
| 8. 801916-01 | Honeycomb, .73 x 16.5 x 30.5" |
| 386572-03 | Edgebanding, Planked Urban Oak, 1-1/4" |
| 116360-01 | Window frame, Stacked, 18" |

FURNITURE, LAVATORY

Medicine Cabinet



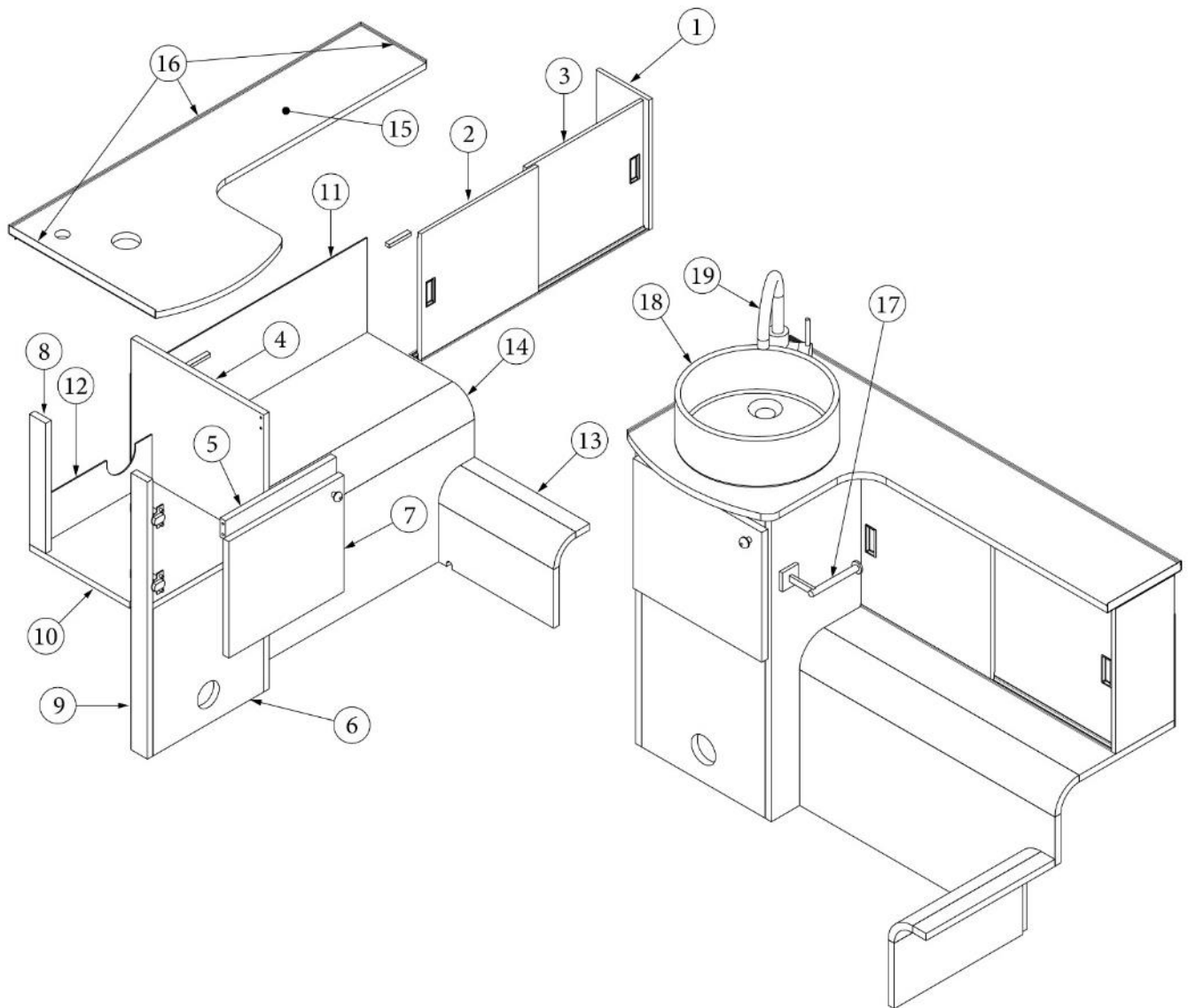
969691

Assy, Medicine Cabinet

- | | |
|--------------------|--|
| 1. 969691&000118BB | Pre laminate, 6.31 x 13" |
| 2. 969691&000212BB | Pre laminate, 6.31 x 13" |
| 3. 969691&000312BB | Pre laminate, .5 x 5 x 11.75" |
| 4. 969691&000412BB | Pre laminate, .5 x 6.13 x 11.75" |
| 5. 969691&000512BB | Pre laminate, .5 x 2.8 x 11.75" |
| 6. 969691&000612BC | Pre laminate, .5 x 18.5 x 18.5" |
| 7. 380203-02 | Hinge, Piano, 13" |
| 8. 513983 | Track, Luna Light, 72" |
| 9. 371482 | Mirror, 20" |
| 10. 513960 | Track Light, Medicine cabinet, Luna light, 59" |
| 11. 116372 | Aluminum rod, Matte black, 12.5" |
| 382057 | Knock down, 8mm |
| 382057-01 | Cap, Knock down |
| 381228 | Grabber catch, Black, 10lb |
| 386572-01 | Edgebanding, Planked Urban Oak, 5/8" |
| 386572-02 | Edgebanding, Planked Urban Oak, 15/16" |

FURNITURE, LAVATORY

Lavatory Cabinet



Parts Listed on Next Page

FURNITURE, LAVATORY

Lavatory Cabinet

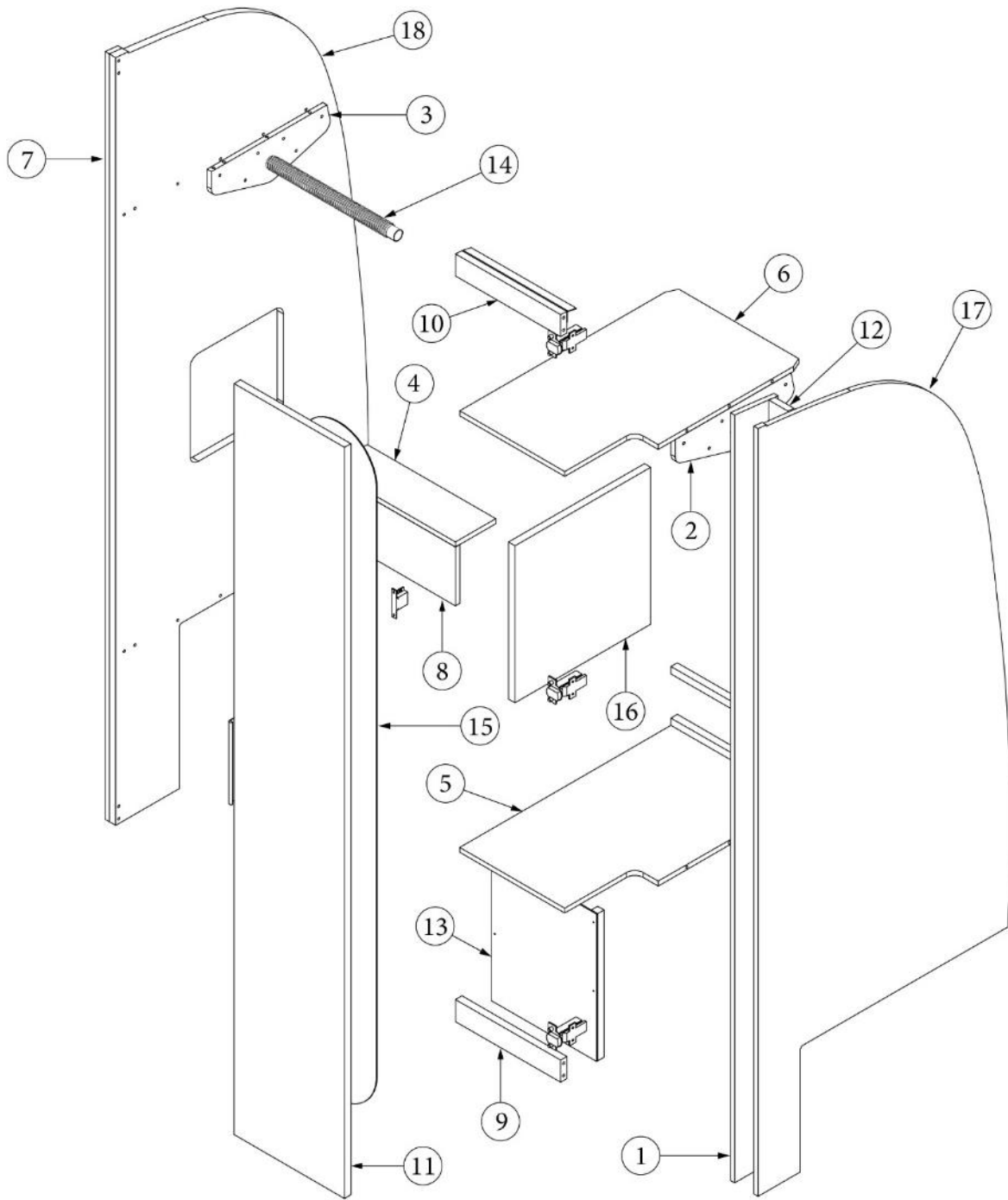
113683
969657-01

Install, Lavatory Fixtures
Assembly, Lavatory Cabinet

- | | |
|---------------------|---|
| 1. 969657&000112BC | Pre laminate, .5 x 7.25 x 15.5" |
| 2. 969657&000212BC | Pre laminate, .5 x 16.13 x 15.13" |
| 3. 969657&000312BC | Pre laminate, .5 x 16.13 x 15.13" |
| 4. 969657&000418BC | Pre laminate, .75 x 18.25 x 33" |
| 5. 969657&000518BC | Pre laminate, .75 x 15.25 x 2.25" |
| 6. 969657&000618BC | Pre laminate, .75 x 15.25 x 17.5" |
| 7. 969657&000718BC | Pre laminate, .75 x 15.88 x 13.88" |
| 8. 969657&000818CC | Pre laminate, .75 x 2.25 x 15.5" |
| 9. 969657&000918CC | Pre laminate, .75 x 2.25 x 33" |
| 10. 969657&001018CC | Pre laminate, .75 x 16 x 15.5" |
| 11. 969657&001103CE | Pre laminate, .13 x 32.5 x 12" |
| 12. 969657&001203CE | Pre laminate, .13 x 15.25 x 5.5" |
| 13. 969506-01 | Sub-Assy, Close out, Plumbing Lavy |
| 14. 969655-01 | Sub-Assy, Close out, Base, Lavy |
| 15. 969656&000118JC | Pre laminate, .75 x 22.19 x 48.38 |
| 16. 115064 | Counter molding, Aluminum |
| 17. 382779 | TP holder, Moen, Triva |
| 18. 602862 | Vessel Sink, Annod |
| 19. 602867 | Lavy faucet, Kingston Concord |
| 602799 | Drain pop |
| 382787 | Knob, w/Baseplate |
| 382437 | Pull, Recessed, Matte black |
| 115374 | Extrusion, Sliding track, .5" |
| 386572-01 | Edgebanding, Planked Urban Oak, 5/8" |
| 386572-02 | Edgebanding, Planked Urban Oak, 15/16" |
| 386610-02 | Edgebanding, Planked Urban Oak, 2MM, 15/16" |
| 111921 | Leaf spring |
| 381228-02 | Catch grabber, 5lb |
| 381607-11 | Hinge, self-close |
| 381607-12 | Baseplate, Hinge |
| 114812 | Aluminum angle, 1" x 1" x 3.89' |

FURNITURE, LAVATORY

Wardrobe



Parts Listed on Next Page

FURNITURE, LAVATORY

Wardrobe

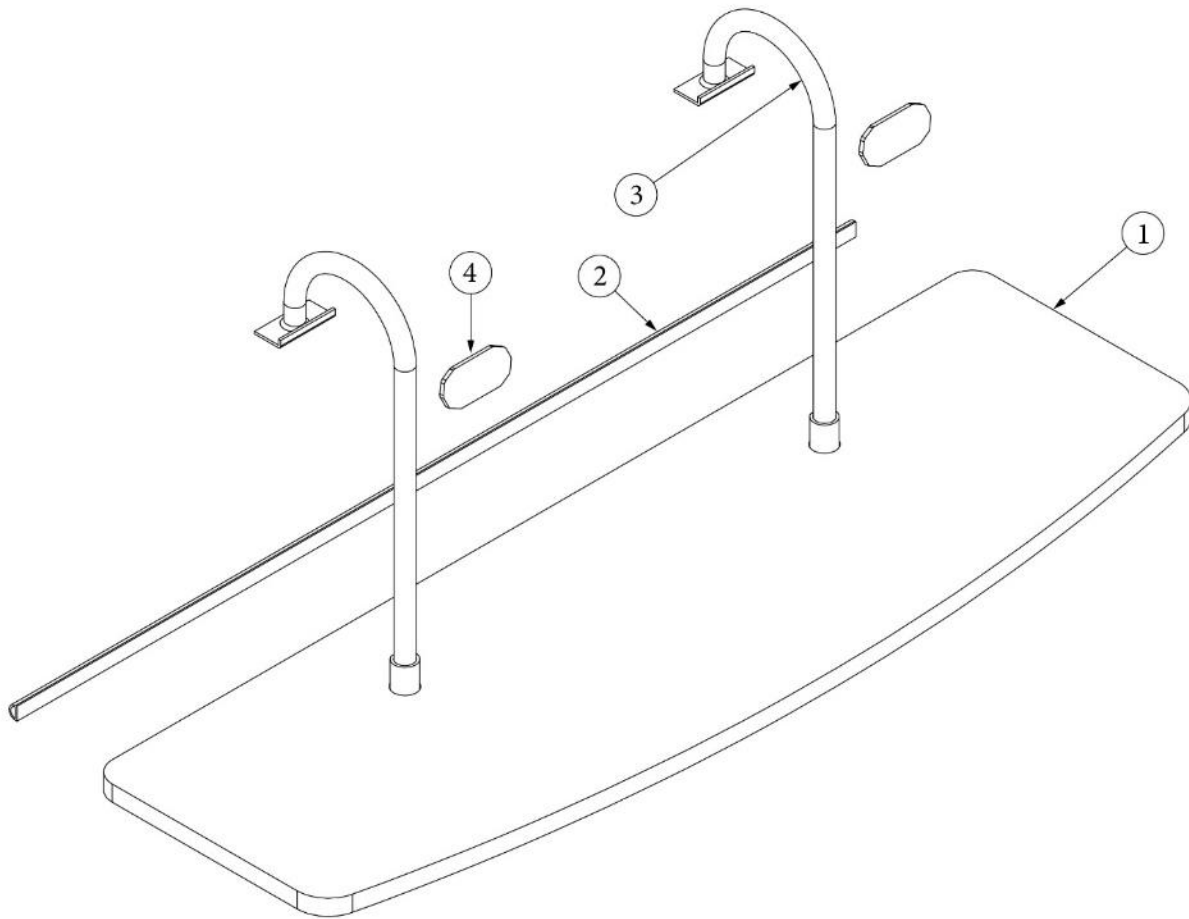
969637-01

Assy, Wardrobe

1. 969637&000212BC Pre laminate, .5 x 5.13 x 78.25"
2. 969637&000312CC Pre laminate, .5 x 14 x 4.49"
3. 969637&000412CC Pre laminate, .5 x 14 x 4.49"
4. 969637&000512CC Pre laminate, .5 x 15.13 x 4.75"
5. 969637&000612CC Pre laminate, .5 x 15.13 x 25.63"
6. 969637&000712CC Pre laminate, .5 x 15.13 x 25.29"
7. 969637&000812CC Pre laminate, .5 x 1.5 x 78.25"
8. 969637&000912CC Pre laminate, .5 x 15.13 x 6"
9. 969637&001018BC Pre laminate, .75 x 2.25 x 12.38"
10. 969637&001118BC Pre laminate, .75 x 2.25 x 12.38"
11. 969637&001218BC Pre laminate, .75 x 13 x 76.56"
12. 969637&001318BC Pre laminate, .75 x 2.25 x 77.79"
13. 969637&001503CE Pre laminate, .13 x 12.38 x 15"
14. 200975-04 Conduit, Flexible, Black Plastic
15. 372320 Mirror, 9 x 68.94"
16. 966883 Close out, Wardrobe
17. 969637&003412BC Pre laminate, 29.72 x 78.25"
18. 969637&003518CC Pre laminate, 29.72 x 78.25"
- 380045 Tubing, 15.88"
- 104821 Aluminum angle, 1.13 x 1.13 x 12.38"
- 386572-01 Edgebanding, Planked Urban Oak, 5/8"
- 386572-02 Edgebanding, Planked Urban Oak, 15/16"
- 365386-01 Edgebanding, Linen, .63"
- 365386-02 Edgebanding, Linen, .94"
- 203138-04 Extrusion, Plastic, oak wall, 1/2"
- 203464-01 Trim Panel, Oak, 3/4"
- 381228 Catch grabber, 10lb
- 381607-11 Hinge, self-close
- 381607-12 Baseplate, Hinge
- 382785 Pull Handle, Waterfall

FURNITURE, GALLEY

Party Ledge



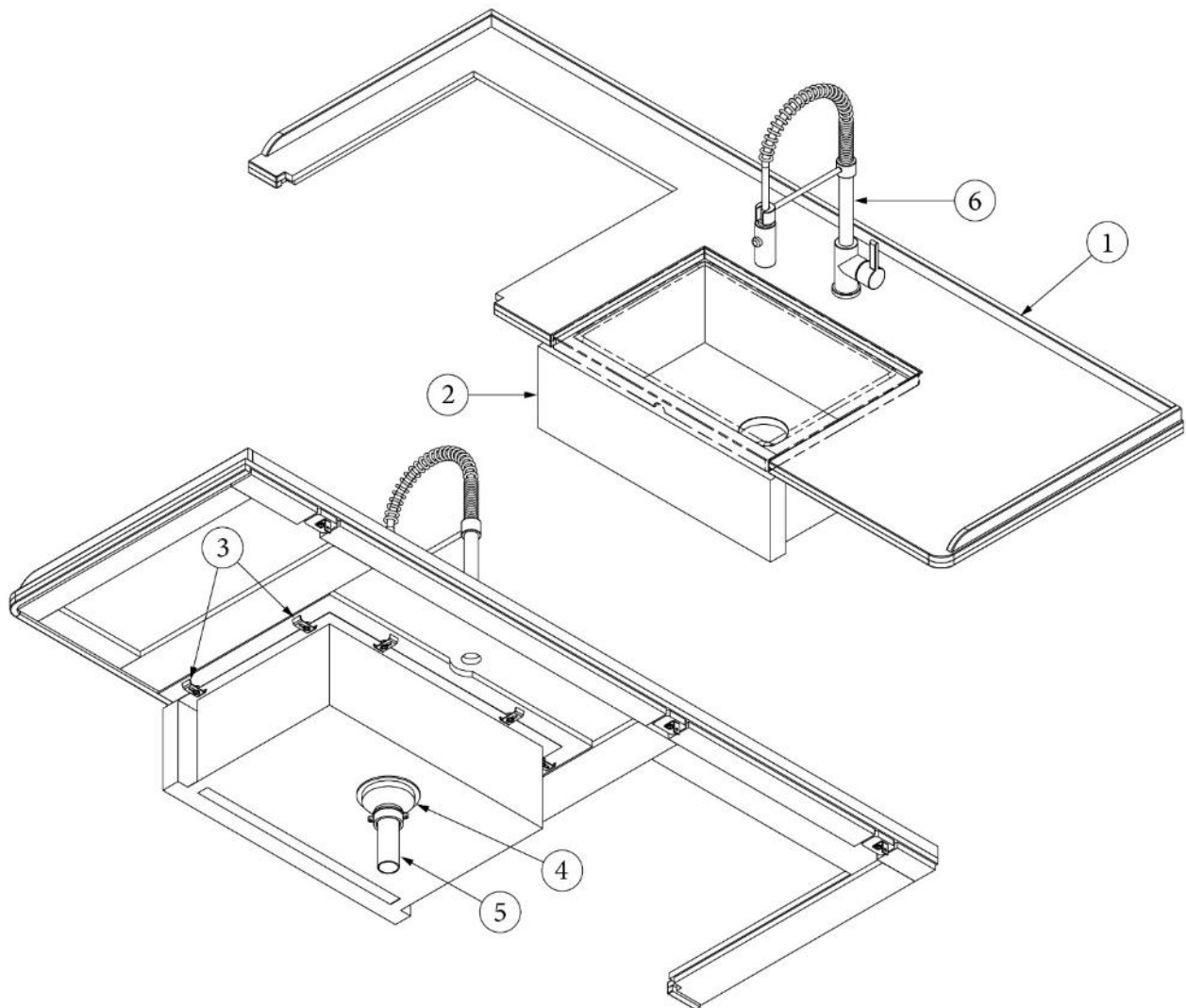
113712

Install, Party Ledge

- | | |
|--------------------|--------------------------------|
| 1. 113712&000118FF | Pre laminate, .75 x 15 x 42" |
| 2. 365458 | Rubber seal |
| 3. 455843 | Bent arm, Party ledge |
| 4. 365336-07 | Foot gasket, Lower awning |
| 365510 | Edgebanding, 15/16" |
| 386561 | Label, Warning, Shelf capacity |
| 704936 | Bag, Party ledge |
| 195617 | Foam block, Ledge arm |

FURNITURE, GALLEY

Galley Top



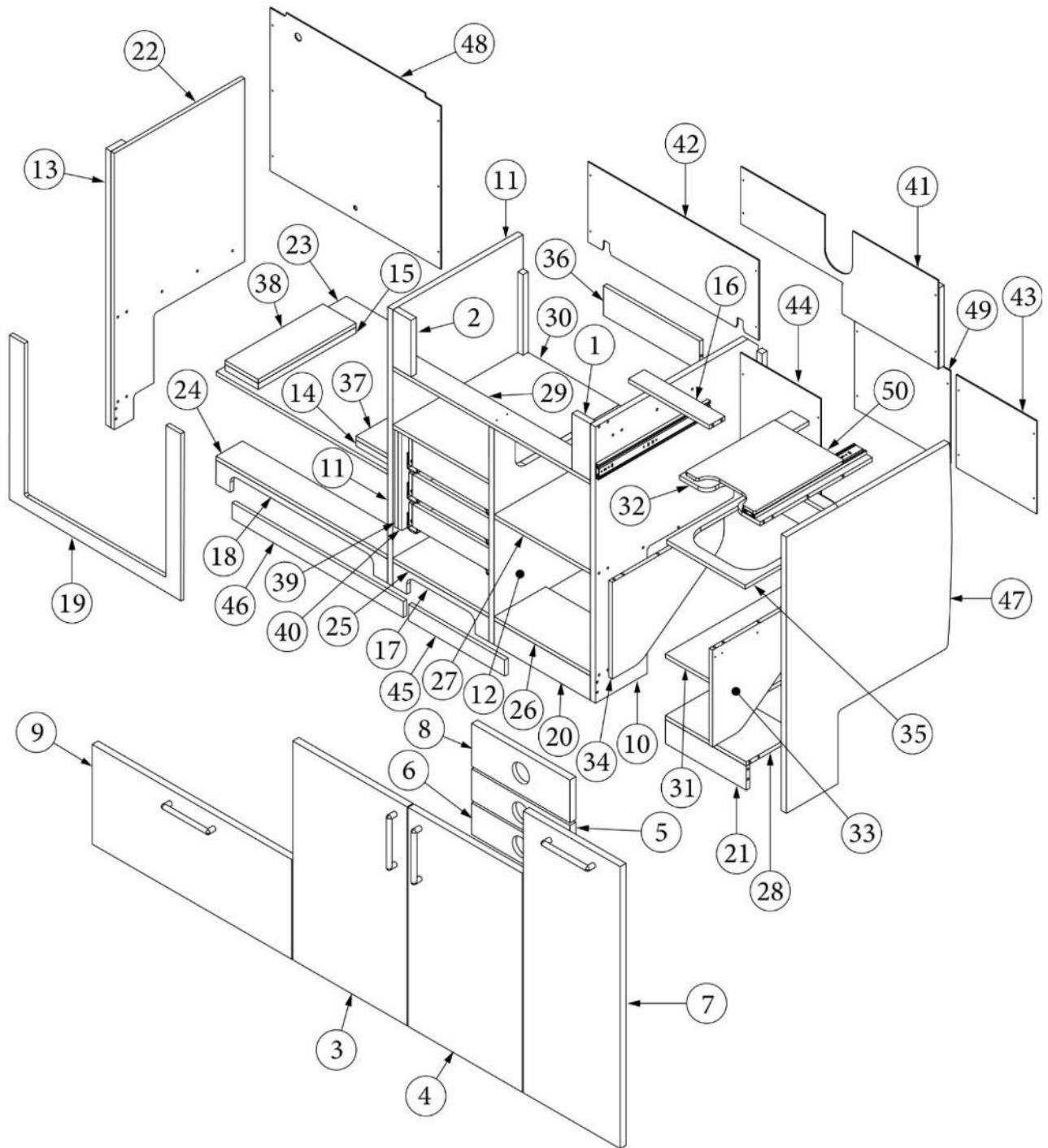
969631

Assy, Galley Top

- | | |
|--------------|----------------------------------|
| 1. 602863 | Galley top, Corian |
| 2. 602464 | Sink, Stainless steel, Farmhouse |
| 3. 602388 | Sink clip |
| 4. 602812-02 | Drainer basket kit |
| 5. 602164-02 | Tailpiece, w/nuts & washers |
| 6. 602868 | Galley faucet, Kingston brass |

FURNITURE, GALLEY

Galley Cabinet, Standard Oven



Parts Listed on Next Page

FURNITURE, GALLEY

Galley Cabinet, Standard Oven

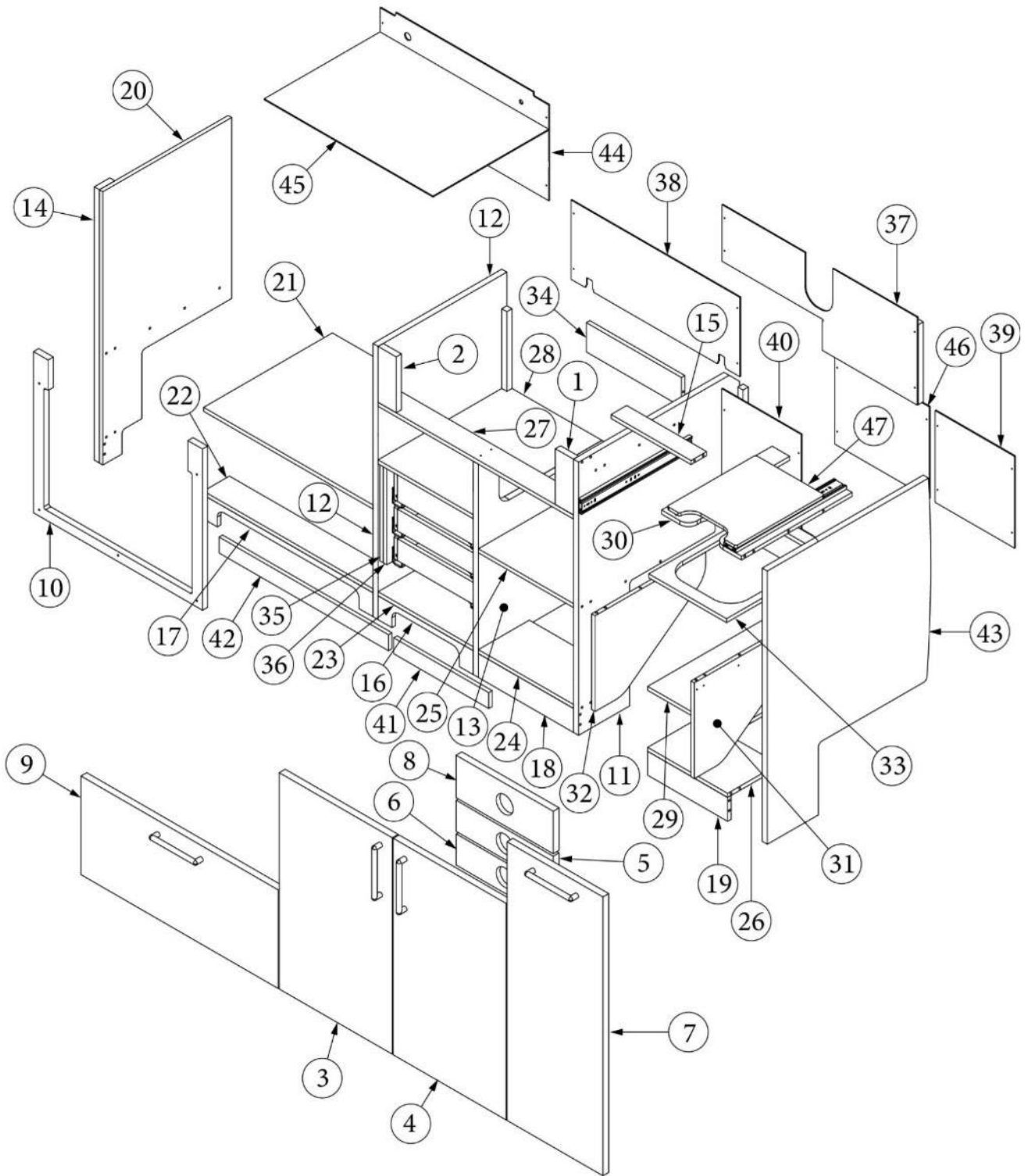
969630-01

Assy, Galley Base, Standard Oven

1. 969630&000218FC	Pre laminate, .75 x 2.62 x 7"
2. 969630&000318FC	Pre laminate, .75 x 2.62 x 7"
3. 969630&000418FC	Pre laminate, .75 x 14.38 x 23.88"
4. 969630&000518FC	Pre laminate, .75 x 14.38 x 23.88"
5. 969630&000618FC	Pre laminate, .75 x 12.38 x 3.44"
6. 969630&000718FC	Pre laminate, .75 x 12.38 x 3.44"
7. 969630&000818FC	Pre laminate, .75 x 12.19 x 30.75"
8. 969630&000918FC	Pre laminate, .75 x 12.38 x 4.69"
9. 969630&001018FC	Pre laminate, .75 x 25.13 x 10.87"
10. 969630&001218CC	Pre laminate, .75 x 23.28 x 34.25"
11. 969630&001318CC	Pre laminate, .75 x 18.63 x 34.25"
12. 969630&001418CC	Pre laminate, .75 x 18.63 x 26.75"
13. 969630&001518CC	Pre laminate, .75 x 2.25 x 34.25"
14. 969630&001618CC	Pre laminate, .75 x 4.75 x 14"
15. 969630&001718CC	Pre laminate, .75 x 4.75 x 14"
16. 969630&001812FC	Pre laminate, 11.56 x 2.25"
17. 969630&001912FC	Pre laminate, 13.75 x 3"
18. 969630&002012FC	Pre laminate, 24.5 x 3"
19. 969630&002112FC	Pre laminate, .5 x 24.5 x 20.25"
20. 969630&002212FC	Pre laminate, 13.75 x 3"
21. 969630&002312FC	Pre laminate, 11.56 x 3"
22. 969630&002412CC	Pre laminate, .5 x 18.63 x 34.25"
23. 969630&002512CC	Pre laminate, 24.5 x 18.63"
24. 969630&002612CC	Pre laminate, 24.5 x 3.75"
25. 969630&002712CC	Pre laminate, 18.63 x 13.75"
26. 969630&002812CC	Pre laminate, 7.38 x 13.75"
27. 969630&002912CC	Pre laminate, .5 x 18.63 x 13.75"
28. 969630&003012CC	Pre laminate, 7.38 x 11.56"
29. 969630&003112CC	Pre laminate, 3 x 28.24"
30. 969630&003212CC	Pre laminate, 13.75 x 18.63"
31. 969630&003312CC	Pre laminate, 11.56 x 19.16"
32. 969630&003412CC	Pre laminate, 11.56 x 16"
33. 969630&003512CC	Pre laminate, 16 x 12"
34. 969630&003612CC	Pre laminate, 16 x 12"
35. 969630&003712CC	Pre laminate, 11.25 x 16.6"
36. 969630&003812CC	Pre laminate, 3.67 x 13.75"
37. 969630&003912CC	Pre laminate, .5 x 4.75 x 14"
38. 969630&004012CC	Pre laminate, .5 x 4.75 x 14"
39. 969630&004512CC	Pre laminate, .5 x 16.56 x 12.3"
40. 969630&004612CC	Pre laminate, .5 x 16.56 x 12.3"
41. 969630&004803CE	Pre laminate, .13 x 28.25 x 11"
42. 969630&004903CE	Pre laminate, .5 x 24.44 x 9.94"
43. 969630&005003CE	Pre laminate, .13 x 11.5 x 11.5"
44. 969630&005103CE	Pre laminate, .13 x 11.5 x 17"
45. 969630&007712FC	Pre laminate, .5 x 2 x 13.75"
46. 969630&007812FC	Pre laminate, .5 x 2 x 24.5"
47. 969630&007918FC	Pre laminate, 23.63 x 34.25"
48. 969630&008003CE	Pre laminate, .13 x 20.7 x 24.4"
49. 969630&008903CE	Pre laminate, .13 x 13.69 x 11.5"
50. 204261	Cutting board slide

FURNITURE, GALLEY

Galley Cabinet, Convection Microwave Option



Parts Listed on Next Page

FURNITURE, GALLEY

Galley Cabinet, Convection Microwave Option

969630-02

Assy, Galley Base, Convection Oven

1. 969630&000218FC	Pre laminate, .75 x 2.62 x 7"
2. 969630&000318FC	Pre laminate, .75 x 2.62 x 7"
3. 969630&000418FC	Pre laminate, .75 x 14.38 x 23.88"
4. 969630&000518FC	Pre laminate, .75 x 14.38 x 23.88"
5. 969630&000618FC	Pre laminate, .75 x 12.38 x 3.44"
6. 969630&000718FC	Pre laminate, .75 x 12.38 x 3.44"
7. 969630&000818FC	Pre laminate, .75 x 12.19 x 30.75"
8. 969630&000918FC	Pre laminate, .75 x 12.38 x 4.69"
9. 969630&001018FC	Pre laminate, .75 x 25.13 x 10.87"
10. 969630&001118FC	Pre laminate, .75 x 24.5 x 20.25"
11. 969630&001218CC	Pre laminate, .75 x 23.28 x 34.25"
12. 969630&001318CC	Pre laminate, .75 x 18.63 x 34.25"
13. 969630&001418CC	Pre laminate, .75 x 18.63 x 26.75"
14. 969630&001518CC	Pre laminate, .75 x 2.25 x 34.25"
15. 969630&001812FC	Pre laminate, 11.56 x 2.25"
16. 969630&001912FC	Pre laminate, 13.75 x 3"
17. 969630&002012FC	Pre laminate, 24.5 x 3"
18. 969630&002212FC	Pre laminate, 13.75 x 3"
19. 969630&002312FC	Pre laminate, 11.56 x 3"
20. 969630&002412CC	Pre laminate, .5 x 18.63 x 34.25"
21. 969630&002512CC	Pre laminate, 24.5 x 18.63"
22. 969630&002612CC	Pre laminate, 24.5 x 3.75"
23. 969630&002712CC	Pre laminate, 18.63 x 13.75"
24. 969630&002812CC	Pre laminate, 7.38 x 13.75"
25. 969630&002912CC	Pre laminate, .5 x 18.63 x 13.75"
26. 969630&003012CC	Pre laminate, 7.38 x 11.56"
27. 969630&003112CC	Pre laminate, 3 x 28.24"
28. 969630&003212CC	Pre laminate, 13.75 x 18.63"
29. 969630&003312CC	Pre laminate, 11.56 x 19.16"
30. 969630&003412CC	Pre laminate, 11.56 x 16"
31. 969630&003512CC	Pre laminate, 16 x 12"
32. 969630&003612CC	Pre laminate, 16 x 12"
33. 969630&003712CC	Pre laminate, 11.25 x 16.6"
34. 969630&003812CC	Pre laminate, 3.67 x 13.75"
35. 969630&004512CC	Pre laminate, .5 x 16.56 x 12.3"
36. 969630&004612CC	Pre laminate, .5 x 16.56 x 12.3"
37. 969630&004803CE	Pre laminate, .13 x 28.25 x 11"
38. 969630&004903CE	Pre laminate, .5 x 24.44 x 9.94"
39. 969630&005003CE	Pre laminate, .13 x 11.5 x 11.5"
40. 969630&005103CE	Pre laminate, .13 x 11.5 x 17"
41. 969630&007712FC	Pre laminate, .5 x 2 x 13.75"
42. 969630&007812FC	Pre laminate, .5 x 2 x 24.5"
43. 969630&007918FC	Pre laminate, 23.63 x 34.25"
44. 969630&008203CE	Pre laminate, .13 x 12.5 x 24.4"
45. 969630&008303CE	Pre laminate, .13 x 16.75 x 24.4"
46. 969630&008903CE	Pre laminate, .13 x 13.69 x 11.5"
47. 204261	Cutting board slide

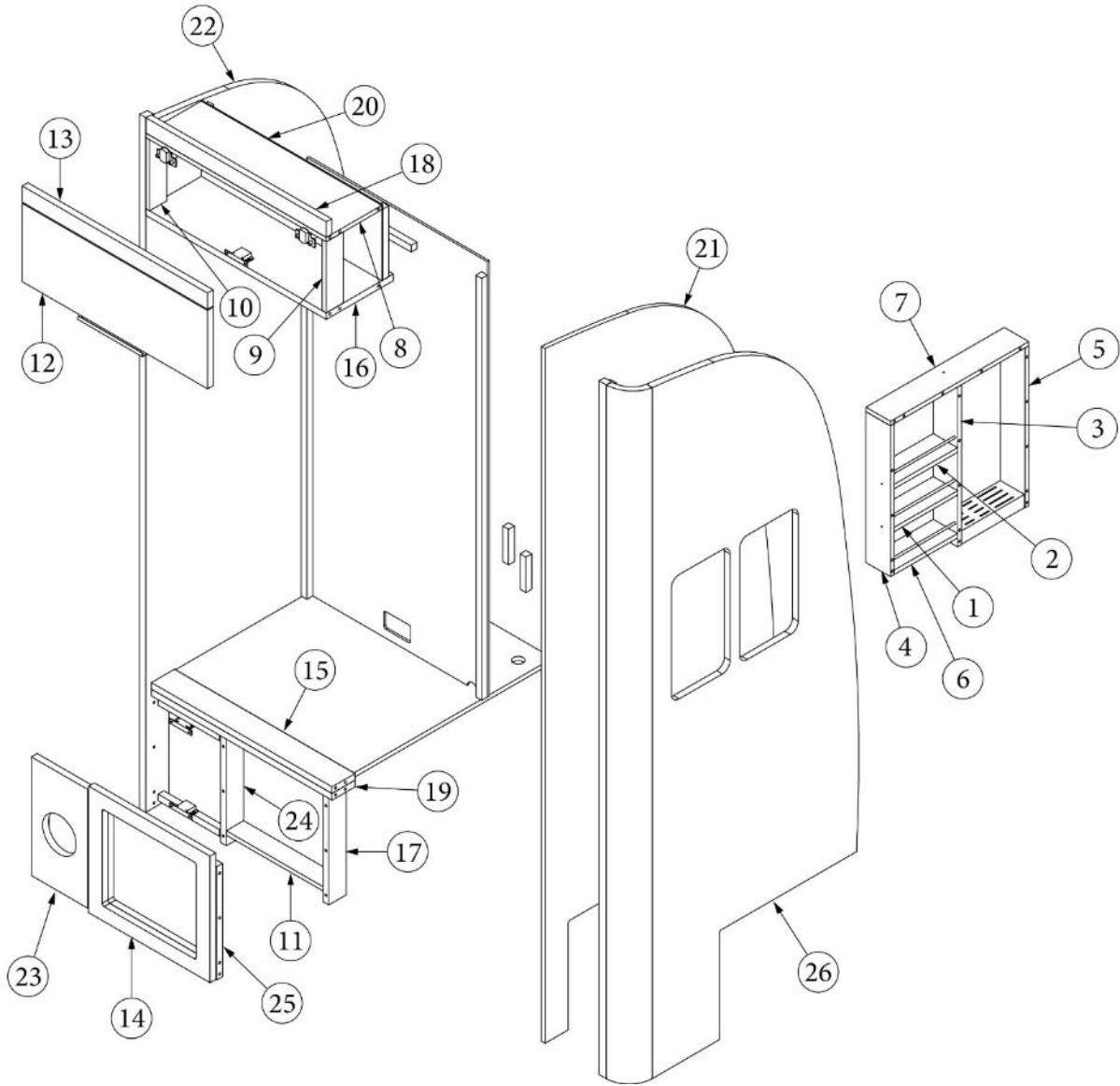
FURNITURE, GALLEY

Galley Cabinet, Hardware

386572-01	Edgebanding, Planked Urban Oak, 5/8"
386572-02	Edgebanding, Planked Urban Oak, 15/16"
381228-02	Catch grabber, 5lb
381607-11	Hinge, self-close
381607-12	Baseplate, Hinge
382786	Pull Handle
382797	Finger pull, Matte black
382807-07	Drawer slide, pair, 15"
381400-03	Drawer slide, pair, 16"
382807-01	Clip, Left front fixing
382807-02	Clip, Right front fixing
969705-05	Drawer box, 4 x 15 x 12.13
969706-07	Drawer box, 5 x 15 x 13.5

FURNITURE, GALLEY

Refrigerator Cabinet



Parts Listed on Next Page

FURNITURE, GALLEY

Refrigerator Cabinet

969647-01

1. 969647&000112BB
2. 969647&000212BB
3. 969647&000312BB
4. 969647&000512BC
5. 969647&000612BC
6. 969647&000712BC
7. 969647&000812BC
8. 969647&000912CC
9. 969647&001012CC
10. 969647&001112CC
11. 969647&001212CC
12. 969647&001318BC
13. 969647&001418BC
14. 969647&001518BC
15. 969647&001618BC
16. 969647&001818CC
17. 969647&001918CC
18. 969647&002118CC
19. 969647&002218CC
20. 969647&002303CE
21. 969647&004312BC
22. 969647&004418CC
23. 969647&004518BC
24. 969647&004618CC
25. 969647&004918BC

802570

386572-01

386572-02

203464-01

381228

381607-11

381607-12

381607-04

969645-01

801345

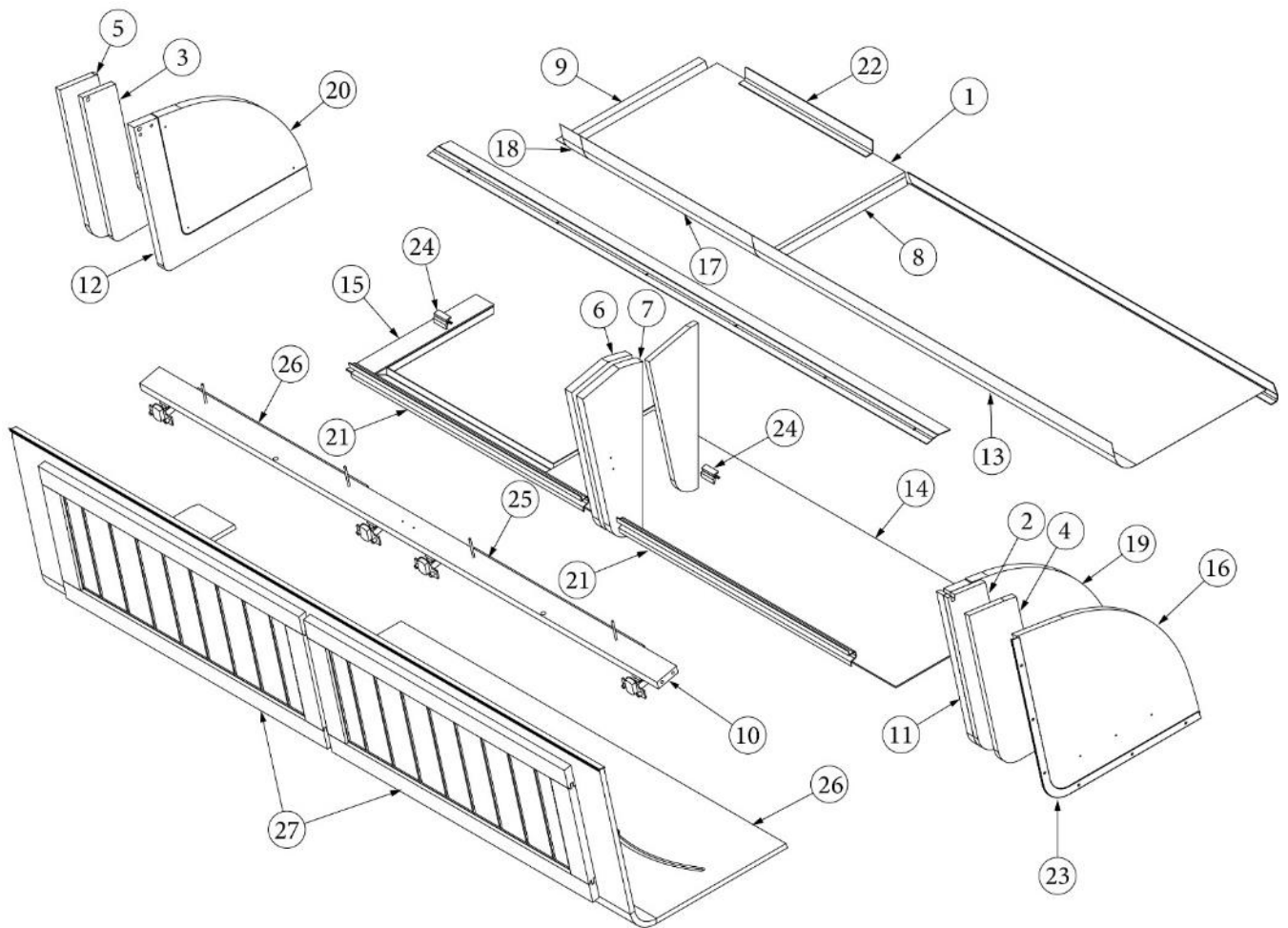
203942-03

Assy, Refrigerator Cabinet

- Pre laminate, .5 x 8.25 x 3.19"
- Pre laminate, .5 x 8.25 x 3.19"
- Pre laminate, .5 x 3.19 x 18"
- Pre laminate, .5 x 3.19 x 17"
- Pre laminate, .5 x 3.19 x 18"
- Pre laminate, .5 x 8.25 x 3.19"
- Pre laminate, .5 x 18 x 3.19"
- Pre laminate, .5 x 23.5 x 7.25"
- Pre laminate, .5 x 2.25 x 8"
- Pre laminate, .5 x 2.25 x 8"
- Pre laminate, .5 x 22.59 x 2.25"
- Pre laminate, .75 x 24.13 x 8.84"
- Pre laminate, .75 x 24.13 x 1.81"
- Pre laminate, .75 x 15.81 x 14.25"
- Pre laminate, .75 x 23.5 x 3"
- Pre laminate, .75 x 23.5 x 8.75"
- Pre laminate, .75 x 2.25 x 12.75"
- Pre laminate, .75 x 23.5 x 1.75"
- Pre laminate, .75 x 23.5 x 3"
- Pre laminate, .13 x 23.5 x 8.5"
- Pre laminate, 29.89 x 78.25"
- Pre laminate, 29.14 x 78.25"
- Pre laminate, .75 x 7.31 x 13.38"
- Pre laminate, .75 x 2.25 x 12.75"
- Pre laminate, .75 x 23.5 x 12.75"
- Knife Block
- Edgebanding, Planked Urban Oak, 5/8"
- Edgebanding, Planked Urban Oak, 15/16"
- Trim Panel, Oak, 3/4"
- Catch Grabber, Door, C3-810
- Hinge, Self-Close Overlay, 110D
- Baseplate, Grass, 9.5 x 37/32
- Hinge, Screw-Grass, #6x5/8 FHP,N
- Refer Panel
- Radius Plywood, .75" x 3" x 8'
- T-Molding, Black, 13/16"

FURNITURE, GALLEY

Roof Locker, Galley



Parts Listed on Next Page

FURNITURE, GALLEY

Roof Locker, Galley

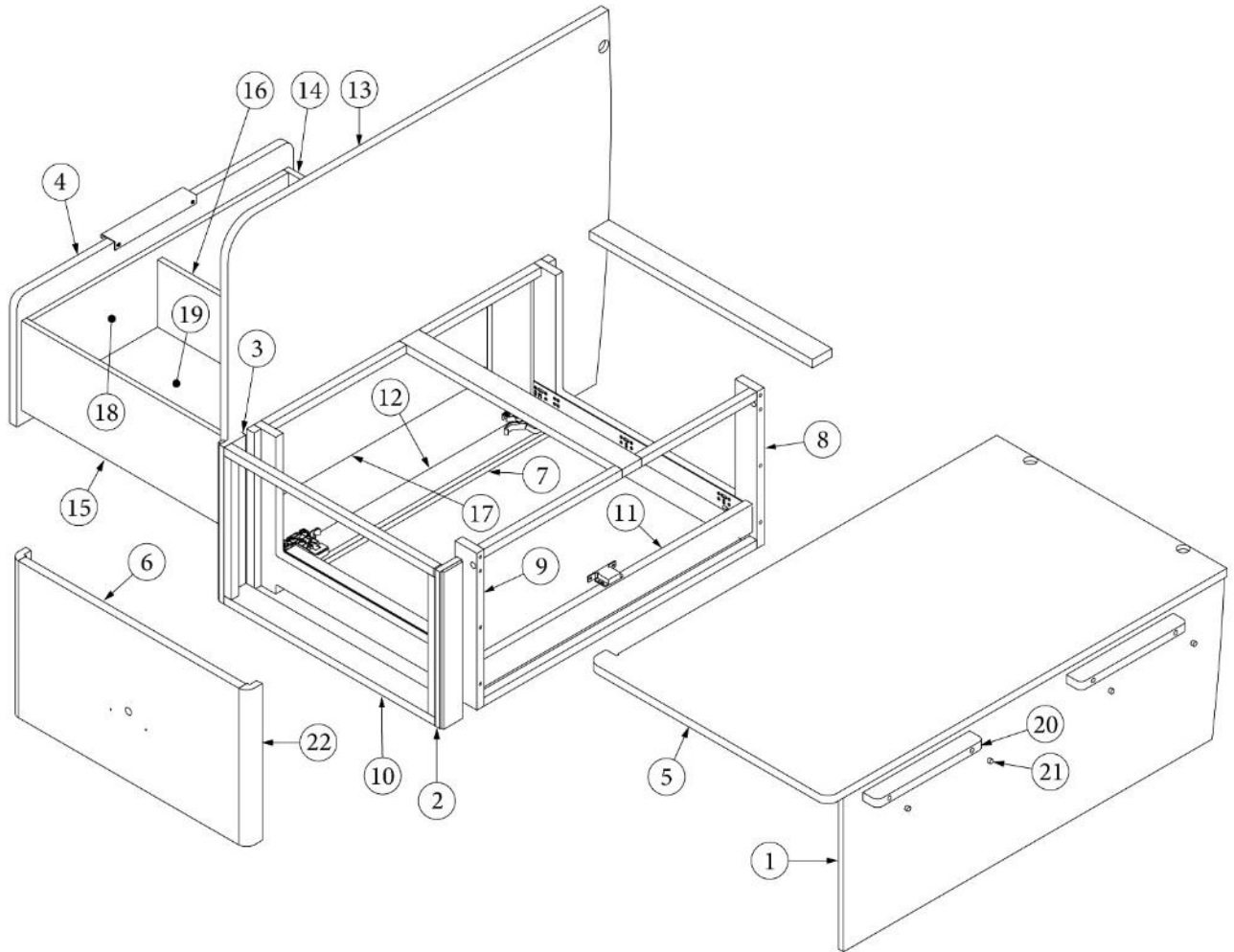
969641-01

Assy, Roof Locker, Galley

1. 969641&000112CC	Pre laminate, .5 x 21.09 x 16.24"
2. 969641&000212CE	Pre laminate, 20.06 x 17.38"
3. 969641&000312CE	Pre laminate, 19.63 x 15.94"
4. 969641&000412CE	Pre laminate, 19.59 x 16.83"
5. 969641&000512CE	Pre laminate, 19.59 x 16.83"
6. 969641&000618CC	Pre laminate, .75 x 6.75 x 16.75"
7. 969641&000718CC	Pre laminate, .75 x 6.75 x 16.75"
8. 969641&000818CC	Pre laminate, .75 x .92 x 16.25"
9. 969641&000918CC	Pre laminate, .75 x .92 x 16.25"
10. 969641&001018CE	Pre laminate, .75 x 2.25 x 58"
11. 969641&001118CE	Pre laminate, 20.06 x 17.38"
12. 969641&001218CE	Pre laminate, 19.93 x 15.92"
13. 969641&001501CE	Pre laminate, 19.5 x 40.41"
14. 969641&001603CE	Pre laminate, .13 x 13.25 x 40.41"
15. 969641&001703CE	Pre laminate, .13 x 14.52 x 2"
16. 802574&000112DK	Pre laminate, 20.55 x 17.66
17. 969641&002901CE	Pre laminate, 6.99 x 19.19"
18. 969641&003001CE	Pre laminate, 19.5 x 2.28"
19. 969641&005018CE	Pre laminate, 16.3 x 13.98"
20. 969641&005118CE	Pre laminate, 16.72 x 13.02"
21. 101401	Extrusion, Door latch housing
22. 115227-07	Locker track support, Angle, Formed
23. 116396-01	Trim, Locker end
24. 513259	Magnetic switch
25. 513297-19	Track light, Luna, Kit, 19"
26. 802574	Locker Face, Galley
27. 802575-011007	Door, Locker
115483	Angle, Aluminum, .06" x .75" x 6'
365386-01	Edgebanding, White Linen .63"
365386-02	Edgebanding, White Linen .94"
203445	Trim, Black, .56"
201673	Reverse cove molding, White
381607-11	Hinge, Self-close
381607-12	Baseplate, Hinge

FURNITURE, GALLEY

Dinette Seat, Forward



Parts Listed on Next Page

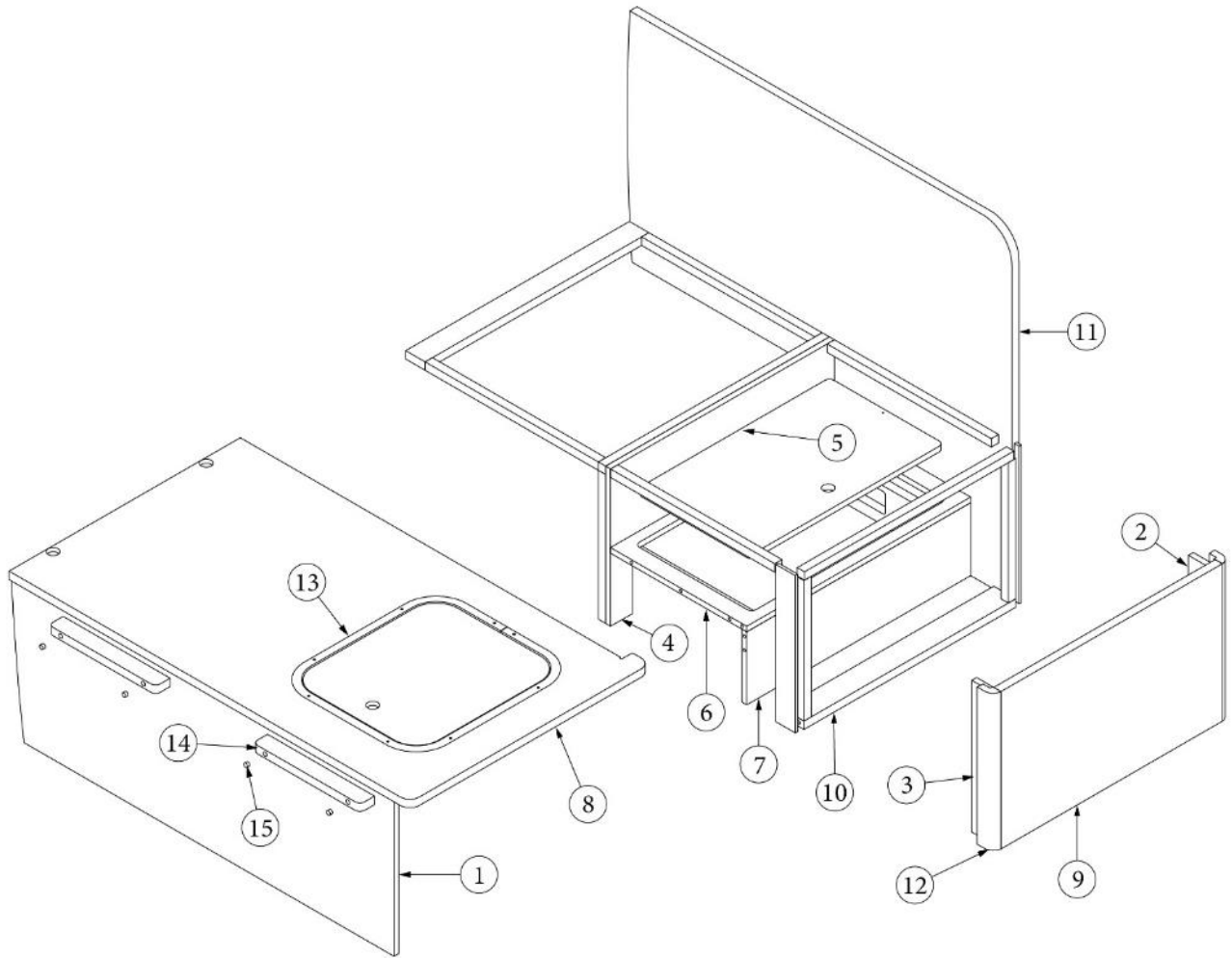
FURNITURE, GALLEY

Dinette Seat, Forward

969652-01	Assy, Forward Dinette Seat
969688	Assy, Custom Drawer Box
1. 969652&000112BC	Pre laminate, .5 x 39.30 x 14"
2. 969652&000212CC	Pre laminate, .5 x 2.25 x 14"
3. 969652&000312CC	Pre laminate, .5 x 2.25 x 14"
4. 969652&000518BC	Pre laminate, .75 x 28.5 x 11.5"
5. 969652&000618BC	Pre laminate, .75 x 24.75 x 41.18"
6. 969652&000718BC	Pre laminate, .75 x 22.76 x 14"
7. 969652&000812CC	Pre laminate, .5 x 28.13 x 2.25"
8. 969652&000918CC	Pre laminate, .75 x 23 x 14"
9. 969652&001018CC	Pre laminate, .75 x 23 x 14"
10. 969652&001118CC	Pre laminate, .75 x 21.76 x 2.25"
11. 969652&001218CC	Pre laminate, .75 x 28.13 x 2.25"
12. 969652&002712CC	Pre laminate, .5 x 28.13 x 2.25"
13. 969652&003618BB	Pre laminate, 39.51 x 32.75"
14. 969688&000112BB	Pre laminate, .5 x 21 x 8"
15. 969688&000212BB	Pre laminate, .5 x 21 x 8"
16. 969688&000312BB	Pre laminate, .5 x 20 x 6"
17. 969688&000412BB	Pre laminate, .5 x 26.5 x 8"
18. 969688&000512BC	Pre laminate, .5 x 26.5 x 8"
19. 969688&000612BC	Pre laminate, .5 x 26.5 x 20"
20. 802582-1008	Stop, Countryside oak
21. 802583-1008	Stop plug, Countryside oak
22. 801706-1008	Corner trim, 90-degree, 1" radius
704885	Cushion kit
382785	Handle, Waterfall pull
382057-04	Cap, Knockdown
382057	Knockdown
381228	Catch grabber, Black, 10lb
386572-01	Edgebanding, Planked Urban Oak, 5/8"
386572-02	Edgebanding, Planked Urban Oak, 15/16"
386572-03	Edgebanding, Planked Urban Oak, 1-1/4"
203942-03	T-Molding, Black, 13/16"
969747-05	Undermounting hardware, 21"
382807-09	Drawer slide, Self-close, 21"
382807-01	Clip, Left front fixing
382807-02	Clip, Right front fixing

FURNITURE, GALLEY

Dinette Seat, Aft



Parts Listed on Next Page

FURNITURE, GALLEY

Dinette Seat, Aft

969651-01

Assy, Aft Dinette Seat

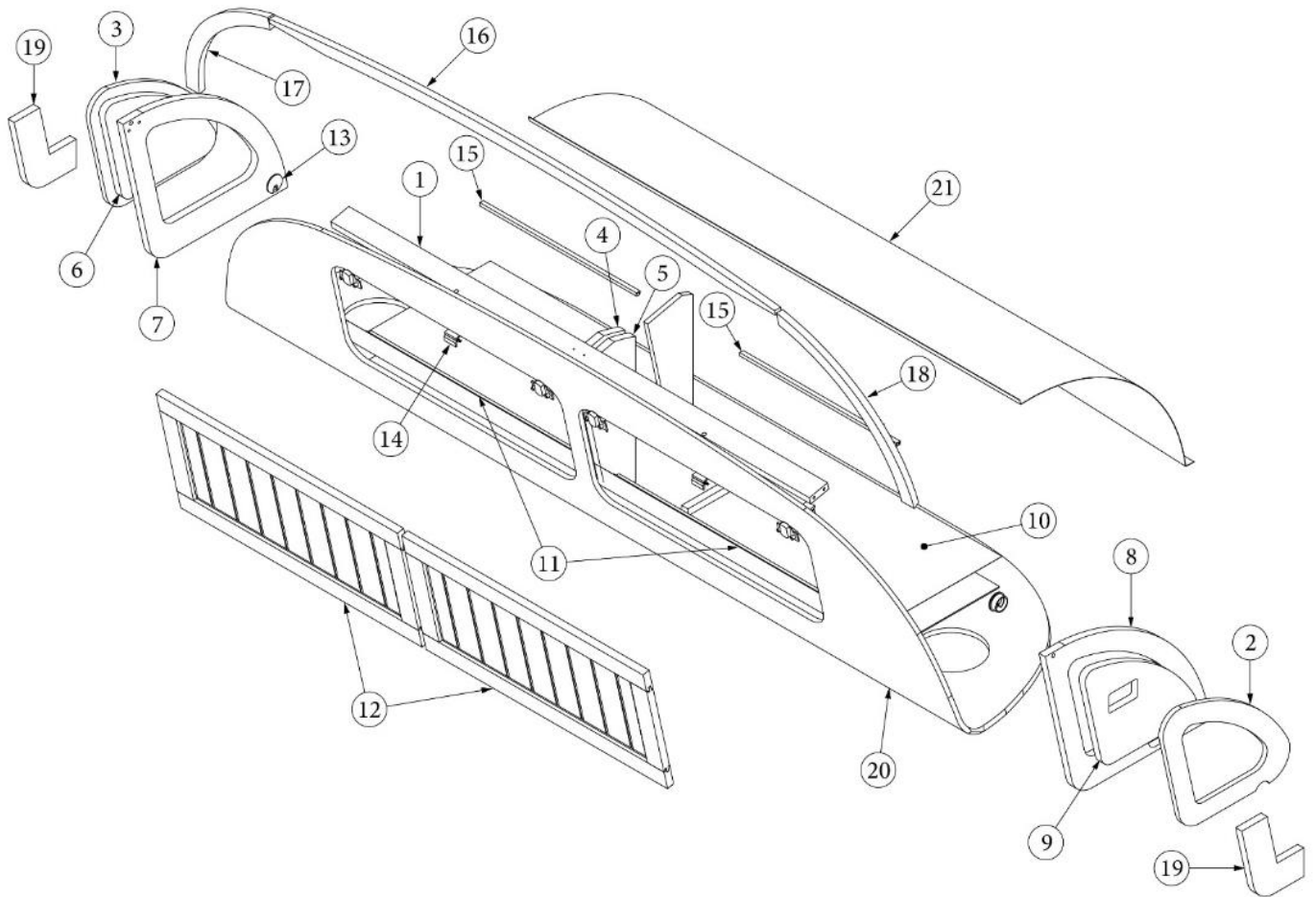
- | | |
|---------------------|---|
| 1. 969651&000112BC | Pre laminate, .5 x 39.30 x 14" |
| 2. 969651&000212CC | Pre laminate, .5 x 2.25 x 13.5" |
| 3. 969651&000312CC | Pre laminate, .5 x 2.25 x 13.5" |
| 4. 969651&000412CC | Pre laminate, .5 x 23 x 14" |
| 5. 969651&000512CC | Pre laminate, .5 x 19.75 x 11.75" |
| 6. 969651&000612CE | Pre laminate, .5 x 23 x 14" |
| 7. 969651&000712CE | Pre laminate, .5 x 23 x 6.5" |
| 8. 969651&000918BC | Pre laminate, .75 x 24.75 x 41.18" |
| 9. 969651&001018BC | Pre laminate, .75 x 22.76 x 14" |
| 10. 969651&001118CC | Pre laminate, .75 x 21.76 x 2.25" |
| 11. 969651&002918BB | Pre laminate, 39.51 x 32.75" |
| 12. 801706-1008 | Corner trim, 90-degree, 1" radius |
| 13. 115812 | Trim ring, Dinette seat |
| 14. 802582-1008 | Stop, Countryside oak |
| 15. 802583-1008 | Stop plug, Countryside oak |
| 704885 | Cushion kit |
| 802584 | Component board, electrical, under seat |
| 382057-04 | Cap, Knockdown |
| 382057 | Knockdown |
| 386572-02 | Edgebanding, Planked Urban Oak, 15/16" |
| 365386-01 | Edgebanding, Linen, .63" |

Dinette Table

- | | |
|-------------|-------------------|
| 802571-1009 | Tabletop, Dinette |
| 382777 | Pedestal, Table |

FURNITURE, LOUNGE

Roof Locker, Lounge



Parts Listed on Next Page

FURNITURE, LOUNGE

Roof Locker, Lounge

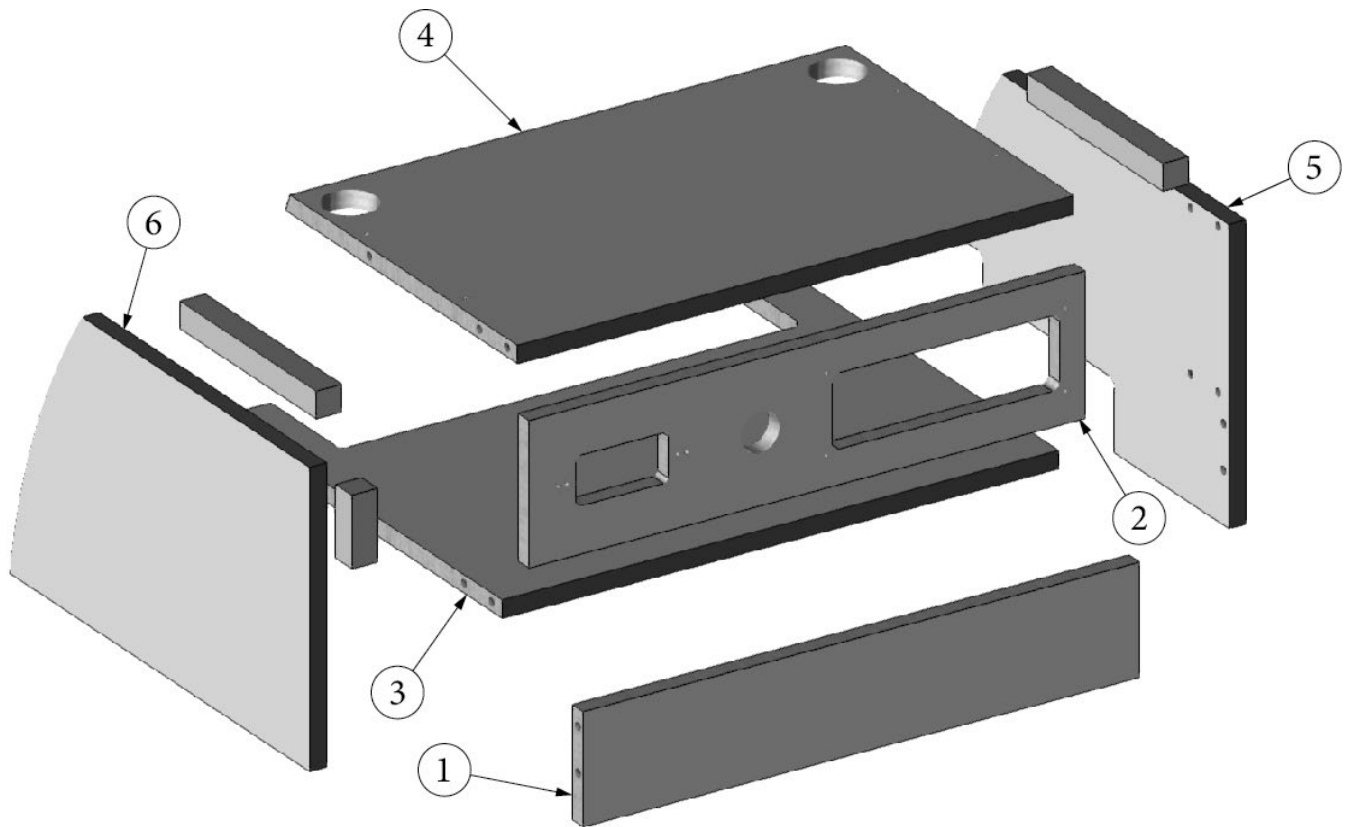
969643-01

Assy, Liner Locker, w/Radio and Speakers

1. 969643&000118CE Pre laminate, .75 x 2.25 x 58"
2. 969643&000212CE Pre laminate, .5 x 15.38 x 13.18"
3. 969643&000312CE Pre laminate, .5 x 15.38 x 13.18"
4. 969643&000418CC Pre laminate, .75 x 6.79 x 16"
5. 969643&000518CC Pre laminate, .75 x 6.79 x 16"
6. 969643&000618CE Pre laminate, .75 x 13.45 x 11.02"
7. 969643&000718CE Pre laminate, .75 x 19.94 x 16.58"
8. 969643&000818CE Pre laminate, .75 x 19.94 x 16.58"
9. 969643&000918CE Pre laminate, .75 x 13.54 x 11.02"
10. 969643&001001CE Pre laminate, .75 x 19.94 x 16.58"
11. 101401 Extrusion, Door latch housing, 25"
12. 802575-021007 Door, Locker
13. 381209-01 Grommet, Black cap, 1.5" hole
14. 513259 Magnet Switch
15. 513297-19 Luna Light, Kit, 3000K, 19"
16. 801596-01 Backer, Liner locker, Center
17. 801596-02 Backer, Liner locker, LH
18. 801596-03 Backer, Liner locker, RH
19. 801710 Support, Divider, Liner locker
20. 802576 Face, Liner locker
21. 115264-11 Pan, Liner locker
- 365386-02 Edgebanding, White Linen .94"
- 203445 Trim, Black, .56"
- 201673 Reverse cove molding, White
- 116430 Shroud, Locker
- 381607-11 Hinge, Self-close
- 381607-12 Baseplate, Hinge
- 382242 Stay set, Lid

FURNITURE, LOUNGE

Radio Shelf, Roof Locker



969825-02

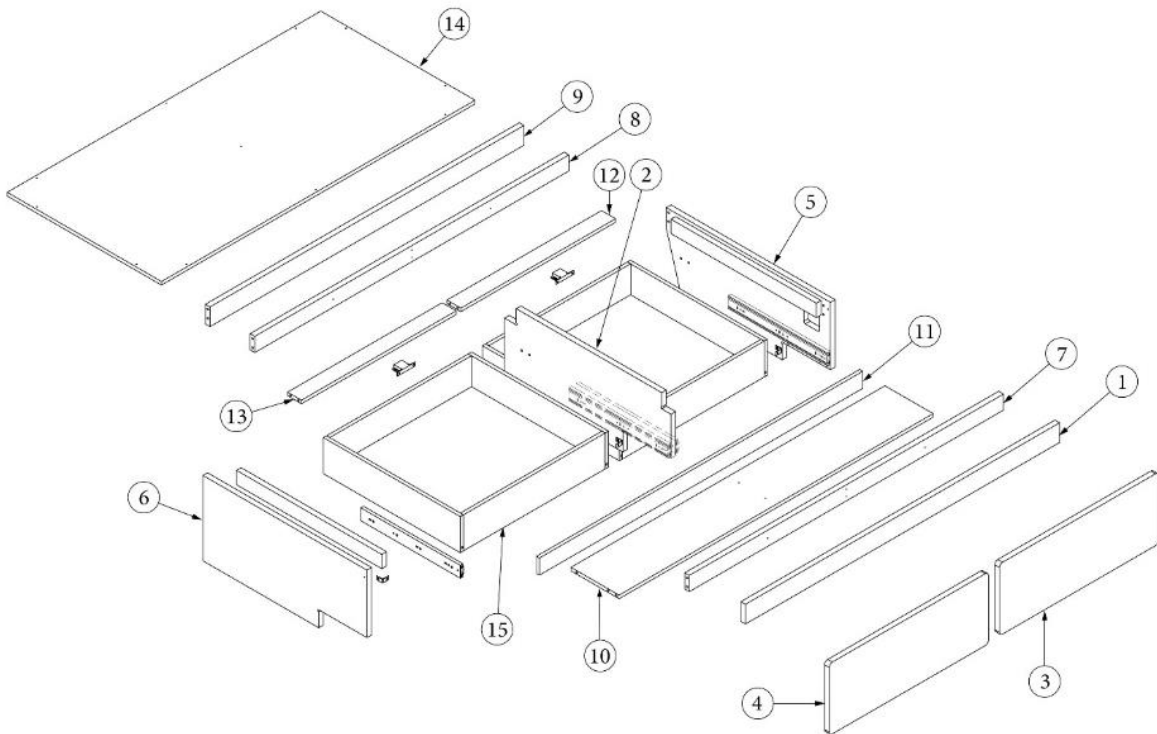
Assembly, Radio Shelf, Bedroom

1. 969825&020112CC
 2. 969825&020212CC
 3. 969825&020312CC
 4. 969825&020412CC
 5. 969825&020712CC
 6. 969825&020812CC
- 365386-01

- Pre laminate, .50 x 16.25 x 3.13"
Pre laminate, .50 x 16.25 x 4"
Pre laminate, .50 x 16.25 x 12.97"
Pre laminate, .50 x 16.25 x 10.63"
Pre laminate, .50 x 13.04 x 8.25"
Pre laminate, .50 x 13.75 x 8.25"
Edgebanding, Linen, .63"

FURNITURE, LOUNGE

Sofa Base, Front



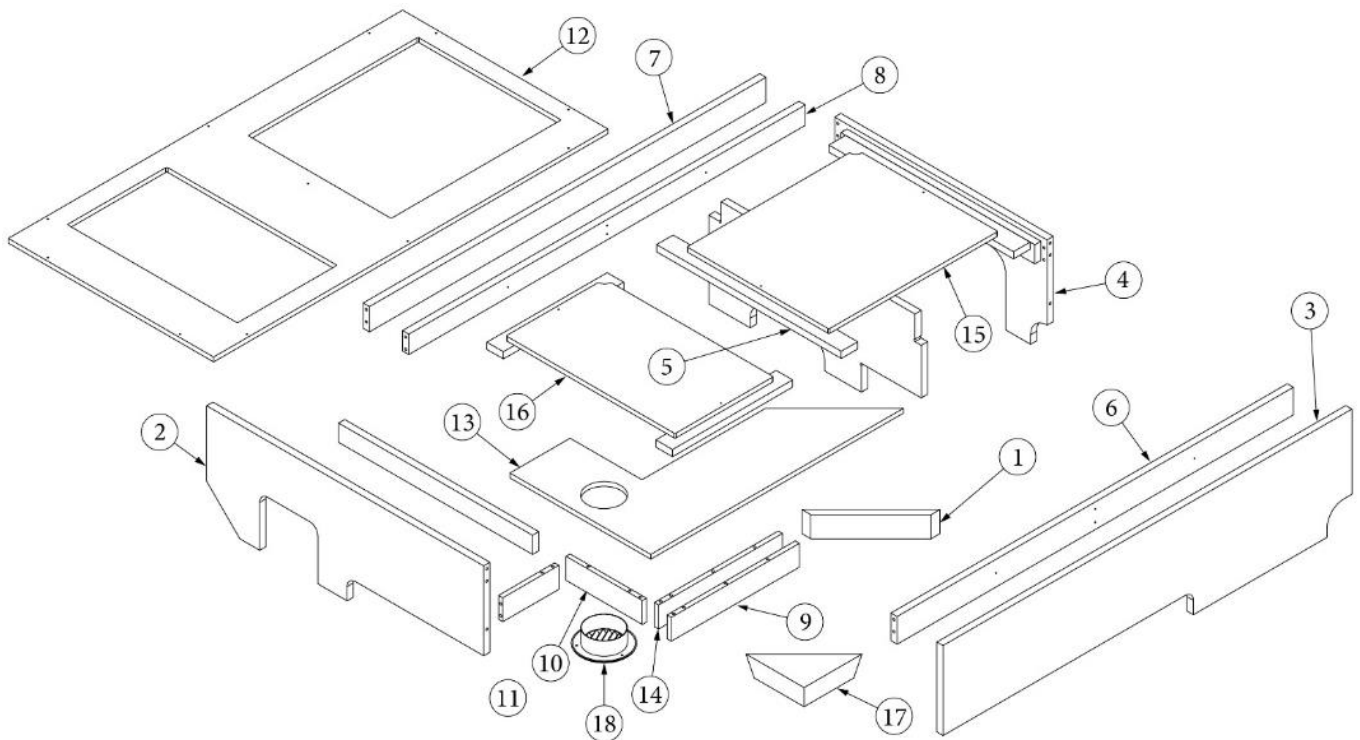
969622

Assy, Sofa Base Front

1. 969622&000118BE	Pre laminate, .75 x 2.75 x 50.5"
2. 969622&000218CC	Pre laminate, .75 x 26.75 x 11.88"
3. 969622&000318CE	Pre laminate, .75 x 25.59 x 10"
4. 969622&000418CE	Pre laminate, .75 x 25.59 x 10"
5. 969622&000518CE	Pre laminate, .75 x 26.75 x 11.88"
6. 969622&000618CE	Pre laminate, .75 x 26.75 x 11.88"
7. 969622&000718CE	Pre laminate, .75 x 2.25 x 50.5"
8. 969622&000818CE	Pre laminate, .75 x 2.25 x 50.5"
9. 969622&000918CE	Pre laminate, .75 x 2.25 x 50.5"
10. 969622&001012BC	Pre laminate, .5 x 7.75 x 50.5"
11. 969622&001112BE	Pre laminate, .5 x 2.38 x 52"
12. 969622&001212CE	Pre laminate, 2.25 x 24.88"
13. 969622&001312CE	Pre laminate, 2.25 x 24.88"
14. 969622&001412CE	Pre laminate, .5 x 24.81 x 50.44"
15. 969706-16	Drawer box, 5 x 22 x 23.82"
381400-03	Drawer slide, 16"
381228	Catch grabber, 10lb
386572-01	Edgebanding, Planked Urban Oak, 5/8"
386572-02	Edgebanding, Planked Urban Oak, 15/16"
380041	Corner brace, 1"

FURNITURE, LOUNGE

Sofa Base, RS



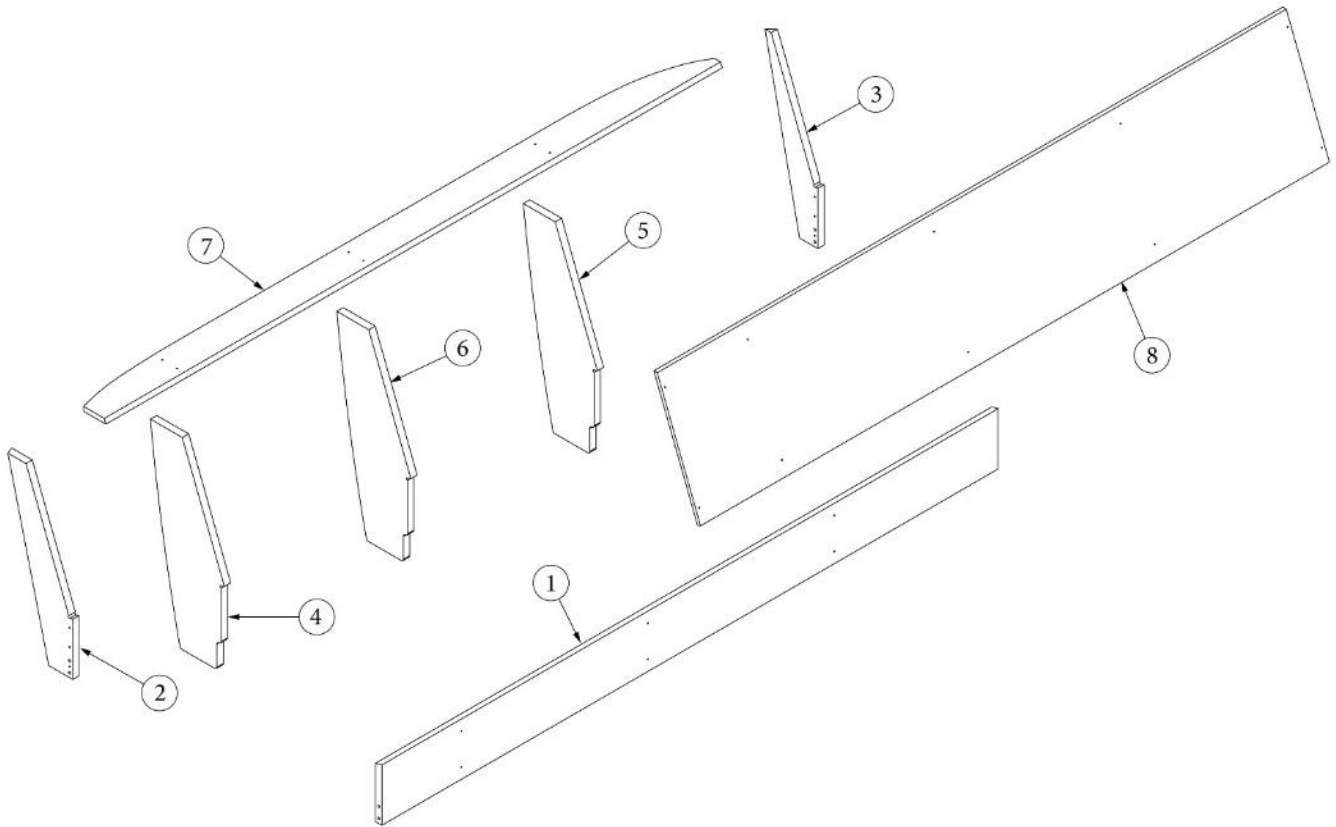
969623

Assy, Sofa Base, RS

1. 969623&000118BE	Pre laminate, .75 x 2.5 x 11.75"
2. 969623&000218CE	Pre laminate, .75 x 34.15 x 11.88"
3. 969623&000318CE	Pre laminate, .75 x 49.3 x 11.88"
4. 969623&000418CE	Pre laminate, .75 x 27.15 x 11.88"
5. 969623&000518CE	Pre laminate, .75 x 25.63 x 11.88"
6. 969623&000618CE	Pre laminate, .75 x 2.88 x 47.8"
7. 969623&000718CE	Pre laminate, .75 x 2.63 x 47.8"
8. 969623&000818CE	Pre laminate, .75 x 2.13 x 47.8"
9. 969623&000912BE	Pre laminate, .5 x 2.5 x 15.44"
10. 969623&001012BE	Pre laminate, .5 x 2.5 x 9.21"
11. 969623&001112BE	Pre laminate, .5 x 2.5 x 6.75"
12. 969623&001212CE	Pre laminate, .5 x 24.75 x 47.56"
13. 969623&001312CE	Pre laminate, .5 x 16.96 x 31.68"
14. 969623&001412CE	Pre laminate, .5 x 2.5 x 14.94"
15. 969623&001512CE	Pre laminate, .5 x 11.88 x 20.38"
16. 969623&002312CE	Pre laminate, .5 x 11.88 x 20.38"
17. 802585-1009	Sofa foot
18. 602394-03	Register, Directional, Black, 4"

FURNITURE, LOUNGE

Sofa Back, Front



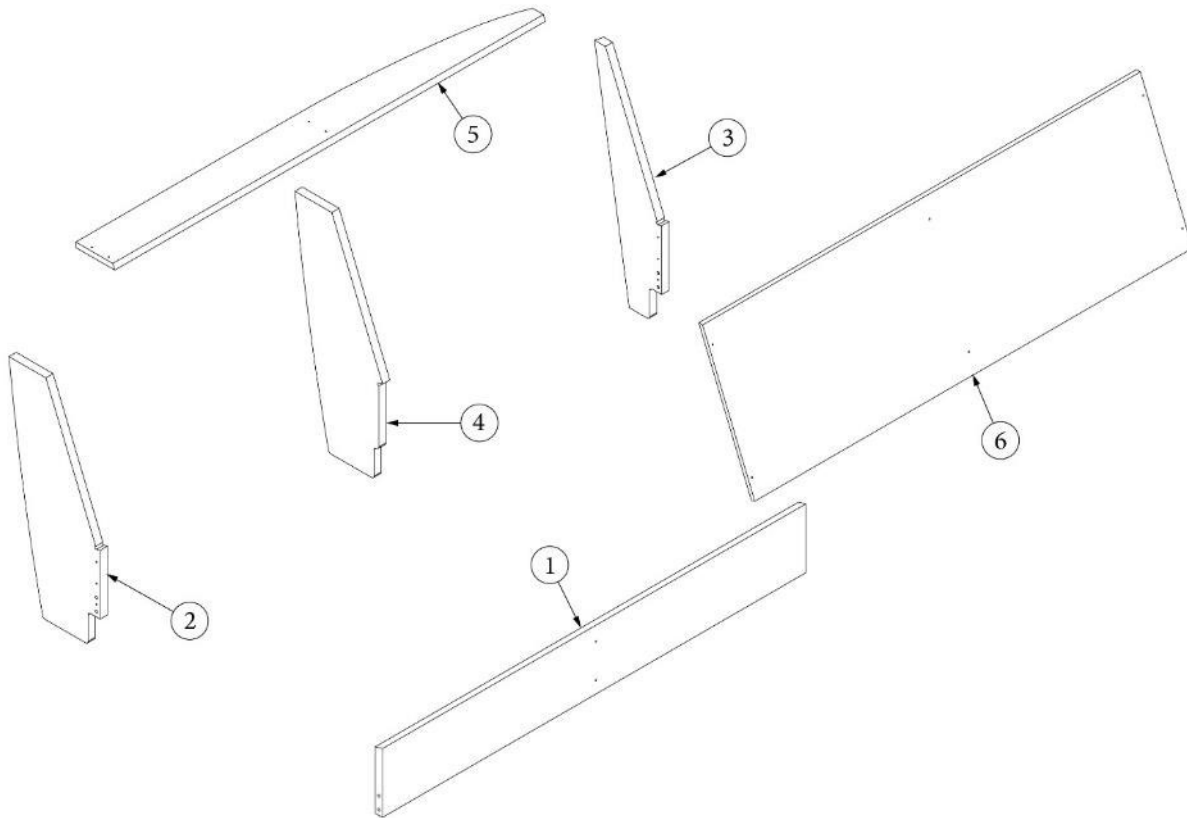
969624

Assy, Sofa Back, Front

- | | |
|--------------------|-----------------------------------|
| 1. 969624&000118CE | Pre laminate, .75 x 6.19 x 73.13" |
| 2. 969624&000218CE | Pre laminate, .75 x 39 x 32" |
| 3. 969624&000318CE | Pre laminate, .75 x 39 x 32" |
| 4. 969624&000418CE | Pre laminate, .75 x 10 x 32" |
| 5. 969624&000518CE | Pre laminate, .75 x 10 x 32" |
| 6. 969624&000618CE | Pre laminate, .75 x 10 x 32" |
| 7. 969624&000712CE | Pre laminate, .5 x 5.26 x 73.13" |
| 8. 800507-03 | Luan, .38 x 14.26 x 74.63" |
| 9. 380041 | Bracket, 90-degree, 1" x 1" |

FURNITURE, LOUNGE

Sofa Back, RS



969625

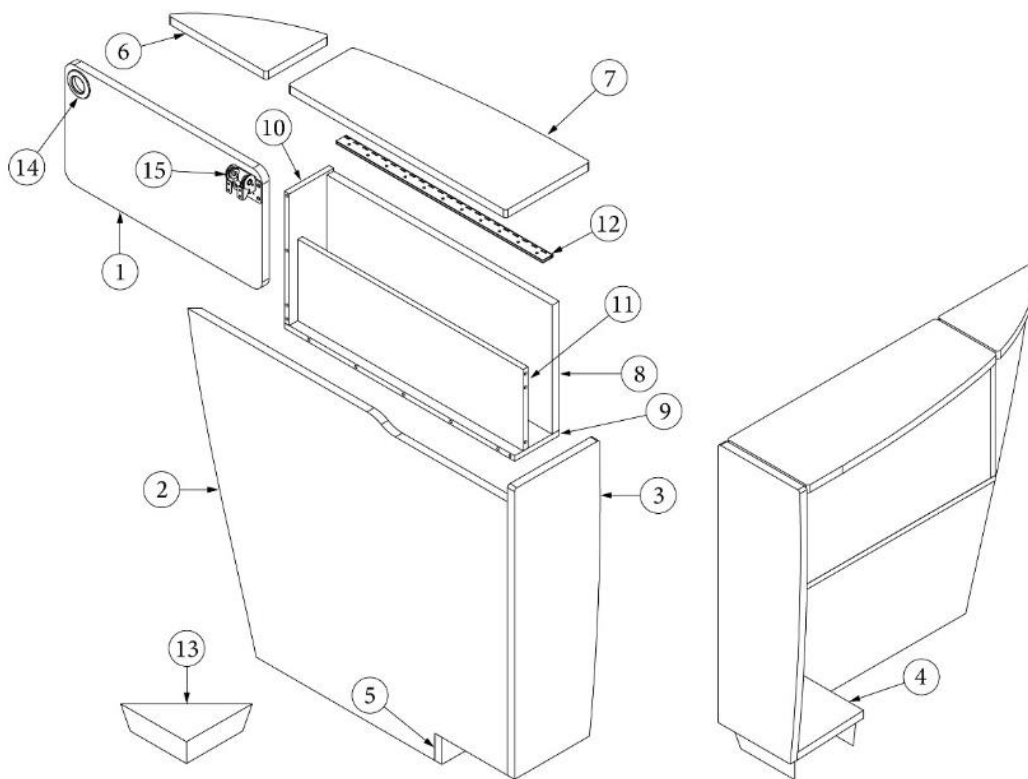
Assy, Sofa Back, RS

1. 969625&000118CE
2. 969625&000218CE
3. 969625&000318CE
4. 969625&000418CE
5. 969625&000512CE
6. 800507-03
380041

- Pre laminate, .75 x 6.19 x 44"
Pre laminate, .75 x 43 x 32"
Pre laminate, .75 x 39 x 32"
Pre laminate, .75 x 43 x 32"
Pre laminate, .5 x 4.13 x 45.75"
Luan, .38 x 14.37 x 45.5"
Bracket, 90-degree, 1" x 1"

FURNITURE, LOUNGE

Sofa Arm



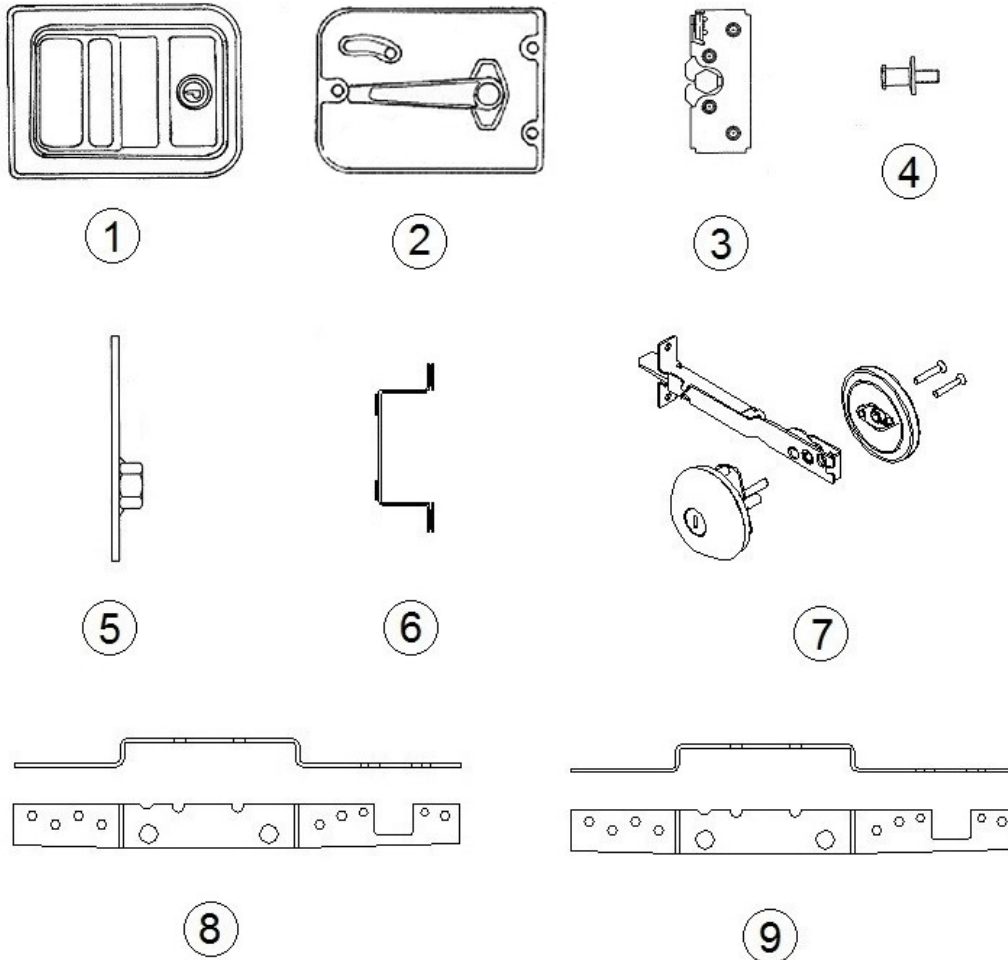
969697

Assy, Sofa Arm

- | | |
|---------------------|--|
| 1. 969697&000118JC | Pre laminate, .75 x 11 x 21" |
| 2. 969697&000218CE | Pre laminate, .75 x 37.63 x 28.5" |
| 3. 969697&000318CE | Pre laminate, .75 x 9.25 x 29.25" |
| 4. 969697&000418CE | Pre laminate, .75 x 7.25 x 7.75" |
| 5. 969697&000518CE | Pre laminate, .75 x 2.5 x 8" |
| 6. 969697&000618CE | Pre laminate, .75 x 7.5 x 10.69" |
| 7. 969697&000718CE | Pre laminate, .75 x 9 x 23.18" |
| 8. 969697&000818CE | Pre laminate, 11.88 x 24" |
| 9. 969697&000912CE | Pre laminate, .5 x 4.75 x 24.5" |
| 10. 969697&001012CE | Pre laminate, .5 x 4.75 x 12.13" |
| 11. 969697&001112CC | Pre laminate, .5 x 7.5 x 24" |
| 12. 380203-02 | Hinge, Piano |
| 13. 802585-1009 | Foot, Sofa |
| 14. 382797 | Finger pull, Matte black |
| 15. 382784 | Hinge, Dual axis |
| 365386-01 | Edgebanding, Linen, .63" |
| 365386-02 | Edgebanding, White Linen, .94" |
| 386572-02 | Edgebanding, Planked Urban Oak, 15/16" |
| 382057 | Knockdown, 8mm |

HARDWARE

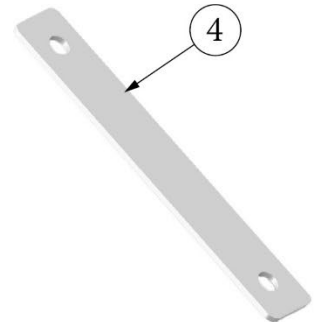
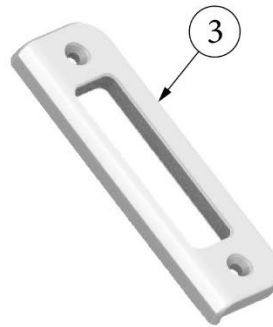
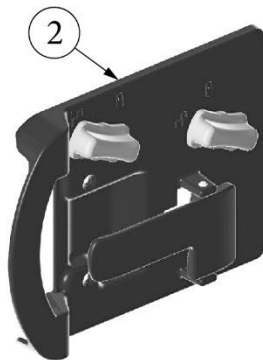
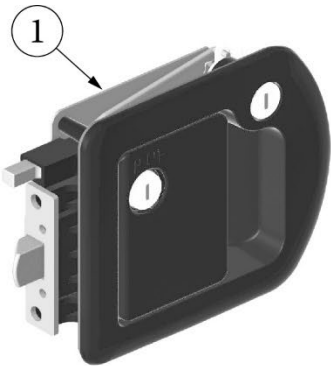
Main Door Lock, LH, Old Style



- | | |
|--|---|
| <ul style="list-style-type: none"> 1. 381547-01 2. 381547-07 3. 381547-03 4. 381547-04 5. 381550 6. 115413 7. 382069 8. 382067 9. 382066 382069-100 381547-102 381547-08 385595 382122 | <ul style="list-style-type: none"> Main door lock, Outside housing Main door lock, Inside plate Double rotary latch, Main door Striker bolt w/washer, Main door lock Plate, Striker bolt mounting Door hat section Deadbolt, Round, Trimark Outer reinforcement plate, RH/LH hinged door Inner reinforcement plate, LH hinged door Deadbolt key, Blank Main door key, Blank Screw package, Main door lock Pocket strike Key chain, Airstream logo |
|--|---|

HARDWARE

Main Door Lock, New Style

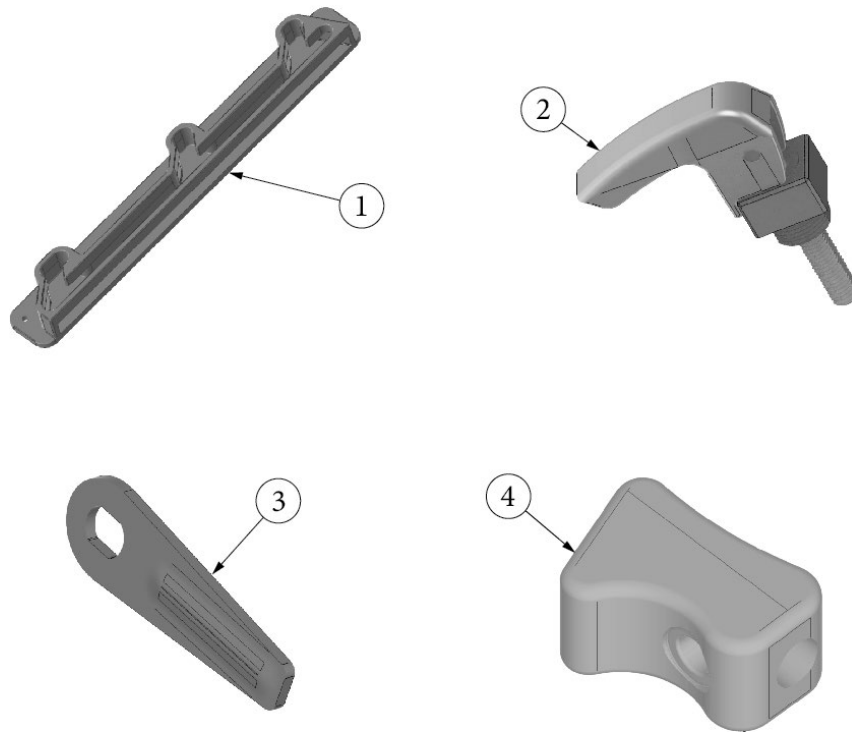


1. 383017-01
2. 383017-02
- 383017-03
3. 116274
4. 116509
- 382122

- Outer Latch Assembly, W/Deadbolt
- Inner Latch Assembly, W/Deadbolt
- Screw Kit, Inside Handle Mounting
- Striker Catch, Main Door
- Backer Plate, Striker Catch, Main Door
- Key chain, Airstream logo

HARDWARE

Window Hardware



- | | |
|--------------|---------------------------------|
| 1. 382360 | Window guide, RH |
| 382359 | Window guide, LH |
| 2. 382367-01 | Lower window latch, Chrome |
| 382367-02 | Lower window latch w/Red handle |
| 3. 115776 | Lock paw, Window latch assembly |
| 4. 380230-03 | Knob, Window arm, Silver |
| 380230-04 | Knob, Window arm, Red |
| 382116-03 | Cap-Screw Rubber 5/32 X .5' |
| 114476 | Hinge, Window, 110" |
| 114479-01 | Bracket, Window closer, RH |
| 114479-02 | Bracket, Window closer, LH |

HARDWARE

Exterior Latches, Locks, and Handles



Parts Listed on Next Page

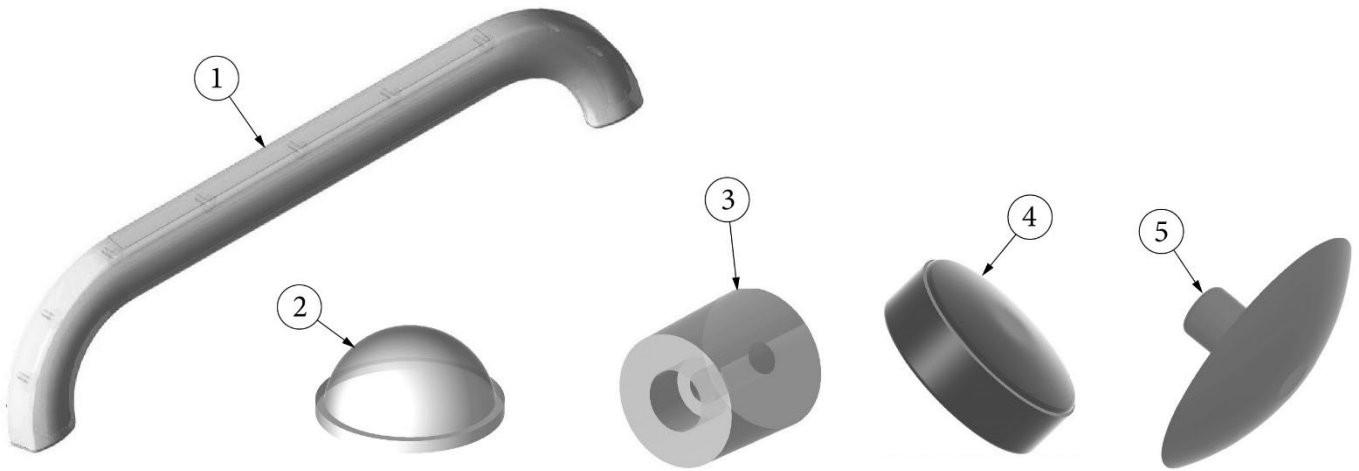
HARDWARE

Exterior Latches, Locks, and Handles

- | | |
|---------------|--|
| 1. 382230-03 | Compression latch, Locking |
| 2. 381021-01 | Rubber T-handle |
| 3. 201056 | Catch, main door hold-back |
| 4. 383024 | Latch, Screen Door, RH |
| 383025 | Latch, Screen Door, LH |
| 383026 | Striker Plate, Screen Door |
| 5. 101171-02 | Grab handle |
| 101171-03 | Grab handle, Raw Aluminum |
| 6. 382074 | Gasket, Main door grab handle |
| 7. 380004 | Handle, Screen door |
| 8. 380291 | Main door hold-back |
| 9. 380290 | Latch housing |
| 10. 382456 | Swell latch |
| 11. 380024 | Support arm, Bumper lid |
| 12. 382562 | Latch, Rubber |
| 13. 382562-01 | Keeper, Rubber |
| 14. 685359 | Rubber receptacle, 1/4 turn latch, Southco |
| 15. 685358 | Stud, 1/4 turn latch, Southco |
| 16. 685362 | Retaining ring, 1/4 turn stud |

HARDWARE

Head knocker, Bumpers, Screw Caps



- | | |
|--------------|------------------------------------|
| 1. 382194 | Head knocker, White |
| 2. 381688 | Bumpon, Clear |
| 3. 381136 | Rubber Bumper |
| 4. 382358 | Screw Cover, Snap cap, Black |
| 5. 381610-01 | Cover cap, Plastic, European White |

Exterior Hinges

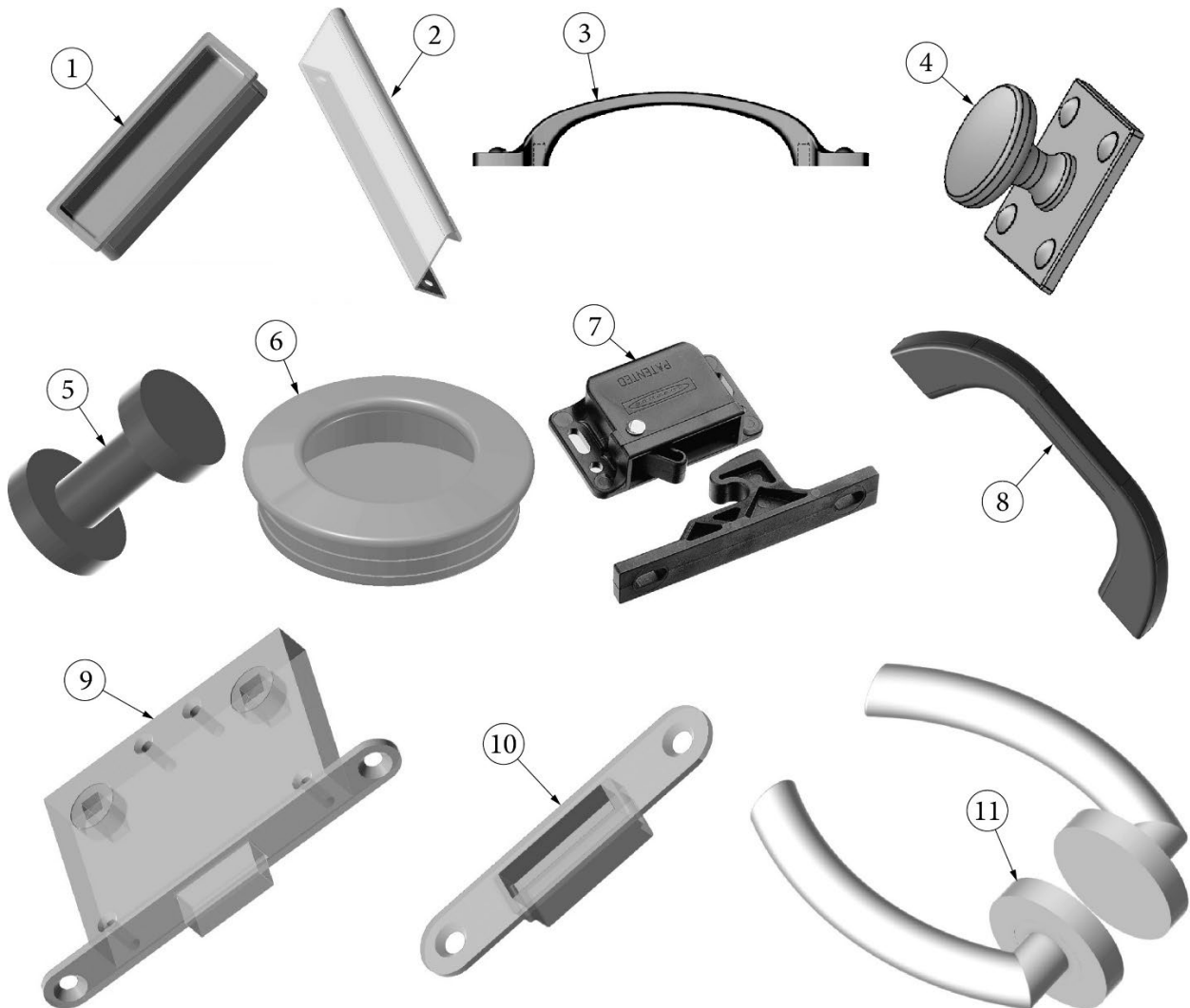
- | | |
|-----------|---|
| 381552-03 | Hinge, Main door, Upper |
| 381552-04 | Hinge, Main door, Lower |
| 380203-01 | Piano hinge, 1/8" Pin, Battery box lid |
| 380203-02 | Piano hinge, Hose carrier lid, 72", Black |
| 380988 | Hinge, Continuous, Refrigerator access door |

Interior Hinges

- | | |
|-----------|---------------------------------|
| 382518 | Piano Hinge, 3" Open, 72" |
| 380203-02 | Piano hinge, Black |
| 380988 | Hinge, Continuous |
| 381607-11 | Hinge, Self-close, 110° overlay |
| 382784 | Hinge, Dual axis |

HARDWARE

Interior Latches, Handles, Hooks



- | | |
|---------------|--------------------------------------|
| 1. 382437 | Pull, Recessed finger, Black |
| 2. 382785 | Pull, Handle, Waterfall, Matte Black |
| 3. 382786 | Pull, Matte black |
| 4. 382787 | Knob, w/Baseplate, Matte black |
| 5. 382788 | Coat hook, Dark bronze |
| 6. 382797 | Pull, Finger, Matte black |
| 7. 381228 | Catch, grabber door, 10lb |
| 381228-02 | Catch, grabber door, 5lb |
| 8. 381737-02 | Grab bar, Interior, Black |
| 9. 383008 | M-Lock Mechanism |
| 10. 383008-01 | M-Lock Striker Plate |
| 11. 383010 | Handle, Matte Black, Low Profile |

HARDWARE

Pottery Barn Goody Box, Queen

998263-20	Pottery Barn Goody Box Kit, Queen
998263-01	Dinnerware, Mason, 16 Piece set
998263-02	Flatware set, Mason, 20 Piece set
998263-03	Marble cheese knives, 4 Piece set
998263-04	Airstream Always Home doormat
998263-05	Airstream salt & pepper set
998263-06	Airstream folding chair, set of 2
998263-07	Airstream folding bistro table
998263-08	Canvas storage bin, 4 each, 12 x 12 x 8"
998263-09	Canvas storage in, 2 Each, 30 x 20 x 5.5"
998263-10	Comforter, Belgian flax, Queen
998263-11	Standard Shams, Belgian Flax, 2 Each
998263-13	Sheet Set & Pillowcases, Queen
998263-15	Throw, Colossal Handknit
998263-16	Cutting Board, Food-Grade Oil

Pottery Barn Goody Box, Twin

998263-21	Pottery Barn Goody Box Kit, Twin
998263-01	Dinnerware, Mason, 16 Piece set
998263-02	Flatware set, Mason, 20 Piece set
998263-03	Marble cheese knives, 4 Piece set
998263-04	Airstream Always Home doormat
998263-05	Airstream salt & pepper set
998263-06	Airstream folding chair, set of 2
998263-07	Airstream folding bistro table
998263-08	Canvas storage bin, 4 each, 12 x 12 x 8"
998263-11	Standard Shams, Belgian Flax, 2 Each
998263-12	Comforter, Belgian flax, Twin, 2 each
998263-14	Sheet Set & Pillowcases, Twin, 2 each
998263-15	Throw, Colossal Handknit
998263-16	Cutting Board, Food-Grade Oil

HARDWARE

Bathroom Accessories

382781	Towel bar, Matt black, 9"
382782	Towel bar, Matte black, 18"
382779	Toilet paper holder
382793	Robe hook
383008	M-Lock Mechanism, Bath Door
383008-01	M-Lock Striker Plate, Bath Door
383010	Handle, Matte Black, Low Profile, Bath Door
455834	Ledge, Formed, bath wall
602896	Assy, Shower hardware, Matte Black

Clothesline

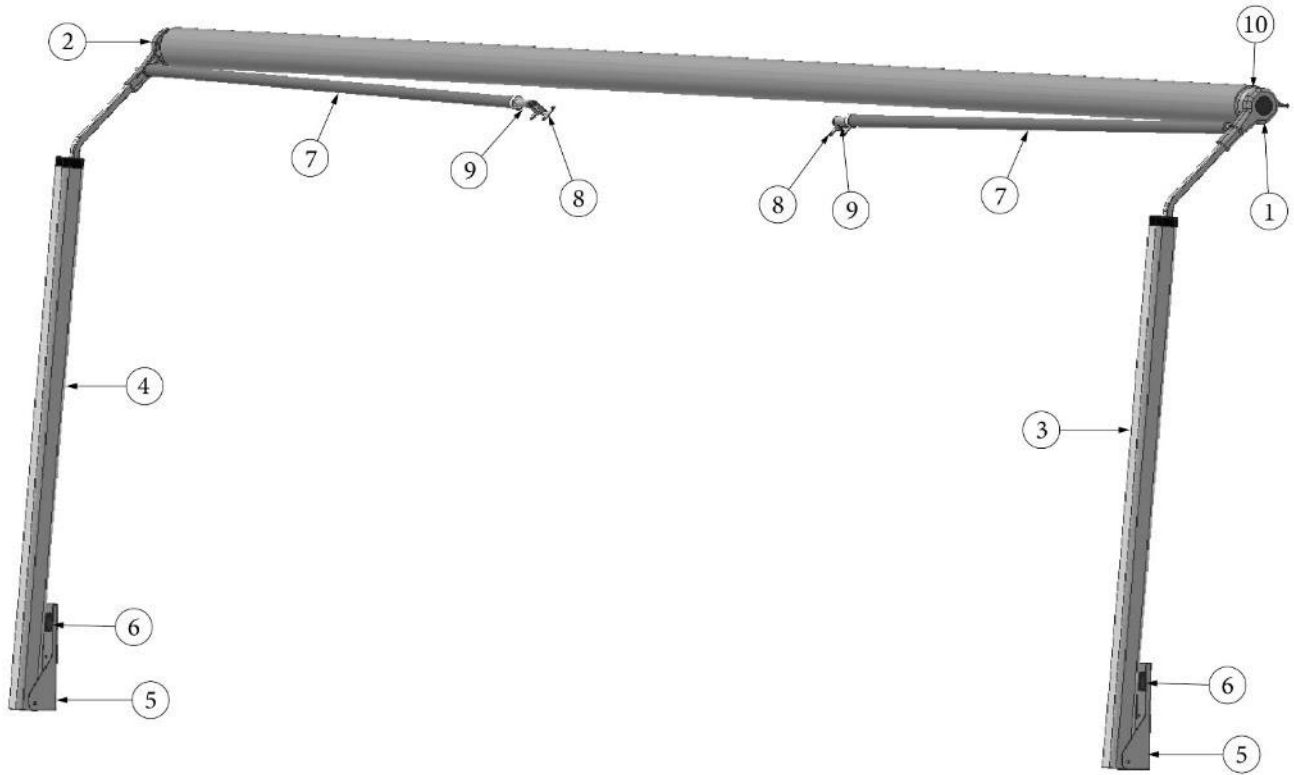
382063	Retractable clothesline
--------	-------------------------

Bed Gas Springs

381067-09	Spring, Gas 90 LBS
382463	Bracket, Upper
382462	Bracket, Lower

HARDWARE

Awning Hardware, Power Awning



704825-02

Awning Hardware Kit

- | | | |
|-----|-------------|----------------------------------|
| 1. | 704049-111 | Head casting, Front |
| 2. | 704049-110 | Head casting, Rear |
| 3. | 704049-100 | Arm assembly, Front |
| 4. | 704049-101 | Arm assembly, Rear |
| 5. | 704049-102 | Hinge assembly |
| 6. | 704049-115 | Tubus Bumper, 6mm mount hole |
| 7. | 704049-108 | Gas rafter assembly |
| 8. | 704049-108B | Bracket, New style |
| 9. | 704049-114 | Universal joint |
| 10. | 704049-106 | Motor assembly, w/Drive adapter |
| | 513100 | Interface Board, Power Awning |
| | 704049-119 | Control board, Wired w/enclosure |
| | 704049-109 | Control board only, Wired |
| | 704049-116 | Spring change |
| | 704049-112 | Emergency kit, Power awning |
| | 704049-113 | Hex head tool |
| | 512649-02 | Ethernet patch cable, Cat5e, 2' |

HARDWARE

Awning Hardware, Other

73376W	Travel latch, Window awning
73376W-100	Loop only, Travel latch
74041W-01	Pull rod, 52"
74095W	Head casting, Window awning
74097W	Support arm, Window awning
74105W	Strap hook, Window
74108W	Spring, Window awning, 2-1/4"
74109W	Spring, Window awning, 2-1/2"
74094W	Idle end assembly
74055W	Base hinge, Triangular
74055W-01	Base hinge, Rectangular
74001W-02	Awning Tube, 2-1/2"
74001W-03	Awning Tube, 2-1/4"

HARDWARE

Rivets

325001-01	Rivet, Anodized Clear, 1/8 x 5/16"
325002-01	Rivet, Anodized Clear, 1/8 x 3/8"
325003-01	Rivet, Anodized, Clear, 1/8
325004-01	Rivet, Anodized, Clear, 1/8 x 1/2"
325035	Rivet, Chicago
325044-01	Rivet, Solid BR head, 1/8 x 5/8"
325134	Rivet, Blind dome, 1/8"
330142	Rivet, Pop, Open end, Aluminum, 3/16"
325103-01	Rivet, Pop, Anodized Clear, 3/16"
330011	Rivet, Blind, Black
330038	Rivet, Grip Blind, 5/32" 188-.250
330031-01	Rivet, 3/16 x 5/8"
330151	Rivet, Multi Grip, Blind, 5/32"
330155	Rivet, Aluminum w/Stainless Steel mandrel, .125"
330156	Rivet, Black, Pop, #44
330157	Rivet, Oval, Tubular, 11/32"
330127-05	Rivet, AD45ABS, 1/8"
330126-02	Rivet, Pop, SSD43SSBS
330126-03	Rivet, Pop, SSD44SSBS
330137-02	Rivet, Blind pop, Black
330139-01	Rivet, Magnalok SS, 1/4"

HARDWARE

Screws

320005	Screw, Sheet metal, 8 x 1BH
320006	Screw, Panhead, Zinc, Sofa arm, #8 x 3/4"
320035	Screw, Pan head, Phillips, Wood, Awning #8 x 1/2"
320078	Screw, 8 x 3/8"
320111	Screw, Awning, #8-18 x 3/4"
320116-04	Screw, Sheet metal, Panhead, Black, #8
320166	Screw, Zinc, #8 x 1"
320214	Screw, Plastic tap, #8 x 3/4"6
320229	Screw, #8-32 x 3/8"
320238	Screw, Wood, Flat head, Zinc, Sofa arm, #8 x 3/4"
320244	Screw, Panhead, Phillips, #8 x 1/2"
345276-04	Screw, Hex HD cap, 1/4-20 x 1"
345181	Screw, Self-tapping, 1/4-14 x 2"
345355	Screw, PH FH, #8 x 3/4"
345468-01	Screw, #12 x .625, PH, Black, TV bracket
345558	Screw, #8-32 x .5, PH, Black, Windows
345473	Screw, #6 x .75, Self-drilling, Taillights
345073-08	Screw, .25-20 x 1.375, Phil, Wafer HD, Floor
345084	Screw, .25-14 x 1 thread cutting, solar panel install
381607-04	Screw, Hinge
382562-02	Screw, #2 x 5/8"

SAFETY EQUIPMENT

Detectors and Fire Extinguishers

510781	Smoke detector
690381-02	Fire extinguisher

LABELS AND TAGS

Labels and Tags, USA

386119	Label, "Don't Use Area for Storage"
386118	Label, LP Gas Warning/Fill
385521	Label, Emergency Egress Window
386122	Warning Label, Cooking Appliance
385465	Exit Label, English
385560	Label, Air Conditioner Rating
386120	Label, Smoke Detector
385359	Label, Microwave or Air Conditioner
385837	Label, Refrigerator Ignition
386123	Label "Potable Water Only"
386114	Label, Rvia Silver
385062	Decal, 110-125 Voltage AC
385565	Label, Holding Tank Flushing
385941	Label, Wastewater holding tank
385942	Label, Sewage holding tank
385943	Label, Cap must be in place
386012	Label, Water heater
386192	Hang, Tag, Smoke/Co Detector Battery
386193	Label, Wheel Torque Warning
385020	Sticker, Self-Adhering, "Jack"
386098	Label, Fuse, 12V.
386226	Label, RV Master Weight Label
386110	Label, Ok to Ship Inspected
386121	Label, "If You Smell Gas"
386267-01	Front Label, Power Awning Cable
386267-02	Rear Label, Power Awning Cable
386284	Warning label, "Do not use a dolly wheel"
386301	Warning label, Window Glass
386302	Label, Cooktop
386303	Warning label, Surface Cleaning
386560	Label, Smart Unit Cerbo GX
386367	Label, Smart Unit Battery Heater

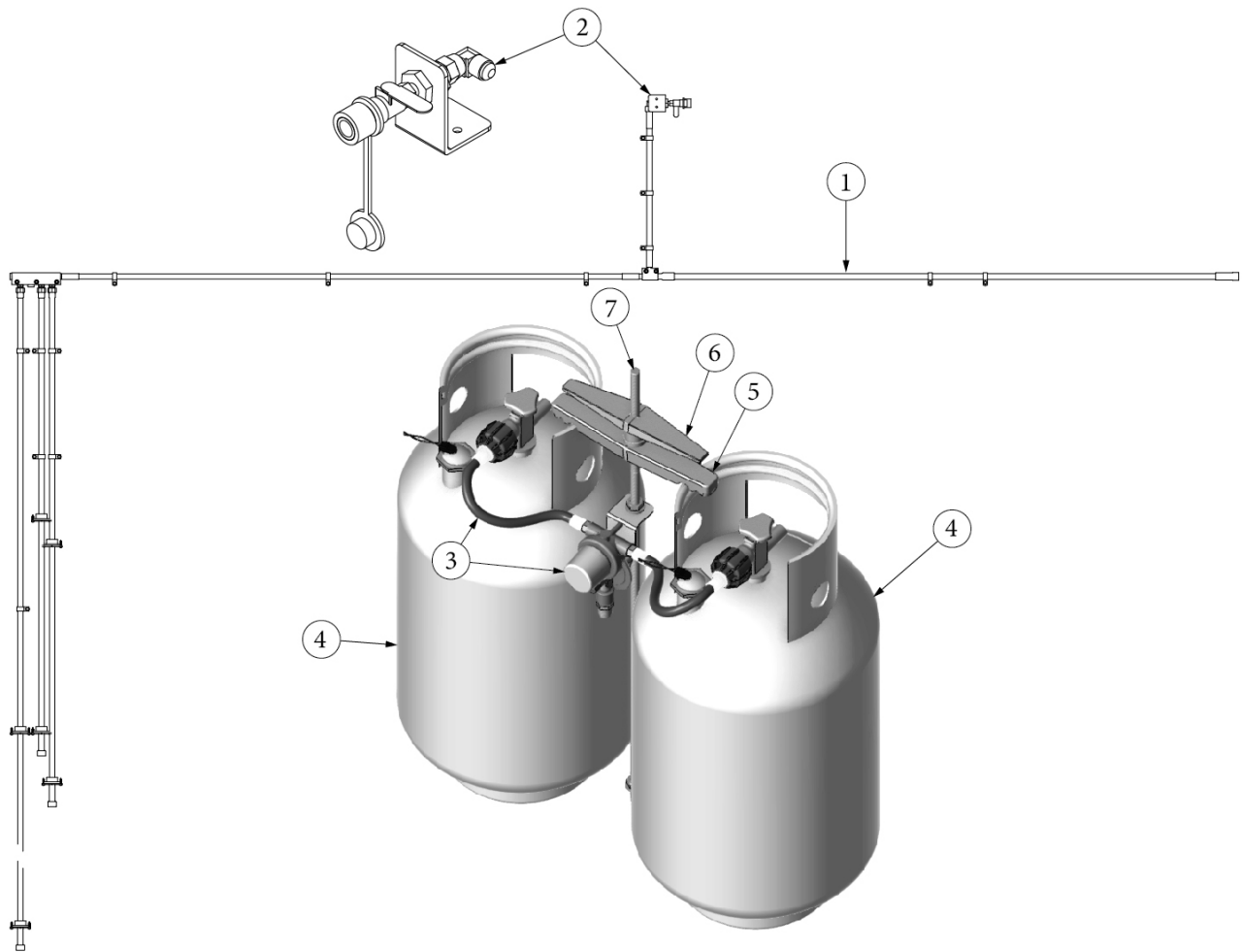
LABELS AND TAGS

Labels and Tags, CSA

385950	Label, "Smoke Detector"
385951	Label, "Range Fresh Air"
385952	Label, "LP Warning"
385953	Label, "If You Smell Gas"
386120	Label, Smoke Alarm Warning
386118	Label, LP Gas Tri-warning
386121	Label, "If You Smell Gas"
386122	Label, "Comfort Heating"

PLUMBING, LPG SYSTEM

LPG System



113653
113718-03

Install, LP System
Install, LP Tanks/Regulator, 30lb, Aluminum, w/Gauge

- | | |
|--------------|---|
| 1. 943961 | Assy, LP flex line |
| 2. 602465 | Exterior propane port assembly |
| 3. 602870 | Regulator, LP gas, Dual 11" pigtailed |
| 4. 601711 | Tank, LP Cylinder, Aluminum, with Gauge |
| 5. 100949 | Bracket, Gas Bottle |
| 6. 410238 | Wingnut, LP Bottle |
| 7. 345375-08 | Threaded Rod, 1/2-13 x 30.5" |
| 350132 | Flange nut, Serrated, 1/2-13 UNC |
| 382556 | LP closeout |
| 512412 | Bushing, Snap-in, .75 ID |

PLUMBING, LPG SYSTEM

LPG Tank Cover

921260	Assembly, LP Bottle Cover
115288-01	Wrapper, LP Bottle Cover
382562	Latch, Rubber
382562-01	Keeper, Rubber
382562-02	Screw, Rubber Latch
921257-01	Cross Bar Assembly
114070	Extrusion, J-trim, Mill Finish
380988	Hinge, Continuous, .5" x 18"
200845-02	Lid, LP tank cover

PLUMBING, FRESH WATER SYSTEM

Faucet, Galley

602868 Galley faucet, Single handle, Spring spout, Matte black

Faucet, Lavatory

602867 Lavy faucet, Single handle, Matte black

Faucet, Shower

602896 Shower Kit, Matte Black

602896-100 Shower Drain, From Kit 602896

602896-101 Handheld Shower Head, .75 GPM

PLUMBING, FRESH WATER SYSTEM

City Water Hook-Up

601392-06 City water hook-up w/regulator, 50 PSI, Chrome
601392-01 Plastic screw in cap

Fresh Water Tank Fill

601194 Water fill w/lock, Gray
601194-02 Cap, cable, and spout
601239-01 Tubing, 1.375" ID, Ribbed
601240-01 Tubing, .5" ID, 3/32" wall thickness

Water Pump and Controller

602307 Shurflo water pump, 3 GPM
601668-01 Strainer, Water pump
602986 IRVWPC Water Pump Controller
602986-100 IRVWPC2 Module For 602986
602986-101 Wire Assembly For 602986
602986-102 Pressure Sensor For 602986
602986-103 Pressure Sensor Fitting For 602986
602986-1030 Flat Gasket Washers

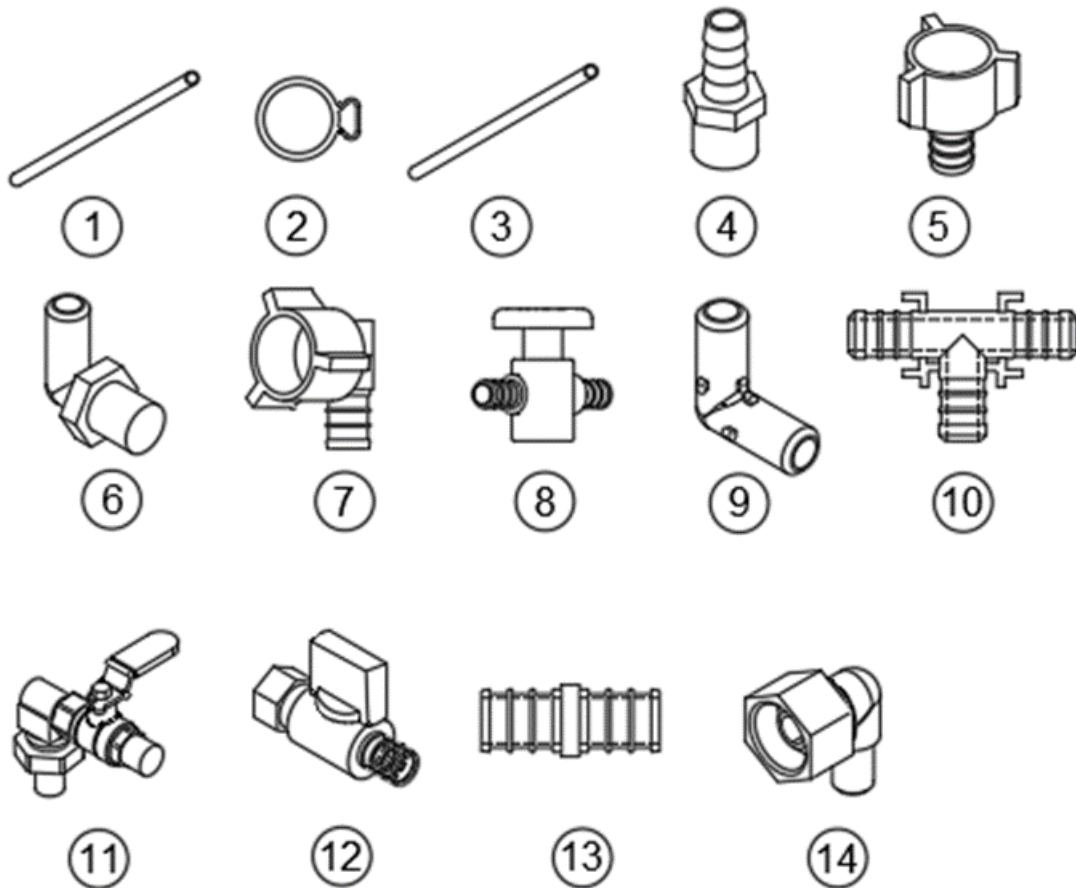
PLUMBING, FRESH WATER SYSTEM

Fresh Water Tank

113568	Install, Fresh Tank
601863-01	Tank, Fresh water, 39 gallons
602520	Pan, Fresh water tank
602185-01	Drain valve, 90°
602905	Ball valve, Nickel Plated
601723	Filter screen
513494-05	Tank Monitor, NMEA2000
514051-01	Senser Pad, Seelevel
365493	Protective Gasket, Sensor pad
512565	Harness, 3 Tank Interface
600103	Spring, SS, 10"
601239-01	Tubing, Ribbed water fill hose, 1.375" ID
601240-01	Tubing, 1/2" ID
601237	Elbow, 90°, 1-1/4"
601295	Plug, 1-1/4"
602256-04	Elbow, Poly, .5" barb, .5" MPT
602256-10	Elbow, 90°, Poly
200507	Styrofoam, 1 x 25 x 55"
200152	Styrofoam, .5 x 6 x 42"

PLUMBING, FRESH WATER SYSTEM

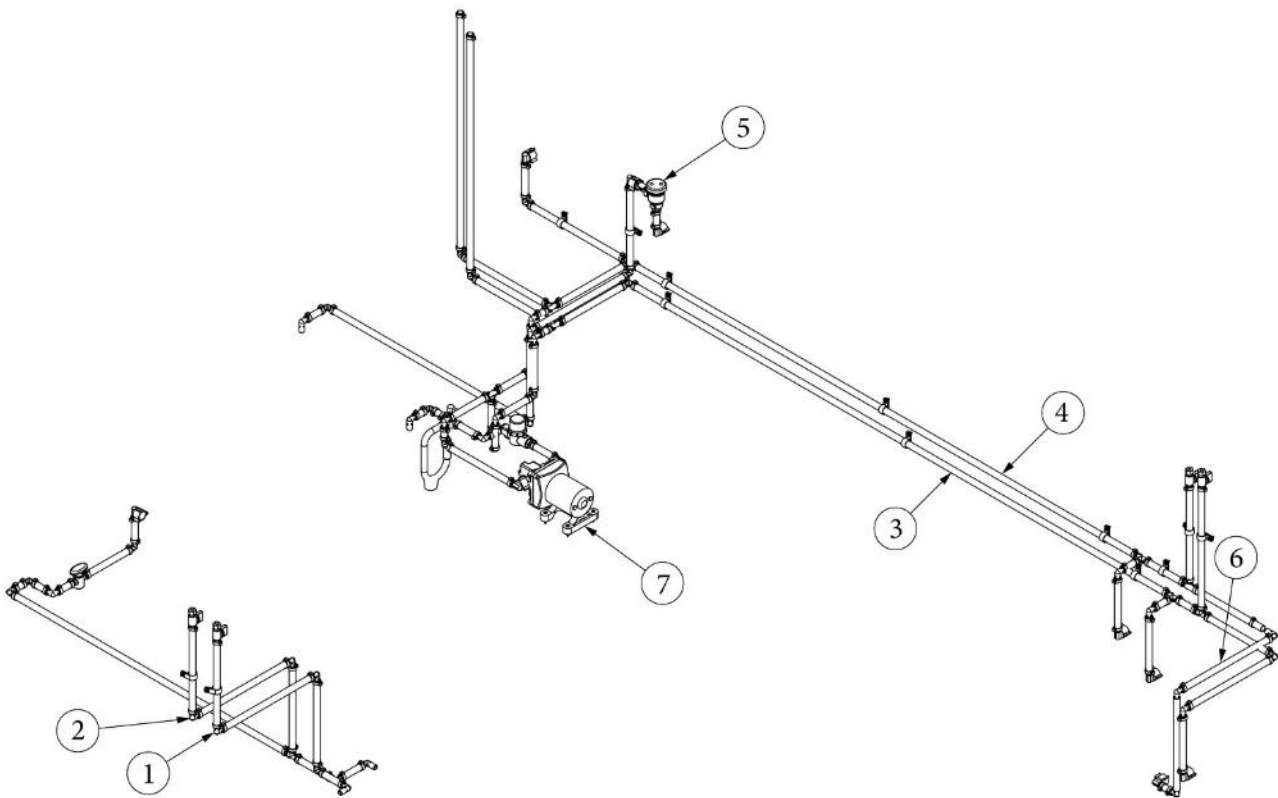
Fresh Water Fittings



- | | |
|---------------|-------------------------------------|
| 1. 601698-01 | E-Pex tube, 1/2" |
| 2. 601698-15 | Crimp ring, 1/2" E-Pex, 1/2", Black |
| 3. 601698-21 | E-Pex tube, 1/2", Red |
| 4. 602256-02 | Coupler, 1/2" barb x 1/2" MPT |
| 5. 602256-03 | Coupler, 1/2" barb x 1/2" FPT |
| 6. 602256-04 | Elbow, 1/2" barb x 1/2" MPT |
| 7. 602256-05 | Elbow, 1/2" barb x 1/2" FPT |
| 8. 602256-22 | Valve, .5 barb x .5 straight |
| 9. 602256-10 | Elbow, 1/2" barb x 1/2" barb |
| 10. 602256-11 | Tee, 1/2" x 1/2" x 1/2" |
| 11. 602185-01 | Drain valve, 90° |
| 12. 602137 | Valve-Shut Off .5"B x.38"Comp |
| 13. 602256-08 | Coupling-Poly .5 Barb |
| 14. 602669 | Valve-Brass Elbow #26585 |

PLUMBING, FRESH WATER SYSTEM

Fresh Water Lines



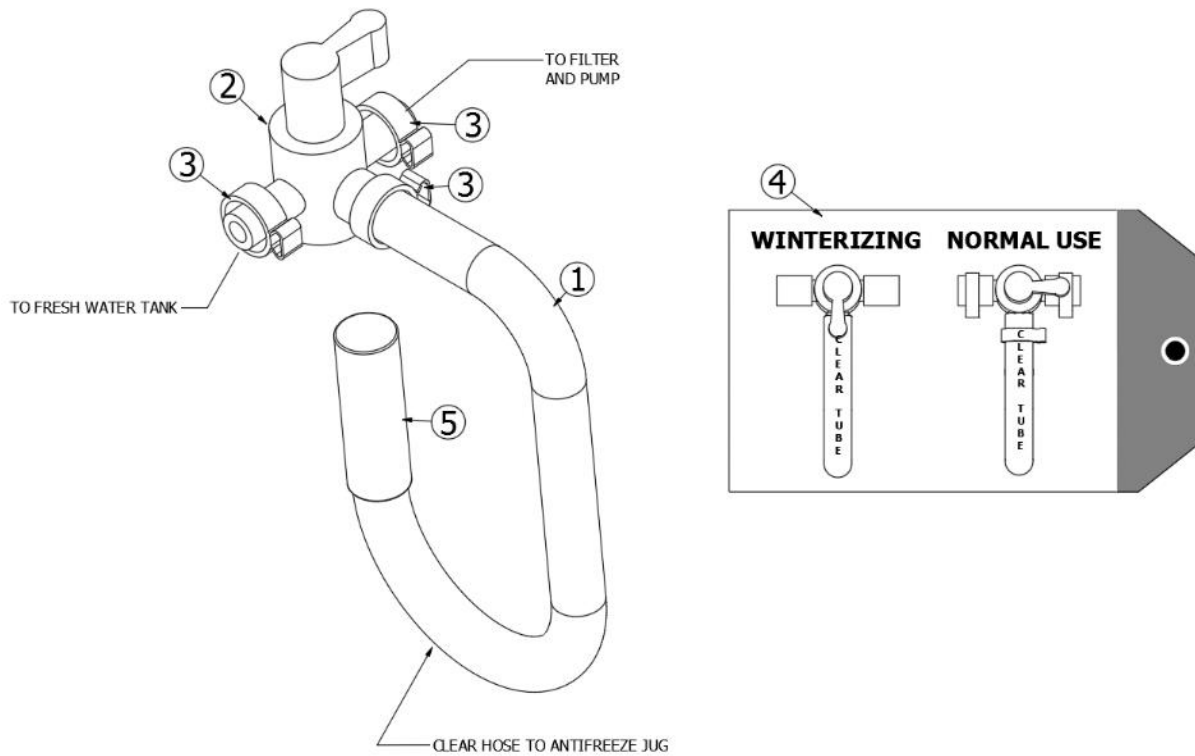
113651

Install, Fresh Water System

- | | |
|-----------|--------------------------------------|
| 1. 943964 | Layout, CS hot |
| 2. 943965 | Layout, CS cold |
| 3. 943966 | Layout, RS hot |
| 4. 943967 | Layout, RS cold |
| 5. 943968 | Layout, Tank flush |
| 6. 943969 | Layout, Water heater |
| 7. 943970 | Layout, Water pump connect |
| 602137 | Valve, shut off |
| 602256-22 | Valve, Poly, .5" barb x .5" straight |
| 601441-02 | Check valve, Breaker, CSA Required |
| 602307 | Water pump, Shurflo, 3GPM |
| 601668-01 | Vacuum filter, Water pump, Shurflo |

PLUMBING, FRESH WATER SYSTEM

Winterization Kit



112814

Winterization Kit Installation

1. 601240-01
2. 602711
3. 601698-15
4. 365453
5. 602801

Tubing 1/2 I.D. X 3/32 Wall Thick
Valve-3 Way Bypass .5" PEX #32788
1/2 CRIMP RING #14785
Tag-Instruction - Winterization Kit
Cap, 5/8" ID, Winterization Kit

PLUMBING, DRAIN SYSTEM

Black and Grey Tank

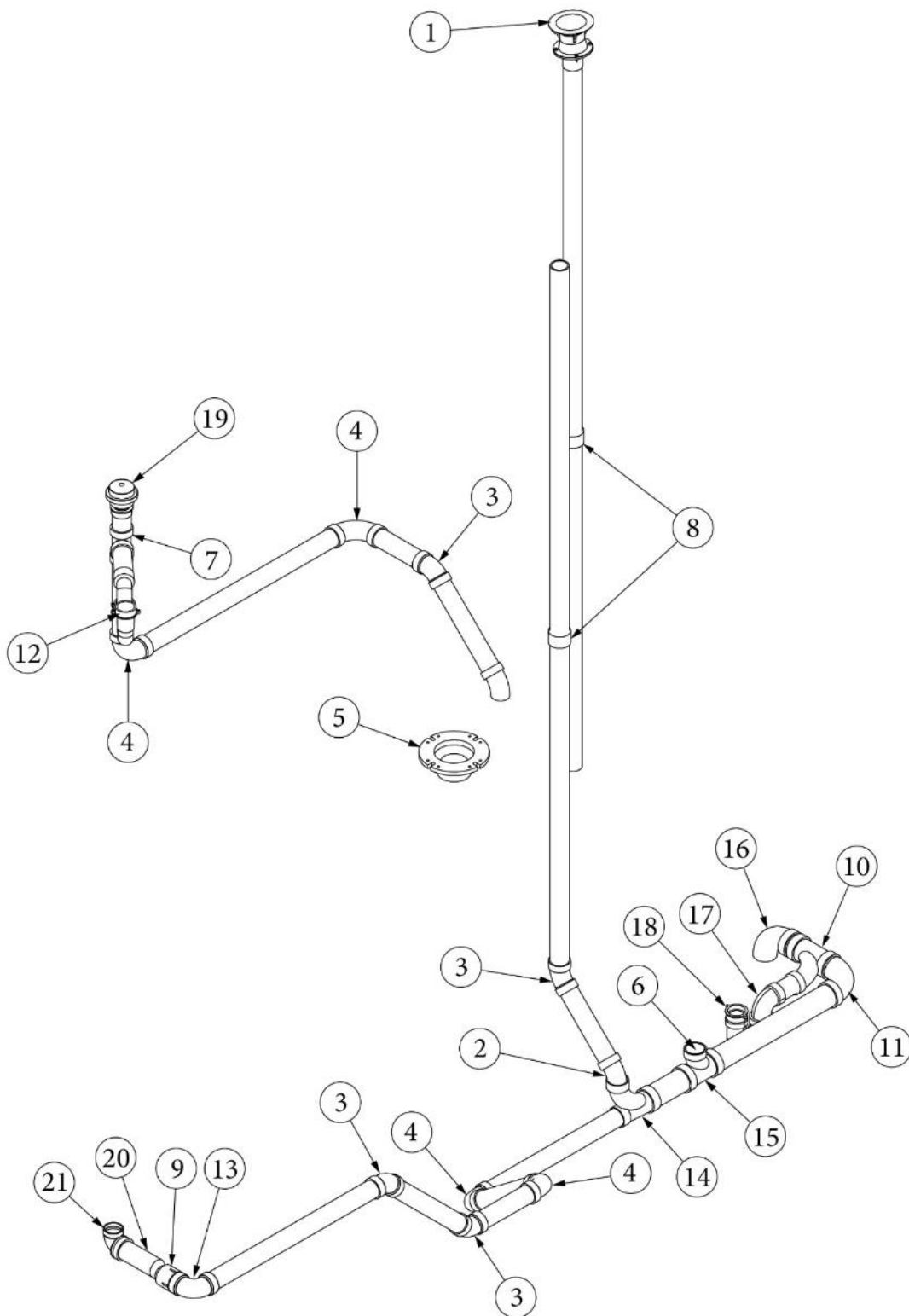
113569	Install, Black & Grey Tank
601889-05	Black Tank
601890-02	Grey Tank
601895	Pan, Black and Grey Tank
514051-09	Tank Sensor, Seelevel
601228	Closeout, Pan
195329-229	Reducer Adapter
340092	Clamp, T-Bold, 3-5/8" x 3-15/16"
454178-01	Tank Strap, 51.38"
454178-02	Tank Strap, 50.19"
454178-05	Tank Strap, 48.69"
454178-06	Tank Strap, 47.875"
602256-02	Adapter, Male, Poly, .5 Barb x .5 MPT
200152	Styrofoam, .5 x 6 x 42"
200954	Styrofoam, 1 x 22.75 x 55"

Dump Valve

943621	Assy, Dump Valve
601482	Dump valve, Rotating Assy
600431	Elbow, 90-degree, 1-1/2"
600820	Single socket, 90-degree, 3"
600183	Elbow, long sweep, 3"
601160-02	Pipe, ABS, 1-1/2"
601160-04	Pipe, ABS, 3"

PLUMBING, DRAIN SYSTEM

Drain, Above Floor



Parts Listed on Next Page

PLUMBING, DRAIN SYSTEM

Drain, Above Floor

113659	Install, Drainage System
943971	Layout, Above Floor Drain
1. 109067	Vent pipe cover
2. 600027	Elbow, ABS, Long sweep, 45°
3. 600030	Ell, ABS, 45°, Long turn
4. 600035	Ell, ABS, Long sweep, 1.5"
5. 600065	Flange, Floor threaded
6. 600155	Cleanout plug, 1.5"
7. 600156	Tee, Sanitary
8. 600227	Plastic coupling
9. 600308	Adapter, ABS female sloan
10. 600318	Wye, Long turn, 2 x 2 x 1.5"
11. 600372	Elbow, 90°, 2"
12. 600622	P-trap, 1.5" w/slip nut & washer
13. 601636	Elbow, Short sweep, 90°
14. 602072	WYE, 2 x 2 x 1.5"
15. 602073	Fixture tee, 2 x 2 x 1.5"
16. 602112	Elbow, 90°, Short sweep, 2"
17. 602164-01	P-trap w/compression nut, 1.5"
18. 602164-02	Tailpiece w/nuts & washers, 1.5"
19. 602306	Valve, 2" air admittance
20. 690603-03	Waste valve, Hepvo, Hygienic
21. 690603-02	Adapter, Angle, Hepvo
601160-02	Pipe, ABS, DVW, 1-1/2"
601160-03	Pipe, ABS, DVW, 2"

PLUMBING, TOILET

Toilet

690621	Toilet, China white
600065	Flange, floor
602137	Shut off valve

SEALERS AND GASKETS

Sealers

360001	Sealant, Butyl
360209	Sealant, Seam
360180	Sealant, Sika-Flex, Gray
365330-01	Sealant, RTV silicone, White
365330-02	Sealant, RTV silicone, Gray
365330-03	Sealant, RTV silicone, Aluminum Gray
365330-04	Sealant, RTV silicone, Black
365233-01	Sealant, 100% silicone, Clear
28433W	Walbernize Super Seal
28430W-01	Sealant, Acryl-R, Gray, 16 oz. can

Gaskets

365232	Gasket, Main door
382117	Gasket, Window seal
382737	Gasket, compartment door
365016	Tape, Foam, Double face, .5" wide
685510	Seam tape, Rubber, Black
365001	Tape, Double coated foam
382074	Gasket, Main door grab handle
365367	Automotive foam tape
365336-07	Gasket, Lower awning, foot
382337	Gasket, Corlon vent cap

SEALERS AND GASKETS

Gasket Kits

- 365527 Gasket Kit, Awning, Includes:
- Gasket, Awning Lockdown (AS5 & AS7 Kit)
 - Gasket, Lower Awning Foot (AS7)
 - Gasket, Lower Awning Foot (AS5 Kit)
 - Gasket, Awning Foot (Rear w/Pan kit)
 - Gasket, Awning Travel Latch
 - Gasket, Prop Foot Gasket
 - Gasket, Awning Hook
 - Gasket, Awning Lockdown
 - Gasket, Power Awning Main Support
 - Gasket, Power Awning Bracket
 - Gasket, Classic Center Post
- 365528 Gasket Kit, Wall Mechanicals, Includes:
- Gasket, Water Heater
 - Gasket, City Water Fill
 - Gasket, Exterior Shower
 - Gasket, Black Tank Flush
 - Gasket, Range Vent
 - Gasket, Gravity Water Fill
 - Gasket, Power/Tv Inlet
 - Gasket, Power Jack Switch
 - Gasket, Outdoor Receptacle
 - Gasket, Step Light
 - Gasket, Water Heater Vent
 - Smart RV Wi-Fi Skin Antenna Gasket
 - Seal, Water Fill Door Interior
 - Seal, Water Fill Door 2
 - Seal, Exterior Shower Door
 - Seal, Door Interior
- 383013 Gasket Kit, Roof Top, Includes:
- Gasket, Exhaust Fan
 - Gasket, Tank Vent
 - Gasket, Solar Panel Feet
 - Gasket, Solar Port, Merlin
 - Gasket, Bath Exhaust Fan
 - Gasket, Wi-Fi Pre-Wire
 - Gasket, King Omni Pro Antenna

BEDDING, PILLOWS

Pillow Kits

704894	Pillow Kit
704894-1	Pillow shams, Bedroom, Woven path, Twilight, 24 x 20"
704894-2	Lumbar pillows, Bedroom, Painted texture, shell, 20 x 12"
704894-3	Toss pillows, Lounge, Weekend stripe, Seagrass, 18 x 18"
704894-4	Toss pillows, Lounge, Seri Basket, Chambray, 18 x 18"
998263-11	Standard Shams, Belgian Flax, 2 Each

Mattress and Bedspread

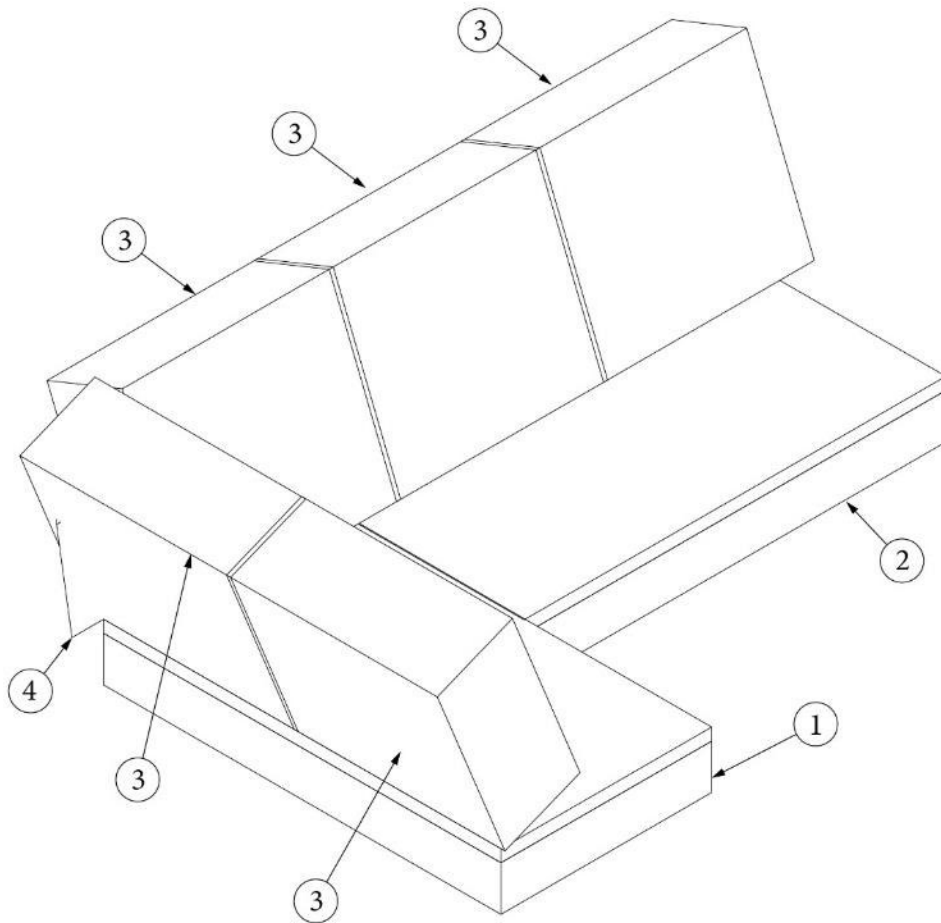
704497	Mattress, Queen
704498-01	Mattress, Twin, CS
704498-02	Mattress, Twin, RS
998263-10	Comforter, Belgian flax, Queen
998263-13	Sheet Set & Pillowcases, Queen
998263-12	Comforter, Belgian flax, Twin, 2 each
998263-14	Sheet Set & Pillowcases, Twin, 2 each
998263-15	Throw, Colossal Handknit

UPHOLSTERY

Dinette Cushions

704885	Dinette Cushion Kit
704885-1	Dinette seat, Rear
704885-2	Dinette seat, Forward
704885-3	Dinette back, Forward
704885-4	Dinette back, Rear

Sofa Cushions



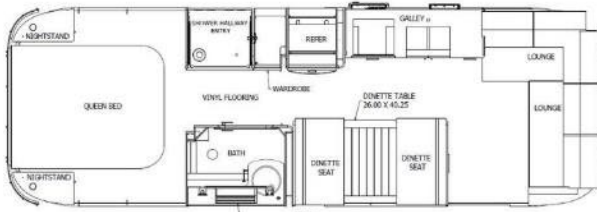
704886 Sofa Cushion Kit

1. 704886-1	Sofa seat, RS
2. 704886-2	Sofa seat, Front
3. 704886-3	Cushion, Sofa back
4. 704886-4	Corner wedge, Sofa

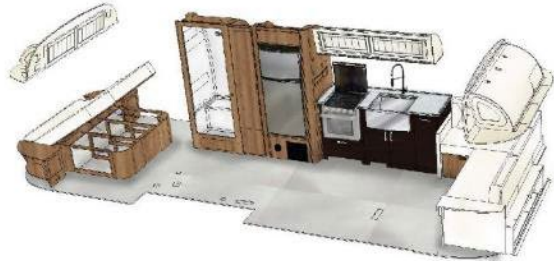
DECOR BOARDS

Decor Board, Laminate, Surface

AIRSTREAM X POTTERY BARN



28RB POTTERY BARN - QUEEN FLOOR PLAN



28RB POTTERY BARN - TWIN FLOOR PLAN



Main Laminate: 802581
(vertical grade)
Name: Countryside Oak from Decotone
PB Name: 'Light Seadrift'
Where used: Main Furniture & panels

Horizontal Laminate: 802581-01
Where used: Tops of Lavy, Nightstands, Airplane table top within sofa arm



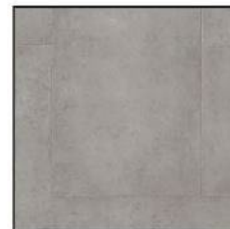
Galley Accent Laminate: 802580 (vertical grade)
Name: Blackened Legno from Formica
PB Name: 'Blackened Oak'
Where used: Galley ONLY



Galley Solid Surface: 602863
Name: Mt. Carrara by Meganite
PB Name: 'Mt. Carrara'?
Where used: Galley Countertop



Roof Locker: 802574 (kerf-core locker face) 969641 ASSY
Name: Smoky White from Nevamar
PB Name: 'Dutch White'
Where used: All Roof Locker Faces



Vinyl Flooring: 704892
Name: Bowen-Silver 38311 by Tarkett
PB Name: 'Bowen-Silver'?
Where used: Flooring throughout



Hardwood Locker Bead-board Doors: 802575 969641 ASSY
Match to Smoky White
PB Name: 'Dutch White'
Where used: All Roof Lockers, 2 per Locker



Chalkboard Laminate: 802604
Name: Black Chalkable
PB Name: ?
MNF: Formica
Where used: Riveted insert on inside of entry door

DECOR BOARDS

Decor Board, Galley

AIRSTREAM X POTTERY BARN



Galley Faucet: 602868
Description: Gourmetier LS8770CTL Continental Single-Handle, Pre-Rinse, Spring Spout Kitchen Faucet, Matte Black
MNF: Kingston Brass



Galley Sink: 602464
Description: 23" X 16-1/2" X 7", 21 ga Single Bowl Sink With Straight Apron, Stainless Steel
MNF: Dehco



APPLIANCES
Conv Micro: 690734
Description: Convection Microwave, 1.1 CUF
MNF: Furrion/Contour

NOT PICTURED LARGER
Norcold Refer: 690771-01
Description: 8.2 CUF, LH Hinge



Refer Panel - Knife Block: 802570
 Modified Cubbies in Refer panel for Knife Storage Block & Spice Racks
SEE: 969647 Refer Panel ASSY



Walnut Flat-Grain Butcher Block Sink Cover: 802572 with PB logo engraving & finger-hole
Where used: Galley Sink Cover on Stainless Steel Apron-Front Sink
****NEEDS STOWED IN WARDROBE OR LOUNGE DRAWER FOR TRANSIT****



Walnut, Flat-Grain Breadboard: 802573, bottom side shown facing upward, fits on top of 204261 poly board into drawer slides in galley cabinet, above trash can
Where used: Galley Cabinet, above Trash Can Receptacle



Small Key Hooks: 382788
Where used: Galley End Cap & CS Bedroom Wall in Queen

These parts are being developed specifically for Pottery Barn for the proto unit we will only have 3D printed knobs & backplates while tooling is being made—estimated tooling samples mid-to-late May 2021



Hardware Pulls: 382786 & Hardware Knobs with Backplates: 382787
Counts: Queen

Pulls: 4 galley, 1 bedroom base, ***ABOVE REFER changed to Edgepull 382785**
 Knobs: 2 nightstands, 1 lavy cab door

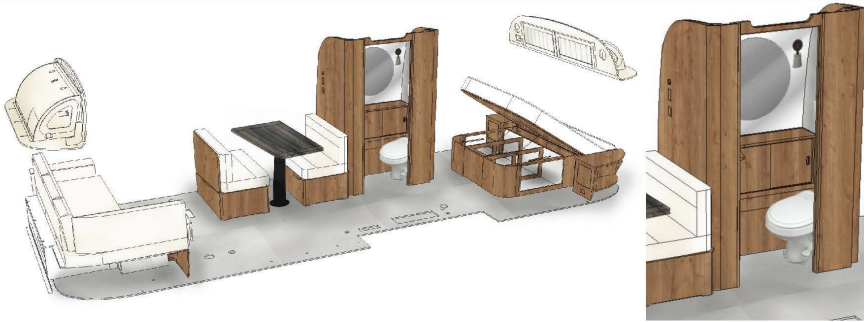
Counts: Twin

Pulls: 4 galley, 6 bedroom (2 hang wardrobe, 4 bed bases), ***ABOVE REFER changed to Edgepull 382785**
 Knobs: 1 nightstand, 1 lavy cab door

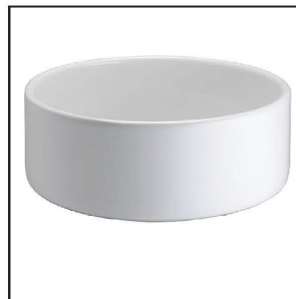
DECOR BOARDS

Decor Board, Bath, Fixtures

AIRSTREAM X POTTERY BARN



Lavy Faucet: 602867
Description: Fauceture LS8230DL Concord Single-Handle Vessel Faucet, Matte Black
MNF: Kingston Brass / Treaty Supply



Lavy Vessel Sink: 602862
Description: Vessel Sink, Annod



Tile Accent Laminate: 802470
Name: Subway Tile
Where used: 2 Accent Lavy Walls Only



Pop-Up Drain for Vessel Sink: 602799



Bath Sconce Lighting: 513928
Custom developed to 12V for PB lavy
MNF: Dave Carter
Where: Mounted on aluminum, both sides of 20" round mirror in lavy



20" Diameter Round Mirror with 1/4" flat polished edge: 371482
 See 969661 ASSY
Description: 20" diameter Back-lit/Stand-off Mirror with operable 2-shelf medicine cabinet
MNF: CMG



DECOR BOARDS

Decor Board, Bath, Shower

AIRSTREAM X POTTERY BARN



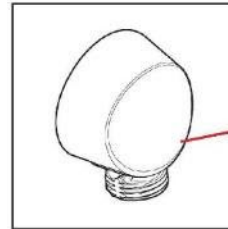
602896 Shower Kit :
Gibson Matte Black Posi-Temp® Valve Trim
MNF: Moen/Treaty Supply
Moen Part Number:
T2901BL



602896 Shower Kit :
Moen Wrought Iron Shower Hose
MNF: Moen/Treaty Supply
Moen Part Number:
A726WR



602896 Shower Kit :
Moen Matte Black Round Handshower Wand
MNF: Moen/Treaty Supply
Moen Part Number:
155891BL
****NO push button / pause on shower wand****



602896 Shower Kit :
Moen Wrought Iron Circular Drop Ellbow for hose (2.4" L X 1.7" W X 2.5" H)
MNF: Moen/Treaty Supply
Moen Part Number:
A725WR

Need Rubber gasket to secure to Fiberglass wall in shower



602896 Shower Kit :
Moen Wrought Iron Handshower Bracket
MNF: Moen/Treaty Supply
Moen Part Number:
114348WR



602896 Shower Kit :
Sink Plug With 3-Prong Strainer in Matte Black
MNF: TTTT (Trim To The Trade) / Treaty Supply
TTTT Part Number:
4T-240-20



602896 Shower Kit :
Moen Parts- Matte Black, installed image
MNF: Moen/Treaty Supply



Shower Door: 704897
Oil-rubbed Bronze (looks black) Frame with Reeded Glass
MNF: SEA/Praxis
Where: RS Shower

DECOR BOARDS

Decor Board, Bath Hardware

AIRSTREAM X POTTERY BARN



18" Towel Bar: 382782
Moen Triva 18" Bar in matte black
MNF: Moen/Treaty Supply
Moen Part Number: BP1818BL
Where: tile-wall behind toilet- towards rear



9" Hand Towel Bar: 382781 Moen Triva 9" hand towel bar in matte black
MNF: Moen/Treaty Supply
Moen Part Number: BP1886BL
Where: tile-wall FWD



Toilet Paper Holder: 382779 Moen Triva Single-Post Design TP Holder
MNF: Moen/Treaty Supply
Moen Part Number: BP1808BL
Where: Exterior of lavy cab



Robe Hook: 382793 Moen Triva Robe Hook
MNF: Moen/Treaty Supply
Moen Part Number: BP1803BL
Where: Small jut-out lam wall, above toilet



Formed Ledge-Bath Wall: 455834
MNF: Shaffer Metal
Where: Aluminum wall off-set towards rear under 20" medicine cabinet mirror



Bath Door Latch Kit: 382783
Matte Black finish
MNF: Baldacci



ASS'Y Bath Door with Port-hole: 969658
Utilize: 365249 TAPE ONLY FOR GLASS ASSY, NO SCREWS OR RIVETS



Bath Glass ASS'Y: 969658 / 372321
Reeded Glass-204259
Matte Black Frame-372321
****MATTE BLACK IS CORRECT FINISH FOR FRAME****

365249 TAPE ONLY FOR GLASS ASSY, NO SCREWS OR RIVETS



DECOR BOARDS

Decor Board, Lounge, Dinette

AIRSTREAM X POTTERY BARN



Sofa Cushion Kit: 704886

Fabric: 704895 Performance Boucle, Oatmeal

SEE: 113622 Sofa ASSY

Description:

- Sofa seats are constructed using Marshall units (pocketed spring coils) within the foam cushions
- Sofa backs are loose filled granulated foam to replicate down fill
- 969622 Pull-out drawers have fabric wrapped fronts ***SOFA DOES NOT FORM INTO A BED***

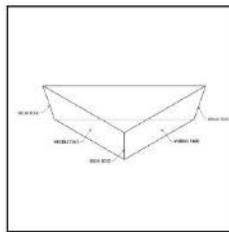
MNF: Kinninger's for cushion kit

****Fire Extinguisher installed on dinette base near entry****

Photos for references only



Fabric: 704895 Performance Boucle, Oatmeal
Where used: Lounge cushion kit, lounge wrapped parts, dinette cushion kit, headboard in bedroom



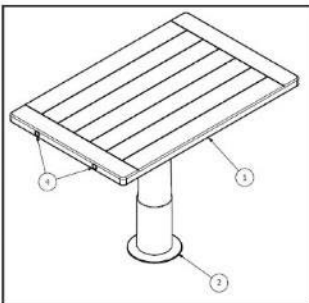
Hardwood Sofa Feet: 802585
Color Match: Blackened Legno
Where used: 3 each bottom, outward-facing corners of sofa



Lounge Sconce Lighting: 513927
Custom developed to 12V for PB lounge
MNF: Dave Carter
Where: In front end ears, either side of end liner locker in lounge



Airplane Table in CS Sofa Arm: 969697
Fabric: 704895 Performance Boucle, Oatmeal
Laminate: 802581-01 Countryside Oak HORZ
Where: CS Sofa Arm



Hardwood Dinette Tabletop: 969632 ASSY
Color Match: Blackened Legno
ADD 2 BOLTS PER TOP ON AISLE FACING SIDE: 320234, pre-drilled holes per Eckhart
Top: 802571
Telescoping Table Leg: 382777
PB Name: 'Blackened Oak'
Where used: Dinette



Dinette Cushion Kit: 704885
Fabric: 704895 Performance Boucle, Oatmeal
SEE: 969651 AFT & 969652 FWD* - Dinette Seat Base ASSY's
MNF: Kinninger's for the cushion kit

*969652 Dinette Base, features pull-out drawer with 382785 edge pull

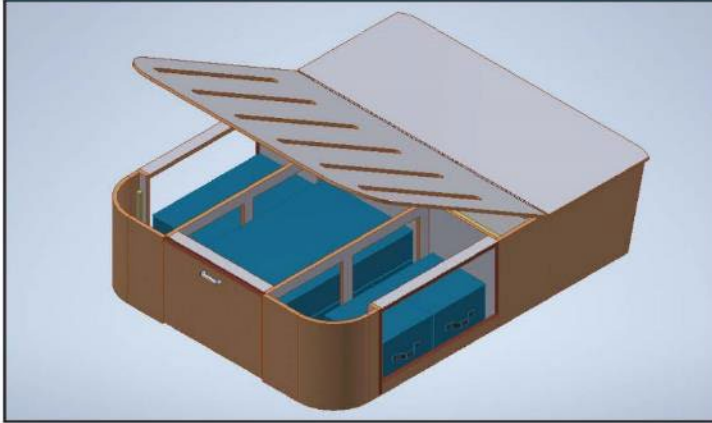


Edge pull, matte black: 382785 by Schwinn
Where: FWD Dinette Seat Base Pull-Out drawer, RS Wardrobe Door AND above Refer in main aisle-way

DECOR BOARDS

Decor Board, Bedroom

AIRSTREAM X POTTERY BARN



New Under bed Storage with Canvas Bins

Airstream 'Essential' Canvas Bins:

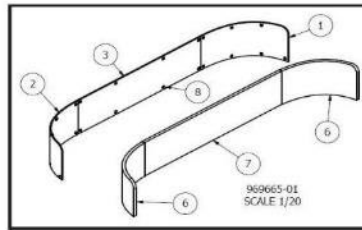
998263-08 | 12W x 12D x 8HT

998263-09 | 30W x 20D x 5.5HT

SEE: 998263-TAB Pottery Barn Goody Box Kit



Fabric: 704895 Performance Boucle, Oatmeal
Where: Lounge cushion kit, lounge wrapped parts, dinette cushion kit, head-board(s) in bedroom



Fabric-Wrapped Head-board(s): 969665
 -01: Queen
 -02: Twin
 Wrapped in 704895 Performance Boucle

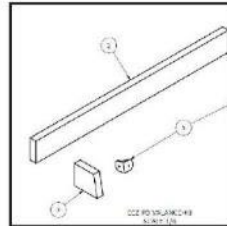


Roman Shades in 704896 Emery Drape fabric:

- 704900-01 Lounge (Small) 1 per unit
- 704900-02 Dinette Windows 2 per unit
- 704900-03 RS/CS Bedroom 2 per unit

Include In-House Made Fabric Wrapped Valances:

- SEE 113743 INSTALL
- 969693-01 Dinette Valance 72.50" W - 1 per unit
 - 969693-02 Bdrm Valances 37.50" W - 2 per unit
 - 969693-03 Lounge Valance 24.50" - 1 per unit



Valances: Made in-house, wrapped in 704896 Emery Drape
 SEE 113743 INSTALL

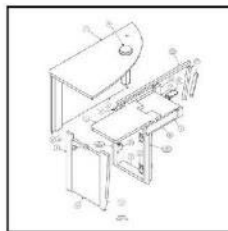
Where: All Windows and Panos except Galley, galley remains standard Dometic roller 703700-02



Surface-Mounted Table Lamp on Nightstands:

513929
 Custom developed to 12V for PB bedroom
MNF: Dave Carter
Where: Surface-mounted on each nightstand

- 1 for queen
- 2 for twin



Nightstands with pull-out Breadboard:

969649: RH
 969650: LH
Where: Queen Bedroom
 *Power Outlet Pop-up shown above
****NOTE KNOB WITH BACKPLATE IS INSTALLED OFFSET, TOP CORNER 1/4 OF DOOR****



Fabric: 704896 Emery Drape, Oatmeal
Where: Panos, Divider Curtains, All Roman Shades and Valances

DECOR BOARDS

Decor Board, Lighting

AIRSTREAM X POTTERY BARN

Lighting Re Engineered to 12V specs within unit—include slanted backplates on sconces to allow lighting to fit curvature of shell



Lounge Sconce Lighting:
513927

Custom developed to 12V for PB lounge

MNF: Dave Carter

Where: In front end ears, either side of end liner locker in lounge
• 2 per unit



Bath Sconce Lighting:
513928

Custom developed to 12V for PB lavy

MNF: Dave Carter

Where: Mounted on aluminum, both sides of 20" round mirror in lavy
• 2 per unit



Surface-Mounted Table Lamp on Nightstands:
513929

Custom developed to 12V for PB bedroom

MNF: Dave Carter

Where: Surface-mounted on each nightstand
• 1 for queen
• 2 for twin



Reading Lights: 513930

Matte Black

MNF: ITC

Where: On underside of end liner overhead lockers (bedroom & lounge)
• 4 per unit



Galley Puck Lights:
513942

Matte Black

MNF: ITC

Where: On underside of galley overhead lockers
• 2 per unit

Other decorative lighting within unit

DECOR BOARDS

Decor Board, Pillow kits, Divider Curtains

AIRSTREAM X POTTERY BARN

ITEMS

PART NO.	LOCATION	ITEM	DESCRIPTION	FABRIC NAME-COLOR	KIT CONTAINS
704894-1	BEDROOM	PILLOW SHAMS	24" X 20" SHAMS	WOVEN PATH-TWILIGHT	2
704894-2	BEDROOM	LUMBAR PILLOWS	20" X 12" LUMBAR PILLOWS	PAINTED TEXTURE-SHELL	2
704894-3	LOUNGE	TOSS PILLOWS	18" X 18" TOSS PILLOWS	WEEKEND STRIPE-SEAGLASS	2
704894-4	LOUNGE	TOSS PILLOWS	18" X 18" TOSS PILLOWS	SERI BASKET-CHAMBRAY	2
704894-5	ALL PILLOWS	LABEL	ADDED LABEL, SEE BELOW	FROM PB VENDOR AVERY-DENNISON	8

REVISIONS

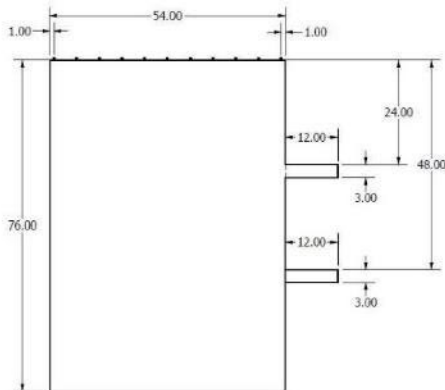
NO.	DATE	DESCRIPTION	BY
1	01/11/2022	ISSUED FOR PURCHASE	MM

704894

Pillow Kit: 704894

PILLOW KIT - SOFT GOODS PB-28RB

PART NO.	LOCATION	ITEM	DESCRIPTION	FABRIC NAME-COLOR	KIT CONTAINS
704894-1	BEDROOM	PILLOW SHAMS	24" X 20" SHAMS	WOVEN PATH-TWILIGHT	2
704894-2	BEDROOM	LUMBAR PILLOWS	20" X 12" LUMBAR PILLOWS	PAINTED TEXTURE-SHELL	2
704894-3	LOUNGE	TOSS PILLOWS	18" X 18" TOSS PILLOWS	WEEKEND STRIPE-SEAGLASS	2
704894-4	LOUNGE	TOSS PILLOWS	18" X 18" TOSS PILLOWS	SERI BASKET-CHAMBRAY	2
704894-5	ALL PILLOWS	LABEL	ADDED LABEL, SEE BELOW	FROM PB VENDOR AVERY-DENNISON	8



704898

DIVIDING CURTAIN WITH (2) TIE-BACKS
 FINISH SIZE: 54.00"W x 76.00"HT
 10 CLEAR GLIDES SPACED 1" FROM EACH END AND EQUALLY ALONG TOP EDGE (APPROX. 5.2" SPACING)
 FABRIC PATTERN: 704896 EMERY DRAPE, COLOR: OATMEAL

SEWING INSTRUCTIONS

2 - SIDED CURTAIN - WITH 1.00" TURNED OVER/FINISHED EDGE
 TIE-BACKS @ 12.00" LONG X 3.00" WIDE

FIRST USAGE: POTTERY BARN MY2022 - 28RB

54"W DIVIDER CURTAIN - POTTERY BARN	
UNIT	QUANTITY IN EACH UNIT
PBN 28RB	(2) EA - FRONT & REAR

DECOR BOARDS

Decor Board, Pottery Barn Goody Box

AIRSTREAM X POTTERY BARN



Pottery Barn Goody Box Contents Listing: 998263-20 Queen and 998263-21 Twin - 1 per unit

998263-20 Queen PB Goody Box Kit:

- 998263-01- 1 Each- Mason Dinnerware: 16 Piece Set
- 998263-02- 1 Each- Mason Flatware Set: 20 Piece Set
- 998263-03- 1 Each- Marble Cheese Knives: 4 Piece Set
- 998263-04- 1 Each- Airstream Always Home Doormat
- 998263-05- 1 Each- Airstream Salt & Pepper Set
- 998263-06- 1 Each- Airstream Folding Chair Set Of 2
- 998263-07- 1 Each- Airstream Folding Bistro Table
- 998263-08- 4 Each- 12x12x8 Canvas Storage Bin
- 998263-09- 2 Each- 30x20x5.5 Canvas Storage Bin
- 998263-10- 1 Each- Belgian Flax Queen Comforter
- 998263-11- 2 Each- Standard Shams: Belgian Flax
- 998263-13- 1 Each- Queen Sheet Set & Pillowcases
- 998263-15- 1 Each- Colossal Handknit Throw
- 998263-16- 1 Each- Cutting Board Food-Grade Oil

998263-21 Twin PB Goody Box Kit:

- 998263-01- 1 Each- Mason Dinnerware: 16 Piece Set
- 998263-02- 1 Each- Mason Flatware Set: 20 Piece Set
- 998263-03- 1 Each- Marble Cheese Knives: 4 Piece Set
- 998263-04- 1 Each- Airstream Always Home Doormat
- 998263-05- 1 Each- Airstream Salt & Pepper Set
- 998263-06- 1 Each- Airstream Folding Chair Set Of 2
- 998263-07- 1 Each- Airstream Folding Bistro Table
- 998263-08- 4 Each- 12x12x8 Canvas Storage Bin
- 998263-12- 2 Each- Belgian Flax Twin Comforter
- 998263-11- 2 Each- Standard Shams: Belgian Flax
- 998263-14- 2 Each- Twin Sheet Set & Pillowcases
- 998263-15- 1 Each- Colossal Handknit Throw
- 998263-16- 1 Each- Cutting Board Food-Grade Oil

DECOR BOARDS

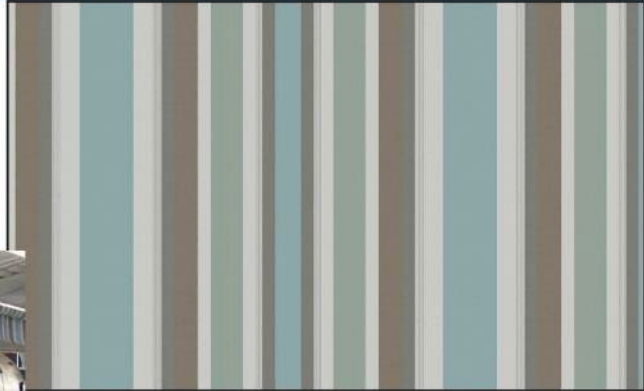
Decor Board, Exterior Elements

AIRSTREAM X POTTERY BARN

Pottery Barn Awning

- 704825-16 – Power Awning – 18’ 5-1/4” – 2339 Dayren
- 704826-42 – Window Awning – 18’ 6-1/4” – 2339 Dayren
- 704816-43 – Rear Window Awning – 52-5/8” – 2339 Dayren

No embroidery, 6” drop, Pottery Barn exclusive fabric ‘re-colored’ specifically for awning application.
Custom Sunbrella fabric ~ proprietary to PB



PDTB56655GM Aluminum Wheels



Pottery Barn Badge
(Earlier version badge is pictured, but is correct color)



Party Ledge: 113712 Install

Specific piece exclusive to Pottery Barn unit, serves as exterior dining / serving piece on CS of unit.

Top created with same Blackened Oak laminate as utilized on galley. Matte black, formed stainless 3/4 diameter arms with a collar at the table surface.

To remove the arms from the top there is a simple release button on the back of each of the arms. Very light for lifting out of the window frame.

Stows in rear exterior storage compartment (both twin and queen), with a separate padded storage case for the arms

VENTS, FANS, SKYLIGHTS

Vent, Black Tank

690700-01	Vent pipe cover, White
382337	Gasket, Corlon, Vent Cap
383013	Gasket Kit, Roof Top

Vent, Bath

514039	Maxxfan, Dome Plus
690266-08	Trim ring, Silver
383013	Gasket Kit, Roof Top

Exhaust Fan

513172	Exhaust vent, Fantastic fan
513172-100	Fan motor, Exhaust fan
513172-101	Lift motor, Exhaust fan
513172-102	Screen pop, Lock, Exhaust fan
513172-103	Trim ring, Grey, Vent
513172-104	Fan blade, Exhaust fan
383013	Gasket Kit, Roof Top

Heat Duct

600193	Heat duct, Flex, 2"
600247	Heat duct, Flex, 4"
600526	Duct flange, 4"
114079	HVAC Reducer, 4" x 2"
601348	Tee, Galvanized, 4 x 4 x 2"
690429	Louver, Black, Round, 2"
602394-03	Register, Directional, Black, 4"

VENTS, FANS, SKYLIGHTS

Skylight, Forward

381318-05	Skylight, 19.5" x 19.5"
704120-02	Shade, Skylight, 19.25 x 20, Grey
116355	Assembly, Skylight frame, 19" x 19"

Skylight, Aft

381318-06	Skylight, 14.5 x 22.5
704120-01	Shade, Skylight, 14.5 x 22.75, Grey
116356	Assembly, Skylight frame, 14" x 20"

PANELING, EDGEBANDING, LAUAN

Paneling

802581	Pre laminate, Countryside oak, Main laminate
802581-01	Pre laminate, Countryside oak, Horizontal grade
801355-01	Laminate, Vertical, Frosty White
801809	Laminate, Vertical, White Liner
801703	Pre laminate, 12mm, Frosty White/White
801698	Pre laminate, 12mm, White/Raw
801438	Pre laminate, White Vinyl/Raw 2.7MM

Edgebanding

386572-01	Edgebanding, Planked Urban Oak, 5/8"
386572-02	Edgebanding, Planked Urban Oak, 15/16"
386572-03	Edgebanding, Planked Urban Oak, 1-1/4"
386610-02	Edgebanding, Planked Urban Oak, 2MM, 15/16"
365507-02	Edgebanding, Blackened Legno, 1mm, 15/16"

PANELING, EDGEBOARDING, LAUAN

Lauan

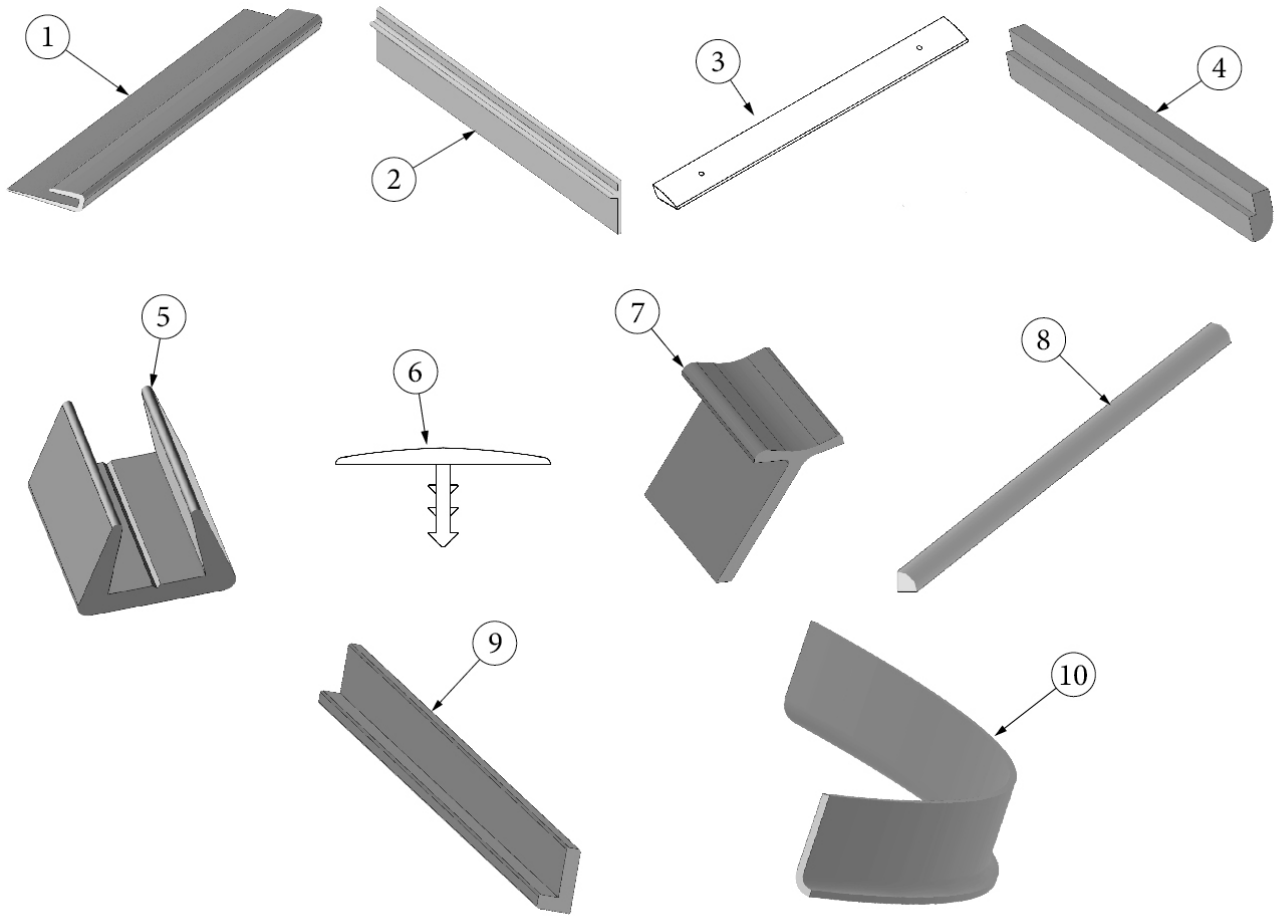
800507-01	Lauan, 1/8 x 4' x 8'
800507-02	Lauan, 1/4" x 4' x 8', Raw/Raw
800507-03	Lauan, 3/8" x 4' x 8', Raw/Raw
800507-06	Lauan, .75" x 4' 8'
801438	Lauan, 2.7mm, Frost White Vinyl/Raw

Plywood

800506-04	Plywood, 1/2" x 4' x 8'
800506-06	Plywood, 3/4" x 4' x 8'
801351	Lite Ply, 18mm (.75") 4' x 8'
801345	Radius plywood, .75" x 3" x 8'
801348	Radius plywood, .75" x 8" x 6'

TRIMS AND TOUCH-UP

Trim



- | | |
|----------------|--|
| 1. 114070 | J-molding, Mill finish |
| 2. 115064 | Trim, Aluminum countertop |
| 3. 203594-02 | Trim, Floor |
| 4. 801706-1008 | Corner trim, 90-degree, 1" |
| 5. 203138-01 | Extrusion, Trim panel, White, .75" |
| 203138-04 | Extrusion, Plastic, Oak, 1/2" |
| 203464-01 | Extrusion, Trim Panel, Oak, .75" |
| 6. 203942-03 | T-Molding, Black, 13/16" |
| 7. 201673 | Reverse cove molding, White |
| 8. 800638-1008 | Molding, Countryside oak, 1/4 round, .5" |
| 9. 801665-1008 | Molding, Door jamb, Oak |
| 10. 114507-03 | Extrusion, Door trim |

TRIMS AND TOUCH-UP

Fill Sticks, Stain Markers, and Seamfil

360406-01	Fil Stick, Kona Mocha, Blackened Legno
360406-10	Fil Stick, Caramel, Country Side Oak
365504-05	Stain Marker, Country Side Oak
365504-10	Stain Marker, Blackened Legno
360301-39	Seamfil, Country Side Oak
360301-40	Seamfil, Blackened Legno
360301-02	Seamfil, White
360301-04	Seamfil, Black
360301-18	Seamfil, Grey