

AIRSTREAM[®]

2024 CLASSIC

Parts Book



TABLE OF CONTENTS

APPLIANCES	1
AIR CONDITIONER	1
AIR CONDITIONER DRAIN KIT	1
FURNACE AND WATER HEATER.....	2
MICROWAVE.....	3
RANGE AND COOKTOP	3
REFRIGERATOR	3
EXTERIOR SHELL	4
FRONT END, 30RB	4
FRONT END, 33FB.....	6
AFT END, 30RB	8
AFT END, 33FB.....	10
EXTERIOR COMPONENTS, ROADSIDE, 30RB.....	12
WALL FRAMING, ROADSIDE, QUEEN, 30RB	14
WALL FRAMING, ROADSIDE, TWIN, 30RB.....	16
EXTERIOR COMPONENTS, CURBSIDE, 30RB	18
WALL FRAMING, CURBSIDE, QUEEN, 30RB	20
WALL FRAMING, CURBSIDE, TWIN, 30RB	22
EXTERIOR COMPONENTS, ROADSIDE, 33FB	24
WALL FRAMING, ROADSIDE, QUEEN, 33FB.....	26
WALL FRAMING, ROADSIDE, TWIN, 33FB	28
EXTERIOR COMPONENTS, CURBSIDE, 33FB	30
WALL FRAMING, CURBSIDE, QUEEN, 33FB	32
WALL FRAMING, CURBSIDE, TWIN, 33FB.....	34
ROOF, 30RB	36
ROOF, 33FB.....	38
WRAP PROTECTOR.....	40
INTERIOR SHELL	41
INTERIOR SKIN, QUEEN, 30RB	41
INTERIOR SKIN, TWIN, 30RB	43
INTERIOR SKIN, QUEEN, 33FB.....	45
INTERIOR SKIN, TWIN, 33FB.....	47
GALLEY BACKSPLASH	49
INTERIOR WHEEL WELL LINER	49
MAIN DOOR THRESHOLD	49
CHASSIS	50
AXLES	50
SHOCKS.....	50
TIRES AND WHEELS	50
SPARE TIRE AND CARRIER	50
POWER STABILIZING JACKS.....	51
POWER JACK.....	51
STEP ASSEMBLY.....	52
BUMPER AND STORAGE.....	54
BATTERY BOX.....	55
HOSE CARRIER.....	55

HITCH COUPLER.....	55
UTILITY STORAGE DOORS	56
UTILITY STORAGE BOXES	56

DECALS, EXTERIOR TRIM57

DECALS AND MEDALLIONS	57
BELT LINE TRIM	57
RUB RAIL TRIM.....	57
REFLECTORS.....	57

EXTERIOR DOORS.....58

MAIN DOOR, LH HINGE, OLD STYLE.....	58
MAIN DOOR, LH HINGE, NEW STYLE.....	60
MAIN DOOR, RH HINGE, OLD STYLE	62
MAIN DOOR, RH HINGE, NEW STYLE	64
SCREEN DOOR, OLD STYLE.....	66
SCREEN DOOR, NEW STYLE.....	68
ACCESS DOOR, BATTERY LID	70
ACCESS DOOR, STABILIZER JACK SWITCH BOX.....	70
ACCESS DOOR, SMALL	70
ACCESS DOOR, LARGE.....	70
ACCESS DOOR, FRESH WATER TANK FILL.....	71
ACCESS DOOR, EXTERIOR SHOWER.....	71
ACCESS DOOR, UTILITY STORAGE DOOR.....	71

WINDOWS72

WINDOWS AND SCREENS, 30RB	72
WINDOWS AND SCREENS, 33FB.....	72
WINDOWS, FRONT AND REAR 30RB, FRONT 33FB	73
WINDOW, REAR, 33FB	75
WINDOW SCREEN ASSEMBLY	77
VISTA VIEW WINDOW, 18”	77
VISTA VIEW WINDOW, 30”	77
WINDOW TRIM	78
PANORAMIC WINDOW TRIM.....	78
WINDOW PARTS, OPENING WINDOWS.....	79
WINDOW STONE GUARDS	81

AWNINGS82

AWNINGS, WINDOWS	82
POWER AWNINGS, PATIO.....	82

WINDOW COVERINGS83

DRAPES AND SHADES, 30RB.....	83
DRAPES AND SHADES, 33FB	84
DRAPES AND SHADES, HARDWARE	85

ELECTRICAL, 110 VOLT.....86

POWER CENTER.....	86
SMART PLUG.....	86
POWER CONVERTER AND INVERTER.....	86
BREAKERS, 110V.....	86

RECEPTACLES 87

ELECTRICAL, 12 VOLT 88

BATTERY AND BATTERY BOX..... 88
7-WAY CABLE 88
BREAKAWAY SWITCH 88
TANK MONITOR SYSTEM 89
WIRELESS BACKUP CAMERA..... 89
DOORBELL 89
SWITCHES AND USB PORTS 90
SOLAR SYSTEM 90
BREAKERS, 12V..... 90
FUSES 90
TPMS SYSTEM..... 91
INTERIOR LIGHTS..... 91
EXTERIOR LIGHTS 91
TAILLIGHTS 92
CZONE SYSTEM COMPONENTS, 30RB 93
CZONE SYSTEM COMPONENTS, 33FB..... 95
CZONE CONFIGURATION FILES..... 97
CZONE SWITCH CONTROLS 30RB 98
CZONE SWITCH CONTROLS, 33FB 100
SMART RV SYSTEM 101

ENTERTAINMENT 102

AUDIO 102
VIDEO..... 102
PROJECTOR AND SOUND SYSTEM 103
LOUNGE TV 103
BEDROOM TV 103

FLOOR COVERINGS..... 104

FLOOR COVERINGS 104

FURNITURE, INTERIOR DOORS AND MIRRORS 105

DOOR, SHOWER 105
DOOR, FOLDETTE..... 105
MIRRORS 105

FURNITURE, DRAWER BOXES AND SLIDES..... 106

DRAWER BOXES..... 106
DRAWER SLIDES..... 106

FURNITURE, BEDROOM 107

BED, QUEEN 107
BED, ROADSIDE TWIN, 30RB 109
BED, ROADSIDE TWIN, 33FB 111
BED, CURBSIDE TWIN, 30RB, 33FB..... 113
HEADBOARD, TWIN BED 115
WALL, CURBSIDE QUEEN BEDROOM..... 116
WALL, CURBSIDE TWIN BEDROOM, 30RB 118
BEDROOM POCKET DOOR, RS, 33FB 120

BEDROOM POCKET DOOR, CS, 33FB	122
NIGHTSTAND, CENTER	124
NIGHTSTAND, RS	125
NIGHTSTAND, CS	126
ROOF LOCKER, QUEEN, 30RB, 30RB CSA, 33FB CSA	127
ROOF LOCKER, TWIN, 30RB, 30RB CSA, 33FB CSA	129
ROOF LOCKER, TWIN, ROADSIDE AND CURBSIDE, 30RB	131
ROOF LOCKER, QUEEN, 33FB	133
ROOF LOCKER, TWIN, 33FB	135
HANGING WARDROBE, RS, 30RB.....	137
HANGING WARDROBE, RS, 33FB	139
HANGING WARDROBE, CS, TWIN, 30RB	141
HANGING WARDROBE, CS, TWIN, 33FB.....	143
TRUNK STORAGE, QUEEN, 30RB	145
TRUNK STORAGE, QUEEN, 33FB	146
TRUNK STORAGE, TWIN, 30RB	147
CONVECTOR COVER, BEDROOM.....	148

FURNITURE, LAVATORY 149

BATH MODULE, 30RB.....	149
BATH MODULE, 33FB	151
SHOWER COMPARTMENT, 30RB	153
SHOWER INSTALL, 33FB	154
FORWARD SHOWER WALL, 33FB	156
BATH WALL STORAGE, CS, 33FB	157
LAVATORY DOOR	158
LAVATORY TOP, 30RB.....	160
LAVATORY CABINET, FORWARD SECTION, 30RB	161
LAVATORY CABINET, AFT SECTION, 30RB.....	163
LAVATORY TOP, 33FB	164
LAVATORY CABINET, 33FB	165
ROOF LOCKER, LAVATORY, 33FB	166
CREDENZA TOP, 33FB	168
CREDENZA, 33FB	169
MEDICINE CABINET, 33FB	170
WARDROBE, 30RB	171
WARDROBE, 33FB	173
WARDROBE, LEFT, 33FB.....	174
WARDROBE, RIGHT, 33FB	176

FURNITURE, GALLEY 178

GALLEY TOP, 30RB.....	178
GALLEY CABINET, 30RB.....	179
GALLEY TOP, 33FB	182
GALLEY CABINET, 33FB	183
GALLEY, DRAWER SECTION, 30RB, 33FB	185
WINE RACK, 33FB.....	185
REFRIGERATOR CABINET, 30RB.....	186
REFRIGERATOR CABINET, 33FB	188
FORWARD REFRIGERATOR WALL, TV, RADIO, 30RB	189
PANTRY, 30RB.....	190
PANTRY, 33FB.....	192
FIRE EXTINGUISHER RACK	194
DINETTE TABLE.....	195

ROOF LOCKER, GALLEY, 30RB, 33FB	196
ROOF LOCKER, DINETTE, 30RB	198

FURNITURE, LOUNGE 200

ENTERTAINMENT TOP, 33FB	200
ENTERTAINMENT DESK, 33FB	201
ROOF LOCKER, DESK, 33FB	203
ROOF LOCKER, LOUNGE, 30RB, 30RB CSA	205
ROOF LOCKER, LOUNGE, PROJECTOR, 33FB	207

HARDWARE..... 209

MAIN DOOR LOCK, LH, OLD STYLE	209
MAIN DOOR LOCK, RH, OLD STYLE.....	210
MAIN DOOR LOCK, NEW STYLE	211
EXTERIOR LATCHES, LOCKS, AND HANDLES.....	212
WINDOWS HARDWARE	214
HINGES.....	214
INTERIOR LATCHES AND HANDLES	215
POCKET DOOR HARDWARE	216
BATH DOOR HARDWARE	217
BATH ACCESSORIES	218
SHOWER ACCESSORIES.....	218
WARDROBE CABINETS	218
WASTE BASKET	218
ALDE HARDWARE.....	218
AWNING HARDWARE, POWER AWNING	219
AWNING HARDWARE, OTHER.....	220
RIVETS	221
SCREWS	221

SAFETY EQUIPMENT 222

DETECTORS AND FIRE EXTINGUISHERS.....	222
---------------------------------------	-----

LABELS AND TAGS 223

LABELS AND TAGS	223
LABELS AND TAGS, CSA	224

PLUMBING, HEATING SYSTEM 225

ALDE SYSTEM, QUEEN, 30RB	225
ALDE SYSTEM, TWIN, 30RB	227
ALDE SYSTEM, QUEEN, 33FB.....	229
ALDE SYSTEM, TWIN, 33FB	230

PLUMBING, LPG SYSTEM 231

LPG SYSTEM, 30RB.....	231
LPG SYSTEM, 33FB	232
LP TANK COVER	233

PLUMBING, FRESH WATER SYSTEM 234

FAUCET, GALLEY	234
FAUCET, LAVY, 30RB	234

FAUCET, LAVY, 33FB.....	234
FAUCET, HAND SHOWER	235
FAUCET, SHOWER HANDLE	236
FAUCET, VALVE	237
FRESH WATER TANK.....	238
FRESH WATER TANK FILL.....	238
CITY WATER HOOK-UP	238
WATER PUMP AND CONTROLLER	238
FRESH WATER LINES, 30RB.....	239
FRESH WATER LINES, 33FB	240
FRESH WATER FITTINGS	241
WINTERIZATION KIT	242

PLUMBING, DRAIN SYSTEM 243

DRAIN SYSTEM LAYOUT, 30RB.....	243
DRAIN SYSTEM LAYOUT, 33FB.....	244
DUMP VALVE, 30RB.....	245
DUMP VALVE, 33FB	246
BLACK TANK FLUSH	247
BLACK AND GRAY TANKS, 30RB	247
BLACK AND GRAY TANKS, 33FB	247
SINK, GALLEY	248
SINK, LAVATORY, 30RB	248
SINK, LAVATORY, 33FB.....	248
SHOWER STALL, 30RB.....	248
SHOWER STALL, 33FB	248
TOILET, 30RB	249
TOILET, 33FB	250

SEALERS AND GASKETS..... 251

SEALERS	251
GASKETS	251
GASKET KITS	252

BEDDING, PILLOWS 254

BEDDING AND THROW PILLOWS, QUEEN BED	254
BEDDING AND THROW PILLOWS, TWIN BED.....	254
MATTRESSES AND SHEETS, QUEEN BED.....	255
MATTRESSES AND SHEETS, TWIN BEDS	255

UPHOLSTERY 256

SOFA, CHAMOMILE, 30RB	256
SOFA, CAFÉ LATTE, 30RB.....	256
SOFA, EARL GREY, 30RB	256
SOFA, 33FB	257
DINETTE SEAT KIT, 30RB	257
DINETTE SEAT KIT, 33FB.....	257
ULTRALEATHER FABRICS	257
CHAIRS	257

DECOR BOARDS 258

DECOR BOARD, CLASSIC DECOR.....	258
DECOR BOARD, DOORS AND LAMINATE	259

DECOR BOARD, HARDWARE.....	260
DECOR BOARD, ULTRALEATHER AND COUNTERTOPS.....	261
DECOR BOARD, WINDOW COVERINGS.....	262

VENTS, FANS, SKYLIGHTS.....263

VENT, BLACK TANK.....	263
VENT, RANGE.....	263
VENT, BATH.....	264
CEILING VENT FAN.....	265
SKYLIGHT, LOUNGE.....	267
SKYLIGHT, BATH.....	267

PANELING, EDGEBANDING, LAUAN.....268

PANELING.....	268
EDGEBANDING.....	268
LAUAN.....	268
PLYWOOD.....	268

TRIMS AND TOUCH-UP.....269

TRIM.....	269
FILL STICKS, STAIN MARKERS, AND SEAMFIL.....	270

APPLIANCES

Air Conditioner

690779-01	AC, Coleman, Mach 8, 15,000 BTU
382766-01	Filter, AC return grille, Merv8
382766-02	Filter sponge, AC return grille
116357	Return grille, Merv8 filter
690779-05	Unit control box, Coleman AC
690779-06	Gateway network, Coleman AC
204161	AC duct transition assembly
116217-02	AC return, ducted, assembly
116217-2	Frame, AC return, Ducted
116217-3	Bracket, AC return, ducted
116340	Standoff, AC, Mach 8
365502	Gasket, AC Supply
365517	Gasket, Plenum-duct transition
365334	Tape, sealfoam
382606-01	Register-Ac - Adjustable Brushed

Air Conditioner Drain Kit

203724	Kit, A/C drain
203722	Gasket, A/C drain

APPLIANCES

Furnace and Water Heater

943938-01	Alde Assy - C30 - Queen
943938-02	Alde Assy C30 Twin
943939-01	Alde Assy 3020 C33 Queen
943939-02	Alde Assy 3020 C33 Twin
602541-46	Alde 3020 heater w/pump
602541-47	Alde flow system
968404-01	Alde convector cover, 61.5"
968404-02	Alde convector cover, 62.25"
969319-01	Alde convector cover, 41.75"
969319-02	Alde convector cover, 16.75"
969319-03	Alde convector cover, 27"
602541-22	Remote sensor
602541-29	Wall Flue
602541-59	Mixing valve
602541-31	Safety drain valve
602541-43	Control panel, Color touch
602541-15	Alde insulation hose
602541-23	Alde wall flue cap, Medium grey
602394-03	Register, 4", Black
513384	Sensor, Alde outdoor temp

APPLIANCES

Microwave

690805 Microwave, Convection, Contoure

Range and Cooktop

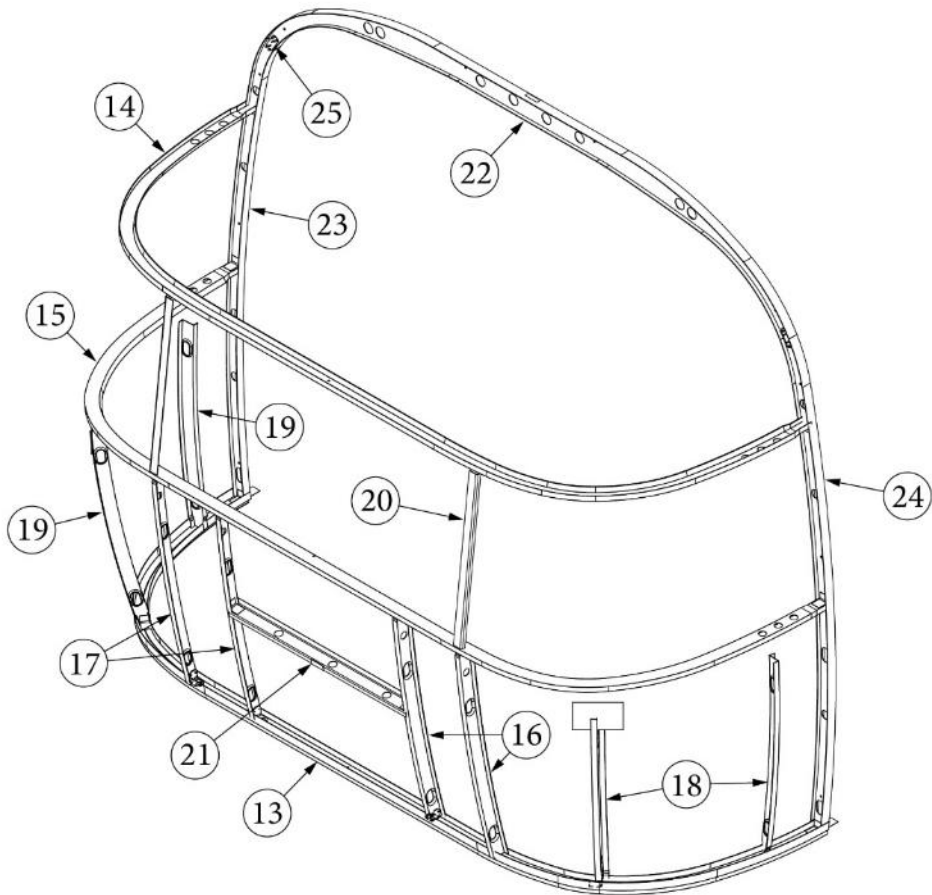
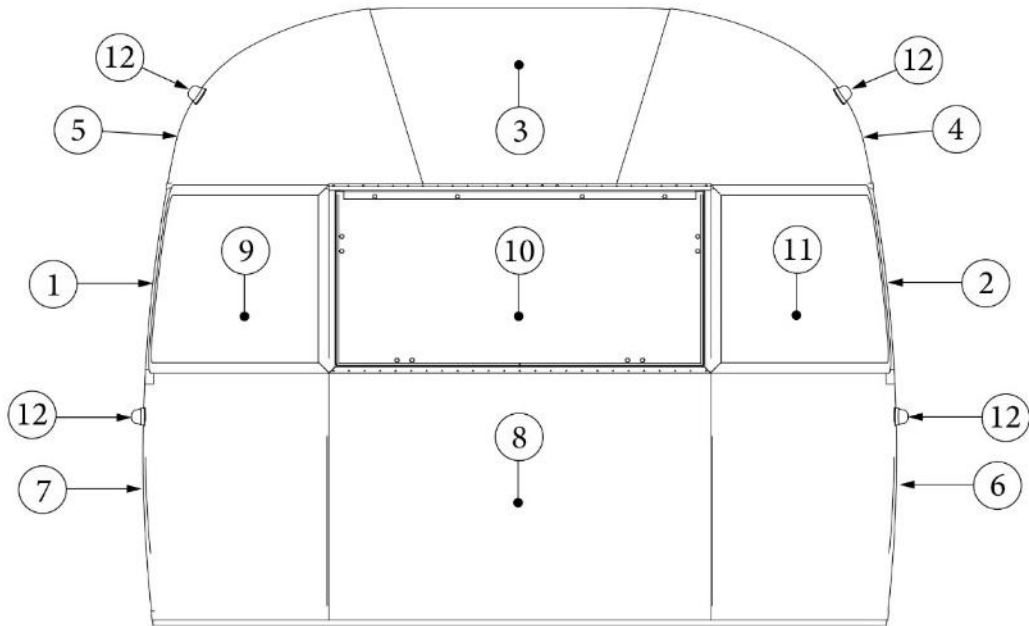
690739 Cooktop, Drop in, 2 Burner, Countoure
690739-10 Grommets, Cooktop
690739-100 Grate, Left Part, Cooktop
690739-101 Grate, Center Part, Cooktop
690739-102 Grate, Right Part, Cooktop
690739-103 Knobs, Cooktop
690739-104 Cooktop Only, SS Top
690739-105 Mounting Hardware Kit
512210 Range hood, Baraldi
115537 Exterior range vent, Stainless Steel
115175 Duct, Range exhaust transition
454590 Extension, Range vent

Refrigerator

690735-01 Refrigerator, LH, 9.7CF, 30RB
690735-02 Refrigerator, RH, 9.7CF, 33FB

EXTERIOR SHELL

Front End, 30RB



Parts Listed on Next Page

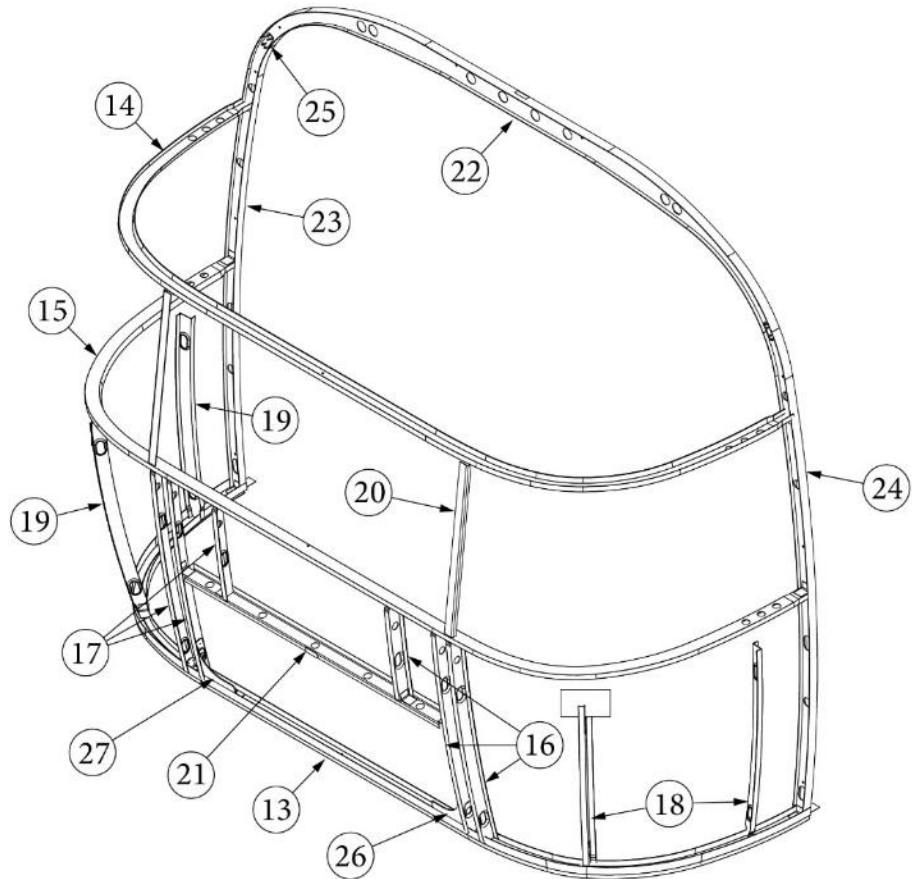
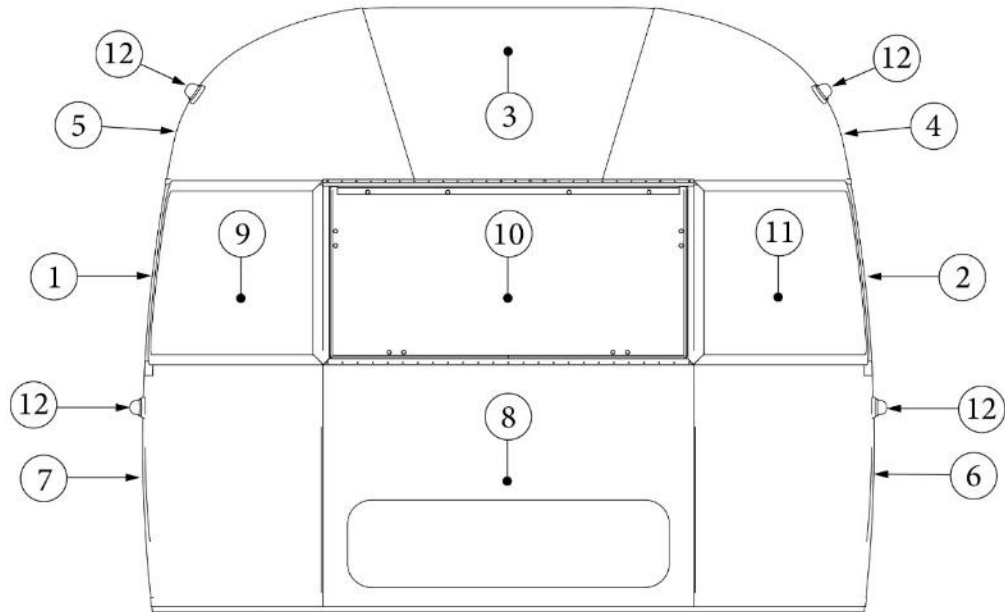
EXTERIOR SHELL

Front End, 30RB

923506-03	Front End Shell, 30RB
1. 114888	Segment, Center left
2. 114889	Segment, Center right
3. 114893	Segment, #25
4. 114890	Segment, #26
5. 114891	Segment, #27
6. 114894	Segment, #28
7. 114895	Segment, #29
8. 116344	Exterior plate, Front lower
116142	Front liner plate, wide body
9. 372089-101	Panoramic window, CS
10. 371346-02	Center window, Front
11. 372088-101	Panoramic window, RS
12. 512859	LED clearance light, Amber
115563	Casting, Teardrop, Flat
382389	Gasket, clearance light
13. 116333	Bow, floor
14. 114678	Bow, upper window
15. 114677	Bow, lower window
16. 114505-01	Support, lower end shell, LH
17. 114505-02	Support, lower end shell, RH
18. 101315-01	Brace, vertical rear, LH
19. 101315-02	Brace, vertical rear, RH
20. 454910	Support, window wrap
21. 116037-01	Z Bar, horizontal frame, 29.5"
22. 116381-01	0 Bow, Roof
23. 116383-01	0 Bow, Wall, RH
24. 116383-02	0 Bow, Wall, LH
25. 116384-01	0 Bow, Plate
114813-01	Angle, 1 x 1.25 x 1.5"
114813-02	Angle, 1.25 x 2 x 2.5"
115699	Backer plate, End shell
455754	End shell support bracket

EXTERIOR SHELL

Front End, 33FB



Parts Listed on Next Page

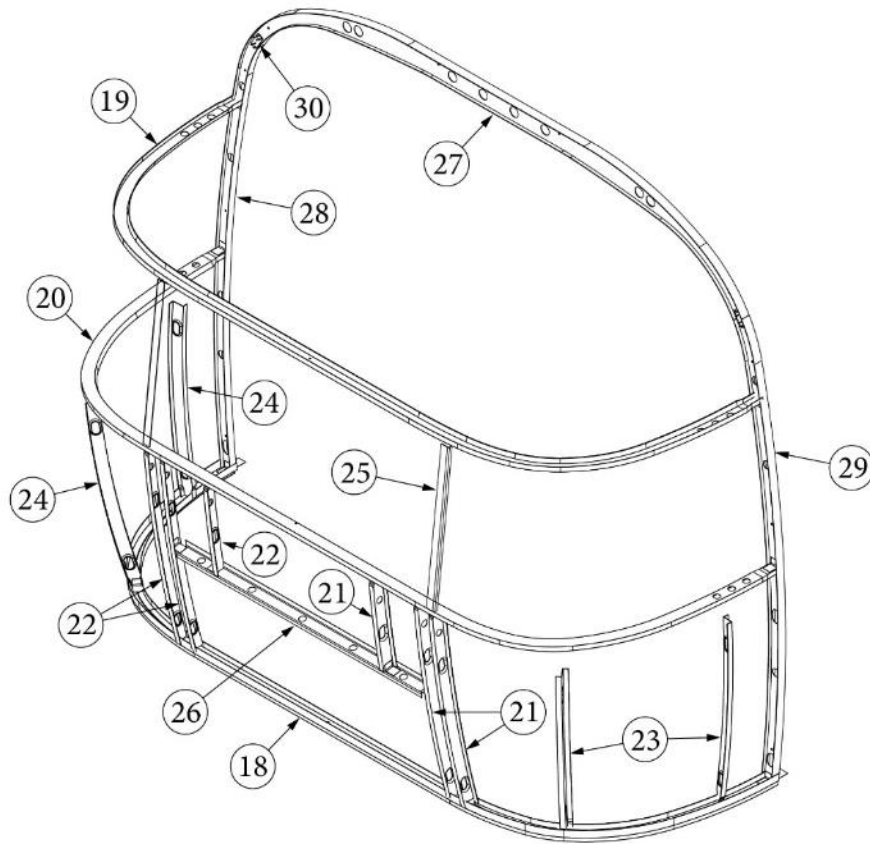
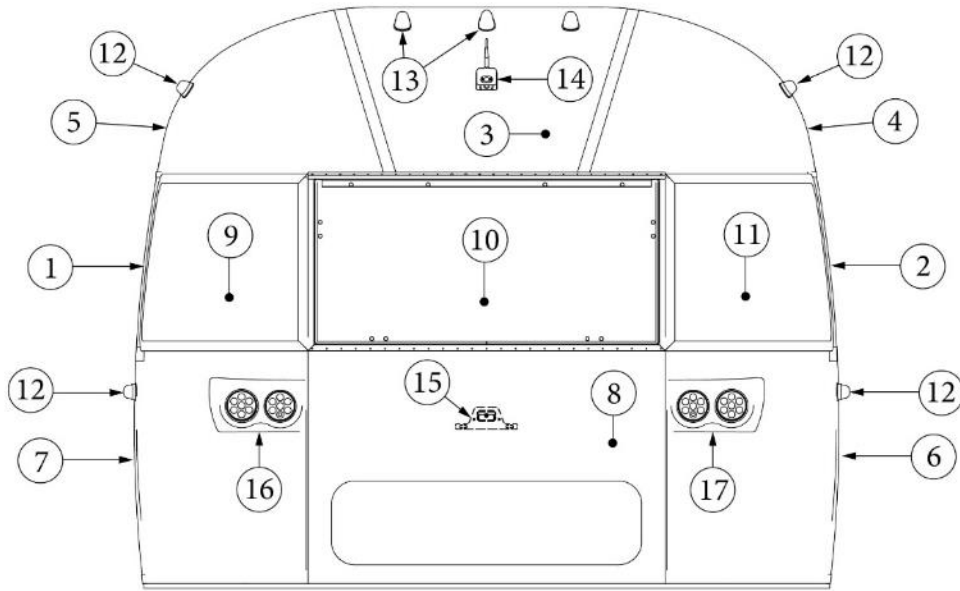
EXTERIOR SHELL

Front End, 33FB

923506-04	Front End Shell, 33FB, w/Trunk Door
1. 114888	Segment, Center left
2. 114889	Segment, Center right
3. 114893	Segment, #25
4. 114890	Segment, #26
5. 114891	Segment, #27
6. 114894	Segment, #28
7. 114895	Segment, #29
8. 116345	Exterior plate, Front lower
9. 372089-101	Panoramic window, CS
10. 371346-02	Center window, Front
11. 372088-101	Panoramic window, RS
12. 512859	LED clearance light, Amber
115563	Casting, Teardrop, Flat
382389	Gasket, clearance light
13. 116333	Bow, floor
14. 114678	Bow, upper window
15. 114677	Bow, lower window
16. 114505-01	Support, lower end shell, LH
17. 114505-02	Support, lower end shell, RH
18. 101315-01	Brace, vertical rear, LH
19. 101315-02	Brace, vertical rear, RH
20. 454910	Support, window wrap
21. 116038	Z Bar, horizontal frame, 43.5"
22. 116381-01	0 Bow, Roof
23. 116383-01	0 Bow, Wall, RH
24. 116383-02	0 Bow, Wall, LH
25. 116384-01	0 Bow, Plate
26. 116387-01	Brace, End shell, LH
27. 116387-02	Brace, End shell, RH
114813-01	Angle, 1 x 1.25 x 1.5"
114813-02	Angle, 1.25 x 2 x 2.5"
115699	Backer plate, End shell
455754	End shell support bracket

EXTERIOR SHELL

Aft End, 30RB



Parts Listed on Next Page

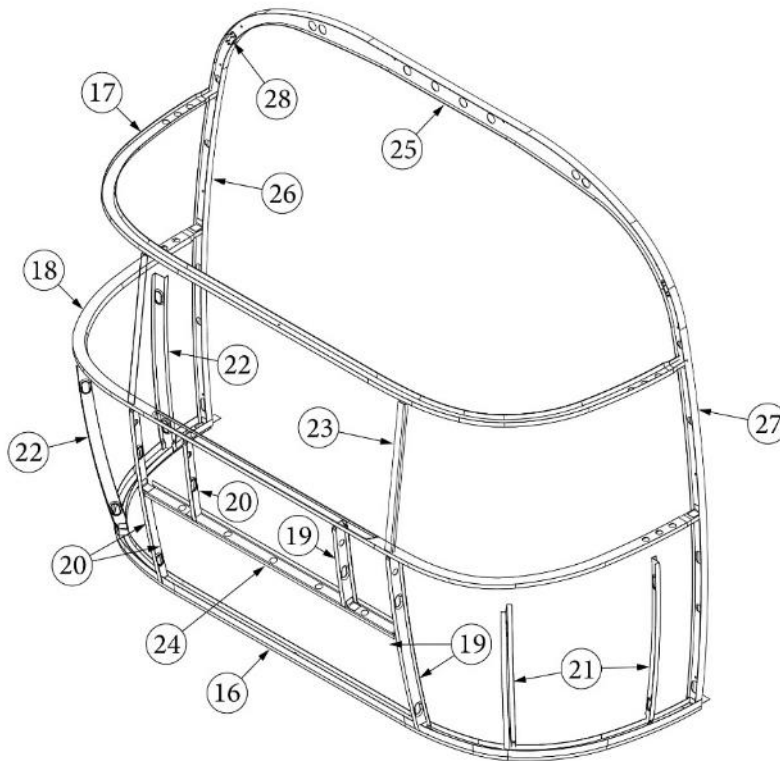
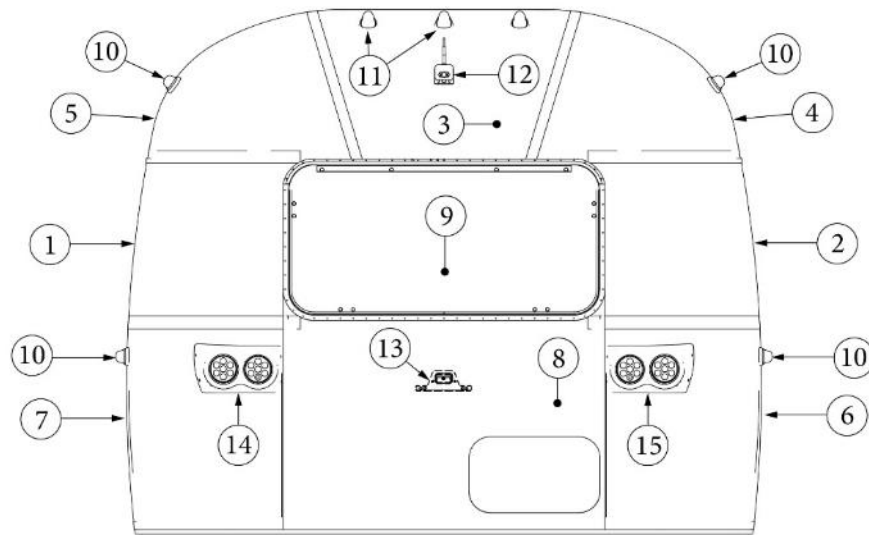
EXTERIOR SHELL

Aft End, 30RB

923507-03	Aft End Shell, 30RB
1. 114888	Segment, Center left
2. 114889	Segment, Center right
3. 114893	Segment, #25
4. 114890	Segment, #26
5. 114891	Segment, #27
6. 114894	Segment, #28
7. 114895	Segment, #29
8. 116341	Exterior plate, Rear lower, large door
9. 372089-101	Panoramic window, CS (installed RS rear)
10. 371346-01	Center window, Rear
11. 372088-101	Panoramic window, RS (installed CS rear)
12. 512860	Clearance light, Red
115563	Casting, Teardrop light, Flat
13. 512928	Clearance light, Red, Curved bezel
115564	Casting, Teardrop light, Curved
14. 512946-01	Wireless backup camera
365392	Gasket, Wireless backup camera
15. 514065	License plate holder/light
514065-01	Light only, License plate
16. 968188-02	Taillight assembly, RS
17. 968188-01	Taillight assembly, CS
18. 116333	Bow, floor
19. 114678	Bow, upper window
20. 114677	Bow, lower window
21. 114505-01	Support, lower end shell, LH
22. 114505-02	Support, lower end shell, RH
23. 101315-01	Brace, vertical rear, LH
24. 101315-02	Brace, vertical rear, RH
25. 454910	Support, window wrap
26. 116038	Z Bar, horizontal frame, 43.5"
27. 116381-01	0 Bow, Roof
28. 116383-01	0 Bow, Wall, RH
29. 116383-02	0 Bow, Wall, LH
30. 116384-01	0 Bow, Plate
114813-01	Angle, 1 x 1.25 x 1.5"
114813-02	Angle, 1.25 x 2 x 2.5"
115699	Backer plate, End shell
382389	Gasket, clearance light

EXTERIOR SHELL

Aft End, 33FB



Parts Listed on Next Page

EXTERIOR SHELL

Aft End, 33FB

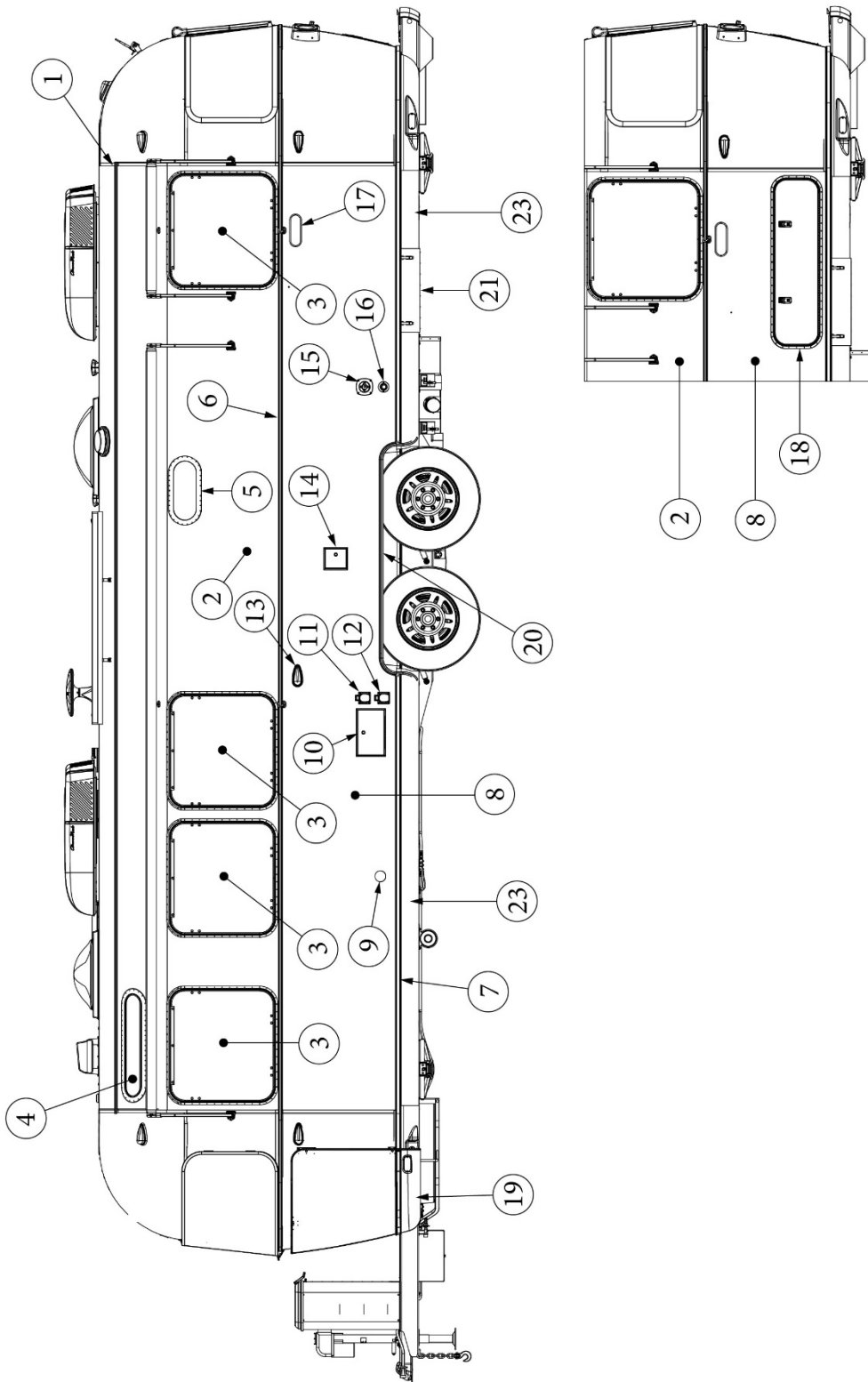
923507-04

Aft End Shell, 33FB

- | | |
|---------------|--|
| 1. 114888 | Segment, Center left |
| 2. 114889 | Segment, Center right |
| 3. 114893 | Segment, #25 |
| 4. 114890 | Segment, #26 |
| 5. 114891 | Segment, #27 |
| 6. 114894 | Segment, #28 |
| 7. 114895 | Segment, #29 |
| 8. 116348 | Exterior plate, Rear lower, Small door |
| 9. 371348-02 | Opening window, Rear, Egress |
| 10. 512860 | Clearance light, Red |
| 115563 | Casting, Teardrop light, Flat |
| 11. 512928 | Clearance light, Red, Curved bezel |
| 115564 | Casting, Teardrop light, Curved |
| 12. 512946-01 | Wireless backup camera |
| 365392 | Gasket, Wireless backup camera |
| 13. 514065 | License plate holder/light |
| 514065-01 | Light only, License plate |
| 14. 968188-02 | Taillight assembly, RS |
| 15. 968188-01 | Taillight assembly, CS |
| 16. 116333 | Bow, floor |
| 17. 114678 | Bow, upper window |
| 18. 114677 | Bow, lower window |
| 19. 114505-01 | Support, lower end shell, LH |
| 20. 114505-02 | Support, lower end shell, RH |
| 21. 101315-01 | Brace, vertical rear, LH |
| 22. 101315-02 | Brace, vertical rear, RH |
| 23. 454910 | Support, window wrap |
| 24. 116038-01 | Z Bar, horizontal frame, 49.5" |
| 25. 116381-01 | 0 Bow, Roof |
| 26. 116383-01 | 0 Bow, Wall, RH |
| 27. 116383-02 | 0 Bow, Wall, LH |
| 28. 116384-01 | 0 Bow, Plate |
| 114813-01 | Angle, 1 x 1.25 x 1.5" |
| 114813-02 | Angle, 1.25 x 2 x 2.5" |
| 115699 | Backer plate, End shell |
| 382389 | Gasket, clearance light |

EXTERIOR SHELL

Exterior Components, Roadside, 30RB



Parts Listed on Next Page

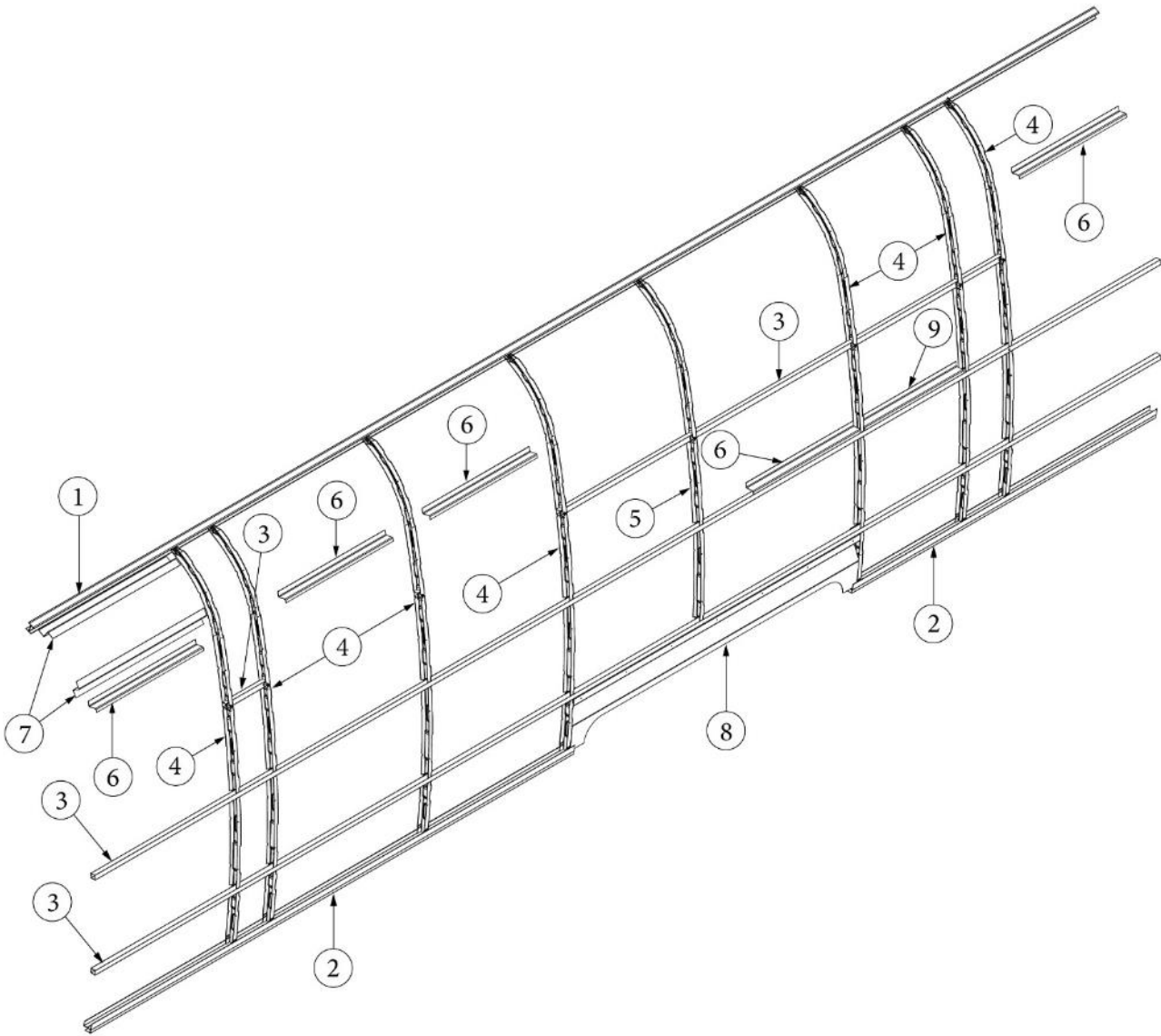
EXTERIOR SHELL

Exterior Components, Roadside, 30RB

1. 114290-02	Extrusion, Awning/drip rail
2. 114880-02	Aluminum sheet, Upper, .04 x 51 x 284.5"
3. 371380	Window, 30" tall
4. 371437-02	Window, Vista view, 30"
5. 371436	Window, stacked, 18"
6. 116420	Extrusion, Belt line molding
201912-100	Molding, Belt line insert, Chrome
7. 116421	Extrusion, Rub rail
201763-100	Insert, Rub rail, 1", Chrome
8. 114879-02	Aluminum sheet, Lower, .04 x 33 x 284.5"
9. 602541-23	Wall flue cap, Alde, Medium Grey
10. 115627	Shower compartment
11. 514035-01	Inlet, SmartPlug Data Port
12. 513581	Inlet, 50A Smartplug
13. 512859	LED clearance light, Amber
115563	Casting, Teardrop, Flat
382389	Gasket, clearance light
14. 401014-102	Switch, Stabilizer jack
115640	Switchbox, Stabilizer
15. 601392-06	City water fill, w/Regulator, 50 PSI
16. 601441-02	Tank flush, Exterior inlet
17. 386388	Nameplate, Classic, 9"
18. 923468-01	Compartment Door-Large, Assy
19. 204254-02	Banana wrap, RS, Front, Black
500096	Reflector, Amber, Oblong oval, Front banana
513641	Reflector, Round, Amber, front banana, 2.19"
20. 116376-02	Trim, Wheel well, inner
114004-02	Trim, Wheel well, outer
382657	Gasket, Outriggers
21. 113776	Install, Utility storage door
22. 204254-04	Banana wrap, RS, Rear, Black
500095	Reflector, Red, Oblong oval, Rear banana
513642	Reflector, Round, Red, Rear banana, 2.19"
23. 116167-02	Underbelly Wraps, .023 x 30 x 160"
115684	Underbelly Skin, .035 x 65.75 x 136"
116379	Inlet Backing plate, Smartplug, Coax
365528	Gasket Kit, Wall Mechanicals

EXTERIOR SHELL

Wall Framing, Roadside, Queen, 30RB



Parts Listed on Next Page

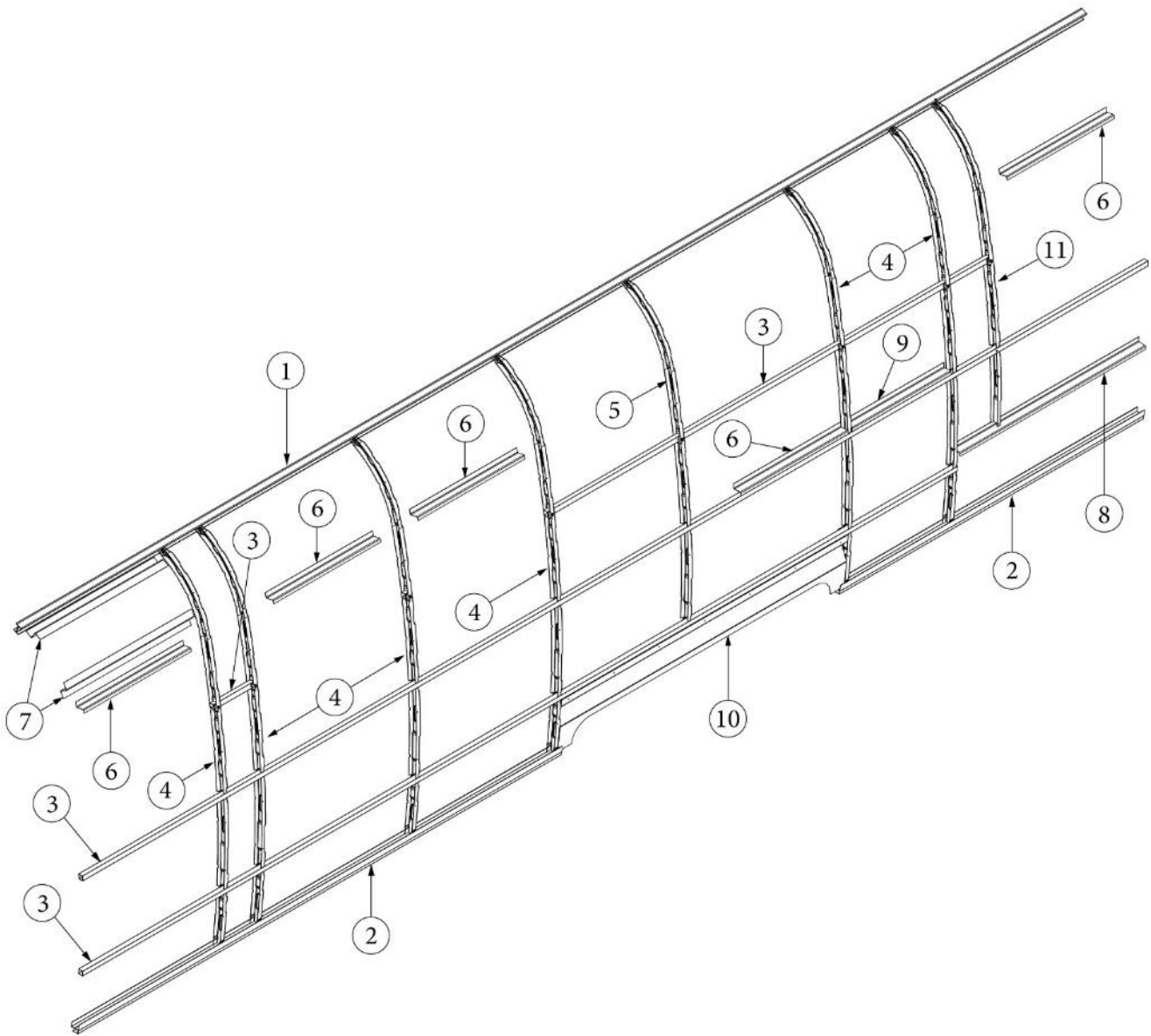
EXTERIOR SHELL

Wall Framing, Roadside, Queen, 30RB

923541-01	Assembly, RS Wall, Queen
1. 104707-01	Extrusion, "I" section, 259"
2. 116221	Extrusion, Floor channel, 192"
3. 116131	Tube, Shell frame, 1" x 1" x 24'
4. 116130-01	Wall bow, Standard
5. 116130-02	Wall bow, Wheel well
6. 116219-01	Z Bar, Window header, 26"
7. 116219-04	Z Bar, Window header, Vista view, 30"
8. 116312-01	Header, Wheel well, dual axle
9. 116219-03	Z Bar, Door header
114879-02	Aluminum sheet, Lower, .04" x 33" x 284.5"
114880-02	Aluminum sheet, Upper, .04" x 51" x 284.5"
116131-01	Filler tube, Shell frame
114813-03	Angle, 1.13 x 1.5 x 3.5
114813-02	Angle, 1.25 x 2 x 2.5

EXTERIOR SHELL

Wall Framing, Roadside, Twin, 30RB



Parts Listed on Next Page

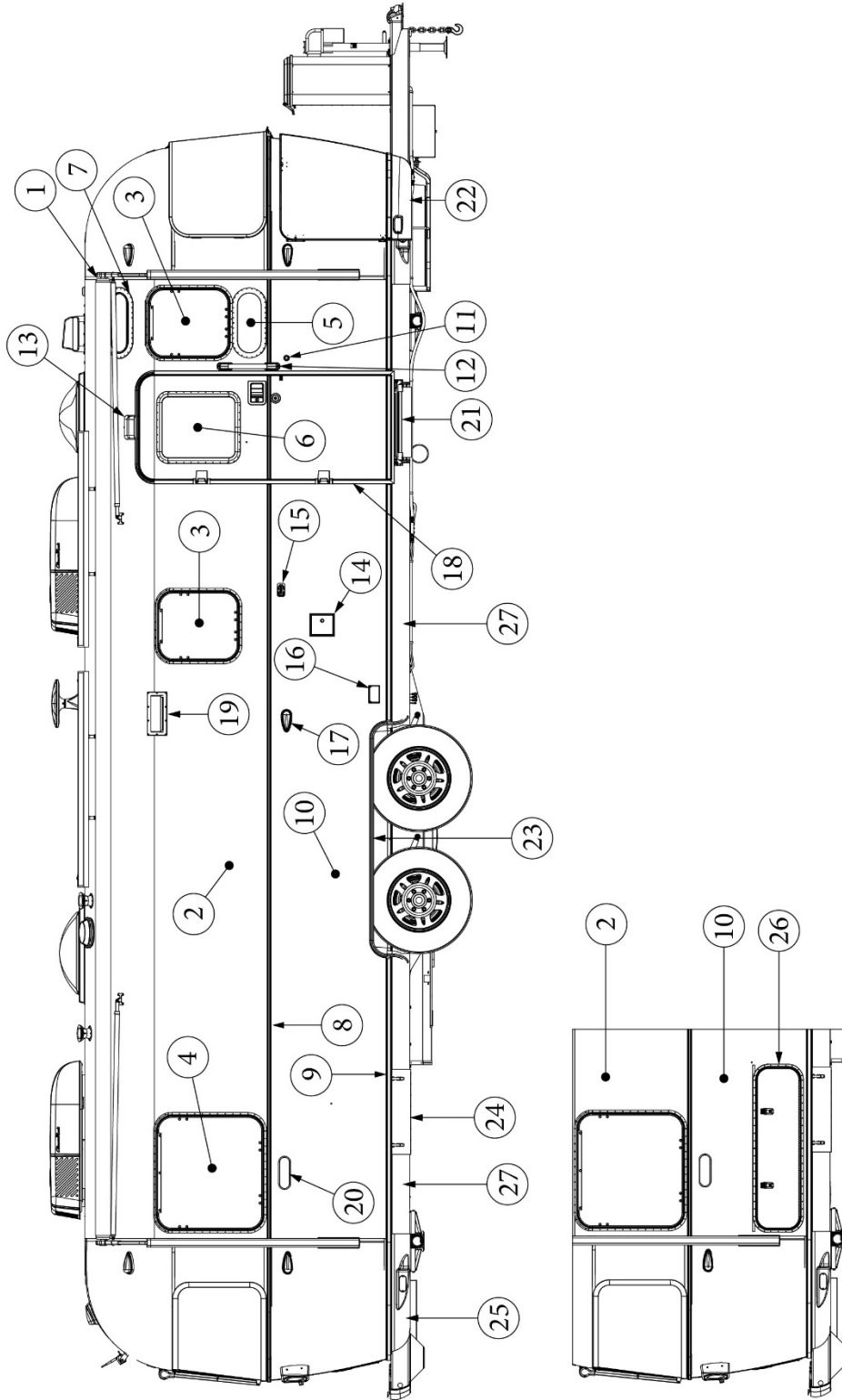
EXTERIOR SHELL

Wall Framing, Roadside, Twin, 30RB

923541-02	Assembly, RS Wall, Twin
1. 104707-01	Extrusion, "I" section, 259"
2. 116221	Extrusion, Floor channel, 192"
3. 116131	Tube, Shell frame, 1" x 1" x 24'
4. 116130-01	Wall bow, Standard
5. 116130-02	Wall bow, Wheel well
6. 116219-01	Z Bar, Window header, 26"
7. 116219-04	Z Bar, Window header, Vista view, 30"
8. 116219-06	Z Bar, Compartment header, 45"
9. 116219-03	Z Bar, Door header
10. 116312-01	Header, Wheel well, dual axle
11. 116130-05	Wall bow, Compartment door
453629	Hat section, Table support
114879-02	Aluminum sheet, Lower, .04" x 33" x 284.5"
114880-02	Aluminum sheet, Upper, .04" x 51" x 284.5"
116131-01	Filler tube, Shell frame
114813-03	Angle, 1.13 x 1.5 x 3.5
114813-02	Angle, 1.25 x 2 x 2.5

EXTERIOR SHELL

Exterior Components, Curbside, 30RB



Parts Listed on Next Page

EXTERIOR SHELL

Exterior Components, Curbside, 30RB

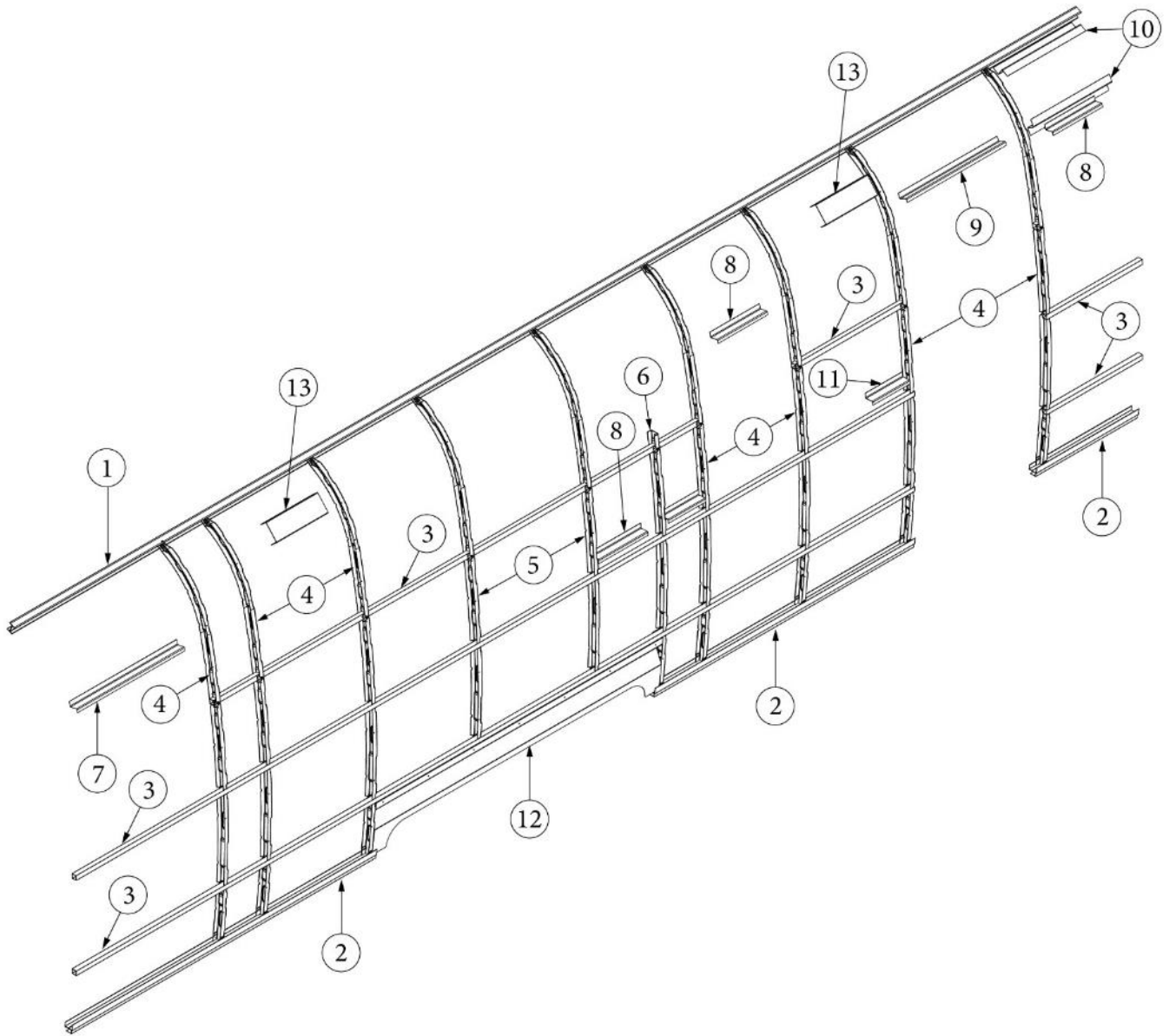
1. 114290-02	Extrusion, Awning/drip rail
2. 114880-02	Aluminum sheet, Upper, .04" x 51" x 284.5"
3. 371323-01	Window, Opening, 18"
4. 371380	Window, 30" tall
5. 371436	Window, stacked, 18"
6. 371400-01	Window, Main door
7. 371437-01	Window, Vista view, 18"
8. 116420	Extrusion, Belt line molding
201912-100	Molding, Belt line insert, Chrome
9. 116421	Extrusion, Rub rail
201763-100	Insert, Rub rail, 1", Chrome
10. 114879-02	Aluminum sheet, Lower, .04" x 33" x 284.5"
11. 511958	Doorbell, Switch
511957	Bezel, Doorbell
12. 511344-05	Grab Handle, Blue LED
13. 994165	Light, Entrance
201185	Lens, Entry light
101323	Casting, Entry light
14. 401014-102	Switch, Stabilizer jack
115640	Switchbox, Stabilizer
15. 380291	Latch Assy set, Door
16. 511815-03	Receptacle, Duplex, Self-contained
514185	Cover, Receptacle, Waterproof
17. 512859	LED clearance light, Amber
115563	Casting, Teardrop, Flat
382389	Gasket, clearance light
18. 116515-02*	Main door, LH
116516-02*	Screen door, LH
19. 115537	Range vent, Exterior
115175	Exhaust transition, Duct, Range
20. 386388	Nameplate, Classic, 9"
21. 3440006	Double step assembly
22. 204254-01	Banana wrap, Front, CS
500096	Reflector, Amber, Oblong oval, Front banana
513641	Reflector, Round, Amber, front banana, 2.19"
23. 116376-02	Trim, Wheel well, inner
114004-02	Trim, Wheel well, outer
382657	Gasket, Outriggers
24. 113776	Install, Utility storage door
25. 204254-03	Banana wrap, Rear, CS, Black
500095	Reflector, Red, Oblong oval, Rear banana
513642	Reflector, Round, Red, Rear banana, 2.19"
26. 923468-01	Compartment Door-Large, Assy
27. 116167-02	Underbelly Wraps, .023 x 30 x 160"
115684	Underbelly Skin, .035 x 65.75 x 136"
365528	Gasket Kit, Wall Mechanicals

*116515-02 (main door) replaced 115207 (main door) Mid model year

*116516-02 (screen door) replaced 114654 (screen door) Mid model year

EXTERIOR SHELL

Wall Framing, Curbside, Queen, 30RB



Parts Listed on Next Page

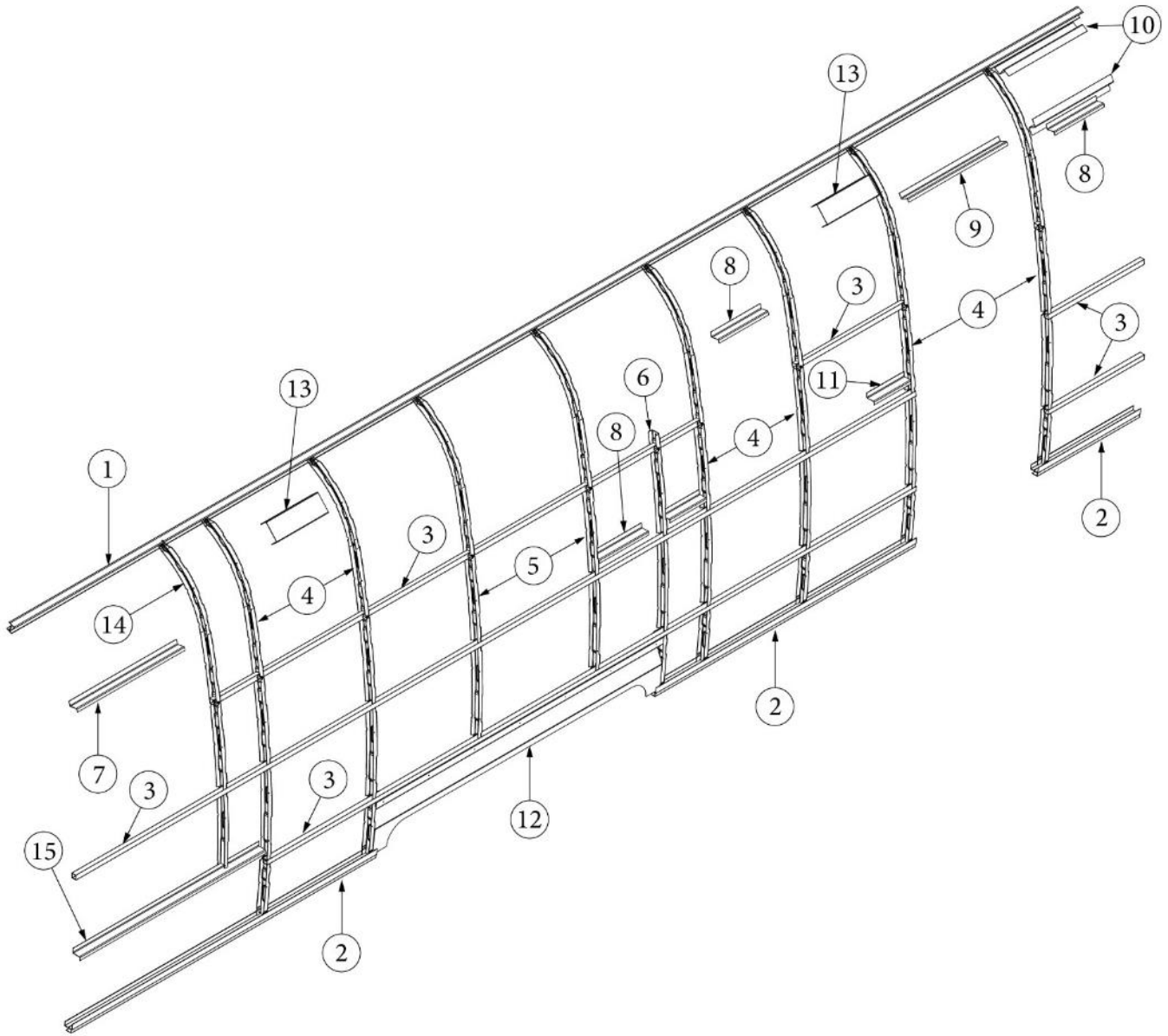
EXTERIOR SHELL

Wall Framing, Curbside, Queen, 30RB

923542-01	Assembly, CS Wall, Queen
1. 104707-01	Extrusion, "I" section, 259"
2. 116221	Extrusion, Floor channel, 192"
3. 116131	Tube, Shell frame, 1" x 1" x 24'
4. 116130-01	Wall bow, Standard
5. 116130-02	Wall bow, Wheel well
6. 116130-03	Wall bow, Range vent
7. 116219-01	Z Bar, Window header, 26"
8. 116219-02	Z Bar, Window header, 12"
9. 116219-03	Z Bar, Door header
10. 116219-05	Z Bar, Window header, Vista view, 18"
11. 116219-09	Z Bar, Countertop backer, 10"
12. 116312-01	Header, Wheel well, dual axle
13. 454931-09	Backer, Side wall, Power awning
114879-02	Aluminum sheet, Lower, .04" x 33" x 284.5"
114880-02	Aluminum sheet, Upper, .04" x 51" x 284.5"
116131-01	Filler tube, Shell frame
114813-03	Angle, 1.13 x 1.5 x 3.5
114813-02	Angle, 1.25 x 2 x 2.5

EXTERIOR SHELL

Wall Framing, Curbside, Twin, 30RB



Parts Listed on Next Page

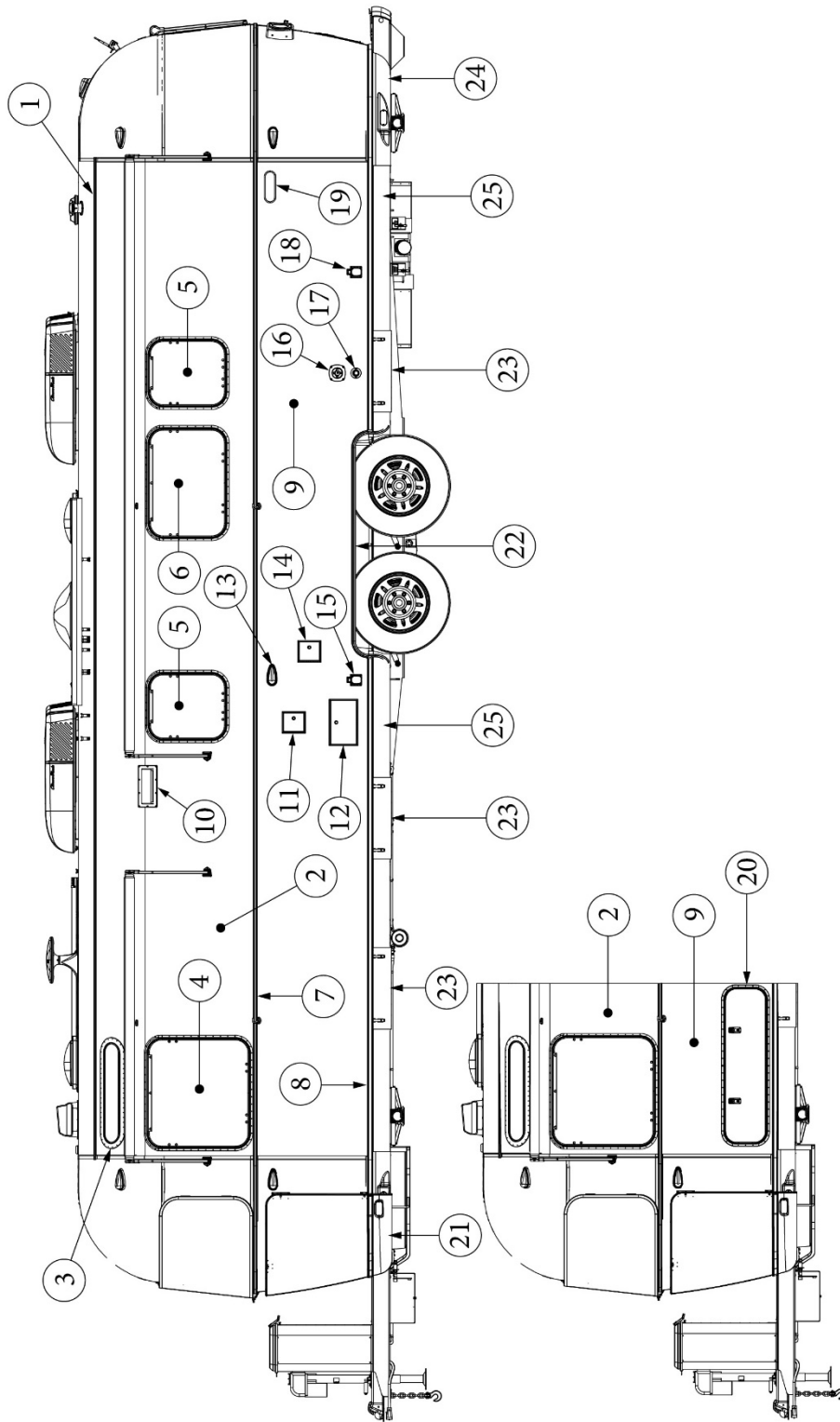
EXTERIOR SHELL

Wall Framing, Curbside, Twin, 30RB

923542-02	Assembly, CS Wall, Twin
1. 104707-01	Extrusion, "I" section, 259"
2. 116221	Extrusion, Floor channel, 192"
3. 116131	Tube, Shell frame, 1" x 1" x 24'
4. 116130-01	Wall bow, Standard
5. 116130-02	Wall bow, Wheel well
6. 116130-03	Wall bow, Range vent
7. 116219-01	Z Bar, Window header, 26"
8. 116219-02	Z Bar, Window header, 12"
9. 116219-03	Z Bar, Door header
10. 116219-05	Z Bar, Window header, Vista view, 18"
11. 116219-09	Z Bar, Countertop backer, 10"
12. 116312-01	Header, Wheel well, dual axle
13. 454931-09	Backer, Side wall, Power awning
14. 116130-05	Wall bow, Compartment door
15. 116219-06	Z Bar, Compartment header, 45"
453629	Hat section, Table support
114879-02	Aluminum sheet, Lower, .04" x 33" x 284.5"
114880-02	Aluminum sheet, Upper, .04" x 51" x 284.5"
116131-01	Filler tube, Shell frame
114813-03	Angle, 1.13 x 1.5 x 3.5
114813-02	Angle, 1.25 x 2 x 2.5

EXTERIOR SHELL

Exterior Components, Roadside, 33FB



Parts Listed on Next Page

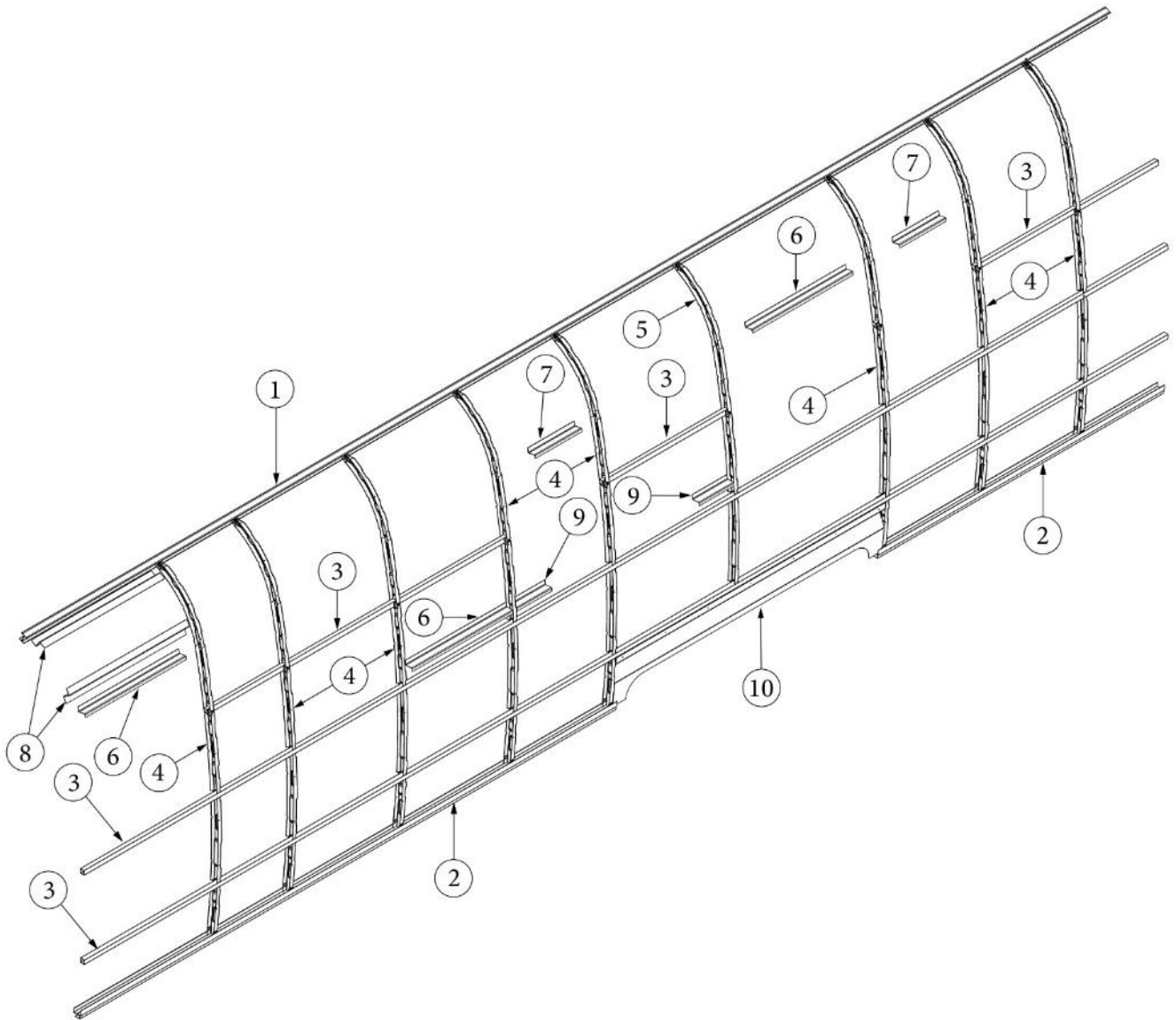
EXTERIOR SHELL

Exterior Components, Roadside, 33FB

1. 114290-03	Extrusion, Awning/drip rail
2. 114880-02	Aluminum sheet, Upper, .04 x 51 x 284.5"
3. 371437-02	Window, Vista view, 30"
4. 371380-01	Window, Opening, Tinted, Egress, 30"
5. 371323-01	Window, Opening, 18"
6. 371324-02	Window, Opening, Chrome handle, 30"
7. 116420	Extrusion, Belt line molding
201912-100	Molding, Belt line insert, Chrome
8. 116421	Extrusion, Rub rail
201763-100	Insert, Rub rail, 1", Chrome
9. 114879-02	Aluminum sheet, Lower, .04 x 33 x 284.5"
10. 115537	Range vent, Exterior
365337	Gasket, Range vent
115175	Exhaust transition, Duct, Range
11. 401014-102	Switch, Stabilizer jack
115640	Switchbox, Stabilizer
12. 115627	Shower compartment
13. 512859	LED clearance light, Amber
115563	Casting, Teardrop, Flat
382389	Gasket, clearance light
14. 115626	Water fill box
15. 513581	Inlet, 50A Smartplug
16. 601392-06	City water fill, w/Regulator, 50 PSI
17. 601441-02	Tank flush, Exterior inlet
18. 514035-01	Inlet, SmartPlug Data Port
19. 386388	Nameplate, Classic, 9"
20. 923468-01	Compartment Door-Large, Assy
21. 204254-02	Banana wrap, RS, Front, Black
500096	Reflector, Amber, Oblong oval, Front banana
513641	Reflector, Round, Amber, front banana, 2.19"
22. 116376-02	Trim, Wheel well, inner
114004-02	Trim, Wheel well, outer
382657	Gasket, Outriggers
23. 113776	Install, Utility storage door
24. 204254-04	Banana wrap, RS, Rear, Black
500095	Reflector, Red, Oblong oval, Rear banana
513642	Reflector, Round, Red, Rear banana, 2.19"
25. 116167-02	Underbelly Wraps, .023 x 30 x 160"
115684	Underbelly Skin, .035 x 65.75 x 136"
116379	Inlet Backing plate, Smartplug, Coax
365528	Gasket Kit, Wall Mechanicals

EXTERIOR SHELL

Wall Framing, Roadside, Queen, 33FB



Parts Listed on Next Page

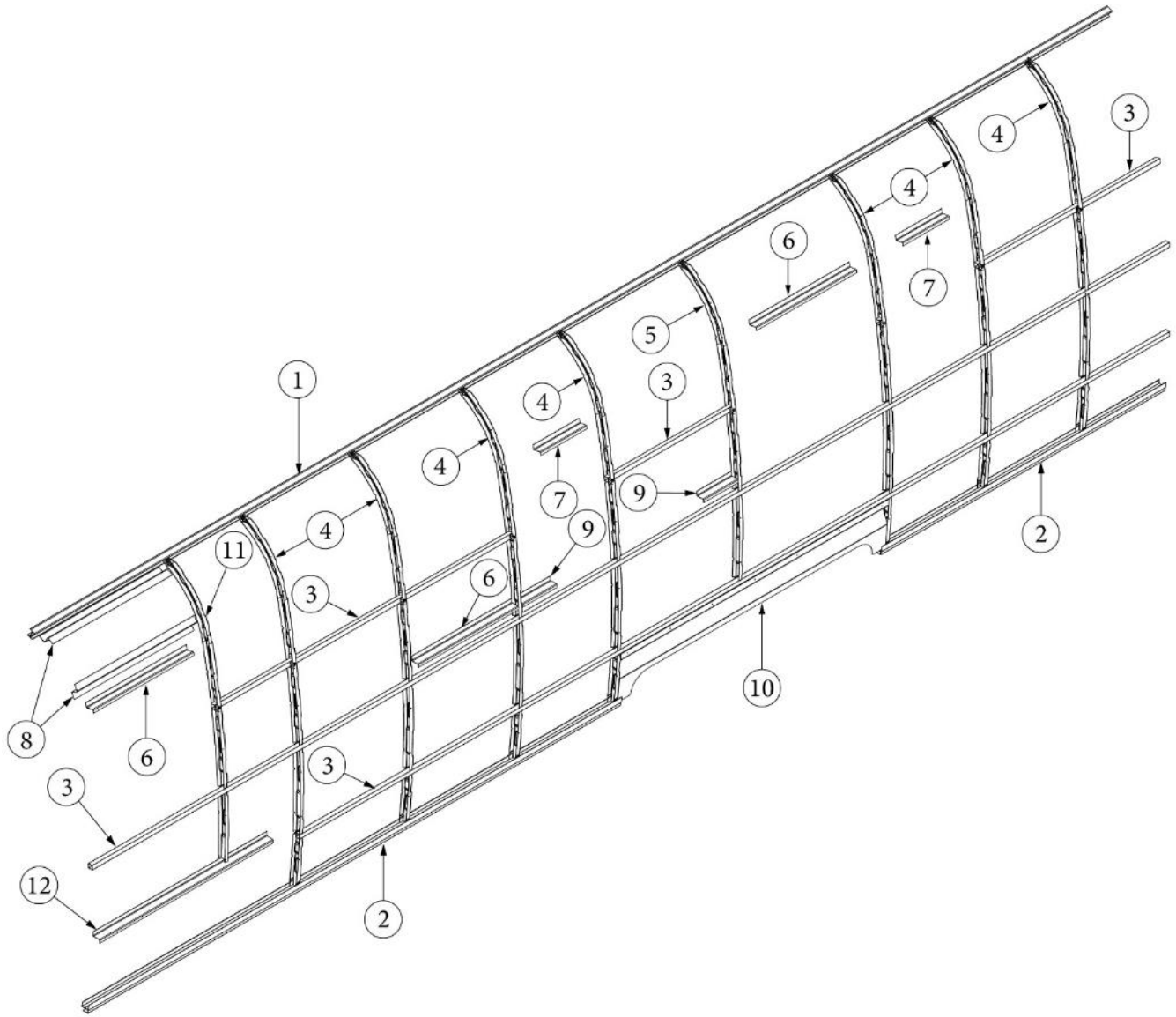
EXTERIOR SHELL

Wall Framing, Roadside, Queen, 33FB

923545-01	Assembly, RS Wall, Queen
1. 104707-01	Extrusion, "I" section, 259"
2. 116221	Extrusion, Floor channel, 192"
3. 116131	Tube, Shell frame, 1" x 1" x 24'
4. 116130-01	Wall bow, Standard
5. 116130-02	Wall bow, Wheel well
6. 116219-01	Z Bar, Window header, 26"
7. 116219-02	Z Bar, Window header, 12"
8. 116219-04	Z Bar, Window header, Vista view, 30"
9. 116219-09	Z Bar, Countertop backer, 10"
10. 116312-01	Header, Wheel well, dual axle
114879-02	Aluminum sheet, Lower, .04" x 33" x 284.5"
114880-02	Aluminum sheet, Upper, .04" x 51" x 284.5"
116131-01	Filler tube, Shell frame
114813-03	Angle, 1.13 x 1.5 x 3.5
114813-02	Angle, 1.25 x 2 x 2.5

EXTERIOR SHELL

Wall Framing, Roadside, Twin, 33FB



Parts Listed on Next Page

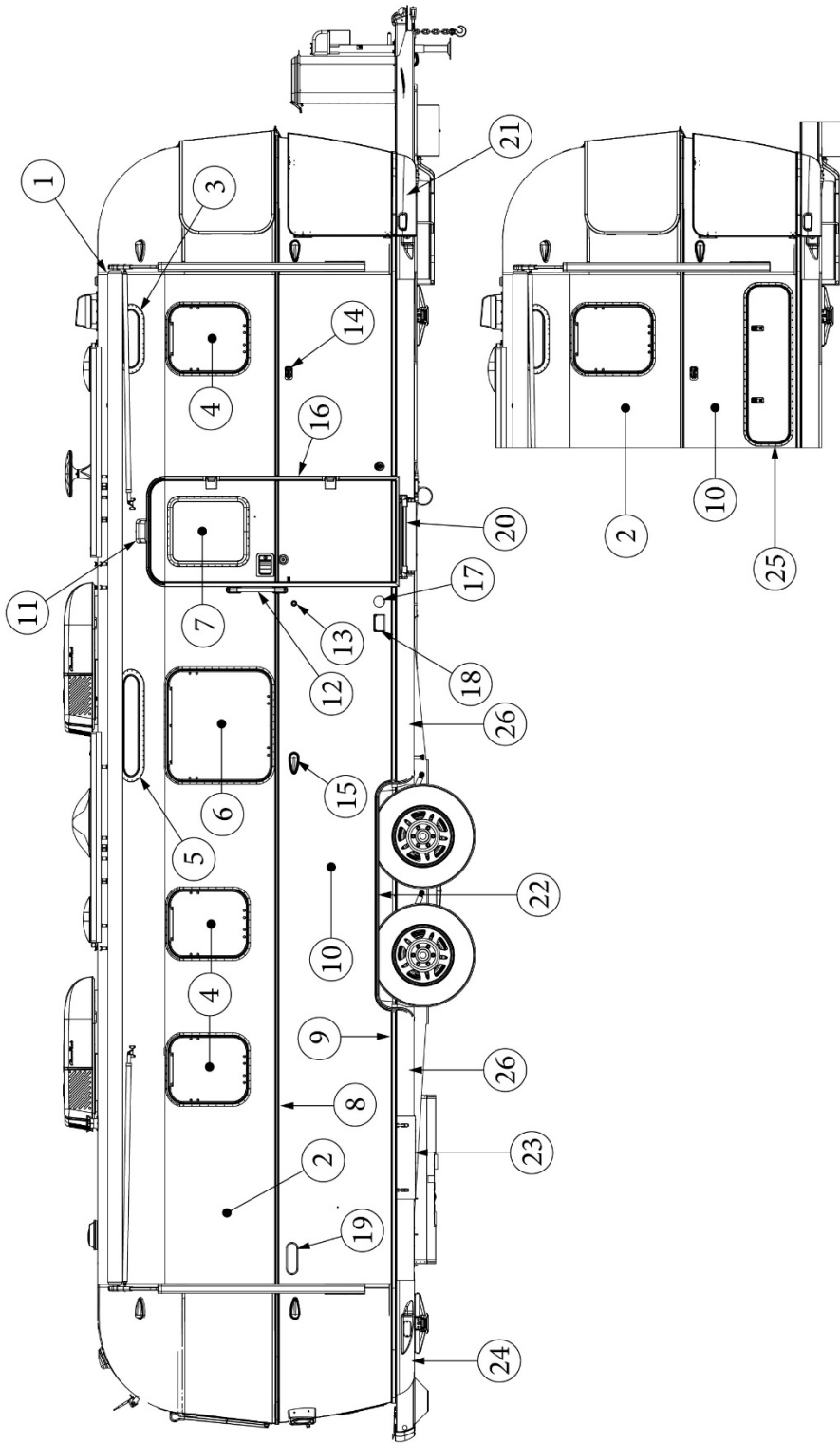
EXTERIOR SHELL

Wall Framing, Roadside, Twin, 33FB

923545-02	Assembly, RS Wall, Twin
1. 104707-01	Extrusion, "I" section, 259"
2. 116221	Extrusion, Floor channel, 192"
3. 116131	Tube, Shell frame, 1" x 1" x 24'
4. 116130-01	Wall bow, Standard
5. 116130-02	Wall bow, Wheel well
6. 116219-01	Z Bar, Window header, 26"
7. 116219-02	Z Bar, Window header, 12"
8. 116219-04	Z Bar, Window header, Vista view, 30"
9. 116219-09	Z Bar, Countertop backer, 10"
10. 116312-01	Header, Wheel well, dual axle
11. 116130-05	Wall bow, Compartment door
12. 116219-06	Z Bar, Compartment header, 45"
453629	Hat section, Table support
114879-02	Aluminum sheet, Lower, .04" x 33" x 284.5"
114880-02	Aluminum sheet, Upper, .04" x 51" x 284.5"
116131-01	Filler tube, Shell frame
114813-03	Angle, 1.13 x 1.5 x 3.5
114813-02	Angle, 1.25 x 2 x 2.5

EXTERIOR SHELL

Exterior Components, Curbside, 33FB



Parts Listed on Next Page

EXTERIOR SHELL

Exterior Components, Curbside, 33FB

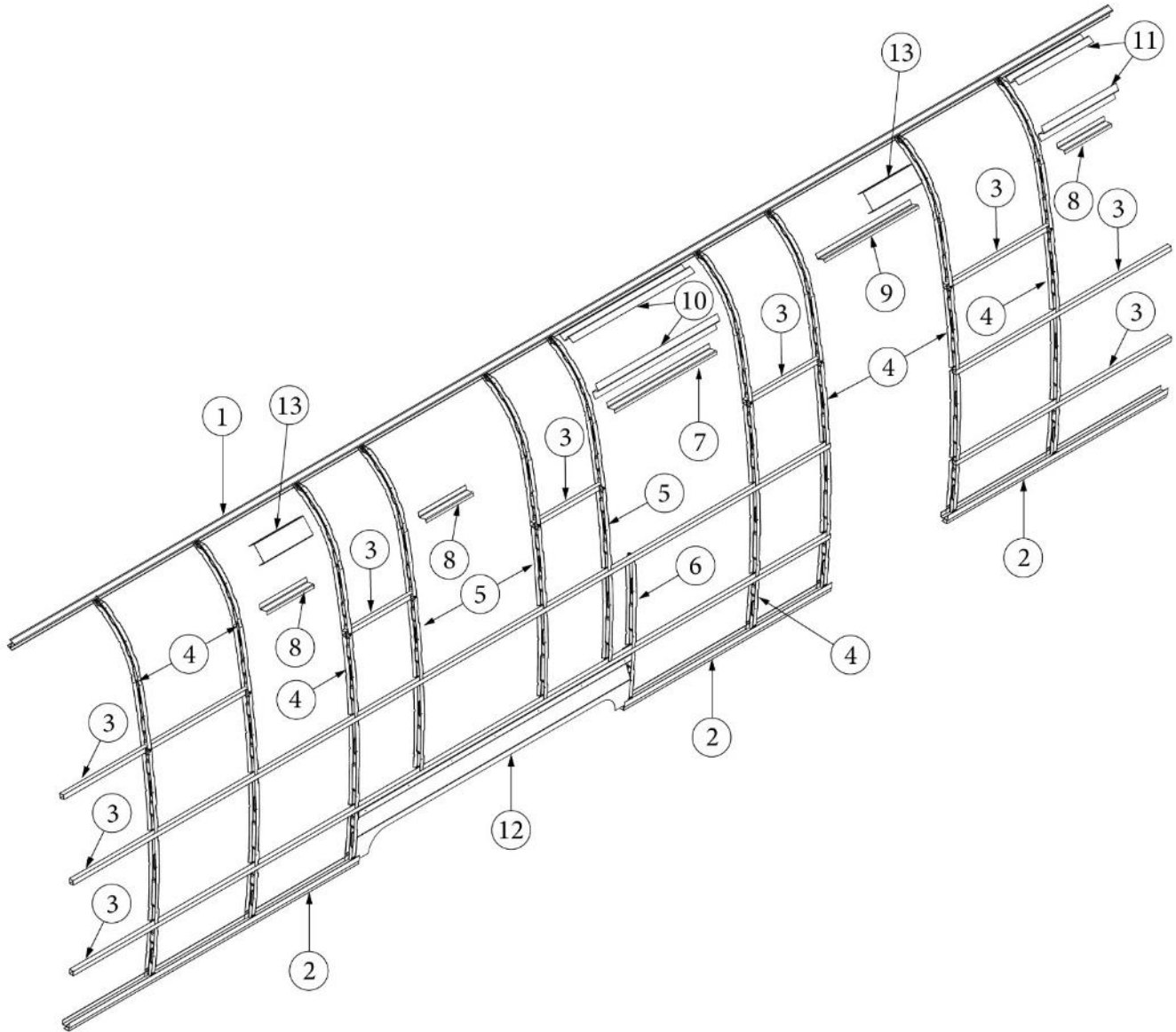
1. 114290-02	Extrusion, Awning/drip rail
2. 114880-02	Aluminum sheet, Upper, .04" x 51" x 284.5"
3. 371437-01	Window, Vista view, 18"
4. 371323-01	Window, Opening, 18"
5. 371437-02	Window, Vista view, 30"
6. 371380	Window, Opening, Tinted, 30"
7. 371400-01	Window, Main door
8. 116420	Extrusion, Belt line molding
201912-100	Molding, Belt line insert, Chrome
9. 116421	Extrusion, Rub rail
201763-100	Insert, Rub rail, 1", Chrome
10. 114879-02	Aluminum sheet, Lower, .04" x 33" x 284.5"
11. 994165	Light, Entrance
201185	Lens, Entry light
101323	Casting, Entry light
12. 511344-05	Grab Handle, Blue LED
13. 511958	Doorbell, Switch
511957	Bezel, Doorbell
14. 380291	Latch Assy set, Door
15. 512859	LED clearance light, Amber
115563	Casting, Teardrop, Flat
382389	Gasket, clearance light
16. 116515-01*	Main door, RH
116516-01*	Screen door, RH
17. 602541-23	Wall flue cap, Alde, Medium Grey
18. 511815-03	Receptacle, Duplex, Self-contained
514185	Cover, Receptacle, Waterproof
19. 386388	Nameplate, Classic, 9"
20. 3440006	Double step assembly
21. 204254-01	Banana wrap, Front, CS
500096	Reflector, Amber, Oblong oval, Front banana
513641	Reflector, Round, Amber, front banana, 2.19"
22. 116376-02	Trim, Wheel well, inner
114004-02	Trim, Wheel well, outer
382657	Gasket, Outriggers
23. 113776	Install, Utility storage door
24. 204254-03	Banana wrap, Rear, CS, Black
500095	Reflector, Red, Oblong oval, Rear banana
513642	Reflector, Round, Red, Rear banana, 2.19"
25. 923468-01	Compartment Door-Large, Assy
26. 116167-02	Underbelly Wraps, .023 x 30 x 160"
115684	Underbelly Skin, .035 x 65.75 x 136"
365528	Gasket Kit, Wall Mechanicals

*116515-01 (main door) replaced 115207-05 (main door) Mid model year

*116516-01 (screen door) replaced 114654-01 (Screen door) Mid model year

EXTERIOR SHELL

Wall Framing, Curbside, Queen, 33FB



Parts Listed on Next Page

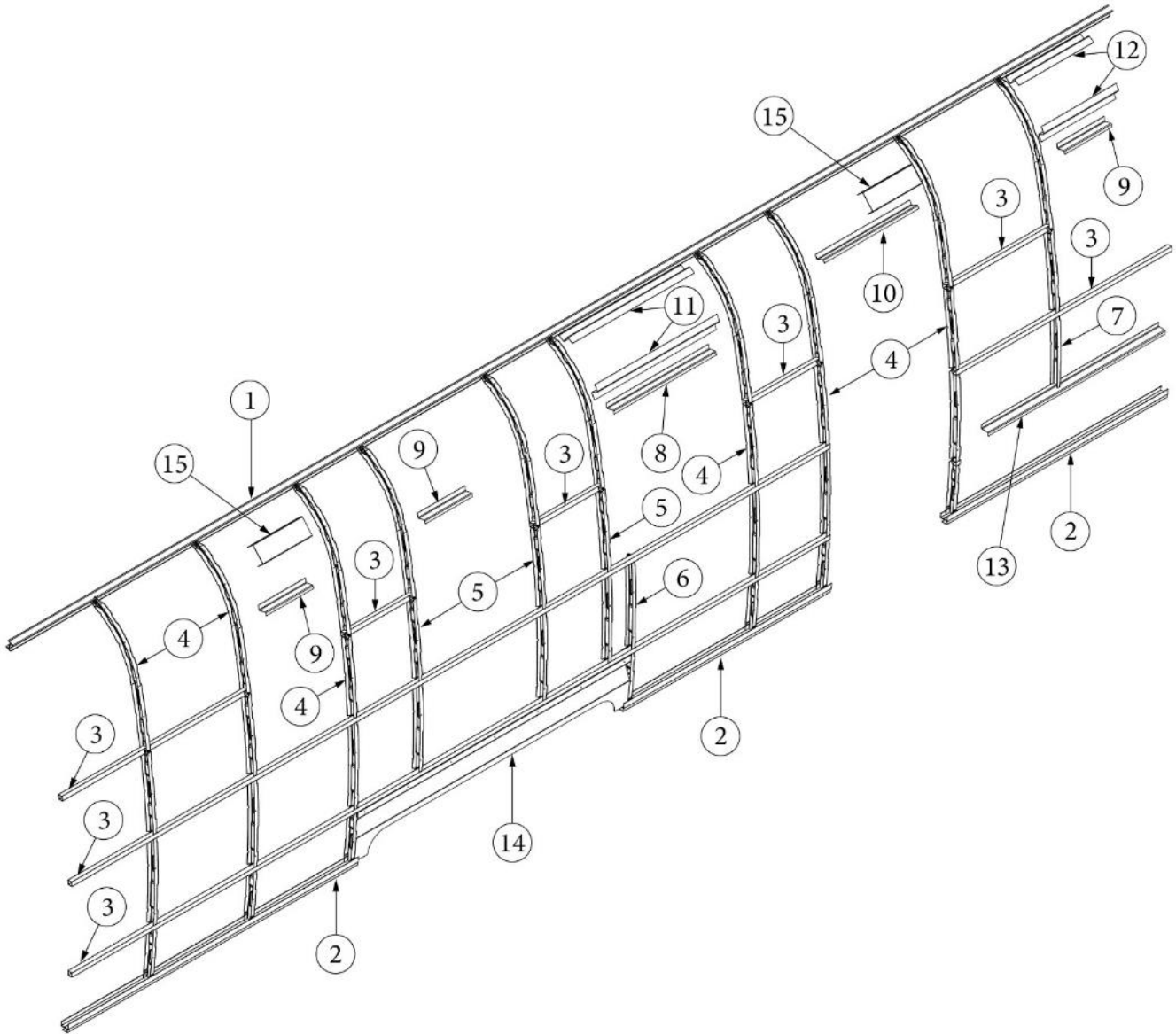
EXTERIOR SHELL

Wall Framing, Curbside, Queen, 33FB

923546-01	Assembly, CS Wall, Queen
1. 104707-01	Extrusion, "I" section, 259"
2. 116221	Extrusion, Floor channel, 192"
3. 116131	Tube, Shell frame, 1" x 1" x 24'
4. 116130-01	Wall bow, Standard
5. 116130-02	Wall bow, Wheel well
6. 116130-04	Wall bow, Window
7. 116219-01	Z Bar, Window header, 26"
8. 116219-02	Z Bar, Window header, 12"
9. 116219-03	Z Bar, Door header
10. 116219-04	Z Bar, Window header, Vista view, 30"
11. 116219-05	Z Bar, Window header, Vista view, 18"
12. 116312-01	Header, Wheel well, dual axle
13. 454931-09	Backer, Side wall, Power awning
114879-02	Aluminum sheet, Lower, .04 x 33 x 284.5"
114880-02	Aluminum sheet, Upper, .04 x 51 x 284.5"
116131-01	Filler tube, Shell frame
114813-03	Angle, 1.13 x 1.5 x 3.5
114813-02	Angle, 1.25 x 2 x 2.5

EXTERIOR SHELL

Wall Framing, Curbside, Twin, 33FB



Parts Listed on Next Page

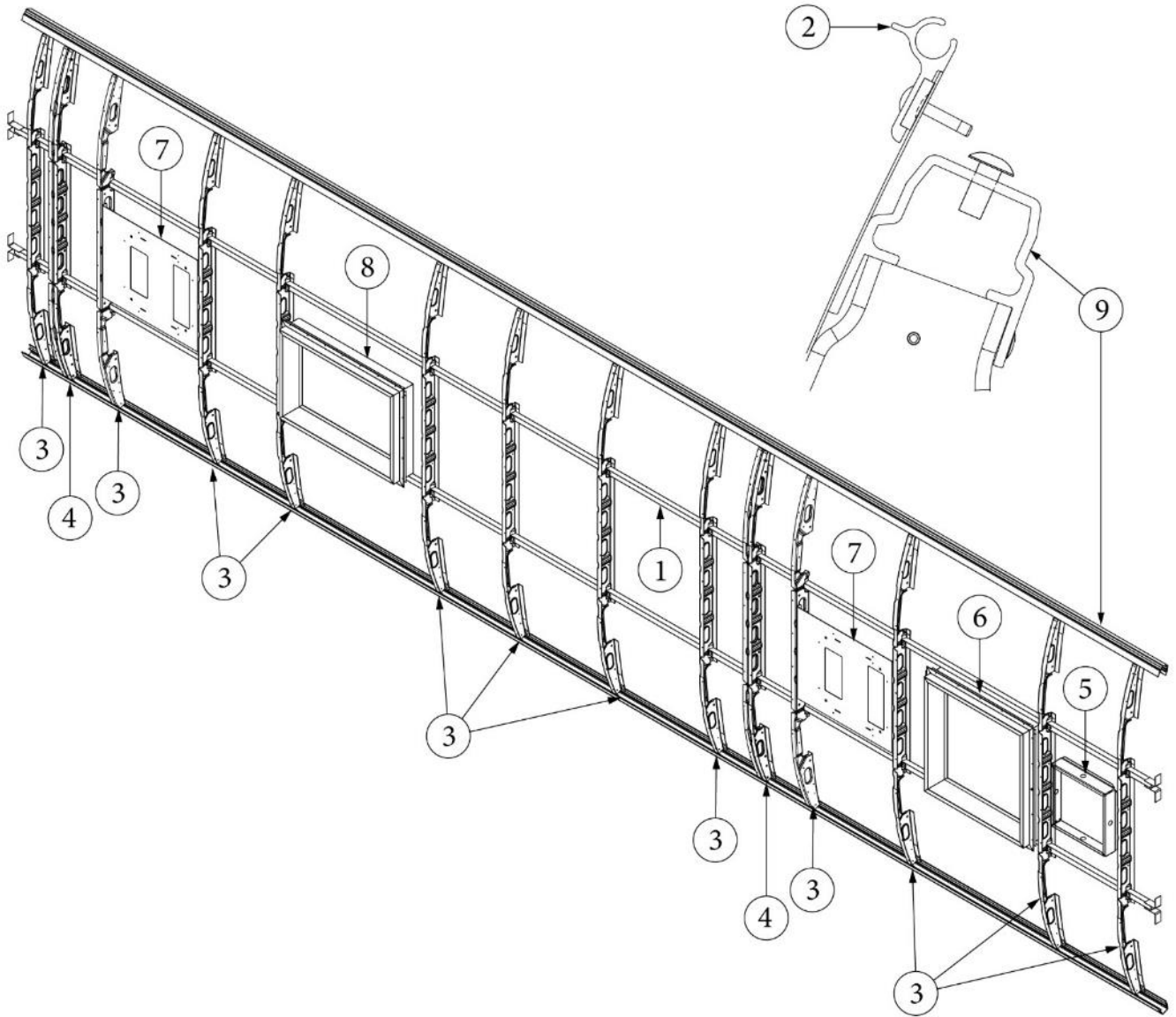
EXTERIOR SHELL

Wall Framing, Curbside, Twin, 33FB

923546-02	Assembly, CS Wall, Twin
1. 104707-01	Extrusion, "I" section, 259"
2. 116221	Extrusion, Floor channel, 192"
3. 116131	Tube, Shell frame, 1" x 1" x 24'
4. 116130-01	Wall bow, Standard
5. 116130-02	Wall bow, Wheel well
6. 116130-04	Wall bow, Window
7. 116130-05	Wall bow, Compartment door
8. 116219-01	Z Bar, Window header, 26"
9. 116219-02	Z Bar, Window header, 12"
10. 116219-03	Z Bar, Door header
11. 116219-04	Z Bar, Window header, Vista view, 30"
12. 116219-05	Z Bar, Window header, Vista view, 18"
13. 116219-06	Z Bar, Compartment header, 45"
14. 116312-01	Header, Wheel well, dual axle
15. 454931-09	Backer, Side wall, Power awning
453629	Hat section, Table support
114879-02	Aluminum sheet, Lower, .04 x 33 x 284.5"
114880-02	Aluminum sheet, Upper, .04 x 51 x 284.5"
116131-01	Filler tube, Shell frame
114813-03	Angle, 1.13 x 1.5 x 3.5
114813-02	Angle, 1.25 x 2 x 2.5

EXTERIOR SHELL

Roof, 30RB



Parts Listed on Next Page

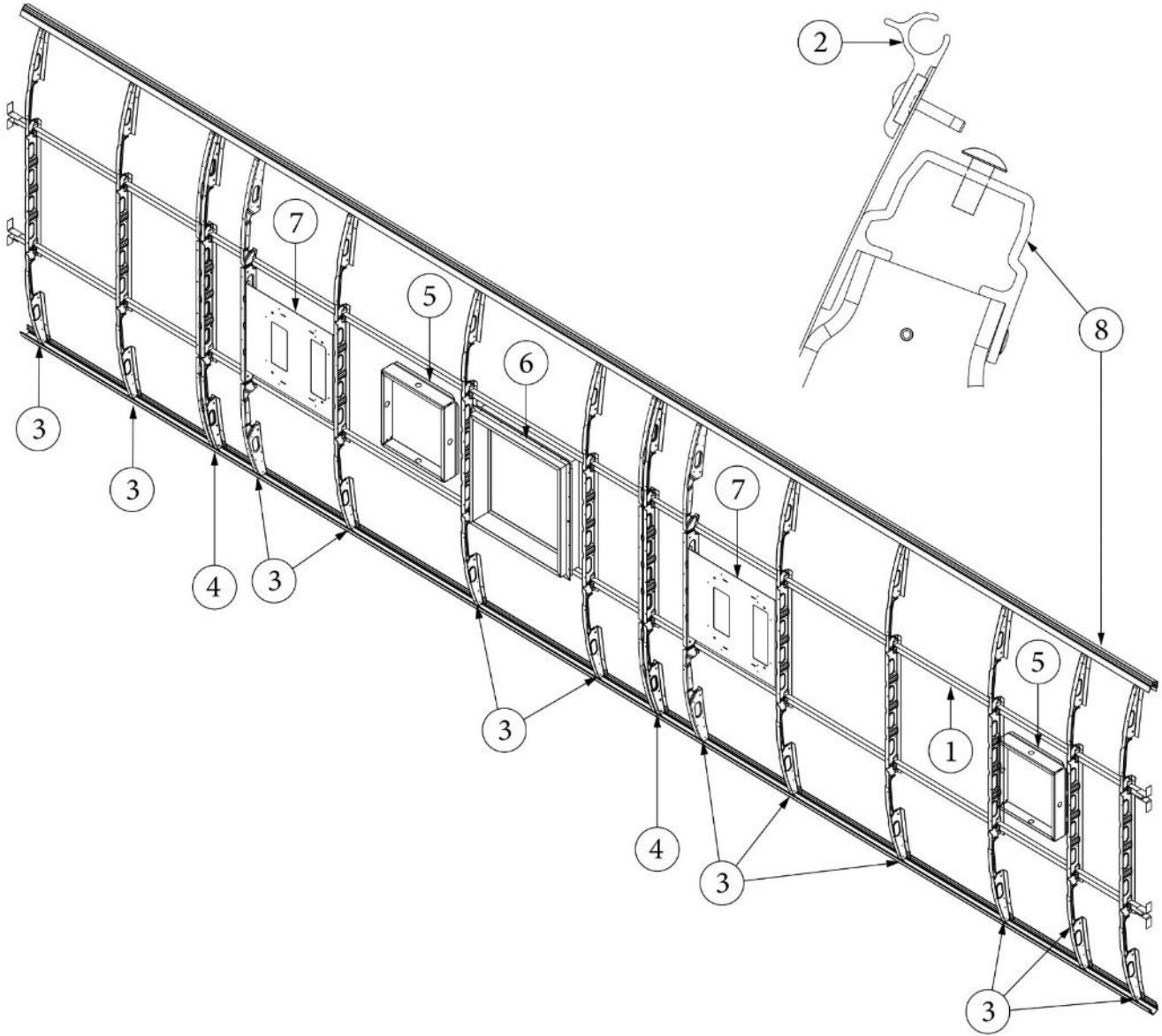
EXTERIOR SHELL

Roof, 30RB

923543-01	Assembly, Roof, 30RB
1. 116131	Tube, Shell frame, 1" x 1" x 24'
2. 114290-02	Extrusion, Awning/drip rail
3. 116128-02	Roof bow, Wide body
4. 116368	Roof I-beam, Wide body
5. 116217-01	Assembly, Exhaust fan frame
6. 116355	Assembly, Skylight frame, 19 x 19"
115600-01	Backer plate, Skylight, 22"
7. 455816	Mounting plate, AC install
8. 116356	Assembly, Skylight frame, 14 x 20"
115600-02	Backer plate, Skylight, 17"
115600-03	Backer plate, Skylight, 26"
9. 116401-03	Extrusion, Roof channel, 258"
115727-03	Skin, Exterior, Roof, .032 x 72 x 285"

EXTERIOR SHELL

Roof, 33FB



Parts Listed on Next Page

EXTERIOR SHELL

Roof, 33FB

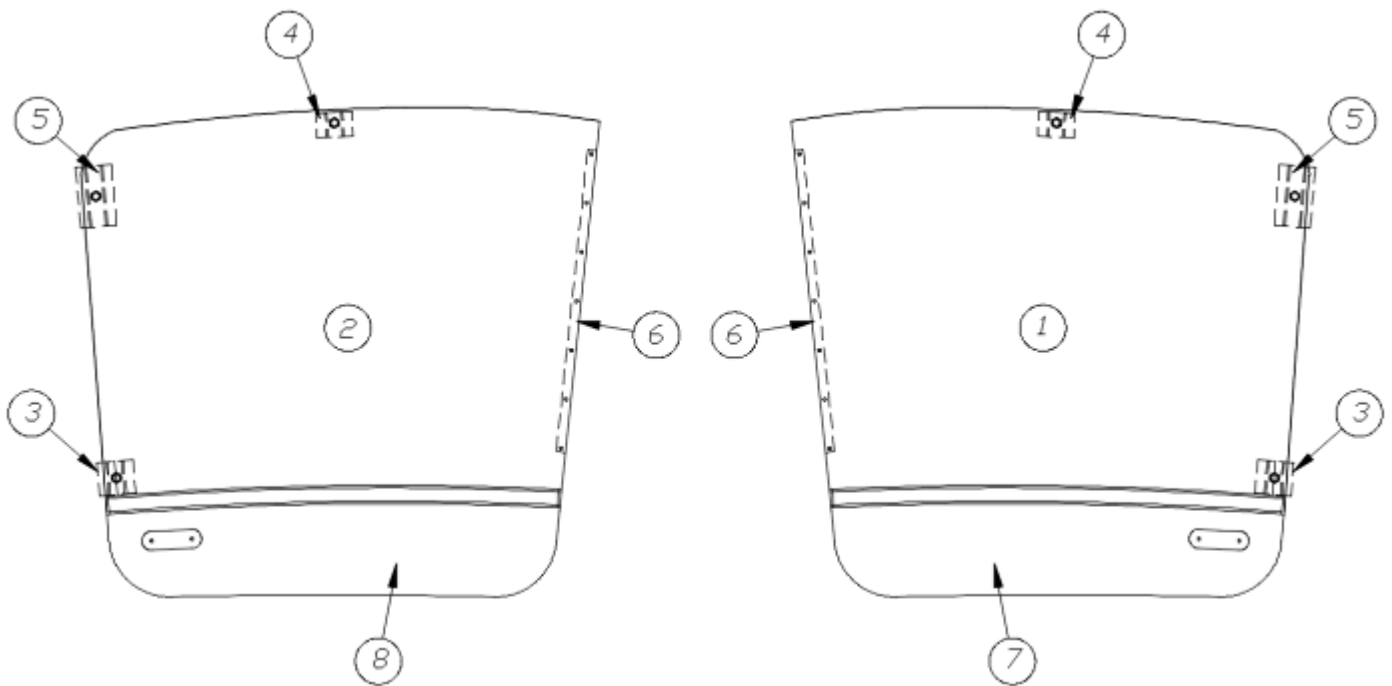
923547-01

Assembly, Roof, 30RB

1. 116131 Tube, Shell frame, 1 x 1 x 24'
2. 114290-02 Extrusion, Awning/drip rail
3. 116128-02 Roof bow, Wide body
4. 116368 Roof I-beam, Wide body
5. 116217-01 Assembly, Exhaust fan frame
6. 116355 Assembly, Skylight frame, 19 x 19"
- 115600-01 Backer plate, Skylight, 22"
7. 455816 Mounting plate, AC install
8. 116401-03 Extrusion, Roof channel, 258"
- 115727-03 Skin, Exterior, Roof, .032 x 72 x 285"

EXTERIOR SHELL

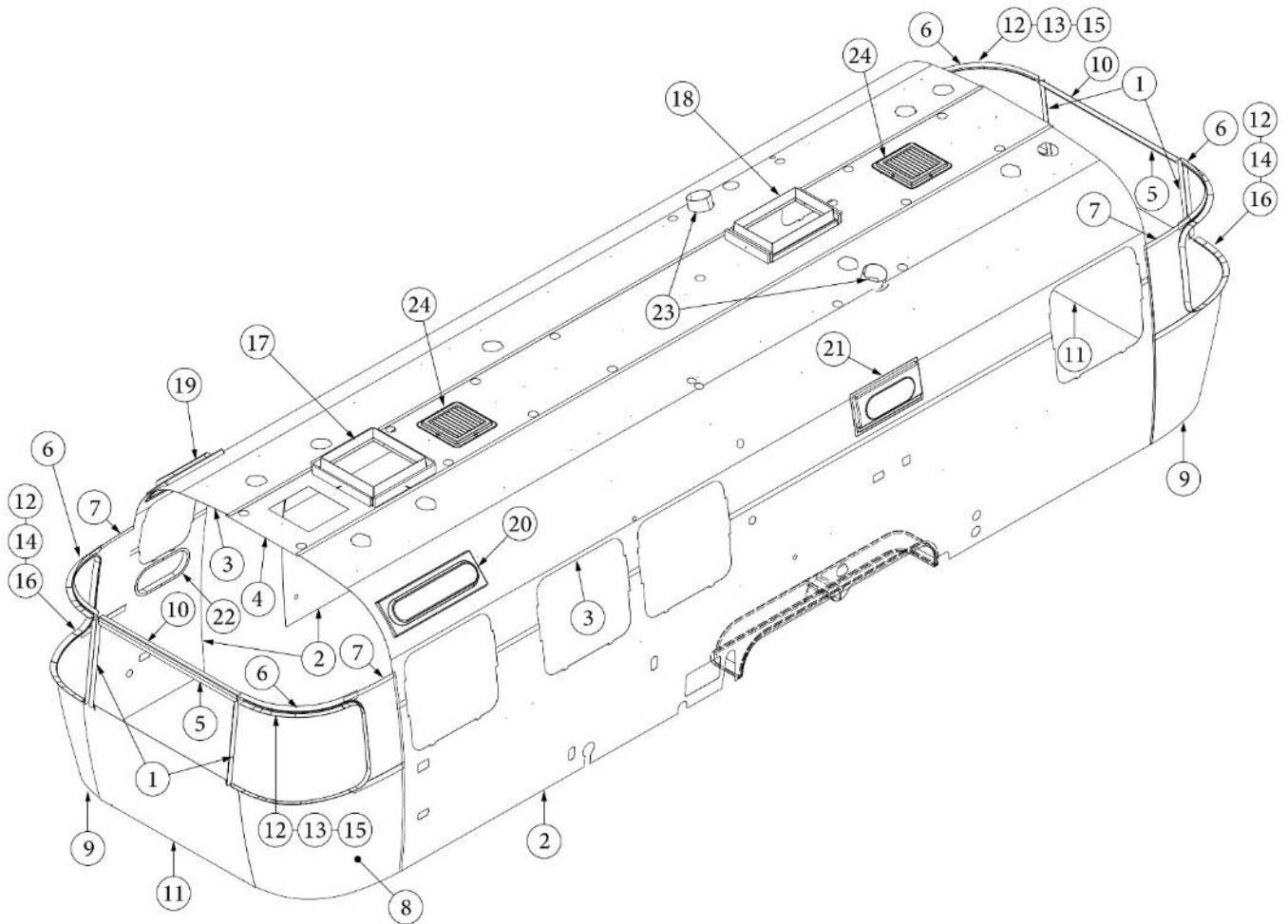
Wrap Protector



- | | |
|---|---|
| <ul style="list-style-type: none"> 1. 969333 2. 969332 3. 114819-04 4. 114819-02 5. 114819-03 6. 381605-03 7. 200542-02 8. 200543-02 100742-01 114465-01 114465-02 500096 685343 | <ul style="list-style-type: none"> RS wrap protector CS wrap protector Wrap protector hold back, 2" Wrap protector hold back, 2" Wrap protector hold back, 5" Piano hinge, Stainless Steel Underbelly wrap, Front RS, Black Underbelly wrap, Front CS, Black Extrusion, Wrap trim protector Casting, Rub rail, RH Casting, Rub rail, LH Reflector, Amber Gusset, Corner wrap protector |
|---|---|

INTERIOR SHELL

Interior Skin, Queen, 30RB



Parts Listed on Next Page

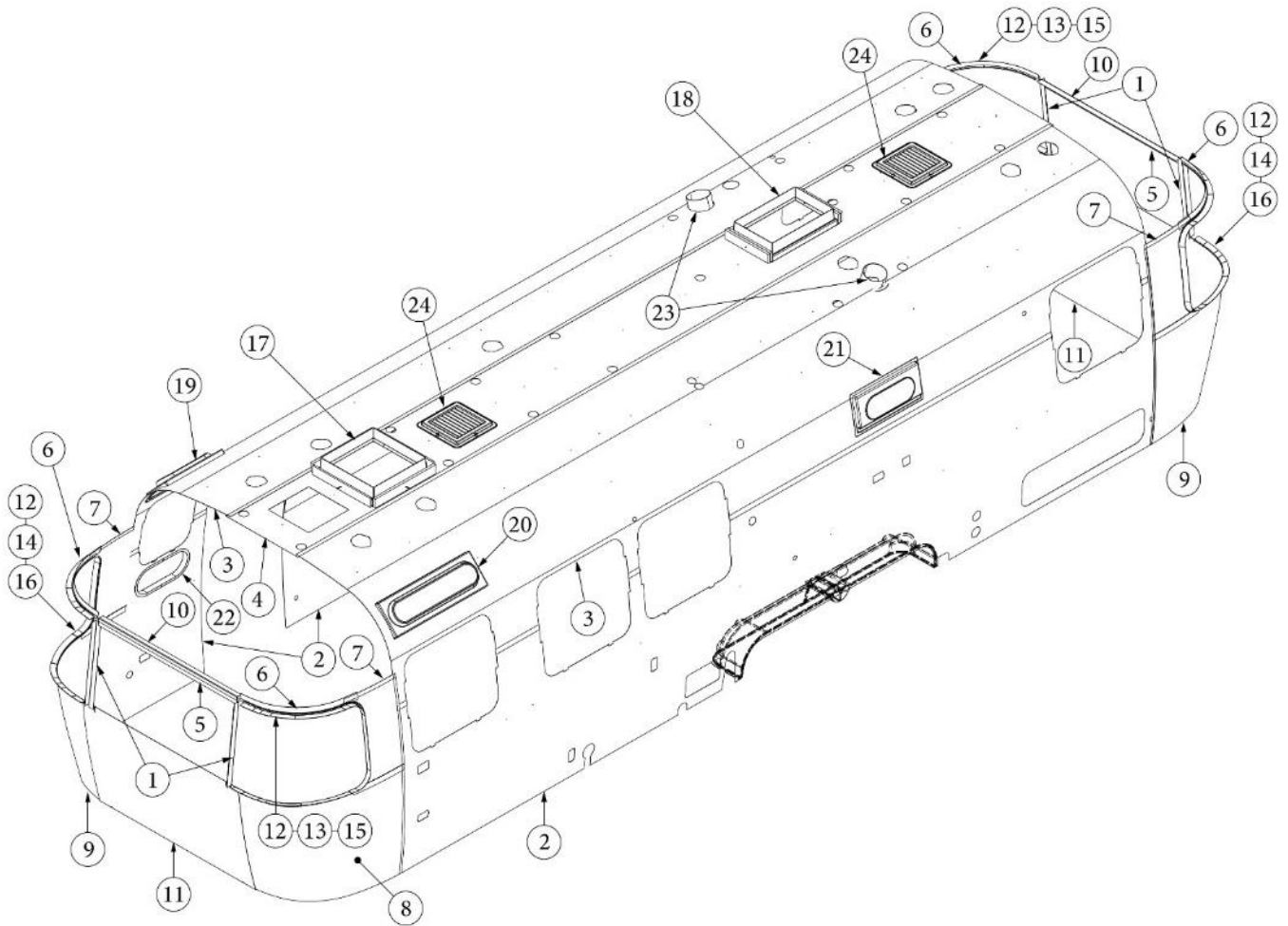
INTERIOR SHELL

Interior Skin, Queen, 30RB

113575-01	Install, Interior Skins, Trim, Queen
1. 110900	Interior trim, Front/Rear window
2. 114880-02	Aluminum sheet, Lower, .04 x 51 x 284.5"
3. 116222-02	Aluminum sheet, Upper .04 x 54 x 282.5"
4. 116223-02	Interior skin, roof, .04 x 25 x 284.5"
5. 116148-01	Trim sheet, End locker, WB
6. 116148-03	Interior skin, Window trim
7. 116151	Interior skin, Panoramic side trim
8. 116152	Interior skin, Lower end shell skin, Left
9. 116153	Interior skin, Lower end shell skin, Right
10. 116154	Bracket, Roof locker
11. 116343	Interior plate, Wide body
12. 201578-02	End cap, Trim ring, Gray
13. 201579-02	Trim ring, Lower RS, Gray
14. 201580-02	Trim ring, Lower CS, Gray
15. 201581-05	Trim ring, Upper RS, Gray
16. 201581-06	Trim ring, Upper CS, Gray
17. 203785-01	Trim ring, Skylight, Low Profile, 14 x 22
18. 203786-02	Trim ring, Skylight, Low Profile, 14 x 22
19. 203961-03	Trim ring, Interior, Vista view, 18"
20. 203961-04	Trim ring, Interior, Vista view, 30"
21. 203796	Trim ring, Bath window
22. 372268	Trim ring, Portal window, 18"
23. 690266-08	Trim ring, Bath exhaust
24. 113557	Assembly, Return grille
203225-01	Trim Lock, Gray

INTERIOR SHELL

Interior Skin, Twin, 30RB



Parts Listed on Next Page

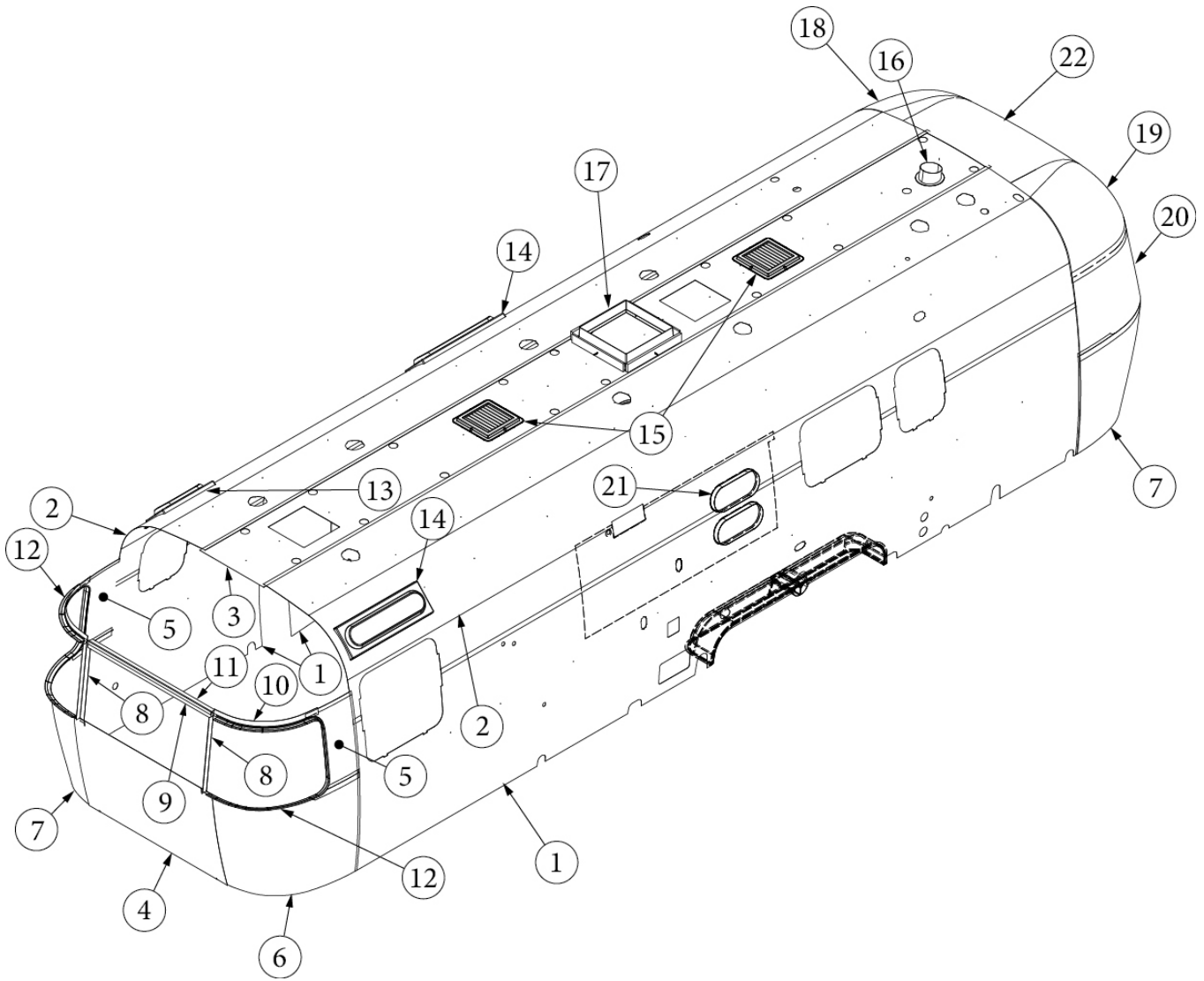
INTERIOR SHELL

Interior Skin, Twin, 30RB

113575-02	Install, Interior Skins, Trim, Twin
1. 110900	Interior trim, Front/Rear window
2. 114880-02	Aluminum sheet, Lower, .04 x 51 x 284.5"
3. 116222-02	Aluminum sheet, Upper .04 x 54 x 282.5"
4. 116223-02	Interior skin, roof, .04 x 25 x 284.5"
5. 116148-01	Trim sheet, End locker, WB
6. 116148-03	Interior skin, Window trim
7. 116151	Interior skin, Panoramic side trim
8. 116152	Interior skin, Lower end shell skin, Left
9. 116153	Interior skin, Lower end shell skin, Right
10. 116154	Bracket, Roof locker
11. 116343	Interior plate, Wide body
12. 201578-02	End cap, Trim ring, Gray
13. 201579-02	Trim ring, Lower RS, Gray
14. 201580-02	Trim ring, Lower CS, Gray
15. 201581-05	Trim ring, Upper RS, Gray
16. 201581-06	Trim ring, Upper CS, Gray
17. 203785-01	Trim ring, Skylight, Low Profile, 14 x 22
18. 203786-02	Trim ring, Skylight, Low Profile, 14 x 22
19. 203961-03	Trim ring, Interior, Vista view, 18"
20. 203961-04	Trim ring, Interior, Vista view, 30"
21. 203796	Trim ring, Bath window
22. 372268	Trim ring, Portal window, 18"
23. 690266-08	Trim ring, Bath exhaust
24. 113557	Assembly, Return grille
203225-01	Trim Lock, Gray

INTERIOR SHELL

Interior Skin, Queen, 33FB



Parts Listed on Next Page

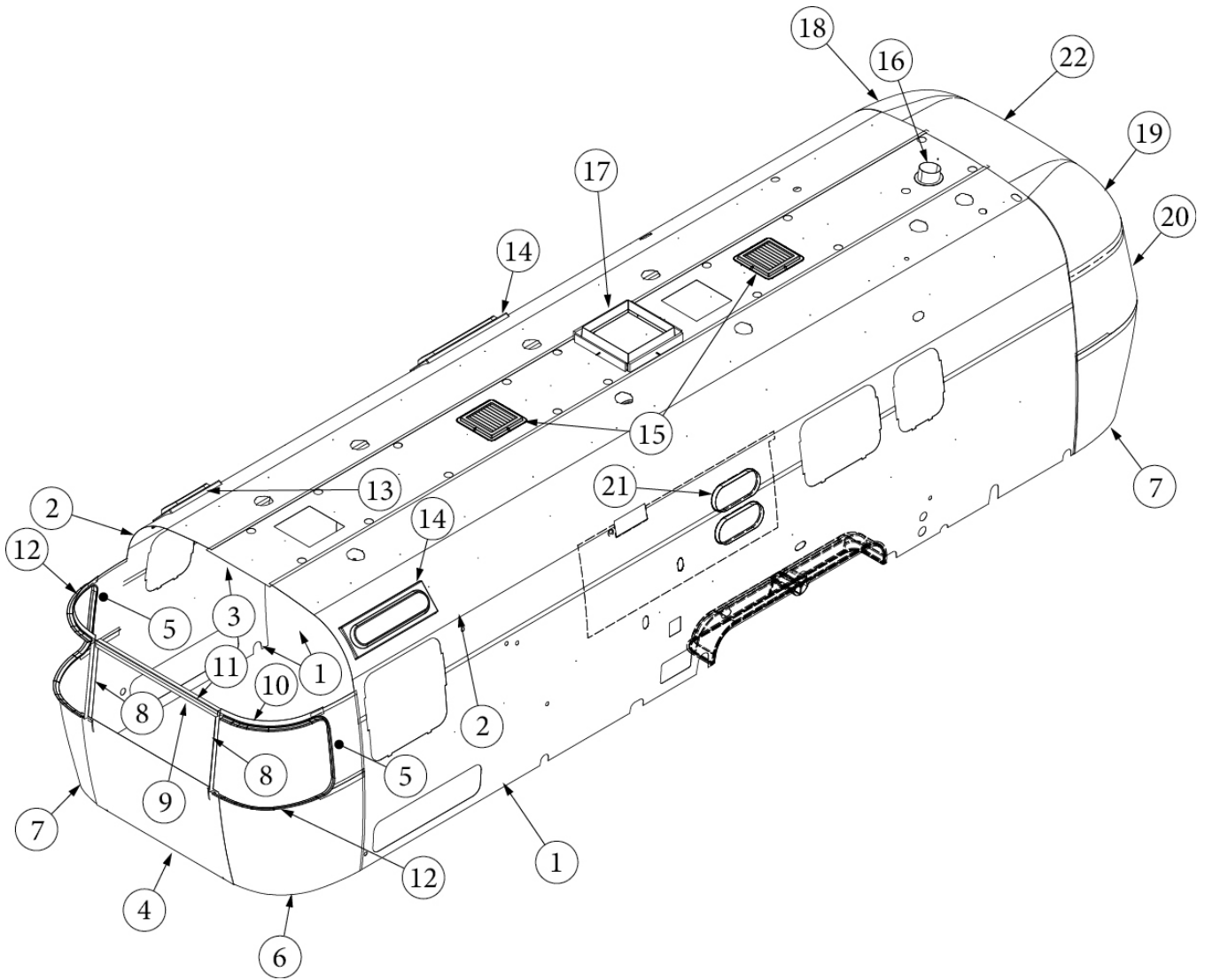
INTERIOR SHELL

Interior Skin, Queen, 33FB

113582-01	Install, Interior Skins, Trim, Queen
1. 114880-02	Aluminum sheet, Lower, .04 x 51 x 284.5"
2. 116222-02	Aluminum sheet, Upper .04 x 54 x 282.5"
3. 116223-02	Interior skin, roof, .04 x 25 x 284.5"
4. 116343	Interior plate, Wide body
5. 116151	Interior skin, Panoramic side trim
6. 116152	Interior skin, Lower end shell skin, Left
7. 116153	Interior skin, Lower end shell skin, Right
8. 110900	Interior trim, Front/Rear window
9. 116148-01	Trim sheet, End locker, WB
10. 116148-03	Interior skin, Window trim
11. 116154	Bracket, Roof locker
12. 201578-02	End cap, Trim ring, Gray
201579-02	Trim ring, Lower RS, Gray
201581-05	Trim ring, Upper RS, Gray
201580-02	Trim ring, Lower CS, Gray
201581-06	Trim ring, Upper CS, Gray
203225-01	Trim Lock, Gray
13. 203961-03	Trim ring, Interior, Vista view, 18"
14. 203961-04	Trim ring, Interior, Vista view, 30"
15. 113557	Assembly, Return grille
16. 690266-08	Trim ring, Bath exhaust
17. 203785-01	Trim ring, Skylight, Low Profile, 14 x 22
18. 116150	Interior Skin, Window Side Trim, Left
116149	Interior Skin, Window Side Trim, Right
19. 114890-01	Segment #26
20. 114891-01	Segment #27
21. 372268	Trim ring, Portal window, 18"
22. 114893-02	Segment #25
116358	Interior Plate, Rear Lower, Small Door

INTERIOR SHELL

Interior Skin, Twin, 33FB



Parts Listed on Next Page

INTERIOR SHELL

Interior Skin, Twin, 33FB

113582-02	Install, Interior Skins, Trim, Queen
1. 114880-02	Aluminum sheet, Lower, .04 x 51 x 284.5"
2. 116222-02	Aluminum sheet, Upper .04 x 54 x 282.5"
3. 116223-02	Interior skin, roof, .04 x 25 x 284.5"
4. 116343	Interior plate, Wide body
5. 116151	Interior skin, Panoramic side trim
6. 116152	Interior skin, Lower end shell skin, Left
7. 116153	Interior skin, Lower end shell skin, Right
8. 110900	Interior trim, Front/Rear window
9. 116148-01	Trim sheet, End locker, WB
10. 116148-03	Interior skin, Window trim
11. 116154	Bracket, Roof locker
12. 201578-02	End cap, Trim ring, Gray
201579-02	Trim ring, Lower RS, Gray
201581-05	Trim ring, Upper RS, Gray
201580-02	Trim ring, Lower CS, Gray
201581-06	Trim ring, Upper CS, Gray
203225-01	Trim Lock, Gray
13. 203961-03	Trim ring, Interior, Vista view, 18"
14. 203961-04	Trim ring, Interior, Vista view, 30"
15. 113557	Assembly, Return grille
16. 690266-08	Trim ring, Bath exhaust
17. 203785-01	Trim ring, Skylight, Low Profile, 14 x 22
18. 116150	Interior Skin, Window Side Trim, Left
116149	Interior Skin, Window Side Trim, Right
19. 114890-01	Segment #26
20. 114891-01	Segment #27
21. 372268	Trim ring, Portal window, 18"
22. 114893-02	Segment #25
116358	Interior Plate, Rear Lower, Small Door

INTERIOR SHELL

Galley Backsplash

802618	Backsplash, Laminate
115609-04	Backsplash backer

Interior Wheel Well Liner

204217-02	Wheel well, Inner liner, Dual axle
204218-01	Insulation, Wheel well, Dual axle, A
204218-02	Insulation, Wheel well, Dual axle, B

Main Door Threshold

115710	Extrusion, Threshold
114507-03	Door trim
381737-02	Assist handle
382194	Headnocker, Main door
702963	Vinyl embossed threshold, 1.75"

CHASSIS

Axles

410980-01	Axle, 4400#, Nev-R-Adjust
410980-01-100	Spring
410980-02-100	Hub & drum
410980-102	12" LH NEV-R Adjust Brake Assembly
410980-103	12" RH NEV-R Adjust Brake Assembly

Shocks

0220003	Shock absorber
0250173-20	Screw, Grade 5, 5/8"-18 x 2", Shock mount
0130068-818	Nut, Hex head, Flanged, 5/8", 18, Shock mount

Tires and Wheels

455642	Tire and wheel assembly, 16" Aluminum
400844-01	Center cap, Stainless Steel
400923	Lug nut, .5", Acorn type

Spare Tire and Carrier

112901-01	Install, Spare Tire Carrier
455888	Spare tire Carrier
455644	Spare tire/Wheel Assembly, with TPMS
0360501	Pin, Clevis, 3/8 x 1-3/4, #0360501
0360502	Hairpin, Cotter, .38 x 1.88, #0360502
345251	Bolt, Hex Head, 1/2-13 x 1-1/2, Gr 5
345279-04	Bolt, Hex. Head, 5/16-18 x 1in
350147-31	Nut, Nylon Lock, 5/16-18

CHASSIS

Power Stabilizing Jacks

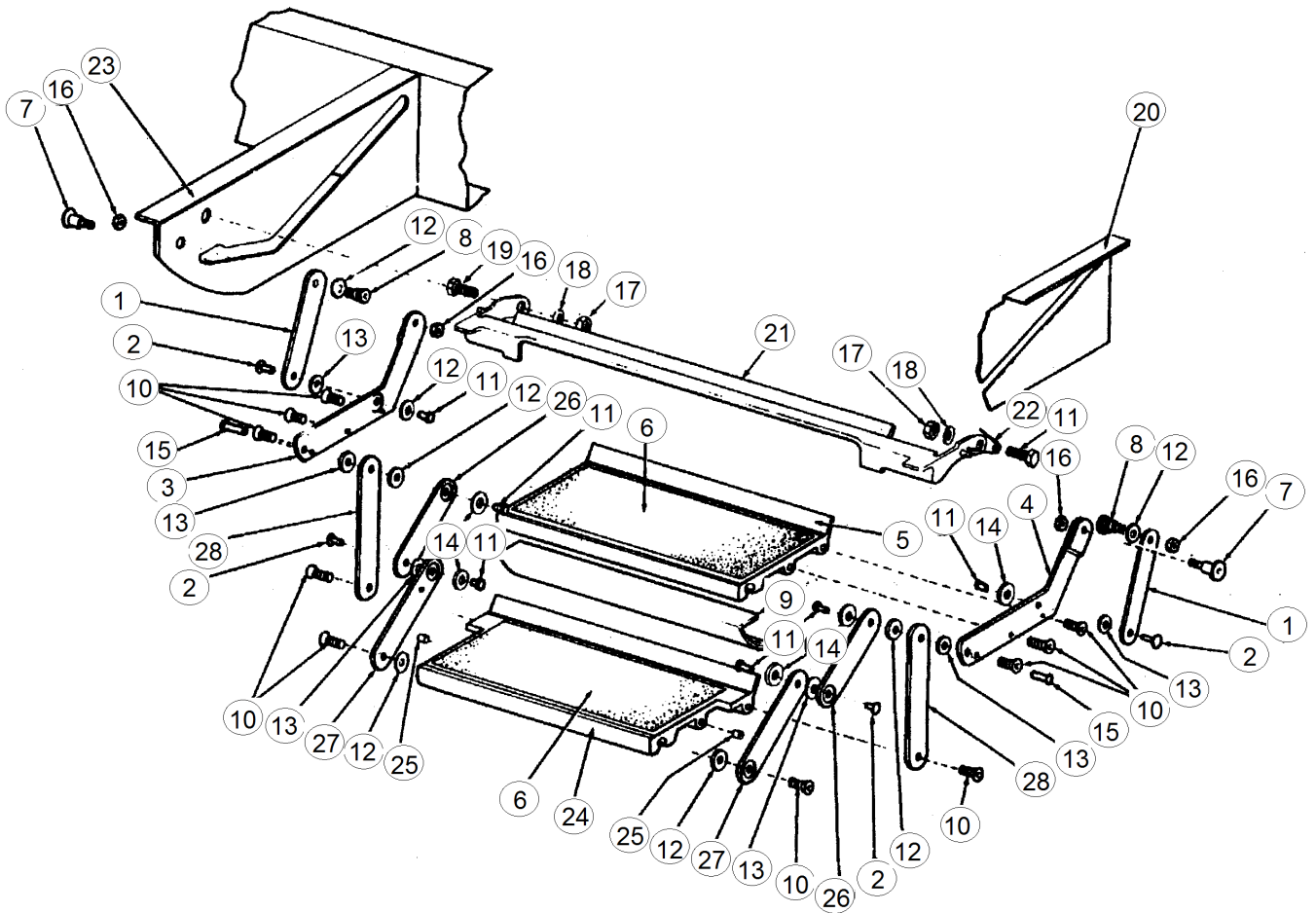
401014	Power stabilizing jack w/switch
401021	Jack handle, Manual override
115640	Stabilizer jack switch box, Lockable

Power Jack

401075-01	Power jack, 3500#, Barker
401075-0100	Crank Handle
401075-0101	Level for electric jack
513839	Fuse holder, Maxi blade 20-80A
514198-01	Maxi circuit breaker, 30A

CHASSIS

Step Assembly



Parts Listed on Next Page

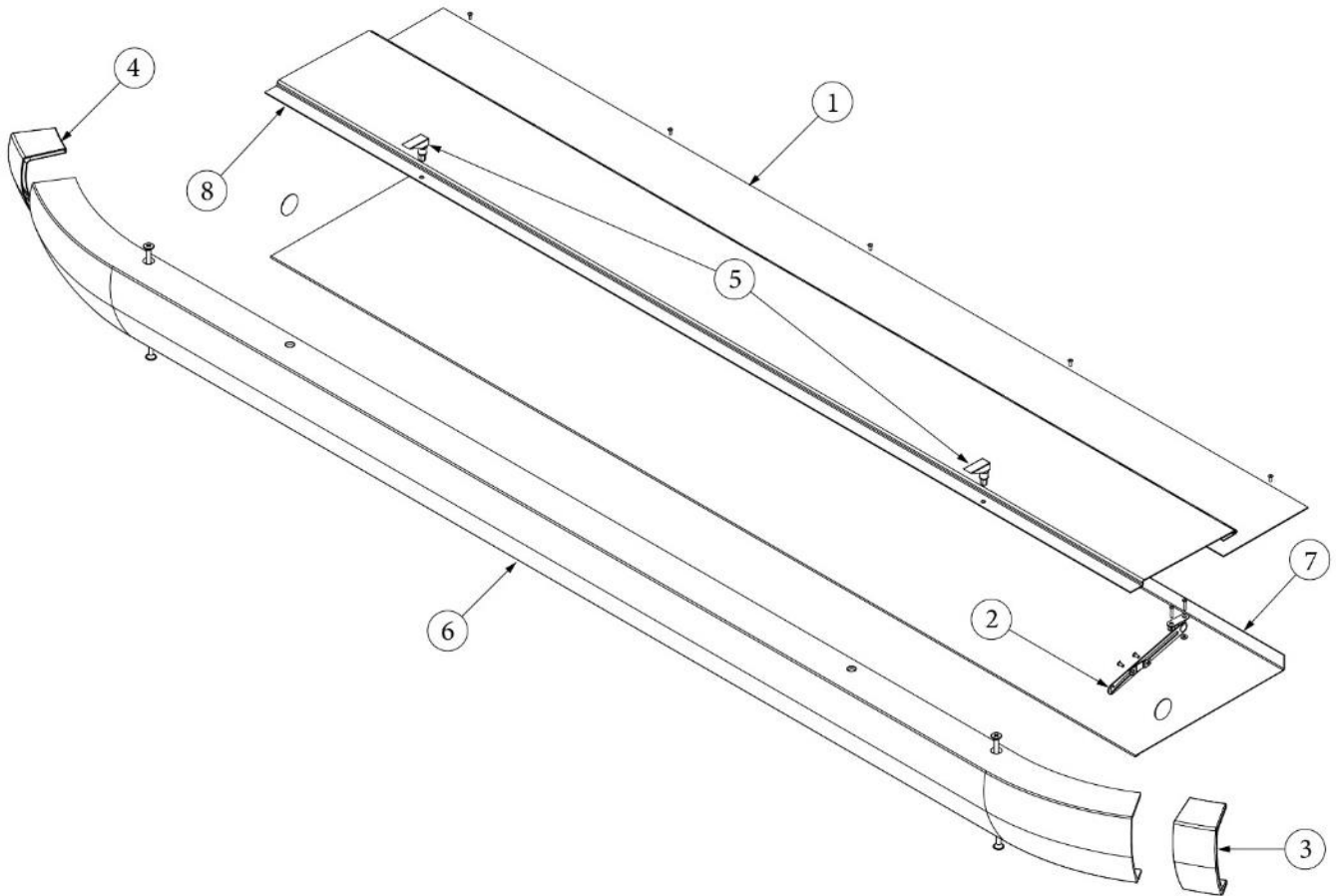
CHASSIS

Step Assembly

3440006	Double step assembly
1. 680213	Arm, upper support
2. 680214	Pin, hinge
3. 680215	Step bracket, left
4. 680216	Step bracket, right
5. 680217	Extrusion, step 20.5"
6. 380069	Safety tread
7. 382998	Slider stud, Aluminum step
8. 001145	Bolt, shoulder, 3/8" thread
9. 680220	Panel
10. 680221	Screw, flat head
11. 680222	Bolt, socket head
12. 680223	Washer, bronze
13. 680224	Washer, wave
14. 680225	Washer, aluminum
15. 680226	Pin, pivot
16. 350290	Locking Nut, Prevailing Torque, Grade C, 3/8-16
17. 350147-25	Nut, Nylock
18. 300005	Washer, flat
19. 345016	Screw, machine
20. 410523	Outrigger, RH (Not included with step assembly.
21. 100298	Casting, step release
22. 0440032	Step spring
23. 400455	Outrigger, LH (Not included with step assembly.
24. 410200	Extrusion, step, 20.0"
25. 380075	Bullet catch
26. 400004	Hinge arm, upper
27. 400003	Hinge arm, lower
28. 400005	Arm, lower support
116167-01	Underbelly wrap, Sheet Aluminum, .23 x 30 x 144"
454616	Step support strip
365001	Tape, Foam, Double Sided, White

CHASSIS

Bumper and Storage



- | | |
|--------------|--|
| 1. 114849-06 | Aluminum sheet, .06" x 36" x 8', Black |
| 2. 380024 | Arms support, Trunk lid, RH |
| 3. 382289-01 | End cap, Bumper, CS |
| 4. 382289-02 | End cap, Bumper, RS |
| 5. 382456 | Swell latch |
| 6. 411054 | Rear bumper |
| 7. 454147 | Sewer hose compartment, bottom |
| 8. 453497-01 | Lid, Rear hose carrier, Black |
| 380203-02 | Piano hinge |
| 112671-20 | Vinyl - Compartment Liner |

CHASSIS

Battery Box

455980	Assembly, Battery Box Lid, Complete
455979	Battery box, Lid only
382659-3	Battery box lid hinge
386564-01	Lock Cylinder, Cam, 1.25"
386559	Cam lock

Hose Carrier

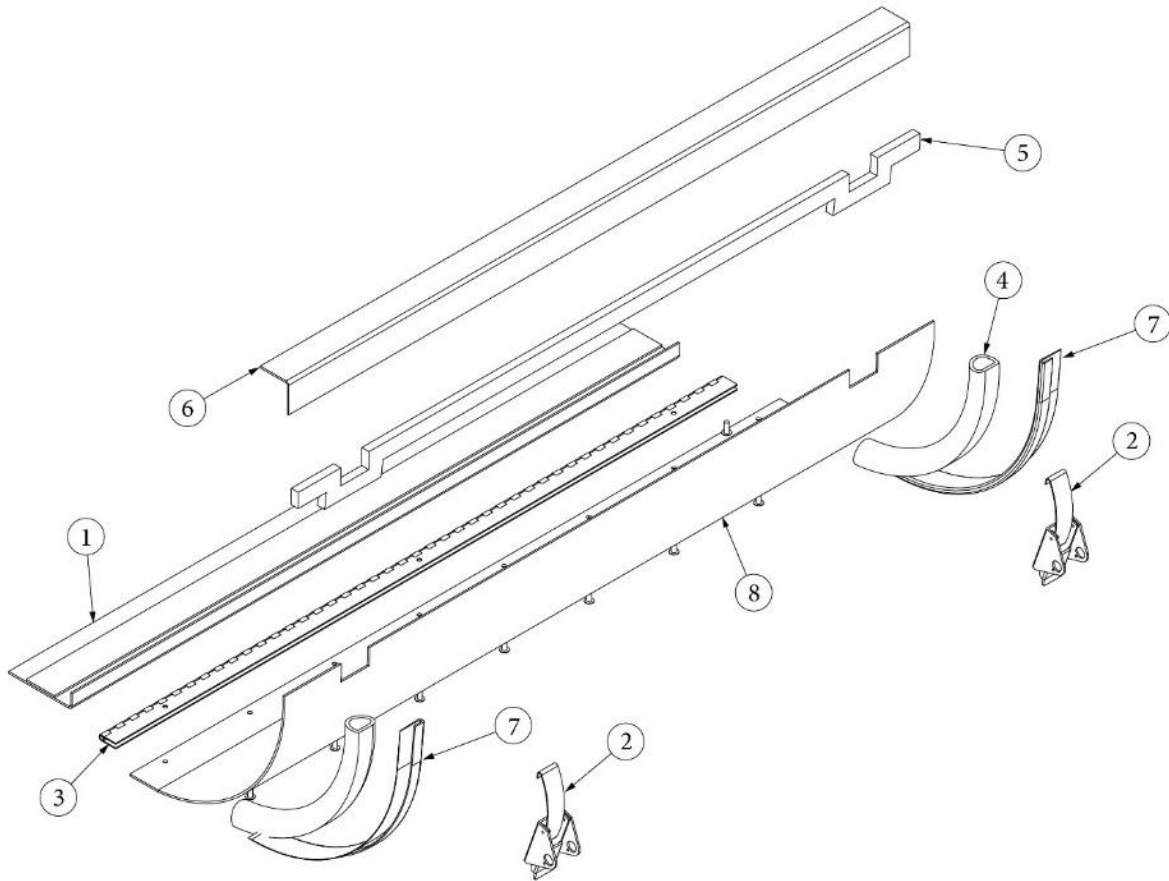
602619-02	EZ hose carrier, 64", Black
-----------	-----------------------------

Hitch Coupler

455653	Demco 2 5/16 12.5 K Coupler
455654	Adjustable coupler lock
513905	Tow Cable, 7-Way, Siliconized
410642	Safety Chain, 33"
451324	Loop, Safety Chain

CHASSIS

Utility Storage Doors



113776

Install, Utility Storage Door

- | | |
|--------------|------------------------------------|
| 1. 113776-01 | Aluminum angle, 2.25 x .5 x 21.75" |
| 2. 382561 | Latch, Compartment door, Black |
| 3. 380988 | Hinge, Continuous |
| 4. 365232 | Seal, Baggage door |
| 5. 365013 | Low density foam, Tape, Charcoal |
| 365001 | Tape, Foam, Double-sided, White |
| 6. 114812 | Aluminum angle, 1 x 1 x 22" |
| 7. 114070 | Extrusion, J-trim, Aluminum |
| 8. 114849-02 | Lid, Utility storage |

Utility Storage Boxes

- | | |
|-----------|------------------------------------|
| 116390 | Utility storage box, 24" |
| 116390-02 | Utility storage box, 52" |
| 116390-01 | Utility storage box, 75" |
| 113776-01 | Aluminum angle, 2.25 x .5 x 21.75" |

DECALS, EXTERIOR TRIM

Decals and Medallions

386388	Nameplate - Classic - 9. X 3.25"
386272	Decal, "AIRSTREAM", 2.4 x 29.19", Black Chrome
386068-01	Medallion, 3" Logo, Airstream, Main door

Belt Line Trim

116420	Extrusion, Belt line molding
201912-100	Molding, Belt line insert, Chrome
114417	Casting, Belt line close out

Rub Rail Trim

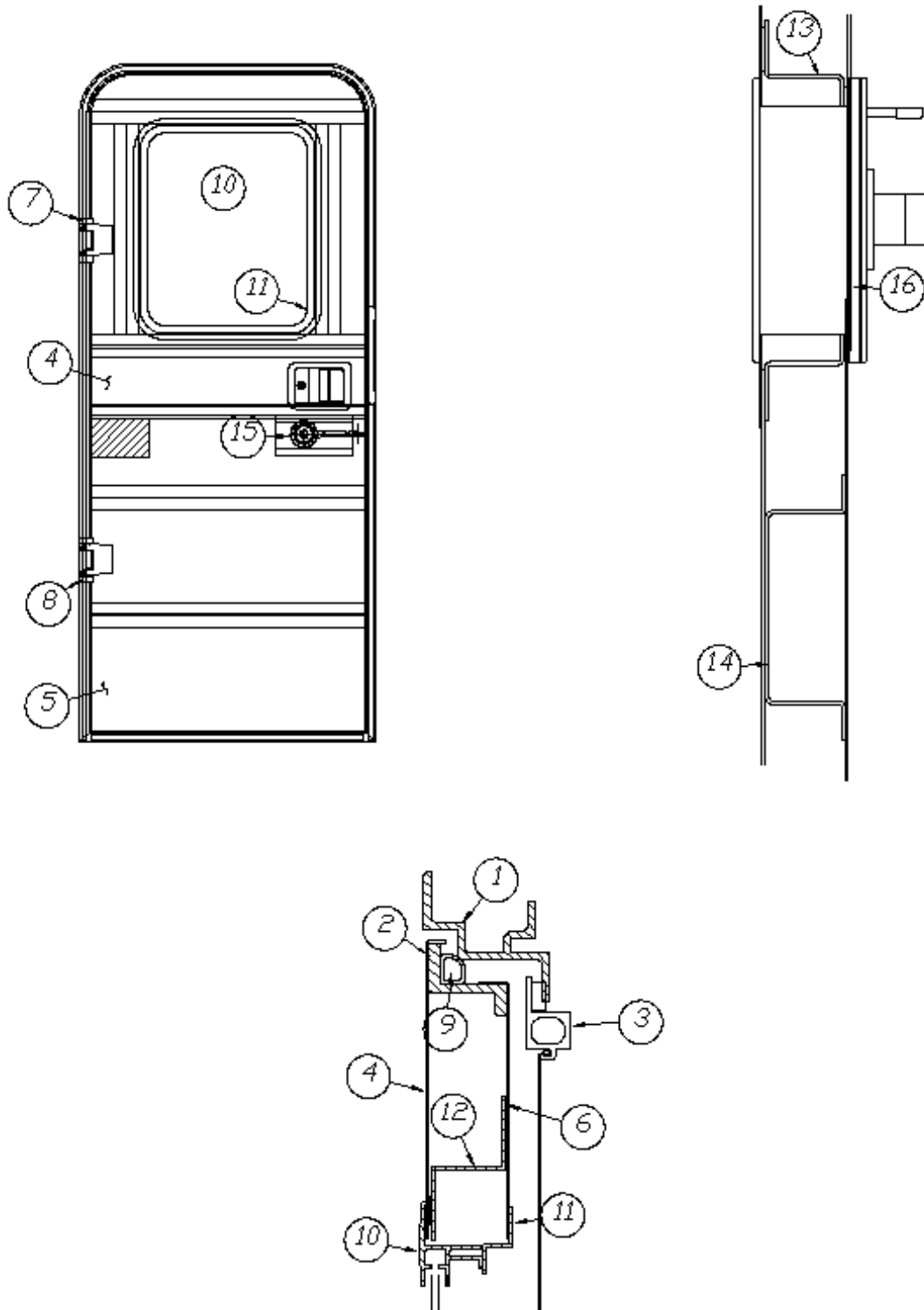
116421	Extrusion, Rub rail
201763-100	Molding, Rub rail insert, Chrome
114466-01	Casting, Close out, Rub rail, Angled, RH
114466-02	Casting, Close out, Rub rail, Angled, LH
114465-01	Casting, Close out, Rub rail, RH
114465-02	Casting, Close out, Rub rail, LH

Reflectors

500095	Reflector, Rectangular, Red
500096	Reflector, Amber
513641	Reflector, Round, Amber, 2.19"
513642	Reflector, Round, Red, 2.19"

EXTERIOR DOORS

Main Door, LH Hinge, Old Style



Parts Listed on Next Page

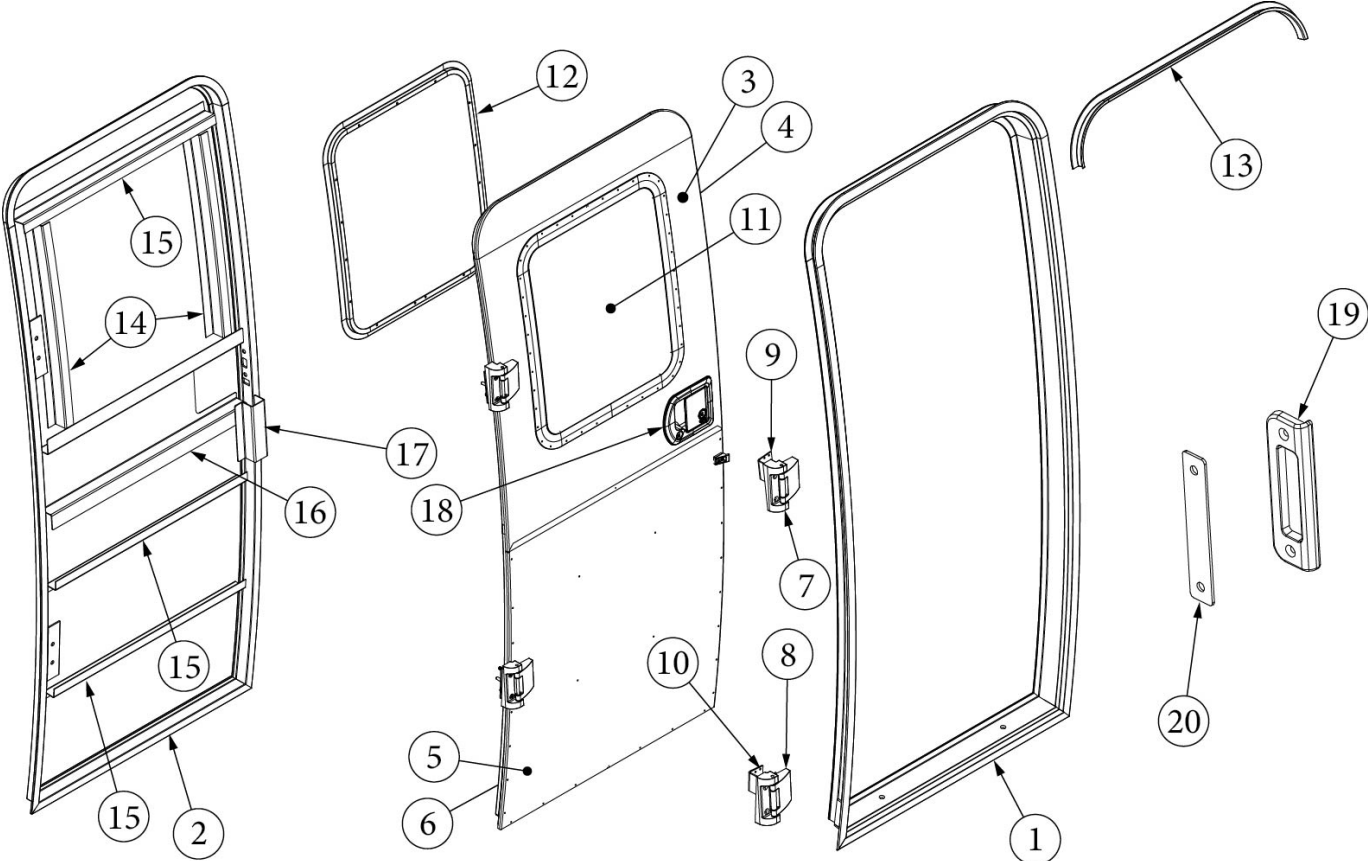
EXTERIOR DOORS

Main Door, LH Hinge, Old Style

115207	Main door, LH Hinge, 30'
1. 114652	Jamb, Main door, Pre-formed
2. 114653	Frame, Main door, Pre-formed
3. 114654	Screen door
4. 114448-03	Skin, Exterior, Upper main door
5. 114449-03	Skin, Exterior, Lower main door
6. 114475	Main door skin, Inner
7. 381552-03	Hinge, Main door, Upper
8. 381552-04	Hinge, Main door, Lower
9. 365232	Seal, Main door
10. 371400-01	Window, Main door, Etched
11. 115208	Trim ring, Main door window
12. 114658	Inner door, Z-bar, Upper & lower
13. 114657	Hat section, Formed, Main door
14. 115413	Hat section, Round dead bolt
15. 382069	Deadbolt, Round, Trimark
16. 203370	Spacer, Deadbolt
385595	Pocket strike, Main door
114363	Drip cap, Main door
380290	Housing latch
380291	Latch
201056	Striker, Main door, Black plastic
454898	Nut plate, Main door
203494	Baseplate, Door latch
382130	P-gasket w/tape backing
511344-05	Grab handle, Clear swirl handle w/Blue LED bulb

EXTERIOR DOORS

Main Door, LH Hinge, New Style



Parts Listed on Next Page

EXTERIOR DOORS

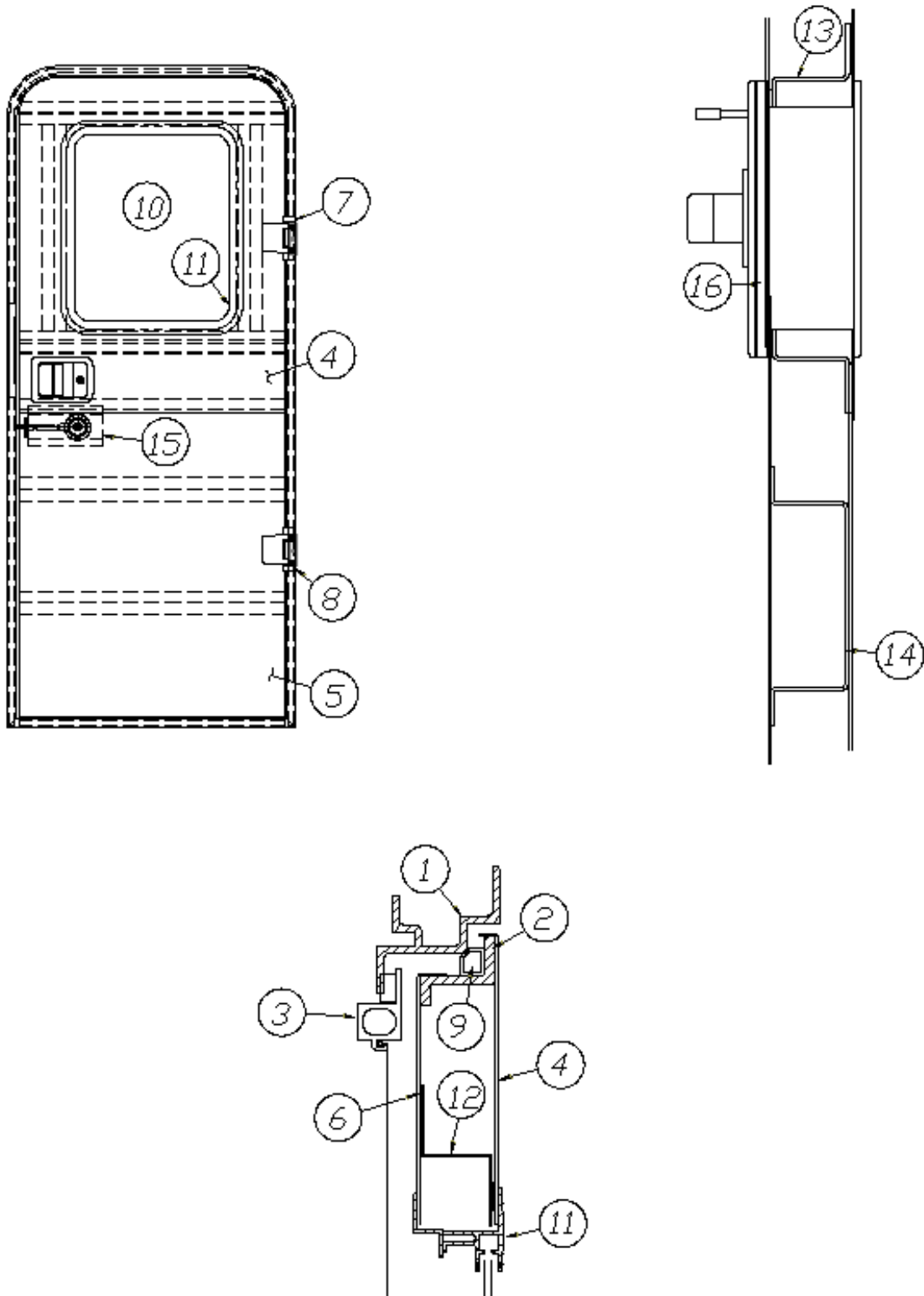
Main Door, LH Hinge, New Style

116515-02*	Main Door, 28RB, 30RB, 30FB Bunk and Office
1. 116508-02	Weldment, Jamb, Main Door, RH
2. 116507-02	Weldment, Frame, Main Door, RH
3. 116531-02	Skin, Entry Door, Exterior, Upper
4. 116532-03	Skin, Entry Door, Interior, Upper
5. 116531-04	Skin, Entry Door, Exterior, Lower
6. 116532-04	Skin, Entry Door, Interior, Lower
7. 381552-03	Hinge, Main door, Upper
8. 381552-04	Hinge, Main door, Lower
9. 381531-01	Hinge, Screen Door, Lower
10. 381531-02	Hinge, Screen Door, Upper
11. 371400-01	Window, Main door
12. 115208	Window Frame, Main Door, Interior
13. 114363	Drip cap, Main door
14. 114658	Z-Section, Main Door, Vertical
15. 114658-03	Z Section, Main Door, Horizontal
16. 116275	Hat Section, Main Entry Door
17. 116517	Latch Brace, Entry Door Latch
18. 383017-01	Outer Latch Assembly, W/Deadbolt
383017-02	Inner Latch Assembly, W/Deadbolt
383017-03	Screw Kit, Inside Handle Mounting
19. 116274	Striker Catch, Main Door
20. 116509	Backer Plate, Striker Catch, Main Door
454898	Nut plate, Hinge, Main door
201056	Catch, Striker, main door hold-back
203620	Spacer, Striker, main door hold-back
380291	Main Door Hold-Back
203494	Base Plate, Main Door Hold-Back
365232	Seal, Main door
365013	Seal Foam Tape, Screen Door
365222-02	Tape, VHB, Double Sided, Grey
365001	Tape, Double Coated, Foam
365334	Sealfoam Tape, 7#, w/PSA, 1/8" x 9/16"
203740-01	Insulation, Eco-Batt, Fiberglass
365335	Tape, Sealfoam, w/PSA, .75"
365016	Tape, Double Coated, Foam, 1/2"
382130	P-Gasket, w/3M Tape

*116515-02 (LH main door) replaced 115207 (LH main door) Mid model year

EXTERIOR DOORS

Main Door, RH Hinge, Old Style



Parts Listed on Next Page

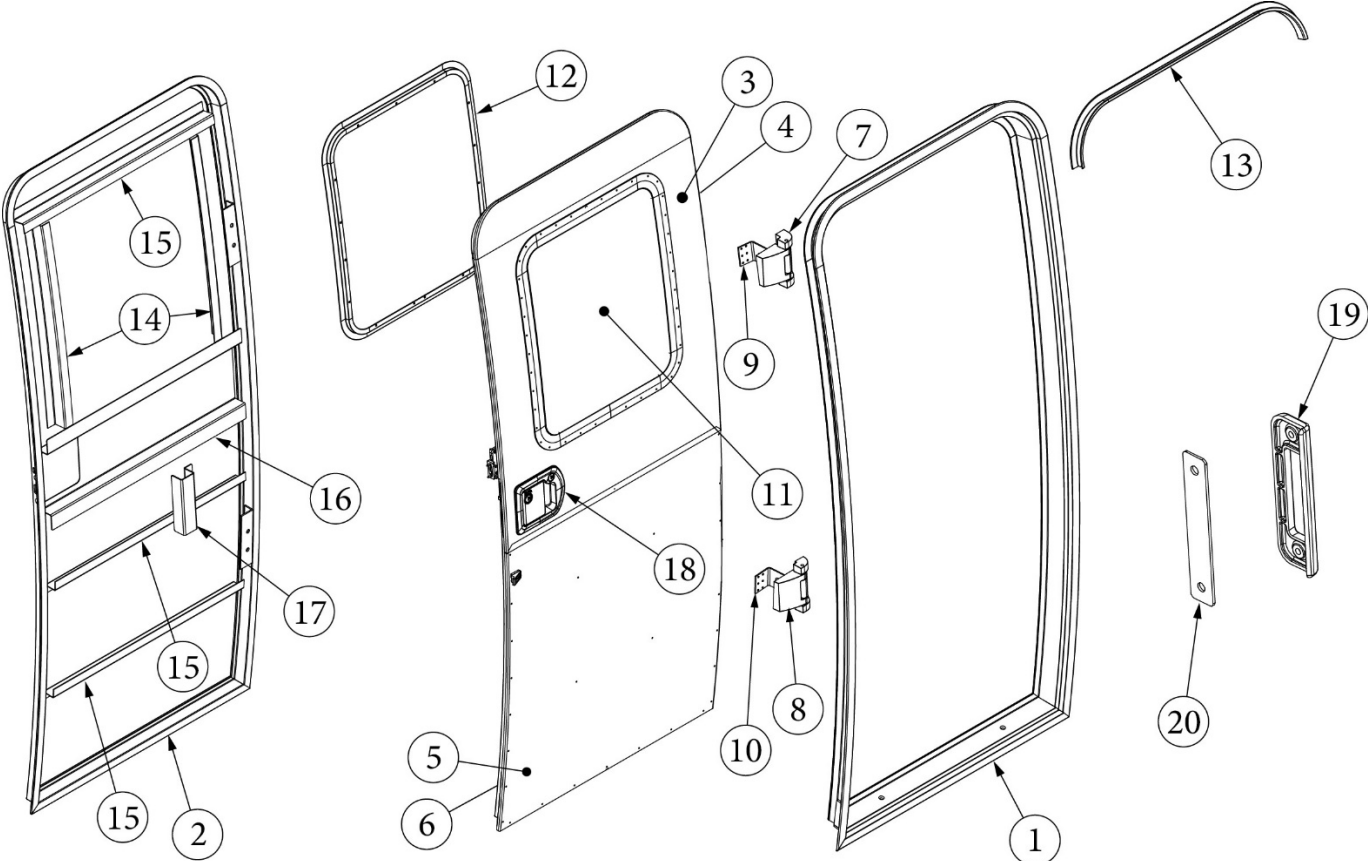
EXTERIOR DOORS

Main Door, RH Hinge, Old Style

115207-05	Main Door, RH Hinge, 33FB
1. 114652	Jamb, Main door, Pre-formed
2. 114653-01	Frame, Main door, Pre-formed
3. 114654-01	Screen door, RH Hinge
4. 114448-03	Skin, Exterior, Upper main door
5. 114449-03	Skin, Exterior, Lower main door
6. 114475	Main door skin, Inner
7. 381552-02	Hinge, Main door, Upper
8. 381552-01	Hinge, Main door Lower
9. 365232	Seal, Main door
10. 371400-01	Window, Main door
11. 115208	Trim ring, Main door window
12. 114658	Inner door, Z-bar, Upper & lower
13. 114657	Hat section, Formed, Main door
14. 115413	Door hat section
15. 382069	Deadbolt, Round, Trimark
16. 203370	Spacer, Trimark door Latch
385595	Pocket strike, Main door
114363	Drip cap, Main door
380290	Housing latch
380291	Latch
201056	Striker, Main door, Black plastic
454898	Nut plate, Main door
203494	Baseplate, Door latch
382130	P-gasket w/tape backing
511344-05	Grab handle, Clear swirl handle w/Blue LED bulb

EXTERIOR DOORS

Main Door, RH Hinge, New Style



Parts Listed on Next Page

EXTERIOR DOORS

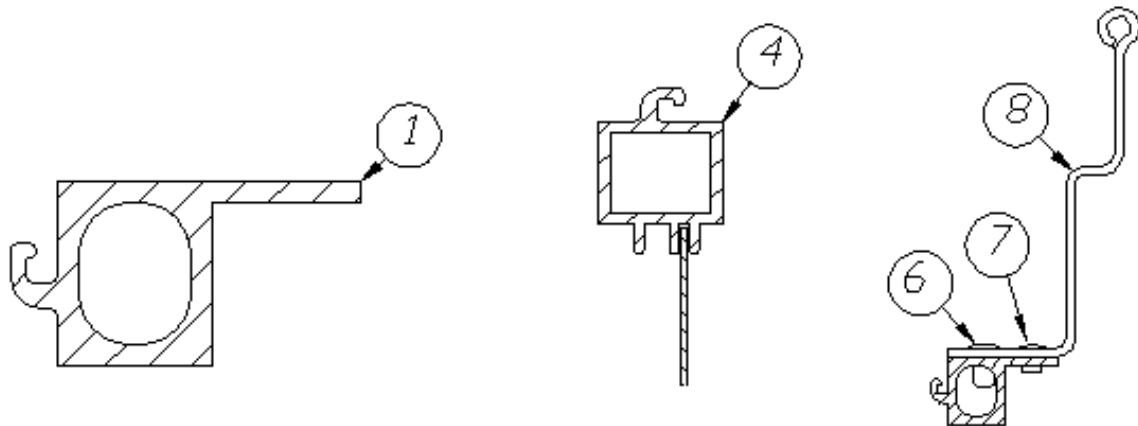
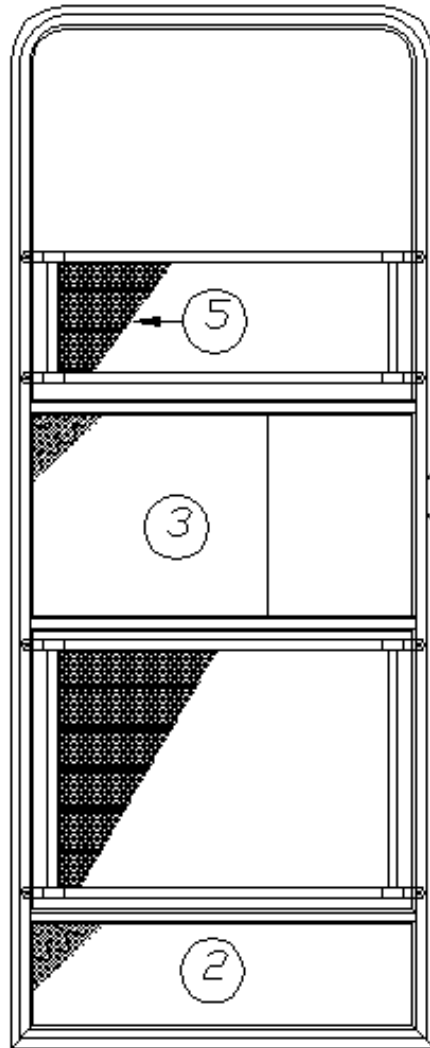
Main Door, RH Hinge, New Style

116515-01*	Main Door, 23FB, 25FB, 27FB
1. 116508-01	Weldment, Jamb, Main Door, RH
2. 116507-01	Weldment, Frame, Main Door, RH
3. 116531-01	Skin, Entry Door, Exterior, Upper
4. 116532-01	Skin, Entry Door, Interior, Upper
5. 116531-03	Skin, Entry Door, Exterior, Lower
6. 116532-02	Skin, Entry Door, Interior, Lower
7. 381552-02	Hinge, Main door, Upper
8. 381552-01	Hinge, Main door, Lower
9. 381531-01	Hinge, Screen Door, Upper
10. 381531-02	Hinge, Screen Door, Lower
11. 371400-01	Window, Main door
12. 115208	Window Frame, Main Door, Interior
13. 114363	Drip cap, Main door
14. 114658	Z-Section, Main Door, Vertical
15. 114658-03	Z Section, Main Door, Horizontal
16. 116275	Hat Section, Main Entry Door
17. 116517	Latch Brace, Entry Door Latch
18. 383017-01	Outer Latch Assembly, W/Deadbolt
383017-02	Inner Latch Assembly, W/Deadbolt
383017-03	Screw Kit, Inside Handle Mounting
19. 116274	Striker Catch, Main Door
20. 116509	Backer Plate, Striker Catch, Main Door
454898	Nut plate, Hinge, Main door
201056	Catch, Striker, main door hold-back
203620	Spacer, Striker, main door hold-back
380291	Main Door Hold-Back
203494	Base Plate, Main Door Hold-Back
365232	Seal, Main door
365013	Seal Foam Tape, Screen Door
365222-02	Tape, VHB, Double Sided, Grey
365001	Tape, Double Coated, Foam
365334	Sealfoam Tape, 7#, w/PSA, 1/8" x 9/16"
203740-01	Insulation, Eco-Batt, Fiberglass
365335	Tape, Sealfoam, w/PSA, .75"
365016	Tape, Double Coated, Foam, 1/2"
382130	P-Gasket, w/3M Tape

*116515-01 (RH main door) replaced 115207-05 (RH main door) Mid model year

EXTERIOR DOORS

Screen Door, Old Style



Parts Listed on Next Page

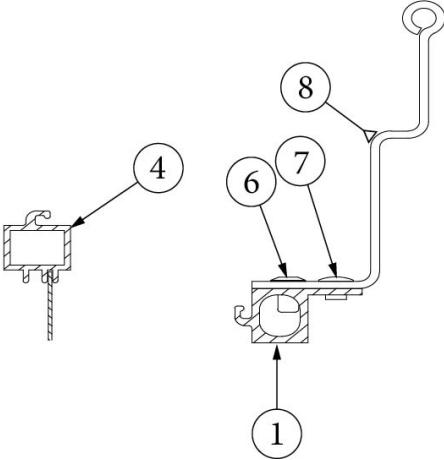
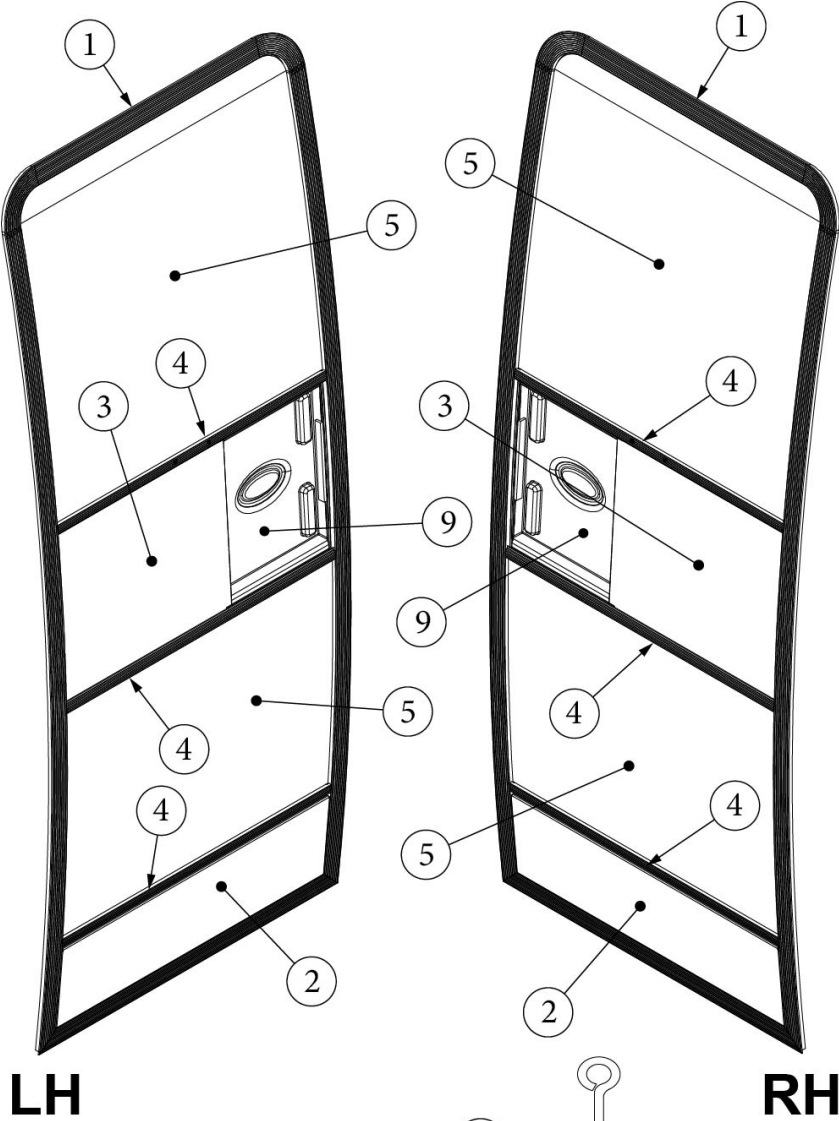
EXTERIOR DOORS

Screen Door, Old Style

114654	Screen Door, LH Hinge
114654-01	Screen Door, RH Hinge
1. 104782-186	Extrusion, Frame
2. 114648-01	Kick panel
3. 114561-01	Panel, Slider
4. 104784-78	Extrusion, Screen door stiffener
5. 380079	Screen, Gray
6. 330153	Rivet, 5/32, Mill finish
7. 325122	Rivet, 5/32, Brazier head
8. 385577-02	Tape, Clear, 1-7/8" wide
380004	Handle with 8/32" x 1 screw
203287-02	Close out, Plastic
115171-01	Screen door guard, Top
115171-02	Screen door guard, Bottom
0404-0001	Spline, Gray
701624	Velcro, loop 5/8" wide
701625	Velcro, hook 5/8" wide
383024	Latch, Screen Door, RH
383025	Latch, Screen Door, LH
383026	Striker Plate, Screen Door
386068-01	Medallion, 3" Logo, Airstream, Main door

EXTERIOR DOORS

Screen Door, New Style



Parts Listed on Next Page

EXTERIOR DOORS

Screen Door, New Style

116516-01*	Screen door, RH
116516-02*	Screen Door, LH
1. 104782-186	Extrusion, Frame
2. 114648-01	Kick panel
3. 114561-01	Pre laminate, Slider
4. 104784-78	Extrusion, Screen door stiffener
5. 380079	Screen, Gray
6. 330153	Rivet, 5/32, Mill finish
7. 325122	Rivet, 5/32, Brazier head
8. 385577-02	Tape, Clear, 1-7/8" wide
9. 203287-02	Close out, Plastic
365013	Seal Foam Tape, Screen Door
380004	Handle with 8/32" x 1 screw
115171-01	Screen door guard, Top
115171-02	Screen door guard, Bottom
0404-0001	Spline, Gray
381531-01	Hinge, Screen Door, Upper
381531-02	Hinge, Screen Door, Lower
383024	Latch, Screen Door, RH
383025	Latch, Screen Door, LH
383026-01	Striker Plate, Screen Door
386068-01	Medallion, 3" Logo, Airstream, Main door

*116516-01 (RH screen door) replaced 114654-01 (RH Screen door) Mid model year

*116516-02 (LH screen door) replaced 114654 (LH screen door) Mid model year

EXTERIOR DOORS

Access Door, Battery Lid

455980	Assembly, Battery Box Lid, Complete
455979	Battery box, Lid only
382659-3	Battery box lid hinge
386564-01	Lock Cylinder, Cam, 1.25"
386559	Cam lock

Access Door, Stabilizer Jack Switch Box

115640	Stabilizer jack switch box
--------	----------------------------

Access Door, Small

923467	Compartment door assembly, Small
923467-01	Compartment Door, Small
382230-03	Compression latch, Locking
382638-1	Hinge, Small compartment door
381065-10	Cable support, 10"
116055-1	Frame, Small compartment door
382650	Seal, Compartment door
382737	Gasket, Compartment door closeout

Access Door, Large

923468	Compartment door assembly, Large
923468-01	Compartment door, Large
382230-03	Latch-Compression - Locking
382638-2	Hinge-Compartment Door, Large
381065-10	10"" Cable Support
116055-2	Frame- Compartment Door-Large
382650	Seal-Compartment Door
382737	Gasket-Compartment Door Closeout

EXTERIOR DOORS

Access Door, Fresh Water Tank Fill

115626 Water fill w/lock, Stainless Steel
365528 Gasket Kit, Wall Mechanicals

Access Door, Exterior Shower

115627 Exterior shower, Stainless Steel
115627-200 Lock and key set
365528 Gasket Kit, Wall Mechanicals

Access Door, Utility Storage Door

113776 Install, Utility Storage Doors
365528 Gasket Kit, Wall Mechanicals

WINDOWS

Windows and Screens, 30RB

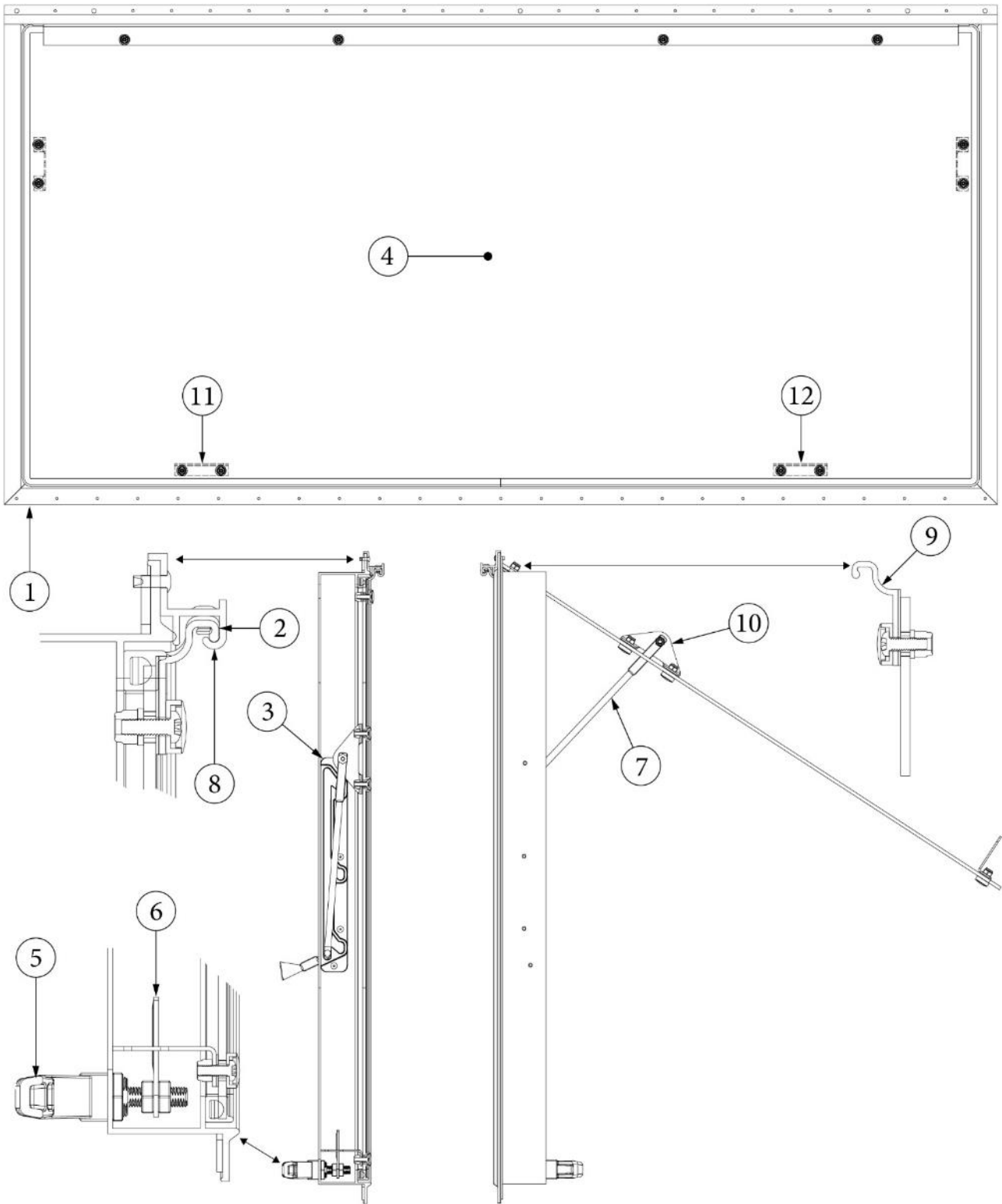
371346-02	Window, Flat, Dark glass
372088-101	Window, Panoramic, RS front, CS rear
372089-101	Window, Panoramic, CS front, RS rear
371323-01	Window, Opening, 18"
371436	Window, Stacked, 18"
371380	Window, Opening, Tall, 30"
371400-01	Window, Main door
371380-01	Window, Opening, Egress, 30"
371347-03	Screen assembly, Flat, Wide body, Front, 50"
371347-04	Screen assembly, Flat, Wide body, 50"
372174-03	Screen, Opening window, 18"
372215-01	Screen, Opening window, Tall, 30"

Windows and Screens, 33FB

371346-02	Window, Flat, Dark glass
371348-02	Window, Rear opening
372088-101	Window, Panoramic, RS front, CS rear
372089-101	Window, Panoramic, CS front, RS rear
371323-01	Window, Curved 18" opening
371324-02	Window, 30", Opening
371436	Window, 18" stack
371380	Window, 30" tall, Opening
371400-01	Window, Main door
371380-01	Window, 30" opening, Egress
371349-03	Screen, Rear escape
372174-03	Screen, Opening window, 18"
372175-04	Screen, Opening window, 30"
372215-01	Screen, Opening window, Tall, 30"
372215-04	Screen, Egress, Opening window, Tall, 30"
371347-03	Screen assembly, Flat, Wide body, Front, 50"

WINDOWS

Windows, Front and Rear 30RB, Front 33FB



Parts Listed on Next Page

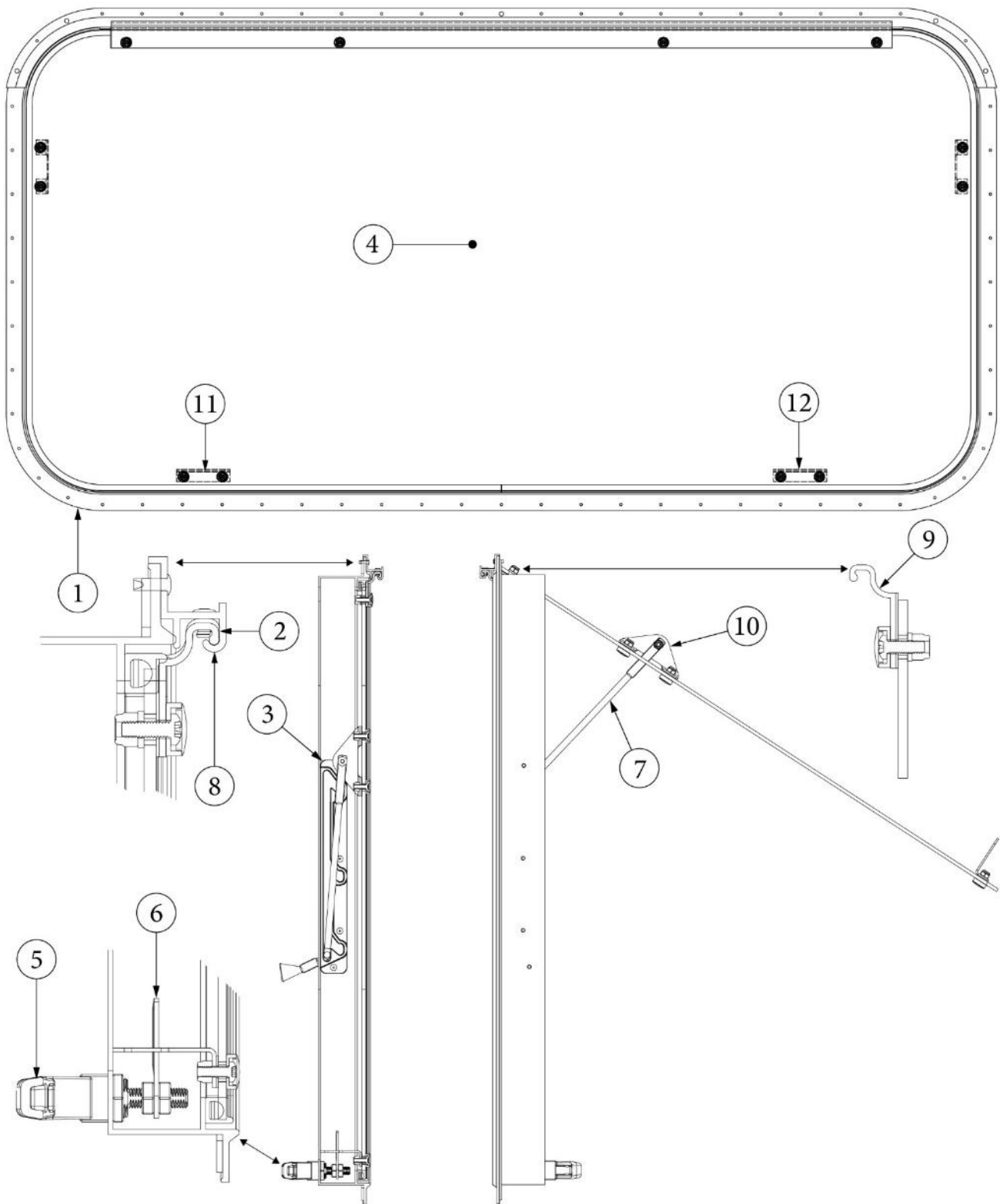
WINDOWS

Windows, Front and Rear 30RB, Front 33FB

371346-02	Window, Front, Flat
371346-01	Window, Rear, Flat, Egress
1. 371446-02	Extrusion, Exterior window frame
2. 115770	Hinge stop
3. 382359	Opening window guide, LH, Black Nylon
382360	Opening window guide, RH, Black Nylon
4. 195510-24	Assembly, Rear window glass
5. 382367-01	Assembly, Window latch (non-emergency)
382367-02	Assembly, Window latch (emergency)
6. 115776	Lock Paw, Window latch assembly
7. 382361	Window opening arm, LH
382362	Window opening arm, RH
8. 371449-01	Extrusion, Window hinge, Fixed, 51"
9. 371450-04	Extrusion, Window hinge, Glass, 47"
10. 114478	Bracket, Window prop
11. 114479-01	Bracket, Window closer, Right
12. 114479-02	Bracket, Window closer, Left
371355	Glass only, Flat window
115780-01	Latch handle (non-emergency)
115780-02	Latch handle (emergency)
115779	Latch shaft
310030	Drive lock pin (latch shaft)
115778	Latch body
382356	Latch spring
382358	Snap cap, Screw cover
380230-03	Knob, Window arm, plastic, Silver
380230-04	Knob, Window arm, plastic, Red

WINDOWS

Window, Rear, 33FB



Parts Listed on Next Page

WINDOWS

Window, Rear, 33FB

371348-02	Window, Rear, Opening, 33FB
1. 371445-01	Extrusion, Exterior window frame
2. 115770	Hinge stop
3. 382359	Opening window guide, LH, Black Nylon
382360	Opening window guide, RH, Black Nylon
4. 195510-29	Assembly, Rear window glass
5. 382367-01	Assembly, Window latch (non-emergency)
382367-02	Assembly, Window latch (emergency)
6. 115776	Lock Paw, Window latch assembly
7. 382361	Window opening arm, LH
382362	Window opening arm, RH
8. 371448-01	Extrusion, Window hinge, Fixed, 51"
9. 371450-05	Extrusion, Window hinge, Glass, 47"
10. 114478	Bracket, Window prop
11. 114479-01	Bracket, Window closer, Right
12. 114479-02	Bracket, Window closer, Left
371354	Glass only, Flat window
115780-01	Latch handle (non-emergency)
115780-02	Latch handle (emergency)
115779	Latch shaft
310030	Drive lock pin (latch shaft)
115778	Latch body
382356	Latch spring
382358	Snap cap, Screw cover
380230-03	Knob, Window arm, plastic, Silver
380230-04	Knob, Window arm, plastic, Red
382117	Gasket, Rectangle, 11.38'

WINDOWS

Window Screen Assembly

683946	Seal, Fuzz Gray (screen)
380079	Screen, Gray
0404-0001	Spline, Gray

Vista View Window, 18"

371437-01	Vista view window, 18"
203961-03	Trim ring, 18" vista view
704921-04	Shade, Pleated, Vista view, 19.5 x 9.5"
372272-01	Sash, 18"
365367	Foam tape, Automotive

Vista View Window, 30"

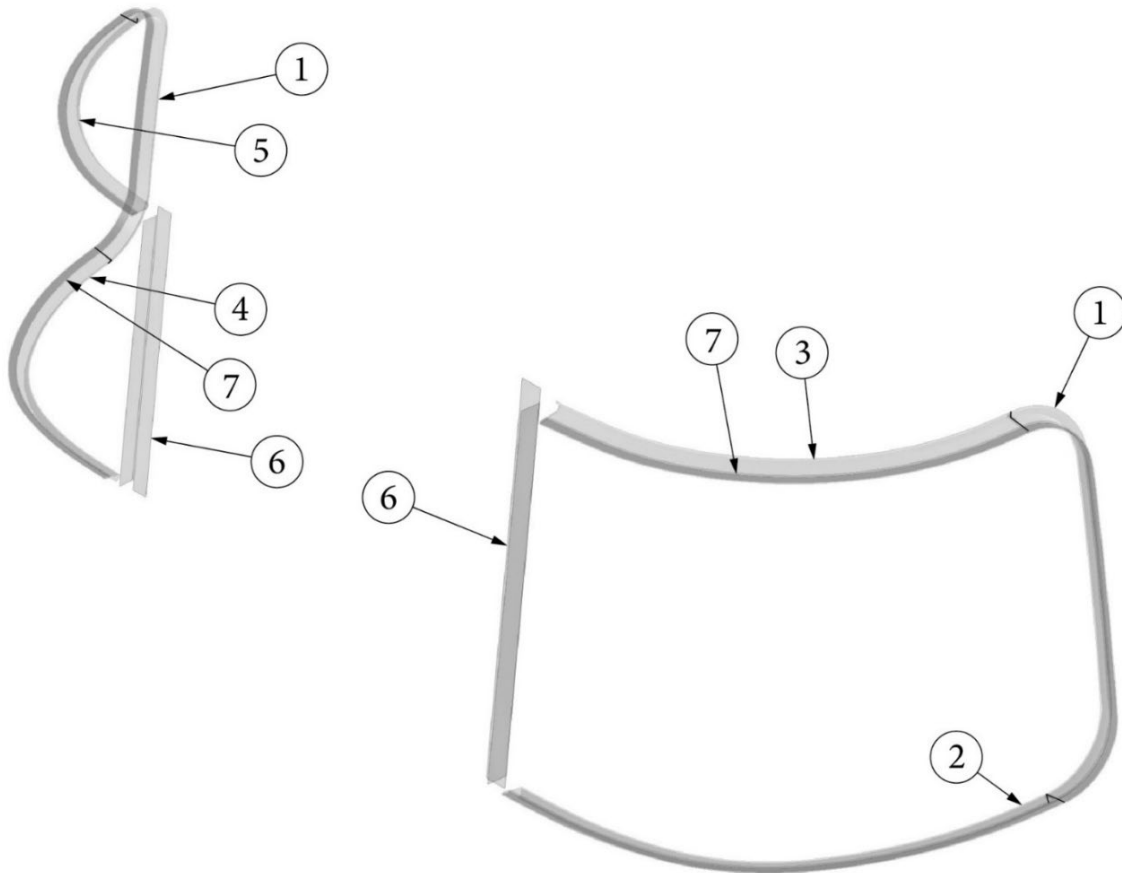
371437-02	Vista view window, 30"
203961-04	Trim ring, 30" vista view
704921-05	Shade, Pleated, Vista view, 31 x 9.5"
372272-02	Sash, 30"
365367	Foam tape, Automotive

WINDOWS

Window Trim

372268	Trim ring, 18", Stacked, Aluminum
372270	Trim ring, Inner support, 18"
115208	Trim ring, Main door window
203796	Trim ring, Bath window

Panoramic Window Trim

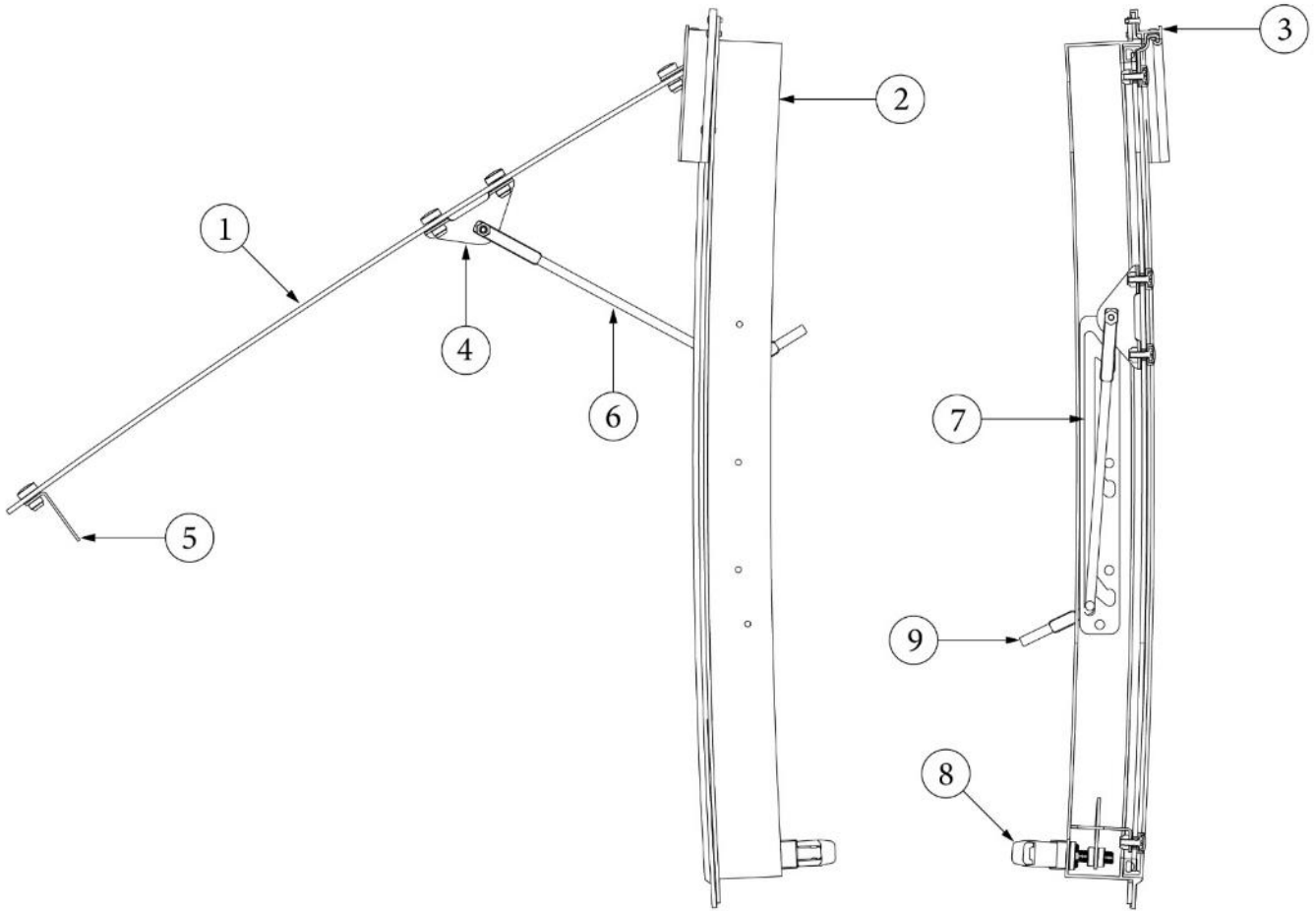


135394	Install, Panoramic Window Trim, CS
135395	Install, Panoramic Window Trim, RS

1. 201578-02	End cap, Trim ring, Aluminum
2. 201579-02	Trim ring, Lower, Aluminum
3. 201581-05	Trim ring, Upper, Aluminum
4. 201580-02	Trim ring, Lower, Aluminum
5. 201581-06	Trim ring, Upper, Aluminum
6. 110900	Trim formed, Aluminum.
7. 203225-01	Trim Lok, Gray, .75" #1375-1/8, G-7

WINDOWS

Window Parts, Opening Windows



Parts Listed on Next Page

WINDOWS

Window Parts, Opening Windows

371323-01	Window, 18", Opening
371324-02	Window, 30", Opening
371380	Window, 30" tall, Opening
1. 195510-12	Glass assembly, 18" window
195510-07	Glass assembly, 30" opening window
195510-93	Glass assembly, 30" tall window
2. 371447-03	Frame assembly, 18" window
371447-02	Frame assembly, 30" window
371447-01	Frame assembly, 30" tall window
3. 371448-07	Extrusion, Window hinge eyebrow, Fixed, 18" window
371448-06	Extrusion, Window hinge eyebrow, Fixed, 30" window
371448-05	Extrusion, Window hinge eyebrow, Fixed, 30" window
4. 114478	Bracket, Window prop
5. 114479-01	Bracket, Window closer, RH
114479-02	Bracket, Window closer, LH
6. 382362	Opening arm, RH
382361	Opening arm, LH
7. 382360	Guide, Operating arm, RH
382359	Guide, Operating arm, LH
8. 382367-01	Latch assembly, Chrome
115780-01	Handle, Chrome
9. 380230-03	Knob, Window arm, Silver
380230-04	Knob, Window arm, Red
115776	Lock paw, Window latch
115770	Hinge stop
115778	Latch body, Zinc die cast
115779	Latch shaft
310030	Drive lock pin, 5/32 x 5/8

WINDOWS

Window Stone Guards

110188-01	3-piece stone guard
685275-101	CS wrap window solar protector, Stone guard
685275-102	RS wrap window solar protector, Stone guard
110102	Stone guard, Center piece only
685358	Turn fast stud
685362	Retainer, Split ring
685359	Rubber receptacle
685361	Bracket for rubber receptacle
685361-01	Bracket for rubber receptacle
685363	Slip joint hinge, SS
381021-01	Draw latch, Flexible
685354	Front window key, 90° angle
685378-01	Rubber spline, 1/4"
685351	Frame gasket, Black
114749	Y-hinge
114750	J-hinge

AWNINGS

Awnings, Windows

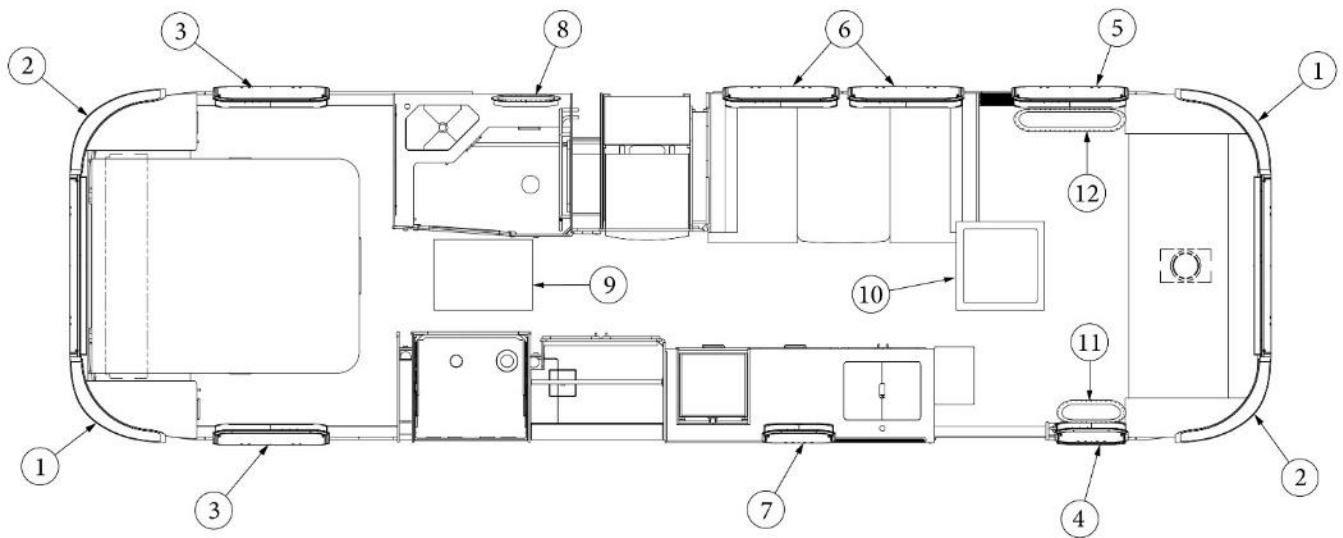
704826-39	Awning, 17'-6.5"
704826-40	Awning, 3', Satin w/Velcro strap
704826-38	Awning, 6'-10.5", Satin, 33FB
704826-41	Awning, Rear, 52.62", Satin w/Velcro strap, 33FB
704826-44	Awning, Rear, 52-5/8", 30RB
704826-53	Awning, Window, 13' 8" Grey, White, Black
385577	Wear tape, 3.5" wide, Clear

Power Awnings, Patio

704825-14	Power awning, 21'-8", 30RB
704825-15	Power awning, 23'-6", 33FB
704825-01	Hardware kit, Support arm, 65"
382202	Grommet, Liquid tight
385577	Wear tape, 3.5" wide, Clear
512652	Power cable, Relax awning
512918-02	LED flex light strip
365527	Gasket Kit, Awning

WINDOW COVERINGS

Drapes and Shades, 30RB



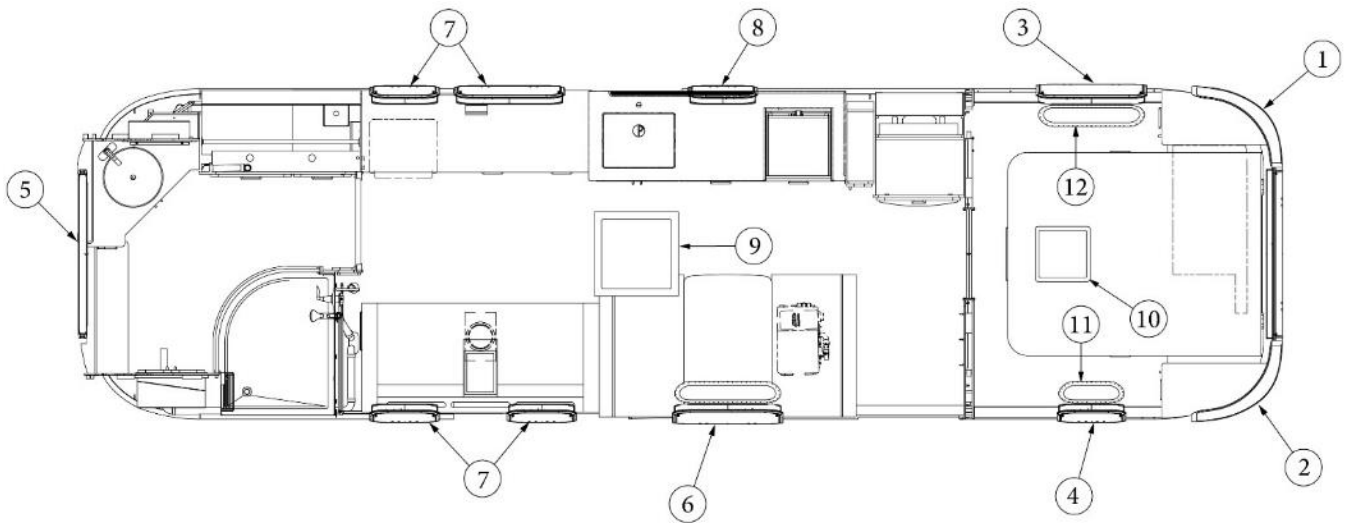
113758

Window Coverings, 30RB

- | | |
|---------------|--|
| 1. 998264-01 | Drape, Pleated panel, Front/Rear wrap |
| 2. 998264-02 | Drape, Pleated panel, Front/Rear wrap |
| 3. 998264-03 | Drape, Pleated panel, Side window |
| 4. 704919-02 | Roman shade, 25 x 36" |
| 5. 704919-03 | Roman shade, 38 x 33" |
| 6. 704919-06 | Roman shade, 73 x 31" |
| 7. 704920-01 | Roller shade, 21.63 x 20.75" |
| 8. 704920-02 | Roller shade, 20.5 x 9.5" |
| 9. 704921-01 | Shade, Pleated, Skylight, 14 x 22.75" |
| 10. 704921-02 | Shade, Pleated, Skylight, 19.25 x 19.75" |
| 11. 704921-04 | Shade, Pleated, Vista, 19.5 x 9.5" |
| 12. 704921-05 | Shade, Pleated, Vista, 31 x 9.5" |

WINDOW COVERINGS

Drapes and Shades, 33FB



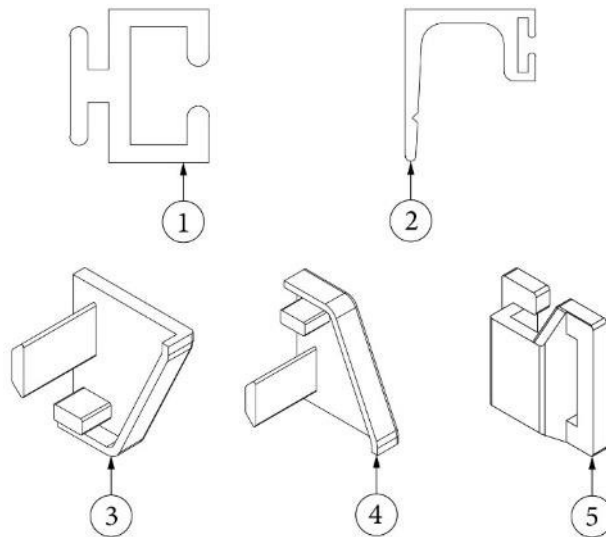
113748

Window Coverings, 33FB

- | | | |
|-----|-----------|--|
| 1. | 998264-01 | Drape, Pleated panel, Front/Rear wrap |
| 2. | 998264-02 | Drape, Pleated panel, Front/Rear wrap |
| 3. | 998264-03 | Drape, Pleated panel, Side window |
| 4. | 998264-04 | Drape, Pleated panel, Side window |
| 5. | 704920-03 | Roller shade, Window rail, 48 x 24" |
| 6. | 704919-04 | Roman shade, 40 x 31.5" |
| 7. | 704919-05 | Roman shade, 64 x 26" |
| 8. | 704920-01 | Roller shade, 21.63 x 20.75" |
| 9. | 704921-02 | Shade, Pleated, Skylight, 19.25 x 19.75" |
| 10. | 704921-03 | Shade, Pleated, Skylight, 12.75 x 13.13" |
| 11. | 704921-04 | Shade, Pleated, Vista, 19.5 x 9.5" |
| 12. | 704921-05 | Shade, Pleated, Vista, 31 x 9.5" |

WINDOW COVERINGS

Drapes and Shades, Hardware



1. 101217 Track, Curtain, 132"
 2. 101225 Bracket, Curtain standoff, 126"
 3. 200785 End, Curtain track, LH
 4. 200784 End, Curtain track, RH
 5. 700045 Glides w/elastic "G" type
- 115623-01 Bracket, Blind retainer, RH
115623-02 Bracket, Blind retainer, LH
704906 Fabric, Window Treatment, Allover, Pebble
704198 Fabric lining blackout, Ivory White
700005 Fastener, Cap
700006 Fastener, Socket
700020 Pile Velcro
700021 Hook, Velcro, White
704907-01 Tape, Fabric, Window Treatment, Haze, Tencel, 2.5"

ELECTRICAL, 110 VOLT

Power Center

513533 Distribution center, 50A AC service
513533-100 Clip, For door

Smart Plug

513581 50-amp Stainless inlet
513582 50-amp cord 30'

Power Converter and Inverter

514263 Inverter, 2000W, Progressive Dynamics
514297 Converter/Charger 60A DC Output
135297-1 Inverter Board, 12VDC Panel, 33FB Only
514265-02 Ground to Inverter Cable, 16"

Breakers, 110V

510564-01 Breaker, 20 amp
510564-03 Breaker, 15-15
510564-07 Breaker, 15GFI
510564-08 Breaker, Bryant, 20-15
510564-20 Breaker, 20 Amp Bryant
511885 Circuit Breaker, 2-P-120/240C AC-5

ELECTRICAL, 110 VOLT

Receptacles

511815-01	Receptacle, 20A, White, Single
511912	Plate, Receptacle, Single
511815-03	Receptacle, Duplex, Self-contained
512562	Gasket, Receptacle
514185	Cover, Receptacle, Waterproof
512642-06	Receptacle, Single, Self-contained, Black
511815-02	Plate, Receptacle, Black
512999-06	Receptacle, Single, Self-contained, Black, 20A
513202	Docking Station, Hide-A-Dock, Two AC outlets, Two USB Ports

ELECTRICAL, 12 VOLT

Battery and Battery Box

135266-02	Install, Lithium Batteries
513862	Battery, 12V, GC2, LifeP04, Battleborn, Lithium Option
513899	Smart Shunt, 500A/50mv Victron
204148	Battery hold down
514009	Rocker Switch, Battery Heater
514277-01	Battery Jumper, Positive
514277-02	Battery Jumper, Negative
512660-50	Fuse, Terminal 50 Amp, Red
386367	Label, Smart Unit Battery Heater
512661-01	Fuse Block, Terminal Stud, Dual
512660-200	Fuse, Terminal, 200A, Blue
381814	Wing nut, Battery
514255	Ground stud
203415	Battery tray
455980	Assembly, Battery Box Lid, Complete
455979	Battery box, Lid only
382659-3	Battery box lid hinge
386564-01	Lock Cylinder, Cam, 1.25"
386559	Cam lock
500836-02	Positive battery cable, 72"
500837	Negative battery cable, 6 Gauge, 81"
512660-100	Fuse, Yellow, 100A

7-Way Cable

513905	Tow cable, 7 way, siliconized
345426-04	Clamp, Rubber loop, .63"

Breakaway Switch

0300027	Switch, Breakaway
454526	Bracket, Breakaway switch
201267-03	Convoluted conduit, 3/8"
386111	Label, Fuse Max, 30A

ELECTRICAL, 12 VOLT

Tank Monitor System

513494-01	Tank monitor display - NMEA2K
514051-09	Sender Pad, Seelevel, 9"
514051-01	Sender Pad, Seelevel, 12"
511780	Pad, Tank heating

Wireless Backup Camera

512946-01	Digital wireless observation kit
512946-04	Voyager 7" LCD monitor
512946-05	Camera, Digital Wireless Autopairing, Voyager
512946-100	Antenna
512946-101	Monitor mount w/suction cup
365392	Gasket
382225	Grommet, .5", Black

Doorbell

511957	Bezel, Round, Doorbell
511958	Switch w/6" leads, Doorbell

ELECTRICAL, 12 VOLT

Switches and USB Ports

514258	USB Port, A-C, Surface, Charger
513530	Switch Plate, Mounting Frame
513471	Switch, Momentary, W/Directional
513470	Switch Plate, Vimar
511958	Switch, Doorbell, W/6"Leads
513469	Key Switch, On/Off Classic
514009	Battery Heater Rocker Switch

Solar System

513475-01	Kit, Charge controller display
513475-08	Display, Control, Blue Solar Charger
514042	Solar Panel, 100W, Merlin
514071	Solar Port, 3 Position
514203	Solar Port, External
382832	Foot mounting kit, Merlin
386477	Label, Solar Prewire
340308	Clip, Solar panel
513926	Cerbo GX, Victron
513899	Smart Shunt, Victron
386560	Label, Smart Unit Cerbo GX
383013	Gasket Kit, Rooftop

Breakers, 12V

510947-10	Breaker, 12V DC, Type II, #12V10
510947-20	Breaker, 12V DC, Type II, #12V20
510947-30	Breaker, 12V DC, Type II, #12V30
510947-50	Breaker, 12V DC, Type II, #12V50
510946-04	Bracket, Breaker, 4 position
514198-01	Maxi circuit breaker, 30A

Fuses

513468	Fuse panel, 24HR
513839	Fuse holder, Maxi blade
500773-20	Fuse, 12DC, ATC, 20A
500773-30	Fuse, 12DC, ATC, 30A
500773-01	Fuse, 12DC, ATC, 1A
500773-15	Fuse, 12DC, ATC, 15A
512660-100	Fuse, Yellow, 100A
512660-50	Fuse, Red, 50A

ELECTRICAL, 12 VOLT

TPMS System

513719-01 Canbus Receiver W/Nmea2k Connector
513719-02 Repeater

Interior Lights

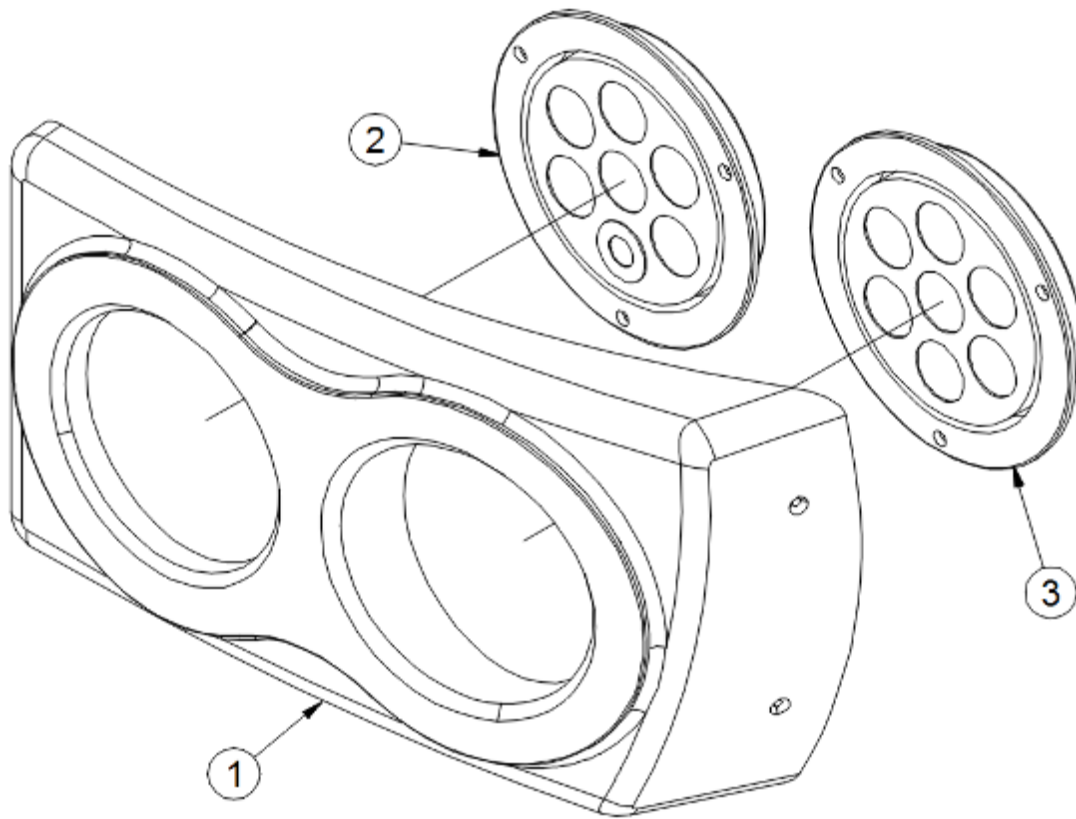
512829 Courtesy light w/push lens, Brushed Stainless Steel
512830 Ceiling light, 9 LED, Un-switched, Brushed Stainless Steel
512831 Closet light w/plunger, LED, Black
512840 Courtesy light, Wall wash, Black
513961 LED light, Shower
513200 LED eyeball light, Satin Nickel
513160 LED light bar, Surface mount
513070 Aisle light, Motion activated
513707 Light, Switched, LED, Single
513136 Puck light, LED
512832 Tape light, Diffused, 66", with 48" lead wires

Exterior Lights

513752 Light, Push Lens, LED, Courtesy
512859 Amber LED clearance light
512859-01 Chrome base
512859-02 Gasket, Amber Clearance light
512860 Red LED clearance light
512860-01 Chrome base
512860-02 Gasket, Clearance Light
512928 Curved bezel w/gasket, Required for 3 top lights
512928-01 Curved bezel
512928-02 Gasket, curved bezel light
382389 Clearance light gasket
512857 LED bulb, Blue, used with 511344-05 grab handle
512918-02 LED, Flex strip, Tape, 460CM
514065 License plate holder/light
514065-01 Light only, License plate

ELECTRICAL, 12 VOLT

Taillights



968188-01
968188-02

Tail Light Assembly, RS
Tail Light Assembly, CS

1. 115758-01
115758-02

Casting, Taillight, CS
Casting, Taillight, RS

2. 512820

Taillight w/backup lens, 4"

3. 512821

Taillight, 4"

203797-02

Gasket, Taillight, RS

203797-01

Gasket, Taillight, CS

115629

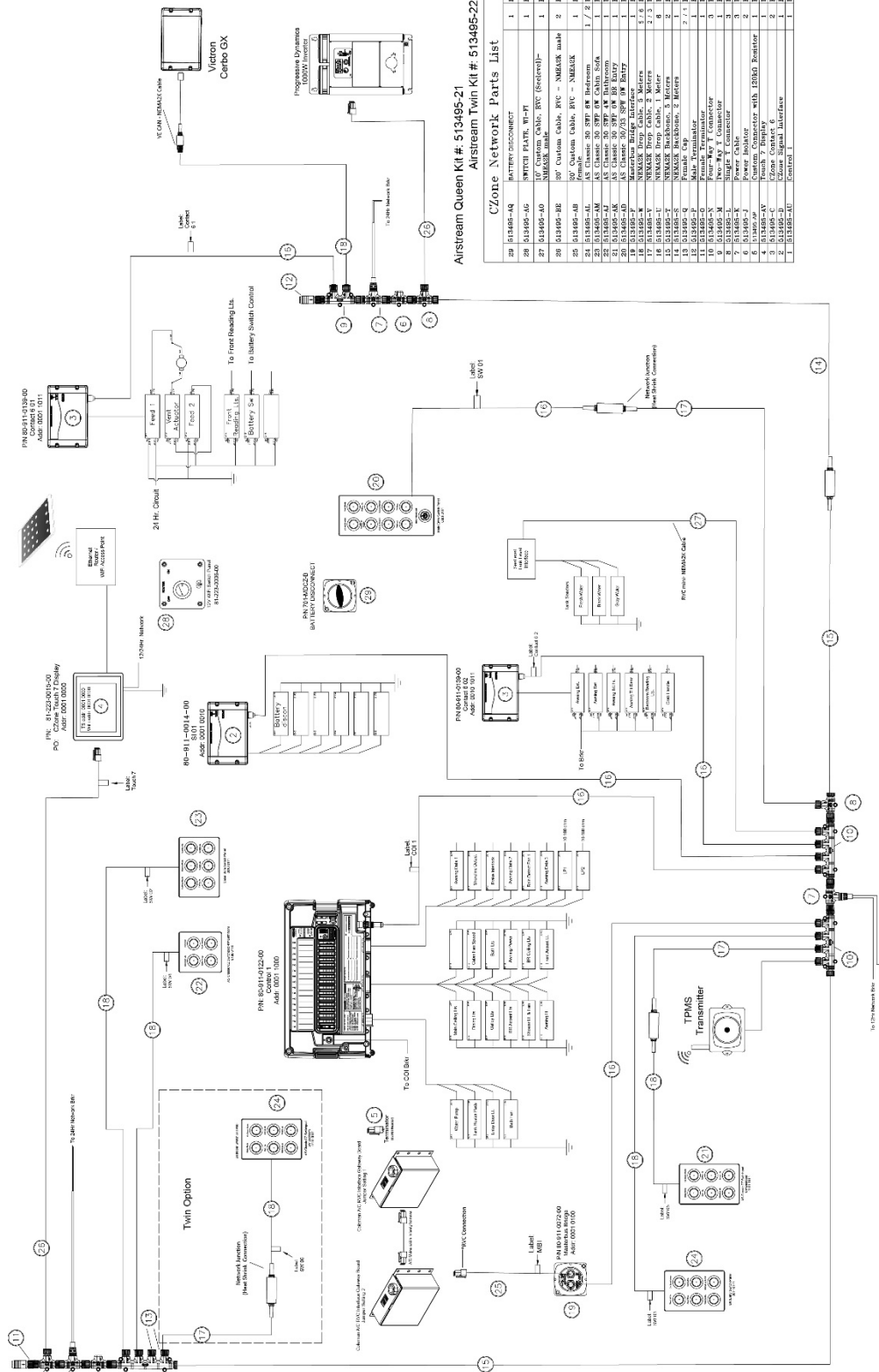
Angle, taillight

115630

Angle, taillight

ELECTRICAL, 12 VOLT

CZone System Components, 30RB



Airstream Queen Kit # 513495-21
Airstream Twin Kit # 513495-22

Part #	Description	Qty	
29	513495-A9	BATTERY DISCONNECT	1 EA
28	513495-A6	SWITCH PLATE, WI-FI	1 EA
27	513495-A0	10' Custom Cable, RVC (Reveler)	1 EA
26	513495-B02	10' Custom Cable, RVC - NIMASK	2 EA
25	513495-A0	10' Custom Cable, RVC - NIMASK	1 EA
24	513495-A0	10' Custom Cable, RVC - NIMASK	1 EA
23	513495-A0	10' Custom Cable, RVC - NIMASK	1 EA
22	513495-A0	10' Custom Cable, RVC - NIMASK	1 EA
21	513495-A0	10' Custom Cable, RVC - NIMASK	1 EA
20	513495-A0	10' Custom Cable, RVC - NIMASK	1 EA
19	513495-A0	10' Custom Cable, RVC - NIMASK	1 EA
18	513495-A0	10' Custom Cable, RVC - NIMASK	1 EA
17	513495-A0	10' Custom Cable, RVC - NIMASK	1 EA
16	513495-A0	10' Custom Cable, RVC - NIMASK	1 EA
15	513495-A0	10' Custom Cable, RVC - NIMASK	1 EA
14	513495-A0	10' Custom Cable, RVC - NIMASK	1 EA
13	513495-A0	10' Custom Cable, RVC - NIMASK	1 EA
12	513495-A0	10' Custom Cable, RVC - NIMASK	1 EA
11	513495-A0	10' Custom Cable, RVC - NIMASK	1 EA
10	513495-A0	10' Custom Cable, RVC - NIMASK	1 EA
9	513495-A0	10' Custom Cable, RVC - NIMASK	1 EA
8	513495-A0	10' Custom Cable, RVC - NIMASK	1 EA
7	513495-A0	10' Custom Cable, RVC - NIMASK	1 EA
6	513495-A0	10' Custom Cable, RVC - NIMASK	1 EA
5	513495-A0	10' Custom Cable, RVC - NIMASK	1 EA
4	513495-A0	10' Custom Cable, RVC - NIMASK	1 EA
3	513495-A0	10' Custom Cable, RVC - NIMASK	1 EA
2	513495-A0	10' Custom Cable, RVC - NIMASK	1 EA
1	513495-A0	10' Custom Cable, RVC - NIMASK	1 EA

Parts Listed on Next Page

ELECTRICAL, 12 VOLT

CZone System Components, 30RB

513495-AQ	Battery Disconnect
513495-AG	Switch plate, WiFi
513495-AO	Custom cable, RVC-NMEA2K, 10'
513495-BE	Custom Cable, RVC-NMEA2K, Male, 20'
513495-AB	Custom cable, RVC-NMEA2K, 20'
513495-AL	SWP 6W - Bedroom- AS Classic 30
513495-AM	SWP 6W - Cabin Sofa- AS Classic 30
513495-AJ	SWP 4W - Bathroom- AS Classic 30
513495-AK	SWP 6W - Bedroom Entry- AS Classic 30
513495-AD	Swp 9-Watt, Entry, AS Classic 30/33
513495-F	Masterbus Bridge
513495-W	Nema2k Drop Cable, 5 Meters
513495-V	Nema2k Drop Cable, 2 Meters
513495-U	Nema2k Drop Cable, 1 Meters
513495-T	Nema2k Backbone, 5 Meters, 30RB Classic
513495-S	NEMA2k Backbone, 2 Meters
513495-Q	Cap, Female
513495-P	Terminator, Male
513495-O	Terminator, Female
513495-N	Connector, T, Four Way
513495-M	Connector, T, Two Way
513495-L	Connector, Single T
513495-K	Cable, Power
513495-J	Isolator, Power
513495-AP	Connector- Custom W/120k Resistor
513495-AV	Touch 7 Display
513495-C	Contact 6
513495-D	Signal interface
513495-AU	Control 1
513719-01	Canbus receiver w/NMEA2K connector

ELECTRICAL, 12 VOLT

CZone System Components, 33FB

513495-AQ	Battery Disconnect
513495-BE	Custom Cable, RVC-NMEA2K, Male, 20'
513495-AS	NEMA2K backbone
513495-AH	SWP- 12V Wardrobe - AS Classic
513495-AP	Connector- Custom W/120k Resistor
513495-AO	Custom cable, RVC-NMEA2K, 10'
513495-AG	Switch plate, WiFi
513495-AB	Custom cable, RVC-NMEA2K, 20'
513495-AF	Swp 4w - Bathroom- AS Classic 33
513495-AE	Swp 6w - Bedroom- AS Classic 33
513495-AD	Swp 9-Watt, Entry, AS Classic 30/33
513495-Z	Switch-12v Push Button-Momentary
513495-AA	Switch-12v Push Button-Latching (On) Off - Blue Led
513495-F	Masterbus Bridge
513495-W	Nema2k Drop Cable, 5 Meters
513495-V	Nema2k Drop Cable, 2 Meters
513495-U	Nema2k Drop Cable, 1 Meters
513495-BF	NEMA2K Backbone, 10 Meters
513495-S	NEMA2k Backbone, 2 Meters
513495-Q	Cap, Female
513495-P	Terminator, Male
513495-O	Terminator, Female
513495-N	Connector, T, Four Way
513495-M	Connector, T, Two Way
513495-L	Connector, Single T
513495-K	Cable, Power
513495-J	Isolator, Power
513495-AI	SWP- 12V Galley - AS Classic
513495-D	Signal interface
513495-C	Contact 6
513495-AV	Touch 7 Display
513495-AU	Control 1
513719-01	Canbus receiver w/NMEA2K connector

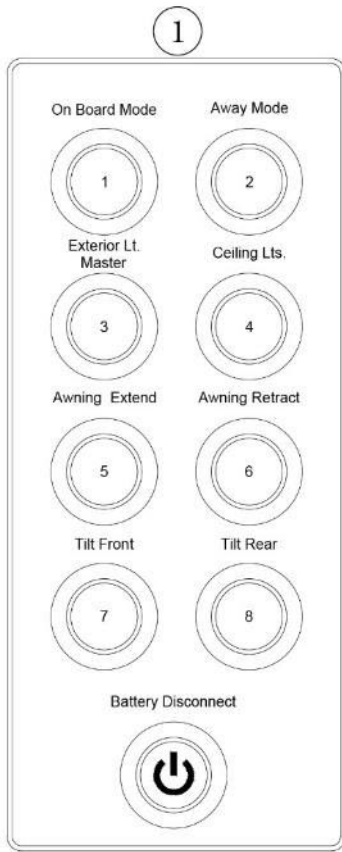
ELECTRICAL, 12 VOLT

CZone Configuration Files

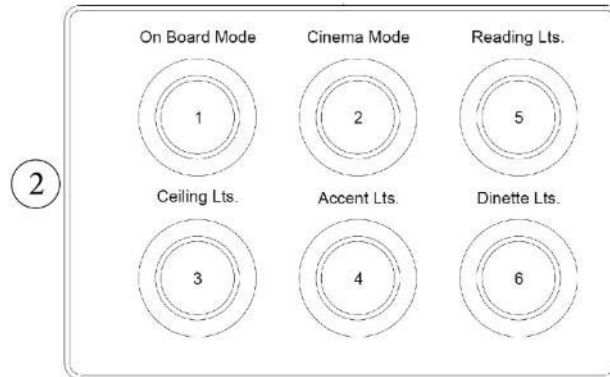
513900	Code, Czone config, 30' Classic
513901	Code, Czone config, 33' Classic
513902	Code, Favorites package, 30' Classic
513903	Code, Favorites package, 33' Classic
513498	Configuration file, 30RB Classic, Queen
513499	Configuration file, 30RB Classic, Twin
513496	Configuration file, 33FB Classic, Queen
513497	Configuration file, 33FB Classic, Twin

ELECTRICAL, 12 VOLT

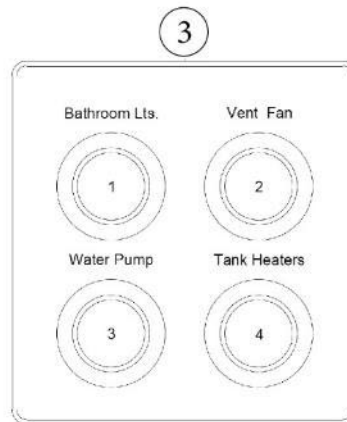
CZone Switch Controls 30RB



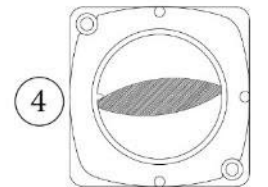
Main Entry Switch Panel



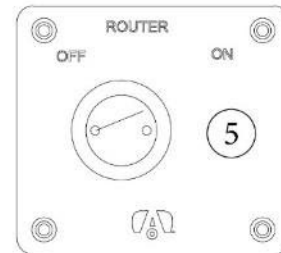
Cabin Sofa Switch Panel



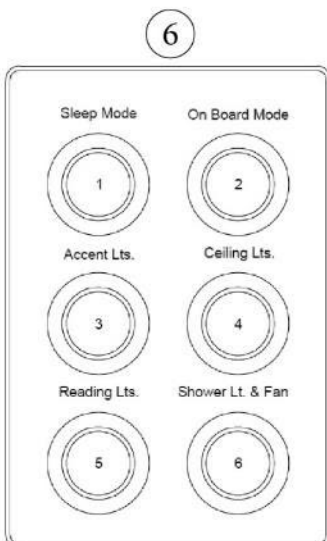
Bathroom



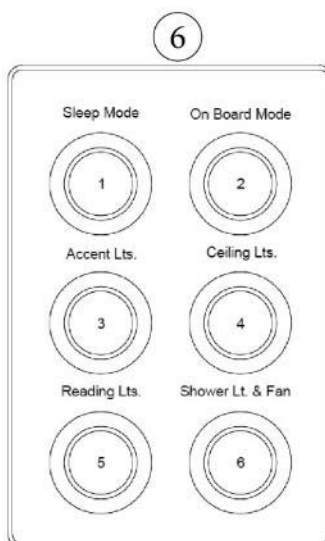
Battery Disconnect



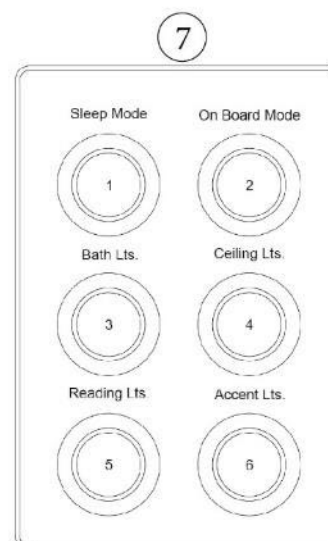
WiFi Switch Panel



Bedroom Entry Switch Panel



Bedroom Switch 6 (Twin)



Bedroom, 6W Panel

Parts Listed on Next Page

ELECTRICAL, 12 VOLT

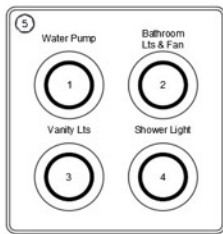
CZone Switch Controls 30RB

513495-21 CZone kit, Queen, 30RB
513495-22 CZone kit, Twin, 30RB
513495-AV Touch 7 Display

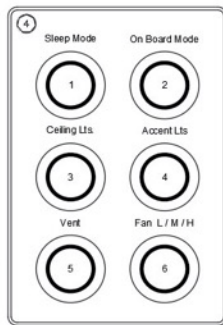
1. 513495-AD Swp 9-Watt, Entry, AS Classic 30/33
2. 513495-AM SWP 6W - Cabin Sofa- AS Classic 30
3. 513495-AJ SWP 4W - Bathroom- AS Classic 30
4. 513495-AQ Battery Disconnect
5. 513495-AG Switch plate, WiFi
6. 513495-AL SWP 6W - Bedroom- AS Classic 30
7. 513495-AK SWP 6W - Bedroom Entry- AS Classic 30

ELECTRICAL, 12 VOLT

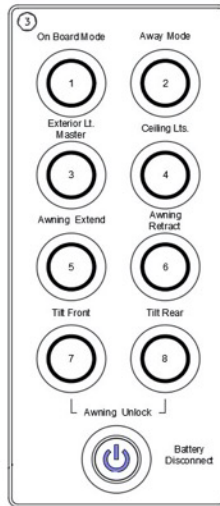
CZone Switch Controls, 33FB



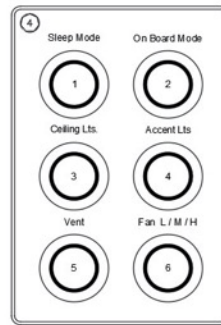
AS Classic CZ Switchpad 4W Bathroom
0011 0111



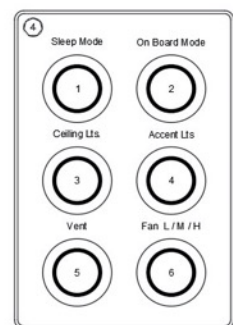
BR Entry Switch Panel
0100 0111



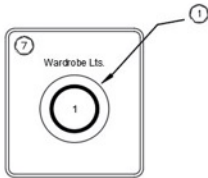
Main Entry Switch Panel
0001 0111



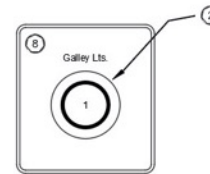
AS Classic CZ Switchpad
6W Bedroom
(TWIN OPTION)
0101 0111



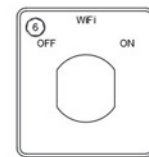
AS Classic CZ Switchpad
6W Bedroom
0010 0111



AS Classic 12V SWP Wardrobe



AS Classic 12V SWP Galley



AS Classic 12V SWP WiFi

513495-19
513495-20
513495-AV

CZone kit, Queen, 33FB
CZone kit, Twin, 33FB
Touch 7 Display

1. 513495-AA
2. 513495-Z
3. 513495-AD
4. 513495-AE
5. 513495-AF
6. 513495-AG
7. 513495-AH
8. 513495-AI
- 513495-AN

Switch-12v Push Button-Latching (On) Off - Blue Led
Switch-12v Push Button-Momentary
Swp 9-Watt Entry - AS Classic 30/33
Swp 6w - Bedroom- AS Classic 33
Swp 4w - Bathroom- AS Classic 33
SWP- 12V WiFi - AS Classic
SWP- 12V Wardrobe - AS Classic
SWP- 12V Galley - AS Classic
Silver PB, 12V, Blue power symbol

ELECTRICAL, 12 VOLT

Smart RV System

514123	Router, Pepwave, Cat12 Transit Pro, (Nano Sims)
513637-01	Wi-Fi Antenna, Peplink
116557-01*	Box, Wi-Fi router
116557-02*	Bracket, Wi-Fi routers
116557-03*	Cover, Wi-Fi router
116220	Backer plate, Wi-Fi antenna
513637-13	Harness, 2 Wi-Fi, 1 GPS, 5M
513469	Key Switch - On/Off Classic
513470	Switch Plate - Vimar
513506	Disconnect - Low Voltage
383013	Gasket Kit, Rooftop

*116557-01, -02, and -03 replaced 116378-01, -02, and -03 beginning Mid-October 2023

ENTERTAINMENT

Audio

513618	Radio-Fusion Apollo
513618-02	Harness-Power/Speaker
513710-01	Tuner, Sirius XM
513710-02	Antenna, Sirius XM
513655	Speaker, 6.5", JL Audio
704308	Speaker grill cloth, Black
513654	Subwoofer - JL Audio

Video

513594-03	Antenna-TV, King - White-Omni Pro Digital OTA W/AM
514035-01	Inlet, SmartPlug Data Port
514287	Wall Plate Power Supply, No Receptacle, Winegard
514063-05	Wall Plate, Two Port, HDMI & Cat6/Rj45, White Plastic
514359	Wall Plate, Two Port, HDMI & Cat6/Rj45, Stainless Steel
512398	Power supply, Wall plate, Amplifier w/2 TV hook-up
382652	Gasket Plug - Cable Hole - Antenna
115634-1	Bracket, Antenna mounting
512499	Cable, Mini coax, 48"
512499-01	Cable, Mini coax, 64"
512501	Splitter, HDMI passthrough
512366-03	HDMI cable, Male to male, 3'
513701-04	HDMI, 1x3, UTP Splitter, 1 Local
513700-01	Passive Jack, Wall plate
513700-02	Wall plate, HDMI Passive Jack, W/ F connector
365528	Gasket Kit, Wall Mechanicals
383013	Gasket Kit, Rooftop

ENTERTAINMENT

Projector and Sound System

113774	Install, Projector
602466	Projector, LG
513988	Peerless Mount, Projector
514034	Screen, Projector, Salara, 12V
513956	Speaker, Bose II
513654	Subwoofer, JL audio
513719-02	Repeater
514359	Wall Plate, Two Port, HDMI & Cat6/Rj45, Stainless Steel

Lounge TV

690812	Smart TV, Connexx, 12V, 24"
512457	Articulating arm
512499	Mini coax cable, 48"
340300	Clip, Cable holder
382184	Sleeve, Flexo braided split

Bedroom TV

690812	Smart TV, Connexx, 12V, 24"
512457	Articulating arm
512499	Mini coax cable, 48"
340300	Clip, Cable holder
382184	Sleeve, Flexo braided split

FLOOR COVERINGS

Floor Coverings

704715	Flooring, Pearl 1446 CC-Color 1
203594-02	Floor trim, Ash Grey
360404	Adhesive, Flooring weatherseal hybrid
360409	3M dent filler compound
704137	Floor mat, "CLASSIC"
203727	Foil, Single bubble flex
701538	Carpet, Velour-compartment liner
701538-01	Carpet, Econolier w/PSA back

FURNITURE, INTERIOR DOORS AND MIRRORS

Door, Shower

703989-01 Shower door, Reeded glass, Brushed Nickel, 30'
602633 Shower door, Curved glass, 33FB

Door, Foldette

704717 Curtain, Dividing, w/tieback
382295 Track, Straight, Gray

Mirrors

371443 Mirror, Bath door, 18.63 x 67.13
371440-01 Mirror, Contoured RH, 31.11 x 38
381754 Mirror clip
372203-39 Glass-safety mirror 16.75x49.2

FURNITURE, DRAWER BOXES AND SLIDES

Drawer Boxes

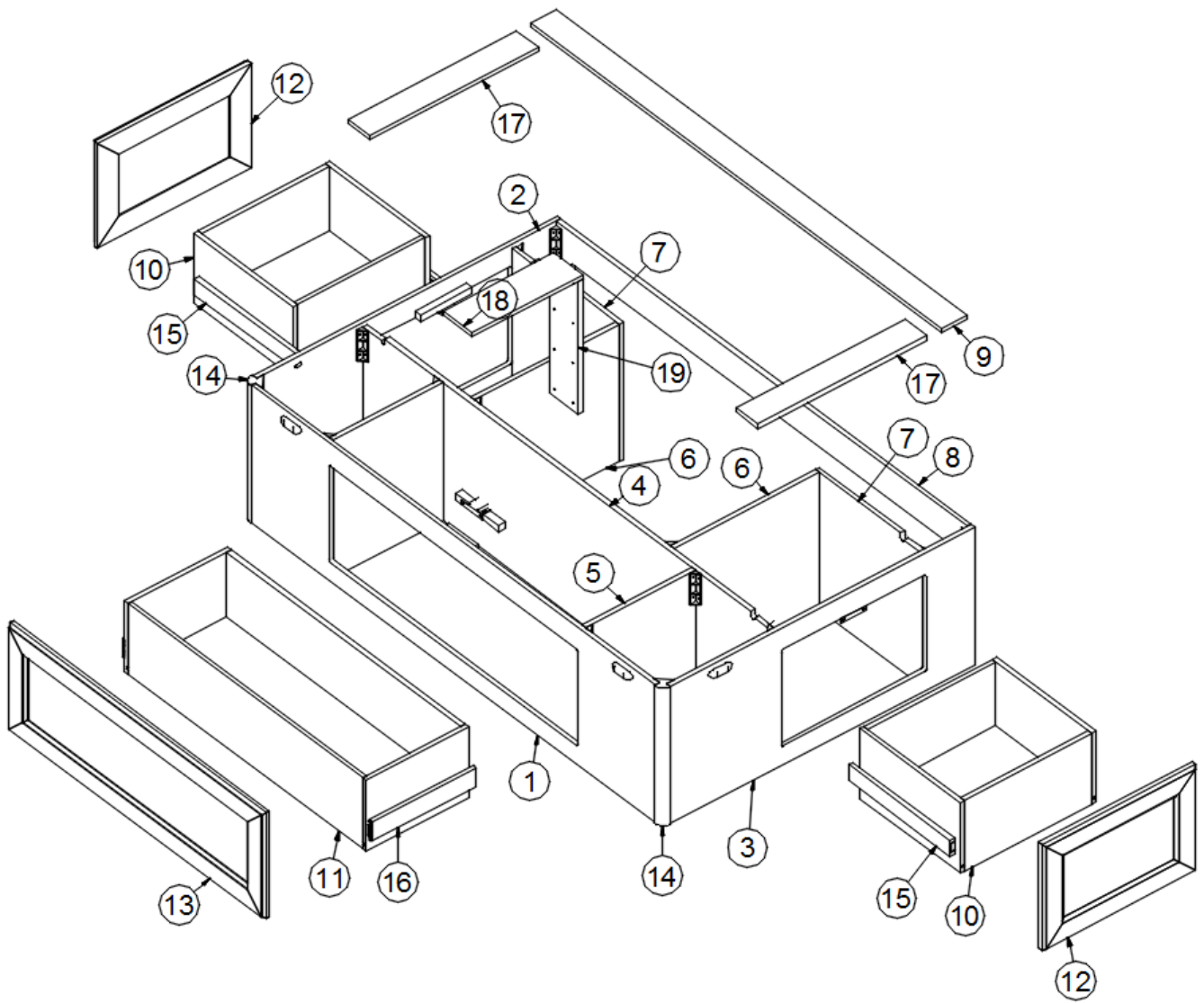
968028-07	Drawer box, 8 x 33.25 x 11"
968028-08	Drawer box, 8 x 15.75 x 13"
969704-05	Drawer box, 2.75 x 18 x 9.75"
969705-09	Drawer box, 4 x 15.72 x 18
969706-05	Drawer box, 5 x 15 x 15.75
969706-06	Drawer box, 5 x 12 x 10.13
969706-11	Drawer box, 5 x 15 x 17.88"
969707-03	Drawer box, 6 x 12 x 20.5"
969708-08	Drawer box, 8 x 15 x 19.38"
969709-02	Drawer box, 10 x 15.72 x 18

Drawer Slides

381400	Drawer slide, 14"
381400-01	Drawer slide, 12"
382807-06	Drawer slide, Self-close, 12"
382807-07	Drawer slide, Self-close, 15"
382807-08	Drawer slide, Self-close, 18"

FURNITURE, BEDROOM

Bed, Queen



Parts Listed on Next Page

FURNITURE, BEDROOM

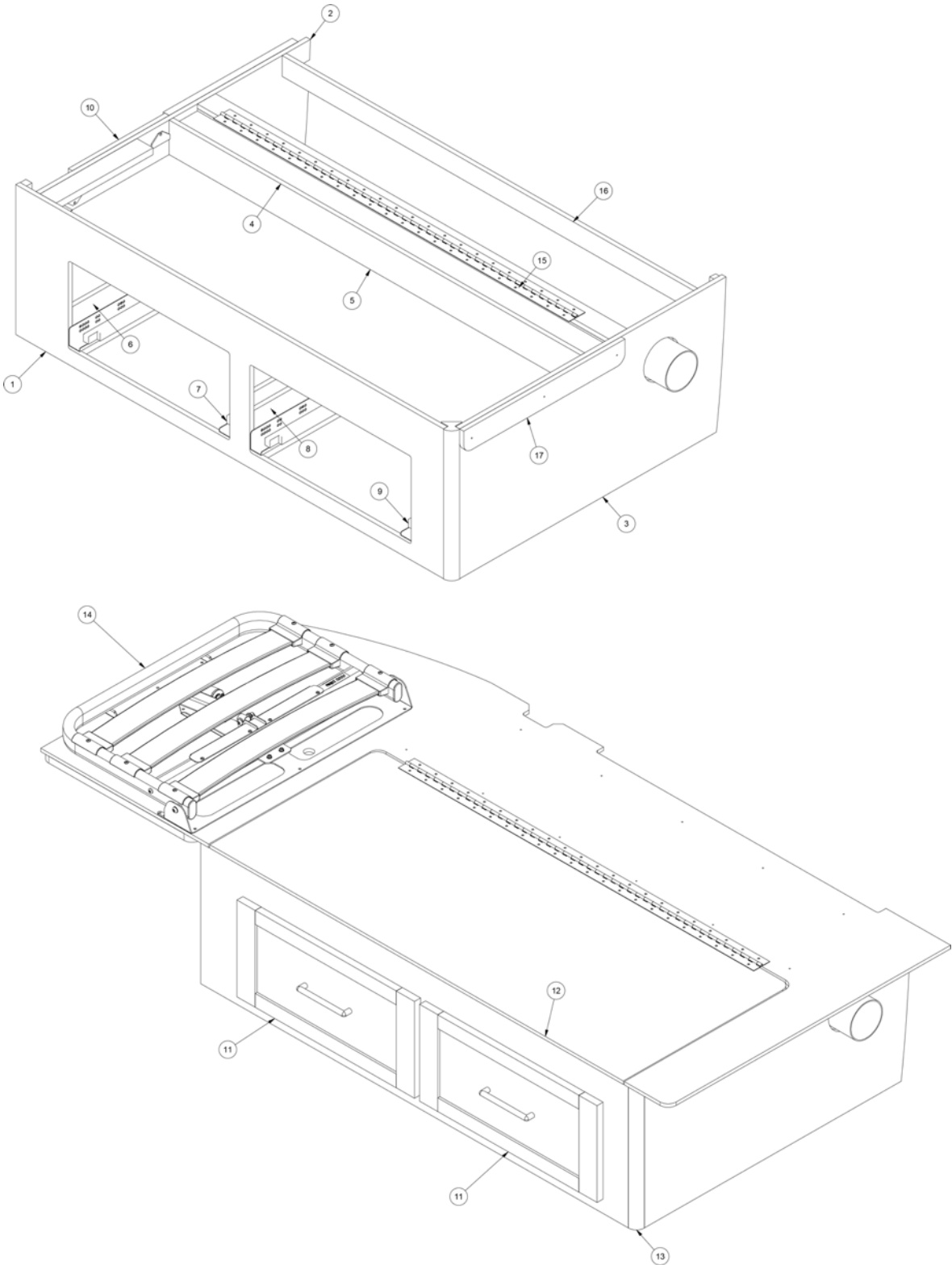
Bed, Queen

968152 Queen Bed

1. 968152&000112BB Pnl-Prelam 15.63 X 55.54
2. 968152&000212BB Pnl-Prelam 15.63 X 35.77
3. 968152&000312BB Pnl-Prelam 15.63 X 35.14
4. 968152&000412BB Pnl-Prelam 15.63 X 56.50
5. 968152&000512BB Pnl-Prelam 15.63 X 12.75
6. 968152&000612BB Pnl-Prelam 15.63 X 16.75
7. 968152&000712BB Pnl-Prelam 15.63 X 14.75
8. 968152&000812BB Pnl-Prelam 15.63 X 56.5
9. 968152&001112BB Pnl-Prelam 3.00 X 56.50
10. 968028-08 Drawer, 8"
11. 968028-07 Drawer box, 8"
12. 802613-091010 Drawer face, Planked Coffee, 17.75 x 12.00"
- 802463-091002 Drawer face, Linen, 17.75 x 12.00"
13. 802613-081010 Drawer face, Planked coffee, 35.25 x 12.00"
- 802463-081002 Drawer face, Linen, 35.25 x 12.00"
14. 801415-1010 Corner trim, Planked Coffee, 1" radius
- 801415-1002 Corner trim, Linen, 1" radius
15. 381400 Drawer slide, 14"
16. 381400-01 Drawer slide, 12"
17. 968152&001912BE Pnl-Prelam 3.00 X 19.50
18. 968152&002112BE Pnl-Prelam 4.00 X 2.75
19. 968152&003412BE Pnl-Prelam 4.00 X 15.13
- 382245 Power reclining slatted bed base
- 386279 Corner brace, 3.5 x .75 x .75
- 381228-02 Catch, Grabber door, 5LB
- 512840 Courtesy wall light, Black
- 382253-02 Pull, Antique Silver, 5"
- 386404-02 Pull-Matte Gold
- 115918 Bed cushion retainer
- 513471 Momentary Switch with Directional Arrows
- 802612-01 Edgebanding, Planked coffee, 5/8"
- 365386-01 Edgebanding, Linen, 5/8"

FURNITURE, BEDROOM

Bed, Roadside Twin, 30RB



Parts Listed on Next Page

FURNITURE, BEDROOM

Bed, Roadside Twin, 30RB

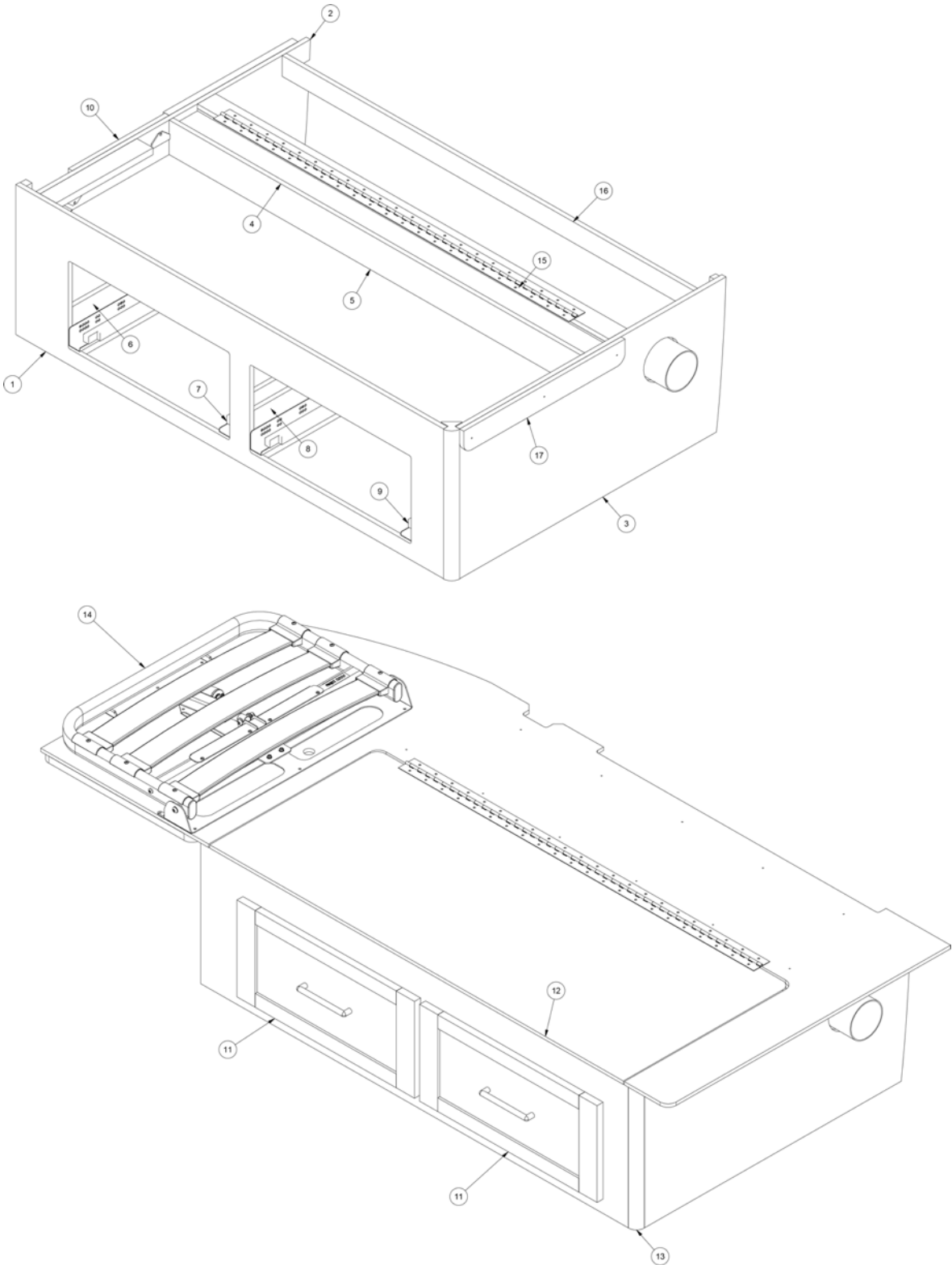
968429

RS Twin Bed, 30RB

1. 968429&000112BE	Pnl-Prelam 16.25 X 53.00
2. 968429&000212BE	Pnl-Prelam 16.25 X 33.50
3. 968429&000312BB	Pnl-Prelam 16.25 X 33.00
4. 968429&000412BB	Pnl-Prelam 15.50 X 51.00
5. 968429&000512BE	Pnl-Prelam 16.00 X 51.00
6. 968429&000612BE	Pnl-Prelam 16.00 X 6.00
7. 968429&000712BE	Pnl-Prelam 16.00 X 6.00
8. 968429&000812BE	Pnl-Prelam 16.00 X 6.00
9. 968429&000912BE	Pnl-Prelam 16.00 X 6.00
10. 968429&001012BE	Pnl-Prelam 12.00 X 16.25
11. 802613-101010	Drawer Face, Planked coffee, 22.00 x 10.50"
802463-101002	Drawer Face, Linen, 22.00 x 10.50"
12. 800507-03	Lauan, .38 x 19.38 x 51.25
13. 801415-1010	Corner trim, Planked Coffee, 1" radius
801415-WH	Corner trim, White linen, 1" radius
14. 382278	Back rest, Reclining, Electric
15. 968429&003512BB	Pnl-Prelam 2.25 X 51.00
16. 968429&003612BB	Pnl-Prelam 2.25 X 51.00
17. 968429&004112BE	Pnl-Prelam 2.50 X 20.00
968429&003412BB	Pnl-Prelam 3.00 X 51.00
386404-01	Pull, Satin nickel
386404-02	Pull-Matte Gold
380203-03	Piano hinge, 52"
365386-01	Edgebanding, Linen, 5/8"
365386-02	Edgebanding, Linen, 15/16"
802612-01	Edgebanding, Planked coffee, 5/8"
802612-02	Edgebanding, Planked coffee, 15/16"
602394-03	Register, 4" directional
969708-08	Drawer box, 8 x 15 x 19.38"
382807-07	Drawer slide, Self-close, 15"
382807-01	Fixing clip, Left front
382807-02	Fixing clip, Right front
381228-02	Catch, Grabber door, 5LB
381067-07	Gas spring, 60LB
382463	Bracket, Upper
382462	Bracket, Lower

FURNITURE, BEDROOM

Bed, Roadside Twin, 33FB



Parts Listed on Next Page

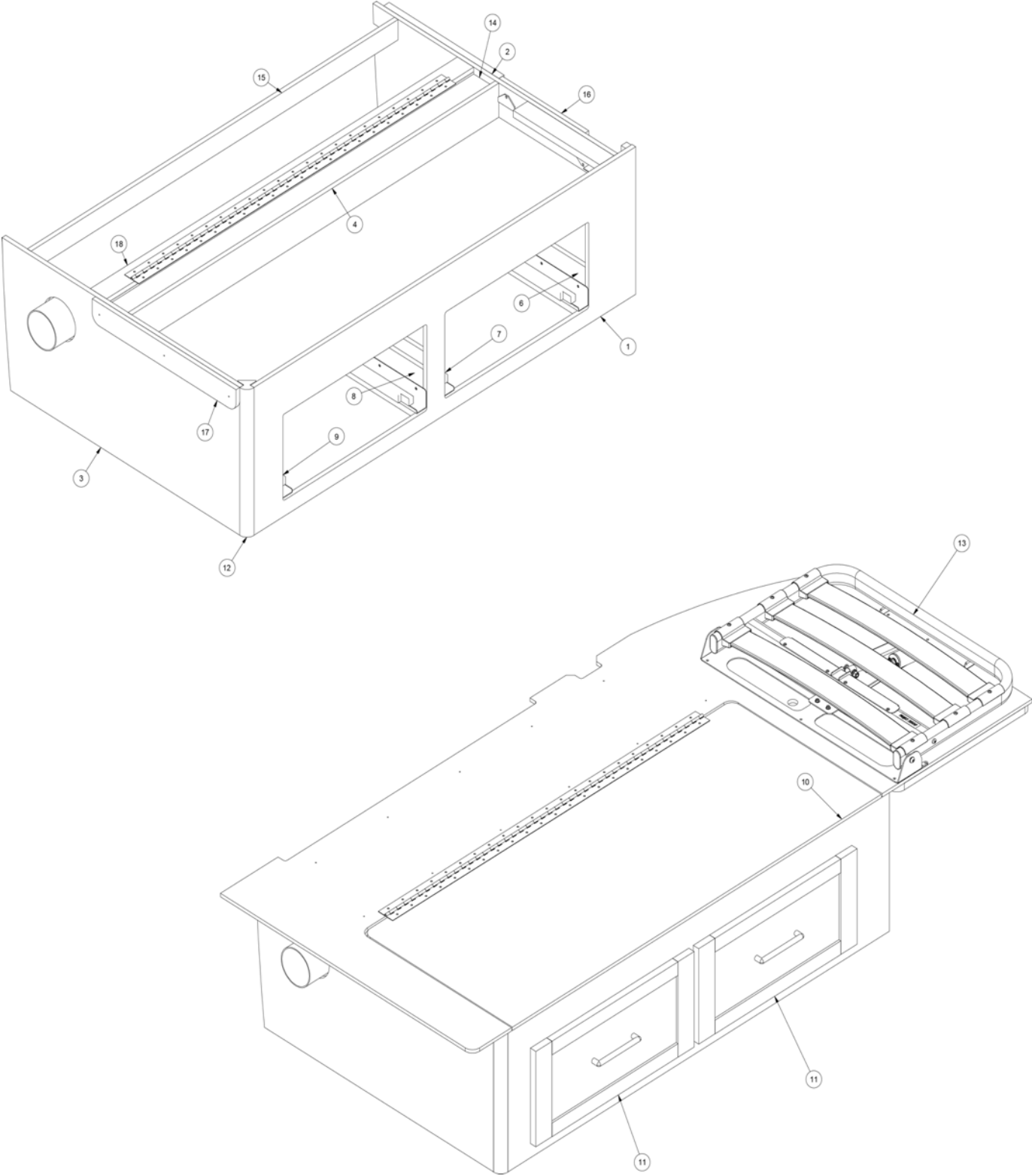
FURNITURE, BEDROOM

Bed, Roadside Twin, 33FB

969699	RS Twin Bed, 33FB
1. 969699&000112BE	Pnl-Prelam 16.25 X 53.00
2. 969699&000212BE	Pnl-Prelam 16.25 X 33.50
3. 969699&000312BB	Pnl-Prelam 16.25 X 33.00
4. 969699&000412BB	Pnl-Prelam 15.50 X 51.00
5. 969699&000512BE	Pnl-Prelam 16.00 X 51.00
6. 969699&000612BE	Pnl-Prelam 16.00 X 6.00
7. 969699&000712BE	Pnl-Prelam 16.00 X 6.00
8. 969699&000812BE	Pnl-Prelam 16.00 X 6.00
9. 969699&000912BE	Pnl-Prelam 16.00 X 6.00
10. 969699&001012BE	Pnl-Prelam 12.00 X 16.25
11. 802613-101010	Drawer Face, Planked coffee, 22.00 x 10.50"
802463-101002	Drawer Face-22.00 X 10.50 Linen
12. 800507-03	Lauan, .38 x 19.38 x 51.25
13. 801415-1010	Corner trim, Planked Coffee, 1" radius
801415-WH	Corner trim, White linen, 1" radius
14. 382278	Back rest, Reclining, Electric
15. 969699&003512BB	Pnl-Prelam 2.25 X 51.00
16. 969699&003612BB	Pnl-Prelam 2.25 X 51.00
17. 969699&004112BE	Pnl-Prelam 2.50 X 20.00
969699&003412BB	Pnl-Prelam 3.00 X 51.00
386404-01	Pull, Satin nickel
386404-02	Pull, Matte gold
380203-03	Piano hinge, 52"
365386-01	Edgebanding, Linen, 5/8"
365386-02	Edgebanding, Linen, 15/16"
802612-01	Edgebanding, Planked coffee, 5/8"
802612-02	Edgebanding, Planked coffee, 15/16"
602394-03	Register, 4" directional
969708-08	Drawer box, 8 x 15 x 19.38"
382807-07	Drawer slide, Self-close, 15"
382807-01	Fixing clip, Left front
382807-02	Fixing clip, Right front
381228-02	Catch, Grabber door, 5LB
381067-07	Gas spring, 60LB
382463	Bracket, Upper
382462	Bracket, Lower

FURNITURE, BEDROOM

Bed, Curbside Twin, 30RB, 33FB



Parts Listed on Next Page

FURNITURE, BEDROOM

Bed, Curbside Twin, 30RB, 33FB

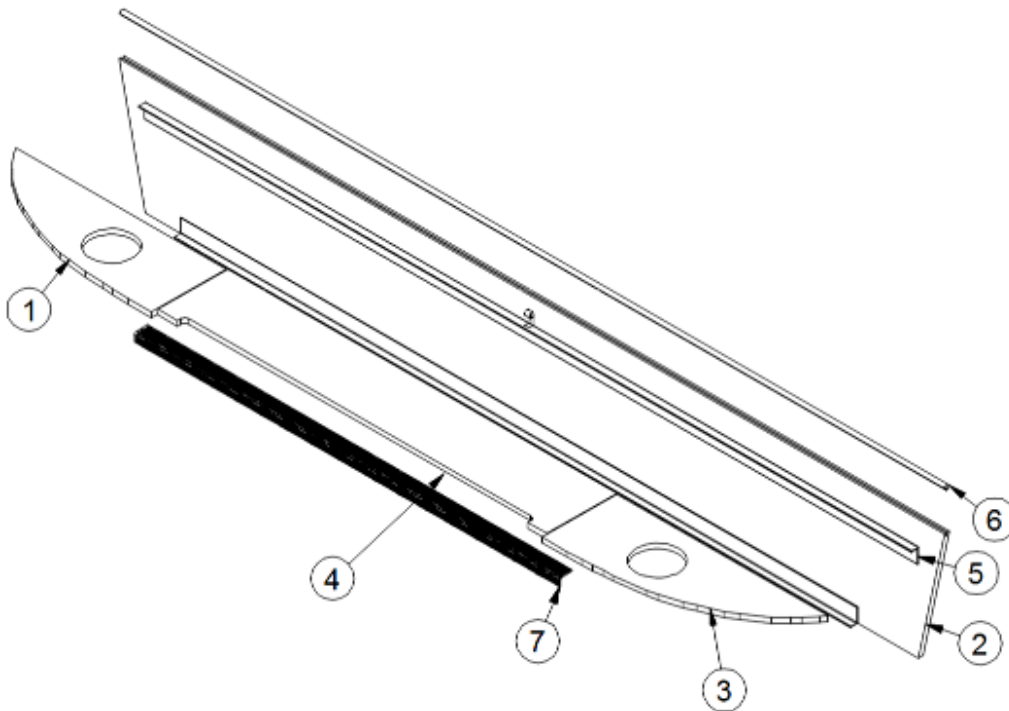
968428

CS Twin Bed, 30RB, 33FB

1. 968428&000112BB	Pnl-Prelam 16.25 X 53.00
2. 968428&000212BE	Pnl-Prelam 16.25 X 33.50
3. 968428&000312BB	Pnl-Prelam 16.25 X 33.00
4. 968428&000412BB	Pnl-Prelam 16.25 X 51.00
5. 968428&000512BE	Pnl-Prelam 16.00 X 51.00
6. 968428&000612BE	Pnl-Prelam 16.00 X 6.00
7. 968428&000712BE	Pnl-Prelam 16.00 X 6.00
8. 968428&000812BE	Pnl-Prelam 16.00 X 6.00
9. 968428&000912BE	Pnl-Prelam 16.00 X 6.00
10. 800507-03	Lauan, .38 x 19.38 x 51.25
11. 802613-101010	Drawer Face, Planked coffee, 22.00 x 10.50"
802463-101002	Drawer Face-22.00 X 10.50 Linen
12. 801415-1010	Corner trim, Planked Coffee, 1" radius
801415-WH	Corner trim, White linen, 1" radius
13. 382278	Back rest, Reclining, Electric
14. 968428&003312BB	Pnl-Prelam 2.25 X 51.00
15. 968428&003512BB	Pnl-Prelam 2.25X51.00
16. 968428&003712BE	Pnl-Prelam 12.00 X 16.25
17. 968428&004012BE	Pnl-Prelam 2.50 X 20.00
18. 968428&004112BB	Pnl-Prelam 2.25 X 51.00
968428&003412BB	Pnl-Prelam 2.25X51.00
386404-01	Pull, Satin nickel
386404-02	Pull-Matte Gold
380203-03	Piano hinge, 52"
365386-01	Edgebanding, Linen, 5/8"
365386-02	Edgebanding, Linen, 15/16"
802612-01	Edgebanding, Planked coffee, 5/8"
802612-02	Edgebanding, Planked coffee, 15/16"
602394-03	Register, 4" directional
968436	Closeout, Twin bed/wall, CS
969708-08	Drawer box, 8 x 15 x 19.38"
382807-07	Drawer slide, Self-close, 15"
382807-01	Fixing clip, Left front
382807-02	Fixing clip, Right front
381228-02	Catch, Grabber door, 5LB
114813	Aluminum angle, 1.5 x 1.5
381067-07	Gas spring, 60LB
382463	Bracket, Upper
382462	Bracket, Lower
115751	Bracket, Twin bed baffle

FURNITURE, BEDROOM

Headboard, Twin Bed



968467

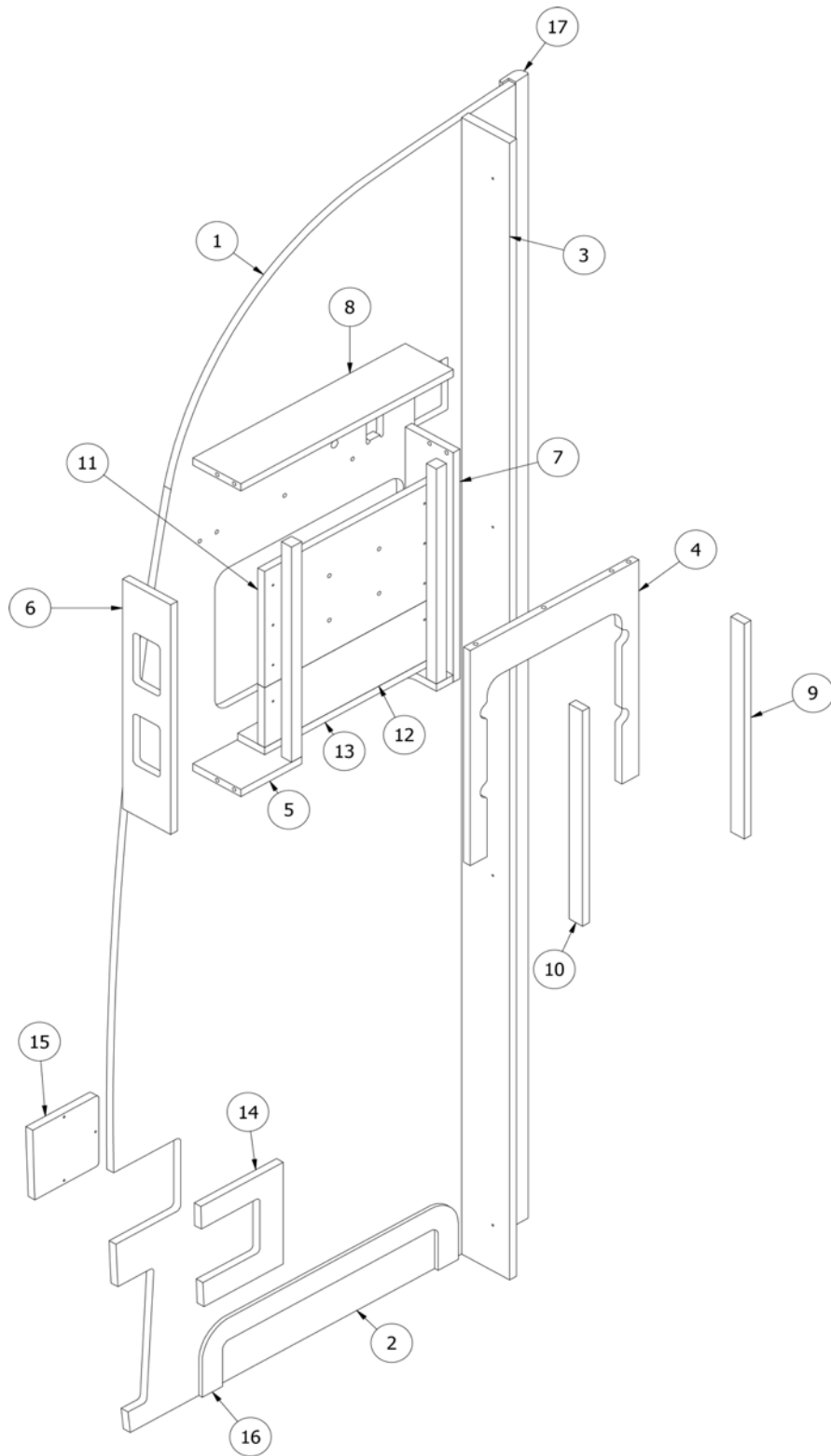
Twin Bed Headboard

1. 968467&000112BE
2. 968467&000212BE
3. 968467&000312BE
4. 968467&000412BE
5. 114930
6. 203812-01
7. 115729-01
- 701538-01
- 381581
- 602394-03

- Pnl-Prelam 22.45 X 8.25
- Pnl-Prelam 12.50 X 86.25
- Pnl-Prelam 22.45 X 8.25
- Pnl-Prelam 7.75 X 40.25
- Aluminum extrusion, L-section
- Bumper molding, .5"
- Bracket, Top vents
- Carpet, Econolier w/PSA back
- Strap, Clear plastic
- Register, 4" directional

FURNITURE, BEDROOM

Wall, Curbside Queen Bedroom



Parts Listed on Next Page

FURNITURE, BEDROOM

Wall, Curbside Queen Bedroom

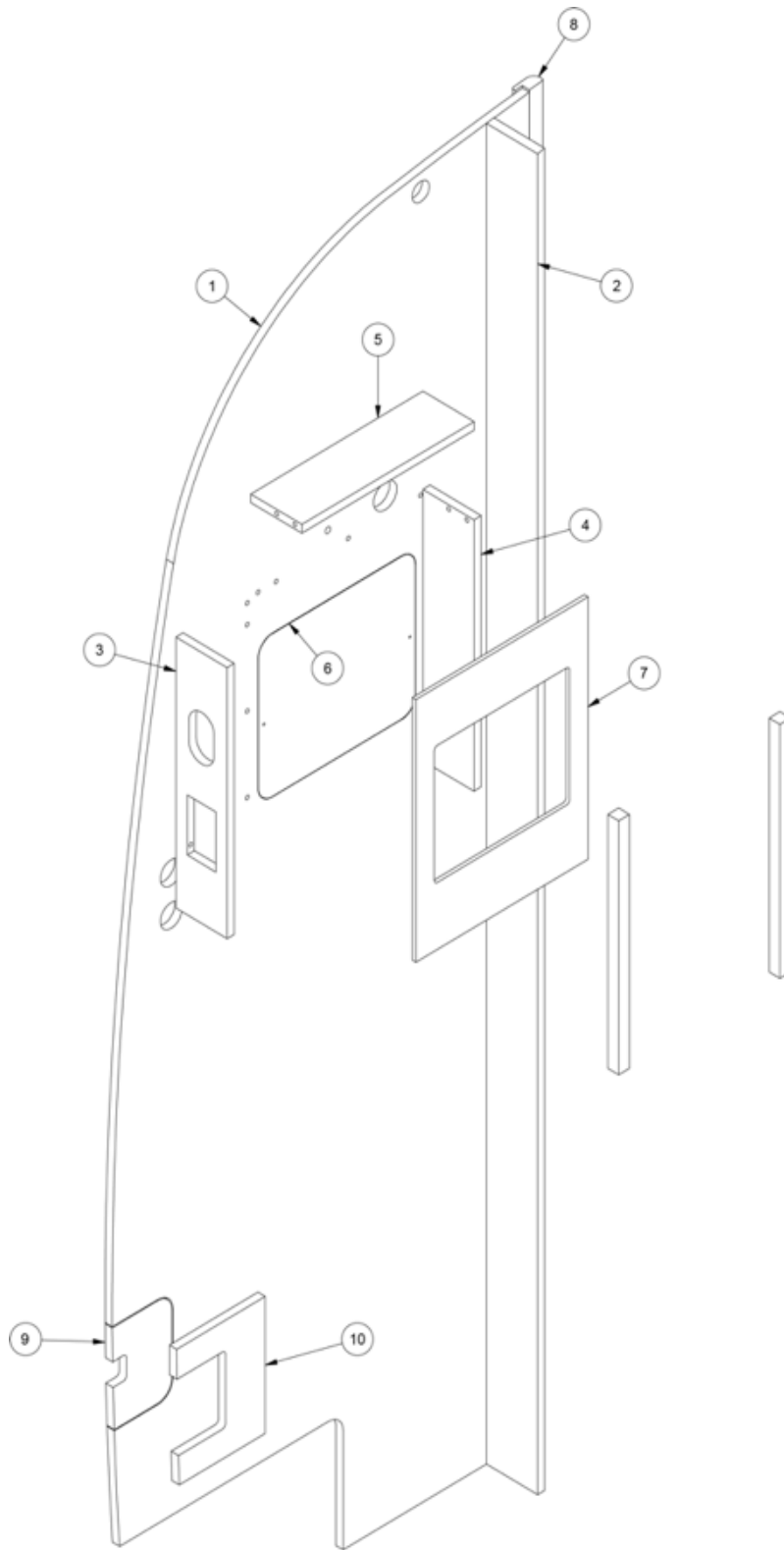
969177

CS Queen Bedroom Wall

- | | |
|---------------------|---|
| 1. 969177&003312BH | Pre laminate, 29.86 x 78.33" |
| 2. 969177&000212BH | Panel, 16.94 X 3.47 |
| 3. 969177&000312BB | Panel, 3.56 X 78.11 |
| 4. 969177&000412BB | Panel, 12.50 X 14.81 |
| 5. 969177&000512BB | Panel, 3.56 X 15.75 |
| 6. 969177&000612BB | Panel, 3.56 X 15.81 |
| 7. 969177&000712BB | Panel, 3.56 X 15.81 |
| 8. 969177&000812BB | Panel, 3.56 X 15.75 |
| 9. 969177&000912BB | Panel, 1.00 X 14.81 |
| 10. 969177&001012BB | Panel, 1.00 X 14.81 |
| 11. 969177&001112BB | Panel, 12.50 X 8.00 |
| 12. 969177&001212BB | Panel, 12.50 X 4.13 |
| 13. 969177&001312BB | Panel, 2.00 X 12.50 |
| 14. 969177&001412BE | Panel, 6.11 X 7.00 |
| 15. 969177&001512BH | Panel, 4.91 X 4.88 |
| 16. 800507-02 | Lauan, .25" x 19" x 4.50" |
| 17. 801972-1010 | Stile, Aft Bath, Panel Radius, Planked coffee |
| 801972-1002 | Stile-Aft Bath Pnl Radius Linen |
| 381610-02 | Cover Cap, Plastic, European, Brown |
| 381610-01 | Cover Cap Plas. European White |
| 203445-07 | T-Trim, Ash grey, 9/16" |
| 203445-01 | T-Molding - .5625" White |
| 365386-01 | Edgebanding-Linen .63" |
| 802612-01 | Edgebanding, Planked coffee, 5/8" |
| 203138-09 | Extrusion, Plastic, Brown, 1/2" |
| 203138-01 | Extrusion-Plastic 1/2" Wall-White |

FURNITURE, BEDROOM

Wall, Curbside Twin Bedroom, 30RB



Parts Listed on Next Page

FURNITURE, BEDROOM

Wall, Curbside Twin Bedroom, 30RB

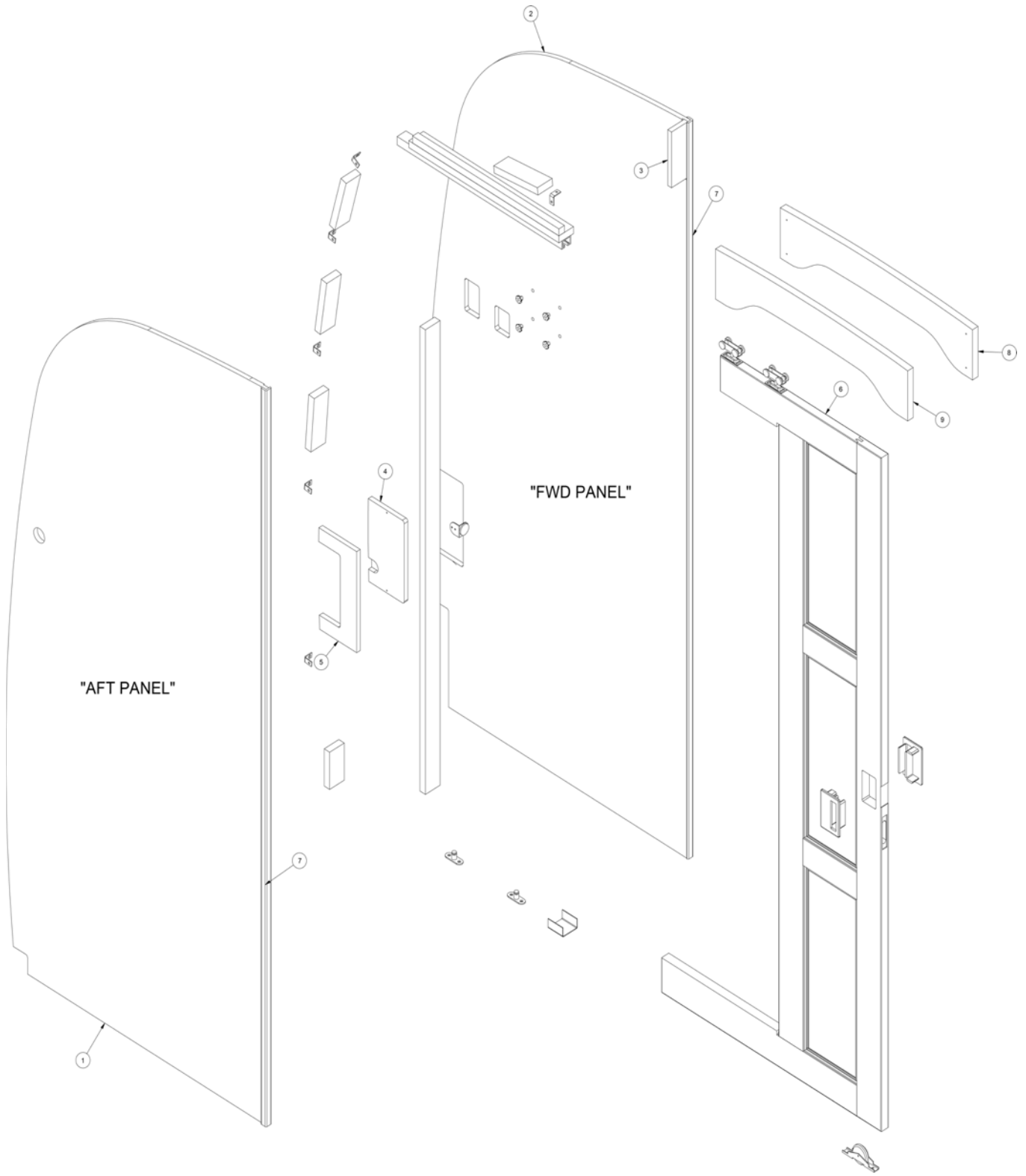
968438

CS Twin Bedroom Wall

- | | |
|---------------------|---|
| 1. 968438&001512BH | Pre laminate, 29.86 x 78.33" |
| 2. 968438&000212BB | Pnl-Prelam 3.56 X 78.11 |
| 3. 968438&000312BE | Pnl-Prelam 3.56 X 15.81 |
| 4. 968438&000412BE | Pnl-Prelam 3.56 X 15.81 |
| 5. 968438&000512BE | Pnl-Prelam 3.56 X 12.00 |
| 6. 968438&000612BE | Pnl-Prelam 10.94 X 9.50 |
| 7. 800507-02 | Lauan, .25 x 12 x 15.31 |
| 8. 801972-1010 | Stile, Aft Bath, Panel radius, Planked coffee |
| 801972-1002 | Stile-Aft Bath Pnl Radius Linen |
| 9. 968438&001612HE | Pre laminate, 4.15 x 6" |
| 10. 968438&001712HE | Pre laminate, 6.16 x 8" |
| 203138-09 | Extrusion, Plastic, Brown, 1/2" |
| 203138-01 | Extrusion-Plastic 1/2" Wall-White |
| 381610-02 | Cap cover, Plastic, Brown |
| 381610-01 | Cover Cap Plas. European White |

FURNITURE, BEDROOM

Bedroom Pocket Door, RS, 33FB



Parts Listed on Next Page

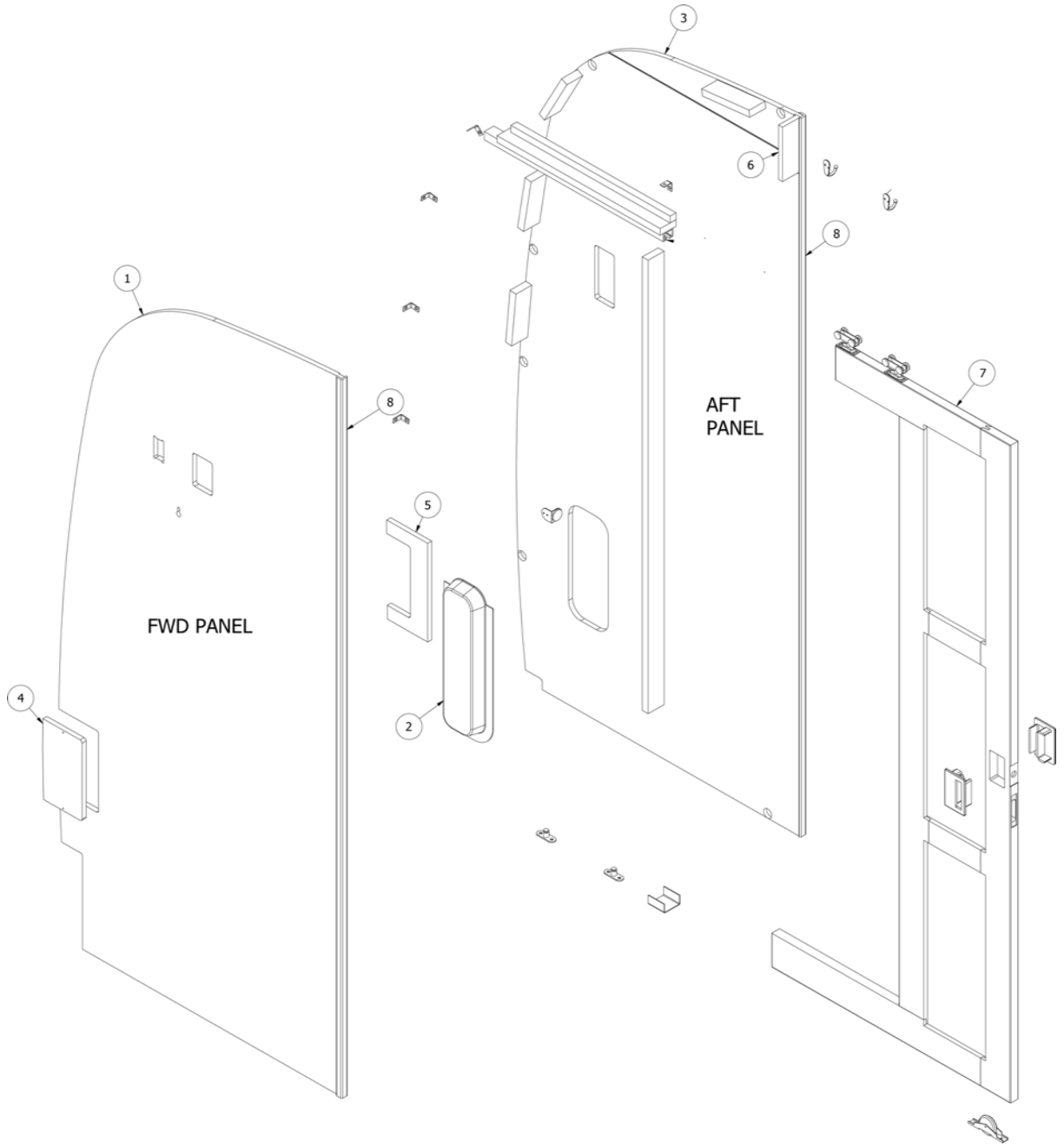
FURNITURE, BEDROOM

Bedroom Pocket Door, RS, 33FB

<p>968557 968557-01</p> <p>1. 968557&003712BB 2. 968557&003812BH 968557&011312BH 3. 968557&000312BE 4. 968557&000412BH 5. 968557&000512BE 6. 802621-1010 802475-1002 7. 801997-1010 801997-1002 8. 802495-011010 802495-011002 9. 802495-021010 802495-021002 381610-02 381610-01 203138-01 802260-1010 802612-01 365386-01 802260-1002 382444-01 382444-02 382444-03 382444-04 382445 382408 382343 382428 115882</p>	<p>RS Bedroom Pocket Door, Queen RS Bedroom Pocket Door, Twin</p> <p>Pre laminate, 35.57 x 78.78" Pre laminate, 35.56 x 78.78" Pnl-Prelam 35.55 X 79.22, Twin Pnl-Prelam 2.25X6.00 Pnl-Prelam 4.94 X 8.88 Pnl-Prelam 5.18 X 10.88 Pocket door, Shaker, Planked coffee Door-Pocket Shaker Style Linen Corner trim, Planked coffee Trim Outside Corner Linen Header, Bedroom, Planked coffee Header-Bedroom Linen Header, Bedroom, Planked coffee Header-Bedroom Linen Cap cover, Plastic, Brown Cover Cap Plas. European White Extrusion-Plastic 1/2" Wall-White Button, Hardwood, Planked coffee, 3/8" Edgebanding, Planked coffee, 5/8" Edgebanding, Linen, 5/8" Button-3/8" Mushroom White Pull, Pocket door edge Track, 36" Roller hardware kit Track stop Fixed bottom door guide Angled mount magnet, 1" Handle, Pocket door Pocket door wheel Bracket, Pocket door</p>
---	--

FURNITURE, BEDROOM

Bedroom Pocket Door, CS, 33FB



Parts Listed on Next Page

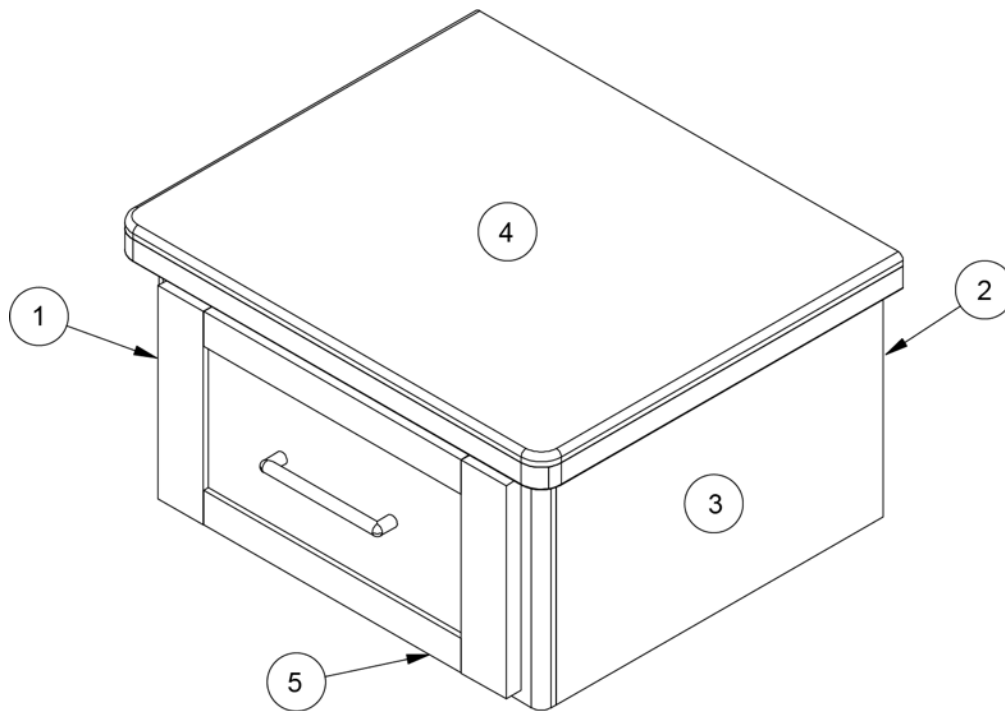
FURNITURE, BEDROOM

Bedroom Pocket Door, CS, 33FB

969178-01	CS Bedroom Pocket Door, Queen
969178-02	CS Bedroom Pocket Door, Twin
1. 969178&003912BH	Pre laminate, 35.56 x 78.78", Queen
969178&004012BH	Pre laminate, 35.56 x 78.78", Twin
2. 200773	Closeout, Reading light
3. 969178&004112BH	Pre laminate, 35.57 x 78.78"
4. 969178&010412BH	Panel, 4.94 x 8.88
5. 969178&010512BE	Panel, 5.18 x 10.88
6. 969178&010612BE	Panel, 2.25 x 6
7. 802625-1010	Pocket door, Shaker, Planked coffee
802475-1002	Door-Pocket Shaker Style Linen
8. 801997-1010	Corner trim, Planked coffee
801997-1002	Trim Outside Corner Linen
381610-02	Cap cover, Plastic, Brown
381610-01	Cover Cap Plas. European White
382444-01	Pull, Pocket door edge
382444-02	Track, 36"
382444-03	Roller hardware kit
382444-04	Track stop
382445	Fixed bottom door guide
382408	Angled mount magnet, 1"
382428	Pocket door wheel
382343	Handle, Pocket door
382407	Pocket door magnet
115882	Bracket, Pocket door
382732-02	Hook, Robe, Satin nickel
382732	Hook-Robe Brushed Bronze

FURNITURE, BEDROOM

Nightstand, Center



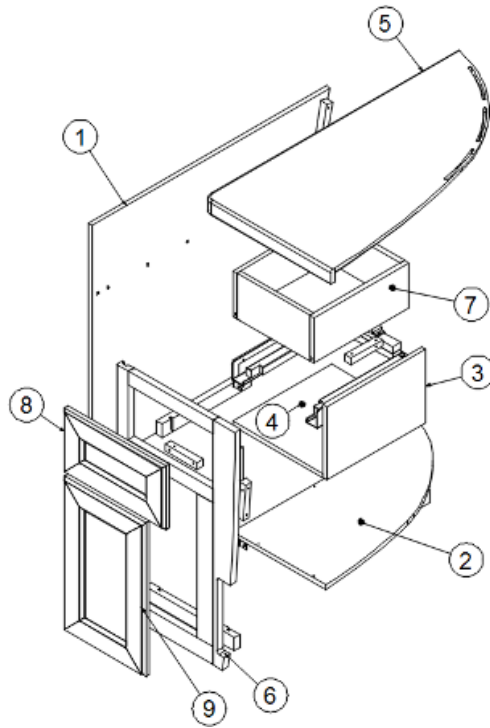
968246

Center Nightstand

- | | |
|--------------------|---|
| 1. 968246&000112BE | Pnl-Prelam 19.31 X 10.75 |
| 2. 968246&000412BE | Pnl-Prelam 18.38 X 10.75 |
| 3. 968246&000212BE | Pnl-Prelam 19.31 X 10.75 |
| 4. 602536-04 | Top, Center nightstand, Limestone |
| 602536-03 | Top-Night Stand Center Corian Cosmos Prima |
| 5. 802613-111010 | Drawer face, Planked coffee |
| 802463-111002 | Drawer Face-17.38 X 9.25 Linen |
| 802017-1010 | Face frame, Center nightstand, Planked coffee |
| 802017-1002 | Face Frame-Ctr Night Std Linen |
| 969706-05 | Drawer box, 5 x 15 x 15.75" |
| 386404-01 | Pull, Satin nickel |
| 382807-07 | Drawer slide, Self-close, 15" |
| 382807-01 | Fixing clip, Left front |
| 382807-02 | Fixing clip, Right front |
| 386404-02 | Pull-Matte Gold |
| 381228-02 | Catch, Grabber door, 5LB |

FURNITURE, BEDROOM

Nightstand, RS



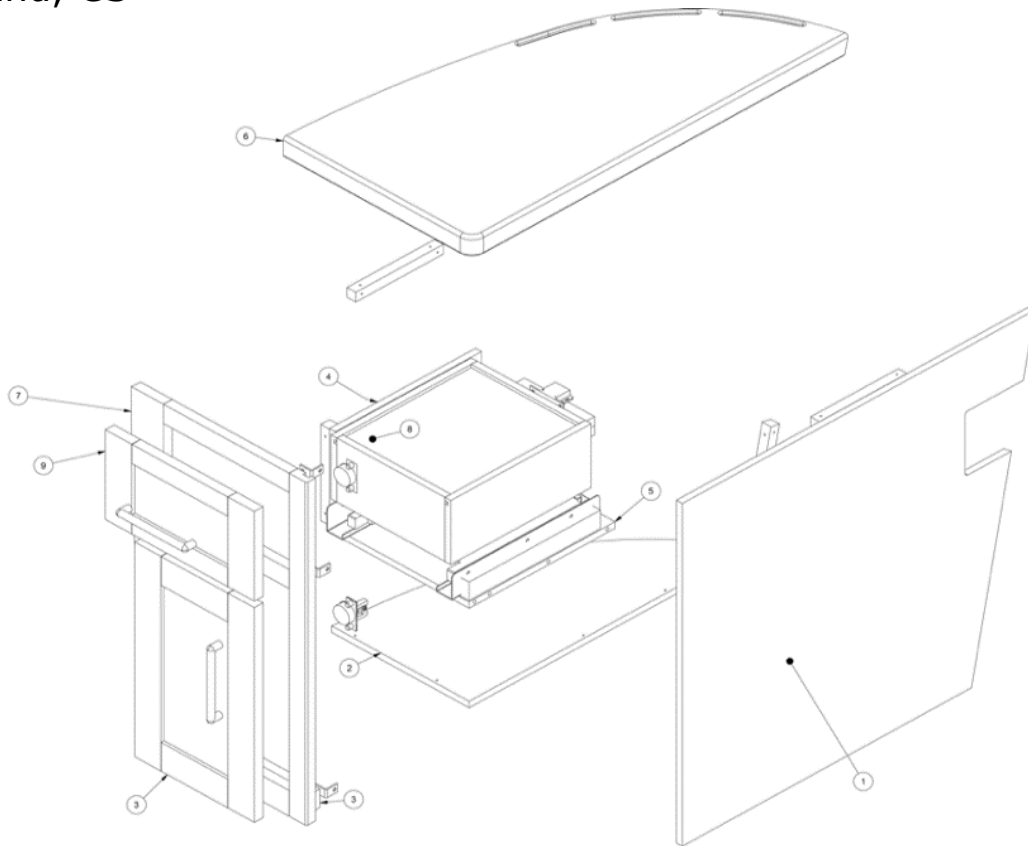
968409

RS Nightstand

- | | |
|--------------------|--|
| 1. 968409&000112BB | Pnl-Prelam 25.38 X 29.94 |
| 2. 968409&000212BE | Pnl-Prelam 11.75 X 23.65 |
| 3. 968409&000412BE | Pnl-Prelam 8.06 X 12.50 |
| 4. 968409&000512BE | Pnl-Prelam 11.44 X 12.50 |
| 5. 602566-04 | Top, Nightstand, RS Corian, Limestone |
| 602566-03 | Top-Night Stand RS Corian Cosmos Prima |
| 6. 802105-1010 | Face frame, Planked coffee |
| 802105-1002 | Face Frame-Rs N/S Linen |
| 7. 969706-06 | Drawer box, 5 x 12 x 10.13" |
| 8. 802613-051010 | Drawer face, 12.75 x 7, Planked coffee |
| 802463-051002 | Drwr Face-12.75 X 7 Linen |
| 9. 802462-111002 | Door-10.25 X 16.75 Shaker Linen |
| 802613-251010 | Door, Planked coffee, 10.25 x 16.75" |
| 380041 | Corner brace, 1" Stanley |
| 382238 | Hinge, 1" overlay |
| 382253-02 | Pull, Antique Silver, 5" |
| 386404-01 | Pull, Satin nickel |
| 386404-02 | Pull-Matte Gold |
| 381228-02 | Catch, Grabber door, 5LB |

FURNITURE, BEDROOM

Nightstand, CS



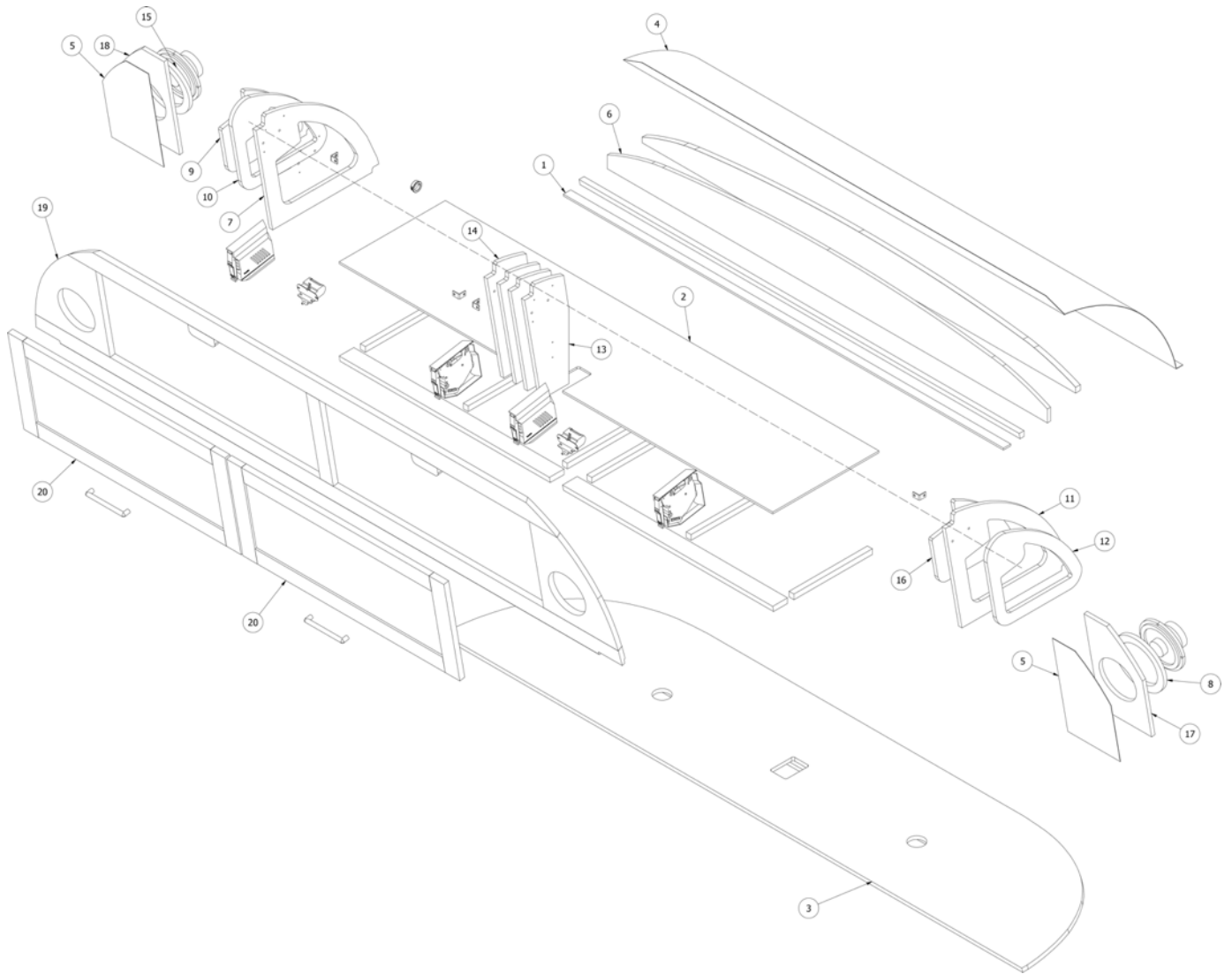
968408

CS Nightstand

- | | |
|--------------------|---|
| 1. 968408&000112BB | Pnl-Prelam 25.38 X 29.94 |
| 2. 968408&000212BE | Pnl-Prelam 11.75 X 23.65 |
| 3. 802462-111002 | Door-10.25 X 16.75 Shaker Linen |
| 802613-251010 | Door, Planked coffee, 10.25 x 16.75" |
| 4. 968408&000412BE | Pnl-Prelam 8.06 X 12.50 |
| 5. 968408&000512BE | Pnl-Prelam 11.44 X 12.50 |
| 6. 602566-04 | Top, Nightstand, RS Corian, Limestone |
| 602565-03 | Top-Night Stand CS Corian Cosmos Prima |
| 7. 802105-1010 | Face frame, Planked coffee |
| 802104-1002 | Face Frame-CS Nightstand Linen |
| 8. 969706-06 | Drawer box, 5 x 12 x 10.13" |
| 9. 802613-051010 | Drawer face, Planked coffee, 12.75 x 7" |
| 802463-051002 | Drwr Face-12.75 X 7.00 Linen |
| 380041 | Corner brace, 1" Stanley |
| 382238 | Hinge, 1" overlay |
| 382253-02 | Pull, Antique Silver, 5" |
| 386404-01 | Pull, Satin nickel |
| 386404-02 | Pull-Matte Gold |
| 381228-02 | Catch, Grabber door, 5LB |

FURNITURE, BEDROOM

Roof Locker, Queen, 30RB, 30RB CSA, 33FB CSA



Parts Listed on Next Page

FURNITURE, BEDROOM

Roof Locker, Queen, 30RB, 30RB CSA, 33FB CSA

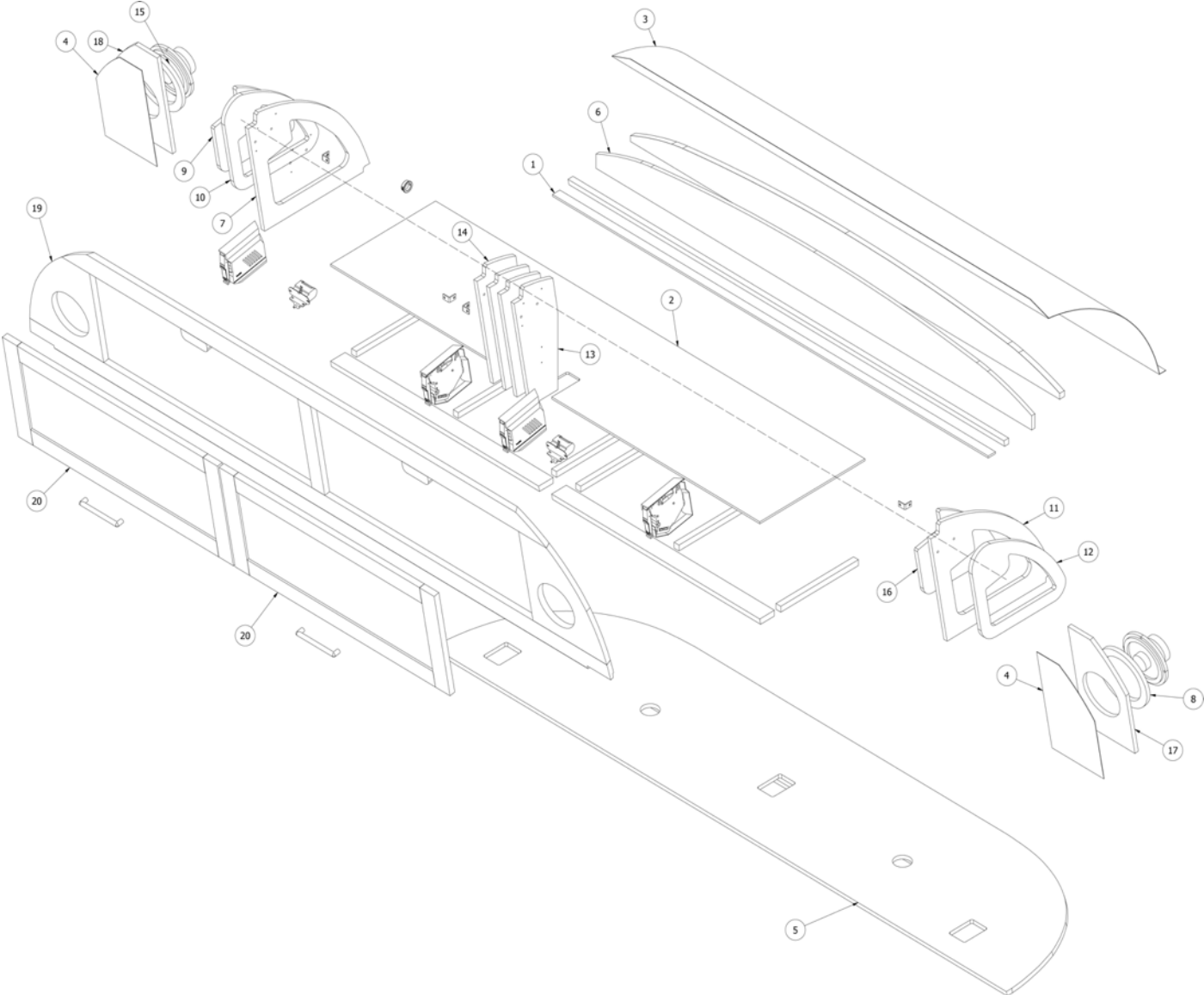
969324-02

Roof Locker, Bedroom, Queen

- | | |
|--|--|
| <ol style="list-style-type: none"> 1. 969324&020106BE 2. 969324&020206BE 3. 969324&020312BE 4. 115644 5. 704308-01
704308 6. 969324&020712BE 7. 969324&020812BE 8. 969324&020912BE 9. 969324&021012BE 10. 969324&021212BE 11. 969324&021312BE 12. 969324&021412BE 13. 969324&021512BE 14. 969324&021612BE 15. 969324&021712BE 16. 969324&021812BE 17. 969324&021912BE 18. 969324&022012BE 19. 802482-1002
802482-1010 20. 802465-061002
802613-431010
386404-01
386404-02
382733
116180
380041
512831
382213 | <p>Pre Laminate- 0.25 X 1.13 X 67.38</p> <p>Pre Laminate- 0.25 X 16.25 X 66.38</p> <p>Pre Laminate- 0.50 X 89.00 X 20.50</p> <p>Alum back</p> <p>Cloth, Speaker grill, White</p> <p>Cloth, Speaker grill, Black</p> <p>Pre Laminate- 0.50 X 6.13 X 67.38</p> <p>Pre Laminate- 0.50 X 16.00 X 19.00</p> <p>Pre Laminate- 0.50 X 8.00 X 8.00</p> <p>Pre Laminate- 0.50 X 11.00 X 13.00</p> <p>Pre Laminate- 0.50 X 12.50 X 15.00</p> <p>Pre Laminate- 0.50 X 16.00 X 19.00</p> <p>Pre Laminate- 0.50 X 12.50 X 15.00</p> <p>Pre Laminate- 0.50 X 16.00 X 8.00</p> <p>Pre Laminate- 0.50 X 16.00 X 8.00</p> <p>Pre Laminate- 0.50 X 8.00 X 8.00</p> <p>Pre Laminate- 0.50 X 11.00 X 13.00</p> <p>Pre Laminate- 0.50 X 8.00 X 13.75</p> <p>Pre Laminate- 0.50 X 8.00 X 13.75</p> <p>Face frame, Endliner, Shaker, Linen</p> <p>Face frame, Endliner, Shaker, Planked coffee</p> <p>Locker door, Shaker, Linen, 33.75 x 14.25"</p> <p>Locker door, Shaker, Planked coffee, 33.69 x 14.25"</p> <p>Pull, Satin nickel</p> <p>Pull, Matte Gold</p> <p>Plate-Mounting Door Blum HK-S</p> <p>Locker Shroud</p> <p>Brace, Corner, 1"</p> <p>Closet Light W/Plunger L.E.D. BLK</p> <p>Mechanism-Blum Lift O/V Door</p> |
|--|--|

FURNITURE, BEDROOM

Roof Locker, Twin, 30RB, 30RB CSA, 33FB CSA



Parts Listed on Next Page

FURNITURE, BEDROOM

Roof Locker, Twin, 30RB, 30RB CSA, 33FB CSA

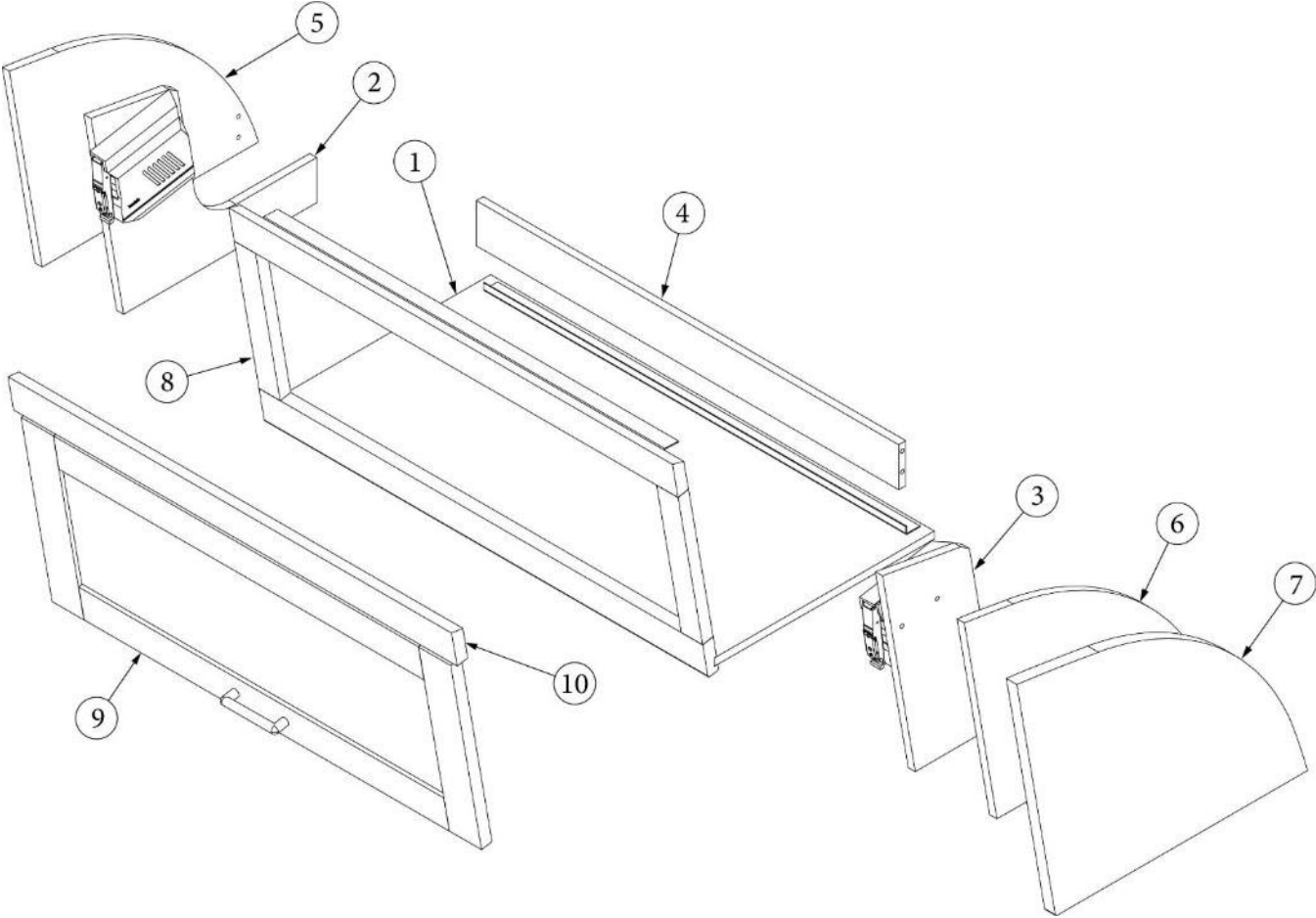
969324-03

Roof Locker, Bedroom, Twin

- | | |
|--|--|
| <ol style="list-style-type: none"> 1. 969324&030106BE 2. 969324&030206BE 3. 115644 4. 704308-01
704308 5. 969324&030612BE 6. 969324&030712BE 7. 969324&030812BE 8. 969324&030912BE 9. 969324&031012BE 10. 969324&031212BE 11. 969324&031312BE 12. 969324&031412BE 13. 969324&031512BE 14. 969324&031612BE 15. 969324&031712BE 16. 969324&031812BE 17. 969324&031912BE 18. 969324&032012BE 19. 802482-1002
802482-1010 20. 802465-061002
802613-431010
386404-01
386404-02
116180
380041
512831
382213
382733 | <p>Pre Laminate- 0.25 X 1.13 X 67.38</p> <p>Pre Laminate- 0.25 X 16.25 X 66.38</p> <p>Alum back</p> <p>Cloth-Speaker Grill – White</p> <p>Cloth, Speaker grill, Black</p> <p>Pre Laminate- 0.50 X 89.00 X 20.50</p> <p>Pre Laminate- 0.50 X 6.13 X 67.38</p> <p>Pre Laminate- 0.50 X 16.00 X 19.00</p> <p>Pre Laminate- 0.50 X 8.00 X 8.00</p> <p>Pre Laminate- 0.50 X 11.00 X 13.00</p> <p>Pre Laminate- 0.50 X 12.50 X 15.00</p> <p>Pre Laminate- 0.50 X 16.00 X 19.00</p> <p>Pre Laminate- 0.50 X 12.50 X 15.00</p> <p>Pre Laminate- 0.50 X 16.00 X 8.00</p> <p>Pre Laminate- 0.50 X 16.00 X 8.00</p> <p>Pre Laminate- 0.50 X 8.00 X 8.00</p> <p>Pre Laminate- 0.50 X 11.00 X 13.00</p> <p>Pre Laminate- 0.50 X 8.00 X 13.75</p> <p>Pre Laminate- 0.50 X 8.00 X 13.75</p> <p>Face Frame-Endliner Shaker</p> <p>Face frame, Endliner, Shaker, Planked coffee</p> <p>Locker door, Shaker, Linen, 33.75 x 14.25"</p> <p>Locker door, Shaker, Planked coffee, 33.69 x 14.25"</p> <p>Pull, Satin nickel</p> <p>Pull-Matte Gold</p> <p>Locker Shroud</p> <p>Brace, Corner, 1"</p> <p>Closet Light W/Plunger L.E.D. BLK</p> <p>Mechanism-Blum Lift O/V Door</p> <p>Plate-Mounting Door Blum HK-S</p> |
|--|--|

FURNITURE, BEDROOM

Roof Locker, Twin, Roadside and Curbside, 30RB



Parts Listed on Next Page

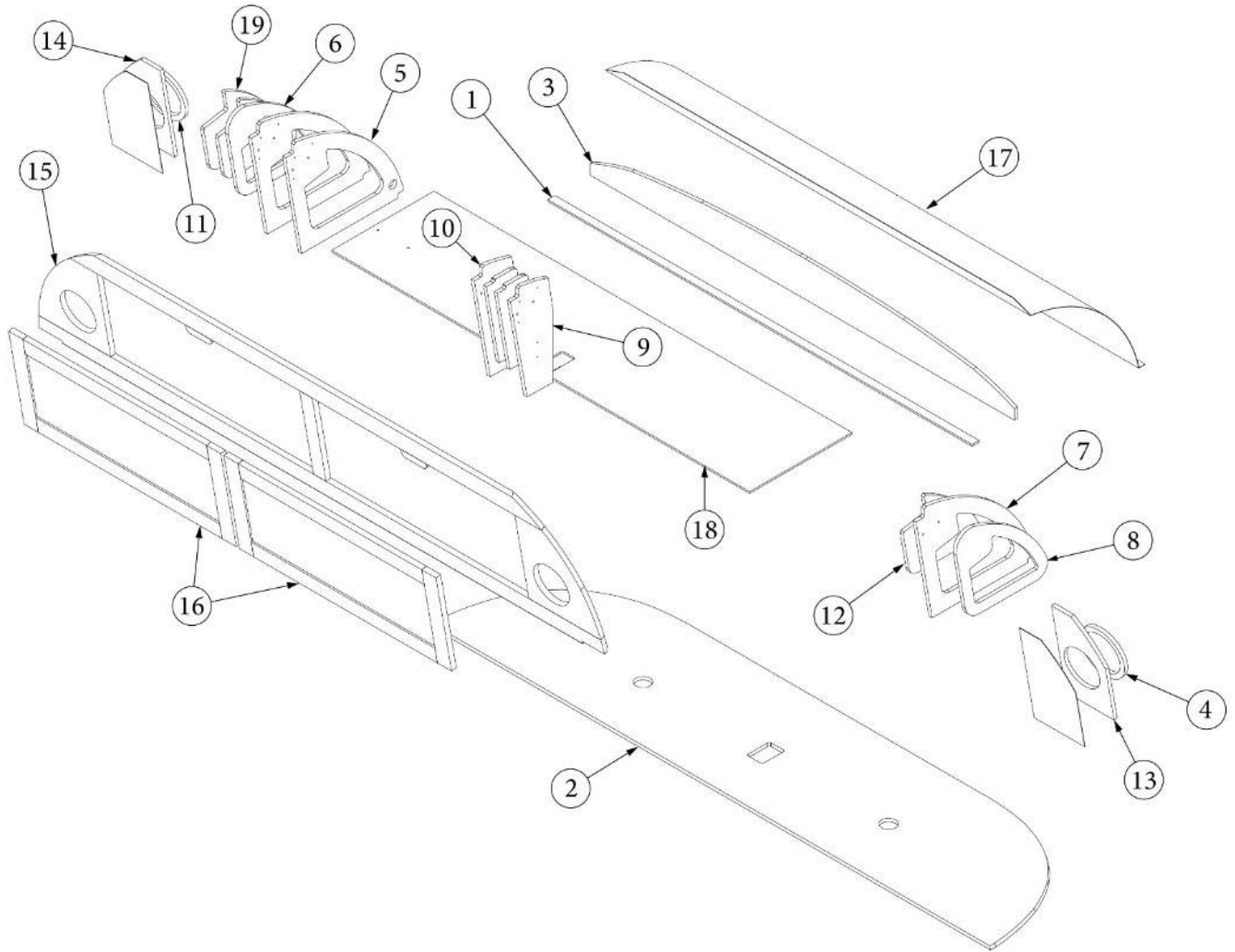
FURNITURE, BEDROOM

Roof Locker, Twin, Roadside and Curbside, 30RB

969720-01	Roof Locker, Bedroom, Twin, RS
969720-02	Roof Locker, Bedroom, Twin, CS
1. 969720&000112BB	Pre laminate, 0.5 X 15.5 X 31.25"
2. 969720&000212BB	Pre laminate, 0.5 X 15.9 X 13.09"
3. 969720&000312BB	Pre laminate, 0.5 X 15.9 X 13.09"
4. 969720&000412BB	Pre laminate, 0.5 X 2.75 X 29.75"
5. 969720&000512BE	Pre laminate, 17.56 x 13.09"
6. 969720&000612BE	Pre laminate, 17.56 x 13.09"
7. 802629-1002	End cap, Linen
802629-1010	End cap, Planked coffee
8. 802628-1002	Face frame, Linen
802628-1010	Face frame, Planked coffee
9. 802465-091002	Door, Locker, Linen, 30.75 x 12.5"
802613-481010	Door, Locker, Planked coffee, 30.75 x 12.5"
10. 802487-041002	Header, Face frame, Linen
802487-041010	Header, Face frame, Planked coffee
386404-01	Pull, Satin nickel
386404-02	Pull, Matte gold
382213	Mechanism-Blum Lift O/V Door
382733	Plate-Mounting Door Blum HK-S
382734	100-degree restriction clip
365386-01	Edgebanding, Linen, 5/8"
802612-01	Edgebanding, Planked coffee, 5/8"

FURNITURE, BEDROOM

Roof Locker, Queen, 33FB



Parts Listed on Next Page

FURNITURE, BEDROOM

Roof Locker, Queen, 33FB

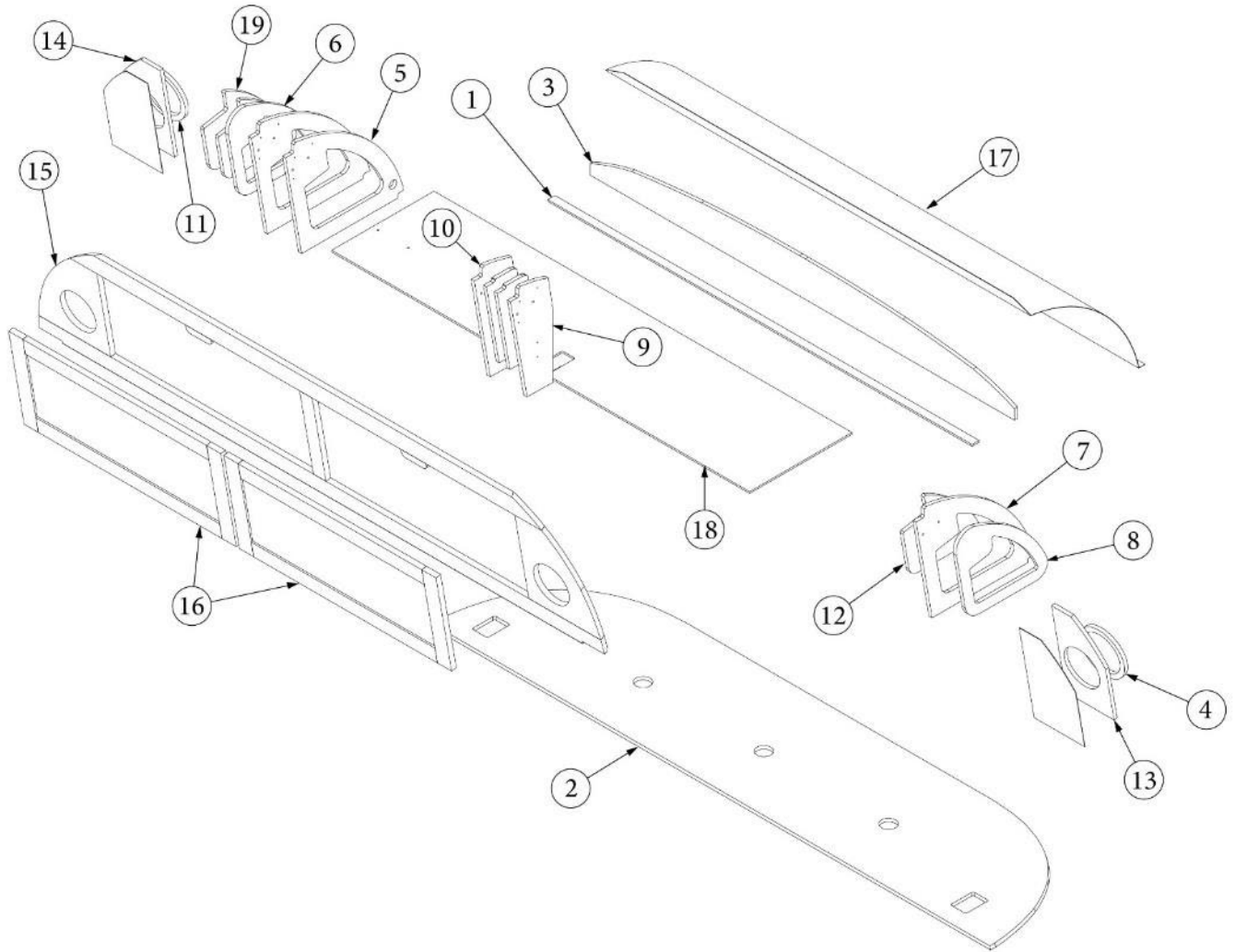
969324-04

Roof Locker, Bedroom, Queen

- | | |
|--|--|
| <ol style="list-style-type: none"> 1. 969324&040106BE 2. 969324&040312BE 3. 969324&040712BE 4. 969324&040912BE 5. 969324&041112BE 6. 969324&041212BE 7. 969324&041312BE 8. 969324&041412BE 9. 969324&041512BE 10. 969324&041612BE 11. 969324&041712BE 12. 969324&041812BE 13. 969324&041912BE 14. 969324&042012BE 15. 802482-1002 <li style="padding-left: 20px;">802482-1010 16. 802465-061002 <li style="padding-left: 20px;">802613-431010 17. 115644 18. 969324&043906BE 19. 969324&044012BE <li style="padding-left: 20px;">704308-01 <li style="padding-left: 20px;">704308 <li style="padding-left: 20px;">386404-01 <li style="padding-left: 20px;">386404-02 <li style="padding-left: 20px;">382733 <li style="padding-left: 20px;">116180 <li style="padding-left: 20px;">500132 <li style="padding-left: 20px;">380041 <li style="padding-left: 20px;">512831 <li style="padding-left: 20px;">382213 | <p>Pre Laminate- 0.25 X 1.13 X 67.38</p> <p>Pre Laminate- 0.50 X 89.00 X 20.50</p> <p>Pre Laminate- 0.50 X 6.13 X 67.38</p> <p>Pre Laminate- 0.50 X 8.00 X 8.00</p> <p>Pre laminate, .5 x 16 x 19"</p> <p>Pre Laminate- 0.50 X 12.50 X 15.00</p> <p>Pre Laminate- 0.50 X 16.00 X 19.00</p> <p>Pre Laminate- 0.50 X 12.50 X 15.00</p> <p>Pre Laminate- 0.50 X 16.00 X 8.00</p> <p>Pre Laminate- 0.50 X 16.00 X 8.00</p> <p>Pre Laminate- 0.50 X 8.00 X 8.00</p> <p>Pre Laminate- 0.50 X 11.00 X 13.00</p> <p>Pre Laminate- 0.50 X 8.00 X 13.75</p> <p>Pre Laminate- 0.50 X 8.00 X 13.75</p> <p>Face Frame-Endliner Shaker</p> <p>Face frame, Endliner, Shaker, Planked coffee</p> <p>Locker door, Shaker, Linen, 33.75 x 14.25"</p> <p>Locker door, Planked coffee, 33.69 x 14.25"</p> <p>Aluminum back</p> <p>Pre laminate, .25 x 16.25 x 66.38"</p> <p>Pre laminate, .5 x 11 x 13"</p> <p>Cloth-Speaker Grill - White</p> <p>Cloth, Speaker grill, Black</p> <p>Pull, Satin nickel</p> <p>Pull-Matte Gold</p> <p>Plate-Mounting Door Blum HK-S</p> <p>Locker Shroud</p> <p>Grommet 1" (1-3/16 Id) #2182</p> <p>Brace 1" Stanley Corner</p> <p>Closet Light W/Plunger L.E.D. BLK</p> <p>Mechanism-Blum Lift O/V Door</p> |
|--|--|

FURNITURE, BEDROOM

Roof Locker, Twin, 33FB



Parts Listed on Next Page

FURNITURE, BEDROOM

Roof Locker, Twin, 33FB

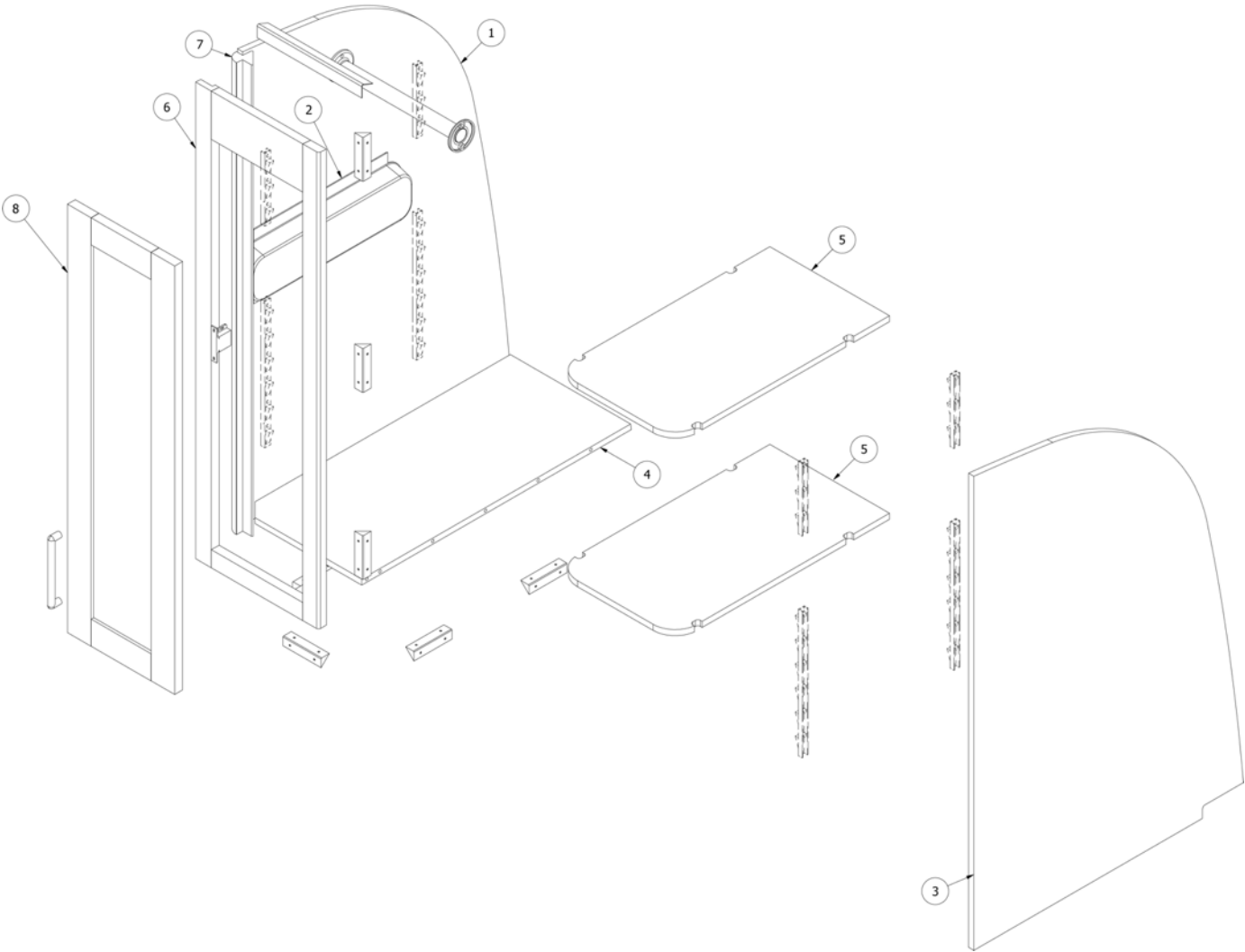
969324-05

Roof Locker, Twin

- | | |
|--|--|
| <ol style="list-style-type: none"> 1. 969324&050106BE 2. 969324&050612BE 3. 969324&050712BE 4. 969324&050912BE 5. 969324&051112BE 6. 969324&051212BE 7. 969324&051312BE 8. 969324&051412BE 9. 969324&051512BE 10. 969324&051612BE 11. 969324&051712BE 12. 969324&051812BE 13. 969324&051912BE 14. 969324&052012BE 15. 802482-1002
802482-1010 16. 802465-061002
802613-431010 17. 115644 18. 969324&053906BE 19. 969324&054012BE
704308-01
704308
386404-01
386404-02
382733
116180
500132
380041
512831
382213 | <p>Pre Laminate- 0.25 X 1.13 X 67.38
 Pre Laminate- 0.50 X 89.00 X 20.50
 Pre Laminate- 0.50 X 6.13 X 67.38
 Pre Laminate- 0.50 X 8.00 X 8.00
 Pre laminate, .5 x 16 x 19"
 Pre Laminate- 0.50 X 12.50 X 15.00
 Pre Laminate- 0.50 X 16.00 X 19.00
 Pre Laminate- 0.50 X 12.50 X 15.00
 Pre Laminate- 0.50 X 16.00 X 8.00
 Pre Laminate- 0.50 X 16.00 X 8.00
 Pre Laminate- 0.50 X 8.00 X 8.00
 Pre Laminate- 0.50 X 11.00 X 13.00
 Pre Laminate- 0.50 X 8.00 X 13.75
 Pre Laminate- 0.50 X 8.00 X 13.75
 Face Frame-Endliner Shaker
 Face frame, Endliner, Shaker, Planked coffee
 Locker door, Shaker, Linen, 33.75 x 14.25"
 Locker door, Planked coffee, 33.69 x 14.25"
 Aluminum back
 Pre laminate, .25 x 16.25 x 66.38"
 Pre laminate, .5 x 11 x 13"
 Cloth-Speaker Grill - White
 Cloth, Speaker grill, Black
 Pull, Satin nickel
 Pull-Matte Gold
 Plate-Mounting Door Blum HK-S
 Locker Shroud
 Grommet 1" (1-3/16 Id) #2182
 Brace 1" Stanley Corner
 Closet Light W/Plunger L.E.D. BLK
 Mechanism-Blum Lift O/V Door</p> |
|--|--|

FURNITURE, BEDROOM

Hanging Wardrobe, RS, 30RB



Parts Listed on Next Page

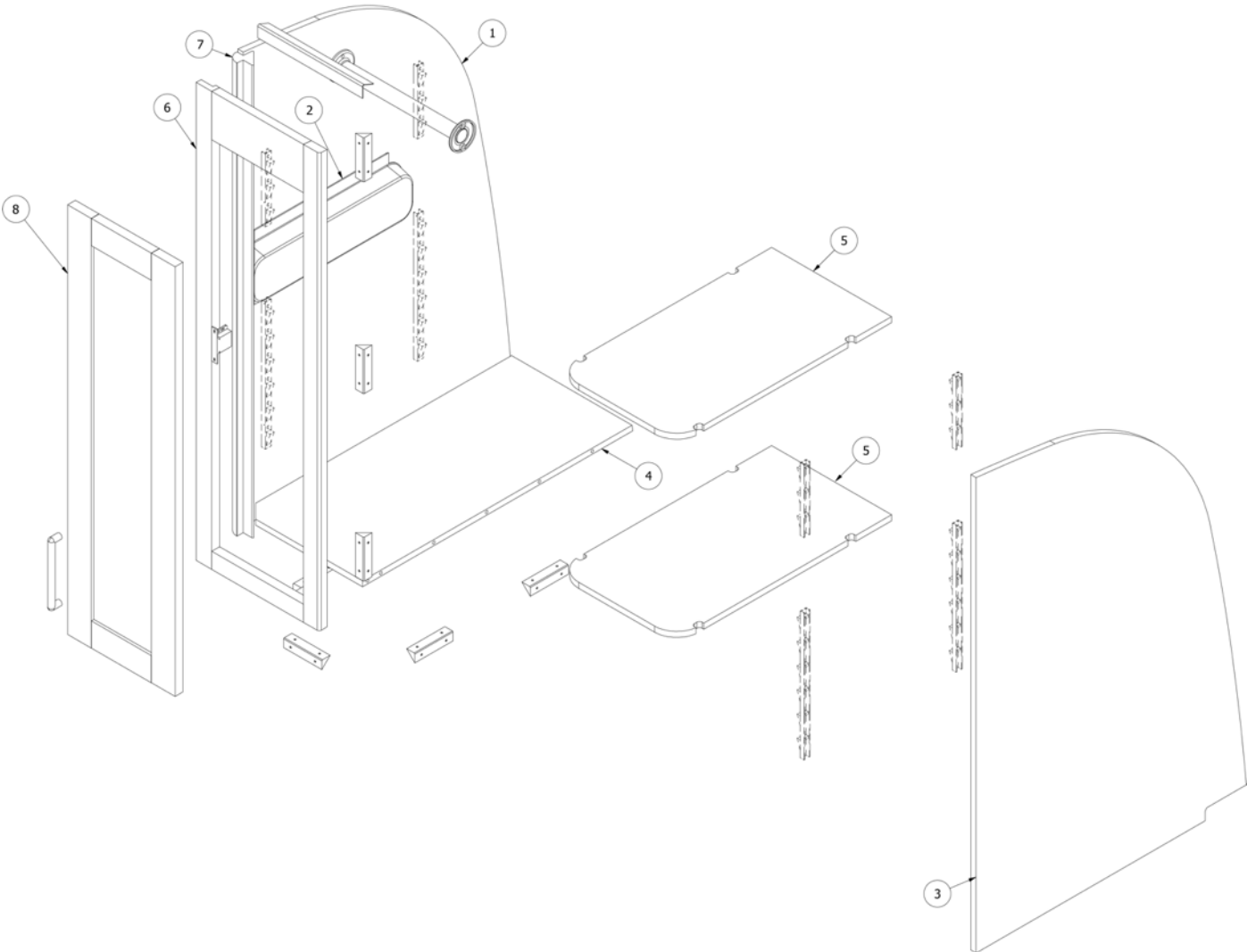
FURNITURE, BEDROOM

Hanging Wardrobe, RS, 30RB

969154-01	Assembly - Hanging Wardrobe RS, 30' Classic
1. 969154&012612BB	Pre laminate, 25.59 x 39.25"
2. 200773	Closeout, Reading Light Abs
3. 969154&012712BB	Pre laminate, 25.86 x 39.28"
4. 969154&010412BB	Panel, 11.50 x 25.78
5. 969154&010512BB	Panel, 11.44 x 20.50
6. 802018-1002	Face Frame-RS Hang Ward Linen
802018-1010	Face frame, Planked coffee
7. 801415-WH	Corner trim, 1" Radius, Linen
801415-1010	Corner trim, 1" Radius, Planked coffee
8. 802462-131002	Door-10.25 X 35.50 Shaker Linen
802613-271010	Door, Drawer face, Planked coffee 10.25 x 35.5"
382253-02	Pull-Antique Silver 5 3/16"
386404-01	Pull, Satin nickel
386404-02	Pull, Matte gold
365386-01	Edgebanding, Linen, 5/8"
802612-01	Edgebanding, Planked coffee, 5/8"
203138-06	Wall Extrusion-Plas Ash Grey
380045	Tubing 3/4" Elec Metallic
380046	Flange Chrome
200975-04	Conduit, Flexible Black Plastic
386279	Brace-Corner .75x.75x3.5
104821	Support, Roof locker
114750	Hinge "J" (Rockguard Assy.)
381527	Shelf Strips Speedy
381228-02	Catch Grabber Door C3-805 5#
382238	Hinge-Compact 39c Blum Steel Nickel Plated

FURNITURE, BEDROOM

Hanging Wardrobe, RS, 33FB



Parts Listed on Next Page

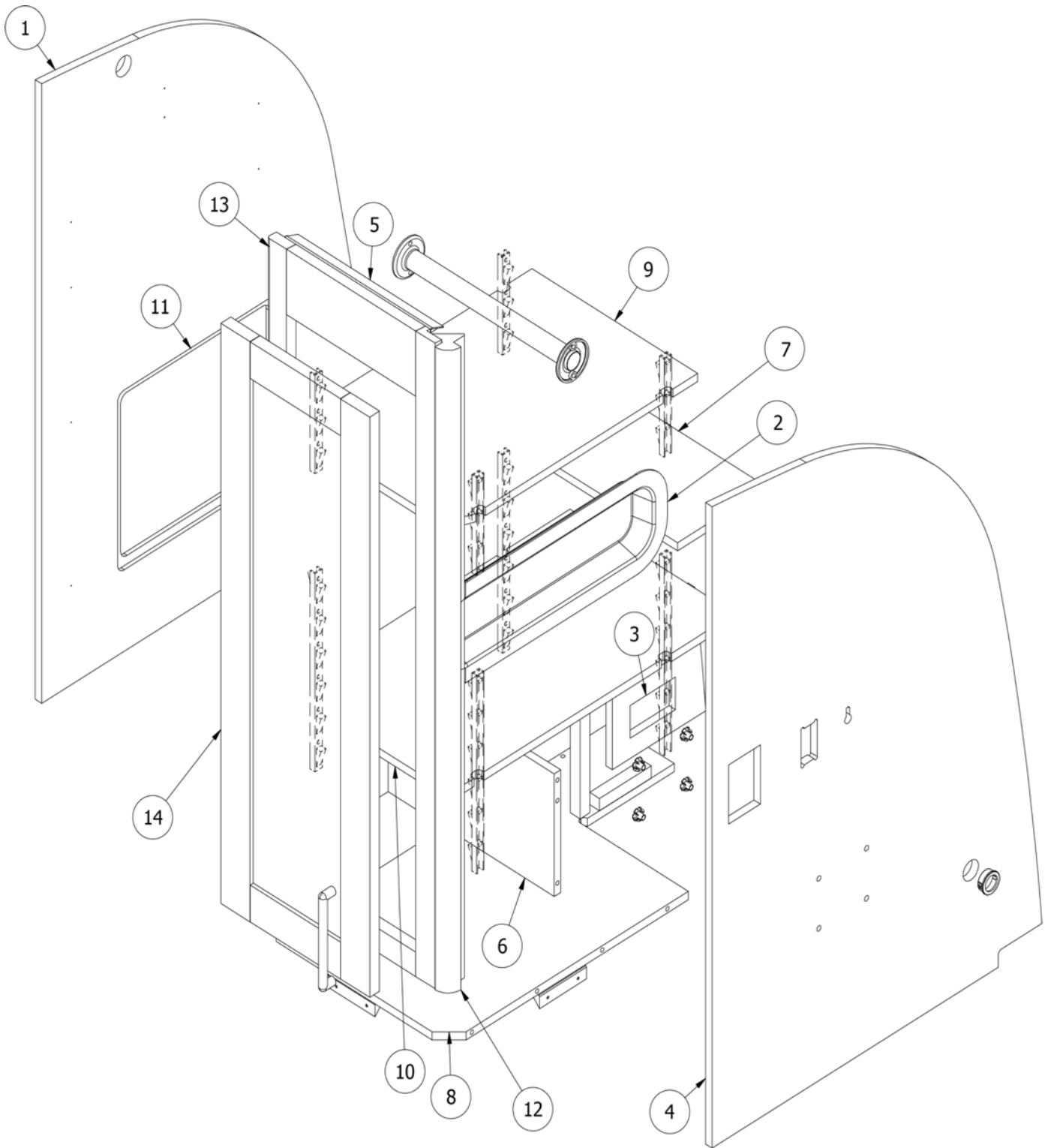
FURNITURE, BEDROOM

Hanging Wardrobe, RS, 33FB

969154-02	Assembly - Hanging Wardrobe RS, 33' Classic
1. 969154&022812BB	Pre laminate, 25.59 x 39.25"
2. 200773	Closeout, Reading Light Abs
3. 969154&012712BB	Pre laminate, 25.86 x 39.28"
4. 969154&020412BB	Panel, 11.50 x 25.78
5. 969154&020512BB	Panel, 11.44 x 20.50
6. 802018-1002	Face Frame-RS Hang Ward Linen
802018-1010	Face frame, Planked coffee
7. 801415-WH	Corner trim, 1" Radius, Linen
801415-1010	Corner trim, 1" Radius, Planked coffee
8. 802462-131002	Door-10.25 X 35.50 Shaker Linen
802613-271010	Door, Drawer face, Planked coffee 10.25 x 35.5"
382253-02	Pull-Antique Silver 5 3/16"
386404-01	Pull, Satin nickel
386404-02	Pull-Matte Gold
203138-06	Plastic Wall Extrusion, .5", Ash Grey
365386-01	Edgebanding, Linen, 5/8"
802612-01	Edgebanding, Planked coffee, 5/8"
380045	Tubing 3/4" Elec Metallic
380046	Flange Chrome
200975-04	Conduit, Flexible Black Plastic
386279	Brace-Corner .75x.75x3.5
104821	Support, Roof locker
114750	Hinge (Rockguard Assy.)
381527	Shelf Strips Speedy
381228-02	Catch Grabber Door C3-805 5#
382238	Hinge-Compact 39c Blum Steel Nickel Plated

FURNITURE, BEDROOM

Hanging Wardrobe, CS, Twin, 30RB



Parts Listed on Next Page

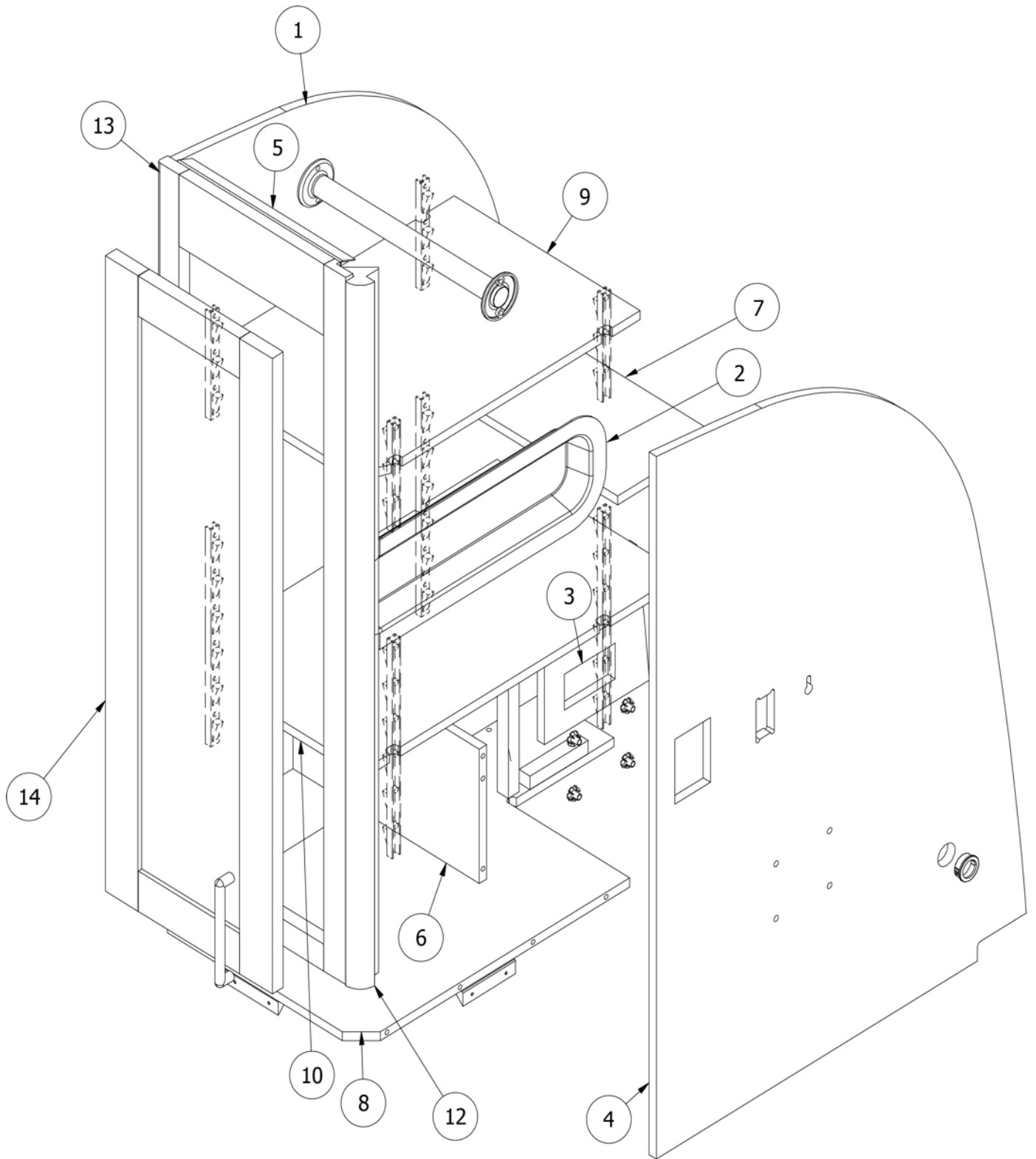
FURNITURE, BEDROOM

Hanging Wardrobe, CS, Twin, 30RB

969136-01	Assembly - Hanging Wardrobe CS, 30'
1. 969136&013712BE	Pre laminate, 25.77 x 37.92"
2. 200773	Closeout, Reading Light ABS
3. 969136&010312BE	Panel, 7.23 X 8.00
4. 969136&013912BB	Pre laminate, 25.5 x 39.25"
5. 104821	Support, 74"
6. 969136&010612BB	Panel, 12.875 X 7.50
7. 969136&010712BB	Panel, 12.875 X 6.88
8. 969136&010812BB	Panel, 13.50 X 25.78
9. 969136&010912BB	Panel, 11.44 X 20.50
10. 969136&011012BB	Panel, 11.44 X 20.50
11. 969136&011112BB	Panel, 10.88 X 11.94
12. 801415-WH	Corner trim, 1" Radius, Linen
801415-1010	Corner trim, 1" Radius, Planked coffee
13. 802019-1002	Face Frame-CS Hang Ward Linen
802019-1010	Face frame, CS, Planked coffee
14. 802613-261010	Door, Planked coffee, 11.5 x 35.5"
802462-121002	Door-11.5 X 35.5 Shaker Linen
203138-06	Plastic Wall Extrusion, .5", Ash Grey
365386-01	Edgebanding, Linen, 5/8"
802612-01	Edgebanding, Planked coffee, 5/8"
382253-02	Handle Pull, 5"
386404-01	Pull, Satin nickel
386404-02	Pull-Matte Gold
380045	Tubing, 3/4"
200975-04	Conduit, Flexible, Black
380046	Flange, Chrome
386279	Corner brace, 3.5 x .75 x .75
381228-02	Catch, Grabber door, 5LB
381527	EZ Strip, Shelf Support
500132	Grommet, Black 1.19 OD

FURNITURE, BEDROOM

Hanging Wardrobe, CS, Twin, 33FB



Parts Listed on Next Page

FURNITURE, BEDROOM

Hanging Wardrobe, CS, Twin, 33FB

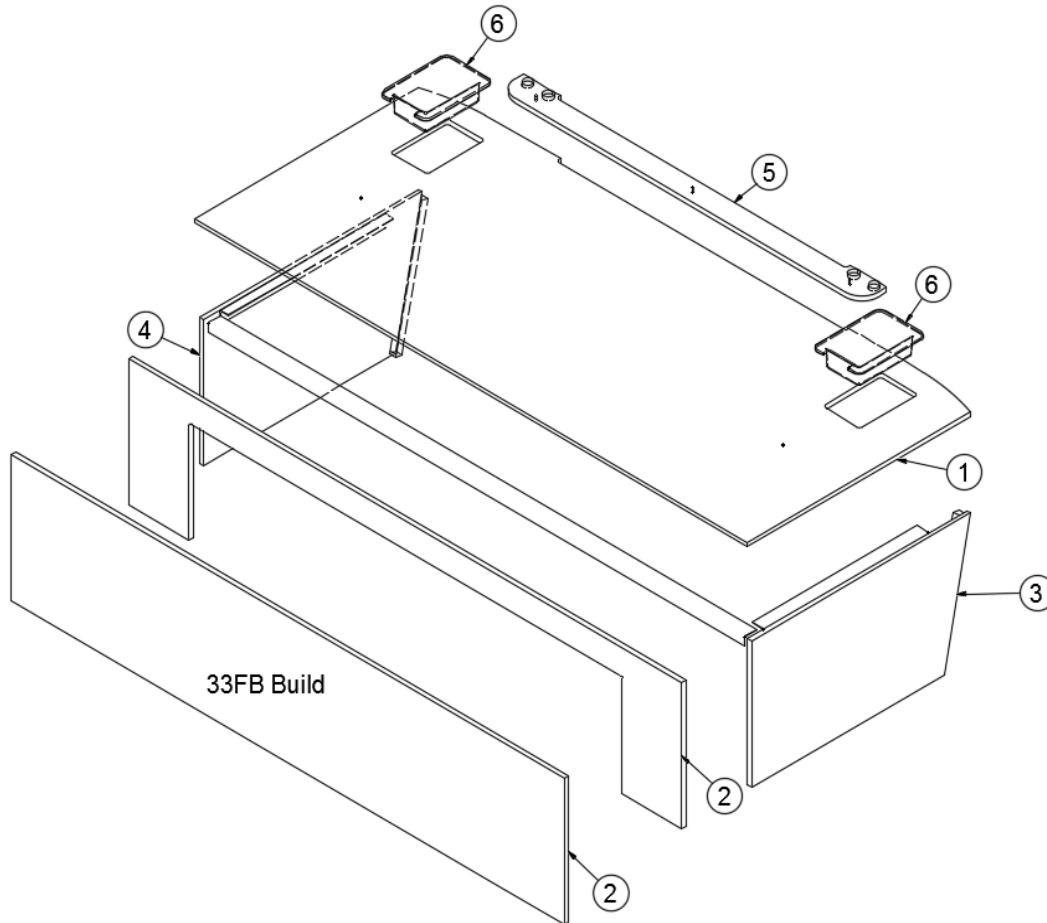
969136-02

Assembly - Hanging Wardrobe CS, 33'

- | | |
|--|--|
| <ol style="list-style-type: none"> 1. 969136&023812BE 2. 200773 3. 969136&020312BE 4. 969136&024012BB 5. 104821 6. 969136&020612BB 7. 969136&020712BB 8. 969136&020812BB 9. 969136&020912BB 10. 969136&021012BB 11. 969136&021112BB 12. 801415-WH
801415-1010 13. 802019-1002
802019-1010 14. 802613-261010
802462-121002
203138-06
365386-01
802612-01
382253-02
386404-01
386404-02
380045
200975-04
380046
386279
381228-02
381527
500132 | <p>Pre laminate, 25.77 x 37.92"</p> <p>Closeout, Reading Light ABS</p> <p>Panel, 7.23 X 8.00</p> <p>Pre laminate, 25.5 x 39.25"</p> <p>Support, 74"</p> <p>Panel, 12.875 X 7.50</p> <p>Panel, 12.875 X 6.88</p> <p>Panel, 13.50 X 25.78</p> <p>Panel, 11.44 X 20.50</p> <p>Panel, 11.44 X 20.50</p> <p>Panel, 10.88 X 11.94</p> <p>Corner trim, 1" Radius, Linen</p> <p>Corner trim, 1" Radius, Planked coffee</p> <p>Face Frame-CS Hang Ward Linen</p> <p>Face frame, CS, Planked coffee</p> <p>Door, Planked coffee, 11.5 x 35.5"</p> <p>Door-11.00 X 35.50 Shaker Linen</p> <p>Plastic Wall Extrusion, .5", Ash Grey</p> <p>Edgebanding, Linen, 5/8"</p> <p>Edgebanding, Planked coffee, 5/8"</p> <p>Handle Pull, 5"</p> <p>Pull, Satin nickel</p> <p>Pull-Matte Gold</p> <p>Tubing, 3/4"</p> <p>Conduit, Flexible, Black</p> <p>Flange, Chrome</p> <p>Corner brace, 3.5 x .75 x .75</p> <p>Catch, Grabber door, 5LB</p> <p>EZ Strip, Shelf Support</p> <p>Grommet, Black 1.19 OD</p> |
|--|--|

FURNITURE, BEDROOM

Trunk Storage, Queen, 30RB



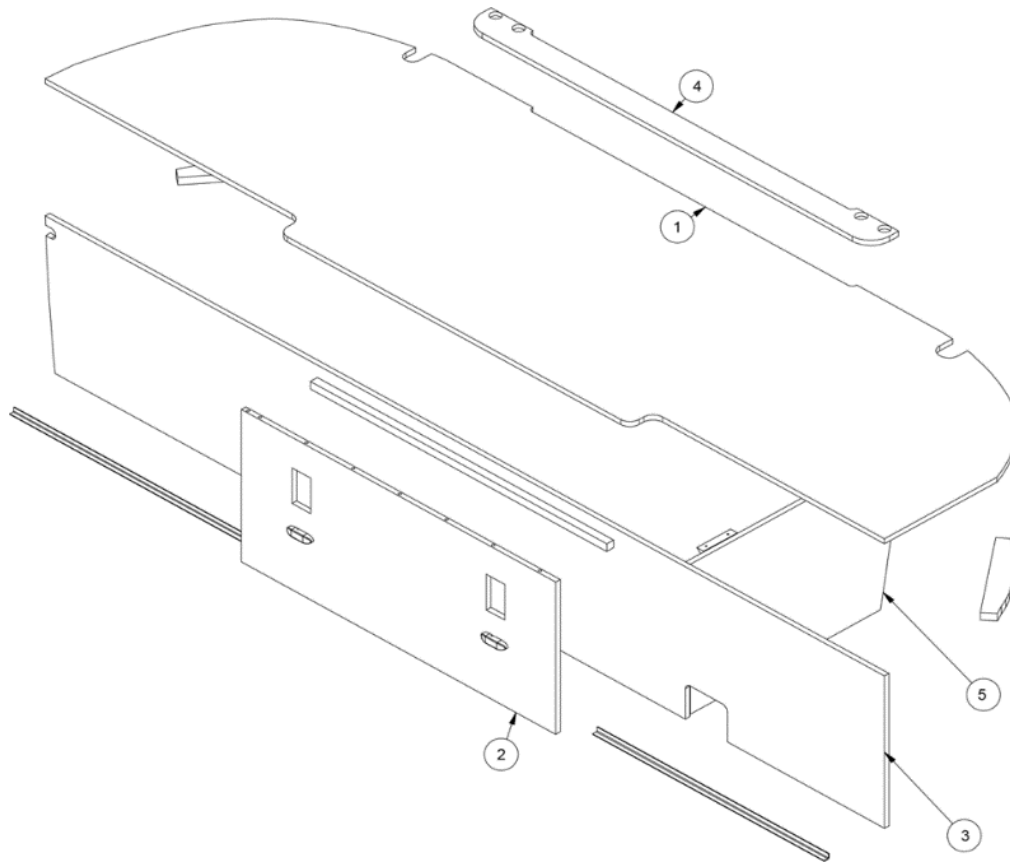
968480

Trunk Storage

- | | |
|--------------------|-----------------------------------|
| 1. 968480&000112BE | Panel-Prelam 28.70 X 67.00 |
| 2. 968480&000212BE | Panel-Prelam 15.13 X 67.00, 30' |
| 968480&001112BE | Panel-Prelam 67.00 X 15.13, 33FB |
| 3. 968480&000312BE | Panel-Prelam 15.13 X 26.75 |
| 4. 968480&000412BE | Panel-Prelam 15.13 X 26.75 |
| 5. 968480&000512BE | Panel-Prelam 3.00 X 43.63 |
| 6. 203798 | Hinge cover, Project 2000 bed |
| 203964 | Trunk storage lid |
| 101134 | Aluminum angle, 1 x 1.5 |
| 382057 | Knockdown, 8mm |
| 701538 | Carpet, Econoliner, Gray |
| 382057-03 | Cap cover, Dark Brown |
| 365386-01 | Edgebanding, Linen, 5/8" |
| 802612-01 | Edgebanding, Planked coffee, 5/8" |
| 382057-04 | Cap-Knockdown Wht #16387 |

FURNITURE, BEDROOM

Trunk Storage, Queen, 33FB



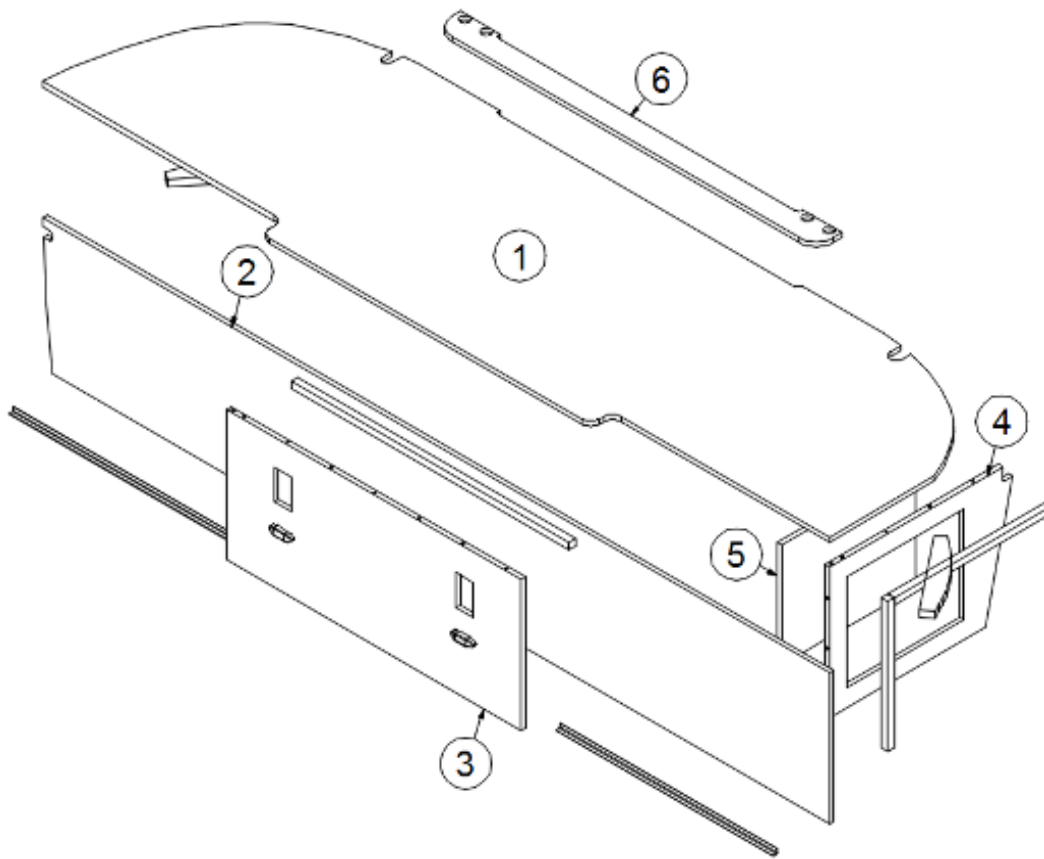
968879

Assembly Trunk Storage Box, 33'

- | | |
|--------------------|-------------------------------------|
| 1. 968879&000112BE | Panel, 26.00 X 90.63 |
| 2. 968879&000212BE | Panel, 15.00 X 37.96 |
| 3. 968879&000412BE | Panel, 15.00 X 90.63 |
| 4. 968879&000612BE | Panel, 3.00 X 44.00 |
| 5. 801352 | Panel, 22.68 x 14.75 x 0.5" |
| 382057-03 | Cover Cap, Knockdown Fastener Brown |
| 382057-04 | Cap-Knockdown Wht #16387 |
| 365386-01 | Edgebanding, Linen, 5/8" |
| 802612-01 | Edgebanding, Planked coffee, 5/8" |
| 512840 | Courtesy Light Wall |
| 386279 | Corner Brace |
| 701538-01 | Carpet, Charcoal Grey |
| 114811 | Aluminum Angle |

FURNITURE, BEDROOM

Trunk Storage, Twin, 30RB



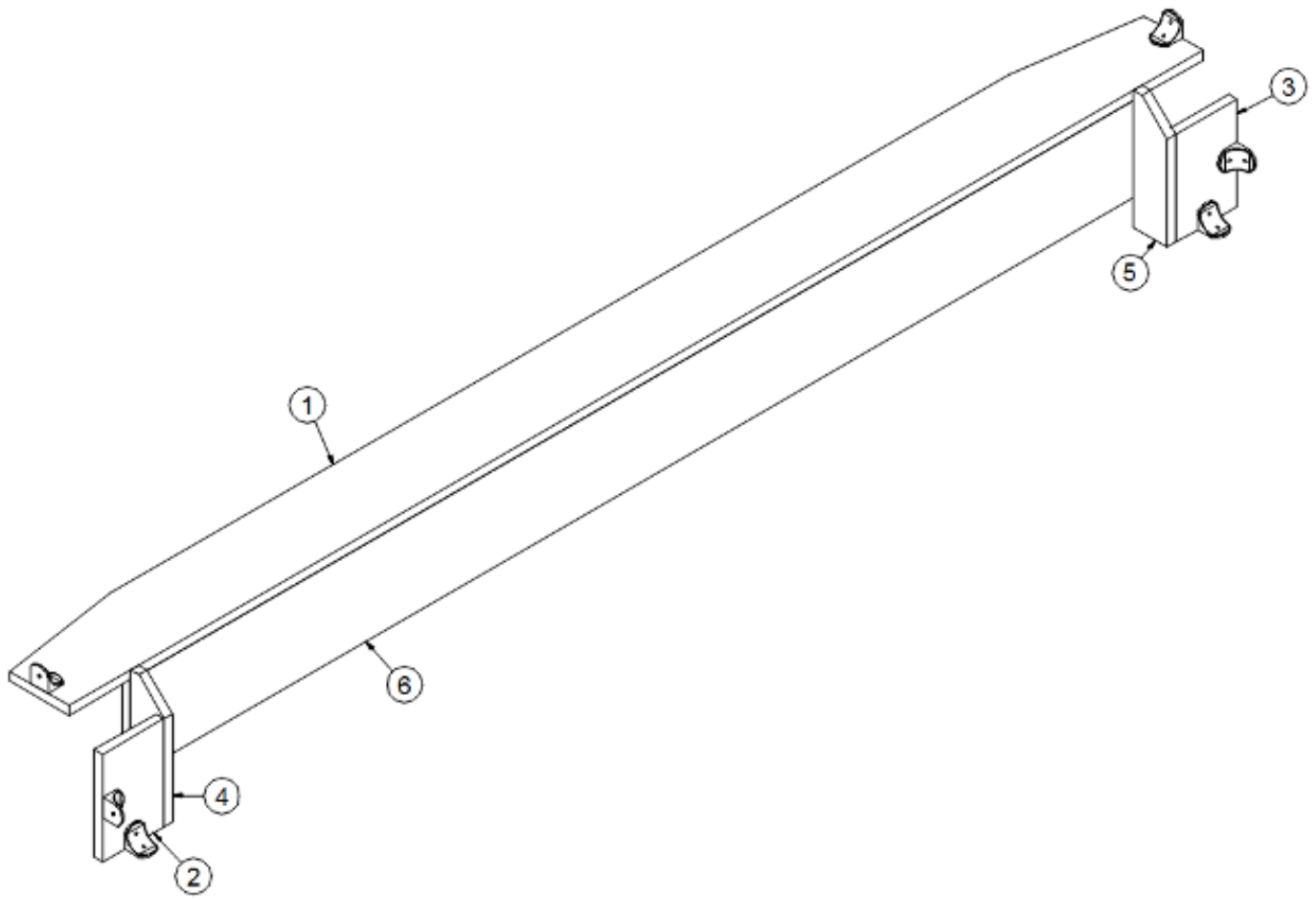
968430

Trunk Storage Box, 30'

1. 968430&000112BE	Pre laminate, 26 x 90.63"
2. 968430&000212BE	Pre laminate, 15 x 90.63"
3. 968430&000312BE	Pre laminate, 15 x 37.96"
4. 968430&000412BE	Pre laminate, 15 x 21.5"
5. 968430&000512BE	Pre laminate, 12 x 15.5"
6. 968430&001512BE	Pre laminate, 3 x 44"
512840	Courtesy light, Black
114811	Aluminum angle, .5 x .5
386279	Corner brace, 3.5 x .75 x .75
380041	Brace, 1" Stanley corner
701538-01	Carpet, Charcoal Gray
382057-03	Cap cover, Dark Brown
802612-01	Edgebanding, Planked coffee, 5/8"
365386-01	Edgebanding, Linen, 5/8"

FURNITURE, BEDROOM

Convactor Cover, Bedroom



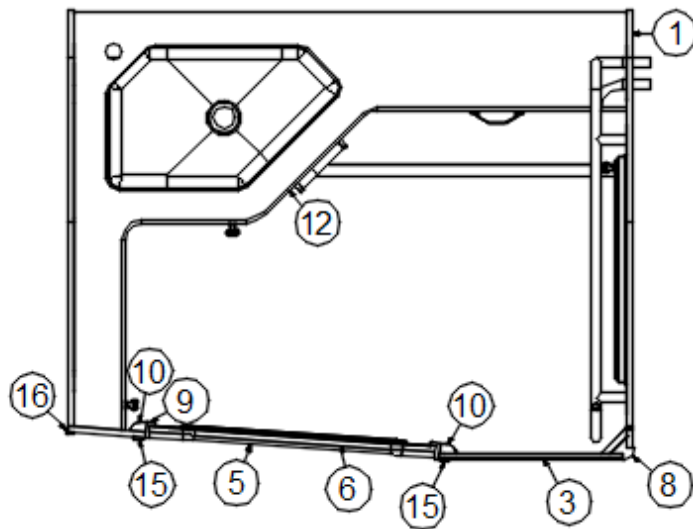
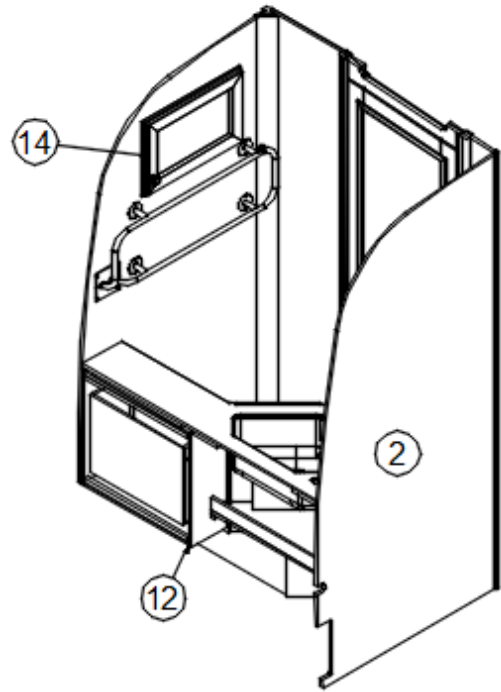
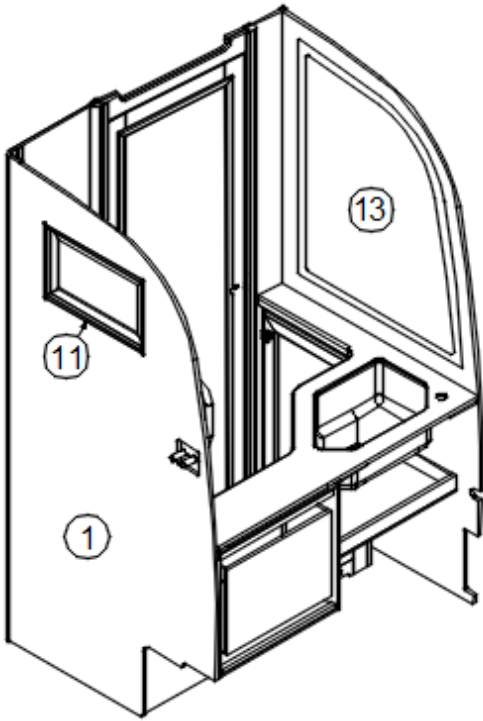
968415-01

Bedroom Convactor Cover

- | | |
|-------------|--------------------------------------|
| 1. 968415-1 | Panel, 4.5 x 67 |
| 2. 968415-2 | Panel, 5.5 x 3.63 |
| 3. 968415-3 | Panel, 5.5 x 3.63 |
| 4. 968415-4 | Panel, 7 x 2 |
| 5. 968415-5 | Panel, 7 x 2 |
| 6. 968415-6 | Panel, 5 x 59.75 |
| 385963 | Bracket, Mounting angle |
| 700414 | Foam |
| 704723 | Fabric-UL Brisa Ash, Earl Grey |
| 704724 | Fabric-UF Brisa Shiitake, Café Latte |

FURNITURE, LAVATORY

Bath Module, 30RB



Parts Listed on Next Page

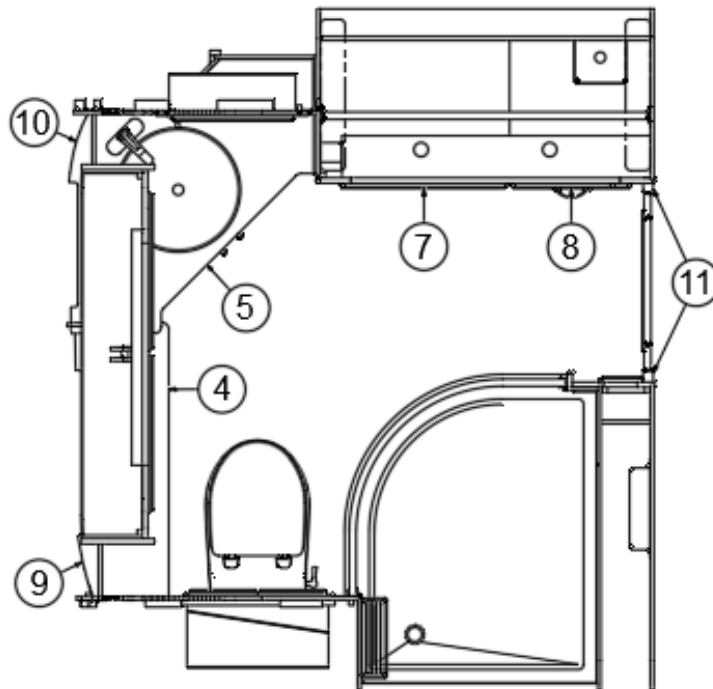
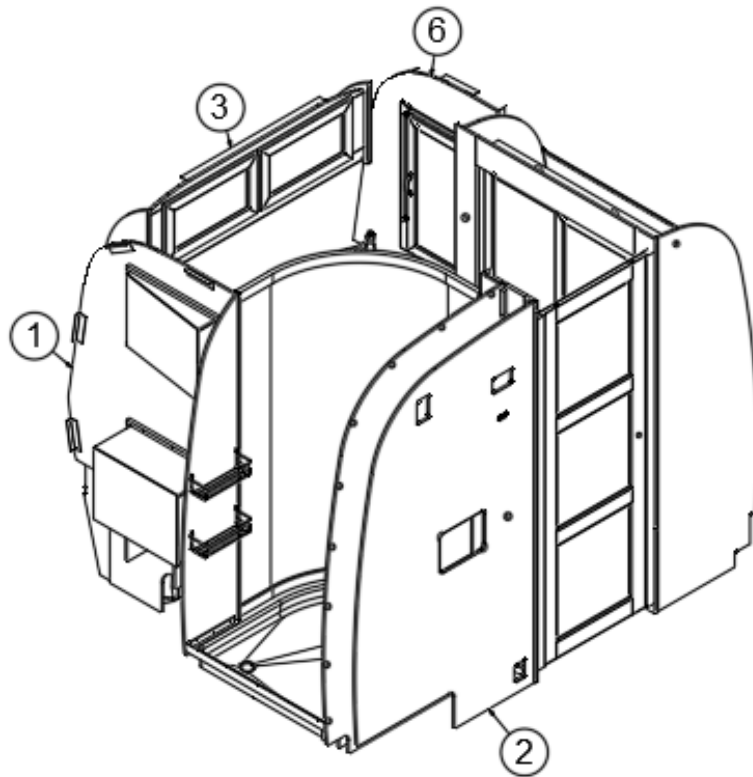
FURNITURE, LAVATORY

Bath Module, 30RB

112318-01	Install, Bathroom Module, Queen
112318-02	Install, Bathroom Module, Twin
1. 112318&004912BB	Pre laminate, 39.08 x 78.63"
2. 112318&005012BH	Pre laminate, Queen, 37.17 x 78.86"
112318&005112BH	Pre laminate, Twin, 37.17 x 78.86"
3. 112318&010312BB	Panel, 16.50 X 79.41
4. 112318&010412BB	Panel, 6.89 X 79.32
5. 112318&010512BB	Panel, 25.38 X 3.40
6. 112318&010612BB	Panel, 25.38 X 3.38
7. 112318&010712BE	Panel, 3.25 X 79.39
8. 801415-WH	Corner trim, 1" Radius, Linen
801415-1010	Corner trim, 1" Radius, Planked coffee
9. 801665-1002	Molding-Door Jamb Linen
801665-1010	Molding, Door jamb, Planked coffee
10. 801977-1002	Corner Trim Bathroom Linen
801977-1010	Corner trim, Bathroom, Planked coffee
11. 802485-1002	Door frame Fwd Bath Wall Linen
802485-1010	Door frame, Forward bath wall, Planked coffee
12. 968420	Lavy cabinet
13. 371440-01	Mirror, Contoured
14. 802462-161002	Door-20.00 X 13.00 Shaker Linen
802613-301010	Door, Planked coffee, 20 x 13"
15. 800573-1002	Molding-Door Edge Flat Linen
800573-1010	Molding, Door edge, Planked coffee
16. 801997-1002	Trim, Outside corner, Linen, .75"
801997-1010	Trim, Outside corner, Planked coffee, .75"
382238	Hinge, Compact
381228-02	Catch, Grabber door, 5LB
386404-01	Pull, Satin nickel
386404-02	Pull-Matte Gold
382295	Track, Straight, Gray
454614	Strike plate
602518	Supply adapter assembly
455092	Cover plate, Towel bar, Stainless Steel
602632	Flow controller w/Off switch
382732	Hook-Robe Brushed Bronze
382732-02	Robe hook, Satin nickel
969343	Assy-Bath Door Mirror

FURNITURE, LAVATORY

Bath Module, 33FB



Parts Listed on Next Page

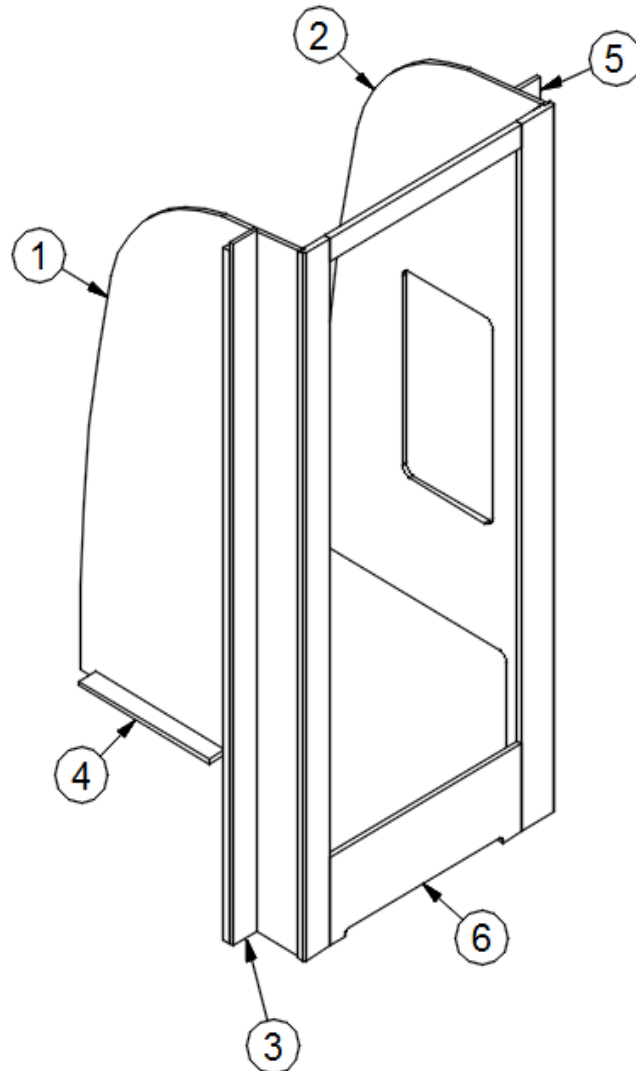
FURNITURE, LAVATORY

Bath Module, 33FB

112450-01	Bath Module
1. 968540	CS Bath wall Storage
2. 112992-01	Shower wall
3. 969322	Lavatory locker
4. 968550	Lavatory Credenza
5. 968544	Lavatory cabinet
6. 968541	Medicine cabinet
7. 968867	Wardrobe, Left
8. 968868-01	Wardrobe, Right
9. 112450&002706BE	Pnl-Prelam 4.38 X 38.42
10. 112450&002806BE	Pnl-Prelam 4.25 X 29.72
11. 802227-1002	Molding-Bath Door Linen
802227-1010	Molding, Bath door, Planked coffee
802249-1002	Header-Bath Door Linen
802249-1010	Header, Bath door, Planked coffee
802260-1002	Button-3/8" White
802260-1010	Button, Planked coffee, 3/8"
968573	Shower stand
203919	Shower pan, Curved fiberglass
602633	Curved glass shower door
969343-01	Assy-Bath Door Mirror
454614	Strike plate
382043	Rack, Multi-purpose, Chrome
602659	Toilet, Macerator
513119	Track, Luna light, 96"
513072	LED light, Luna, Diffused, 68"
455092	Cover plate, Heated towel
602632	Flow controller w/Off switch

FURNITURE, LAVATORY

Shower Compartment, 30RB



968148

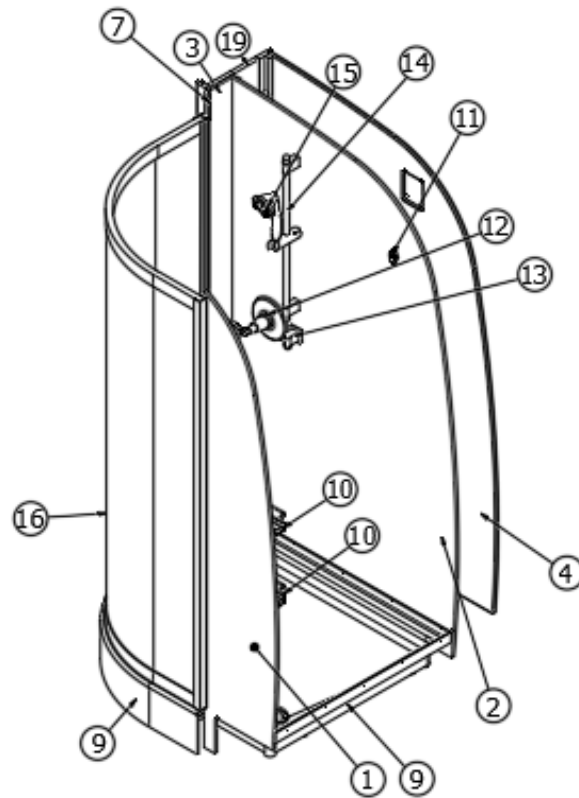
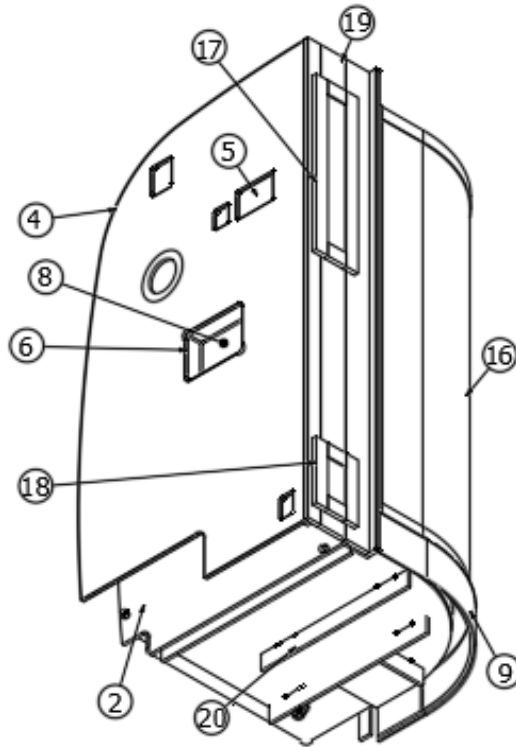
Shower Compartment

- 1. 968148&001512BE
- 2. 968148&001612BE
- 3. 968148&000312BE
- 4. 968148&000412BE
- 5. 968148&000512BE
- 6. 801970-1002
- 801970-1010
- 381610-02
- 381610-01
- 203081-02
- 703989-01

- Pre laminate, 30.3 x 78.37
- Pre laminate, 30.3 x 78.37
- Pnl-Prelam 3.19 X 78.03
- Pnl-Prelam 2.25 X 17.50
- Pnl-Prelam 3.50 X 77.50
- Face Frame-Shower, Linen
- Face frame, Shower, Planked coffee
- Cover cap, Plastic, Brown
- Cover Cap, White
- Shower Stall-2-piece Fiberglass
- Shower Door, Adjustable, Reeded glass

FURNITURE, LAVATORY

Shower Install, 33FB



Parts Listed on Next Page

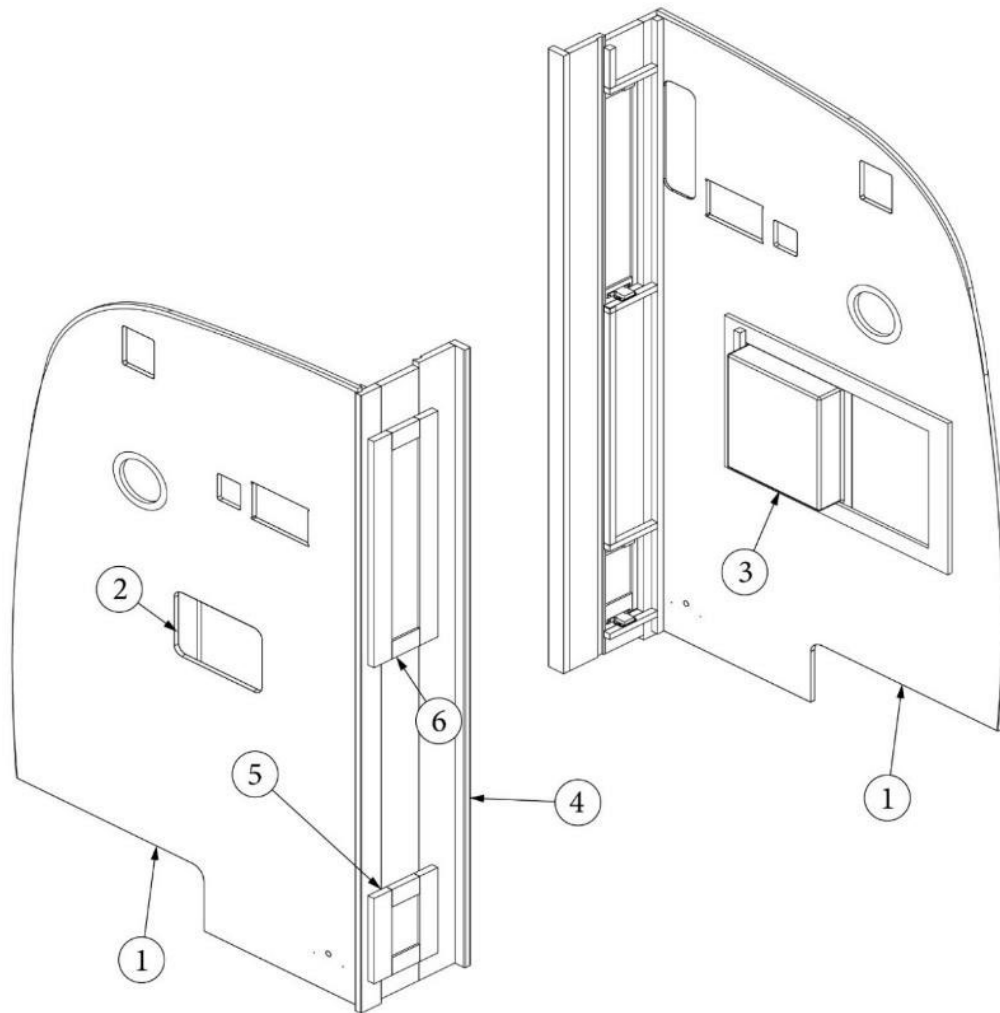
FURNITURE, LAVATORY

Shower Install, 33FB

112992-01	Shower Install
1. 112992&004312FC	Pre laminate, 13.69 x 75.08"
2. 112992&004412FC	Pre laminate, 43.3 x 79.25"
3. 112992&000312FC	Panel-Prelam, 4.40 x 78.95"
4. 969617-01	Sub Assy, Forward shower wall
5. 112992&000512BE	Panel, 6.88 X 14.00
6. 203445-01	T-Molding - .5625" White
203445-07	T-molding, Ash grey, 9/16"
7. 115134	Extr-Laminate Trim 120"
8. 203383	Rack-Magazine ABS
9. 203919	Pan-Shower-Fiberglass Curved
10. 382043	Rack - Multi Purpose Chrome
11. 382063	Clothesline-Retractable
12. 602640-01	Valve, Trim Kit, Alteo, Brushed Nickel (Shower)
13. 602404	Elbow-Wall Mount Supply Br Nickel
14. 602405	Slidebar-24" Shower
15. 602675	Shower Head Oxygenics, Brushed Nickel
602403	Hose-60" Ribbon Br Nickel (Shower)
602518	Supply Adapter Assy
16. 602633	Door Assy-Shower Curved Glass 67.75"
17. 802462-011002	Door-8.00 X 29.13 Shaker Linen
802613-151010	Door, Planked coffee, 8 x 29.13"
18. 802462-021002	Door-8.00 X 11.00 Shaker Linen
802613-161010	Door, Planked coffee, 8 x 11"
19. 802200-1002	Face Frame-Hallway Shower Linen
802200-1010	Face frame, Hall, Planked coffee
20. 968573	Shower Stand - 33 CLA
381228-02	Catch, Grabber door, 5LB
382057	Knockdown fasteners
513072	Light-Luna Diff.Led 68"W/12"Tail
513119	Track-Luna Lighting 96"
600594-01	Drain-Sink W/Wht Rubber Stop

FURNITURE, LAVATORY

Forward Shower Wall, 33FB



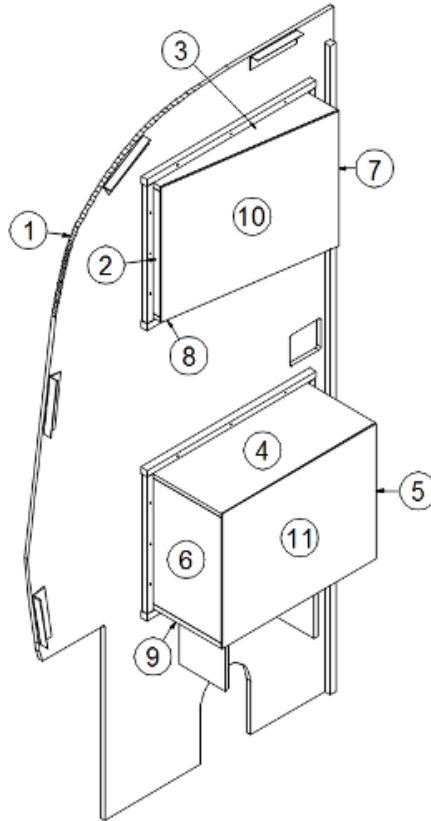
969617-01

Assy, Forward Shower Wall

- | | |
|------------------|--|
| 1. 802632-1002 | Sub assy, Forward shower panel, Linen |
| 802632-1010 | Sub assy, Forward shower panel, Planked coffee |
| 2. 203445-01 | T-trim, white |
| 203445-07 | T-trim, Ash grey |
| 3. 203383 | Magazine rack, Plastic |
| 4. 802200-1002 | Face frame, Hallway shower, Linen |
| 802200-1010 | Face frame, Hallway shower, Planked coffee |
| 5. 802462-011002 | Door, Shaker, Linen, 8 x 11" |
| 802613-161010 | Door, Shaker, Planked coffee, 8 x 11" |
| 6. 802462-021002 | Door, Shaker, Linen, 8 x 29.13" |
| 802613-151010 | Door, Shaker, Planked coffee, 8 x 29.13" |
| 381228-02 | Catch grabber, 5lb |

FURNITURE, LAVATORY

Bath Wall Storage, CS, 33FB



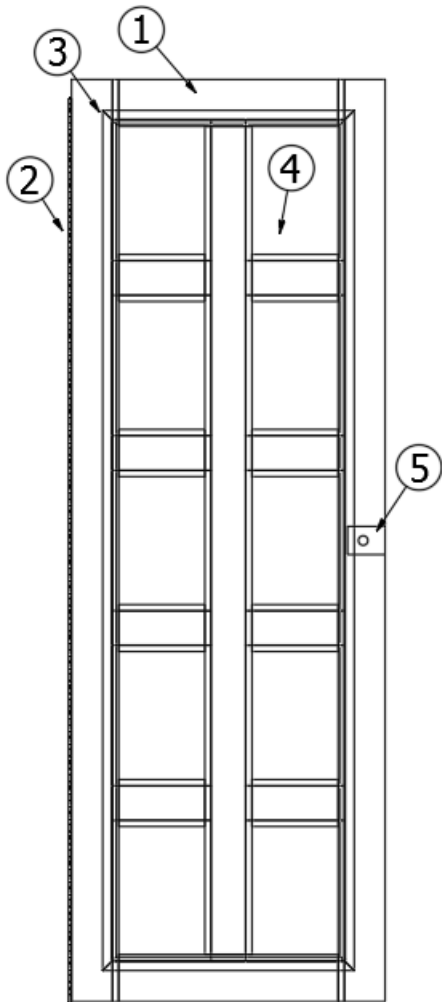
968540

CS Bath Wall Storage

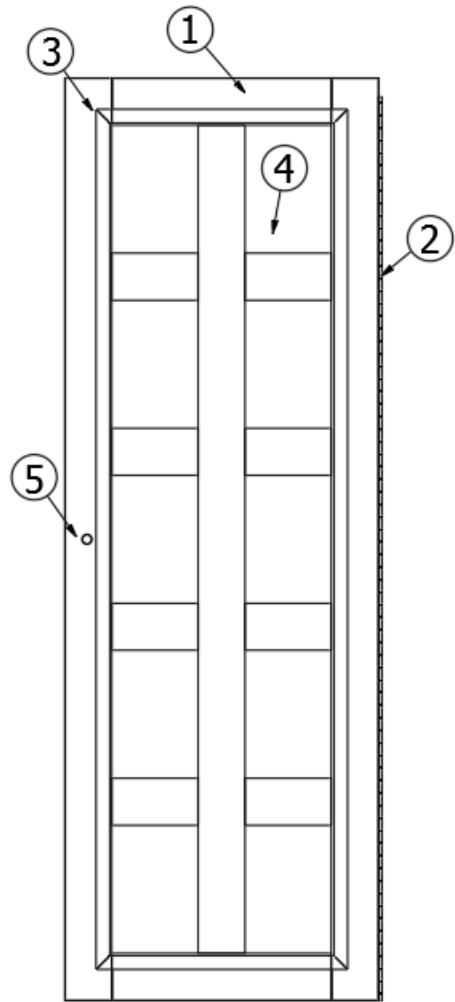
1. 968540&000112BE	Panel-Prelam 48.00 X 96.00
2. 968540&000212BE	Panel-Prelam 2.25 X 14.00
3. 968540&000312BE	Panel-Prelam 5.06 X 20.13
4. 968540&000412BE	Panel-Prelam 10.00 X 20.13
5. 968540&000512BE	Panel-Prelam 10.00 X 14.00
6. 968540&001012BE	Panel-Prelam 10.00 X 14.00
7. 968540&000712BE	Panel-Prelam 5.00 X 14.00
8. 968540&000812BE	Panel-Prelam 5.06 X 20.13
9. 968540&000912BE	Panel-Prelam 10.00 X 20.13
10. 968540&000603CE	Panel-Prelam 15.00 X 20.38
11. 968540&001103CE	Panel-Prelam 15.00 X 20.13
968540&002312BE	Panel-Prelam 8.50 X 6.00
802484-1002	Door Frame-CS Bath Cab Shaker Linen
802484-1010	Door Frame, CS Bath Cab, Shaker, Planked coffee
802462-031002	Door-9.75 X 14.50 Shaker Linen
802613-171010	Door, Shaker, Planked coffee, 9.69 x 14.5"
386404-01	Pull, Satin nickel
386404-02	Pull-Matte Gold
114813	Alum. Angle .060 X 1.00 X 1.50
382735	Clip-Restriction Blum Compact 86 Degree

FURNITURE, LAVATORY

Lavatory Door



(-01)
33FB CLASSIC



(BASE)
30 CLASSIC

Parts Listed on Next Page

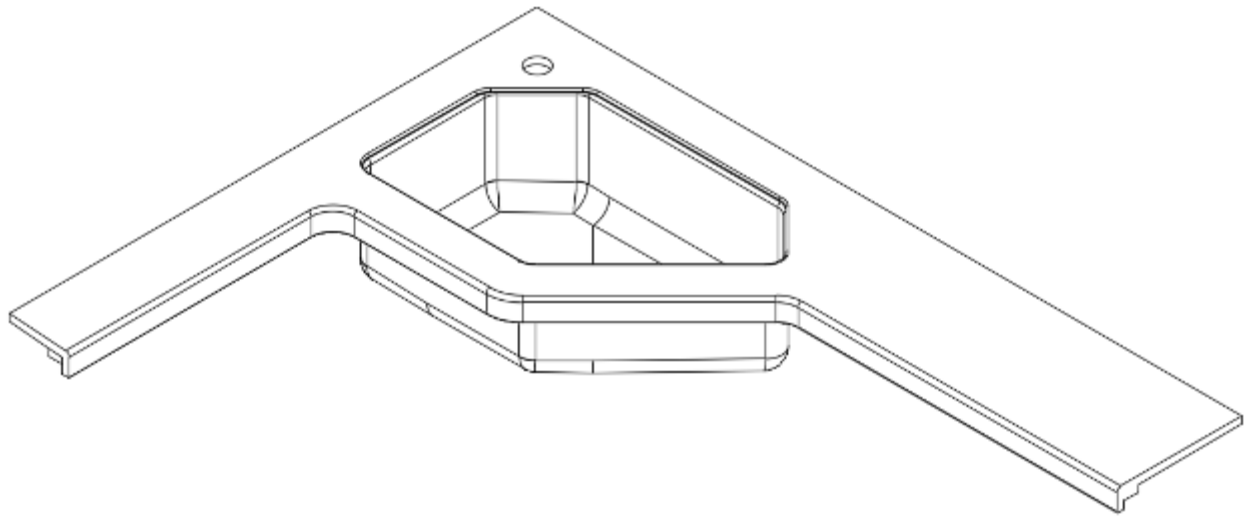
FURNITURE, LAVATORY

Lavatory Door

969343	Assy-Bath Door Mirror, 30'
969343-01	Assy-Bath Door Mirror, 33'
1. 802474-1002	Door-Bath Shaker Style Linen
802614-1010	Door, Bath, Shaker, Planked coffee
2. 380203-01	Piano Hinge 1/8" Pin Clr Anodized
3. 802494-1002	Trim-Bath Door Mirror
802494-1010	Trim, Bath door Mirror, Planked coffee
4. 371443	Mirror-18.63 X 67.13 Bath Door
5. 382244	Latch Kit- Bath Door
382244-01	Door handle, Right, Never nickel
382244-02	Door handle, Left, Never nickel
382244-03	Rosette, Never nickel
382244-04	Spindle
382244-05	Cover, Never nickel
382244-06	Door latch, Matte nickel
382244-07	Striker plate, Matte nickel

FURNITURE, LAVATORY

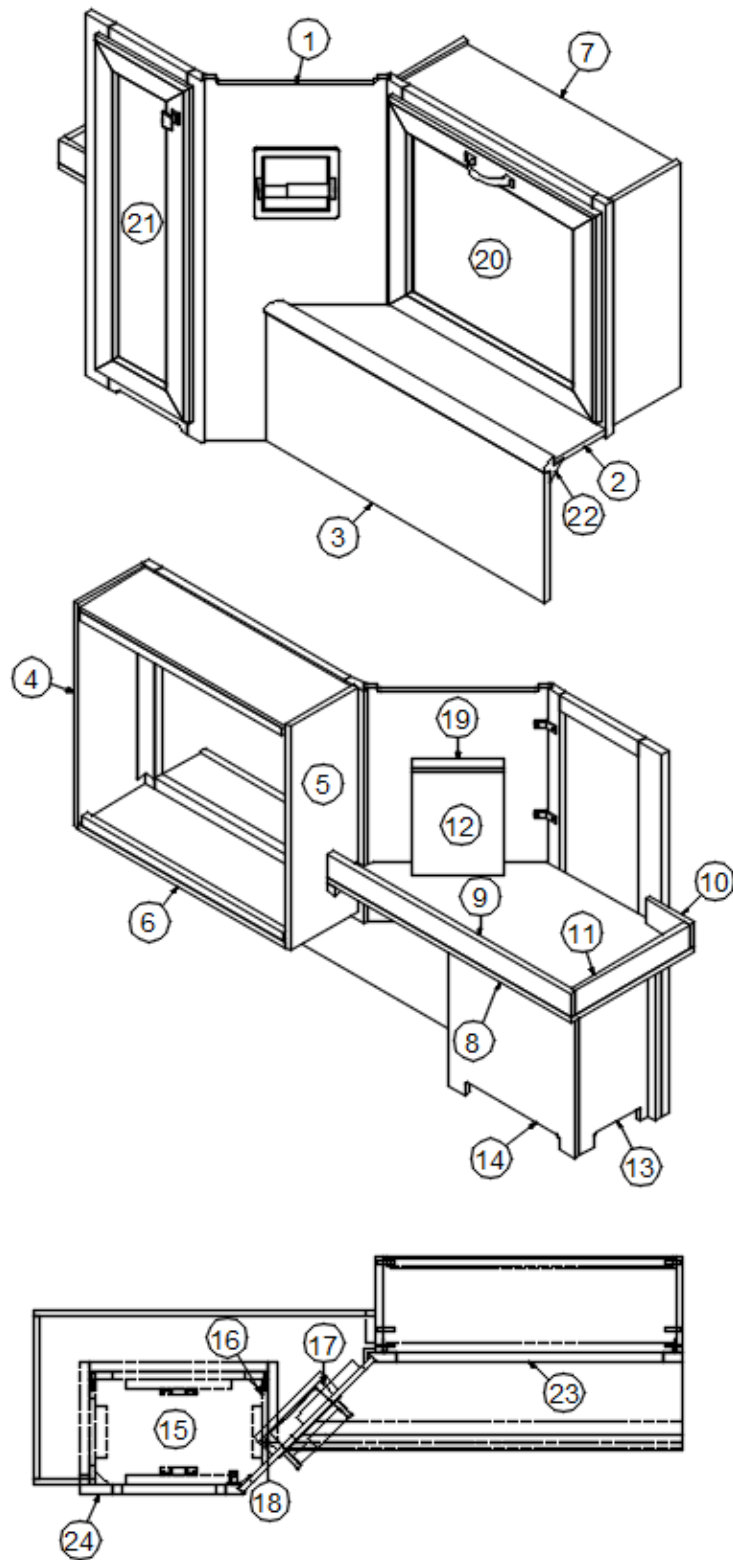
Lavatory Top, 30RB



968158	Lavatory Top
602385-03	Lavy Top Corian Cosmos Prima
602385-04	Lavy top, Corian, Limestone
203790	Sink, Undermount, Fiberglass
602813-01	Faucet, Moen Align, Chrome
381635	Sink clip, Undermount
601813	Tail piece, Lift and turn drain

FURNITURE, LAVATORY

Lavatory Cabinet, Forward Section, 30RB



Parts Listed on Next Page

FURNITURE, LAVATORY

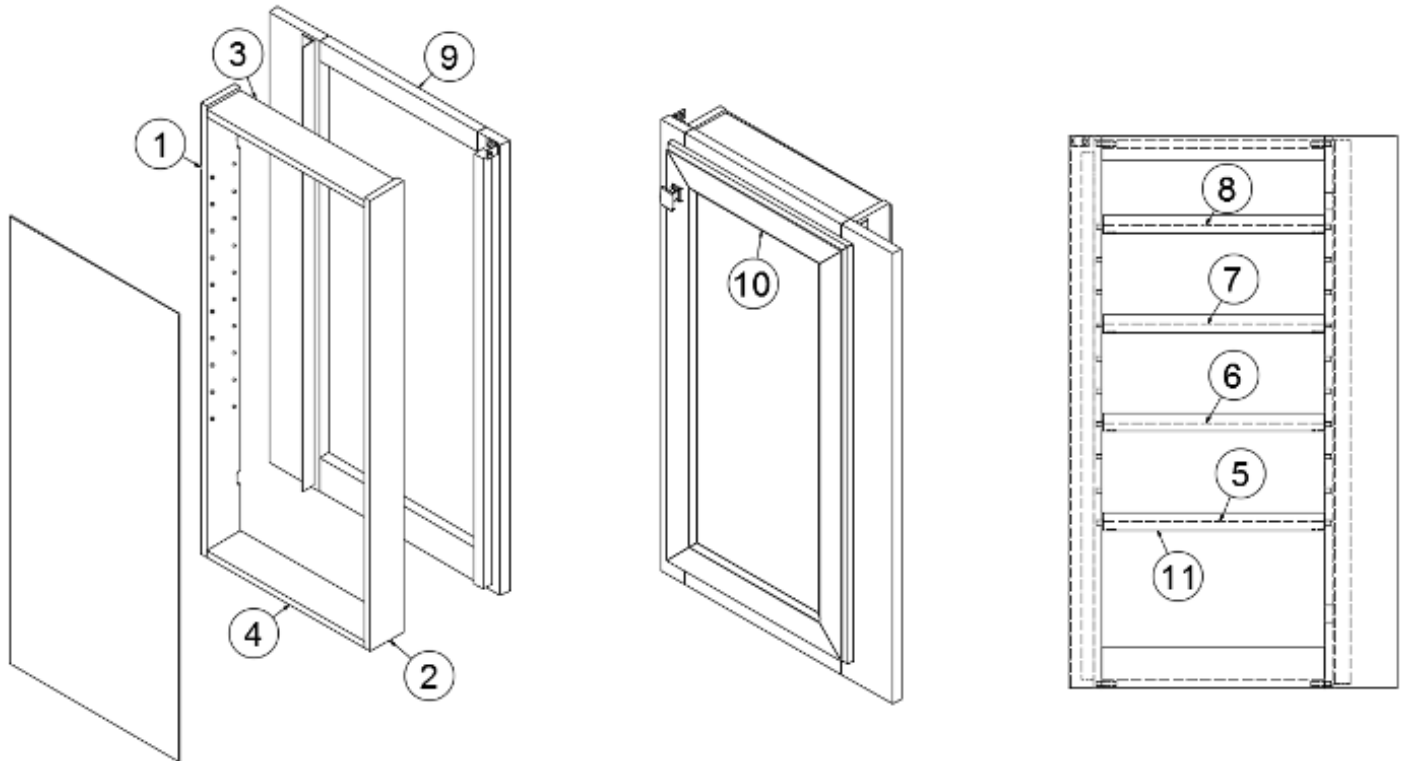
Lavatory Cabinet, Forward Section, 30RB

968464 Forward Lavy Cabinet

- | | |
|---------------------|---|
| 1. 968464&000112BB | Panel-Prelam 14.13 X 33.50 |
| 2. 968464&000212BE | Panel-Prelam 28.82 X 5.50 |
| 3. 968464&000312BE | Panel-Prelam 29.81 X 11.89 |
| 4. 968464&000412BE | Panel-Prelam 7.25 X 20.75 |
| 5. 968464&000512BB | Panel-Prelam 7.25 X 20.75 |
| 6. 968464&000612BE | Panel-Prelam 7.25 X 22.13 |
| 7. 968464&000712BE | Panel-Prelam 7.25 X 22.13 |
| 8. 968464&000812BB | Panel-Prelam 26.13 X 13.25 |
| 9. 968464&000912BE | Panel-Prelam 26.13 X 2.25 |
| 10. 968464&001012BE | Panel-Prelam 5.00 X 2.25 |
| 11. 968464&001112BE | Panel-Prelam 12.25 X 2.25 |
| 12. 968464&001212BE | Panel-Prelam 7.00 X 9.50 |
| 13. 968464&001312BE | Panel-Prelam 8.00 X 17.00 |
| 14. 968464&001412BE | Panel-Prelam 13.50 X 17.00 |
| 15. 968464&001512BE | Panel-Prelam 8.00 X 12.50 |
| 16. 968464&001612BE | Panel-Prelam 6.48 X 15.75 |
| 17. 968464&001712BE | Panel-Prelam 1.38 X 9.00 |
| 18. 968464&001812BE | Panel-Prelam 1.38 X 9.00 |
| 19. 968464&002012BE | Panel-Prelam 7.00 X 1.38 |
| 20. 802462-181002 | Door-22.13 X 19.25 Shaker Linen |
| 802613-321010 | Door face, Planked coffee, 22.13 x 19.25" |
| 21. 802462-171002 | Door-10.00 X 31.00 Shaker Linen |
| 802613-311010 | Door face, Planked coffee, 10 x 31" |
| 22. 801415-WH | Corner trim, 1" radius, Linen |
| 23. 801980-1002 | Face Frame-Lavy Fwd |
| 801980-1010 | Face frame, Planked coffee |
| 24. 802122-1002 | Face Frame-Lavy-Mid Linen |
| 802122-1010 | Face framer, Lavy, Planked coffee |
| 968163 | Lavy storage box assembly |
| 382259 | Recessed toilet paper dispenser, Satin |
| 114812 | Aluminum angle, 1 x 1 |
| 386404-01 | Pull, Satin nickel |
| 386404-02 | Pull-Matte Gold |
| 382238 | Hinge, Compact |
| 380041 | Stanley corner brace, 1" |
| 365386-01 | Edgebanding, Linen, 5/8" |
| 802612-01 | Edgebanding, Planked coffee, 5/8" |

FURNITURE, LAVATORY

Lavatory Cabinet, Aft Section, 30RB



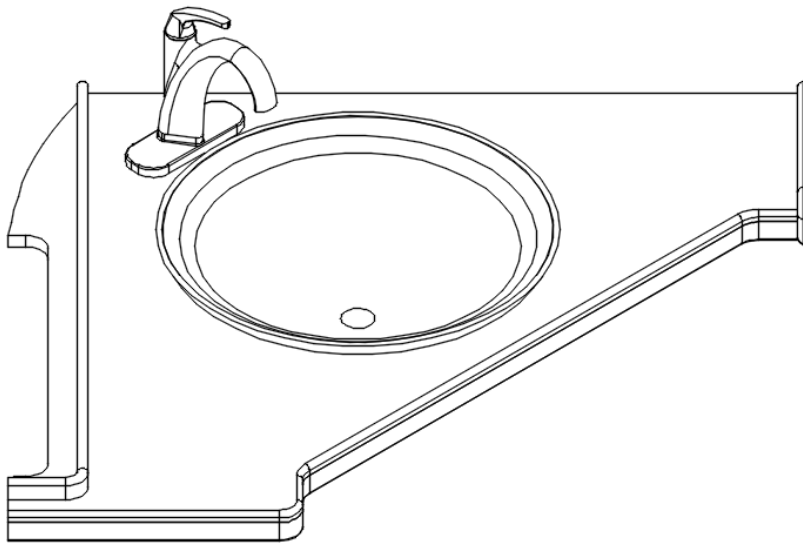
968159

Aft Lavy Cabinet

- | | |
|--------------------|---------------------------------------|
| 1. 968159&000112BE | Panel-Prelam 2.88 X 33.50 |
| 2. 968159&000212BE | Panel-Prelam 2.88 X 33.50 |
| 3. 968159&000312BE | Panel-Prelam 2.88 X 13.50 |
| 4. 968159&000412BE | Panel-Prelam 2.88 X 13.50 |
| 5. 968159&000512BB | Panel-Prelam 2.88 X 13.38 |
| 6. 968159&000612BB | Panel-Prelam 2.88 X 13.38 |
| 7. 968159&000712BB | Panel-Prelam 2.88 X 13.38 |
| 8. 968159&000812BB | Panel-Prelam 2.88 X 13.38 |
| 9. 801981-1002 | Face Frame-Lavy Aft |
| 801981-1010 | Face frame, Planked coffee |
| 10. 802462-191002 | Door-15.50 X 31.00 Shaker Linen |
| 802613-331010 | Door face, Planked coffee, 15.5 x 31" |
| 11. 800573-1002 | Molding-Door Edge Flat Linen |
| 800573-1010 | Molding, Door edge, Planked coffee |
| 382237 | Shelf support, Single slotted, SS |
| 382238 | Hinge, Compact |
| 381228-02 | Catch, Grabber door, 5LB |
| 386404-01 | Pull, Satin nickel |
| 386404-02 | Pull-Matte Gold |

FURNITURE, LAVATORY

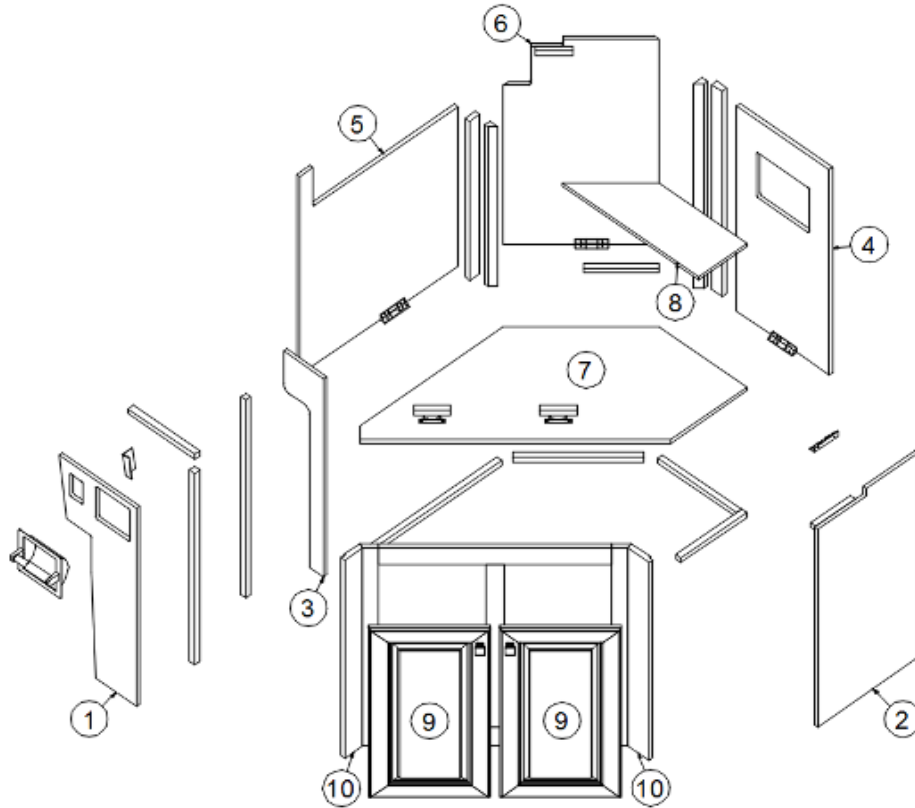
Lavatory Top, 33FB



968543-03	Lavatory Top Assembly
602441-01	Top-Lavy Corian Comos Prima, Linen
602441-02	Top, Lavy, Corian, Limestone
602440	Sink, Conical Bell, Vessel, Kohler
602439	Faucet, Lavy, Grohe, Concetto
381635	Sink clip, Undermount
602676	Drain, Pop-up, Brushed Nickel

FURNITURE, LAVATORY

Lavatory Cabinet, 33FB



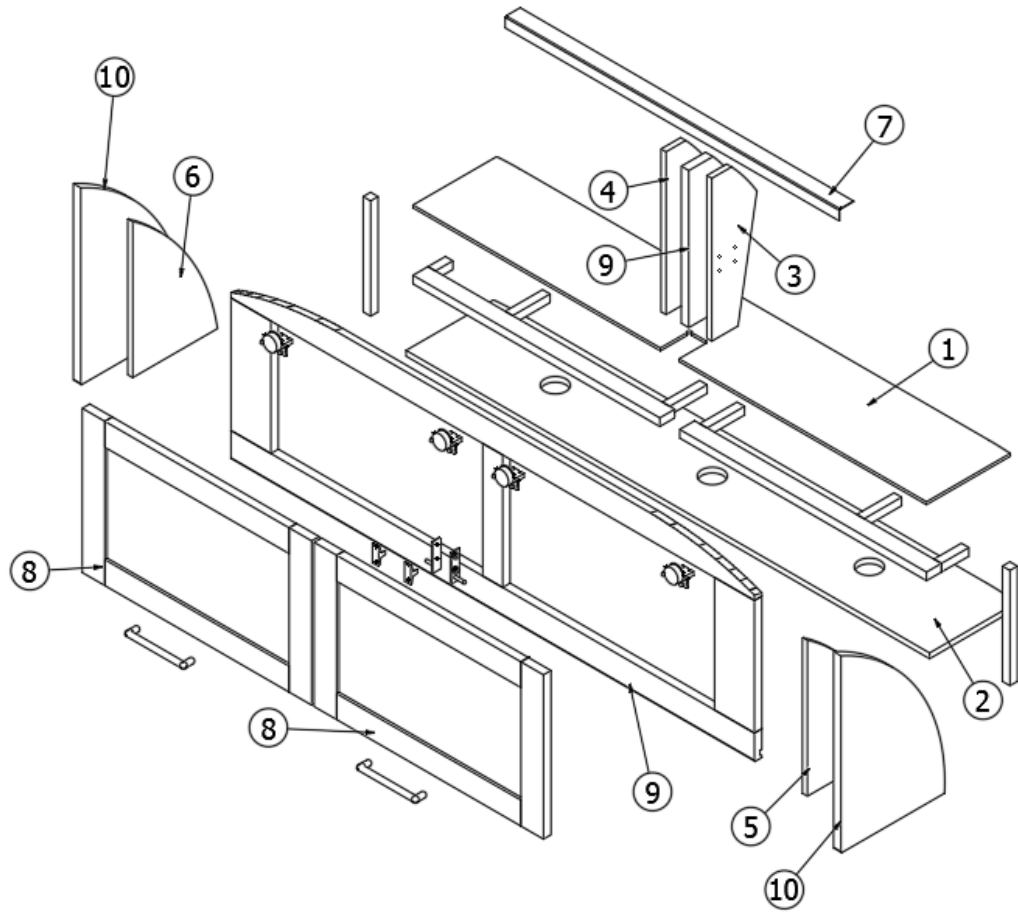
968544

Lavatory Cabinet

- | | |
|--------------------|--|
| 1. 968544&00012BE | Panel-Prelam 11.75 X 30.88 |
| 2. 968544&000212BB | Panel-Prelam 15.25 X 32.00 |
| 3. 968544&000312BE | Panel-Prelam 6.06 X 30.88 |
| 4. 968544&000412BE | Panel-Prelam 13.99 X 32.00 |
| 5. 968544&000512BE | Panel-Prelam 24.00 X 30.88 |
| 6. 968544&000612BE | Panel-Prelam 16.65 X 32.00 |
| 7. 968544&000712BE | Panel-Prelam 17.57 X 41.42 |
| 8. 968544&000812BE | Panel-Prelam 7.31 X 20.60 |
| 9. 802613-181010 | Door, Planked coffee, 13 x 26.88" |
| 802462-041002 | Door-13.00 X 26.88 Shaker Linen |
| 10. 802205-1002 | Face Frame-Lavy Cab Linen |
| 802205-1010 | Face frame, Planked coffee |
| 386404-01 | Pull, Satin nickel |
| 386404-02 | Pull-Matte Gold |
| 114813 | Aluminum angle, 1 x 1.5 |
| 381228 | Catch Grabber Door C3-810 |
| 382259 | Recessed toilet paper dispenser, Stainless Steel |
| 386279 | Corner brace |
| 382735 | Clip-Restriction Blum Compact 86 Degree |

FURNITURE, LAVATORY

Roof Locker, Lavatory, 33FB



Parts Listed on Next Page

FURNITURE, LAVATORY

Roof Locker, Lavatory, 33FB

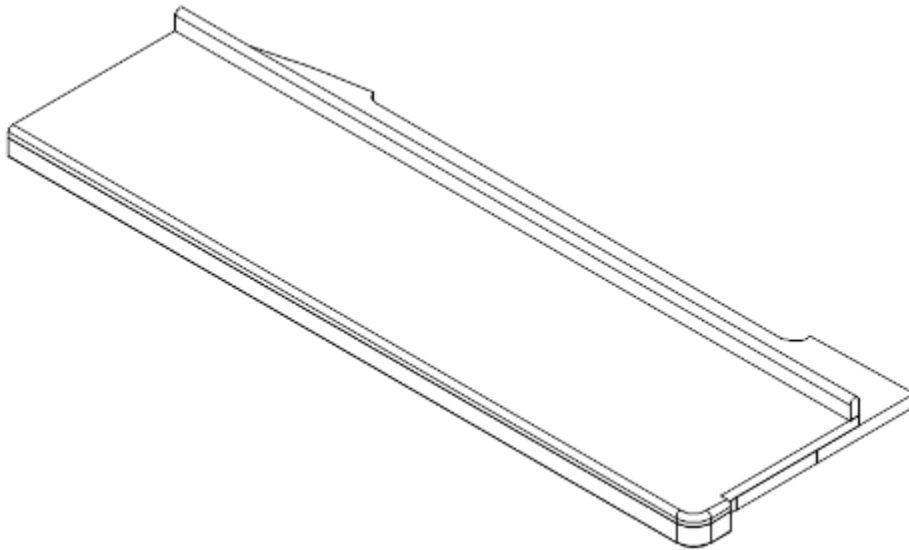
969322

Assy-Lavy Locker

- | | |
|--------------------|--|
| 1. 969322&000106BE | Pre Laminate- 0.25 X 8.50 X 51.50 |
| 2. 969322&000212BE | Pre Laminate- 0.50 X 8.93 X 52.50 |
| 3. 969322&000312BE | Pre Laminate- 0.50 X 4.63 X 14.13 |
| 4. 969322&000412BE | Pre Laminate- 0.50 X 4.63 X 14.13 |
| 5. 969322&000512BE | Pre Laminate- 0.50 X 8.50 X 13.53 |
| 6. 969322&000612BE | Pre Laminate- 0.50 X 8.50 X 13.53 |
| 7. 114813 | Alum. Angle .060 X 1.00 X 1.50 |
| 8. 802465-021002 | Door-Lckr 23.00x14.25 Shaker Style |
| 802613-391010 | Door, Locker, Planked coffee |
| 9. 802202-1002 | Face Frame-Lavy Overhead Linen |
| 802202-1010 | Face frame, Lavy locker, Planked coffee |
| 10. 802481-1002 | End Cap-Rear Bath Locker Linen |
| 802481-1010 | End cap, Lavy locker, Planked coffee |
| 386404-01 | Pull, Satin Nickel |
| 386404-02 | Pull-Matte Gold |
| 382238 | Hinge-Compact 39c Blum Steel Nickel Plated |
| 382466-02 | Brkt-Stay Lid Side #20K51E1 |
| 382466-03 | Brkt- Stay Lid Door #20K4101 |
| 382466-01 | Stay-Compt Door Lid #20K1501 |
| 365386-01 | Edgebanding, Linen, 5/8" |
| 802612-01 | Edgebanding, Planked coffee, 5/8" |

FURNITURE, LAVATORY

Credenza Top, 33FB

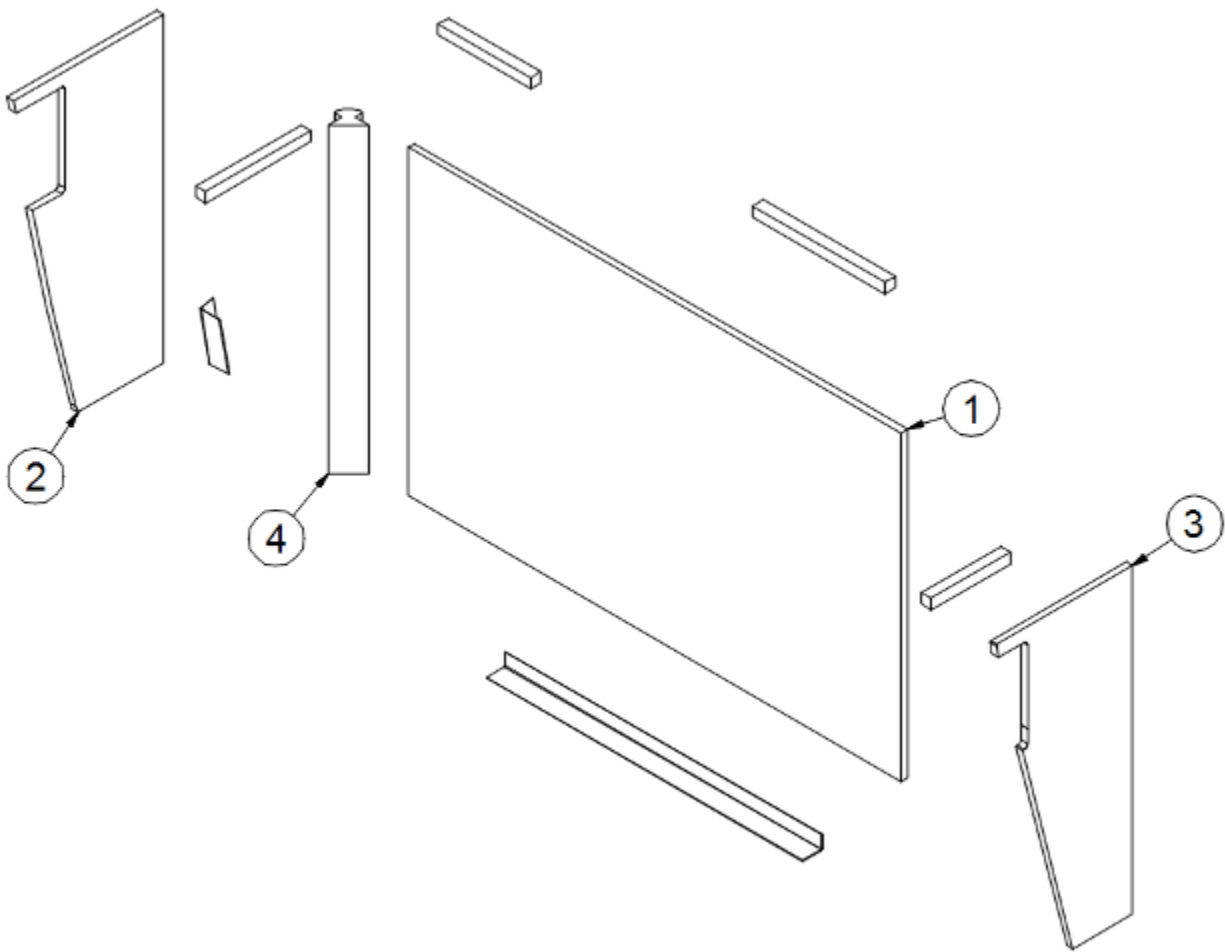


602682-03
602682-04

Top-Lavy Credenza Corian Cosmos Prima
Top, Lavy Credenza, Corian, Limestone

FURNITURE, LAVATORY

Credenza, 33FB



968550

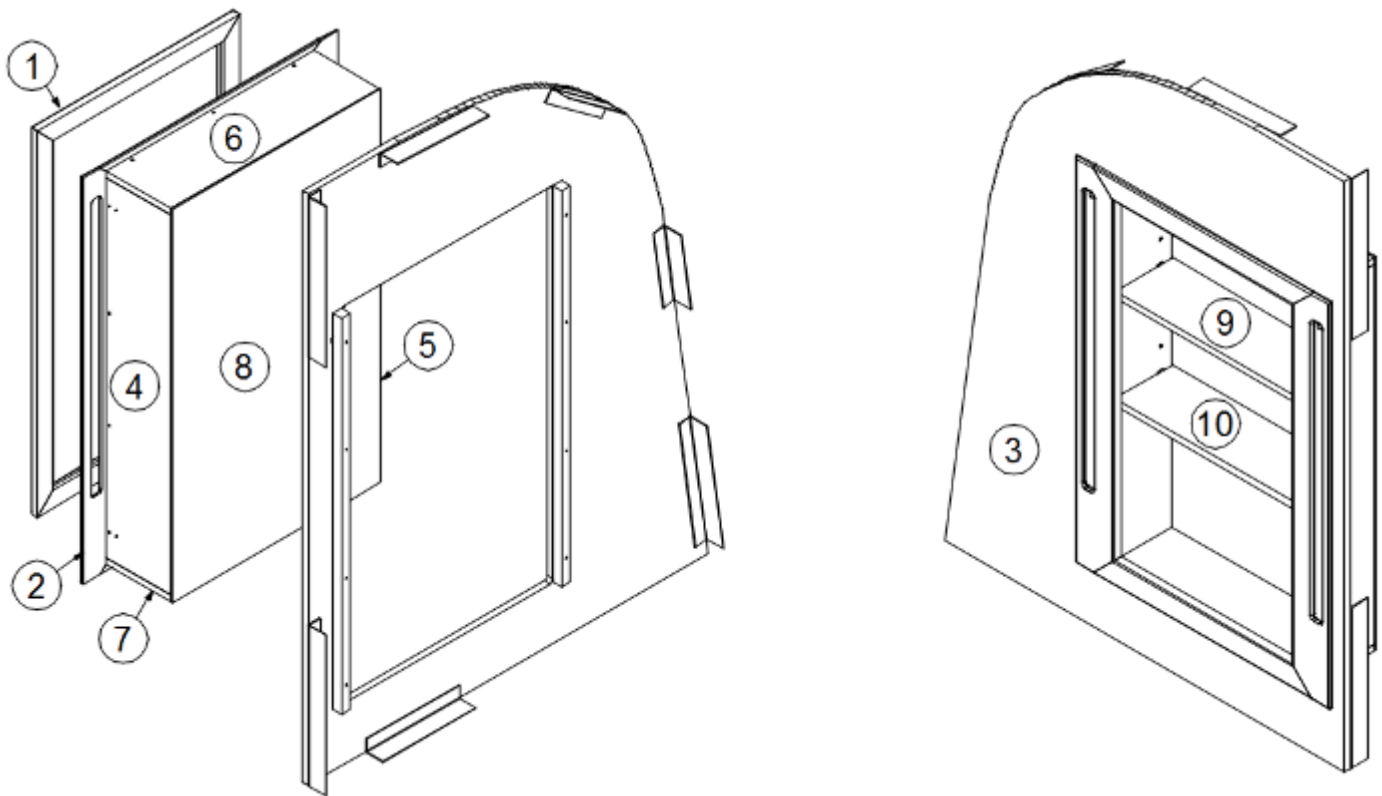
1. 968550&000112BB
2. 968550&000212BB
3. 968550&000312BB
4. 801415-WH
801415-1010
114813

Lavatory Credenza

- Panel-Prelam 22.88 X 37.43
- Panel-Prelam 22.88 X 12.50
- Panel-Prelam 11.00 X 22.88
- Corner Trim, 1" Radius, White
- Corner trim, 1" radius, Planked coffee
- Aluminum angle, 1 x 1.5

FURNITURE, LAVATORY

Medicine Cabinet, 33FB



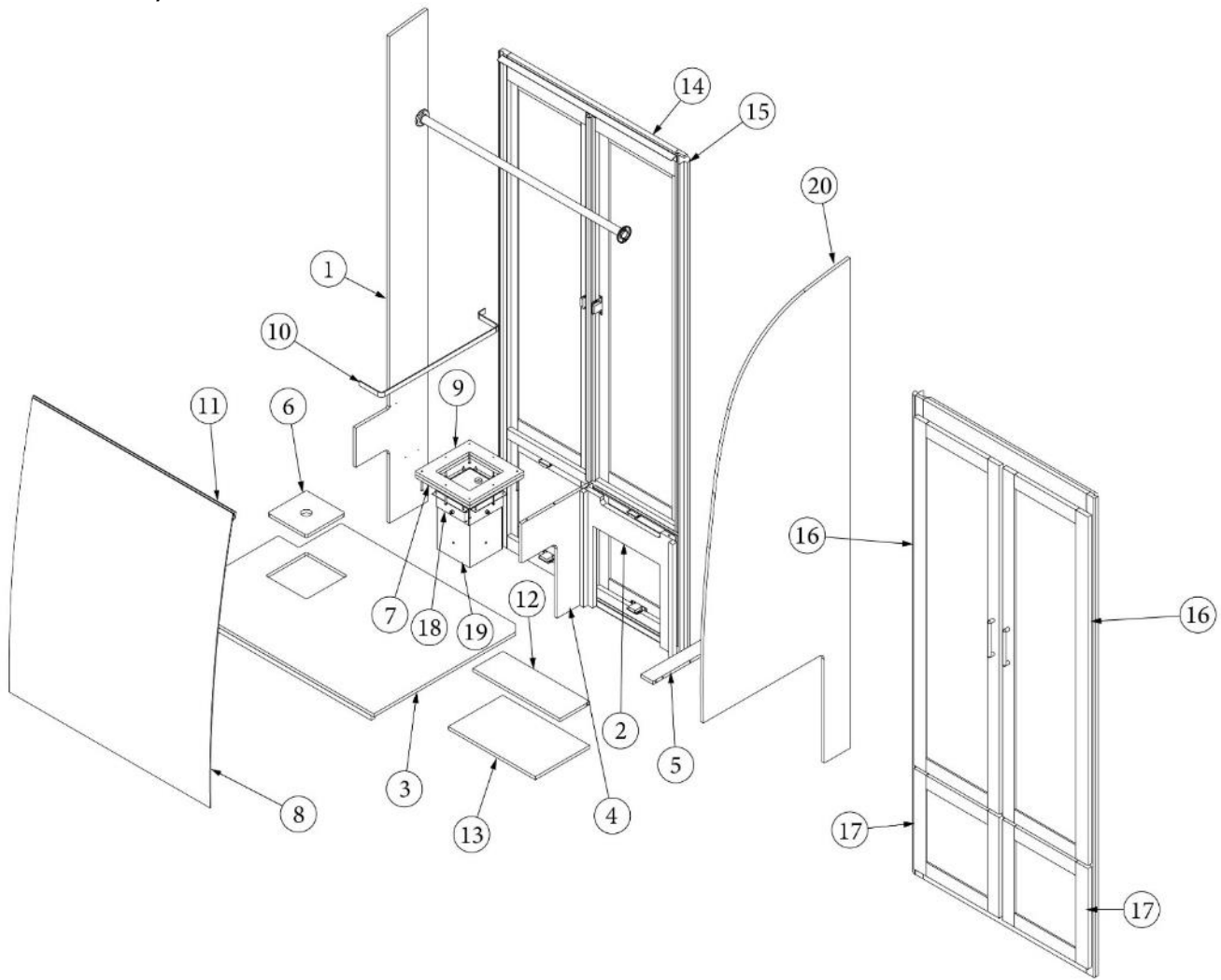
968541

Medicine Cabinet

- | | |
|--|--|
| 1. 968542 | Door, Mirrored |
| 2. 802486-1002
802486-1010 | Door-Med Cab Mirror Shaker Linen
Door, Medicine cabinet, Shaker, Planked coffee |
| 3. 968541&000112BE | Panel-Prelam 36.00 X 44.42 |
| 4. 968541&000212BE | Panel-Prelam 5.63 X 28.38 |
| 5. 968541&000312BE | Panel-Prelam 5.63 X 28.38 |
| 6. 968541&000412BE | Panel-Prelam 5.63 X 18.00 |
| 7. 968541&000512BE | Panel-Prelam 5.63 X 18.00 |
| 8. 968541&000603BE | Panel-18.00 X 29.38 |
| 9. 968541&000712BB | Panel-Prelam 5.00 X 16.75 |
| 10. 968541&000812BB
114813
382237
381228-02 | Panel-Prelam 5.00 X 16.75
Aluminum angle, 1 x 1.5
Shelf support, Stainless Steel
Catch, Grabber door, 5LB |

FURNITURE, LAVATORY

Wardrobe, 30RB



Parts Listed on Next Page

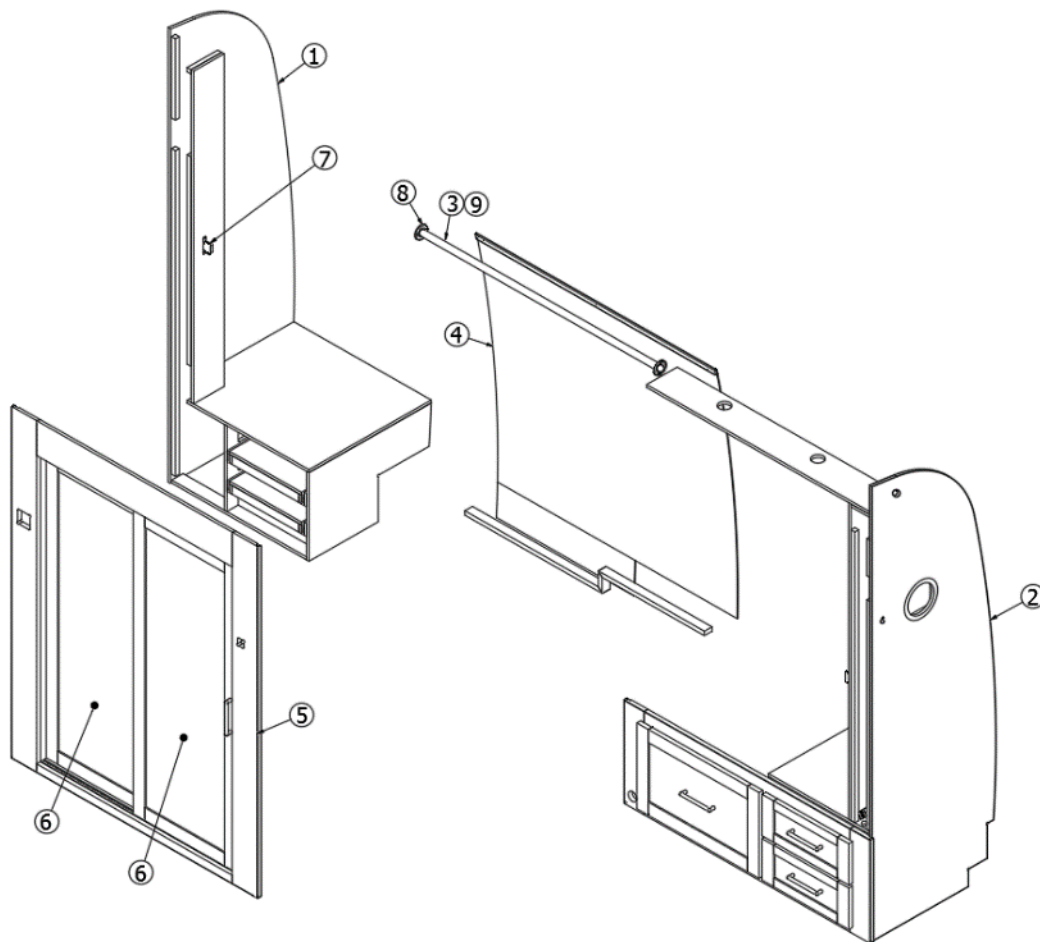
FURNITURE, LAVATORY

Wardrobe, 30RB

968888	Assembly – Wardrobe
1. 968888&000212BB	13.19 X 78.35
2. 968888&000312BB	17.13 X 18.25
3. 968888&000412BB	37.31 X 27.38
4. 968888&000512BB	13.00 X 18.25
5. 968888&000612BB	18.00 X 2.25
6. 968888&000712BE	7.13 X 7.13
7. 968888&000812BE	10.00 X 10.00
8. 800397	Cedar, Planked, 4' x 8' Sheet
9. 968888&001012BE	10.00 X 10.00
10. 381581	Strap, Clear Plastic
11. 800573-1002	Molding-Door Edge Flat Linen
800573-1010	Molding, Door edge, Planked coffee
12. 968888&001612BB	Pre laminate, .5 x 16 x 5.5"
13. 968888&001712BB	Pre Lam- 0.50 X 16.00 X 10.00
14. 801964-1002	Face Frame-Wardrobe Cab Linen
801964-1010	Face frame, Wardrobe cabinet, Planked coffee
15. 801415-WH	Corner trim, White linen, 1" radius
801415-1010	Corner trim, Planked Coffee, 1" radius
16. 802462-141002	Door-16.13 X 57.13 Shaker Linen
802613-281010	Door, Planked coffee, 16.13 x 57.13"
17. 802462-151002	Door-16.13 X 16.50 Shaker Linen
802613-291010	Door, Planked coffee, 16.13 x 16.5"
18. 115656	Collar, Classic Safe
19. 382292	Safe, 6 x 6 x 10
20. 968888&004912BB	Pre laminate, 27.11 x 78.05"
380046	Flange, Chrome
104821	Support, Roof locker, 74"
114811	Aluminum angle, .5 x .5 x 16
114810	Aluminum angle, .5 x 1 x 16
386404-01	Pull, Satin nickel
386404-02	Pull, Matte gold
386279	Corner brace, 3.5 x .75 x .75
382238	Hinge, Compact
381228-02	Catch, Grabber door, 5LB
381228	Catch, Grabber door, 10LB
512831	Cabinet light
101401	Extrusion, Door latch housing
203138-06	Wall Extrusion-Plas Ash Grey
200975-04	Conduit, Flexible Black Plastic
701538-01	Carpet Ecoliner
380045	Tubing, 3/4"

FURNITURE, LAVATORY

Wardrobe, 33FB



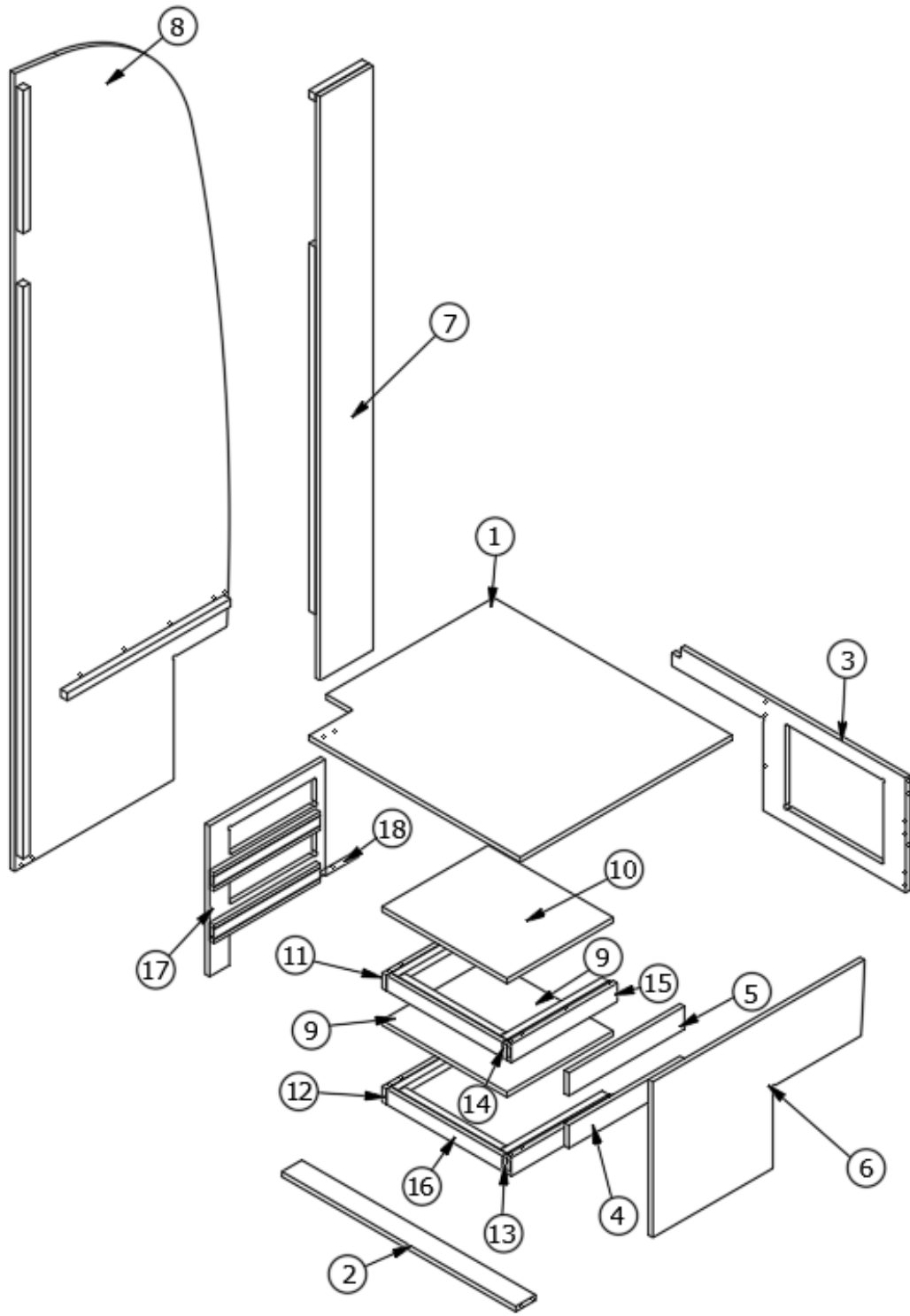
112715-01

Wardrobe Install

- | | |
|----------------|------------------------------------|
| 1. 968867 | Ass'y - Wardrobe Left |
| 2. 968868-01 | Assy, Wardrobe right |
| 3. 380045 | Tubing 3/4" Elec Metallic |
| 4. 800397-01 | Cedar Planked 5/32" |
| 5. 802344-1002 | Face frame W/R Upper Linen |
| 6. 968554-01 | Assy-Wardrobe Door |
| 7. 381228 | Catch Grabber Door C3-810 |
| 8. 380046 | Flange Chrome |
| 9. 200975-04 | Conduit, Flexible Black plastic |
| 800573-1002 | Molding-Door Edge Flat Linen |
| 800573-1010 | Molding, Door edge, Planked coffee |
| 382439 | Brown Plastic Guide Track |

FURNITURE, LAVATORY

Wardrobe, Left, 33FB



Part Numbers Listed on Next Page

FURNITURE, LAVATORY

Wardrobe, Left, 33FB

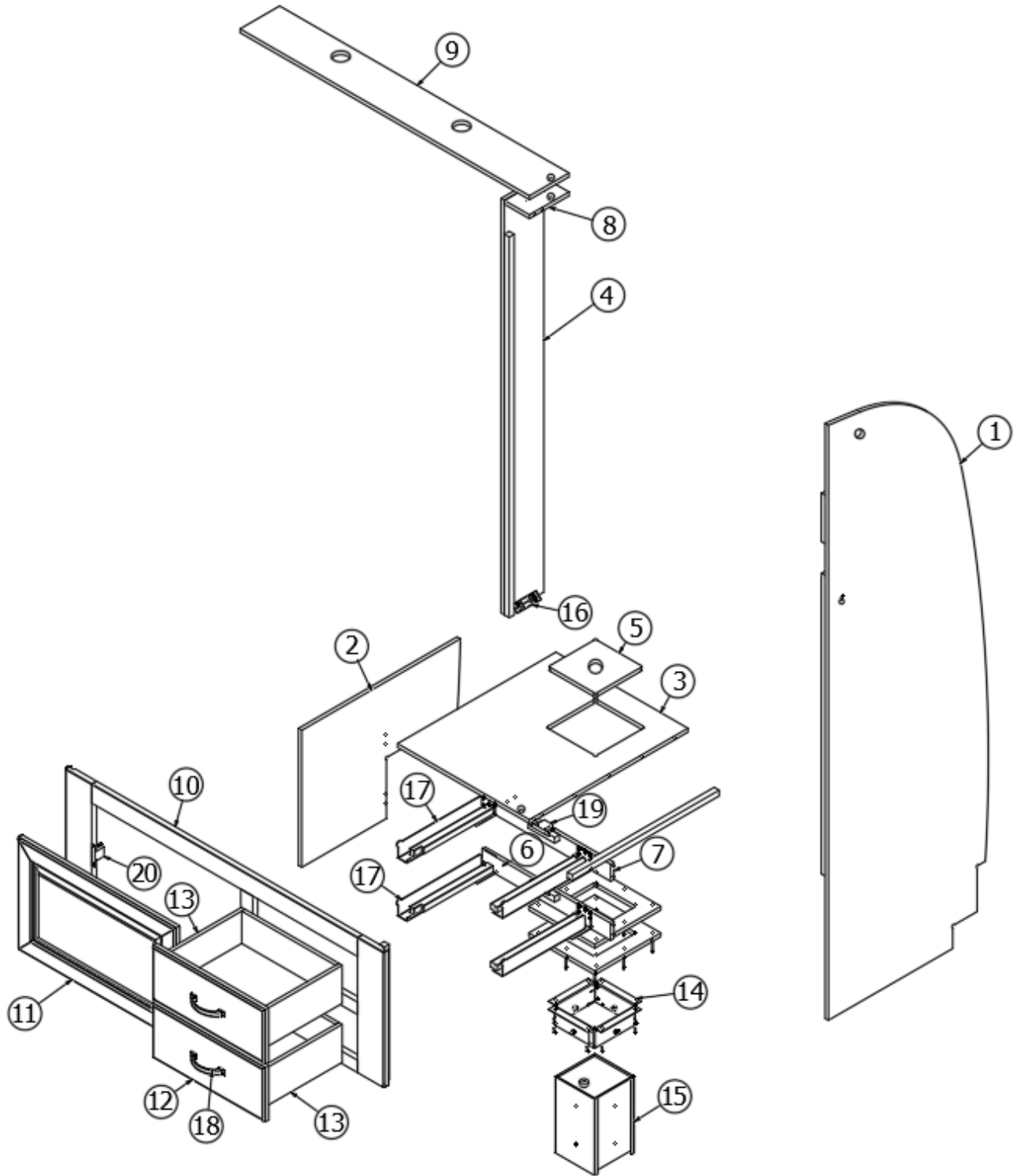
968867

Assembly- Wardrobe Left

- | | |
|---------------------|------------------------------------|
| 1. 968867&000112BE | Panel, 26.93 X 23.95 |
| 2. 968867&000212BE | Panel, 2.25 X 26.43 |
| 3. 968867&000312BE | Pre Laminate- 0.50 X 11.25 X 26.43 |
| 4. 968867&000412BE | Panel, 2.25 X 13.06 |
| 5. 968867&000512BE | Panel, 2.25 X 13.06 |
| 6. 968867&003412BE | Pre laminate, 23.93 x 15.25" |
| 7. 968867&000712BB | Panel, 6.00 X 57.20 |
| 8. 968867&003512BB | Pre laminate, 24.25 x 77.69" |
| 9. 968867&000912BB | Pre Laminate- 0.50 X 12.00 X 14.12 |
| 10. 968867&001012BB | Pre Laminate- 0.50 X 12.00 X 14.12 |
| 11. 968867&001112BB | Pre Laminate- 0.50 X 1.50 X 12.00 |
| 12. 968867&001212BB | Pre Laminate- 0.50 X 1.50 X 12.00 |
| 13. 968867&001312BB | Pre Laminate- 0.50 X 1.50 X 12.00 |
| 14. 968867&001412BB | Pre Laminate- 0.50 X 1.50 X 12.00 |
| 15. 968867&001512BB | Pre Laminate- 0.50 X 1.50 X 13.12 |
| 16. 968867&001612BB | Pre Laminate- 0.50 X 1.50 X 13.12 |
| 17. 968867&001712BB | Pre Laminate- 0.50 X 14.75 X 13.06 |
| 18. 386279 | Corner Brace |
| 381400-01 | Slide Drawer |

FURNITURE, LAVATORY

Wardrobe, Right, 33FB



Parts Listed on Next Page

FURNITURE, LAVATORY

Wardrobe, Right, 33FB

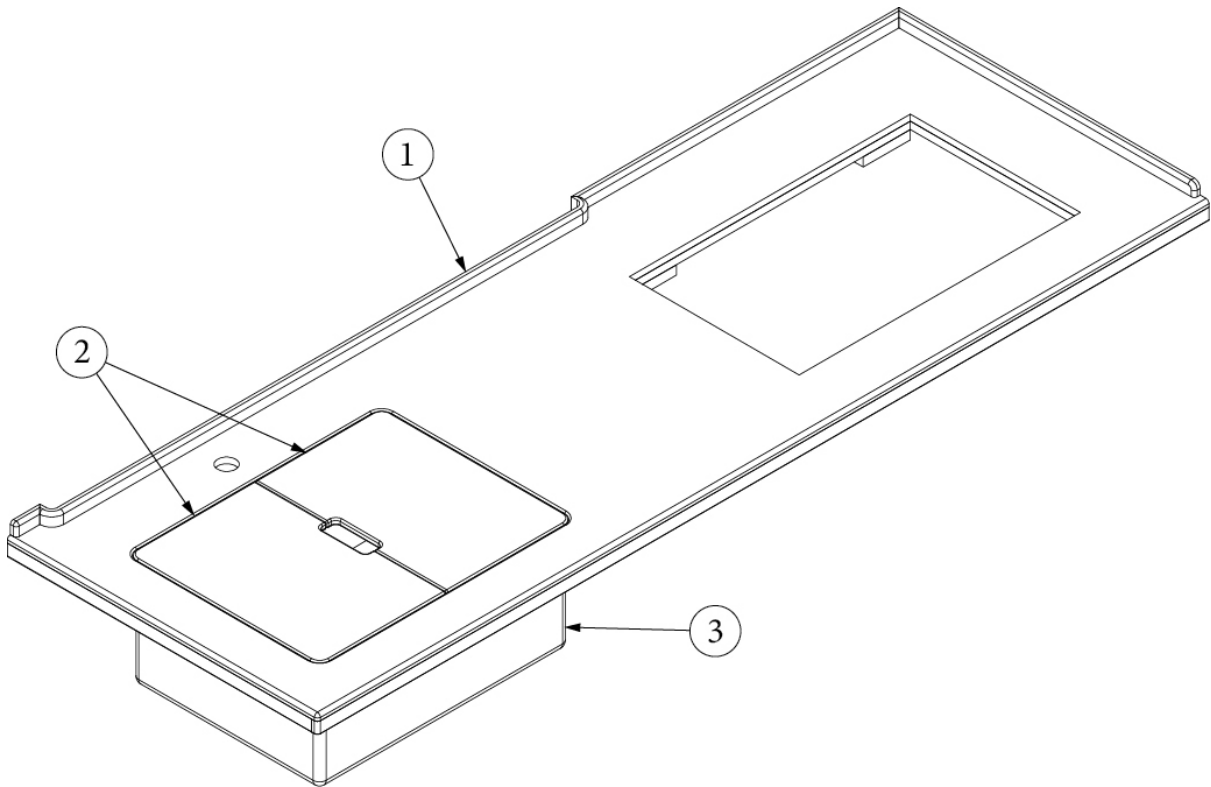
968868-01

Right Wardrobe

- | | |
|---|--|
| <ul style="list-style-type: none"> 1. 802631-1002 <li style="padding-left: 20px;">802631-1010 2. 968868&004012BB 3. 968868&000312BE 4. 968868&000412BE 5. 968868&000512BE 6. 968868&000612BE 7. 968868&000712BE 8. 968868&000812BE 9. 968868&000912BE 10. 802343-1002 <li style="padding-left: 20px;">802343-1010 11. 802462-051002 <li style="padding-left: 20px;">802613-191010 12. 802463-011002 <li style="padding-left: 20px;">802613-011010 13. 969706-08 14. 115656 15. 382292 16. 386279 17. 382807-06 <li style="padding-left: 20px;">382807-01 <li style="padding-left: 20px;">382807-02 18. 382253-02 <li style="padding-left: 20px;">386404-02 19. 381228-02 <li style="padding-left: 20px;">382807-04 <li style="padding-left: 20px;">701538-01 <li style="padding-left: 20px;">800507-02 | <ul style="list-style-type: none"> Sub Assy, Wardrobe panel, Linen Sub Assy, Wardrobe panel, Planked coffee Pre laminate, 24.02 x 18" Panel, 20.00 X 24.02 Panel, 6.00 X 54.45 Panel, 7.13 X 7.13 Panel, 2.25 X 19.50 Panel, 2.25 X 19.50 Panel, 6.00 X 3.81 Panel, 6.00 X 43.87 Face Frame-Wardrobe Lower Linen Face frame, Wardrobe lower, Planked coffee Door-24.00 X 14.75 Shaker Linen Door, Shaker, Planked coffee, 24 x 14.75" Drwr Face-17.00 X 7.13 Linen Drawer face, Planked coffee, 17 x 7.13" Drawer box, 5 x 12 x 15.25" Collar, Safe Safe, 6 x 6 x 10 Corner brace, .75 x .75 Drawer slide, Self-close, 12" Fixing clip, Left front Fixing clip, Right front Pull-Antique Silver 5 3/16" Pull-Matte Gold Catch, Grabber door, 5LB Bracket, Rear mount Carpet, Charcoal Gray Lauan, .25 x 12 x 12 |
|---|--|

FURNITURE, GALLEY

Galley Top, 30RB



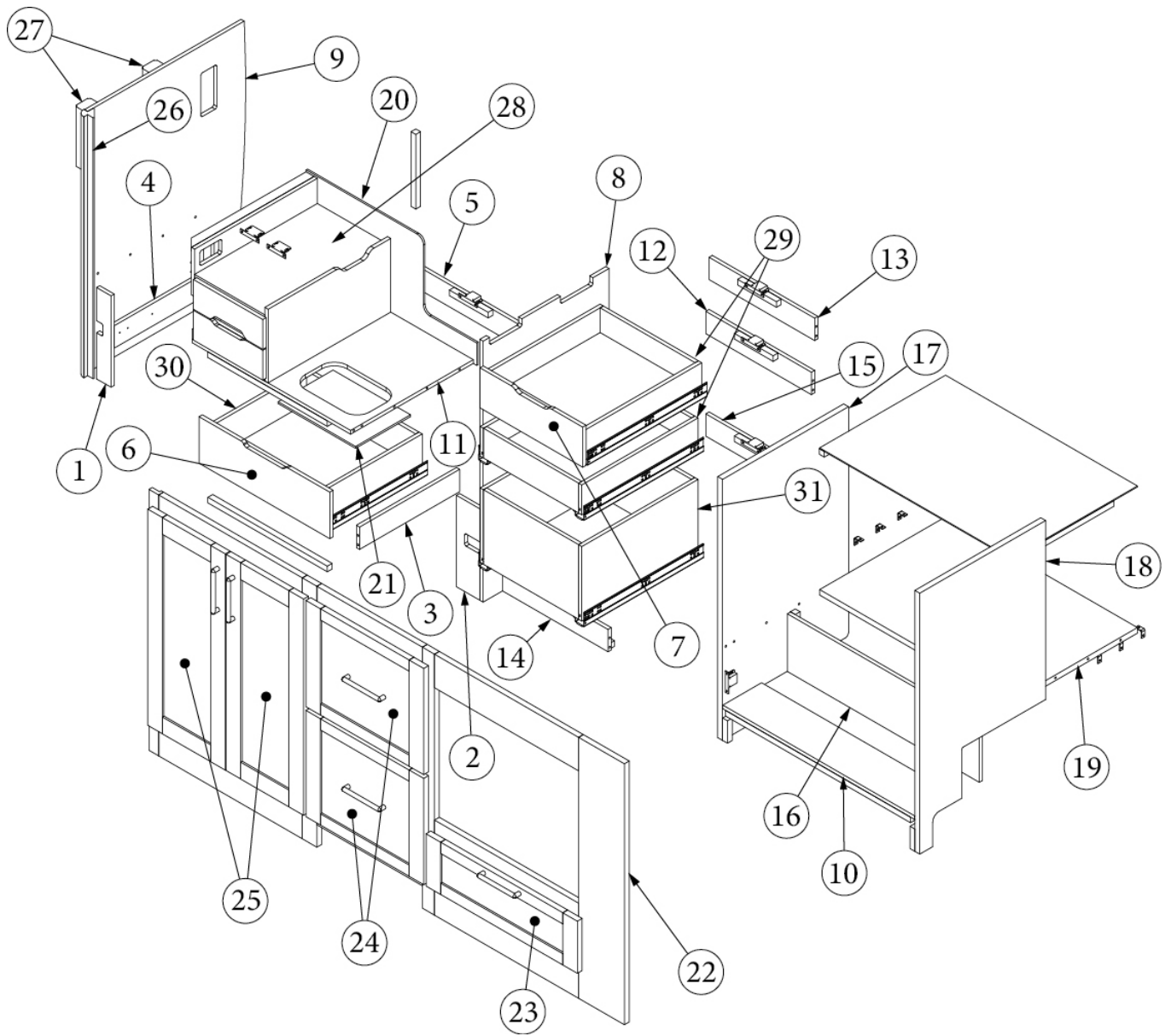
969948

Assembly, Galley Top, 30RB

1. 602949-01 Assy-Galley Top Comos Prima
602949-02 Assy, Galley top, Corian, Limestone
2. 602443-01 Cover, Sink Corian, Cosmos Prima
602443-02 Cover, Sink, Corian, Limestone
3. 602438 Sink, SS Elkay Crosstown
602392-03 Flip Shelf Assy-Gal Cosmos Prima
602392-04 Flip shelf, Limestone
382092 Bracket, Hinged spring
602437 Faucet-Gal Pull-Out Grohe Minta, Grohe
801994-1002 Molding-Galley Flip Shelf Linen
801994-1010 Molding, Galley flip shelf, Planked coffee
602388 Sink clip

FURNITURE, GALLEY

Galley Cabinet, 30RB



Parts Listed on Next Page

FURNITURE, GALLEY

Galley Cabinet, 30RB

969946-01

Galley Cabinet

1. 969946&000112BB	Pre laminate, .5 x 2.25 x 12.25"
2. 969946&000212BB	Pre laminate, .5 x 3.63 x 12.25"
3. 969946&000312BB	Pre laminate, .5 x 15.5 x 3"
4. 969946&000412BB	Pre laminate, .5 x 15.5 x 3"
5. 969946&000512BB	Pre laminate, .5 x 25.93 x 3"
6. 969946&000612BB	Pre laminate, .5 x 20.25 x 6.25"
7. 969946&000712BB	Pre laminate, .5 x 15.91 x 5.38"
8. 969946&000812BB	Pre laminate, .5 x 19.5 x 35"
9. 969946&000912BB	Pre laminate, .5 x 24.46 x 35"
10. 969946&001012BB	Pre laminate, .5 x 29.72 x 6"
11. 969946&001112BE	Pre laminate, .5 x 25.93 x 19"
12. 969946&001212BE	Pre laminate, .5 x 16.34 x 3"
13. 969946&001312BE	Pre laminate, .5 x 16.34 x 3"
14. 969946&001412BE	Pre laminate, .5 x 16.34 x 3"
15. 969946&001512BE	Pre laminate, .5 x 16.34 x 3"
16. 969946&001612BE	Pre laminate, .5 x 29.72 x 7.75"
17. 969946&001718BB	Pre laminate, .75 x 19.5 x 35"
18. 969946&001818BE	Pre laminate, .75 x 19.5 x 35"
19. 969946&001918BB	Pre laminate, .75 x 29.72 x 19.5"
20. 969946&002006BE	Pre laminate, .52 x 26.43 x 13"
21. 969946&002106BE	Pre laminate, .25 x 12 x 8.5"
22. 802717-1002	Face frame, Galley oven, Linen
802717-1010	Face frame, Galley oven, Planked coffee
23. 802463-161002	Drawer face, Linen, 23.48 x 7"
802613-491010	Drawer face, Planked Coffee, 23.48 x 7"
24. 802463-171002	Drawer face, Linen, 18.25 x 14.25 x .75"
802613-501010	Drawer face, Planked Coffee, 7.63 x 56.88"
25. 802462-091002	Door, Linen, 12 x 29"
802613-231010	Door, Planked Coffee, 12 x 29"
26. 801415-WH	Corner Trim, White linen, 1" radius
801415-1010	Corner trim, Planked Coffee, 1" radius
27. 801994-1002	Molding, Galley flip shelf, Linen
801994-1010	Molding, Galley flip shelf, Planked coffee
28. 968190-01	Assy, Drawer section, Galley
29. 969705-09	Drawer Box, 4 x 15.72 x 18"
30. 969706-06	Drawer Box, 5 x 12 x 10.13"
31. 969709-02	Drawer Box, 10 x 15.72 x 18"
969704-05	Drawer Box, 2.75 x 18 x 9.75"
381708	Wastebasket, Rubbermaid
701538-01	Carpet, econoliner
968024	Insert, Cutlery drawer

Parts Continued on Next Page

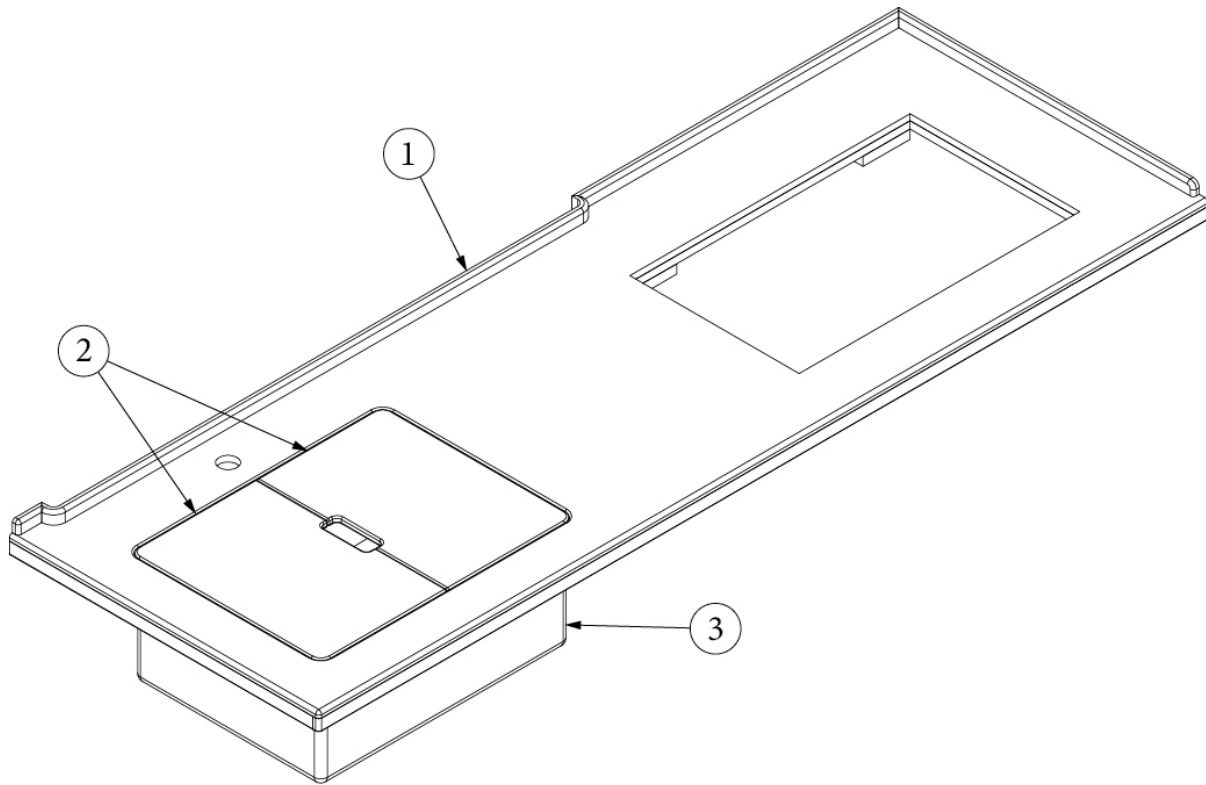
FURNITURE, GALLEY

Galley Cabinet, 30RB, Continued

382807-07	Drawer slide, Self-close, 15"
382807-08	Drawer slide, Self-close, 18"
382807-01	Fixing clip, Left front
382807-02	Fixing clip, Right front
382807-04	Bracket, Rear mount
381228-02	Catch, Grabber door, 5LB
386404-01	Pull, Satin nickel
386404-02	Pull, Matte gold
382238	Hinge, Compact
802612-01	Edgebanding, Planked coffee, 5/8"
365386-01	Edgebanding, Linen, 5/8"

FURNITURE, GALLEY

Galley Top, 33FB



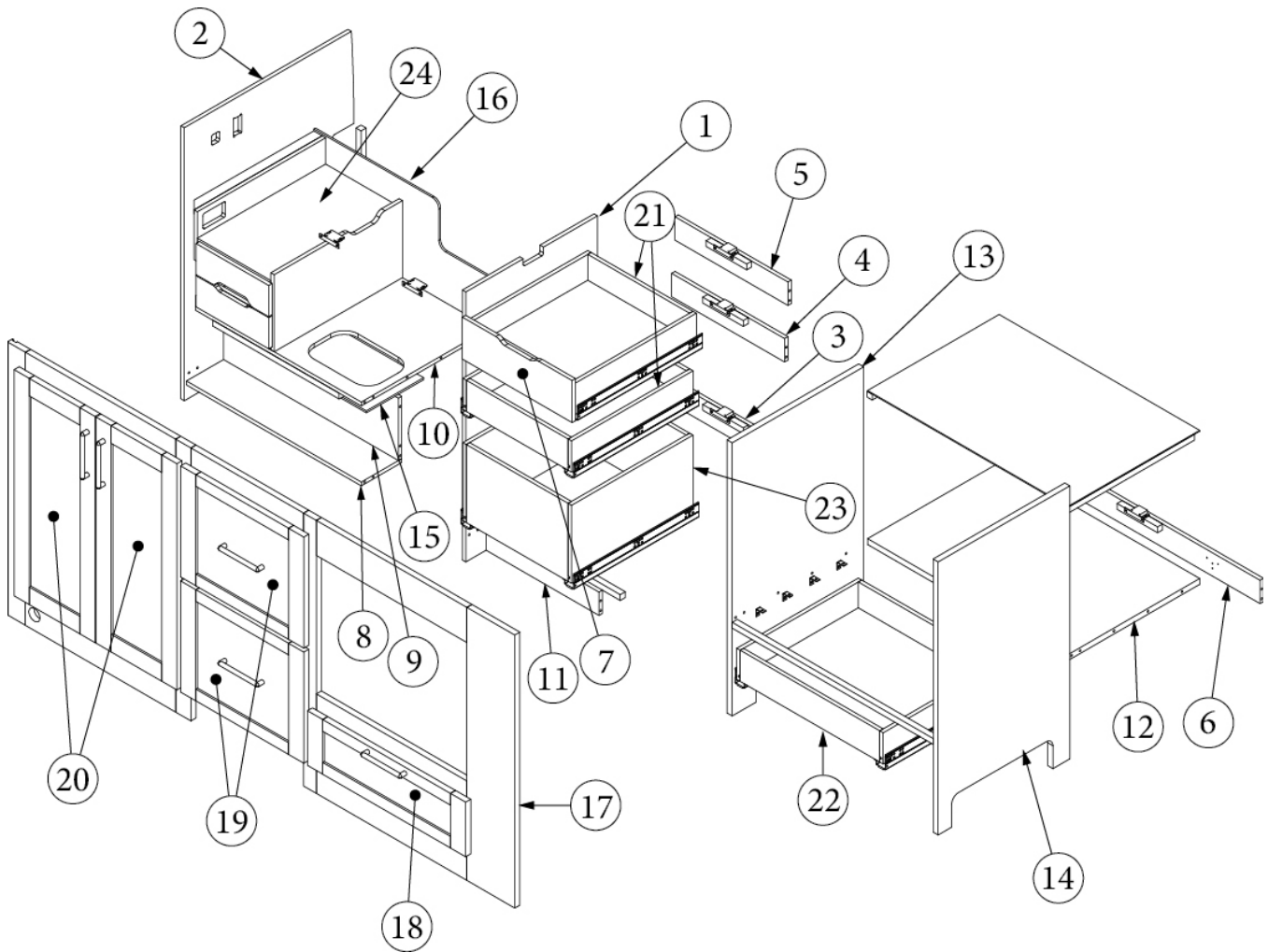
969953

Assembly, Galley Top, 33FB

- | | |
|--------------|---|
| 1. 602950-01 | Top, Galley, Corian, Cosmos Prima |
| 602950-02 | Top, Galley, Corian, Limestone |
| 2. 602443-01 | Cover, Sink, Corian, Cosmos Prima |
| 602443-02 | Cover, Sink, Corian, Limestone |
| 3. 602438 | Sink, SS Elkay Crosstown |
| 602437 | Faucet, Galley Pull-Out, Grohe Minta |
| 600968 | 4 IN. Plastic Chrome Basket Strainer – Galley |
| 602388 | Sink clip |
| 115729-02 | Bracket, Top vents |

FURNITURE, GALLEY

Galley Cabinet, 33FB



Parts Listed on Next Page

FURNITURE, GALLEY

Galley Cabinet, 33FB

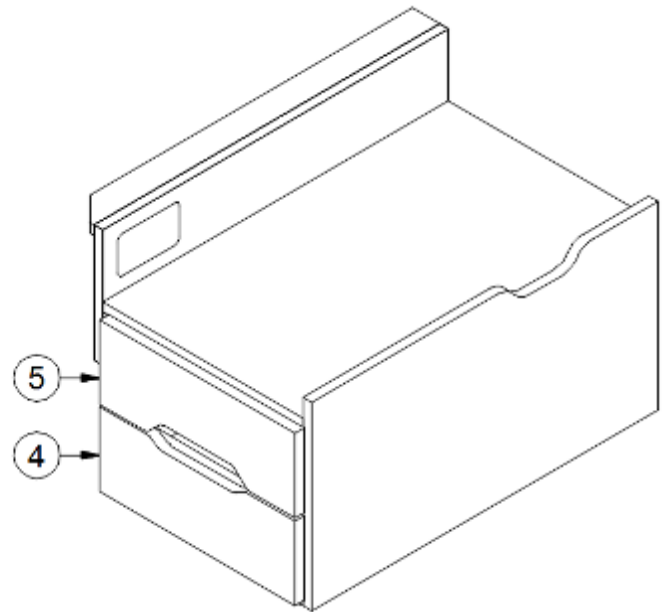
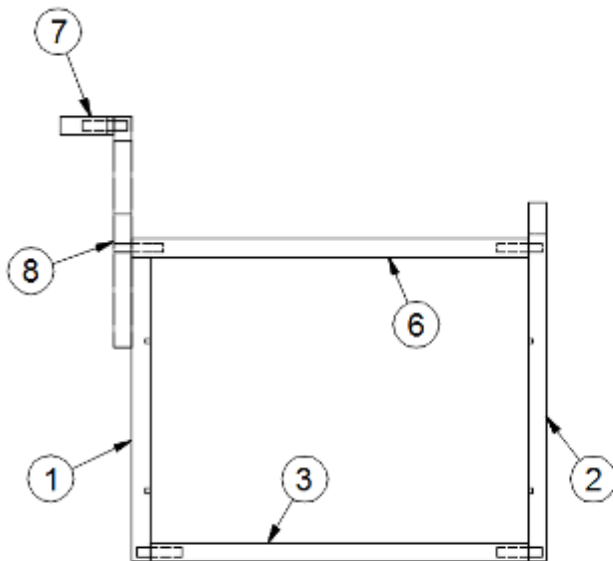
969952-01

Assembly, Galley Cabinet

1. 969952&000112BB	Pre laminate, .5 x 19.5 x 34.63"
2. 969952&000212BB	Pre laminate, .5 x 25.13 x 35"
3. 969952&000312BB	Pre laminate, .5 x 16.72 x 3"
4. 969952&000412BB	Pre laminate, .5 x 16.72 x 3"
5. 969952&000512BB	Pre laminate, .5 x 16.72 x 3"
6. 969952&000612BB	Pre laminate, .5 x 29.72 x 3"
7. 969952&000712BB	Pre laminate, .5 x 16.28 x 5.38"
8. 969952&000812BE	Pre laminate, .5 x 25.9 x 6"
9. 969952&000912BE	Pre laminate, .5 x 25.9 x 8"
10. 969952&001012BE	Pre laminate, .5 x 25.9 x 19"
11. 969952&001112BE	Pre laminate, .5 x 16.72 x 3"
12. 969952&001218BB	Pre laminate, .75 x 29.72 x 19.5"
13. 969952&001318BB	Pre laminate, .75 x 19.5 x 35"
14. 969952&001418BE	Pre laminate, .75 x 19.5 x 35"
15. 969952&001506BE	Pre laminate, .25 x 12 x 8.5"
16. 969952&001606BE	Pre laminate, .25 x 26.53 x 13"
17. 802720-1002	Face Frame, Galley oven, Linen
802720-1010	Face frame, Galley oven, Planked coffee
18. 802463-161002	Drawer Face, Linen, 23.48 x 7"
802613-491010	Drawer Face, Planked Coffee, 23.48 x 7"
19. 802463-171002	Drawer Face, Linen, 18.25 x 14.25 x .75"
802613-501010	Drawer Face, Planked Coffee, 7.63 X 56.88"
20. 802462-091002	Door, Linen, 12 x 29"
802613-231010	Door, Planked Coffee, 12 x 29"
21. 969705-10	Drawer Box, 4 x 16.09 x 18"
22. 969705-11	Drawer Box, 4 x 21.69 x 18"
23. 969709-03	Drawer Box, 10 x 16.09 x 18"
24. 968190-01	Drawer section, Galley
382253-02	Pull, Antique Silver, 5"
381708	Wastebasket, Rubbermaid
701538-01	Carpet, econoliner
968024	Insert, Cutlery drawer
382807-08	Drawer slide, Self-close, 18"
382807-01	Fixing clip, Left front
382807-02	Fixing clip, Right front
382807-04	Bracket, Rear mount
381228-02	Catch, Grabber door, 5LB
386404-01	Pull, Satin nickel
386404-02	Pull-Matte Gold
382238	Hinge, Compact
365386-01	Edgebanding, Linen, 5/8"
802612-01	Edgebanding, Planked coffee, 5/8"

FURNITURE, GALLEY

Galley, Drawer Section, 30RB, 33FB



968190-01

Galley Drawer Section

- 1. 968190&000112BB
- 2. 968190&000212BB
- 3. 968190&000312BB
- 4. 968190&000412BB
- 5. 968190&000512BB
- 6. 968190&000612BB
- 7. 968190&000812BB
- 968190&000912BB
- 969704-05
- 382807-08
- 968024
- 382807-01
- 382807-02

- Panel-Prelam 19.00X8.38
- Panel-Prelam 19.00X9.88
- Panel-Prelam 19.00 X 10.50
- Panel-Prelam 10.75X4.00
- Panel-Prelam 10.75X4.00
- Panel-Prelam 19.00 X 11.00
- Panel-Prelam 19.00 X 1.50
- Panel-Prelam 19 x 4
- Drawer box, 2.75 x 18 x 9.75"
- Drawer slide, Self-close, 18"
- Insert, Cutlery drawer
- Fixing clip, Left front
- Fixing clip, Right front

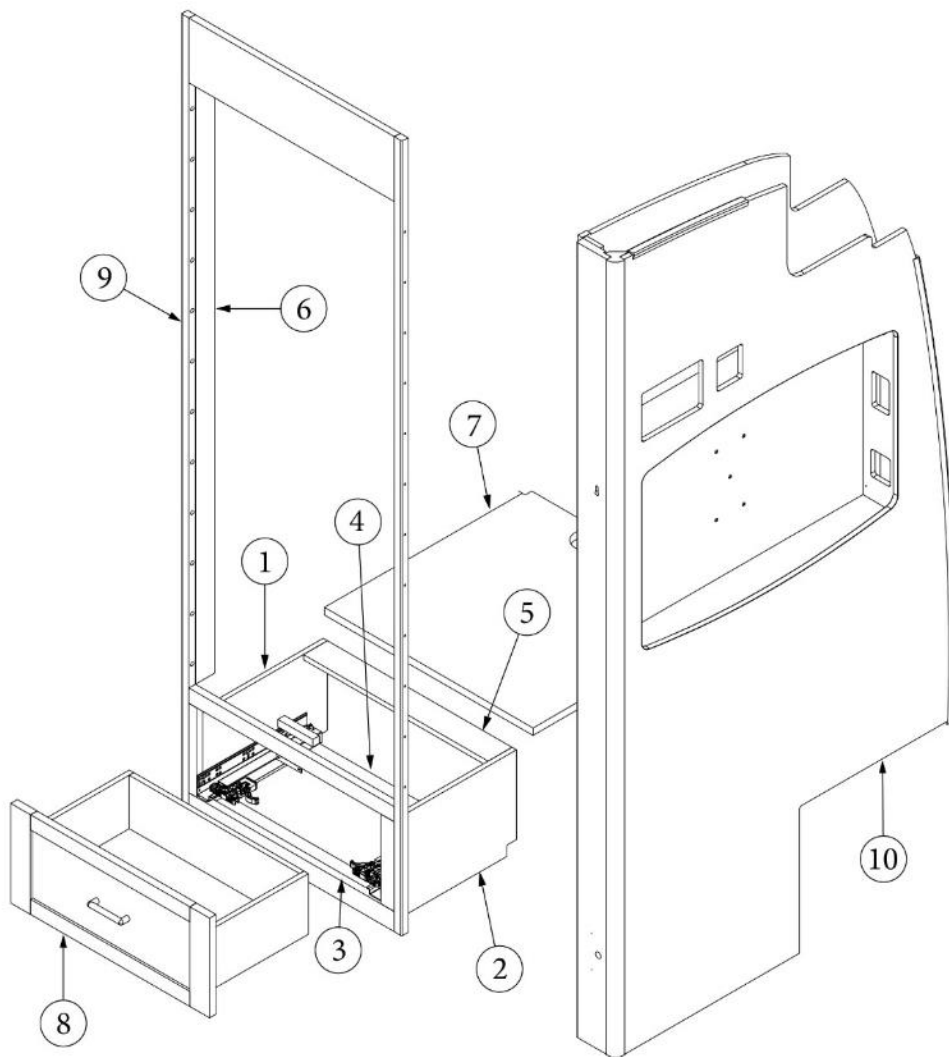
Wine Rack, 33FB

- 802615-1002
- 802615-1010
- 386562

- Wine rack, Linen
- Wine rack, Planked coffee
- Label, Notice, Remove bottles for transit

FURNITURE, GALLEY

Refrigerator Cabinet, 30RB



Parts Listed on Next Page

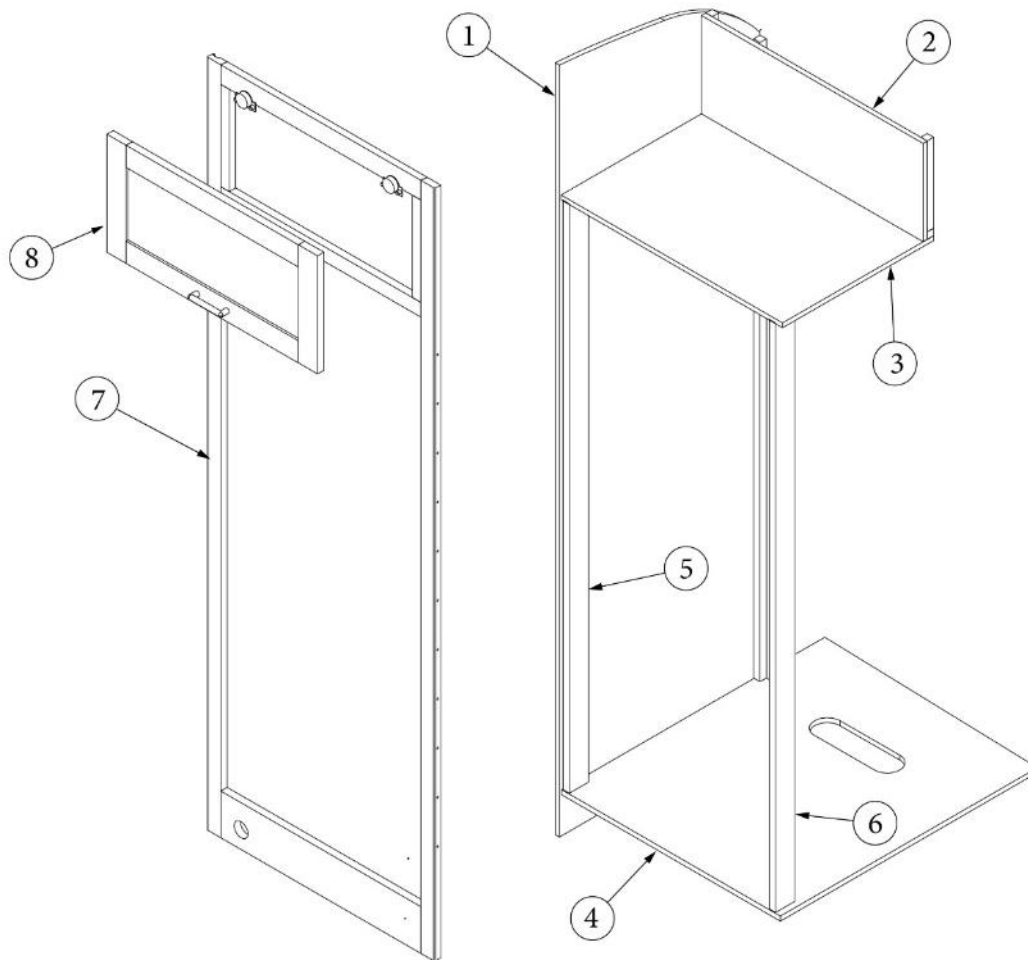
FURNITURE, GALLEY

Refrigerator Cabinet, 30RB

969689-01	Refrigerator Cabinet
1. 969689&010112BE	Pre laminate, .5 x 10 x 14.25"
2. 969689&010212BE	Pre laminate, .5 x 10 x 14.25"
3. 969689&010312BE	Pre laminate, .5 x 2.75 x 21.13"
4. 969689&010412BE	Pre laminate, .5 x 2.75 x 21.13"
5. 969689&010512BE	Pre laminate, .5 x 2.75 x 21.13"
6. 969689&010612BE	Pre laminate, .5 x 2.25 x 63"
7. 969689&010818BE	Pre laminate, .75 x 23.88 x 37"
8. 802463-131002	Drawer face, Linen, 22.75 x 9.88"
802613-131010	Drawer face, Planked coffee
9. 802617-1002	Face frame, Refrigerator cabinet, Linen
802617-1010	Face frame, Refrigerator cabinet, Planked coffee
10. 969153	Assy, Forward refrigerator TV wall
386404-01	Pull, Satin nickel
386404-02	Pull, Matte gold
969707-03	Drawer box, 6 x 12 x 20.5
801415-WH	Corner trim, 1" radius, Linen
801415-1010	Corner trim, 1" radius, Planked coffee
381228-02	Catch, Grabber door, 5LB
382807-06	Drawer slide, Self-close, 12"
382807-01	Fixing clip, Left front
382807-02	Fixing clip, Right front
365386-01	Edgebanding, Linen, 5/8"
802612-01	Edgebanding, Planked coffee, 5/8"

FURNITURE, GALLEY

Refrigerator Cabinet, 33FB



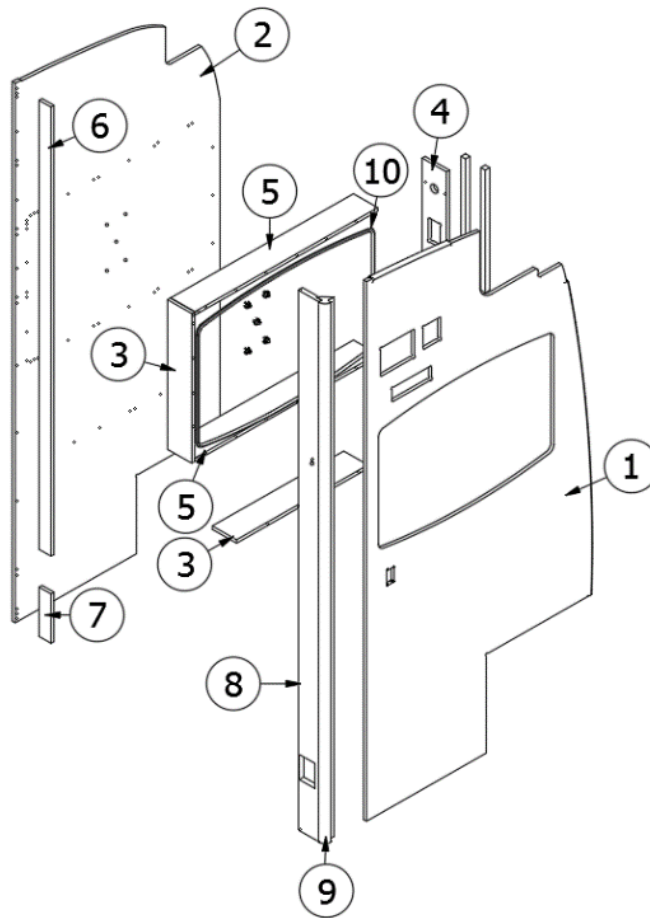
969681-01

Refrigerator Cabinet

- | | |
|--------------------|--|
| 1. 969681&001812BB | Pre laminate, 31.27 x 78.48" |
| 2. 969681&010212BE | Pre laminate, 5 x 26.03 x 10" |
| 3. 969681&010312BB | Pre laminate, 5 x 26.03 x 17.75" |
| 4. 969681&010412BE | Pre laminate, 5 x 25.72 x 30.2" |
| 5. 969681&010518BE | Pre laminate, .75 x 2.25 x 59.94" |
| 6. 969681&010618BE | Pre laminate, .75 x 2.25 x 59.94" |
| 7. 802616-1002 | Face frame, Refrigerator cabinet, Linen |
| 802616-1010 | Face frame, Refrigerator cabinet, Planked coffee |
| 8. 802462-241002 | Door, Shaker, Linen, 24.75 x 12 |
| 802613-241010 | Door, Shaker, Planked coffee, 24.75 x 12 |
| 386404-01 | Pull, Satin nickel |
| 382238 | Hinge, Compact |
| 386404-02 | Pull-Matte Gold |
| 365386-01 | Edgebanding, Linen, 5/8" |
| 802612-01 | Edgebanding, Planked coffee, 5/8" |

FURNITURE, GALLEY

Forward Refrigerator Wall, TV, Radio, 30RB



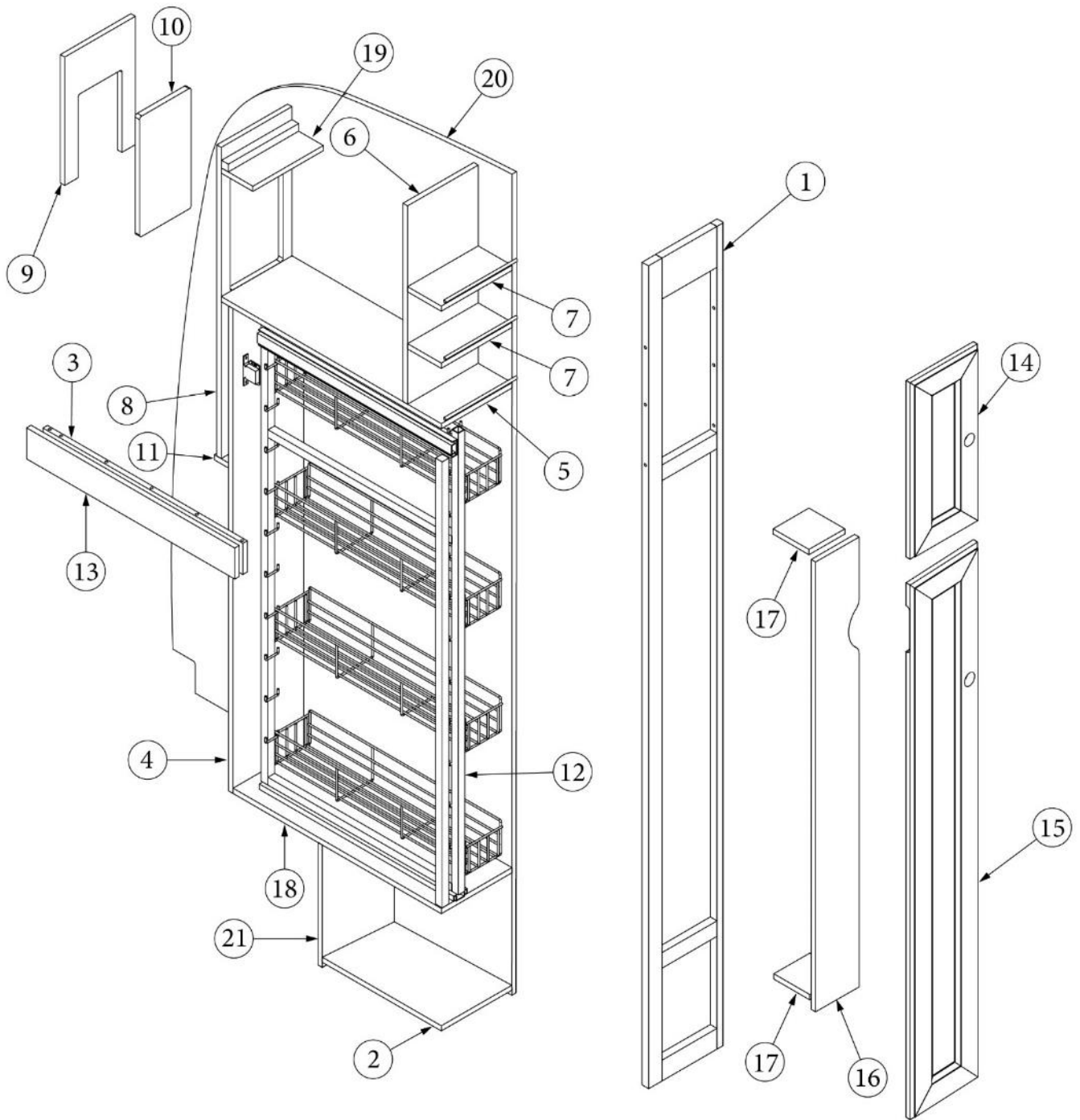
969153

Forward Refrigerator Wall, TV, Radio

- | | |
|--------------------|--|
| 1. 969153&001412HE | Pre laminate, 37.58 x 78.74" |
| 2. 969153&001512BE | Pre laminate, 33.78 x 78.75" |
| 3. 969153&000312BE | Panel, 4.06 X 22.00 |
| 4. 969153&000412BE | Panel, 4.06 X 22.00 |
| 5. 969153&000512BE | Panel, 4.06 X 30.63 |
| 6. 969153&000612BE | Panel, 2.00 X 66.00 |
| 7. 969153&000712BE | Panel, 2.00 X 7.25 |
| 8. 802025-1002 | Style, Forward Refrigerator wall, Linen |
| 802025-1010 | Style, Forward Refrigerator wall, Planked coffee |
| 9. 801415-WH | Corner trim, 1" radius, Linen |
| 801415-1010 | Corner trim, 1" Radius, Planked coffee |
| 10. 203445-01 | T-Molding, White, 9/16" |
| 203445-07 | T-Molding, Ash Grey, 9/16" |
| 203138-01 | Extrusion-Plastic 1/2" Wall-White |
| 203138-09 | Extrusion, Wall, Plastic, Brown, 1/2" |

FURNITURE, GALLEY

Pantry, 30RB



Parts Listed on Next Page

FURNITURE, GALLEY

Pantry, 30RB

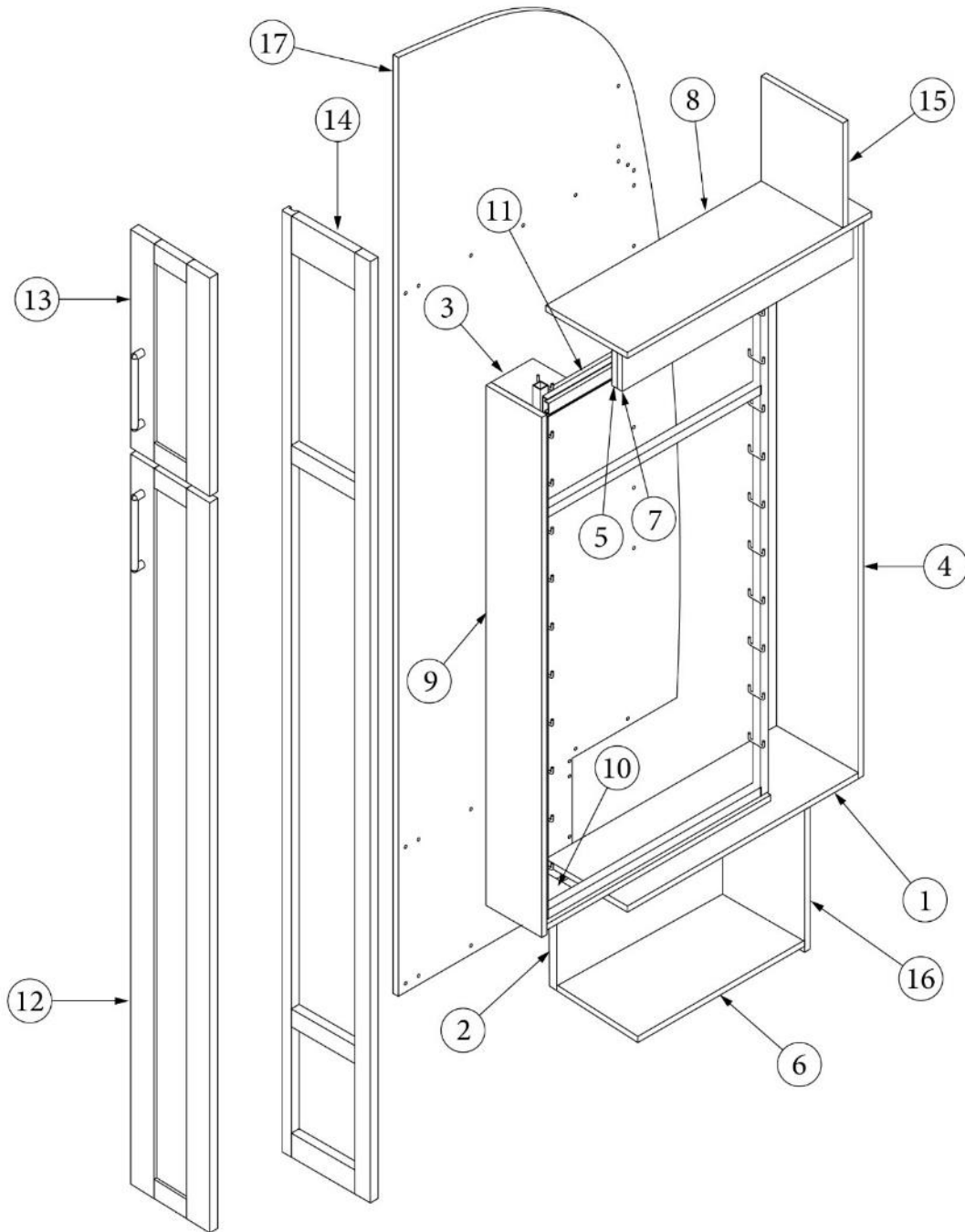
968694-01

Pantry Cabinet

- | | |
|---|--|
| <ol style="list-style-type: none"> 1. 801963-1002
801963-1010 2. 968694&000412BE 3. 968694&000812BE 4. 968694&000312BE 5. 968694&000212BB 6. 968694&000612BB 7. 968694&000712BB 8. 968694&001712BE 9. 968694&000912BE 10. 968694&001012BE 11. 968694&001612BE 12. 381551-01 13. 968694&001212BE 14. 802462-201002
802613-341010 15. 802462-211002
802613-351010 16. 968694&001312BB 17. 968694&001112BE 18. 968694&000112BE 19. 968694&002012BB 20. 968694&014312BE 21. 968694&004412BE
382449-01
381551-02
115042
381228-02
365386-01
802612-01 | <p>Face frame, Pantry, Linen
Face frame, Pantry, Planked coffee
Pre laminate, 7.88 x 13.25"
Pre laminate, 3 x 22.25"
Pre laminate, 7.88 x 46.75"
Pre laminate, 7.88 x 21.5"
Pre laminate, 7.88 x 19.12"
Pre laminate, 3.75 x 7.88"
Pre laminate, 7.88 x 30"
Pre laminate, 7.88 x 12.38"
Pre laminate, 5.75 x 11.625"
Pre laminate, 7.88 x 1.56"
Pantry pullout, Rack
Pre laminate, 3 x 23.19"
Door, Shaker, Linen, 7.5 x 17 x .75"
Door, Shaker, Planked coffee
Door, Shaker, Linen, 7.5 x 56.88"
Door, Shaker, Planked coffee
Pre laminate, 43.38 x 4.85"
Pre laminate, 4 x 4"
Pre laminate, 7.88 x 23.19"
Pre laminate, 7.84 x 3.5"
Pre laminate, 37.92 x 78.63"
Pre laminate, 7.88 x 11.81"
Knob, Push-pull, Satin chrome
Wire basket, White, 4"
Aluminum rod, 8"
Catch grabber, Door, 5LB
Edgebanding, Linen, 5/8"
Edgebanding, Planked coffee, 5/8"</p> |
|---|--|

FURNITURE, GALLEY

Pantry, 33FB



Parts Listed on Next Page

FURNITURE, GALLEY

Pantry, 33FB

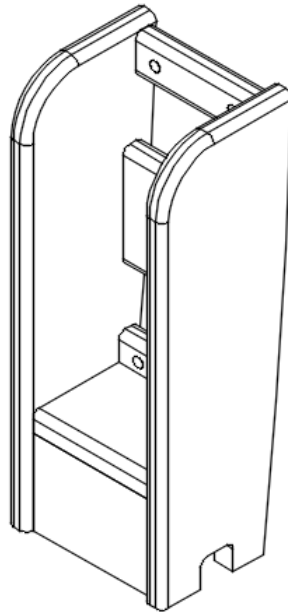
968561-01

Pantry Cabinet

1. 968561&010212BB Pre laminate, 7.88 x 22.25"
2. 968561&010312BE Pre laminate, 7.88 x 16.06"
3. 968561&010412BB Pre laminate, 4 x 4"
4. 968561&010512BB Pre laminate, 7.88 x 46.18"
5. 968561&010612BB Pre laminate, 3 x 22.25"
6. 968561&010712BE Pre laminate, 7.88 x 11.88"
7. 968561&010812BB Pre laminate, 3 x 22.25"
8. 968561&010912BB Pre laminate, 7.88 x 23.5"
9. 968561&011012BB Pre laminate, 5.38 x 43.38"
10. 968561&011212BB Pre laminate, 4 x 4"
11. 381551-01 Pantry pullout, Rack
12. 802463-071002 Drawer face, Linen, 7.63 x 56.88"
802613-071010 Drawer face, Planked coffee
13. 802463-061002 Drawer face, Linen, 7.63 x 17"
802613-061010 Drawer face, Planked coffee
14. 802190-1002 Face frame, Pantry, Linen
802190-1010 Face frame, Pantry, Planked coffee
15. 968561&012512BE Pre laminate, 7.88 x 8.75"
16. 968561&003812BE Pre laminate, 7.88 x 11.88"
17. 968561&003912BB Pre laminate, 27.13 x 78.05"
386404-01 Pull, Satin nickel
386404-02 Pull, Matte gold
381551-02 Wire basket, White, 4"
381228-02 Catch grabber, Door, 5LB
381228 Catch grabber, Door, 10LB
365386-01 Edgebanding, Linen, 5/8"
802612-01 Edgebanding, Planked coffee, 5/8"

FURNITURE, GALLEY

Fire Extinguisher Rack

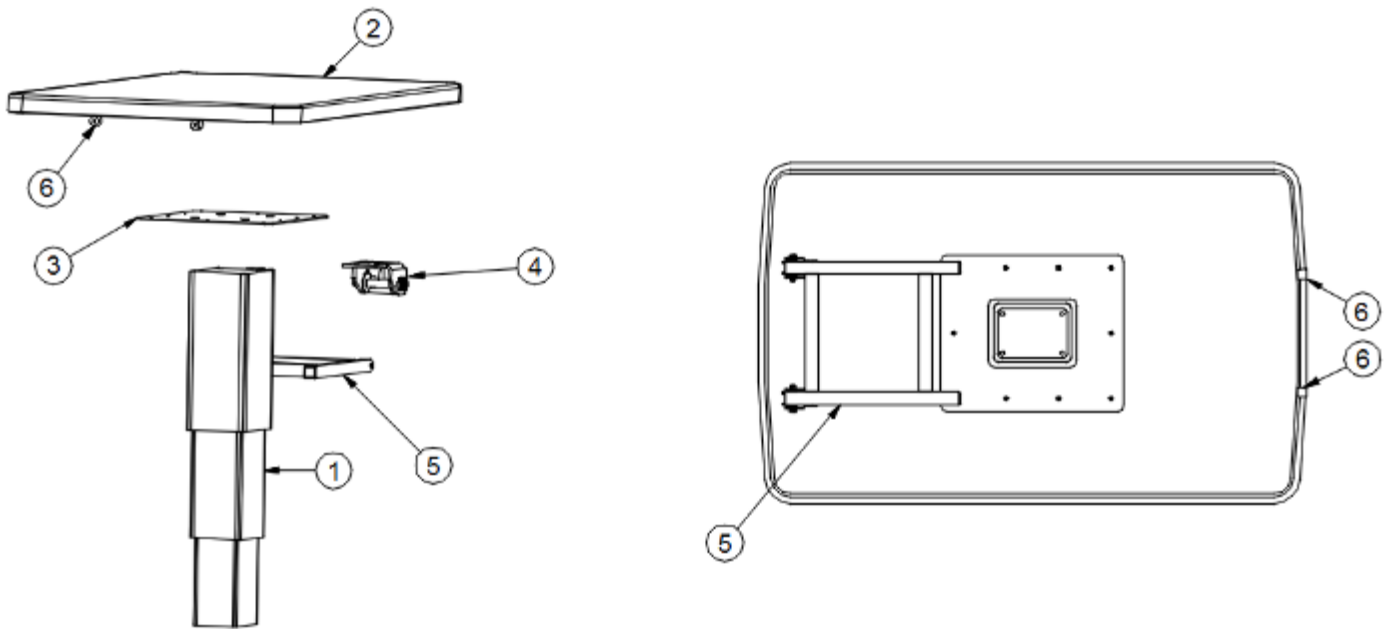


969670-1002
969670-1010
690381-02

Fire extinguisher rack, Linen
Fire extinguisher rack, Planked coffee
Fire extinguisher

FURNITURE, GALLEY

Dinette Table

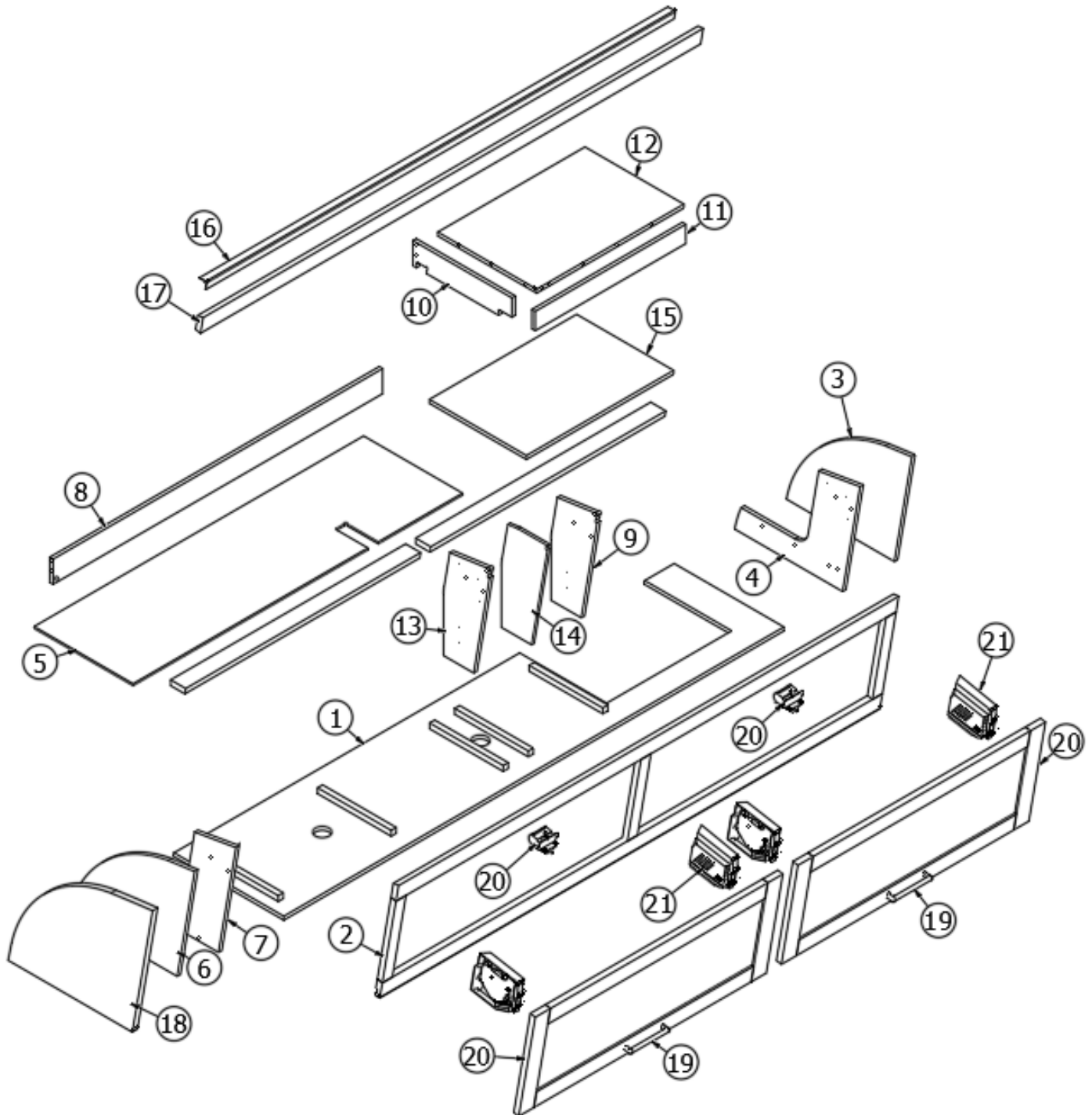


112283 Pedestal Table

- | | |
|--------------|--------------------------------|
| 1. 512930 | Pedestal, Electronic |
| 2. 602527-03 | Tabletop, Corian, Cosmos Prima |
| 602527-04 | Tabletop, Corian, Limestone |
| 3. 454944 | Bracket |
| 4. 454870 | Bracket, LH leg hinge |
| 454871 | Bracket, RH leg hinge |
| 5. 455035 | Leg, Bed support |
| 6. 381136 | Rubber bumper |

FURNITURE, GALLEY

Roof Locker, Galley, 30RB, 33FB



Parts Listed on Next Page

FURNITURE, GALLEY

Roof Locker, Galley, 30RB, 33FB

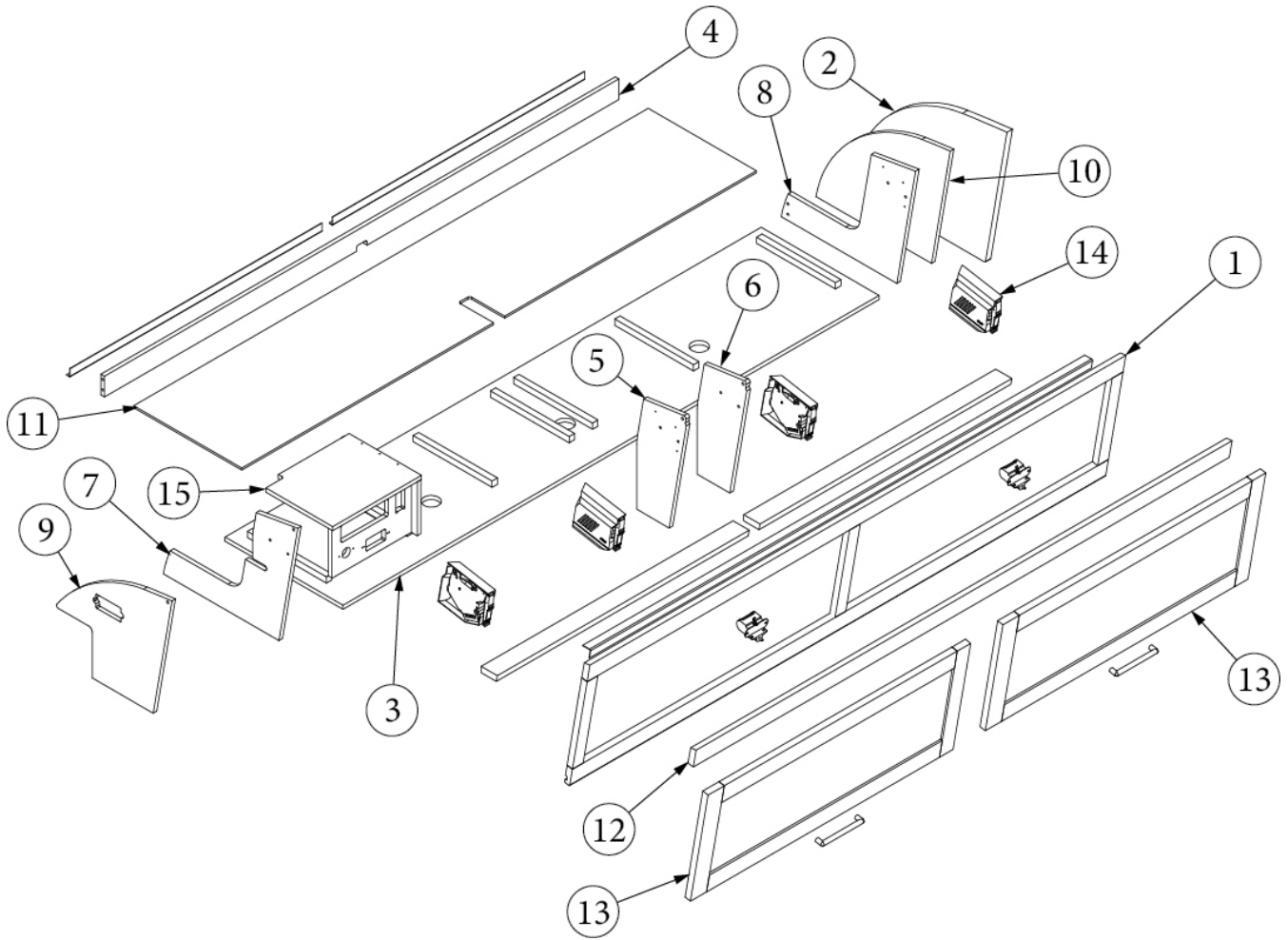
969320

Assy-Galley Locker

- | | |
|--|--|
| <ol style="list-style-type: none"> 1. 969320&000112BE 2. 801988-1002 3. 969320&000312BE 4. 969320&000412BE 5. 969320&000506BE 6. 969320&000612BE 7. 969320&000712BE 8. 969320&000812BE 9. 969320&000912BE 10. 969320&001012BB 11. 969320&001112BB 12. 969320&001212BE 13. 969320&001312BE 14. 800507-03 15. 969320&002912BE 16. 104821 17. 802487-011002
802487-011010 18. 802477-1002
802477-1010 19. 802465-041002
802613-411010 20. 512831
386404-01
386404-02
382213
382733
382734
511227-01
802612-01
365386-01 | <p>Pre Laminate- 0.50 X 16.53 X 74.75
Face Frame-Galley Locker Linen
Pre Laminate- 0.50 X 19.00 X 15.00
Pre Laminate- 0.50 X 19.00 X 15.00
Pre Laminate- 0.25 X 14.79 X 49.25
Pre Laminate- 0.50 X 19.00 X 15.00
Pre Laminate- 0.50 X 19.00 X 15.00
Pre Laminate-3.25 X 49.25
Pre Laminate- 0.50 X 7.50 X 14.63
Pre Laminate- 0.50 X 3.25 X 14.78
Pre Laminate- 0.50 X 2.50 X 22.50
Pre Laminate- 0.50 X 14.78 X 22.00
Pre Laminate- 0.50 X 7.50 X 14.63
Lauan, 4' x 8'
Panel-Prelam 22.00 X 14.50
Support, Roof locker
Face Frame-Gal Locker Header Linen
Face frame, Galley locker, Planked coffee
End Cap-Gal Locker Linen
End cap, Galley locker, Planked coffee
Door-Locker 37.00x14.25 Shaker Style
Door, locker, Shaker, Planked coffee
Closet Light W/Plunger L.E.D. BLK
Pull, Satin nickel
Pull-Matte Gold
Mechanism-Blum Lift O/V Door
Plate-Mounting Door Blum HK-S
Clip-Restriction Blum Hk-S 100 Degree
Raceway Type L Wit Brown
Edgebanding, Planked coffee, 5/8"
Edgebanding, Linen, 5/8"</p> |
|--|--|

FURNITURE, GALLEY

Roof Locker, Dinette, 30RB



Parts Listed on Next Page

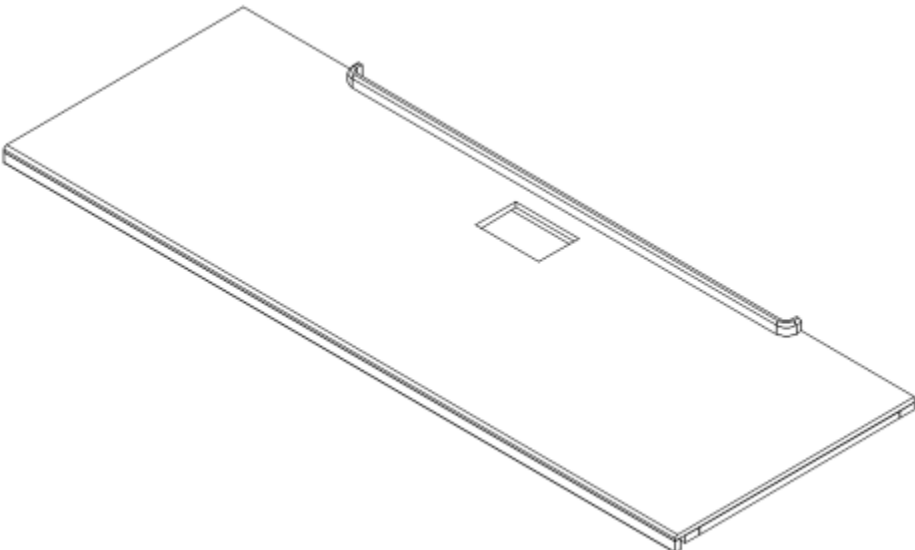
FURNITURE, GALLEY

Roof Locker, Dinette, 30RB

969353	Ass'y - 30 Dinette Locker
1. 801988-1002	Face Frame-Galley Locker Linen
801988-1010	Face frame, Galley locker, Planked coffee
2. 802478-1002	End Cap-Dinette Locker Linen
802478-1010	End cap, Dinette locker, Planked coffee
3. 969353&000312BE	Pre Laminate- 0.50 X 16.53 X 74.75
4. 969353&000412BE	Pre Laminate- 0.50 X 2.50 X 71.75
5. 969353&000512BE	Pre Laminate- 0.50 X 15.00 X 9.00
6. 969353&000612BE	Pre Laminate- 0.50 X 15.00 X 9.00
7. 969353&000712BE	Pre Laminate- 0.50 X 19.00 X 15.00
8. 969353&000812BE	Pre Laminate- 0.50 X 19.00 X 15.00
9. 969353&000912BE	Pre Laminate- 0.50 X 16.25 X 15.00
10. 969353&001012BE	Pre Laminate- 0.50 X 19.00 X 15.00
11. 969353&001106BE	Pre Laminate- 0.25 X 15.06 X 71.75
12. 802487-011002	Face Frame-Gal Locker Header Linen
802487-011010	Face frame, Gallery locker, Header, Planked coffee
13. 802465-041002	Door-Locker 37.00 x 14.25 Shaker Style
802613-411010	Door, Locker, Planked coffee
14. 382213	Mechanism-Blum Lift O/V Door
15. 969931	Assembly, Radio Box
512831	Closet Light W/Plunger L.E.D. BLK
386404-01	Pull, Satin nickel
386404-02	Pull-Matte Gold
114810	Alum. Angle .50 X 1.00
104821	Support, Roof locker
382733	Plate-Mounting Door Blum HK-S
382734	Clip-Restriction Blum HK-S 100
802612-01	Edgebanding, Planked coffee, 5/8"
365386-01	Edgebanding, Linen, 5/8"

FURNITURE, LOUNGE

Entertainment Top, 33FB

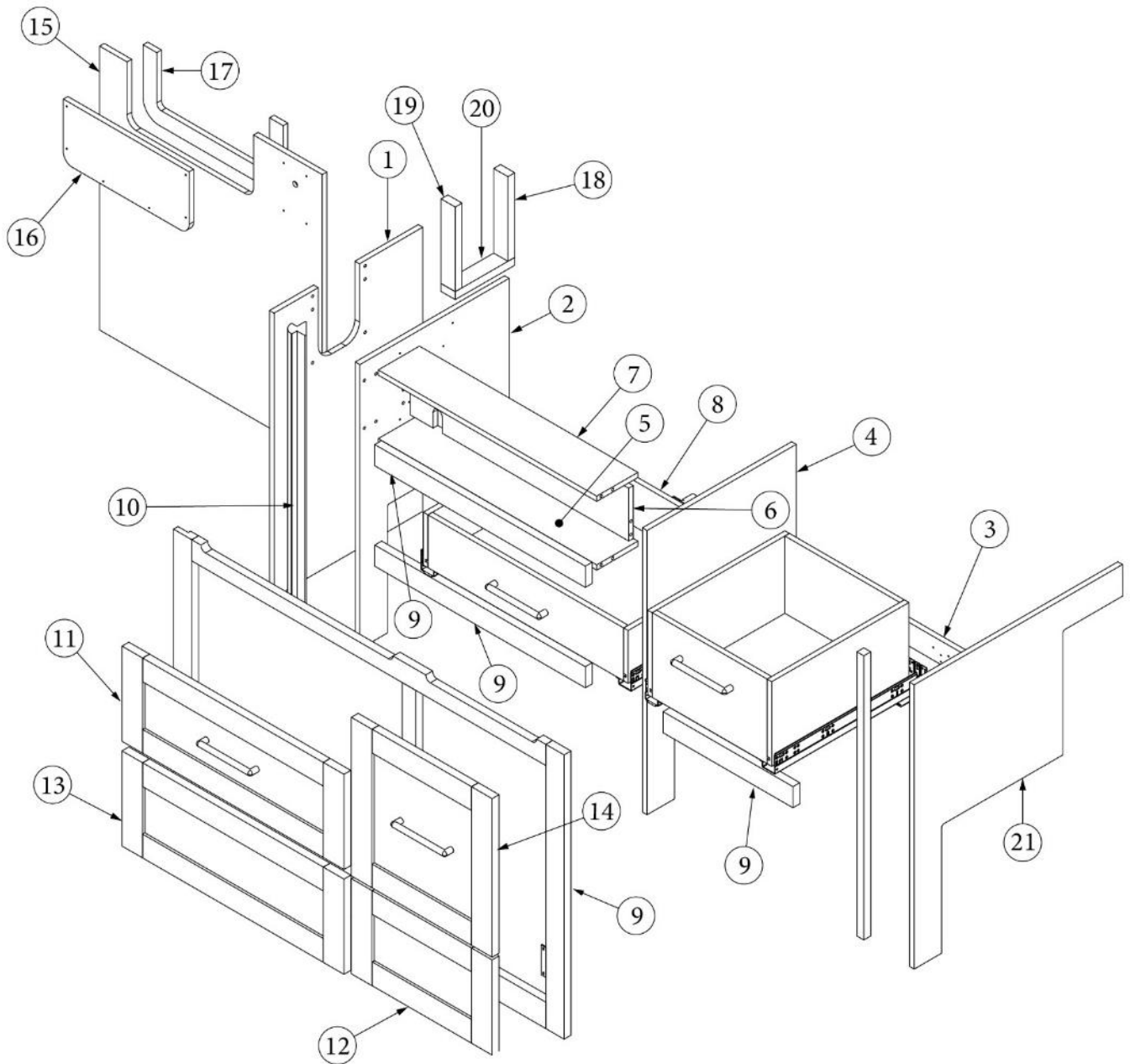


602652-03
602652-04

Top-Entertainment Corian Cosmos Prima
Top, Entertainment, Corian, Limestone

FURNITURE, LOUNGE

Entertainment Desk, 33FB



Parts Listed on Next Page

FURNITURE, LOUNGE

Entertainment Desk, 33FB

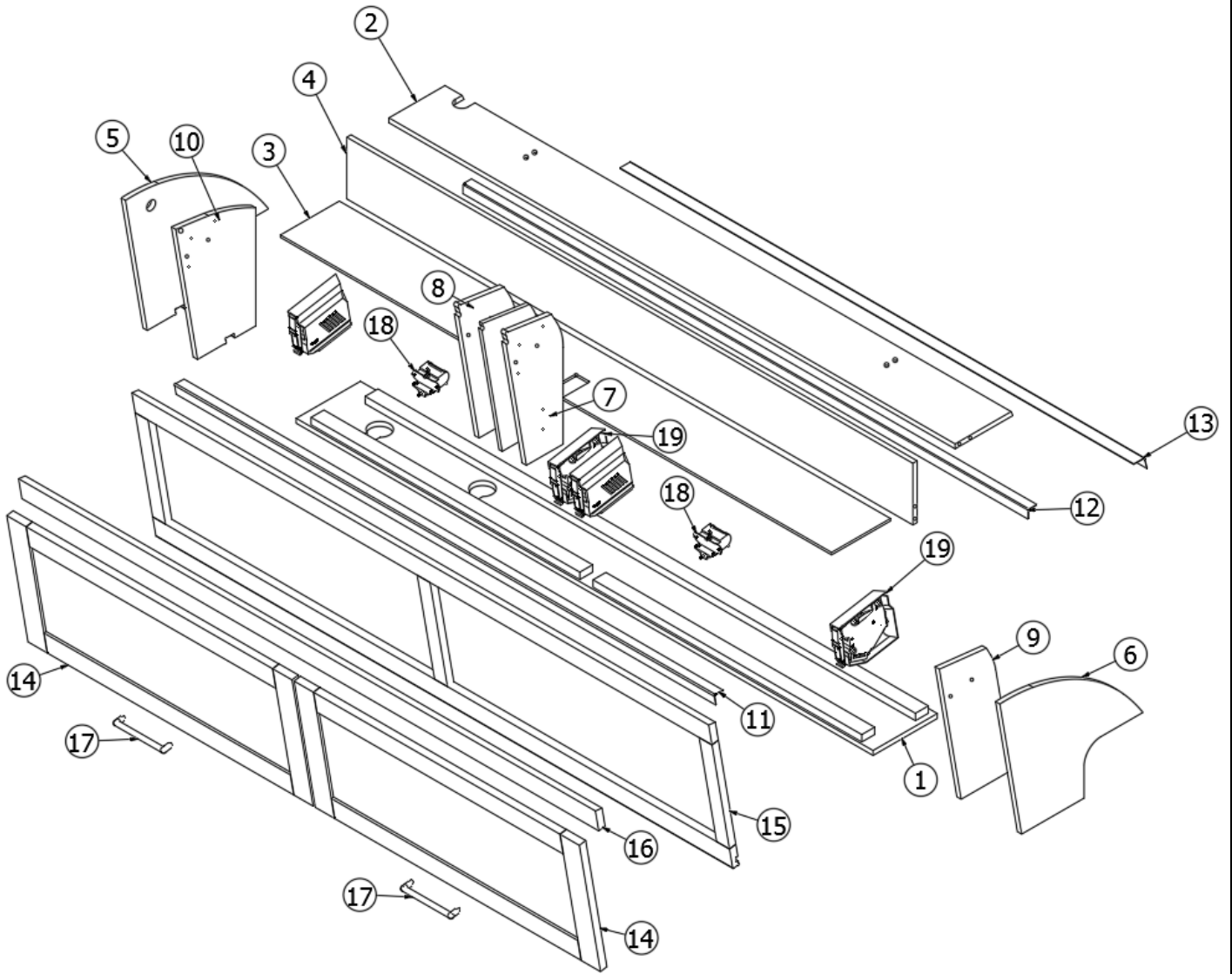
968547

Entertainment Desk

1. 968547&000112BB	Panel-Prelam 16.25 X 26.88
2. 968547&000312BB	Panel-Prelam 16.31 X 26.88
3. 968547&000412BB	Panel-Prelam 2.25 X 16.19
4. 968547&000512BB	Panel-Prelam 16.31 X 26.88
5. 968547&000612BB	Panel-Prelam 4.50 X 23.88
6. 968547&000712BB	Panel-Prelam 5.00 X 23.88
7. 968547&000812BB	Panel-Prelam 4.50 X 23.88
8. 968547&000912BB	Panel-Prelam 2.25 X 23.88
9. 802197-1002	Face Frame-Desk Large Linen
802197-1010	Face frame, Desk, Planked coffee
10. 801415-WH	Corner trim, 1" radius, Linen
801415-1010	Corner trim, 1" radius, Planked coffee
11. 802462-061002	Door/Drawer face, Linen, 24.25 x 9 x .75"
802613-201010	Door/Drawer face, Planked coffee
12. 802462-081002	Door/Drawer face, Linen, 15.38 x 15 x .75"
802613-221010	Door/Drawer face, Planked coffee
13. 802462-221002	Door/Drawer face, Linen, 24.25 x 9"
802613-361010	Door/Drawer face, Planked coffee
14. 802462-071002	Door/Drawer face, Linen, 15.38 x 15"
802613-211010	Door/Drawer face, Planked coffee
15. 968547&002312BE	Panel-Prelam 24.32 X 26.85
16. 968547&002412BE	Panel-Prelam 5.97 X 13.75
17. 968547&002512BE	Panel-Prelam 6.75 X 15.32
18. 968547&002818BB	Pre laminate, .75 x 1.55 x 8"
19. 968547&002918BB	Pre laminate, .75 x 1.55 x 8"
20. 968547&003018BB	Pre laminate, .75 x 1.55 x 6.5"
21. 968547&003112BB	Pre laminate, 22.8 x 26.88"
382253-02	Pull, Antique Silver, 5"
386404-01	Pull, Satin nickel
386404-02	Pull-Matte Gold
381228-02	Catch, Grabber door, 5LB
382807-07	Drawer slide, Self-close, 15"
382807-01	Fixing clip, Left front
382807-02	Fixing clip, Right front
382807-04	Bracket, Rear mount
704732-01	Chair-Desk Brisa Ash
704732-02	Chair-Desk Brisa Shiitake
704732-03	Chair, Desk, Wishbone

FURNITURE, LOUNGE

Roof Locker, Desk, 33FB



Parts Listed on Next Page

FURNITURE, LOUNGE

Roof Locker, Desk, 33FB

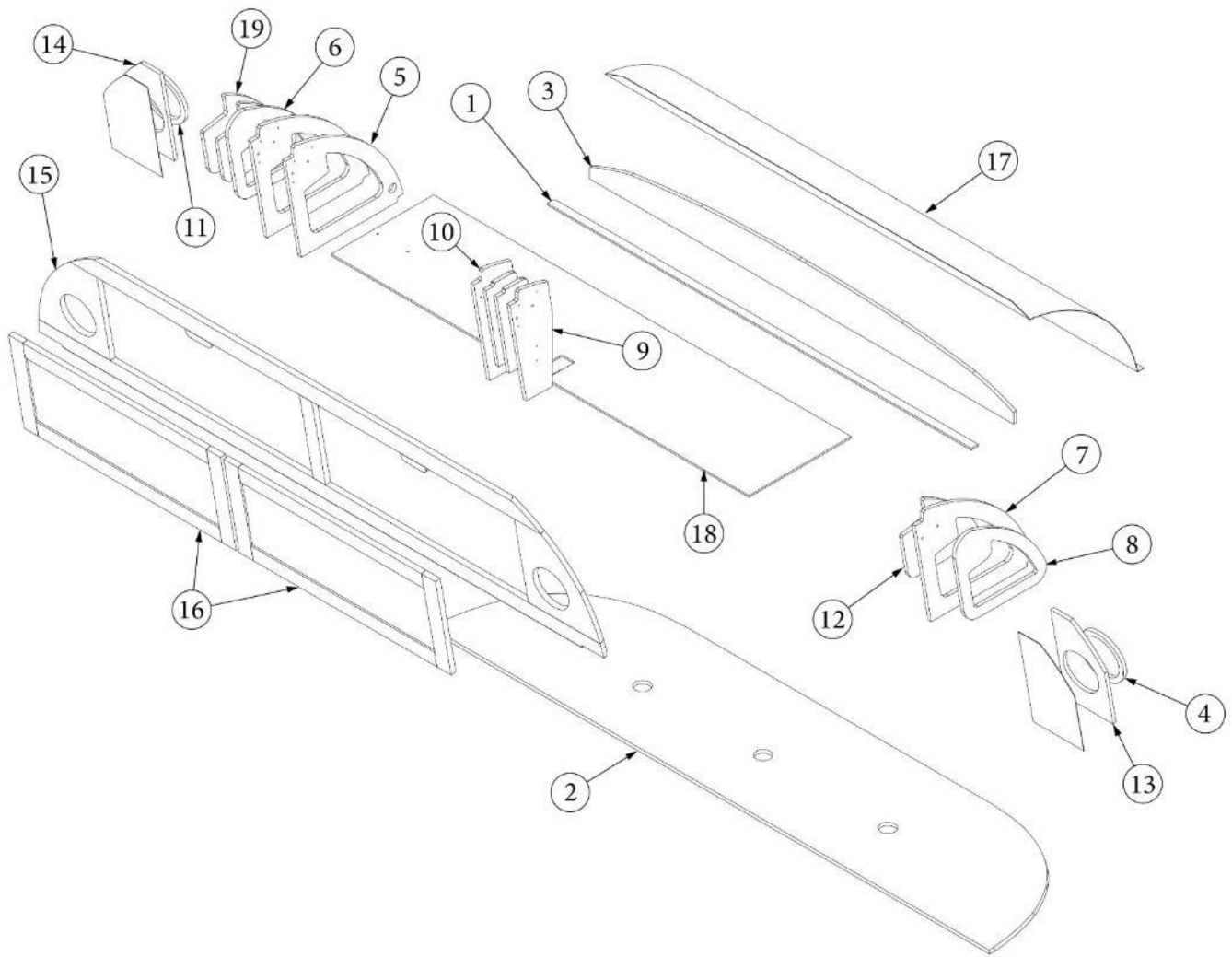
969321

Assy-Desk Locker

- | | |
|---|---|
| <ol style="list-style-type: none"> 1. 969321&000112BE 2. 969321&000212BB 3. 969321&000306BE 4. 969321&000412BB 5. 969321&000512BE 6. 969321&000612BE 7. 969321&000712BE 8. 969321&000812BE 9. 969321&000912BE 10. 969321&001012BE 11. 104821 12. 114812 13. 116134-08 14. 802465-031002
802613-401010 15. 802191-1002
802202-1010 16. 802487-021002
802487-021010 17. 386404-01
386404-02 18. 512831
802612-01
365386-01
382213
382733
382734 | <p>Pre Laminate- 0.50 X 7.50 X 67.35</p> <p>Pre Laminate- 0.50 X 6.75 X 66.10</p> <p>Pre Laminate- 0.25 X 6.88 X 64.35</p> <p>Pre Laminate- 0.50 X 6.25 X 66.10</p> <p>Pre Laminate- 0.50 X 18.00 X 15.50</p> <p>Pre Laminate- 0.50 X 18.00 X 15.50</p> <p>Pre Laminate- 0.50 X 8.50 X 15.00</p> <p>Pre Laminate- 0.50 X 8.50 X 15.00</p> <p>Pre Laminate- 0.50 X 10.00 X 14.50</p> <p>Pre Laminate- 0.50 X 10.00 X 15.00</p> <p>Support, Roof locker</p> <p>Alum. Angle 1" X 1 "X 12"</p> <p>Support-Locker 60.00"</p> <p>Door-Locker 33.30x14.25 Shaker Style</p> <p>Door/Drawer face, Planked coffee</p> <p>Face Frame-Roof Locker Linen</p> <p>Face frame, Roof locker, Planked coffee</p> <p>Face Frame-Desk Locker Header Linen</p> <p>Face frame, Desk locker header, Planked coffee</p> <p>Pull, Satin nickel</p> <p>Pull, Matte gold</p> <p>Closet Light W/Plunger L.E.D. BLK</p> <p>Edgebanding, Planked coffee, 5/8"</p> <p>Edgebanding, Linen, 5/8"</p> <p>Mechanism-Blum Lift O/V Door</p> <p>Plate-Mounting Door Blum HK-S</p> <p>Clip-Restriction Blum Hk-S 100 Degree</p> |
|---|---|

FURNITURE, LOUNGE

Roof Locker, Lounge, 30RB, 30RB CSA



Parts Listed on Next Page

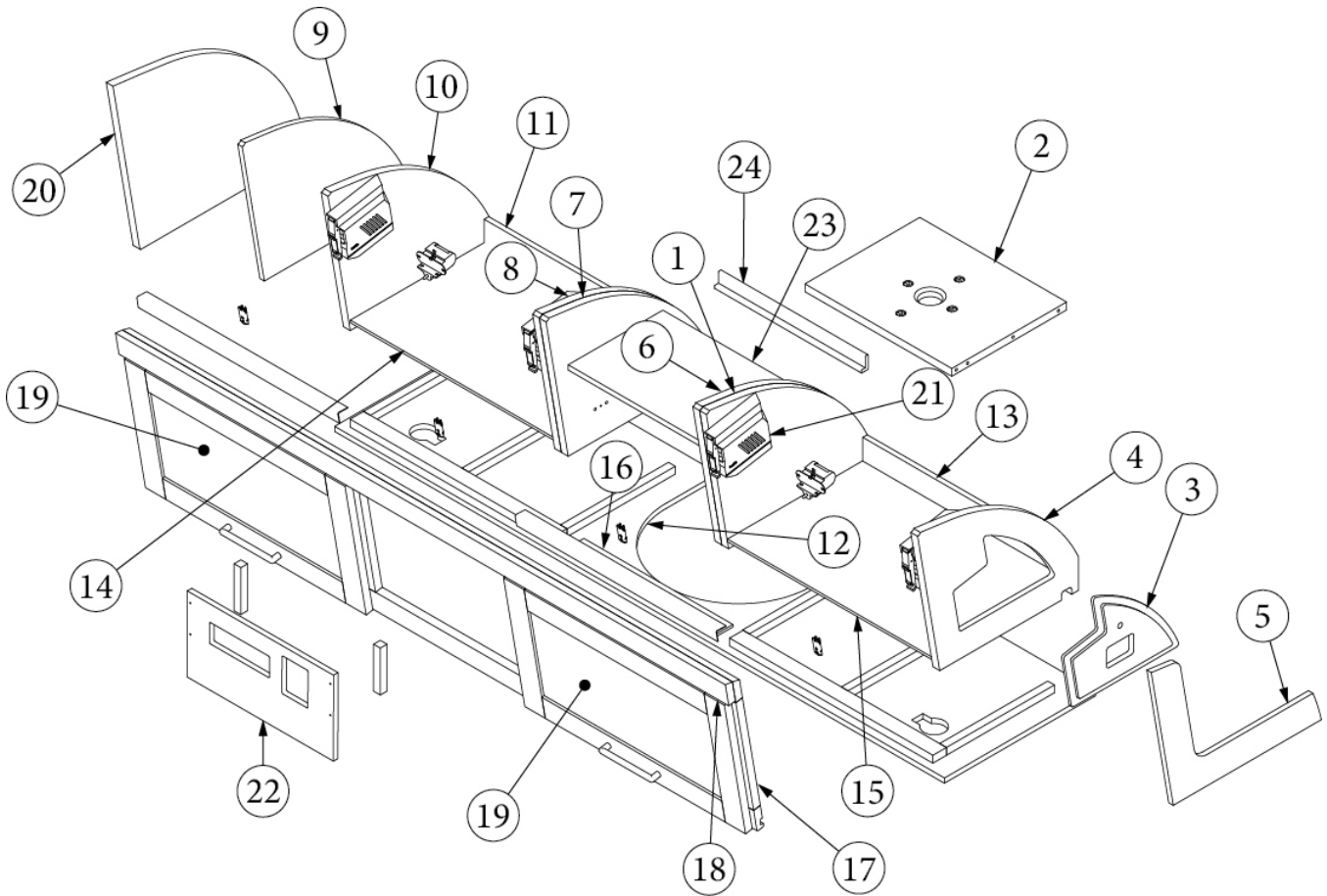
FURNITURE, LOUNGE

Roof Locker, Lounge, 30RB, 30RB CSA

969324-01	Roof Locker, Lounge
969324-06	Roof Locker, Lounge, CSA
1. 969324&010106BE	Pre Laminate- 0.25 X 1.13 X 67.38
2. 969324&010512BE	Pre Laminate- 0.50 X 89.00 X 20.50
3. 969324&010712BE	Pre Laminate- 0.50 X 6.13 X 67.38
4. 969324&010912BE	Pre Laminate- 0.50 X 8.00 X 8.00
5. 969324&011112BE	Pre laminate, .5 x 16 x 19"
6. 969324&011212BE	Pre Laminate- 0.50 X 12.50 X 15.00
7. 969324&011312BE	Pre Laminate- 0.50 X 16.00 X 19.00
8. 969324&011412BE	Pre Laminate- 0.50 X 12.50 X 15.00
9. 969324&011512BE	Pre Laminate- 0.50 X 16.00 X 8.00
10. 969324&011612BE	Pre Laminate- 0.50 X 16.00 X 8.00
11. 969324&011712BE	Pre Laminate- 0.50 X 8.00 X 8.00
12. 969324&011812BE	Pre Laminate- 0.50 X 11.00 X 13.00
13. 969324&011912BE	Pre Laminate- 0.50 X 8.00 X 13.75
14. 969324&012012BE	Pre Laminate- 0.50 X 8.00 X 13.75
15. 802482-1002	Face Frame-Endliner Shaker
802482-1010	Face frame, Endliner, Shaker, Planked coffee
16. 802465-061002	Locker door, Shaker, Linen, 33.75 x 14.25"
802613-431010	Locker door, Shaker, Planked coffee, 33.69 x 14.25"
17. 115644	Aluminum back
18. 969324&013906BE	Pre laminate, .25 x 16.25 x 66.38"
969324&060206BE	Pre laminate, .25 x 16.25 x 66.38", CSA Only
19. 969324&014012BE	Pre laminate, .5 x 11 x 13"
969324&061012BE	Pre laminate, .5 x 11 x 13", CSA Only
704308-01	Cloth-Speaker Grill - White
704308	Cloth, Speaker grill, Black
386404-01	Pull, Satin nickel
386404-02	Pull-Matte Gold
382733	Plate-Mounting Door Blum HK-S
116180	Locker Shroud
500132	Grommet 1" (1-3/16 Id) #2182
380041	Brace 1" Stanley Corner
512831	Closet Light W/Plunger L.E.D. BLK
382213	Mechanism-Blum Lift O/V Door
802612-01	Edgebanding, Planked coffee, 5/8"
365386-01	Edgebanding, Linen, 5/8"

FURNITURE, LOUNGE

Roof Locker, Lounge, Projector, 33FB



Parts Listed on Next Page

FURNITURE, LOUNGE

Roof Locker, Lounge, Projector, 33FB

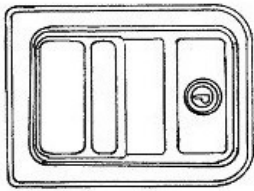
969933

Roof Locker, Projector

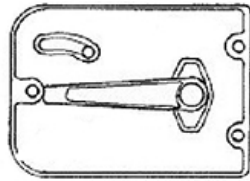
- | | | |
|-----|-----------------|---|
| 1. | 969933&000118BE | Pre laminate, .75 x 14.5 x 19" |
| 2. | 969933&000218BE | Pre laminate, .75 x 12.75 x 16.25" |
| 3. | 969933&000312BE | Pre laminate, .5 x 13.75 x 10.35" |
| 4. | 969933&000418BE | Pre laminate, .75 x 18.66 x 14.46" |
| 5. | 969933&000512BE | Pre laminate, .5 x 19.25 x 14.5" |
| 6. | 969933&000618BE | Pre laminate, .75 x 14.5 x 19" |
| 7. | 969933&000718BE | Pre laminate, .75 x 14.5 x 19" |
| 8. | 969933&000818BE | Pre laminate, .75 x 14.5 x 19" |
| 9. | 969933&000912BE | Pre laminate, .5 x 14.5 x 19" |
| 10. | 969933&001018BE | Pre laminate, .75 x 14.5 x 19" |
| 11. | 969933&001112BE | Pre laminate, .5 x 3.25 x 22.63" |
| 12. | 969933&001312BE | Pre laminate, .5 x 16.75 x 67.5" |
| 13. | 969933&001412BE | Pre laminate, .5 x 3.25 x 22.63' |
| 14. | 969933&001706BE | Pre laminate, .25 x 22.63 x 15" |
| 15. | 969933&001806BE | Pre laminate, .25 x 22.63 x 15" |
| 16. | 969933&001906BE | Pre laminate, .25 x 16.5 x 2" |
| 17. | 802626-1002 | Face frame, Linen |
| | 802626-1010 | Face frame, Planked coffee |
| 18. | 802487-061002 | Header, Face frame, Linen |
| | 802487-061010 | Header, Face frame, Planked coffee |
| 19. | 802465-081002 | Door, Locker, Linen, 24.44 x 13.75 x .75" |
| | 802613-471010 | Door, Locker, Planked coffee |
| 20. | 802480-1002 | End cap, Projector, Linen |
| | 802480-1010 | End cap, Projector, Planked coffee |
| 21. | 382213 | Mechanism, Blum Lift, O/V Door |
| | 382733 | Plate, Mounting Door Blum HK-S |
| | 382734 | 100-degree restriction clip |
| 22. | 969933&003312BE | Center Face, Media |
| 23. | 969933&001512BB | Pre laminate, .50 x 10.50 x 16.50 EB1-B01 |
| 24. | 801665-1002 | L-Molding, Door jamb, Linen |
| | 801665-1010 | L-Molding, Door jamb, Planked coffee |
| | 386404-01 | Pull, Satin nickel |
| | 386404-02 | Pull, Matte gold |
| | 512499-01 | TV antenna lead, Mini coax, RG58U, 48" |
| | 802612-01 | Edgebanding, Planked coffee, 5/8" |
| | 365386-01 | Edgebanding, Linen, 5/8" |

HARDWARE

Main Door Lock, LH, Old Style



1



2



3



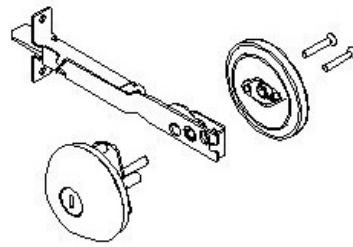
4



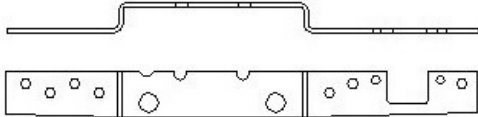
5



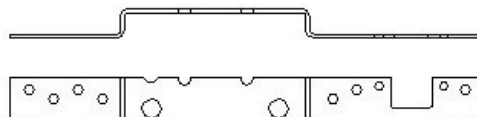
6



7



8

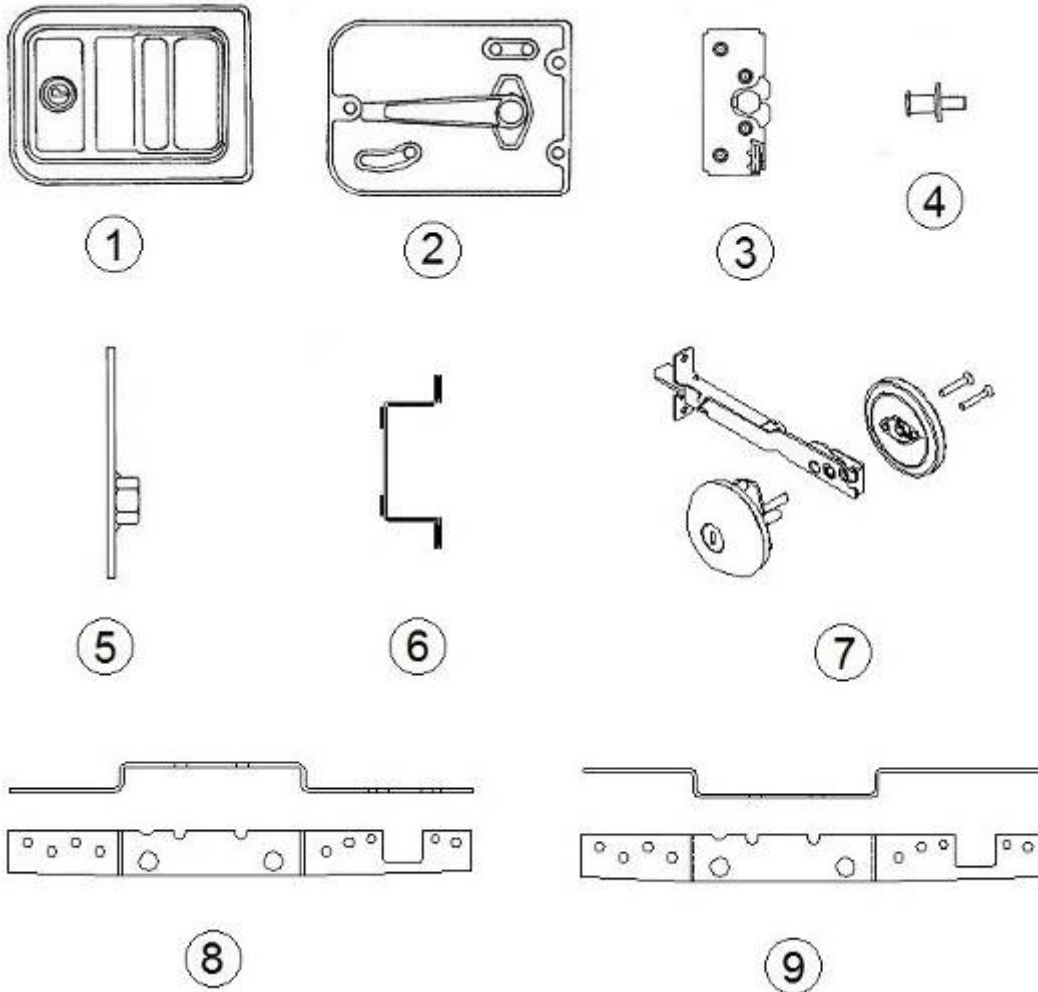


9

- | | |
|---|---|
| <p>1. 381547-01
 2. 381547-07
 3. 381547-03
 4. 381547-04
 5. 381550
 6. 115413
 7. 382069
 8. 382067
 9. 382066
 381547-08
 385595</p> | <p>Main door lock, Outside housing
 Main door lock, Inside plate
 Double rotary latch, Main door
 Striker bolt w/washer, Main door lock
 Plate, Striker bolt mounting
 Door hat section
 Deadbolt assembly, Round, Trimark
 Outer reinforcement plate, RH/LH hinged door
 Inner reinforcement plate, LH hinged door
 Screw package, Main door lock
 Pocket strike</p> |
|---|---|

HARDWARE

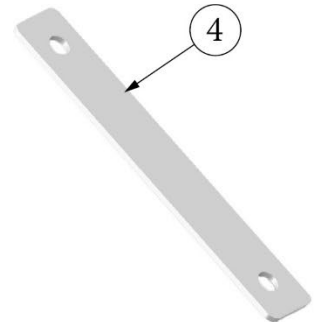
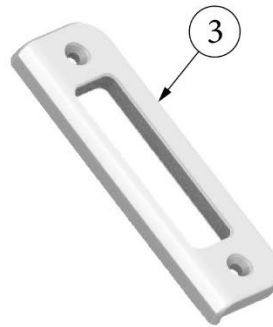
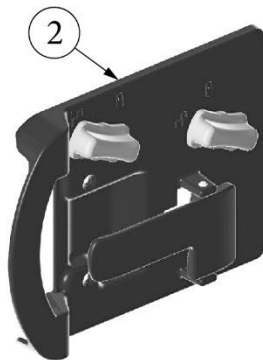
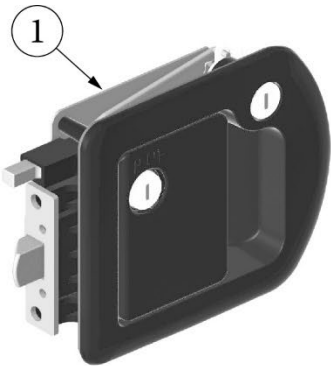
Main Door Lock, RH, Old Style



- | | |
|--------------|--|
| 1. 381547-09 | Main door lock, Outside housing |
| 2. 381547-11 | Main door lock, Inside plate |
| 3. 381547-10 | Double rotary latch, Main door lock |
| 4. 381547-04 | Striker bolt w/washer, Main door lock |
| 5. 381550 | Plate, Striker bolt |
| 6. 115413 | Door hat section |
| 7. 382069 | Deadbolt, Round, Trimark |
| 8. 382067 | Outer reinforcement plate, RH/LH hinged door |
| 9. 382068 | Inner reinforcement plate, RH hinged door |
| 381547-08 | Screw package, Main door lock |
| 385595 | Pocket strike |

HARDWARE

Main Door Lock, New Style



1. 383017-01
2. 383017-02
- 383017-03
3. 116274
4. 116509
- 382122

- Outer Latch Assembly, W/Deadbolt
- Inner Latch Assembly, W/Deadbolt
- Screw Kit, Inside Handle Mounting
- Striker Catch, Main Door
- Backer Plate, Striker Catch, Main Door
- Key chain, Airstream logo

HARDWARE

Exterior Latches, Locks, and Handles



Parts Listed on Next Page

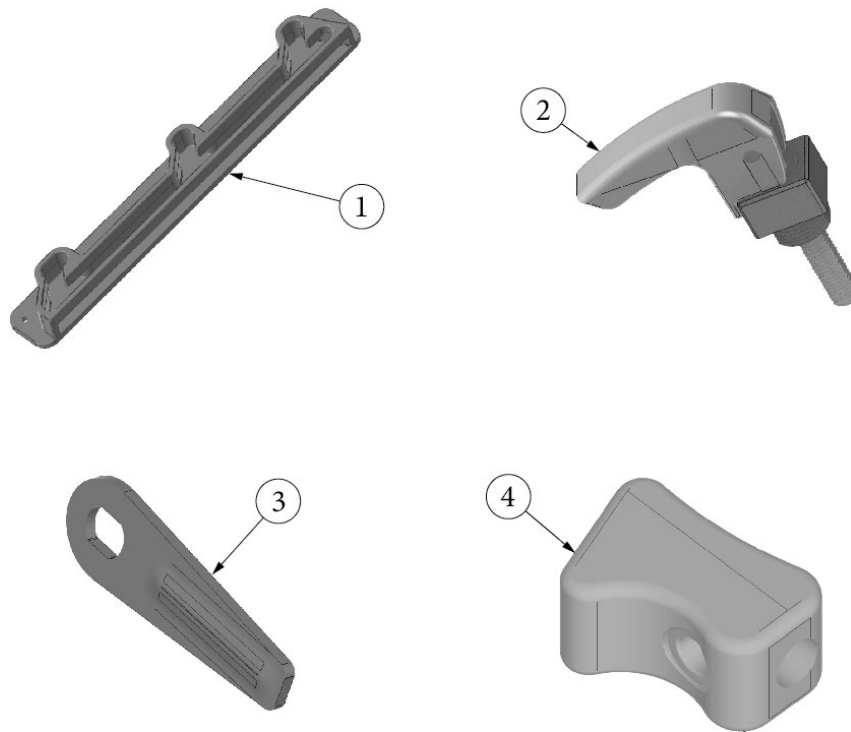
HARDWARE

Exterior Latches, Locks, and Handles

1. 382230-03 Compression latch, Locking
2. 381021-01 T-handle, Rubber
3. 201056 Catch, Main door holdback
- 203620 Spacer, Striker, Main Door Hold-Back
4. 383024 Latch, Screen Door, RH
- 383025 Latch, Screen Door, LH
- 383026 Striker Plate, Screen Door
5. 511344-05 Grab handle, Clear swirl handle w/Blue LED bulb
6. 386559 Cam lock
- 386564-01 Lock Cylinder, Cam, 1.25"
7. 380004 Handle, Screen door
8. 380291 Main door holdback
9. 380290 Latch housing, Main door holdback
10. 382456 Swell latch
11. 380024 Support arm, Bumper Lid
12. 382562 Latch, Rubber
13. 382562-01 Keeper, Rubber latch
14. 685359 Rubber receptacle, 1/4 turn latch, Southco
15. 685358 Stud, 1/4 turn latch, Southco
16. 685362 Retaining ring, 1/4 turn stud

HARDWARE

Windows Hardware



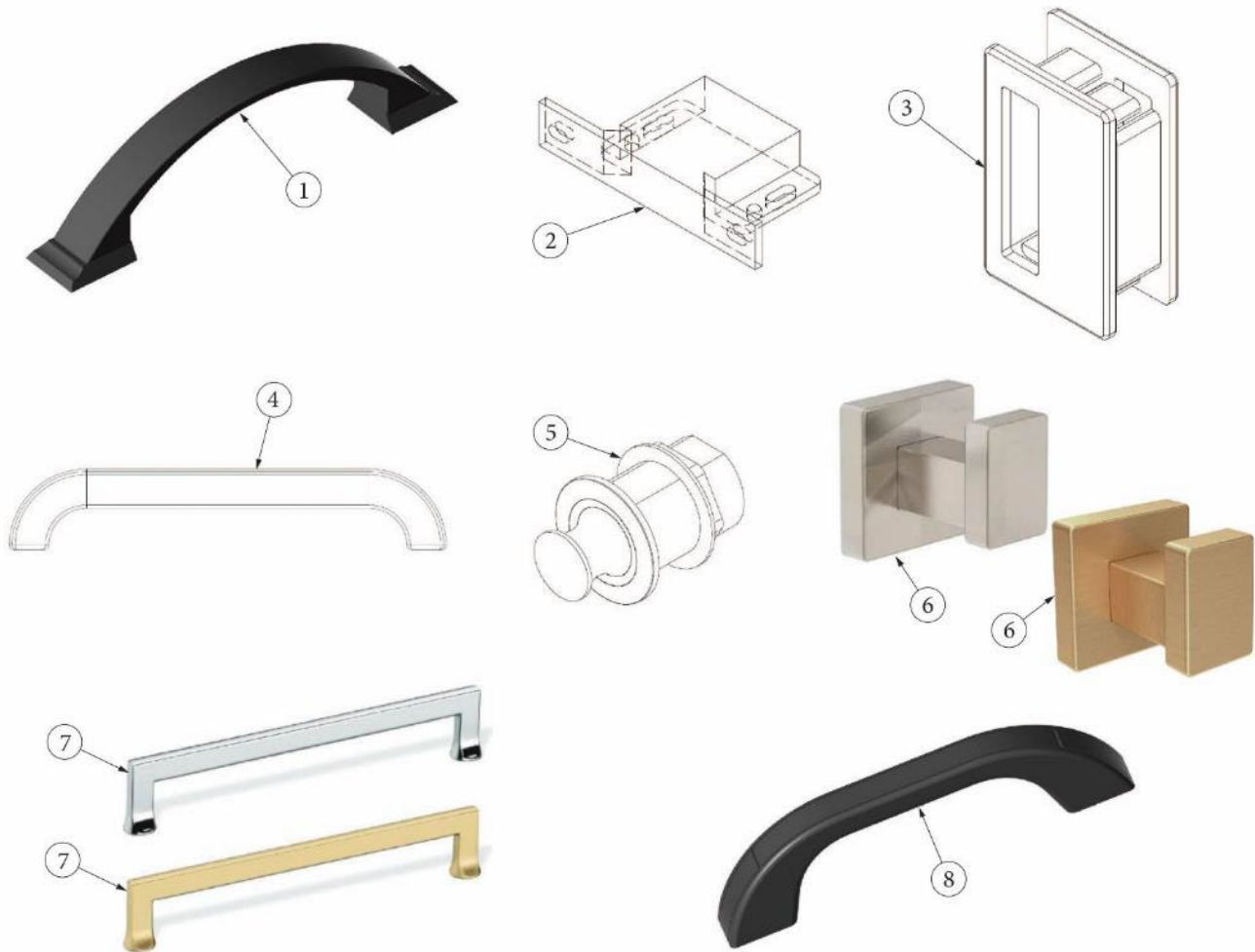
- | | |
|--------------|---------------------------------|
| 1. 382360 | Window guide, RH |
| 382359 | Window guide, LH |
| 2. 382367-01 | Lower window latch, Chrome |
| 382367-02 | Lower window latch w/Red handle |
| 3. 115776 | Lock paw, Window latch assembly |
| 4. 380230-03 | Knob, Window arm, Silver |
| 380230-04 | Knob, Window arm, Red |
| 382116-03 | Cap-Screw Rubber 5/32 X .5' |

Hinges

- | | |
|-----------|-------------------------------------|
| 381552-03 | Hinge, Main door, Upper |
| 381552-04 | Hinge, Main door, Lower |
| 381531-01 | Hinge, Screen door, Upper |
| 381531-02 | Hinge, Screen door, Lower |
| 380988 | Hinge, Continuous |
| 380203-01 | Piano hinge, 1/8", Clear Anodized |
| 380203-02 | Piano hinge, 72", Black Anodized |
| 381605-03 | Piano hinge, Wrap protectors |
| 382238 | Hinge, Compact, Steel Nickel Plated |
| 114749 | Y-hinge, Rockguard |
| 114750 | J-hinge, Rockguard |

HARDWARE

Interior Latches and Handles



- | | |
|--------------|---|
| 1. 382253-02 | Pull, Antique Silver, 5" |
| 2. 381228 | Catch, Grabber door, 10LB |
| 381228-02 | Catch, Grabber door, 5LB |
| 3. 382343 | Recessed door handle kit |
| 4. 382194 | Head knocker, White, Interior door jamb |
| 5. 382449-01 | Knob- Push/Pull Satin Chrome |
| 6. 382732 | Hook, Robe Brushed Bronze |
| 382732-02 | Hook, Robe, Satin nickel |
| 7. 386404-01 | Pull, Satin nickel |
| 386404-02 | Pull, Matte gold |
| 8. 381737-02 | Handle assist, Molded, Black |

HARDWARE

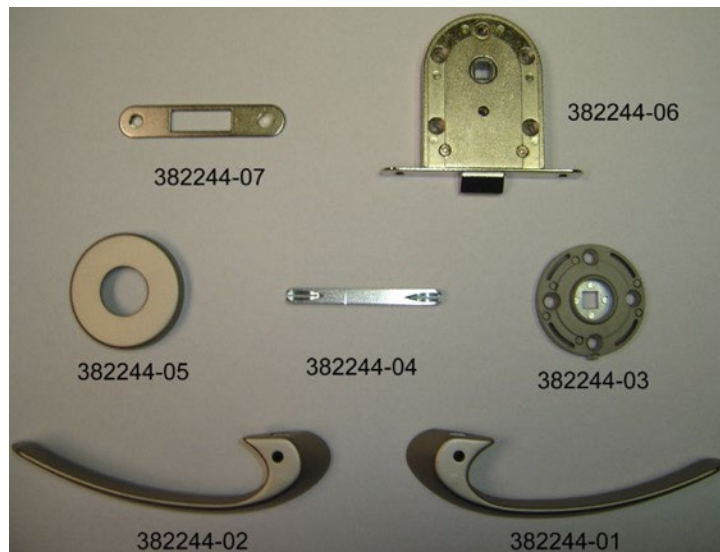
Pocket Door Hardware



- | | |
|--------------|-----------------------|
| 1. 382444-01 | Pocket door edge pull |
| 2. 382444-02 | Track, 36" |
| 3. 382444-03 | Roller hardware kit |
| 4. 382444-04 | Track stop |

HARDWARE

Bath Door Hardware



382244	Bath door latch kit
382244-01	Door handle, Right, Never nickel
382244-02	Door handle, Left, Never nickel
382244-03	Rosette, Never nickel
382244-04	Spindle
382244-05	Cover, Never nickel
382244-06	Door latch, Matte nickel
382244-07	Striker plate, Matte nickel

HARDWARE

Bath Accessories

382259	Recessed toilet paper holder
600594-01	Drain, Sink with plug
602541-14	Towel bar, Alde
455092	Cover plate, Towel bar, Stainless Steel
382732	Hook-Robe Brushed Bronze
382732-02	Hook, Robe, Satin nickel

Shower Accessories

602401	Valve, Rite-temp, 1/2" pressure balance
602675	Hand shower, Brushed Nickel, Oxygenics
602404	Elbow, Wall mount, Brushed Nickel
602640-01	Valve, Trim Kit, Alteo, Brushed Nickel (Shower)
602403	Hose, 60", Brushed Nickel
602405	Shower slide bar, 24"

Wardrobe Cabinets

380045	Clothes rod
200975-04	Conduit, Flexible, Black
380046	Bracket, Clothes rod end, Chrome flange

Waste Basket

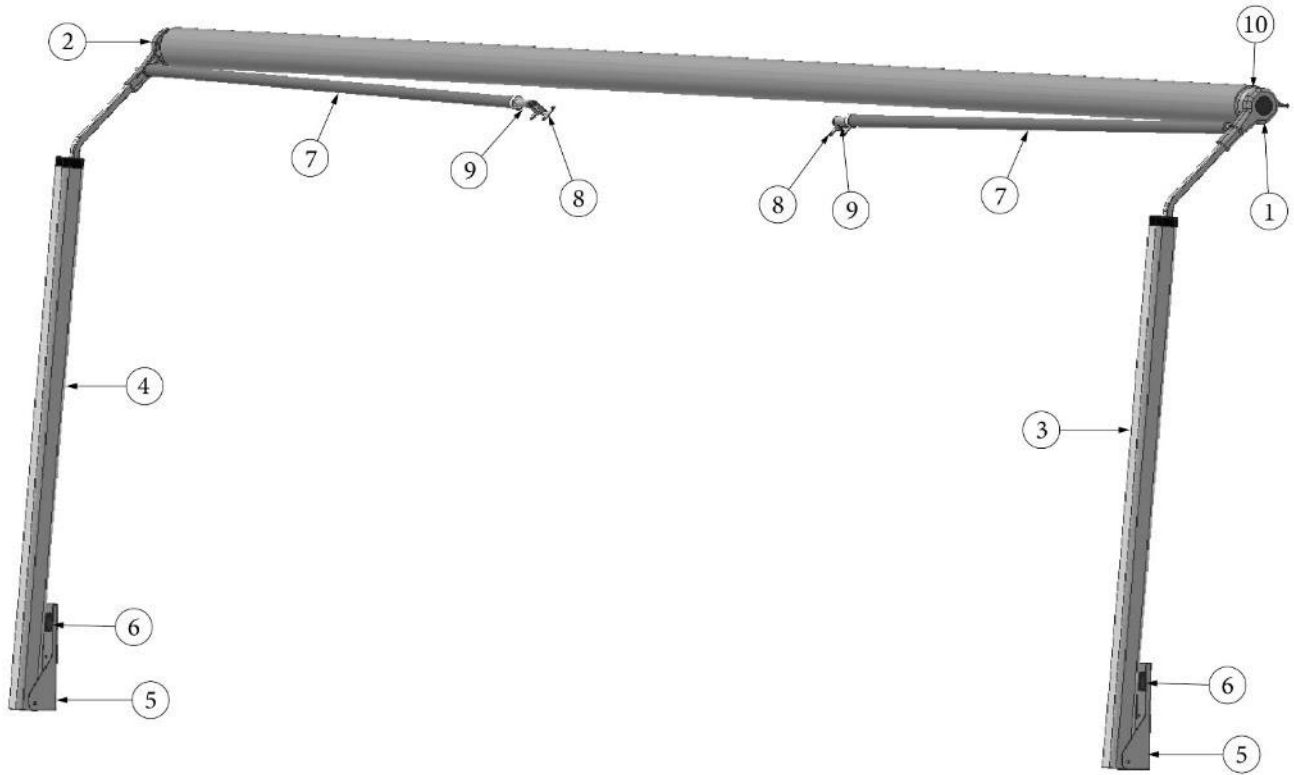
381708	Waste basket, 11.38 x 8.25 x 12
--------	---------------------------------

Alde Hardware

115722-01	Bracket, Wall mount expansion tank
115722-02	Bracket, Expansion tank
115723-01	Bracket, Alde convector cover, Top, 61.25"
115723-02	Bracket, Alde convector cover, Top, 62.25"
115724-01	Bracket, Alde convector cover, Bottom, 61.25"
115724-02	Bracket, Alde convector cover, Bottom, 62.25"
115782	Bracket, Convector cover, Headboard
115792	Bracket, Convector cover, Galley
923734-01	Convector, Sofa
923734-2	Convector Vent, Sofa
114070	Extrusion, J-Trim, Aluminum

HARDWARE

Awning Hardware, Power Awning



704825-01

Awning Hardware Kit

704049-111

Head casting, Front

704049-110

Head casting, Rear

704049-100

Arm assembly, Front

704049-101

Arm assembly, Rear

704049-102

Hinge assembly

704049-115

Tubus Bumper, 6mm mount hole

704049-108

Gas rafter assembly

704049-108B

Bracket, New style

704049-114

Universal joint

704049-106

Motor assembly, w/Drive adapter

704049-119

Control board, Wired w/enclosure

704049-109

Control board only, Wired

704049-116

Spring change

704049-112

Emergency kit, Power awning

704049-113

Hex head tool

512649-02

Ethernet patch cable, Cat5e, 2'

HARDWARE

Awning Hardware, Other

73376W	Travel latch, Window awning
73376W-100	Loop only, Travel latch
74041W-01	Pull rod, 52"
74095W	Head casting, Window awning
74097W	Support arm, Window awning
74105W	Strap hook, Window
74108W	Spring, Window awning, 2-1/4"
74109W	Spring, Window awning, 2-1/2"
74094W	Idle end assembly
74055W	Base hinge, Triangular
74055W-01	Base hinge, Rectangular
74001W-02	Awning Tube, 2-1/2"
74001W-03	Awning Tube, 2-1/4"

HARDWARE

Rivets

325001-01	Rivet, 1/8" x 5/16", Anodized Clear
325002-01	Rivet, 1/8" x 3/8", Anodized Clear
325004-01	Rivet, 1/8" x 1/2", Anodized Clear
325103-01	Rivet, Pop, 3/16", Anodized Clear
330155	Rivet, .125", Aluminum w/Stainless Steel mandrel
330127-05	Rivet, 1/8", AD45ABS
330126-02	Rivet, Pop, SSD43SSBS
330126-03	Rivet, Pop, SSD44SSBS

Screws

320116-02	Screw, #8 x 1/2", Phillips, Black
345558	Screw, #8-32 x .5, Phillips, Black, Windows
345473	Screw, #6 x .75, Self-drilling, Taillights
345073-08	Screw, .25-20 x 1.375, Philips, Wafer HD, Floor
320166-01	Screw, #8 x .50, Phillips Zinc plated
320005	Screw, Sheet metal, 8 x 1BH
320035-01	Screw, Pan, Philips #8 x 5/8"
320229	Screw, Phillips, #8-32 x 3/8"
320111	Screw, Philips, #8 x 3/4"
345418	Screw, #6 x .75"
320214	Screw, Plastic tap, #8 x 3/4"
345355	Screw, #8 x 3/4", Philips
345181	Screw 1/4-14 x 2" self-tapping

SAFETY EQUIPMENT

Detectors and Fire Extinguishers

510781	Smoke detector
513796	Detector, LP/CO
690381-02	Fire extinguisher
690381-100	Strap for bracket, Fire extinguisher

LABELS AND TAGS

Labels and Tags

386123	Label, potable water only
386159	Label, Flat screen TV
386192	Hang tag, smoke/CO detector
386193	Label, wheel torque warning
386226	Label, RV master weight
386250	Label, LPG Service Port
386267-01	Label, Front power awning cable
386267-02	Label, Rear power awning cable
386284	Label, Warning-Do not use a dolly wheel
386301	Warning label, Window Glass
386302	Label, Cooktop
386303	Warning label, Surface Cleaning
386369	Warning label, Trailers
386396	Label, Tire carrier warning
386477	Label, Solar prewire
365423	Tag, Jack hang
385062	Decal, 110-125 voltage AC
385359	Label, microwave, or air-conditioner
385465	Exit label, English
385521	Label, emergency egress window
385560	Label, air-conditioner rating
385837	Label, refrigeration ignition
385941	Label, Wastewater holding tank
385942	Label, Sewage holding tank
385943	Label, Cap must be in place
386012	Label, Warning, Water heater
386098	Label Fuse, 12V
386110	Label, OK to ship, Inspected
386118	Label, LP gas, tri-warning
386119	Label, do not store combustible
386120	Label, smoke alarm warning
386121	Label, "if you smell gas"
386122	Label, comfort heating
386114	Label, RVIA, silver
385101	Tag, aux., dump valve
385099	Tag, Black tank dump
385020	Sticker, self-adhering, jack placement
365477	Decal, Black Tank Flush
365478	Decal, City Water Inlet
1300-0001	Label, Exit Pull to Remove with Arrow

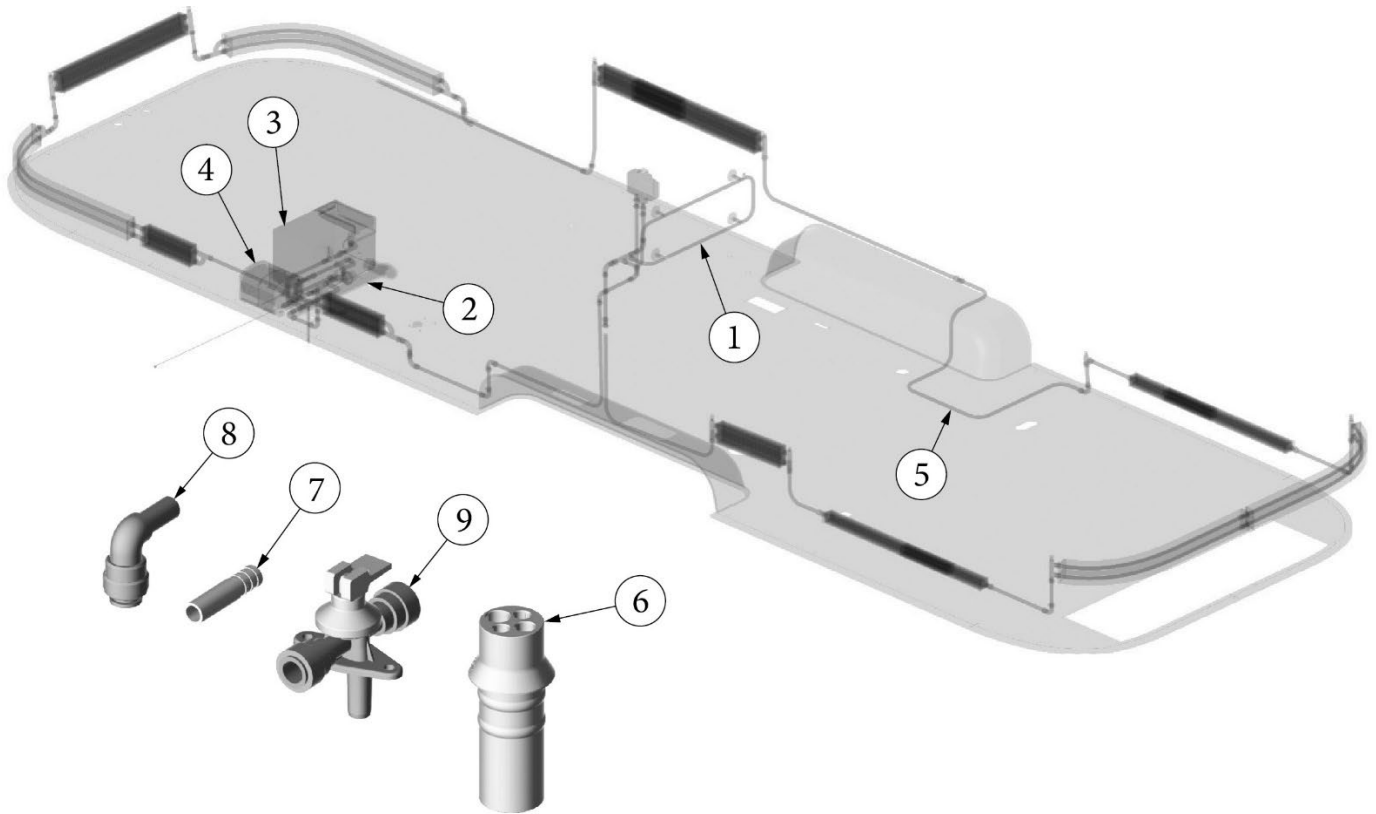
LABELS AND TAGS

Labels and Tags, CSA

386148	CSA Warning Labels Sheet
385949	Label, potable water
385950	Label, smoke detector
385951	Label, range fresh air
385952	Label, LP warning
385953	Label, if you smell gas
386120	Label, Smoke Alarm Warning
386118	Label, LP Gas Tri-Warning
386121	Label, "If You Smell Gas"
386122	Label, "Comfort Heating"
386192	Hang Tag, Battery, Smoke Detector
365423	Hang Tag, Hitch Jack
365477	Decal, Black Tank Flush
365478	Decal, City Water Inlet
1300-0001	Label, Exit Pull to Remove with Arrow

PLUMBING, HEATING SYSTEM

Alde System, Queen, 30RB



Parts Listed on Next Page

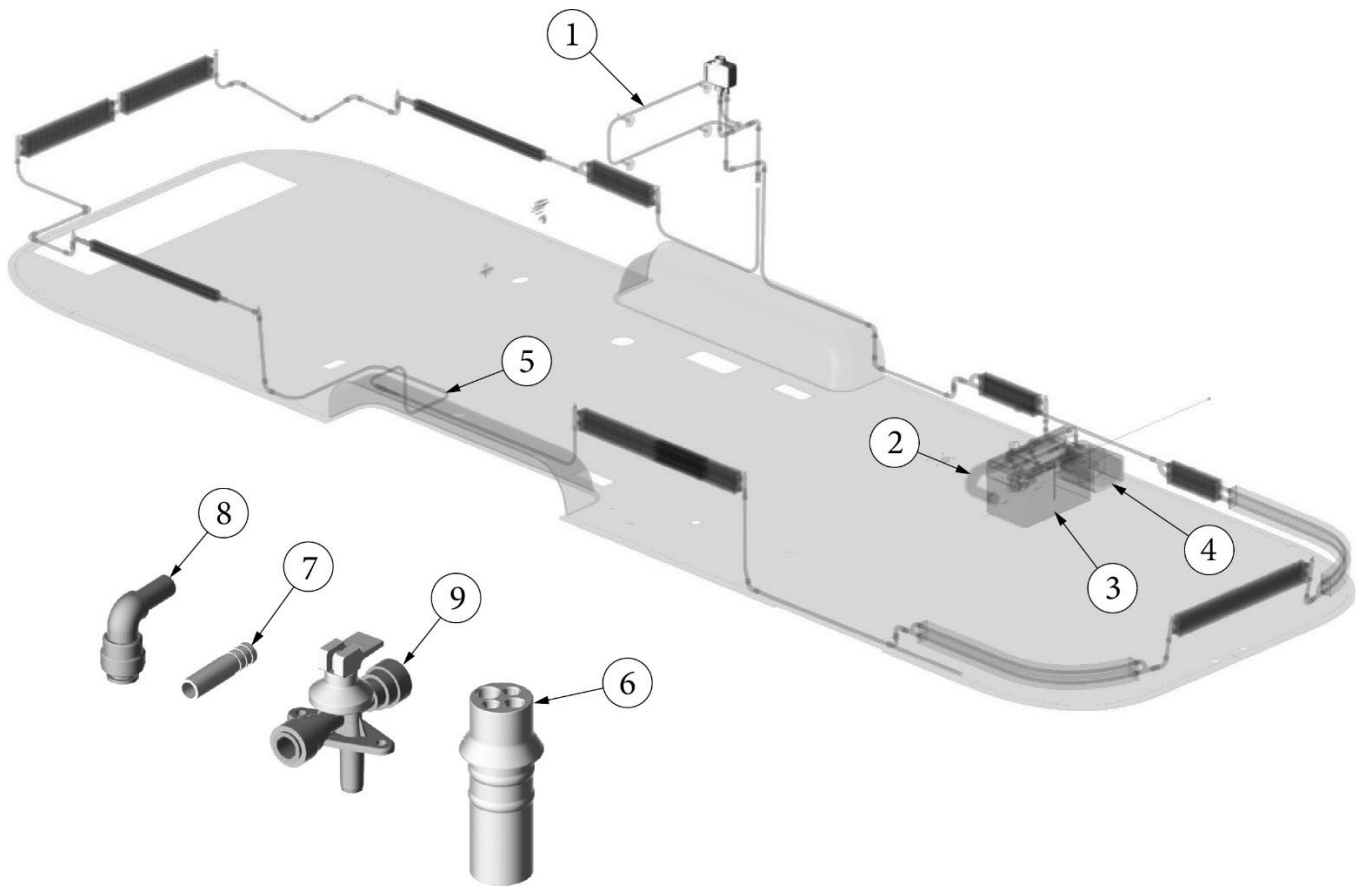
PLUMBING, HEATING SYSTEM

Alde System, Queen, 30RB

943938-01	Alde System Install, Queen
1. 602541-14	Alde towel bar
2. 602541-15	Alde insulation hose
3. 602541-46	Alde Boiler, 3020, heater w/pump
4. 602541-47	Alde flow system
5. 602562-01	Alde pipe, Shower floor warmer
6. 602541-27	Floor inlet
7. 602541-36	Adapter
8. 602541-41	Swivel connecter
9. 602541-31	Safety drain valve
340085-06	Loop clamp, Steel w/rubber
602541-42	Load Limiter
602541-43	Alde control panel
602541-44	3020 Control Cable, 9 Meter
602541-45	Option board
602541-22	Remote sensor
602541-23	flue cap, Medium Grey
602541-24	Connection Cable
602541-29	Wall flue
602541-48	Battery Backup, AA
602541-59	Alde high temp mixing valve
602541-02	Aluminum Pipe, Alde, 36"
602541-04	Alde Rubber Joint, w/Clips
602541-09	Alde Rubber Joint, w/Clips, 90 Degree
602541-28	Alde Inline F-Joint, w/Clips
923734-01	Convactor, Sofa
923734-2	Convactor Vent, Sofa
114070	Extrusion, J-Trim, Aluminum
360371	Alde Glycol fluid, USA only – 55 Gallon Drum
360371-201C	Glycol fluid, New formula, 5 gallon
360371-301C	Glycol fluid, New formula, 1 gallon

PLUMBING, HEATING SYSTEM

Alde System, Twin, 30RB



Parts Listed on Next Page

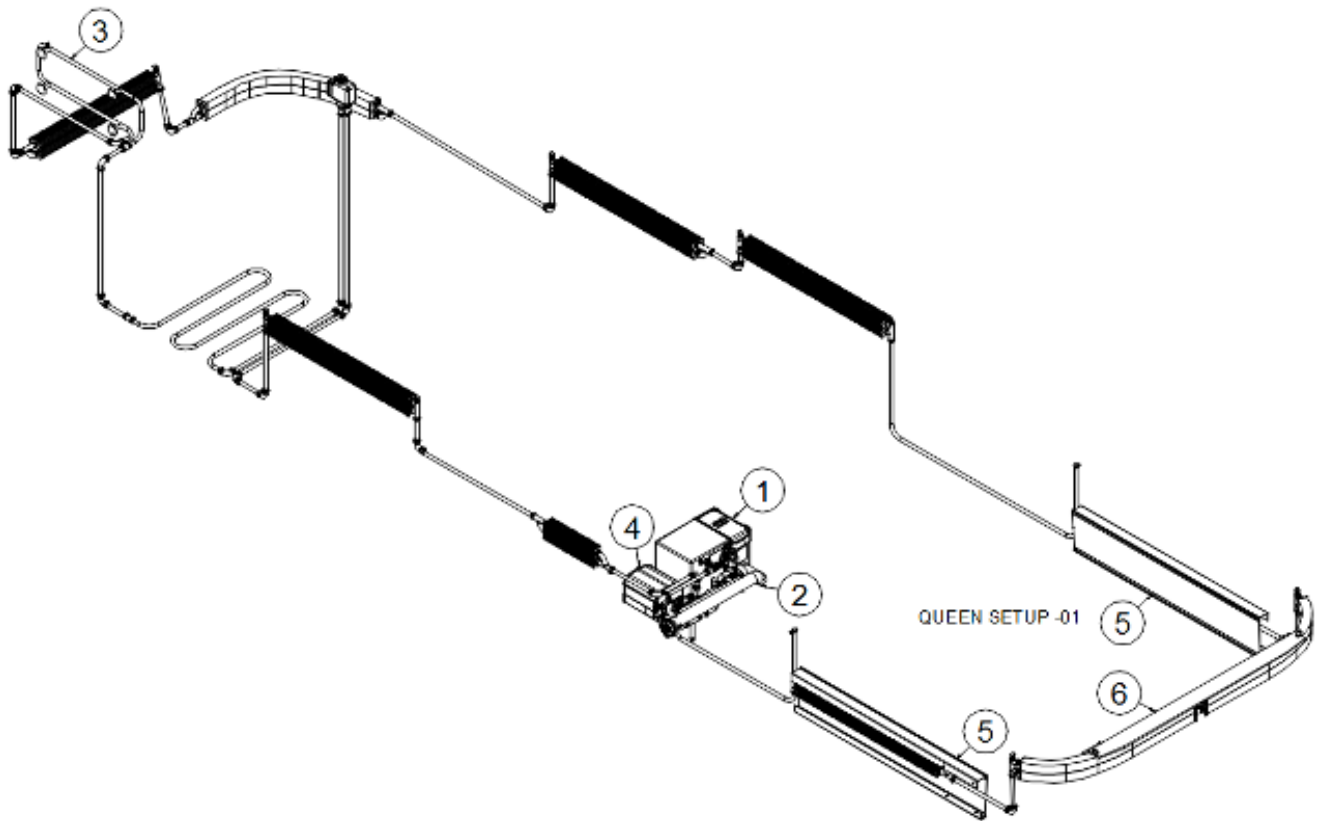
PLUMBING, HEATING SYSTEM

Alde System, Twin, 30RB

943938-02	Alde System Install, Twin
1. 602541-14	Alde towel bar
2. 602541-15	Alde insulation hose
3. 602541-46	Alde Boiler, 3020, heater w/pump
4. 602541-47	Alde flow system
5. 602562-01	Alde pipe, Shower floor warmer
6. 602541-27	Floor inlet
7. 602541-36	Adapter
8. 602541-41	Swivel connecter
9. 602541-31	Safety drain valve
340085-06	Loop clamp, Steel w/rubber
602541-42	Load Limiter
602541-43	Alde control panel
602541-44	3020 Control Cable, 9 Meter
602541-45	Option board
602541-22	Remote sensor
602541-23	flue cap, Medium Grey
602541-24	Connection Cable
602541-29	Wall flue
602541-48	Battery Backup, AA
602541-59	Alde high temp mixing valve
602541-02	Aluminum Pipe, Alde, 36"
602541-04	Alde Rubber Joint, w/Clips
602541-09	Alde Rubber Joint, w/Clips, 90 Degree
602541-28	Alde Inline F-Joint, w/Clips
923734-01	Convactor, Sofa
923734-2	Convactor Vent, Sofa
114070	Extrusion, J-Trim, Aluminum
360371	Alde Glycol fluid, USA only – 55 Gallon Drum
360371-201C	Glycol fluid, New formula, 5 gallon
360371-301C	Glycol fluid, New formula, 1 gallon

PLUMBING, HEATING SYSTEM

Alde System, Queen, 33FB



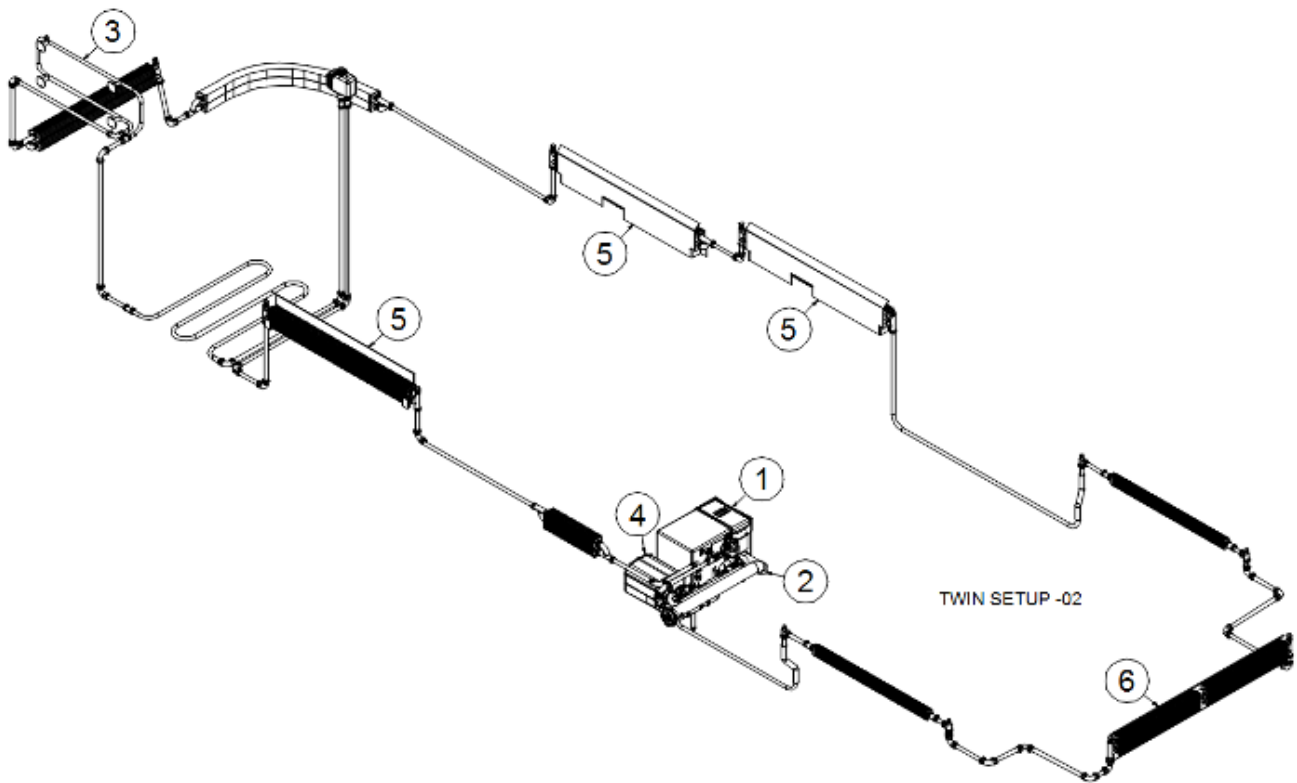
943939-01

Alde System Install, Queen

- | | |
|--------------|--|
| 1. 602541-46 | Alde 3020 heater w/pump |
| 2. 602541-15 | Alde insulation hose |
| 3. 602541-14 | Alde towel bar |
| 4. 602541-47 | Alde flow system |
| 5. 968404-02 | Alde convector cover |
| 6. 968415 | Convector cover, Bedroom |
| 602541-43 | Alde control panel |
| 602541-45 | Option board |
| 602541-22 | Remote sensor |
| 602541-23 | flue cap, Medium Grey |
| 602541-27 | Floor inlet |
| 602541-29 | Wall flue |
| 602541-59 | Alde high temp mixing valve |
| 602541-31 | Safety drain valve |
| 602541-36 | Adapter |
| 360371 | Alde Glycol fluid, USA only – 55 Gallon Drum |
| 360371-201C | Glycol fluid, New formula, 5 gallon |
| 360371-301C | Glycol fluid, New formula, 1 gallon |

PLUMBING, HEATING SYSTEM

Alde System, Twin, 33FB



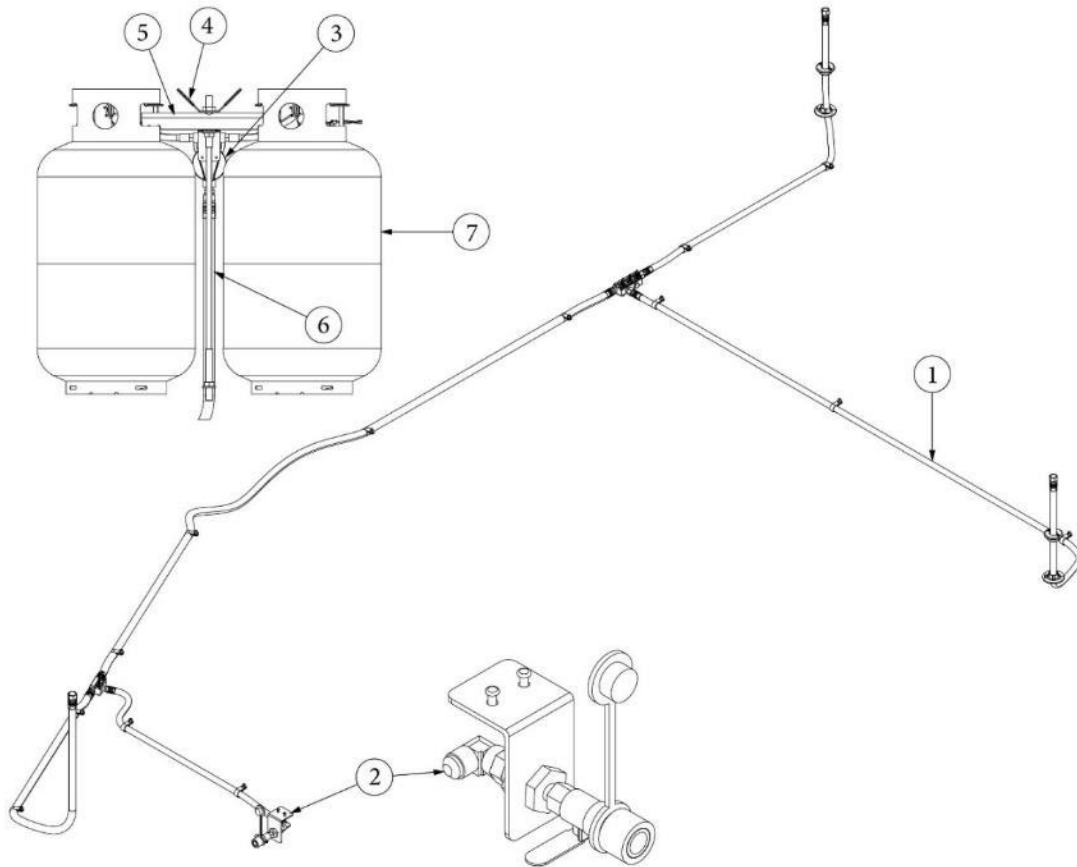
943939-02

Alde System Install, Twin

- | | |
|--------------|--|
| 1. 602541-46 | Alde 3020 heater w/pump |
| 2. 602541-15 | Alde insulation hose |
| 3. 602541-14 | Alde towel bar |
| 4. 602541-47 | Alde flow system |
| 5. 115792 | Bracket, Convector cover galley |
| 6. 115782 | Bracket, Convector cover, Headboard |
| 340085-06 | Loop clamp, Steel w/rubber |
| 602541-43 | Alde control panel |
| 602541-45 | Option board |
| 602541-22 | Remote sensor |
| 602541-23 | flue cap, Medium Grey |
| 602541-27 | Floor inlet |
| 602541-29 | Wall flue |
| 602541-59 | Alde high temp mixing valve |
| 602541-31 | Safety drain valve |
| 602541-36 | Adapter |
| 360371 | Alde Glycol fluid, USA only – 55 Gallon Drum |
| 360371-201C | Glycol fluid, New formula, 5 gallon |
| 360371-301C | Glycol fluid, New formula, 1 gallon |

PLUMBING, LPG SYSTEM

LPG System, 30RB



113647
113718-03

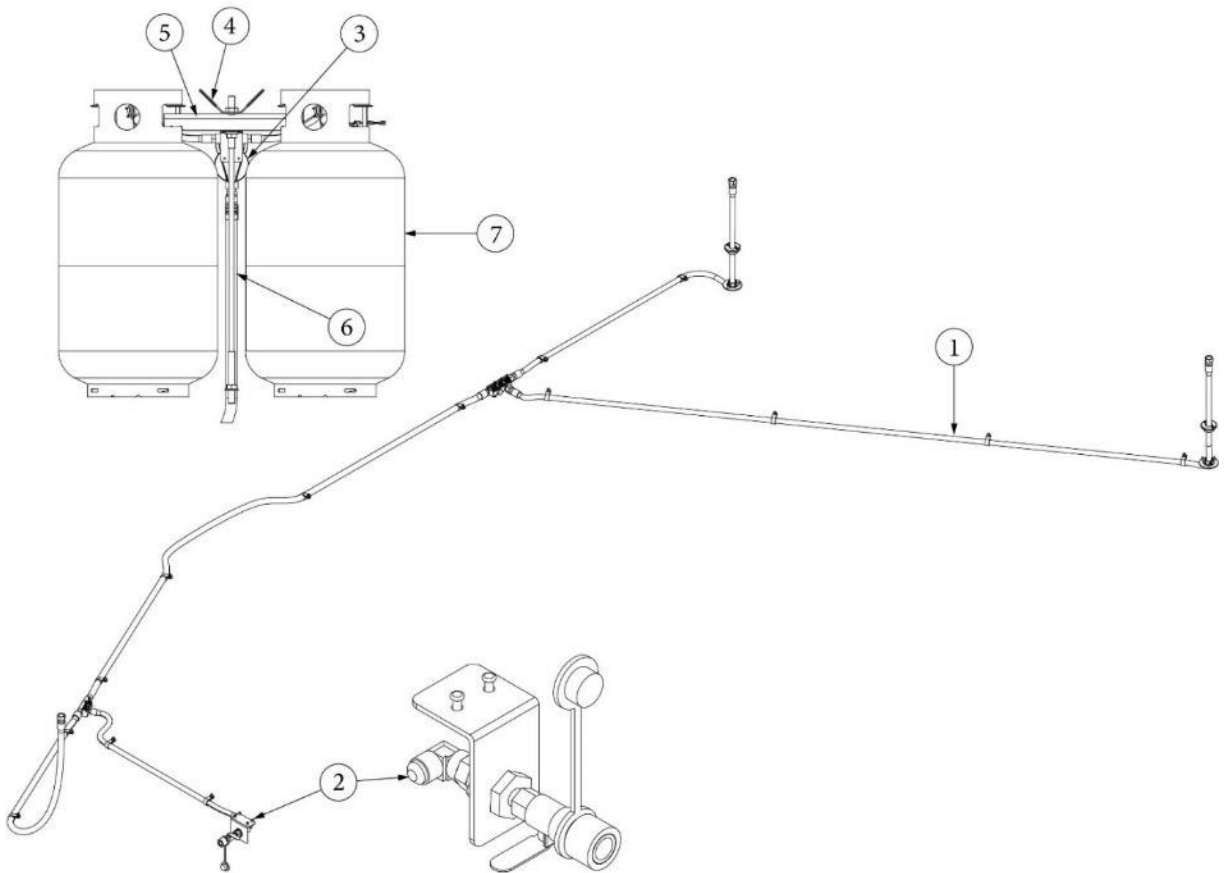
Install, LP System
Install, LP Tanks/Regulator, 30lb tank, w/Gauge

- 1. 943992
- 2. 602465
- 3. 602870
- 4. 410238
- 5. 100949
- 6. 345375-08
- 7. 601711
- 382556
- 382500

Assy, LP flex line
Exterior propane port assembly
Regulator, LP gas, Dual 11" pigtails
Handle, Gas rack, (Wing nut)
Hold down Bracket, LP Bottle
Threaded rod, 30.5" x 1/2-13
LP cylinder, Aluminum, 30lb, w/Gauge
LP closeout
Sealing grommet, Press fit, 1/2" pipe

PLUMBING, LPG SYSTEM

LPG System, 33FB



113645
113718-03

Install, LP System
Install, LP Tanks/Regulator, 30lb tank, w/Gauge

- 1. 943991
- 2. 602465
- 3. 602870
- 4. 410238
- 5. 100949
- 6. 345375-08
- 7. 601711
- 382556
- 382500

Assy, LP flex line
Exterior propane port assembly
Regulator, LP gas, Dual 11" pigtails
Handle, Gas rack, (Wing nut)
Hold down Bracket, LP Bottle
Threaded rod, 30.5" x 1/2-13
LP cylinder, Aluminum, 30lb, w/Gauge
LP closeout
Sealing grommet, Press fit, 1/2" pipe

PLUMBING, LPG SYSTEM

LP Tank Cover

921260	Assembly, LP Bottle Cover
115288-01	Wrapper, LP Bottle Cover
200845-02	Lid, LP tank cover
382562	Latch, Rubber
382562-01	Keeper, Rubber
382562-02	Screw, Rubber Latch
921257-01	Cross Bar Assembly
114070	Extrusion, J-trim, Mill Finish
380988	Hinge, Continuous, .5" x 18"

PLUMBING, FRESH WATER SYSTEM

Faucet, Galley

602437

Faucet, Galley, Pull-Out Grohe Minta



Faucet, Lavy, 30RB

602813-01

Faucet, Lavy, Moen Align, Chrome30RB



Faucet, Lavy, 33FB

602439

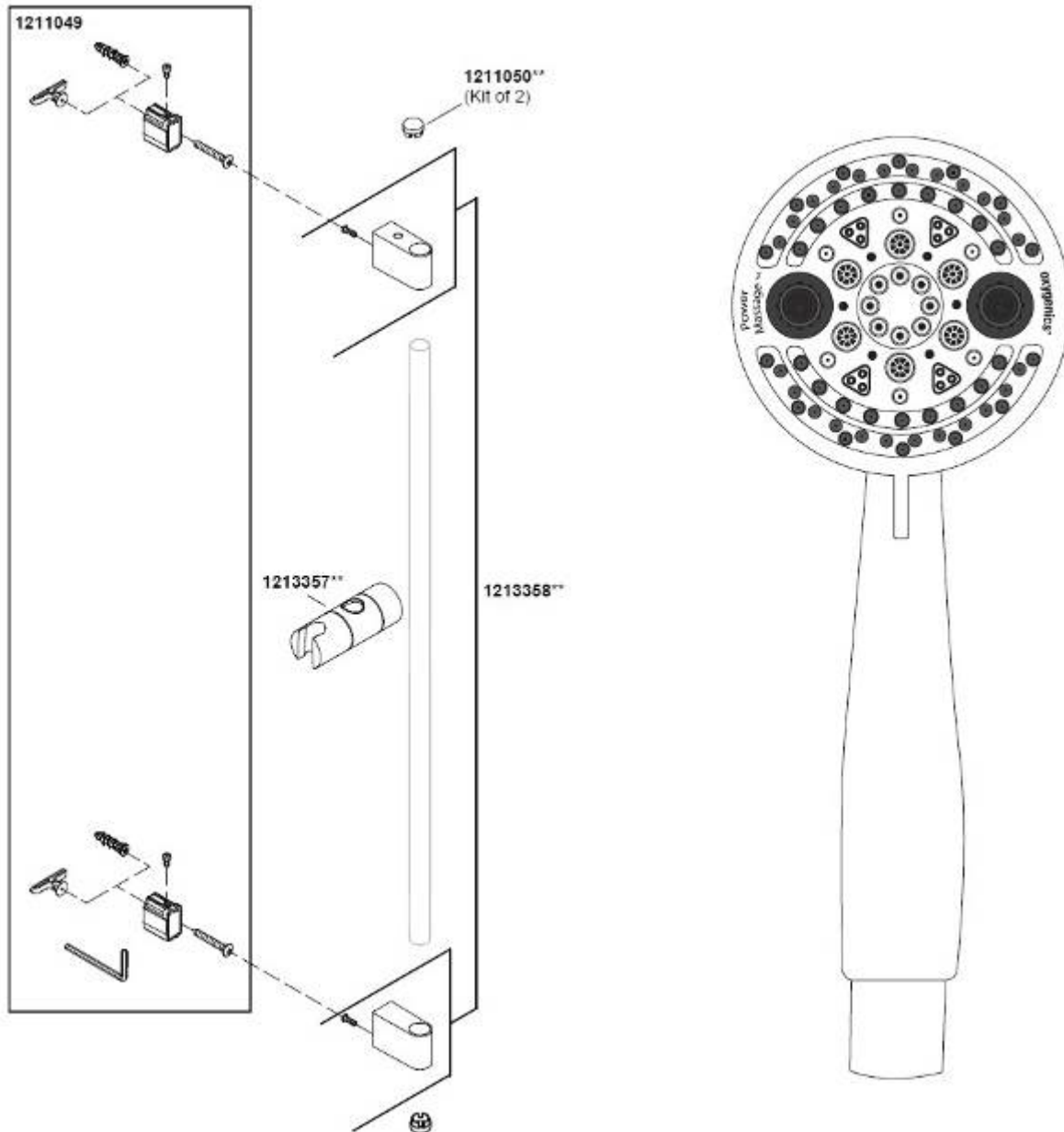
Faucet, Lavy, Single handle, Grohe Concetto, 33FB



PLUMBING, FRESH WATER SYSTEM

Faucet, Hand Shower

- 602675 Hand shower, Brushed Nickel, Oxygenics
- 602405 Shower slide bar, 24"
- 602403 Hose, 60", Brushed Nickel
- 602518 Supply Adapter Assembly



Model #88446, Hand shower
Model #K-98341-BN, Slide bar

PLUMBING, FRESH WATER SYSTEM

Faucet, Shower Handle

602640-01 Valve, Trim Kit, Alteo, Brushed Nickel (Shower)



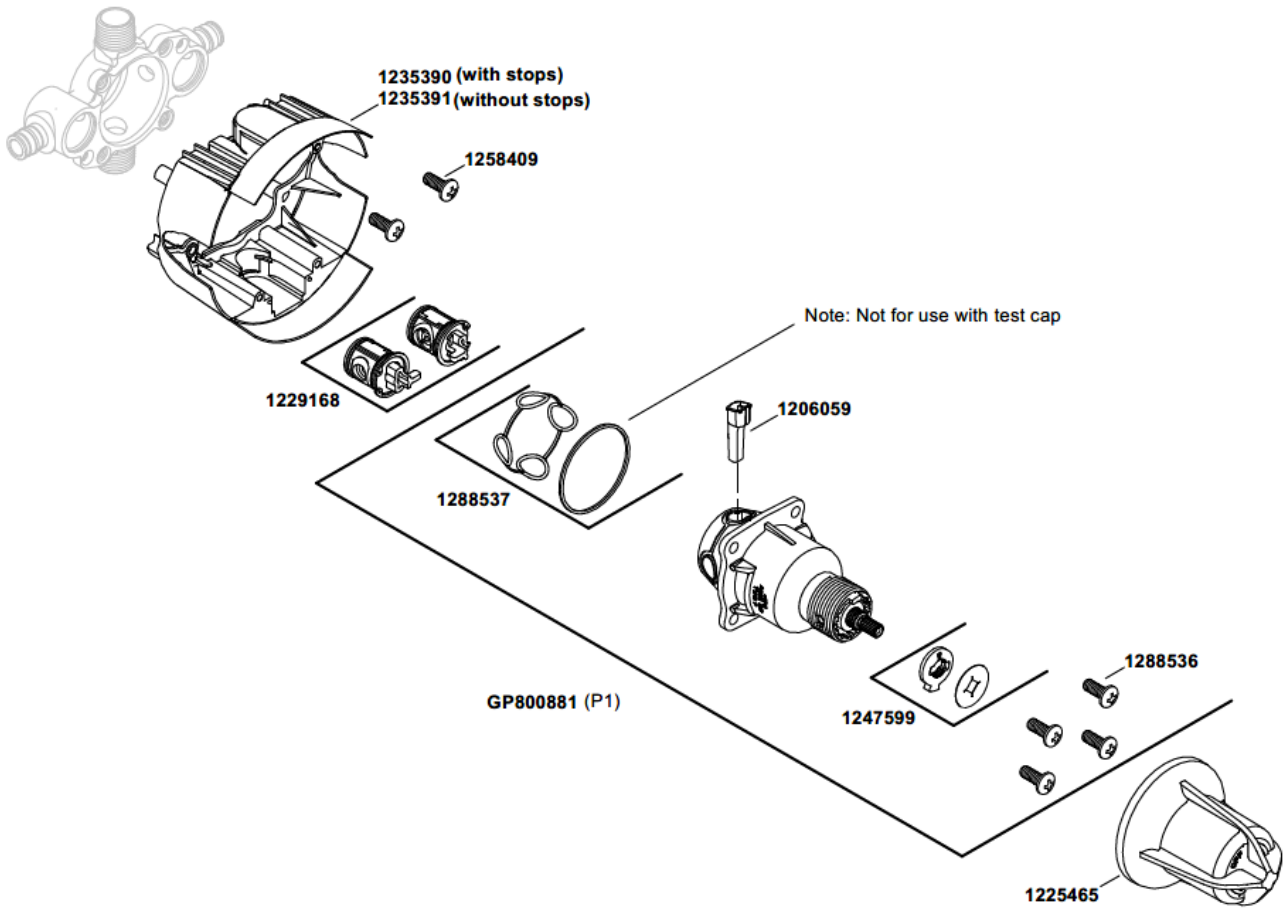
Model #K-TS-45110-4-BN, Valve trim kit, Alteo

PLUMBING, FRESH WATER SYSTEM

Faucet, Valve

- 602401 Valve, Rite-temp, 1/2" pressure balance
- 602632 Flow controller w/Off switch

Parts Shown are Kohler Part Numbers



Model #K-8304-PX-NA, Valve

PLUMBING, FRESH WATER SYSTEM

Fresh Water Tank

601864-01	Fresh water tank, 54.5 gallon
601620	Pan, Fresh water tank
602905	Ball valve, Drain, Nickel Plated
602185-01	Drain valve, 90°, Lead free
601723	Filter screen, Water
453712	Shield, Fresh water tank drain
601295	Plug, ABS, 1-1/4"

Fresh Water Tank Fill

115626	Water fill w/lock, Stainless Steel
115626-100	Key, Water fill
115626-101	Lock assembly w/key
601239-01	Tubing, 1.375" ID, Ribbed
601240-01	Tubing, .5" ID, 3/32" wall thickness

City Water Hook-up

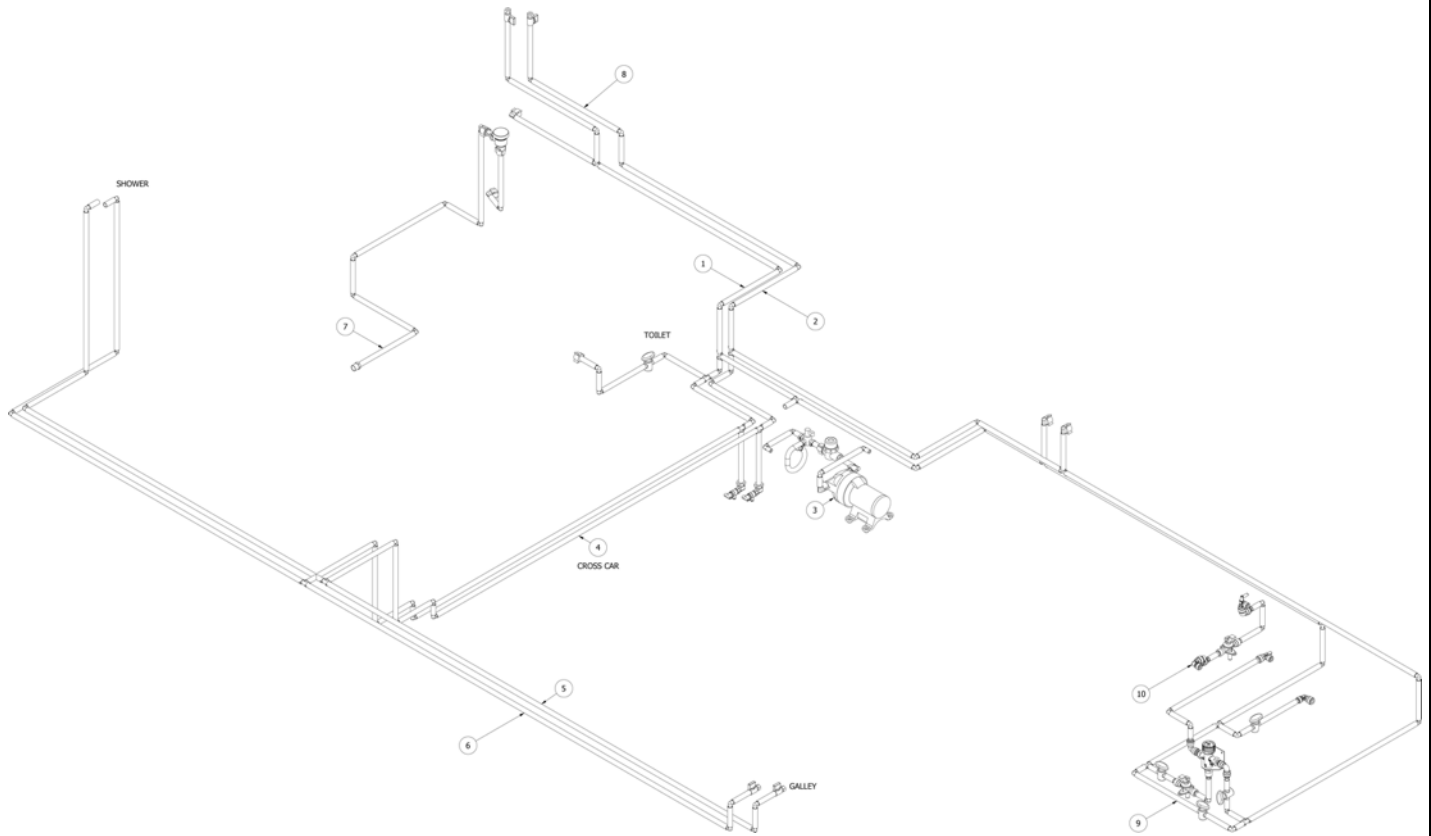
601392-06	City water fill w/regulator, 50 PSI, Chrome
601392-01	Plastic screw-in cap
601392-02	Strap
365478	Decal-City Water Inlet

Water Pump and Controller

602328	Water pump, Shurflo, 4048
601668-01	Strainer, Fresh water pump
602986	IRVWPC Water Pump Controller
602986-100	IRVWPC2 Module For 602986
602986-101	Wire Assembly For 602986
602986-102	Pressure Sensor For 602986
602986-103	Pressure Sensor Fitting For 602986
602986-1030	Flat Gasket Washers

PLUMBING, FRESH WATER SYSTEM

Fresh Water Lines, 30RB



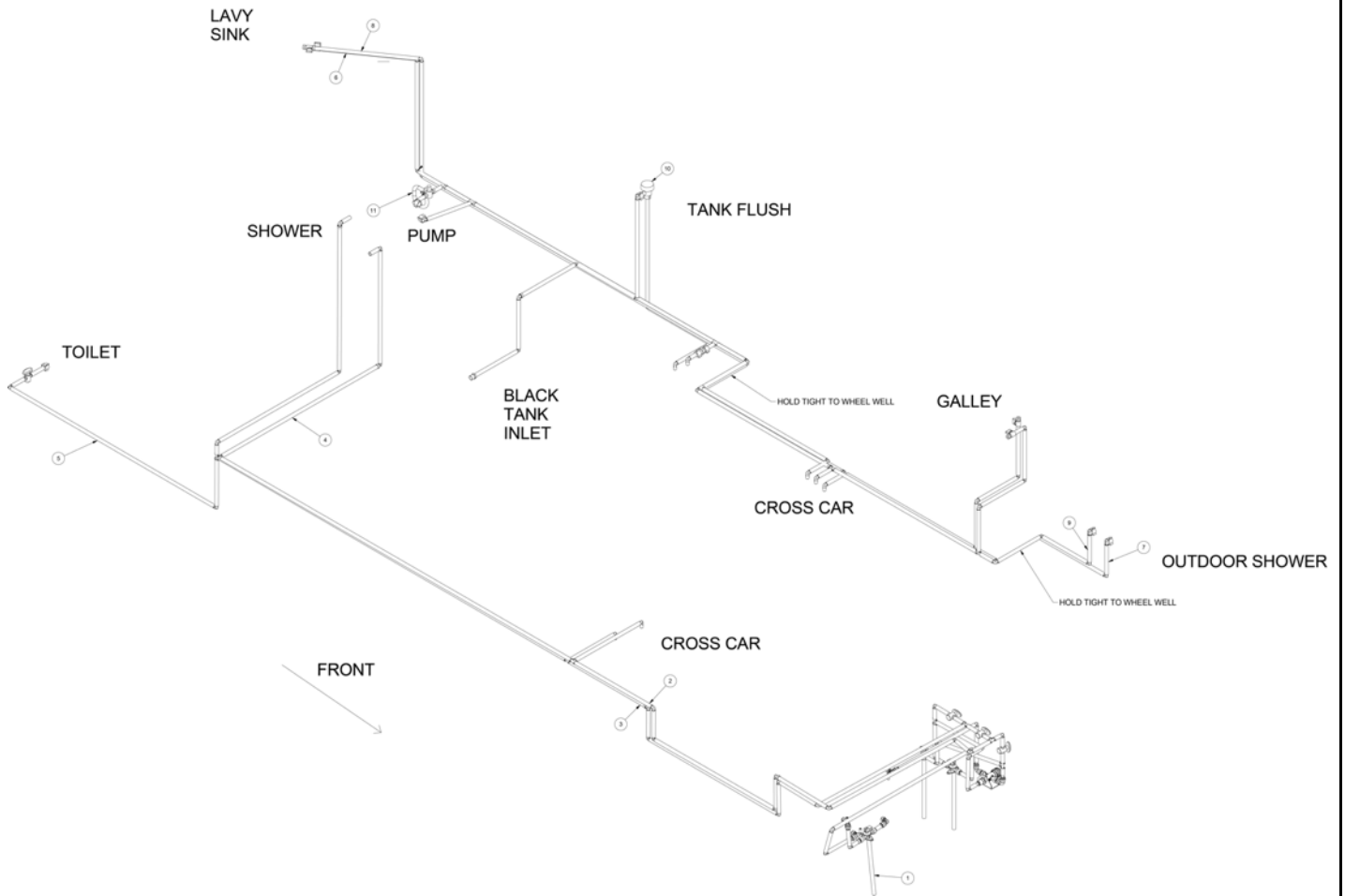
943838

Fresh Water system

- | | |
|---------------|--------------------------------|
| 1. 943838-01 | RS front cold water line |
| 2. 943838-02 | RS front hot water line |
| 3. 943838-05 | Fresh water tank pick-up |
| 4. 943838-06 | Cross-car water lines |
| 5. 943838-07 | CS hot water line |
| 6. 943838-08 | CS cold water line |
| 7. 943838-09 | Tank flush water lines |
| 8. 943838-04 | RS rear hot water line |
| 9. 943838-10 | Alde plumbing setup |
| 10. 943838-11 | Alde boiler to flow connection |

PLUMBING, FRESH WATER SYSTEM

Fresh Water Lines, 33FB



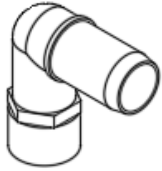
943830

Fresh Water system

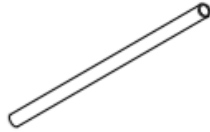
- | | |
|---------------|--------------------------------|
| 1. 943830-01 | Alde/flow-Overflow |
| 2. 943830-02 | Alde hot |
| 3. 943830-03 | Alde cold |
| 4. 943830-04 | CS rear hot |
| 5. 943830-05 | CS rear cold |
| 6. 943830-06 | RS rear hot |
| 7. 943830-07 | RS forward hot |
| 8. 943830-08 | RS rear cold |
| 9. 943830-09 | RS forward cold |
| 10. 943830-10 | Tank flush |
| 11. 943830-11 | Pump feed |
| 112814 | Winterization Kit Installation |

PLUMBING, FRESH WATER SYSTEM

Fresh Water Fittings



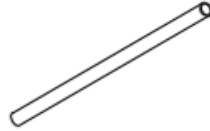
1



2



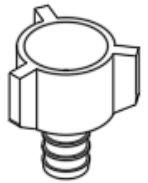
3



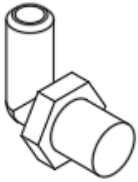
4



5



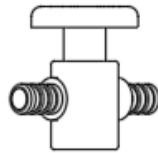
6



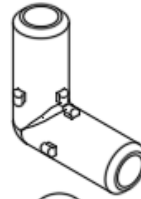
7



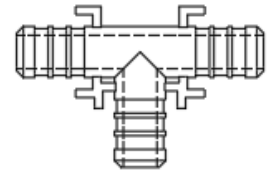
8



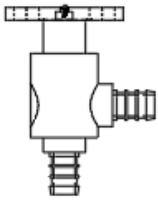
9



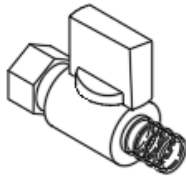
10



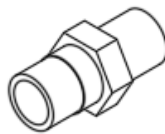
11



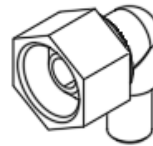
12



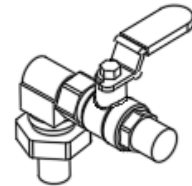
13



14



15

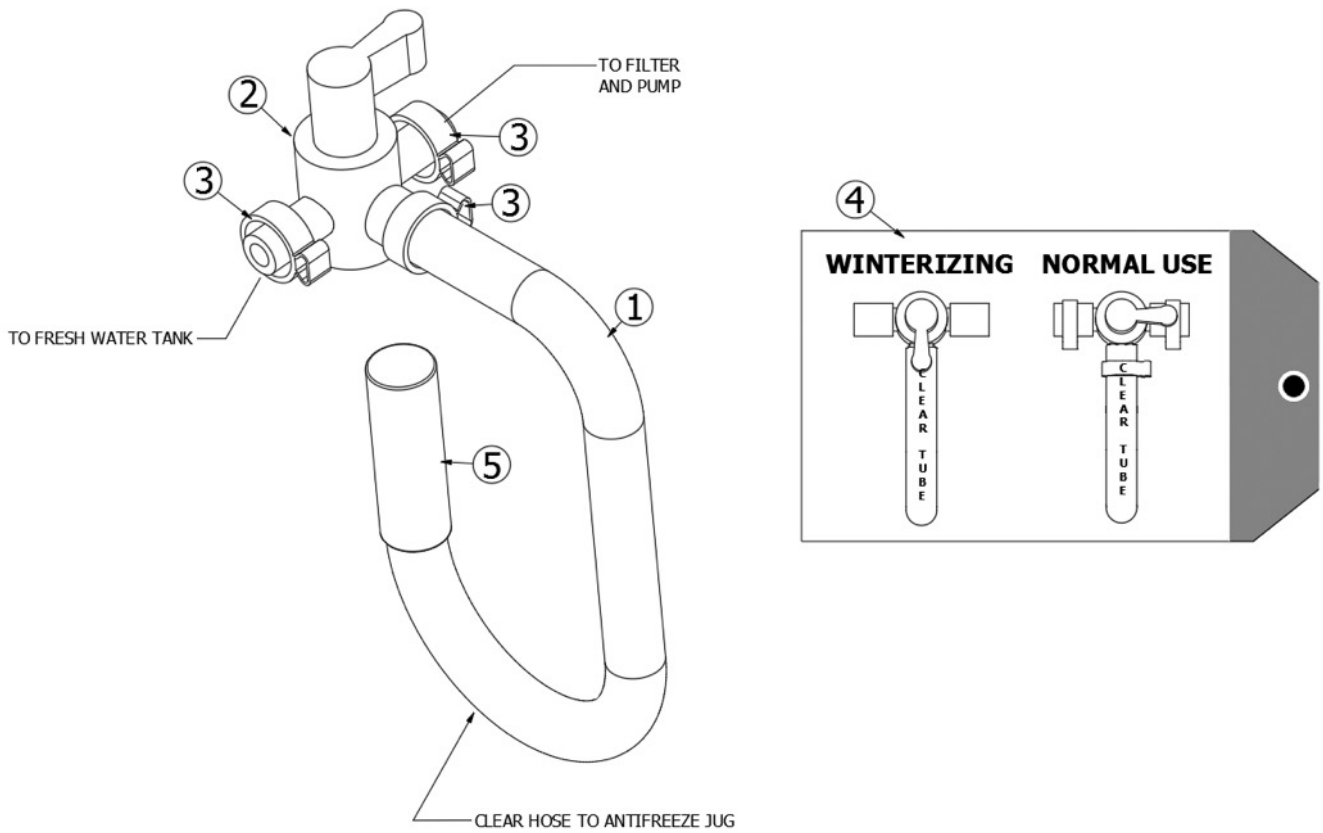


16

- | | |
|---------------|-------------------------------------|
| 1. 601237 | Elbow, 90°, 1.25 MPT x 1.25 Bar |
| 2. 601698-01 | E-Pex tube, .5" |
| 3. 601698-15 | Crimp ring, .5" E-Pex, .5", Black |
| 4. 601698-21 | E-Pex tube, .5", Red |
| 5. 602256-02 | Coupler, .5" barb x .5" MPT |
| 6. 602256-03 | Coupler, .5" barb x .5" FPT |
| 7. 602256-04 | Elbow, .5" barb x .5" MPT |
| 8. 602256-05 | Elbow, .5" barb x .5" FPT |
| 9. 602256-22 | Shut-off, .5" barb x .5" barb |
| 10. 602256-10 | Elbow, .5" barb x .5" barb |
| 11. 602256-11 | Tee, .5" x .5" x .5" |
| 12. 602383 | Valve-1/2b X 1/2b 90 Deg Chrome |
| 13. 602137 | Valve-Shut Off .5" BX.38" Comp |
| 14. 602308 | Valve-Check .5" MPT X .5" MPT Brass |
| 15. 602669 | Valve-Brass Elbow #26585 |
| 16. 602185-01 | Drain valve, 90° |

PLUMBING, FRESH WATER SYSTEM

Winterization Kit



112814

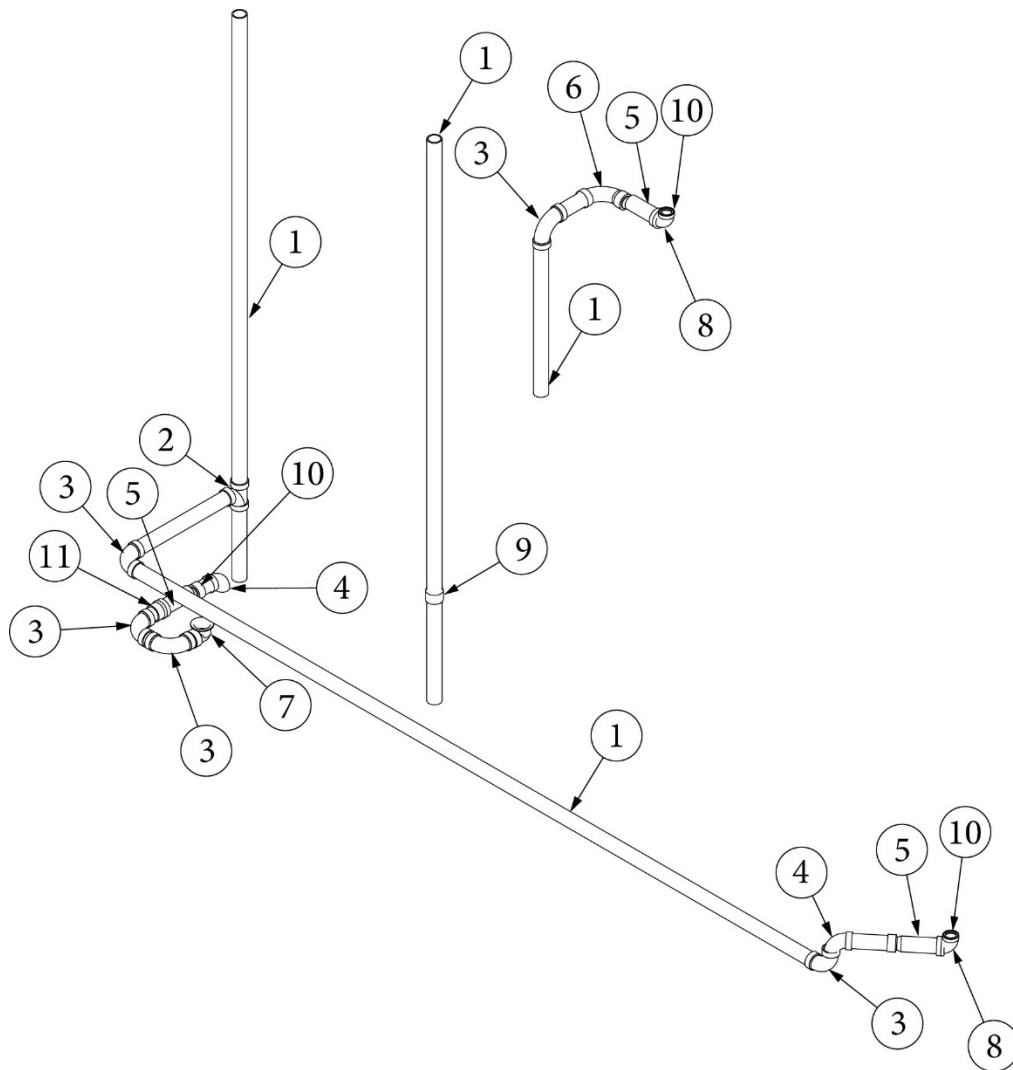
Winterization Kit Installation

- 1. 601240-01
- 2. 602711
- 3. 601698-15
- 4. 365453
- 5. 602801

Tubing 1/2 I.D. X 3/32 Wall Thick
Valve-3 Way Bypass .5" PEX #32788
1/2 CRIMP RING #14785
Tag-Instruction - Winterization Kit
Cap, 5/8" ID, Winterization Kit

PLUMBING, DRAIN SYSTEM

Drain System Layout, 30RB



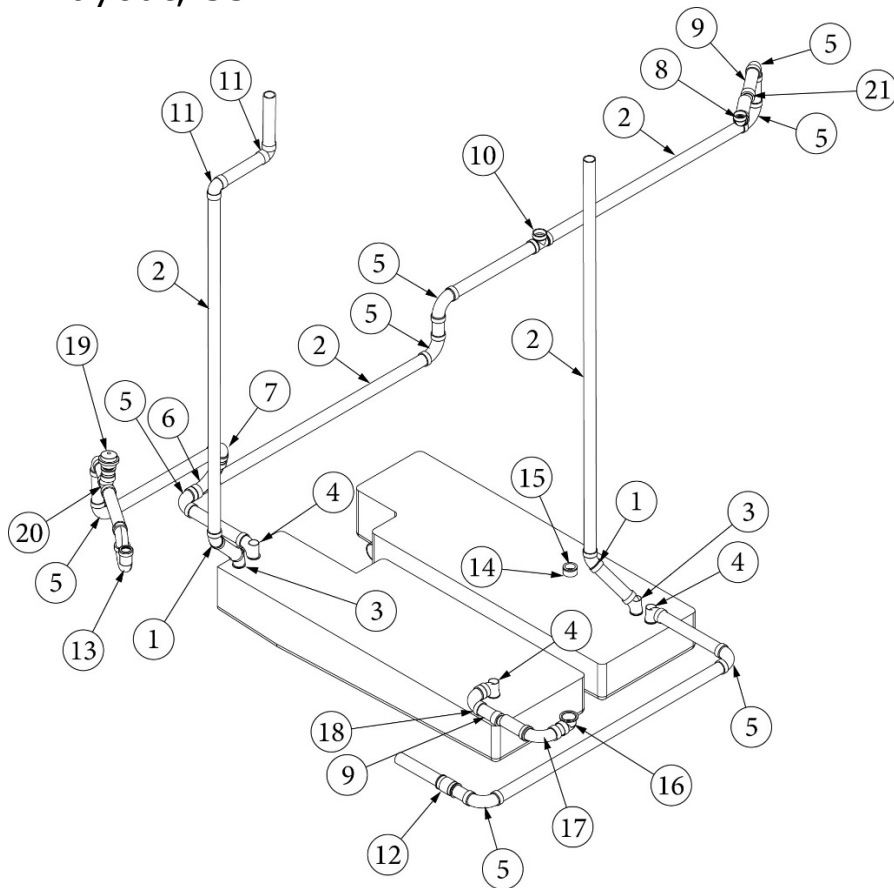
943784

Drain System Layout

- | | |
|---------------|---|
| 1. 601160-02 | Pipe, ABS DVW, 1.5" |
| 2. 600156 | Tee, Sanitary |
| 3. 600035 | Elbow, 1.5", 90°, Long sweep |
| 4. 600662 | Elbow, 1.5", 90°, Short radius |
| 5. 690603-03 | Waste valve, Hepvo, 1.5" FPT x 1.5" HUB |
| 6. 600431 | Elbow, 90-degree, long street |
| 7. 602265 | Elbow, 1.5" tub shoe, ABS |
| 8. 690603-02 | Adapter, Angle, Hepvo |
| 9. 600227 | Coupling, 1.5" |
| 10. 602287-02 | Rubber washer, .5", Black |
| 11. 601676 | Adapter, 1.5" Spigot x 1.5" MPT |
| 690700-01 | Vent pipe cover, White |

PLUMBING, DRAIN SYSTEM

Drain System Layout, 33FB



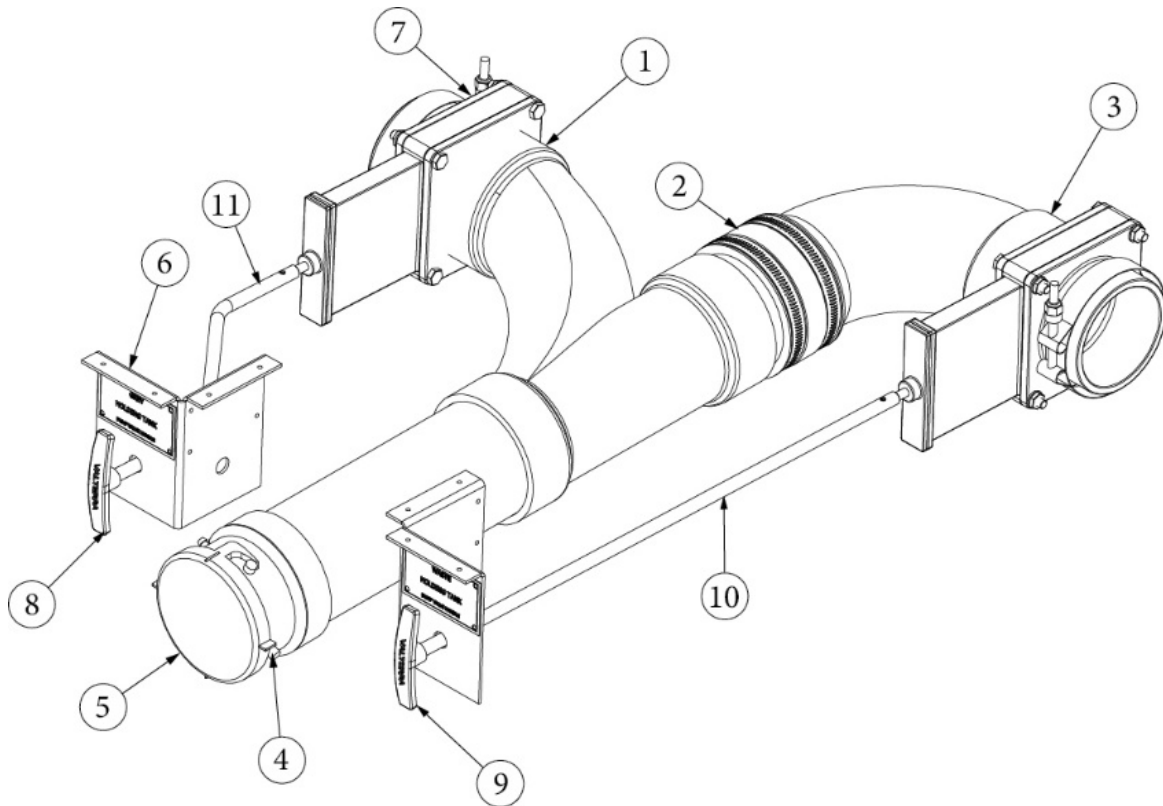
943826

Drain System Layout

- | | |
|---------------|---|
| 1. 600030 | Elbow, 45°, ABS |
| 2. 601160-02 | Pipe, ABS DVW, 1.5" |
| 3. 600027 | Elbow, ABS long ST, 45° |
| 4. 600662 | Elbow, 1.5", 90°, Short radius |
| 5. 600035 | Elbow, 1.5", 90°, Long sweep |
| 6. 600182 | Wye, 1.5, ABS |
| 7. 601636 | Elbow, 90°, Short sweep |
| 8. 690603-02 | Adapter, Angle, Hepvo |
| 9. 690603-03 | Waste valve, Hepvo, 1.5" FPT x 1.5" HUB |
| 10. 601318 | Tee cleanout, 1.5 |
| 11. 600033 | Elbow vent, 90° |
| 12. 602201 | Coupling, Flexible, 1.5 |
| 13. 602164-01 | P-trap w/compression nut |
| 14. 601676 | Adapter, 1.5" Spigot x 1.5" MPT |
| 15. 602357 | Plug, 1.5" |
| 16. 602265 | Elbow- 1.5" Tub Shoe ABS CBV |
| 17. 600431 | Elbow, 90, 1-1/2 IN |
| 18. 600308 | Adapter ABS Female Sloan #2891 |
| 19. 602306 | Valve-2" Air Admittance Ayrlett |
| 20. 600156 | Tee- Sanitary 1.5" |
| 21. 602287-02 | Rubber washer, .5", Black |
| 690700-01 | Vent pipe cover, White |

PLUMBING, DRAIN SYSTEM

Dump Valve, 30RB



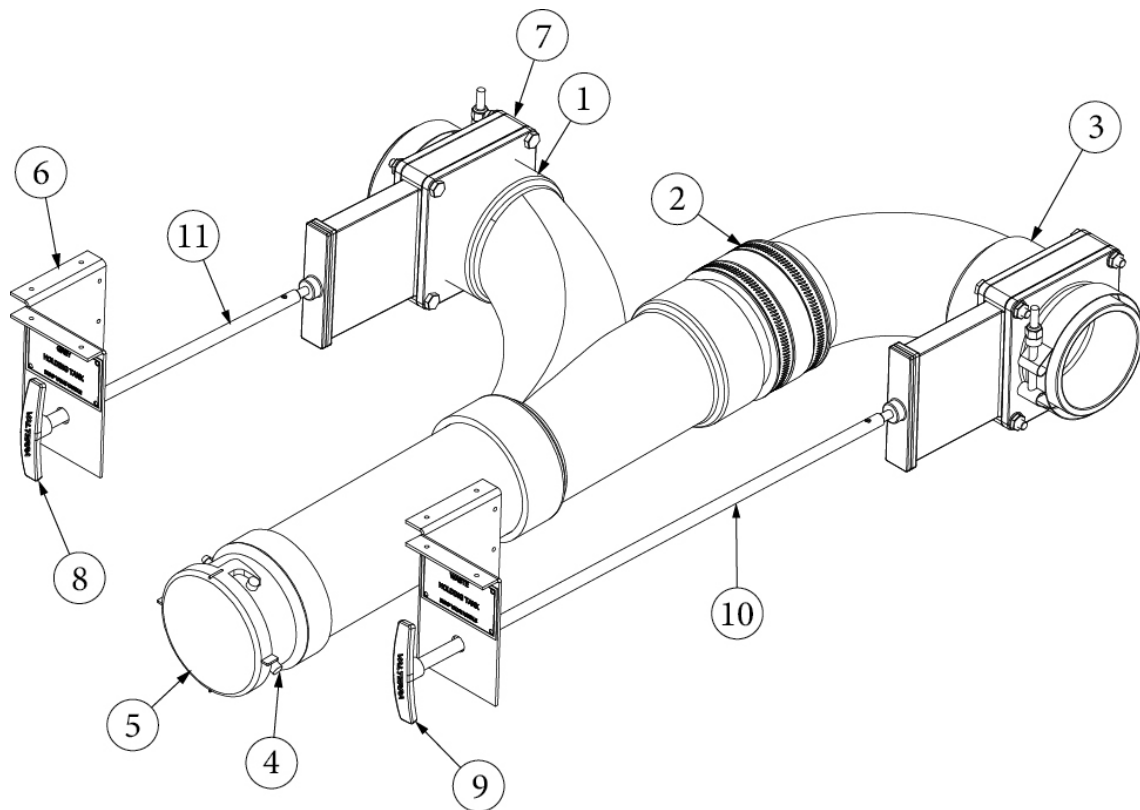
110191

Install, Dump Valve

- | | |
|---------------|--------------------------------|
| 1. 600187 | 3"Wye, Comb & 1/8 Bend |
| 2. 600289 | Calder Coupling 3in (Rubber) |
| 3. 600820 | Single socket, 90 degree, 3" |
| 4. 601607-06 | Term. Adaptor - 3" Hub X 3" Ba |
| 5. 601607-07 | Termination Cap - 3" Bay |
| 6. 114086 | Bracket, Valve handle |
| 7. 601607-11 | Valve Assy. 3" Spigot X 3"Spig |
| 8. 601607-17 | Handle-Dump Valve Black |
| 9. 601607-18 | Handle-Dump Valve Grey |
| 10. 116392-01 | Tank Extension Rod 19.00" |
| 11. 116392-04 | Tank Extension Rod,13.00" Bent |
| 116392-03 | Tank Extension Rod, 13.00" |
| 601160-04 | Pipe, Abs Dvw, 3" (Csa) |
| 340092 | Clamp T-Bolt 3 5/8 To 3 15/16 |
| 385099 | Tag Main Tank Dump Valve Handl |
| 385101 | Tag Aux Tank Dump Valve Handle |
| 360005-01 | Cement-Corlon Yellow Csa |

PLUMBING, DRAIN SYSTEM

Dump Valve, 33FB



110191-01

Install, Dump Valve

- | | |
|---------------|--------------------------------|
| 1. 600187 | 3"Wye, Comb & 1/8 Bend |
| 2. 600289 | Calder Coupling 3in (Rubber) |
| 3. 600820 | Single socket, 90 degree, 3" |
| 4. 601607-06 | Term. Adaptor - 3" Hub X 3" Ba |
| 5. 601607-07 | Termination Cap - 3" Bay |
| 6. 114086 | Bracket, Valve handle |
| 7. 601607-11 | Valve Assy. 3" Spigot X 3"Spig |
| 8. 601607-17 | Handle-Dump Valve Black |
| 9. 601607-18 | Handle-Dump Valve Grey |
| 10. 116392-01 | Tank Extension Rod 19.00" |
| 11. 116392-02 | Tank Extension Rod, 10.5" |
| 601160-04 | Pipe, ABS Dvw, 3" (Csa) |
| 340092 | Clamp T-Bolt 3 5/8 To 3 15/16 |
| 385099 | Tag Main Tank Dump Valve Handl |
| 385101 | Tag Aux Tank Dump Valve Handle |
| 360005-01 | Cement, Corlon Yellow CSA |

PLUMBING, DRAIN SYSTEM

Black Tank Flush

601441-02	Tank flush, No-fuss
601441-101	Cap w/strap, Black
365477	Decal - Black Tank Flush
385099	Tag, Black tank dump

Black and Gray Tanks, 30RB

601850-09	Gray tank, 37 gallon, 30'
601848-14	Black tank, 39 gallon, 30'
602947	Pan, Waste tank
601228	Closeout, Septic pan
200954	Slope pad, 22.75" x 55"

Black and Gray Tanks, 33FB

601850-11	Grey tank, 37 gallon, 33FB
601848-16	Black tank, 39 gallon, 33FB
602948	Pan, Waste tank
601228	Closeout, Septic pan
200954	Slope pad, 22.75" x 55"

PLUMBING, DRAIN SYSTEM

Sink, Galley

602438	Sink, Stainless, Elkay Crosstown
600968	4 IN. Plastic Chrome Basket Strainer
602443-01	Cover-Sink Corian Cosmos Prima
602443-02	Sink cover, Corian, Limestone
602388	Sink clip

Sink, Lavatory, 30RB

203790	Sink, Undermount, Fiberglass
381635	Sink clip, Undermount
601813	Tail piece, Lift and turn drain

Sink, Lavatory, 33FB

602440	Sink-Conical Bell Vessel Kohler
381635	Sink clip, Undermount
602676	Drain, Pop-up, Brushed Nickel

Shower Stall, 30RB

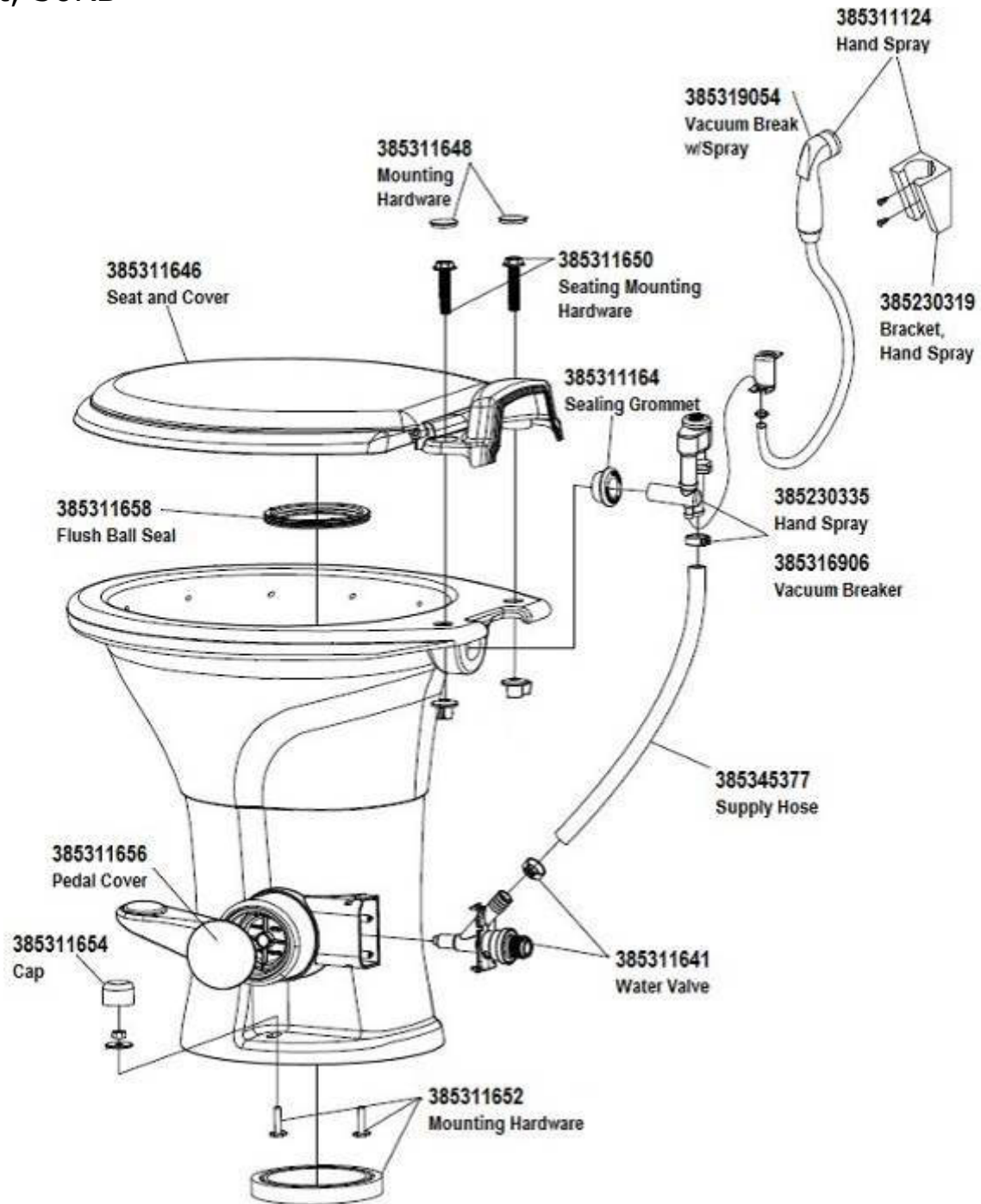
203081-02	Shower stall, 2 piece
600594-01	Drain, Sink with plug
703989-01	Shower door, Brushed Nickel, Reeded Glass

Shower Stall, 33FB

968573	Shower stand
203919	Shower pan, Curved fiberglass
602633	Shower door, Curved glass
600594-01	Drain, Sink with plug

PLUMBING, DRAIN SYSTEM

Toilet, 30RB

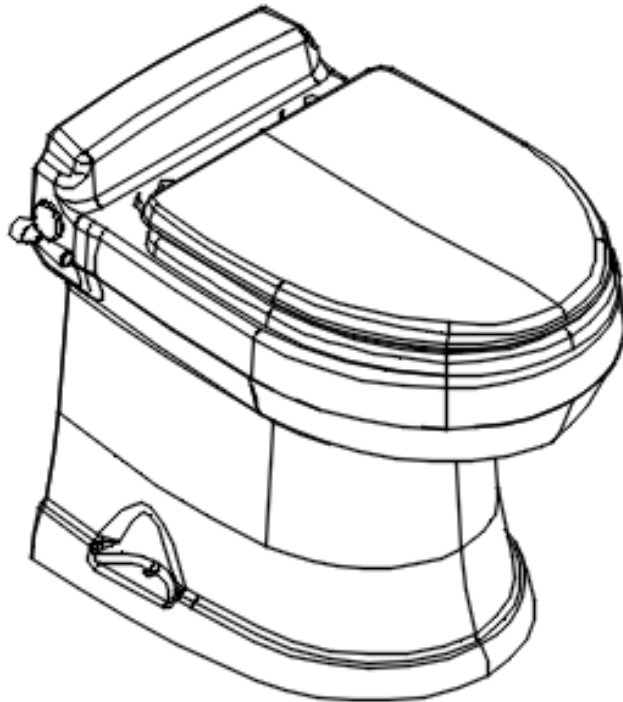


690621-BOX
600065
602137

Toilet, China, Dometic
Floor flange, Threaded
Valve, Shut off

PLUMBING, DRAIN SYSTEM

Toilet, 33FB



602659

Toilet, Macerator, Dometic

602659-100

Seat & Lid, White

602659-101

Macerator Pump Assembly

602659-102

Kit, Water Valve Assembly, 12V

602659-103

Junction Box W/Control Board

602659-104

Vacuum Breaker Kit

602659-105

Discharge Tube Replacement Kit

602659-106

Water Supply Hose

602659-107

Flush Handle Assembly

SEALERS AND GASKETS

Sealers

360180	Sealant, Sikaflex
365330-01	Sealant, RTV Silicone, White
365330-03	Sealant, Aluminum Grey
365330-04	Sealant, Adseal
365334	Tape, Sealfoam, One side
365335	Tape, Sealfoam, .75"
365417	Tape, 3M, Extreme sealing
360301-02	Caulk, Seamfil, Frosty White
360378-01	Caulk, Shower wall, Beige
28433W	Walbernize Super Seal
28430W-01	Sealant, Acryl-R, Gray, 16 oz. can

Gaskets

365232	Gasket, Main/baggage door
382117	Gasket, Window frame to glass
365351	Washer, Sealing, Main door hinge
365367	Automotive foam tape
685510	Seam tape, Black
365222	Tape, Double coated, .08" x .75"
365016	Tape, Double face foam, .5" wide
365001	Tape, Double coated foam

SEALERS AND GASKETS

Gasket Kits

- 365527 Gasket Kit, Awning, Includes:
- Gasket, Awning Lockdown (AS5 & AS7 Kit)
 - Gasket, Lower Awning Foot (AS7)
 - Gasket, Lower Awning Foot (AS5 Kit)
 - Gasket, Awning Foot (Rear w/Pan kit)
 - Gasket, Awning Travel Latch
 - Gasket, Prop Foot Gasket
 - Gasket, Awning Hook
 - Gasket, Awning Lockdown
 - Gasket, Power Awning Main Support
 - Gasket, Power Awning Bracket
 - Gasket, Classic Center Post
- 365528 Gasket Kit, Wall Mechanicals, Includes:
- Gasket, Water Heater
 - Gasket, City Water Fill
 - Gasket, Exterior Shower
 - Gasket, Black Tank Flush
 - Gasket, Range Vent
 - Gasket, Gravity Water Fill
 - Gasket, Power/Tv Inlet
 - Gasket, Power Jack Switch
 - Gasket, Outdoor Receptacle
 - Gasket, Step Light
 - Gasket, Water Heater Vent
 - Smart RV Wi-Fi Skin Antenna Gasket
 - Seal, Water Fill Door Interior
 - Seal, Water Fill Door 2
 - Seal, Exterior Shower Door
 - Seal, Door Interior
- 383013 Gasket Kit, Roof Top, Includes:
- Gasket, Exhaust Fan
 - Gasket, Tank Vent
 - Gasket, Solar Panel Feet
 - Gasket, Solar Port, Merlin
 - Gasket, Bath Exhaust Fan
 - Gasket, Wi-Fi Pre-Wire
 - Gasket, King Omni Pro Antenna

SEALERS AND GASKETS

Gasket Kits, Continued

382467 Gasket Kit, Exhaust Fan
 Gasket, Exhaust Fan
 Gasket, Tank Vent
 Gasket, Radio Antenna
 Gasket, Double Solar
 Gasket, Dual Cable Entry
 Gasket, Bath Fan
 Gasket, TV Antenna
 Gasket, Single Solar

BEDDING, PILLOWS

Bedding and Throw Pillows, Queen Bed

704716-10	Kit, Queen, Bed & Pillow Classic
704716-01	Duvet-Qn 91x83 W/Cord Welt Cla
704716-02	Pillow Shams 28 X 20.5
704716-03	Pillow-Lumbar 20 X 12
704716-04	Pillow-Accent 1 Toss 18 X 18
704716-05	Pillow-Accent 2 Toss 18 X 18
704716-08	Scarf-Qn Bed 75 X 20
703987	Pillow, Bed plump poly, 20" x 30"

Bedding and Throw Pillows, Twin Bed

704716-11	Kit-Twin Bed & Pillow Classic
704716-02	Pillow Shams 28 X 20.5
704716-03	Pillow-Lumbar 20 X 12
704716-04	Pillow-Accent 1 Toss 18 X 18
704716-05	Pillow-Accent 2 Toss 18 X 18
704716-06	Duvet, Twin, Roadside, 91 x 58"
704716-09	Scarf-Twin Bed 53 X 20
703987	Pillow, Bed plump poly, 20" x 30"

BEDDING, PILLOWS

Mattresses and Sheets, Queen Bed

704542	Mattress, Split queen, 60 x 75
704859	Queen sheets, top stich

Mattresses and Sheets, Twin Beds

704544-01	Mattress, Split twin, RS, 30'
704544-02	Mattress, Split twin, CS, 30'
704543-01	Mattress, Split twin, RS, 33FB
704543-02	Mattress, Split twin, CS, 33FB
704860	Twin sheets, top stich

UPHOLSTERY

Sofa, Chamomile, 30RB

135327	Install, Sofa, 30RB, Chamomile
970282-01	Sofa, Center Section, Chamomile
970282-04	Sofa, RH Armrest, Chamomile
970282-05	Sofa, LH Armrest, Chamomile
970282-51	Sofa, Back Rest, Chamomile
204384-03	Corian Sofa Armrest, RH Limest
204384-04	Corian Sofa Armrest, LH Limest
923734-2	Convactor Vent, Sofa

Sofa, Café Latte, 30RB

135327	Install, Sofa, 30RB, Café Latte
970282-02	Sofa, Center, Cafe Latte
970282-06	Sofa, RH Armrest, Cafe Latte
970282-07	Sofa, LH Armrest, Cafe Latte
970282-52	Sofa, Back Rest, Cafe Latte
204384-01	Corian Sofa Armrest, RH Cosmo
204384-02	Corian Sofa Armrest, LH Cosmo
923734-2	Convactor Vent, Sofa

Sofa, Earl Grey, 30RB

135327	Install, Sofa, 30RB, Earl Grey
970282-03	Sofa, Center, Earl Grey
970282-08	Sofa, RH Armrest, Earl Grey
970282-09	Sofa, LH Armrest, Earl Grey
970282-53	Sofa, Back Rest, Earl Grey
204384-01	Corian Sofa Armrest, RH Cosmo
204384-02	Corian Sofa Armrest, LH Cosmo
923734-2	Convactor Vent, Sofa

UPHOLSTERY

Sofa, 33FB

704729-01	Sofa-Entertainment Brisa Ash
704729-02	Sofa-Entertainment Brisa Shiitake
704729-03	Sofa, Entertainment, Wishbone
602655-03	Top-Corian Sofa Fold Down Cosmos Prima
602655-04	Fold down, Sofa, Corian, Limestone

Dinette Seat Kit, 30RB

704728-01	Dinette, Face-to-Face, Brisa Ash
704728-02	Dinette, Face-to-Face, Brisa Shiitake
704728-03	Dinette, Face-to-face, Wishbone

Dinette Seat Kit, 33FB

704731-01	Dinette, Booth w/Convactor Cover, Brisa Ash
704731-02	Dinette, Booth w/Convactor Cover, Brisa Shiitake
704731-03	Dinette, Booth, w/Convactor Cover, Wishbone

Ultraleather Fabrics

704723	Fabric, Ultraleather, Brisa Ash
704724	Fabric, Ultraleather, Brisa Shiitake
704905	Fabric, Ultraleather, Brisa Wishbone

Chairs

382004-04	Folding chair w/logo, Zip Dee, Gray/Black/White
704732-01	Chair, Desk Brisa Ash
704732-02	Chair, Desk Brisa Shiitake
704732-03	Chair, Desk, Wishbone
704404-100	Socket, Friction Grip for Caster

DECOR BOARDS

Decor Board, Classic Decor

Comfort White



Estate Brown



30' Queen



33' Twin



DECOR BOARDS

Decor Board, Doors and Laminate

Door Style and Laminate

Comfort White



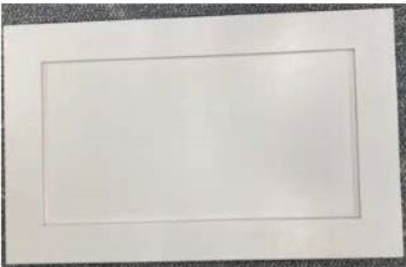
Main laminate - Linen
802038-01



Accent Laminate -
Crisp Linen 802077



Linen Shaker Bath Door
Style



Linen Shaker Cabinet Door Style

Estate Brown



Accent Laminate -
Tuscan Grey 802606



Main laminate -
Planked Coffee 802605



Brown Modified Bath
Door Style



Brown Modified Shaker Cabinet Door Style

DECOR BOARDS

Decor Board, Hardware

Hardware

Comfort White

Estate Brown



386404-02 Matte Gold Pull



386404-01 Satin Nickel Pull



Robe / Entry Hook 382732



Robe / Entry Hook 382732-02

DECOR BOARDS

Decor Board, Ultraleather and Countertops

Ultraleather and Countertops

Comfort White

704724 – Café Latte Seating
UL – Brisa Shiitake



704723 – Earl Grey Seating
UL – Brisa Ash



Cosmos Prima – Countertops



Estate Brown

704723 – Earl Grey Seating
UL – Brisa Ash



704905 – Chamomile Seating
UL – Brisa Wishbone



Limestone Prima – Countertops



DECOR BOARDS

Decor Board, Window Coverings

Window Coverings for Comfort White / Estate Brown



Roman Window Covering 704919



Window Treatment Tape 704907



Panoramic window coverings with tieback 998264



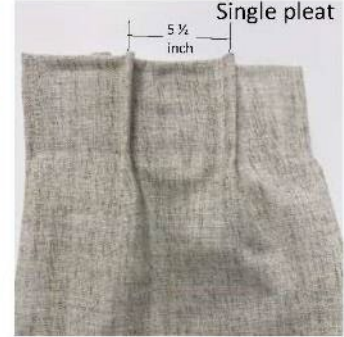
Vista / Skylight Window Covering 704921



Roller Window Covering 704920



Window Treatment Fabric 704906



Single pleat

VENTS, FANS, SKYLIGHTS

Vent, Black Tank

690700-01	Vent pipe cover, White
383013	Gasket Kit, Roof Top

Vent, Range

512210	Range hood, Baraldi, Stainless Steel
115573	Vent, Range exhaust, Stainless Steel
115175	Duct, Range exhaust transition
454590	Extension, Range vent
365528	Gasket Kit, Wall Mechanicals

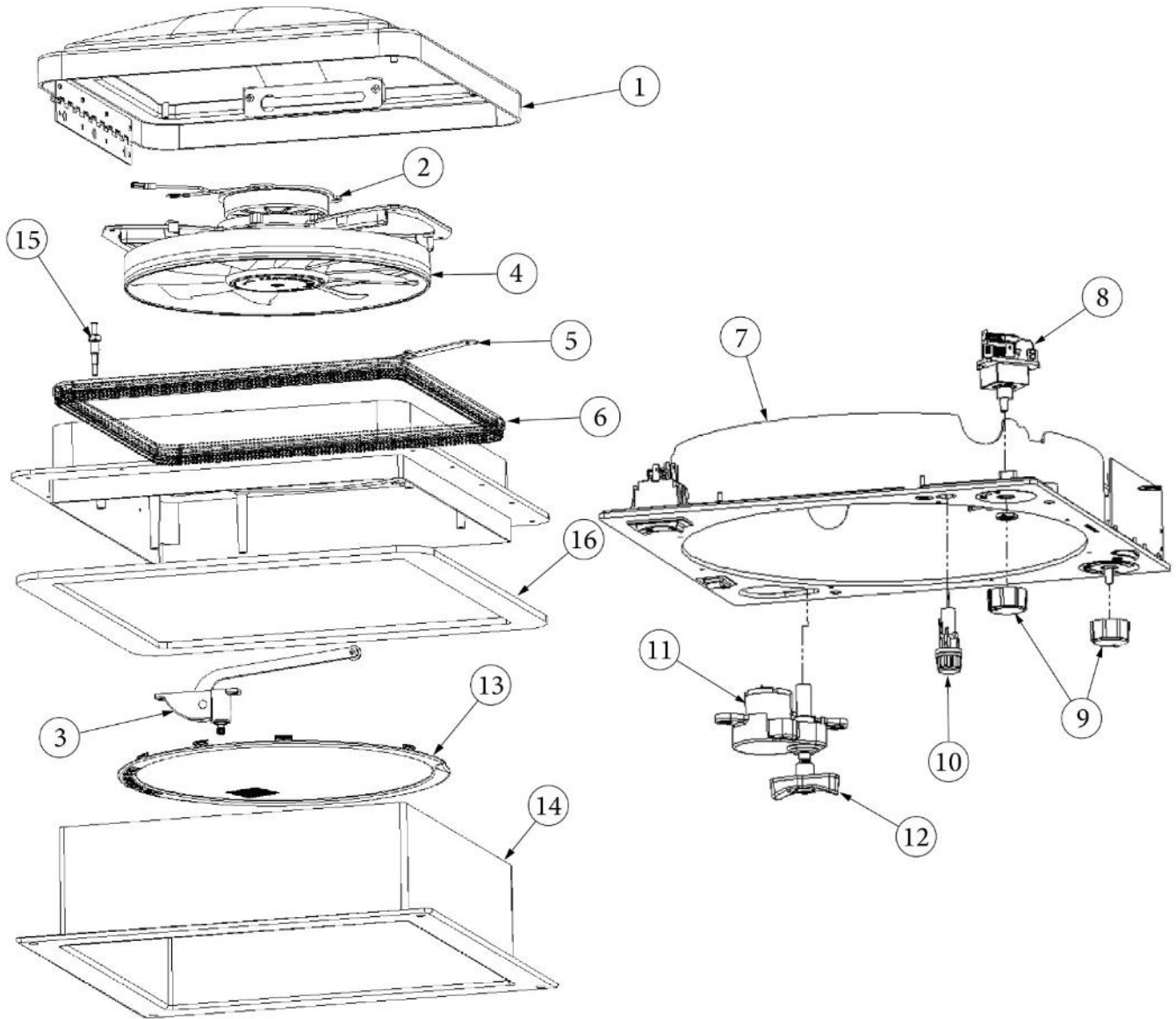
VENTS, FANS, SKYLIGHTS

Vent, Bath

514039	Maxxfan, Dome Plus
116470	Backing Plate Bath Fan
513172-02	Garnish 3.125" Grey
383013	Gasket Kit, Roof Top

VENTS, FANS, SKYLIGHTS

Ceiling Vent Fan



Parts Listed on Next Page

VENTS, FANS, SKYLIGHTS

Ceiling Vent Fan

513172	Exhaust vent, Fantastic fan
1. 381564-100	Dome, Polycarb, Smoke
2. 382240-103	Motor only, Vent fan
3. 381564-103	Lift arm, Dome
4. 513172-104	Fan blade, Vent fan
5. 381450-115	Rain sensor, Dome
6. 512538-102	Seal kit, Dome
7. 382240-106	Screen assembly
8. 382240-02	3-speed switch
9. 382288-103	Knob, Push-on, Black
10. 381450-110	Fuse and holder
11. 513172-101	Lift motor, Lift arm
12. 382288-104	Knob, Manual lift
13. 512538-010	Screen, Pop & lock
14. 513172-103	Trim ring, Grey, Vent
15. 381450-104	Light switch, Dome
16. 382467-01	Gasket, Exhaust fan

VENTS, FANS, SKYLIGHTS

Skylight, Lounge

381318-05	Skylight, 19.5 x 19.5
116355	Assembly, Skylight frame, 19 x 19"
704921-02	Shade, Pleated, Skylight, 19.25 x 19.75"

Skylight, Bath

381318-06	Skylight, 14.5 x 22.5
116356	Assembly, Skylight frame, 14 x 22"
704921-01	Shade, Pleated, Skylight, 14 x 22.75"
704921-03	Shade, Pleated, Skylight, 12.75 x 13.13"

PANELING, EDGEBANDING, LAUAN

Paneling

801392	Paneling, 12mm, White liner/White liner
801438	Paneling, 2.7mm, Vinyl/raw, Frosted White
802038-01	Laminate, Linen, Vertical, 4 x 8'
802077	Laminate, Crisp linen, Horizontal
802609	Panel, Planked coffee, 1mm
802605	Laminate, Formica, Planked coffee
802470	Laminate, White tile
802618	Backsplash, Champagne stainless
801809	Laminate, White liner, Vertical
801868-01	Laminate, Backer, Vertical

Edgebanding

802612-01	Edgebanding, Planked coffee, 5/8"
802612-02	Edgebanding, Planked coffee, 15/16"
802612-03	Edgebanding, Planked coffee, 1-1/4"
365386-01	Edgebanding, Linen, 5/8"
365386-02	Edgebanding, Linen, 15/16"
365386-03	Edgebanding, Linen, 1-1/4"

Lauan

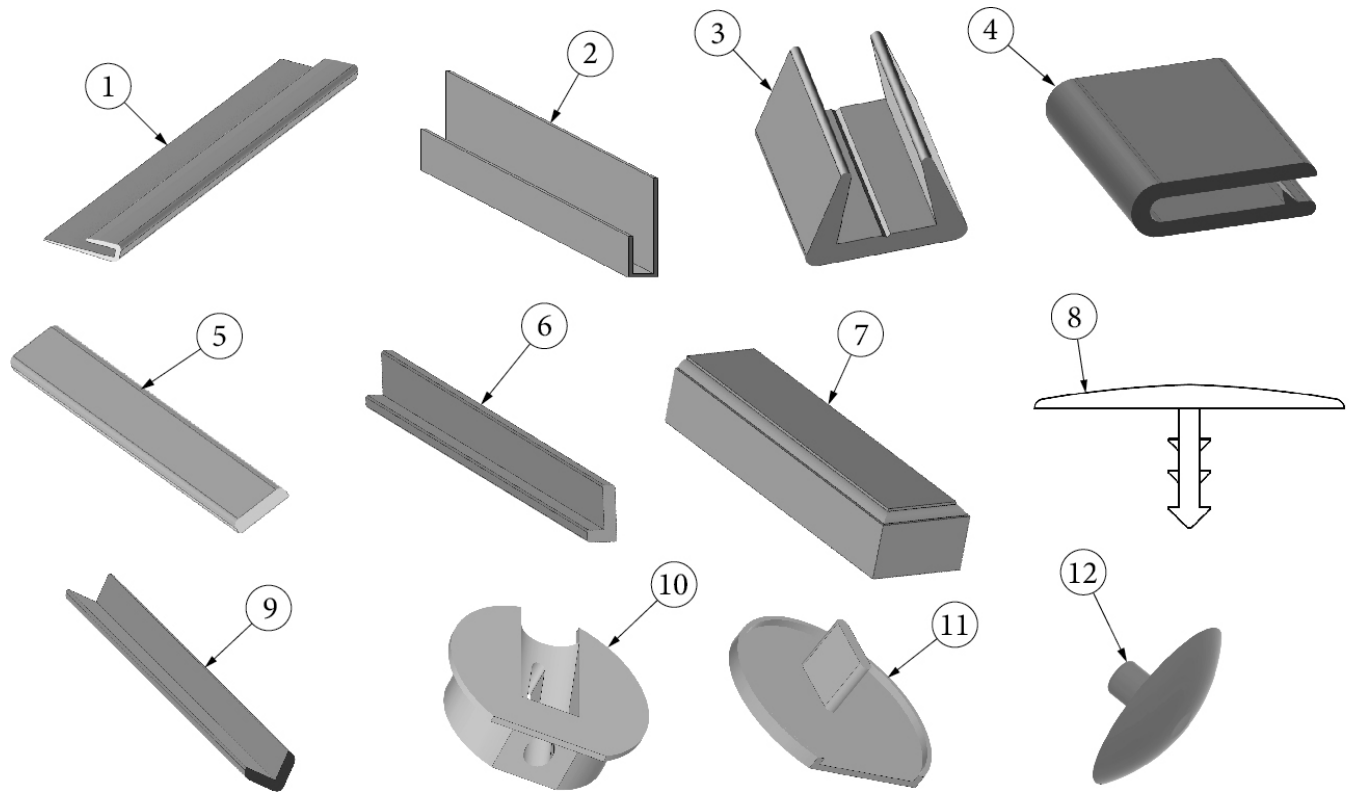
800507-01	Lauan, 1/8" x 4' x 8'
800507-02	Lauan, .25" x 4' x 8'
800507-03	Lauan, 3/8" x 4' x 8'
800397-01	Cedar, Planked, 5/32" x 4' x 8'

Plywood

801262-08	Plywood, .5", Baltic Birch
801352	Lite ply, 12mm, 4 x 8'
801353	Lite ply, 3mm, 4 x 8'
800506-03	Plywood, 3/8"
800506-04	Plywood, .5"
800506-06	Plywood, .75"

TRIMS AND TOUCH-UP

Trim



- | | |
|----------------|--|
| 1. 114070 | J-molding, Mill finish |
| 2. 201666-01 | J-molding, 3/16", Plastic, White |
| 3. 203138-06 | Extrusion, Panel edging, Ash Grey |
| 203138-01 | Extrusion-Plastic 1/2" Wall-White |
| 203138-09 | Extrusion, Plastic, Brown |
| 4. 203225-01 | Trim lock, .75", Gray |
| 5. 800573-1002 | Molding-Door Edge Flat Linen |
| 800573-1010 | Molding, Door, Planked coffee |
| 6. 801665-1002 | Molding-Door Jamb Linen |
| 801665-1010 | Molding, Door jamb, Planked coffee |
| 7. 801994-1002 | Molding-Galley Flip Shelf Linen |
| 801994-1010 | Molding, Galley flip shelf, Planked coffee |
| 8. 203445-01 | T-Molding - .5625" White |
| 203445-07 | T-Molding, Ash grey, 9/16" |
| 9. 801997-1002 | Trim Outside Corner Linen |
| 801997-1010 | Trim, Outside corner, Planked coffee |
| 10. 382057 | Knockdown, 8mm |
| 11. 382057-03 | Cap, Knockdown Dark Brown #16291 |
| 382057-04 | Cap, Knockdown White #16387 |
| 12. 381610-01 | Cover Cap, Plastic, European White |
| 381610-02 | Cover Cap, Plastic, European Brown |

TRIMS AND TOUCH-UP

Fill Sticks, Stain Markers, and Seamfil

360406-21	Fil Stick, Planked Coffee
360406-22	Fil Stick, Tuscan grey
365504-11	Stain Marker, Tuscan Gray
365504-02	Stain Marker, Crisp Linen, M208-4457
365504-06	Stain Marker, Linen, M280-0202
365504-07	Stain Marker, Planked Coffee
360301-14	Seamfil, Linen, KS1570F
360301-37	Seamfil, Crisp Linen, KS4942
360301-41	Seamfil, Planked Coffee, KS7413
360301-42	Seamfil, Tuscan Gray, KS7628
360301-02	Seamfil, White
360301-04	Seamfil, Black
360301-18	Seamfil, Grey