

AIRSTREAM[®]

2023 Rangeline Parts Book



TABLE OF CONTENTS

APPLIANCES	1
AIR CONDITIONER	1
GENERATOR.....	1
MICROWAVE AND COOKTOP	1
REFRIGERATOR	1
HYDRONIC FURNACE AND HOT WATER SYSTEM, ABOVE FLOOR.....	2
HYDRONIC FURNACE AND HOT WATER SYSTEM, BELOW FLOOR	3
HYDRONIC FURNACE AND HOT WATER SYSTEM, BELOW FLOOR	4
EXTERIOR SHELL	5
EXTERIOR COMPONENTS	5
EXTERIOR COMPONENTS	6
MEDALLIONS.....	6
FRONT GRILL.....	6
TRIM, ACCESS PANEL.....	6
POP TOP.....	7
INTERIOR SHELL	8
SIDEWALL PANELS, PILLARS, AND CLOSEOUTS.....	8
SIDEWALL PANELS, PILLARS, AND CLOSEOUTS.....	9
INSULATION	9
HEADKNOCKER, SLIDING DOOR.....	10
FLOOR ASSEMBLY	11
FLOOR ASSEMBLY	12
CEILING PANELS.....	13
CEILING PANELS.....	14
CHASSIS	15
CHASSIS PREP.....	15
FRONT SEAT BASE, SWIVEL	15
RUNNING BOARDS	15
SKID BARS	15
LUG NUT COVERS	15
SUMO SPRINGS	16
DOORS, WINDOWS, AWNINGS	17
SLIDING DOOR COMPONENTS	17
SLIDING SCREEN DOOR	18
REAR DOOR COMPONENTS	19
SCREEN AND PANEL FRAME, REAR DOOR	20
WINDOWS.....	21
WINDOW COVERINGS.....	21
AWNING	21
ELECTRICAL, 110 VOLT.....	22
POWER CENTER.....	22
INVERTER/CHARGER.....	22
SHORELINE HOOKUP.....	22

RECEPTACLES AND USB PORTS.....	22
BREAKERS.....	22
ELECTRICAL, 12 VOLT.....	23
BATTERY	23
BREAKERS & FUSES	23
CHASSIS & HOUSE CHARGING	24
CHARGER, CELLPHONE	24
CABLE KITS, MAIN 12VDC.....	24
TANK SENSORS	24
TANK HEATERS	24
SWITCHES.....	24
INTERIOR LIGHTS.....	25
EXTERIOR LIGHTS	25
SOLAR SYSTEM	26
BUZZER, ELECTRIC.....	26
FIREFLY SYSTEM.....	27
ENTERTAINMENT	28
AUDIO	28
VIDEO.....	28
AIRSTREAM CONNECTED	28
FLOOR COVERINGS.....	29
FLOOR COVERING	29
FURNITURE, LAVATORY.....	30
WETBATH MODULE.....	30
WETBATH MODULE.....	31
FURNITURE, GALLEY.....	32
GALLEY CABINET.....	32
GALLEY CABINET.....	33
GALLEY CABINET.....	34
CUBBY, GALLEY WALL.....	35
ROOF LOCKER, GALLEY.....	36
ROOF LOCKER, GALLEY.....	37
REFRIGERATOR AND MICROWAVE CABINET	38
REFRIGERATOR AND MICROWAVE CABINET	39
PET FOOD STATION	40
FURNITURE, LOUNGE	41
BENCH SEAT	41
BENCH SEAT	42
DINETTE TABLE.....	43
DINETTE WALL	44
ROOF LOCKER, DINETTE	45
ROOF LOCKER, DINETTE	46
FURNITURE, BED	47
PANTRY.....	47

PANTRY.....	48
BED BASE, ROADSIDE	49
BED BASE, ROADSIDE	50
BED BASE, CURBSIDE.....	51
BED BASE, CURBSIDE.....	52
ROOF LOCKER, ROADSIDE BED.....	53
ROOF LOCKER, ROADSIDE BED.....	54
ROOF LOCKER, CURBSIDE BED.....	55
ROOF LOCKER, CURBSIDE BED.....	56

HARDWARE57

BATH ACCESSORIES	57
SHOWER DOOR	57
HINGES.....	58
DRAWER SLIDES.....	58
INTERIOR HANDLES, LATCHES, AND FASTENERS.....	59
RIVETS.....	60

SAFETY EQUIPMENT61

SMOKE AND CARBON MONOXIDE DETECTOR	61
FIRE EXTINGUISHER	61

LABELS AND TAGS62

LABELS AND TAGS	62
-----------------------	----

PLUMBING, FRESH WATER63

FAUCET AND SINK, GALLEY	63
FAUCET AND SHOWER HEAD, WET BATH	63
EXTERIOR HOSE, SPRAYER PORT	63
CITY WATER HOOK-UP	63
FRESH WATER TANK AND WATER FILL	63
WATER ACCESS PANEL.....	64
WATER ACCESS PANEL.....	65
BLACK TANK FLUSH	65
FRESH WATER LINES.....	66

PLUMBING, DRAIN67

BLACK AND GRAY TANKS	67
BLACK AND GRAY TANKS	68
SEWER HOSE, CARRIER	68
WASTE DRAIN PLUMBING, DUMP VALVE	69
DRAIN SYSTEM, GALLEY SIDE	70
DRAIN SYSTEM, GALLEY SIDE	71
DRAIN SYSTEM, SHOWER SIDE.....	72
DRAIN SYSTEM, SHOWER SIDE.....	73
TOILET	74

SEALERS AND GASKETS75

SEALERS	75
GASKETS	75

UPHOLSTERY, ULTRALEATHER, DÉCOR BOARDS.....76

FRONT SEAT CLOSEOUTS	76
CAPTAIN'S CHAIRS, CABIN	76
BENCH SEAT	76
MATTRESSES, BED	76
DÉCOR BOARD, ADMIRAL NAVY	77
DÉCOR BOARD, MOONSTONE GRAY	78

VENTS AND FANS79

VENT, BLACK TANK	79
EXHAUST FAN, BATH	79
CEILING VENT FAN	80
CEILING VENT FAN, POP TOP	80

PANELING, EDGEBANDING, LAUAN81

PANELING.....	81
EDGEBANDING	81
LAUAN.....	81
PLYWOOD	81
TOUCH-UP.....	81

TRIMS82

TRIM	82
------------	----

APPLIANCES

Air Conditioner

690795	Air conditioner, Coleman Mach 10, 13,500BTU
690708-101	Air Filter, Coleman Mach 10
690795-01	Ceiling assembly, Black
690795-02	Control base, A/C, Multiplex
455916-01	Bracket, A/C, RS
455916-02	Bracket, A/C, CS
455916-03	Bracket, A/C, Center
12372W	Easy start, Micro-Air (Previously 514032)
690380-08	Sensor Cable, 20', Dual Air Only

Generator

113807	Install, Generator
514021	Generator, Onan Quiet 2.8kw, Gas
382853	Fuel Line Clip, Mopar
455887	Exhaust Pipe, Generator
455600	Exhaust Tip, Generator, Stainless
455802	Clamp, Tailpipe, Exhaust
381509	Hanger, Tailpipe, Universal Swivel
602902	Fuel Hose, 1/4" ID
510857-04	Conduit, Flex, 1/2"
514064-01	Electrical box, W/P, Single Gang, Gray
511260	Cover, Electrical box, Weatherproof, Single Gan
455880	Top Bracket, Generator, RS
455881	Top Bracket, Generator, CS
455884	Bracket, Generator, Flat Plate
455890	Side Bracket, Generator, RS
455891	Side Bracket, Generator, CS

Microwave and Cooktop

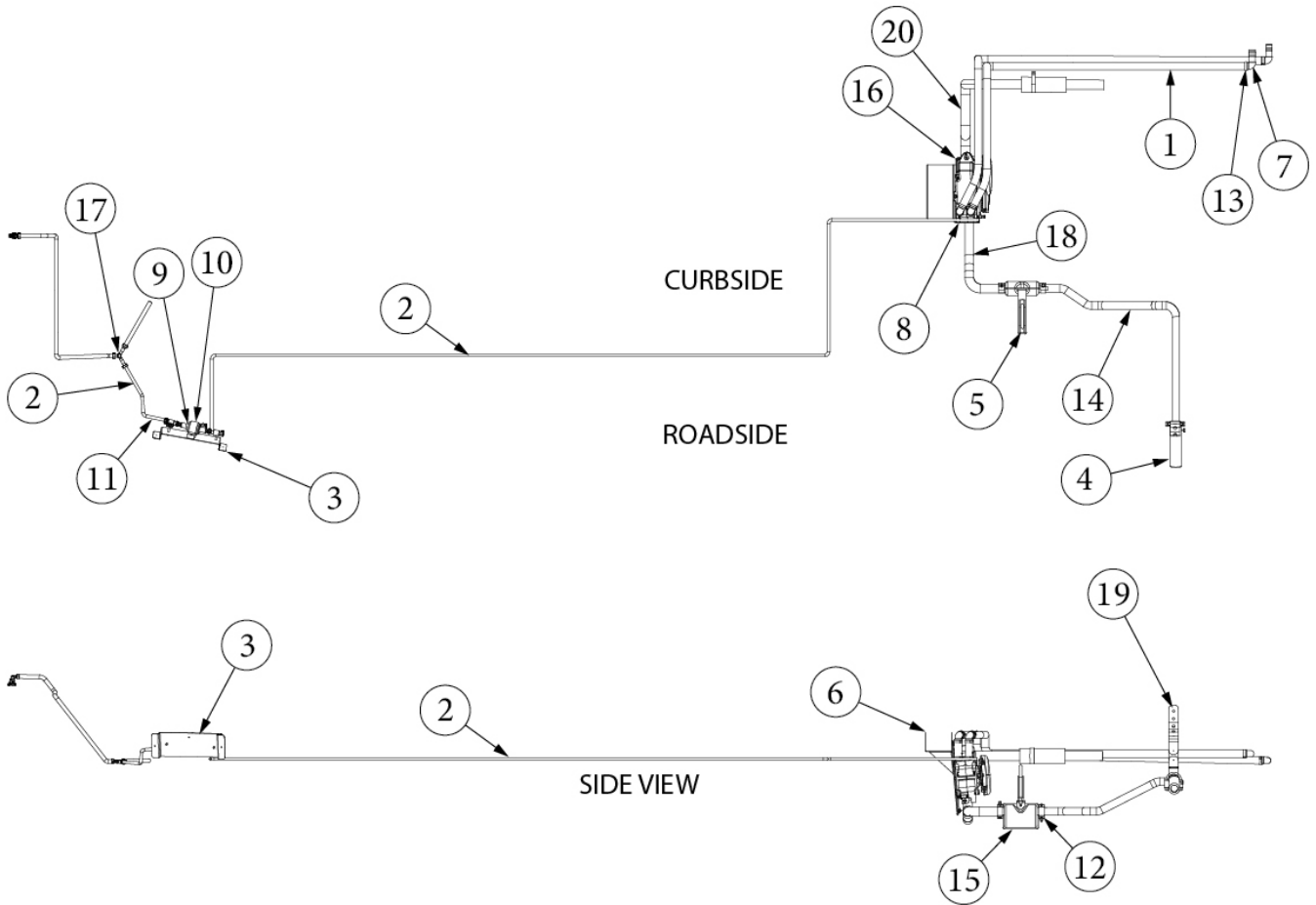
690648-02	Microwave, Contour, RV 787S
690648-04	Trim Kit, Bezel, Microwave, For 690648-02
514023	Cooktop, Induction, Single burner, 1000W

Refrigerator

690792	Refrigerator, Vitrifigo, 3.2 CF
116458	Aluminum closeout, cabinet
116167-01	Sheet aluminum, .023 x 30 x 160"
204147	Mesh, Stretchable Plastic

APPLIANCES

Hydronic Furnace and Hot Water System, Below Floor



Parts Listed on Next Page

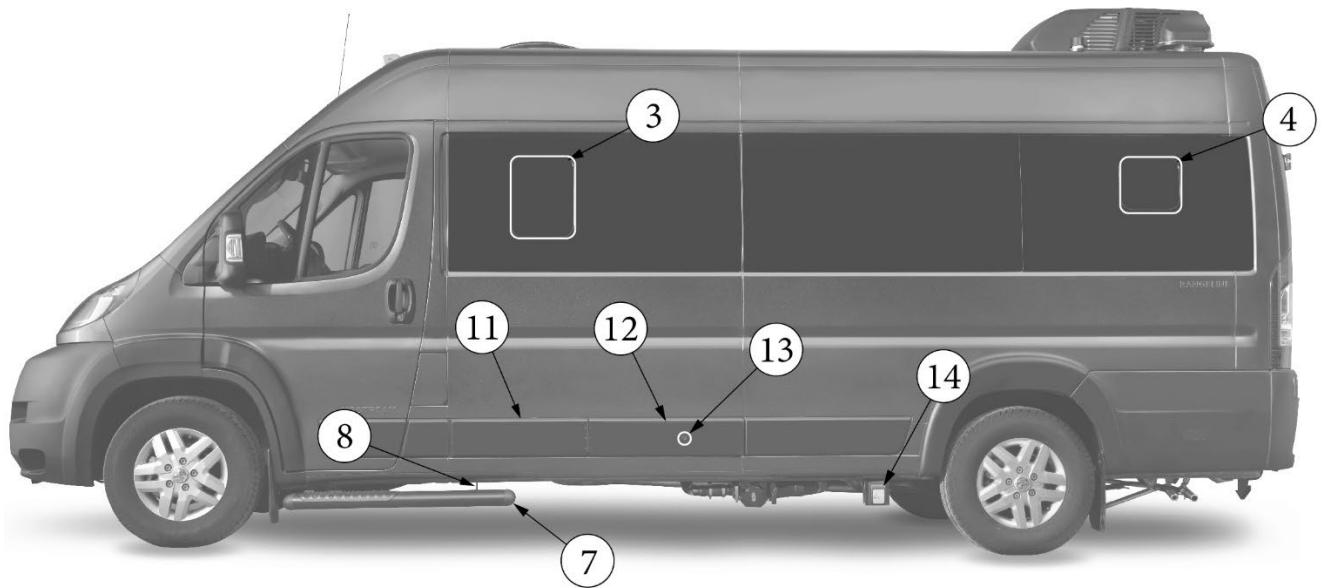
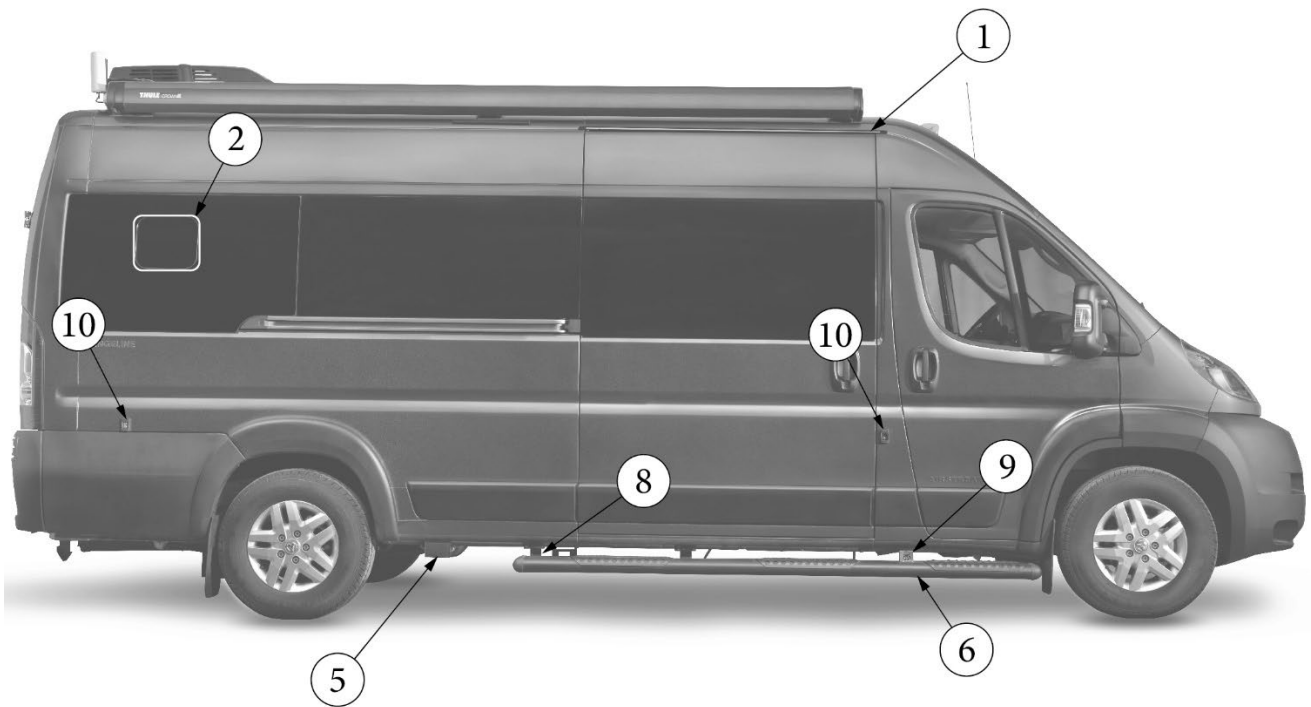
APPLIANCES

Hydronic Furnace and Hot Water System, Below Floor

113926	Install, Hydronic Heating System
1. 602854	Hose, Heater, .75"
2. 690797-08	Fuel Line, 19.5' Roll
3. 382858	Fuel Pump
4. 455600	Exhaust Tip, Stainless
5. 455733	Bracket, Muffler
6. 455914	Bracket, Elwell Burner
7. 602913	Elbow, 90-Degree, For 3/4" Hose
8. 690797-03	Heater, Gasoline, Binar 5B
9. 690797-05	Fuel Pump, Gasoline, Binar 5
10. 690797-07	Bracket Fuel Pump
11. 690797-09	Fuel Line Adapter
12. 690797-12	Exhaust Clamp, 24mm
13. 690797-13	Hose Spring Clamp, 27mm
14. 690797-14	Exhaust Tubing, 24mm, 1m length
15. 690797-15	Exhaust Muffler, 24mm
16. 690797-18	Compact Bracket, Autoterm, Slotted
17. 690797-32	Y-Split Fuel line adapter, 1/4
18. 690797-40	Exhaust Tubing, 24mm -.5m length
19. 381509	Hanger, Tailpipe, Universal swivel
20. 690797-16	Air Intake, Timberline
340073-17	Clamp, Muffler, 1.25"
340073-16	Clamp, Muffler, 2.50"
340085-11	Clamp, Loop, Steel W/Rubber, 2"
340084-20	Clamp, Hose, .81 x 1.75"
382859	Clamp, Loop D, W/ Rubber, .5"
602934	Pinch Clamp, Stainless, 1/2" to 37/64"

EXTERIOR SHELL

Exterior Components



Parts Listed on Next Page

EXTERIOR SHELL

Exterior Components

923569S	Layout, Shell
1. 514028	Light, Sliding Door
2. 372326	Window, CS Rear
3. 372324	Window, RS Front
4. 372325	Window, RS Rear
5. 514171	Electrical box, Waterproof, Single Gang, Grey
514067	Outlet cover, W/Gasket, Black
6. 455885	Running board, CS
7. 455886	Running board, RS
8. 455892	Bracket kit, Running boards
9. 116407	Bracket, Dog Tie out
10. 704993-CLAMP	Bracket, Clamp, Awning
11. 113903-1	Side trim, Front
12. 113903-2	Side trim, Door, Rear
13. 382883	Knob, Fluted Grip, Black, #10-32 x .75"
14. 513797-01	Inlet, Smart plug box

Medallions

386582	Badge, Logo, Airstream
386583	Badge, Logo, Rangeline

Front Grill

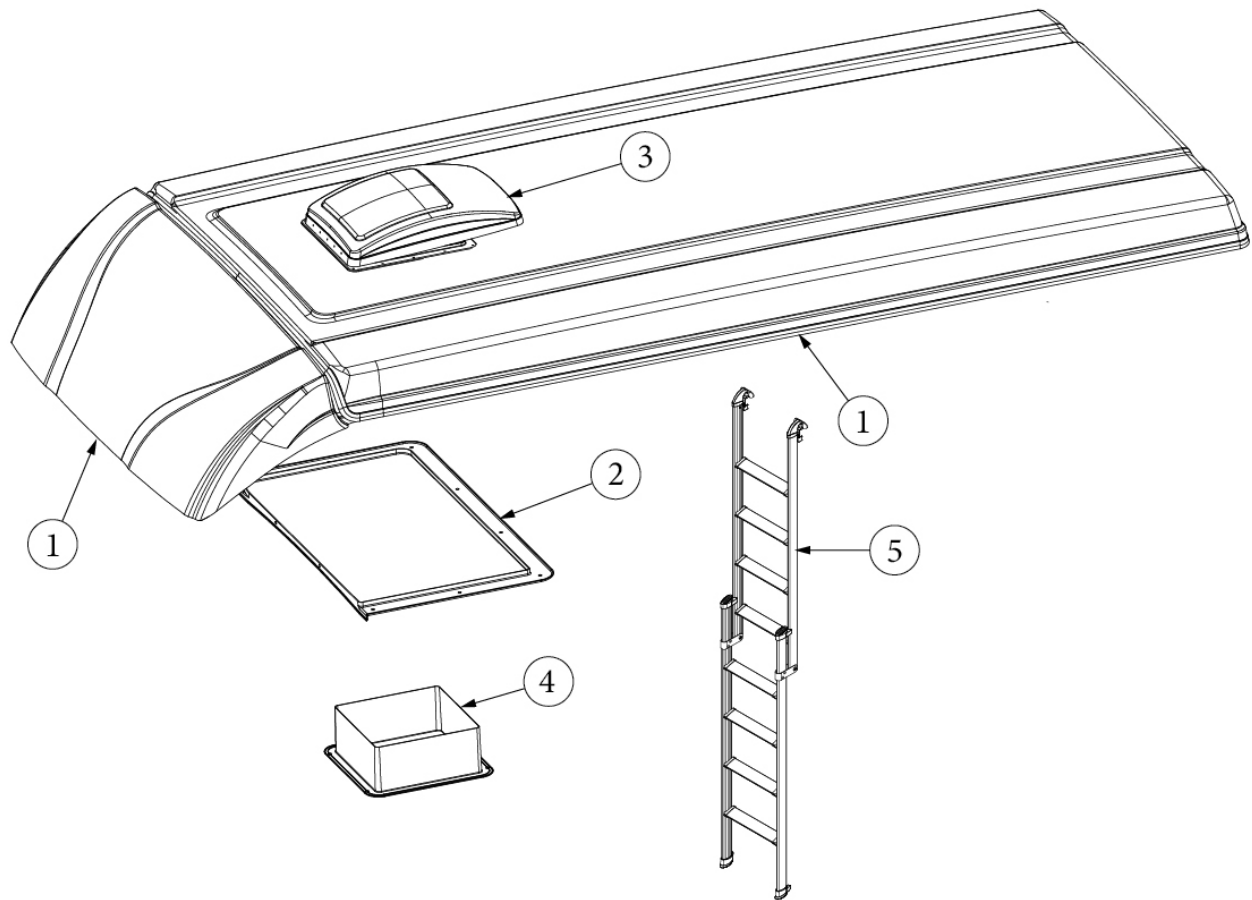
113934-03	Front grill, Flat black
-----------	-------------------------

Trim, Access Panel

113903-1	Side trim, Front, Water Access Panel
113903-2	Side trim, Door, Rear, Water Access Panel
381951-01	Hinge, Formed, Piano, Water Access Panel, 5.5"
350285	Snap in Nut, #10-32
300243	Washer, Nylon, Black, #10
382883	Knob, Fluted Grip, #10-32 x. 75"
382882	Assembly, Lanyard/Magnet, Water Access Panel
455956	Handle, Magnet Pull, Water Access Panel
340325	Round Push Nut, #10, Black
204343	Lanyard Retainer, Abs Plastic, Water Access Panel
455966	Bracket, Retainer, Water Access Panel

EXTERIOR SHELL

Pop top



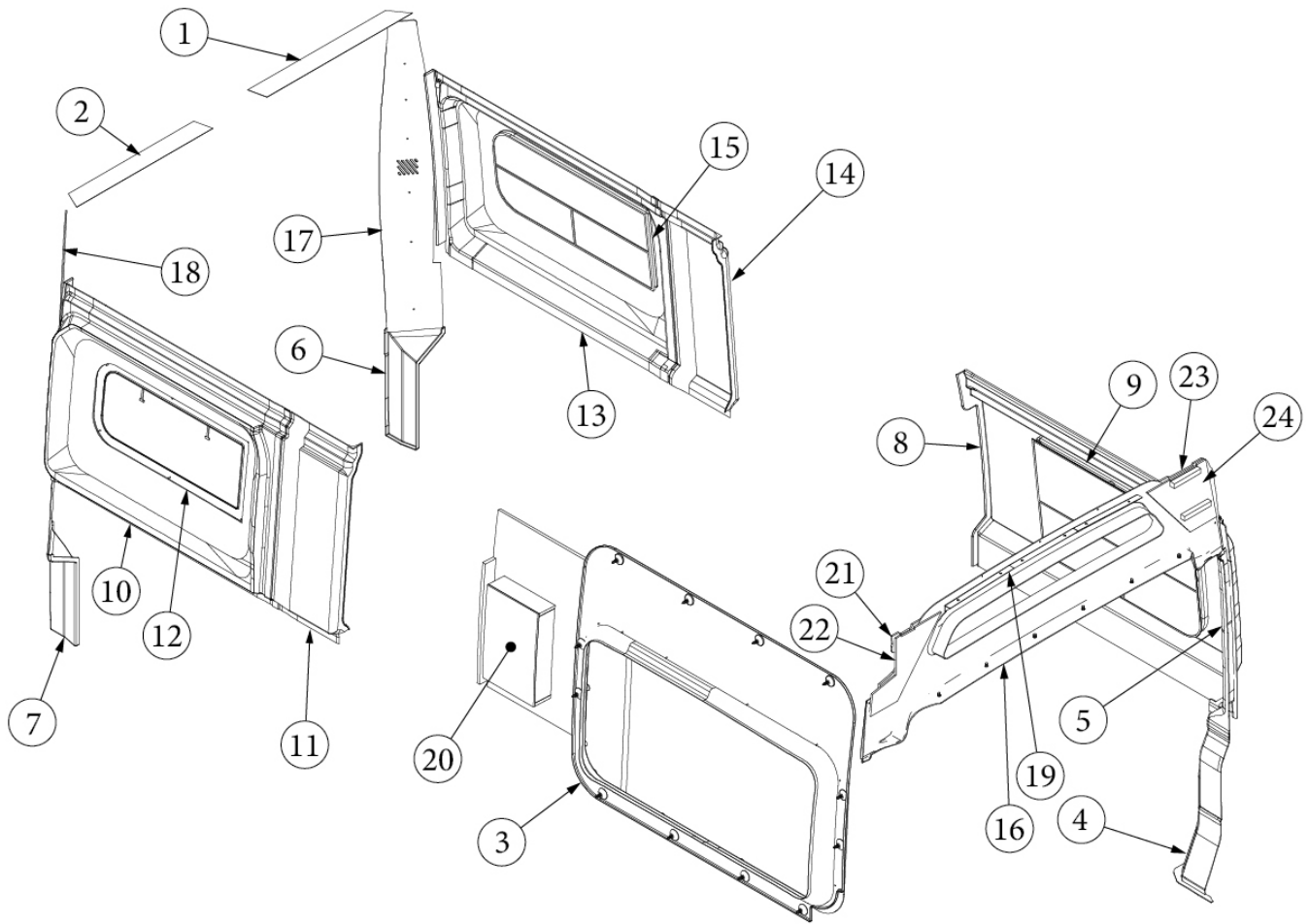
135146

Install, Pop Top

- | | |
|--------------|--------------------------------|
| 1. 204349-05 | Pop Top and Front Fairing, 1.0 |
| 2. 204338 | Trim ring, Pop top |
| 3. 382730 | Vent, Maxxair, 6401K |
| 4. 382730-01 | Shroud, Vent, Maxxair, Black |
| 5. 204349-03 | Ladder, Pop Top access |
| 705027 | Wrap, Ladder, Black Vinyl |
| 705010 | Mattress, Pop Top, 74 x 52.5" |

INTERIOR SHELL

Sidewall Panels, Pillars, and Closeouts



Parts Listed on Next Page

INTERIOR SHELL

Sidewall Panels, Pillars, and Closeouts

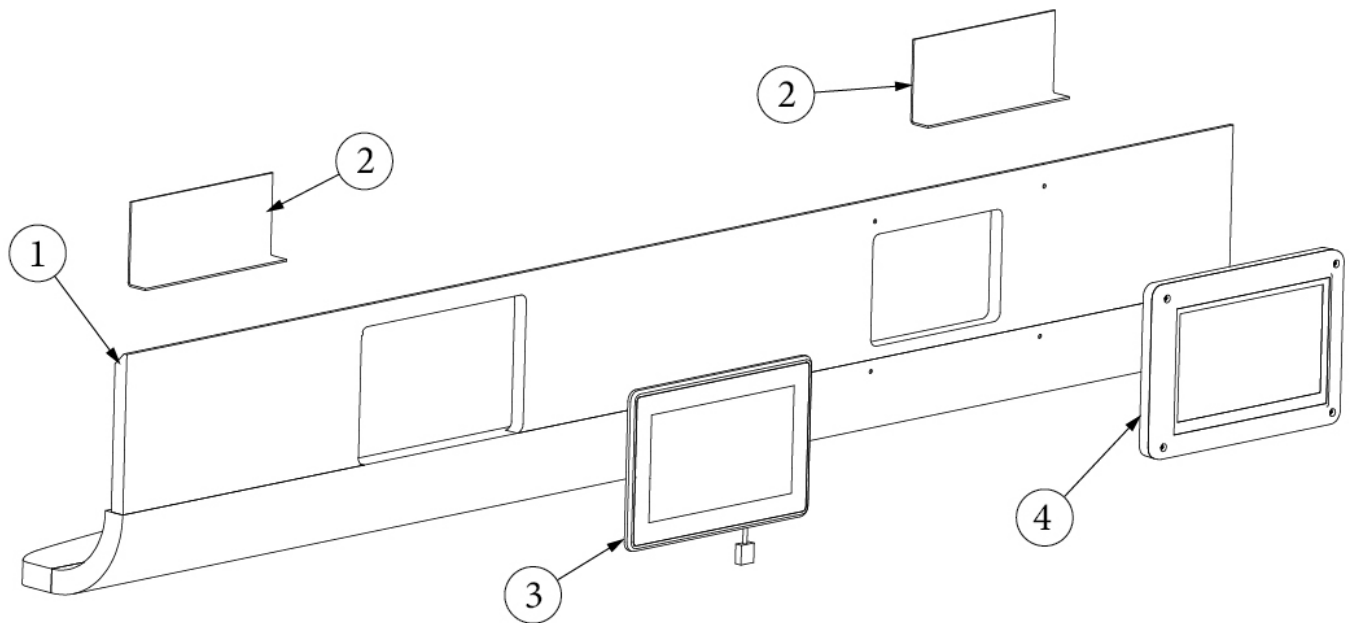
135061	Install, Sidewall Panels
1. 116462-01	Aluminum Closeout, Rear door, RS
2. 116462-02	Aluminum Closeout, Rear door, CS
3. 204307	Panel, Sliding Door, Upper, Black
4. 204315-01	Interior Panel, B Pillar, RS Lower
5. 204315-02	Interior Panel, B Pillar, RS Upper
6. 204315-03	Interior Panel, D Pillar, RS Lower
7. 204315-04	Interior Panel, D Pillar, CS Lower
8. 204315-05	Interior Panel, RS Forward Window
9. 204315-06	Interior Panel, RS Forward Frame
10. 204318-01	Interior Panel, CS Rear Window, Black
11. 204318-02	Interior Panel, CS Rear Spacer, Black
12. 204318-03	Interior Panel, CS Rear Frame, Black
13. 204318-04	Interior Panel, RS Rear Window, Black
14. 204318-05	Interior Panel, RS Rear Spacer, Black
15. 204318-06	Interior Panel, RS Rear Frame, Black
16. 204330	Cover, Front Overhead Shelf
17. 204341	Closeout, D-pillar, Upper, RS
18. 204342	Closeout, D-pillar, Upper, CS
19. 382881	Bracket, Cab Shelf Support
20. 969962	Assembly, Cubby, Galley Wall
21. 969960-01	Closeout, Cab Shelf, CS
22. 969963&000106HE	Pre laminate, .25 x 12.75 x 10.25"
23. 969960-02	Closeout, Cab Shelf, RS
24. 969963&000206HE	Pre laminate, .25 x 12.96 x 10.25"
969963&000412BB	Pre laminate, .50 x 3 x 2"
704854	Carpet, Black, PSA W/ Liner, for Aluminum Closeouts
382878	Xmas Tree Rivet, .312"
382062	Fastener, Finned, .25"
382789	Vel-washer, 7/8"
382992	Xmas tree, Large round head, .281 x 1.2"
704075	Fastener, 3M, Dual lock, 1" x 50 yard

Insulation

204333	Insulation, Mascoat, 5 gallon
--------	-------------------------------

INTERIOR SHELL

Headknocker, Sliding Door



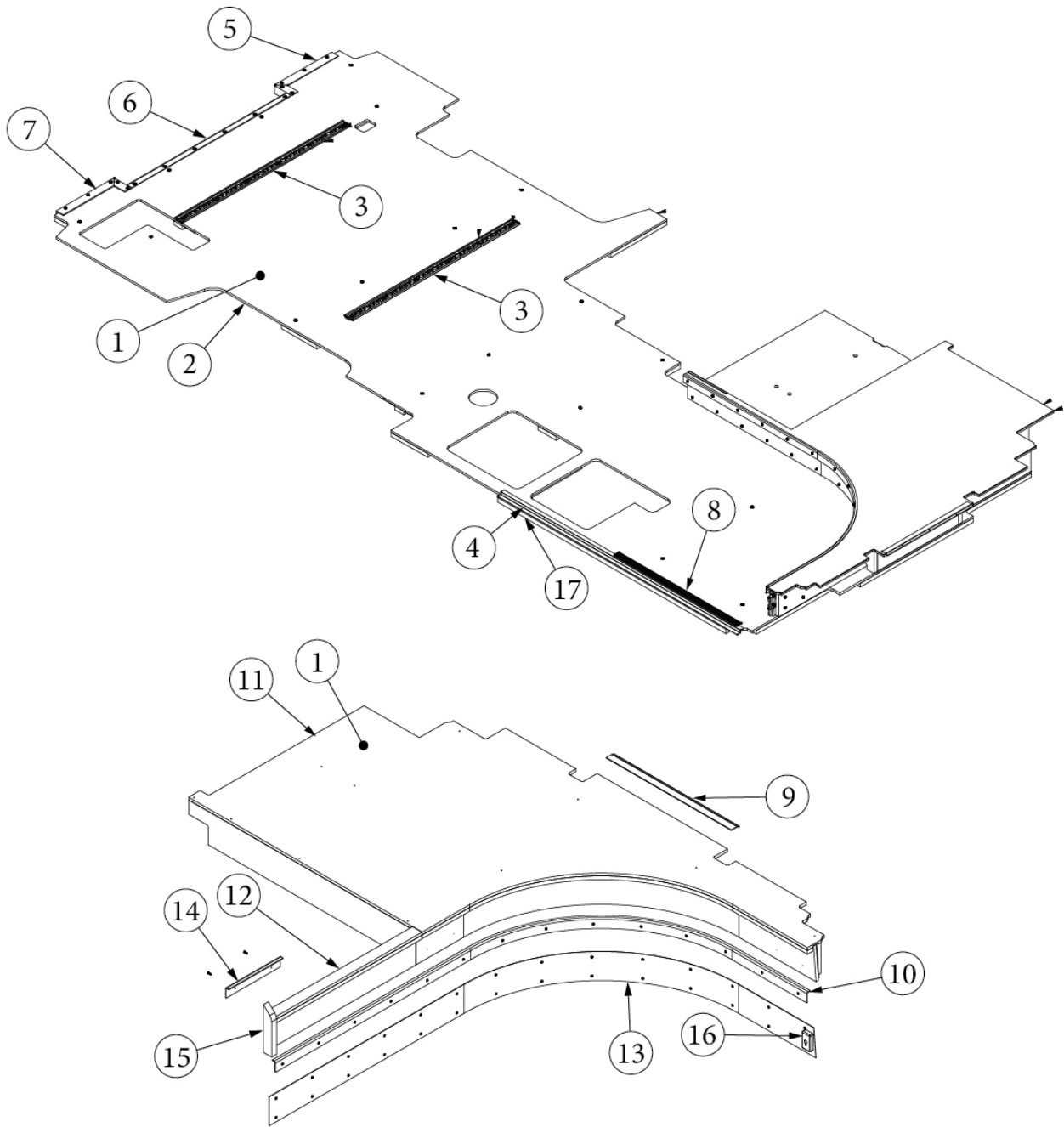
135088

Install, Headknocker, Display Panels

- | | |
|--------------|---|
| 1. 969958 | Headknocker assembly |
| 2. 116457 | Bracket, Aluminum, .75 x 2.63 x 6" |
| 3. 514049-10 | Control Panel, Display, Firefly |
| 4. 690797-19 | Control Panel, Display, Timberline |
| 514127 | Buzzer, Electric, Low current sonic, Slow pulse |
| 382884 | Bracket, Electric Buzzer |
| 320158 | Screw, #8-18 x .75", Self-Tapping |
| 365488 | Tape, 3M, Double Sided 3/8" |
| 320116-14 | Screw, Sheet metal, Control panels, #8, 2" |
| 091188-C | Vinyl cover, Matte black |

INTERIOR SHELL

Floor Assembly



Parts Listed on Next Page

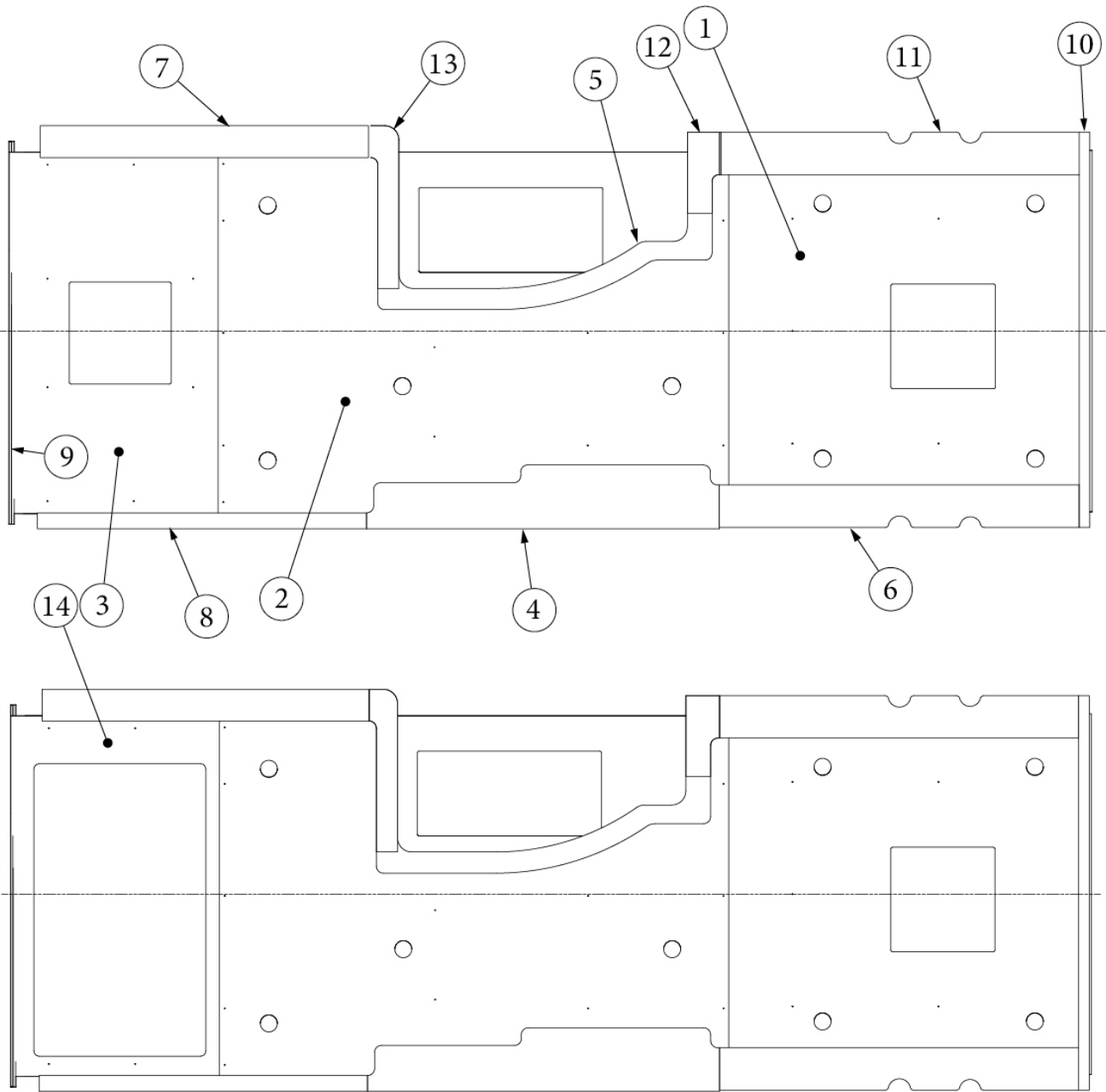
INTERIOR SHELL

Floor Assembly

135049	Install, Floor
113897	Install, Floor Riser
1. 704593	Vinyl flooring, Woven, Frosted Mink
2. 969857	Floor, Routed, Gelcoat FRP, 3/8"
3. 116447	Cargo track, Recessed
4. 455936	Cover, Entry step, 1.94 x 53"
5. 455947-01	Cover, Rear floor transition, RS
6. 455947-02	Cover, Rear floor transition, Center
7. 455947-03	Cover, Rear floor transition, CS
8. 382885	Threshold, 1-1/4 x 36"
9. 382524	Carpet bar, Black anodized, 12'
10. 116438	Trim, Step riser
11. 923617	Floor riser, Gelcoat FRP, .38 x 34.19 x 66.88"
12. 923617-01	Floor riser, Extension, Gelcoat, .38 x 1.44 x 22.38"
13. 116424	Kick plate, Aluminum
14. 116438-1	Trim, Step riser, Short
15. 969806&001818FF	Pre laminate, .75 x 1.25 x 6.50"
16. 513737	Sensor, PIR LED Light ring
17. 204313	Spacer, Screen door support
514128	Light, LED strip
360409	Dent Filler, 3M, Compound
802280	Ply, Bendable, .38" x 8' x 4' Barrel
801351	Lite Ply, 18mm x 4'x 8'
801352	Lite Ply, 12mm x 4'x 8'
114880-06	Sheet Aluminum, .04 x 51 x 152.5"

INTERIOR SHELL

Ceiling Panels



Parts Listed on Next Page

INTERIOR SHELL

Ceiling Panels

135022	Install, Ceiling Panels, Base Model
135022-01	Install, Ceiling Panels, Pop Top
1. 923623-01	Aluminum Panel, Rear
2. 923623-02	Aluminum Panel, Mid
3. 923623-03	Aluminum Panel, Forward
4. 923625	Ceiling Pad, Galley, Refer
5. 923626	Ceiling Pad, Shower, Bath
6. 923627-1	Ceiling Pad, Rear Roof Lockers
7. 923628	Ceiling Pad, Dinette Roof Locker
8. 923629	Ceiling Pad, Doorway
9. 114070	Extrusion, J-Trim, Aluminum
10. 923663	Ceiling Pad, Rear Wall
11. 923627-3	Ceiling Pad, Rear R/L, RS
12. 923673	Ceiling Pad, Shower Forward
13. 923674	Ceiling Pad, Shower Rear
14. 923623-04	Alum Panel, Forward, (Pop Top Only)
114880-02	Aluminum Sheet, .04 x 51 x 284.5"
802233	Panel, Azdel, Composite, 2.7mm 4 x 8'
800507-02	Lauan, 1/4" x 4' x 8'
091188-C	Vinyl cover, Matte black
360282-04	Glue, L10n-155, Clear, 155# Canis

CHASSIS

Chassis Prep

923574	Install, Floor Prep
382888	Gasket, Pass thru cover
360340	Undercoat, Epoxy primer
512412	Bushing, Snap-in, .75"

Front Seat Base, Swivel

411230-01	Seat base, Swivel, RS
411230-02	Seat base, Swivel, CS

Running Boards

113836	Install, Running Boards
455885	Running board, CS
455886	Running board, RS
455892	Bracket kit, Running boards
116407	Bracket, Dog Tie out
320254	Screw, 1/4-20 x1 .25"
300111-25	Washer, Flat, 1/4"
345377	Nut, Nylon Lock, 1/4-20

Skid Bars

135004	Install, Skidbars
455931	Skid bar
345797	Bolt, 9/16"-12 X 1-3/4" Grade 8
350287	Nut, 9/16" Serrated, Grade 8
300240	Washer, 9/16" Steel Washer, Grade 9

Lug Nut Covers

386617	Cover, Lug Nut, Black
386617-01	Cover, Lug Nut, Chrome
386617-02	Removal Tool, Lug Nut Cover

CHASSIS

Sumo Springs

135197

Install, Sumo Springs, Rear

411231

Sumo Spring, Yellow, Assembly

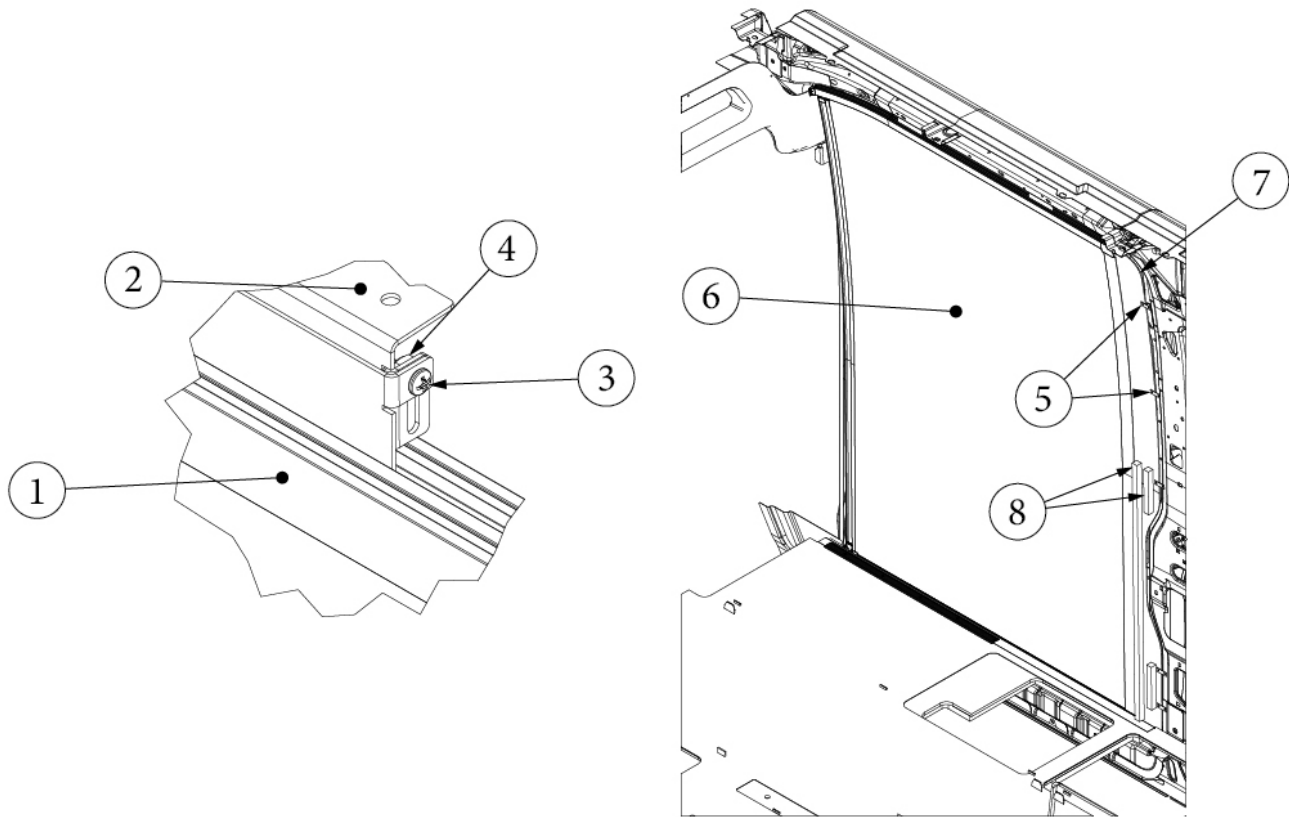
DOORS, WINDOWS, AWNINGS

Sliding Door Components

204307	Panel, Sliding Door, Upper, Black
382062	Fastener, Finned, .25"
514028	Light, Sliding Door
969958	Assembly, Headknocker
514127	Buzzer, Electric, Low current sonic, Slow pulse
320116-14	Screw, Sheet metal, Control panels, #8, 2"
091188-C	Vinyl cover, Matte black

DOORS, WINDOWS, AWNINGS

Sliding Screen Door



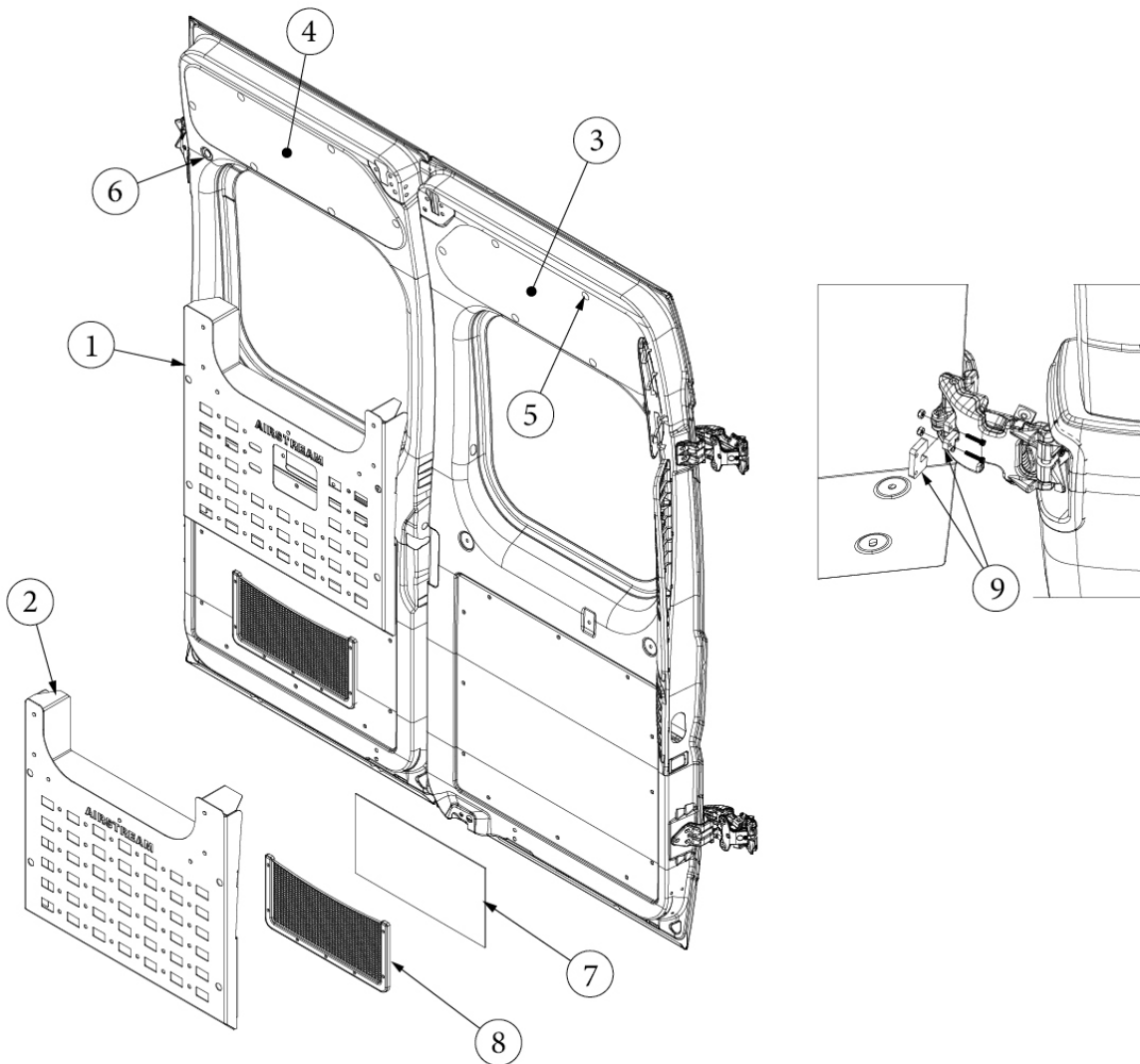
113921

Install, Sliding Screen Door

- | | |
|-------------|--|
| 1. 116433-1 | Bracket, Screen Door, #1 |
| 2. 116433-2 | Bracket, Screen Door, #2 |
| 3. 345614 | Screw, #6-32 x .625, Pan |
| 4. 350175 | Locknut, Stainless, Nylon Insert #6-32 |
| 5. 382691 | Bracket, Flat Surface, .5" x 1.5" |
| 6. 704990 | Screen Door, Sliding |
| 7. 365458 | Rubber Seal, 5/8" x 3/8", w/PSA |
| 8. 360417 | Seal, Gasket, w/Adhesive Back |
| 204313 | Space, Screen door support |
| 386311 | Label, Screen door warning |

DOORS, WINDOWS, AWNINGS

Rear Door Components



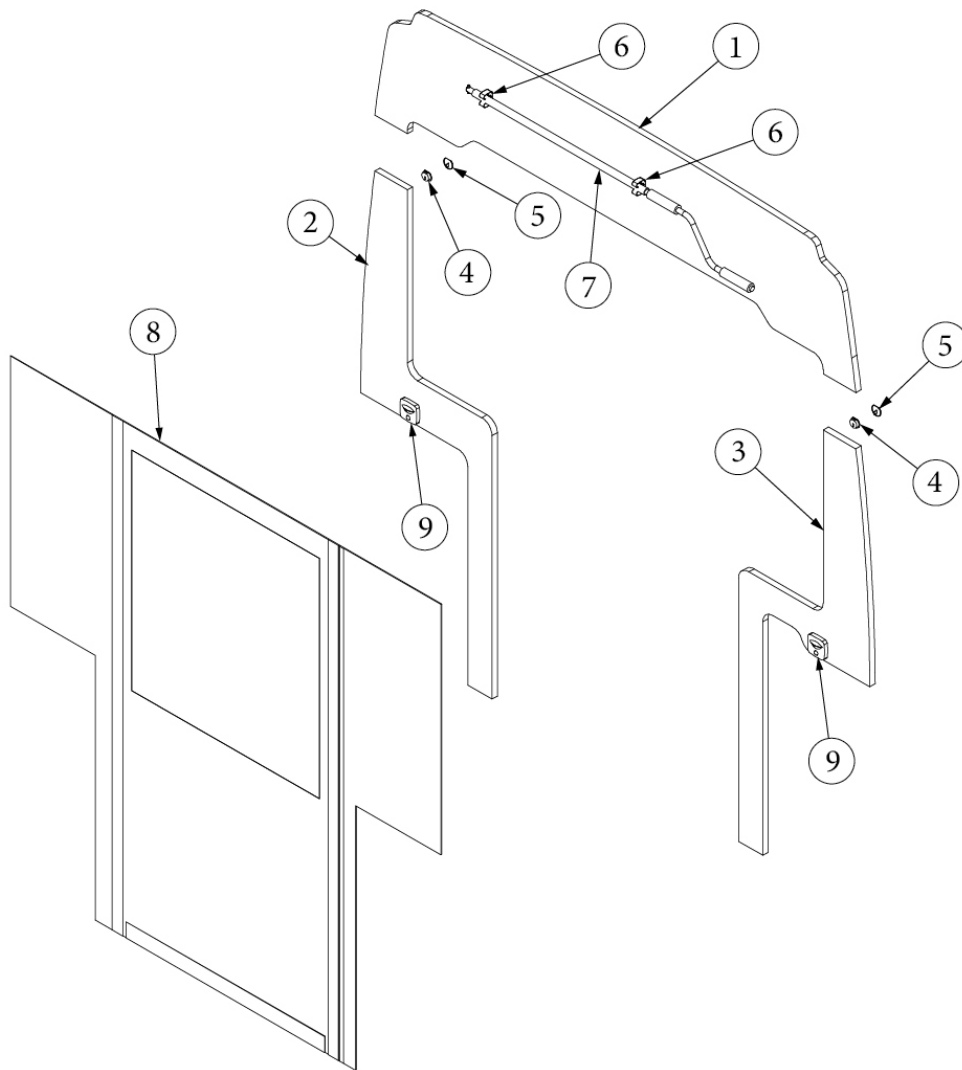
135048
113839

Install, Rear Door Panels
Install, Rear Door Stop

- | | |
|--------------|---------------------------------|
| 1. 382872 | Molle Panel, CS |
| 2. 382873 | Molle Panel, RS |
| 3. 204317-01 | Rear Upper Door Cover, RS |
| 4. 204317-02 | Rear Upper Door Cover, CS |
| 5. 382878 | Rivet, Xmas Tree, .312" Dia. |
| 6. 382850 | Plug, Promaster Rear Door |
| 7. 116460 | Backer Plate, Stretch Net |
| 8. 382991 | Stretch Net, Plastic Framed |
| 9. 382828 | Hinge Limiter, Rear door stop |
| 101110 | Sheet Aluminum, .09 x 48 x 120" |

DOORS, WINDOWS, AWNINGS

Screen and Panel Frame, Rear Door



113875

Install, Screen Door, Rear

- | | |
|--------------------|------------------------------------|
| 1. 969803&000118BH | Pre laminate, .75 x 19.08 x 57.44" |
| 2. 969803&000218BH | Pre laminate, .75 x 19.08 x 57.44" |
| 3. 969803&000318BH | Pre laminate, .75 x 16.69 x 69.26" |
| 4. 382057 | Knockdown, 8mm |
| 5. 113875&0003C01A | D-Cover, Cap |
| 6. 382879 | Clamp, Vinyl |
| 7. 704996-ARM | Awning Rod |
| 8. 705007 | Screen door, Rear, Canvas |
| 9. 514045 | Light, LED w/motion detection |

DOORS, WINDOWS, AWNINGS

Windows

372326	Window, CS Rear
204318-03	Interior panel, Frame, CS Rear
372324	Window, RS Front
204315-06	Interior panel, Frame, RS Front
372325	Window, RS Rear
204318-06	Interior panel, Frame, RS Rear

Window Coverings

705011-01	Window Cover, Sliding door, 2-piece
705011-02	Window Cover, Bench Seat
705011-03	Window Cover, Bed Left, RS
705011-04	Window Cover, Bed Right, CS
382789	Velwasher, 7/8"
704992	Thermal Window Curtain Kit, 3-piece, Reflective

Awning

135007	Install, Awning
704993	Awning, Thule
704993-01	Rail, Awning, Full length
704993-02	Adapter, Thule, Mount bracket, 3pc
704993-CLAMP	Bracket, Awning foot clamp, Small, 2pc
704993-ARM	Rod, Crank, Awning extension
514205	Light, Thule LED strip, Awning

ELECTRICAL, 110 VOLT

Power Center

514029 Power Center, 120VAC, 30A
514043 Transfer switch, 30A

Inverter/Charger

514018 Inverter/Charger, 2000W, Xantrex XC Pro
514060-250 Breaker, 250A

Shoreline Hookup

513797-01 Inlet, Smart plug box
513809 Power cord, 30 amp, 30', SmartPlug

Receptacles and USB Ports

513317-01 Decorator plate, 2 gang, Black
511815-02 Decorator plate, 1 gang, Black
514067 Cover, Waterproof, Black, w/gasket
512481-02 Receptacle, Single, Brown, 20A, Under galley
511815-01 Receptacle, Duplex, Black
514155 Receptacle, Pop up
513740 USB, 4-port, 2A, Black

Breakers

510564-01 Breaker, Bryant, 20AMP
510564-02 Breaker, Bryant, 30AMP
510564-04 Breaker, Type BRD, BD 20-20
510564-06 Breaker, 20 GFI
514060-250 Breaker, 250A
514060-40 Breaker, 40A

ELECTRICAL, 12 VOLT

Battery

514020	Battery, Gamechanger, 270Ah, Battleborn
204314	Insulation cover, Battery
386588	Label, Warning, Battery ground
386552	Label, Vented battery compartment

Breakers & Fuses

510947-15	Breaker, 12V DC, Type II, 12V15
510947-30	Breaker, 12V DC, Type II, 12V30
510947-40	Breaker, 12V DC, Type II, 12V40
500773-01	Fuse, ATC, 12VDC, 1 amp
500773-05	Fuse, ATC, 12VDC, 5 amp
500773-15	Fuse, ATC, 12V DC, 15 Amp
500773-20	Fuse, ATC, 12VDC, 20 amp
512660-50	Terminal fuse, 50 amp, Red
512660-60	Terminal fuse, 60 amp, Gold
512660-75	Terminal fuse, 75 amp, Brown
512660-200	Terminal fuse, 200 amp, Blue
514199-300	Fuse, Flosser, 300A
514199-75	Fuse, Flosser, 75A
512661	Fuse terminal, Single stud
513661	Fuse holder, Midi Inline
513450-01	Fuse block, Surface mount, common source
510946-04	Bracket, Breaker, 12V, 4-position

ELECTRICAL, 12 VOLT

Chassis & House Charging

514227 DC-DC Converter, Orion-Tr Smart

Charger, Cellphone

514136 Phone mount, w/Wireless charger & USB
455941 Bracket, Phone charger

Cable Kits, Main 12VDC

514041 Cable kit, Main 12VDC

Tank Sensors

514050-01 Tank Monitor, Seelevel Soul
514051-01 Sender Pad, Seelevel, 12"
514051-09 Sender Pad, Seelevel, 9"

Tank Heaters

514074 Heater Pad, Tank, 25-gallon max
514069 Heater Pad, Pipe Elbow, Black Tank 13 x 3"
514073 Heater Pad, Pipe Elbow, Gray Tank, 8 x 3"

Switches

514046 Battery Disconnect, Mini master
514043 Transfer switch, 30A

ELECTRICAL, 12 VOLT

Interior Lights

514128	Light, LED strip, 69"
514135	Light, Reading, Touch lens, Pivoting
514134	Light, LED, Super thin, Aluminized, frosted lens
514045	Light, LED w/motion detection
513737	Sensor, PIR LED Light ring
512376	LED shower light, SS trim ring

Exterior Lights

514133	Utility light, Courtesy, Water service compartment, LED
513103	Lightbar, Dump Valve, 16"
514028	Light, Sliding door

ELECTRICAL, 12 VOLT

Solar System

135078	Install, Solar Panels
135145	Install, Solar Panels, Pop Top
514132	Solar panel, 200W
514019	Solar controller, Go Power, 30A
513006	Roof, Solar entry plate
204309	Spacer, Solar port
204346	Spacer, Solar port, Pop Top

Buzzer, Electric

135136	Install, Electric Buzzer
514127	Buzzer, Electric, Low current sonic, Slow pulse
382884	Bracket, Electric Buzzer
320158	Screw, #8-18 x .75", Self-Tapping
365488	Tape, 3M, Double Sided 3/8"

ELECTRICAL, 12 VOLT

Firefly System



514049

Multiplexer Kit, Firefly

1. 514049-01 Control board, G12
2. 514049-02 TruState model, SOC
3. 514049-03 Vegatouch
4. 514049-04 Drop tag, G4 common
5. 514049-05 drop tag, G4 terminator
6. 514049-06 Multi-protocol bridge
7. 514049-07 EMS, Dual Relay, Module
8. 514049-08 Control panel, RF, Large, Bed area
9. 514049-09 Control panel, RF, Small, Entry cubby
10. 514049-10 Touchscreen display, Firefly

ENTERTAINMENT

Audio

514068-01 Speaker, Bluetooth, JBL Flip 6
514070 Bracket, Speaker lock, for JBL Flip 6

Video

513793 Enclosure, King antenna prewire cap
204306 Spacer, Roof antenna
513637-14 Harness, Loomed, 3M, 2-WiFi, 1-GPS, 2-Cellular cables
514030 King antenna, Omni go
512406 Connector, RG6 Hex compression
512407 Coax cable, RG6

Airstream Connected

514215 Router, Peplink-Max, Bri Mini, HW3
513637-12 Peplink wifi/GPS/cellular antenna base, Black
513637-02 WiFi antenna mounting kit
513637-14 Harness, 3M, 2 WiFi, 1 GPS
204276 Spacer, 5G antenna

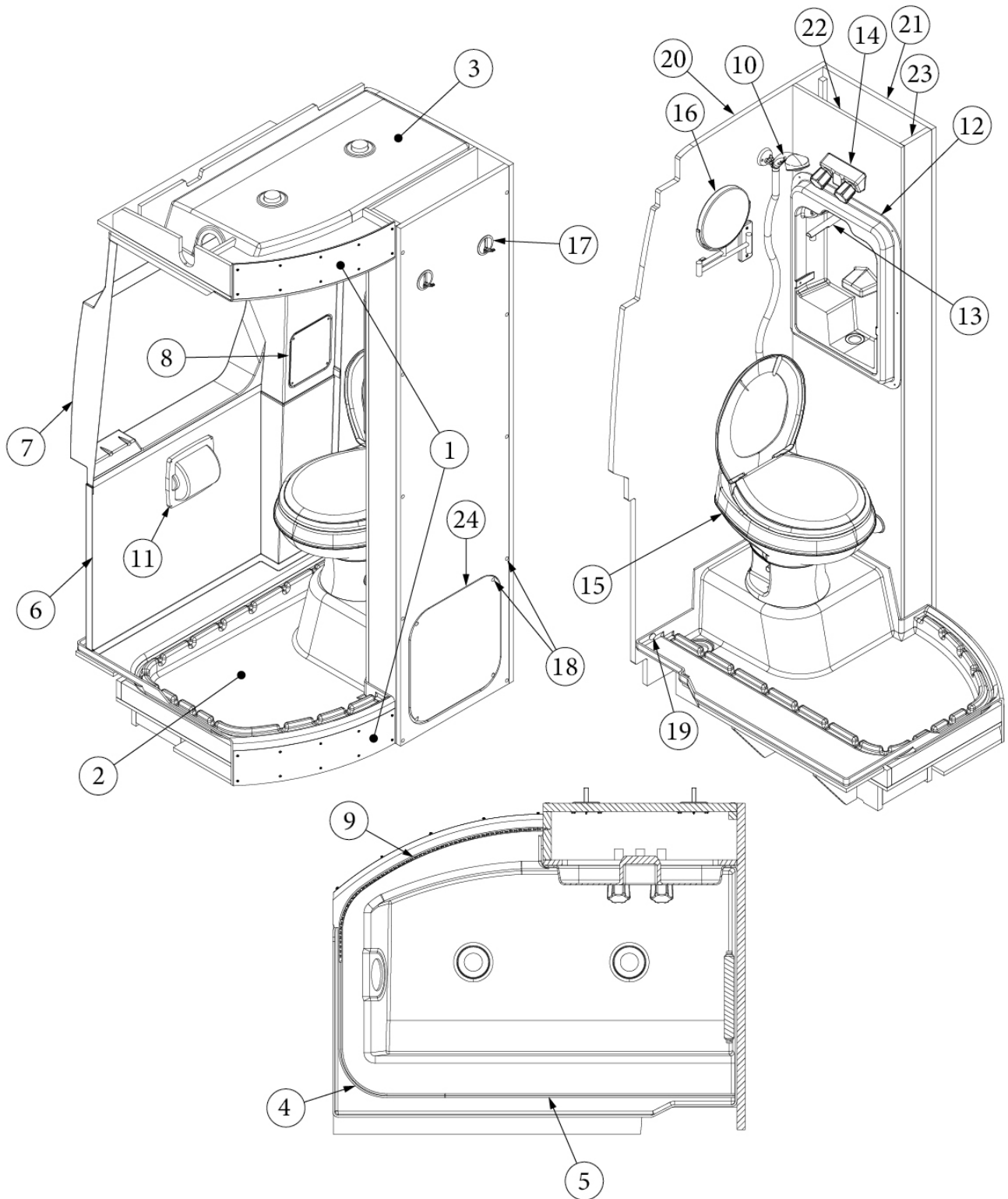
FLOOR COVERINGS

Floor Covering

704593	Vinyl flooring, Woven, Frosted Mink
705017	Mat, Bench Seat

FURNITURE, LAVATORY

Wetbath Module



Parts Listed on Next Page

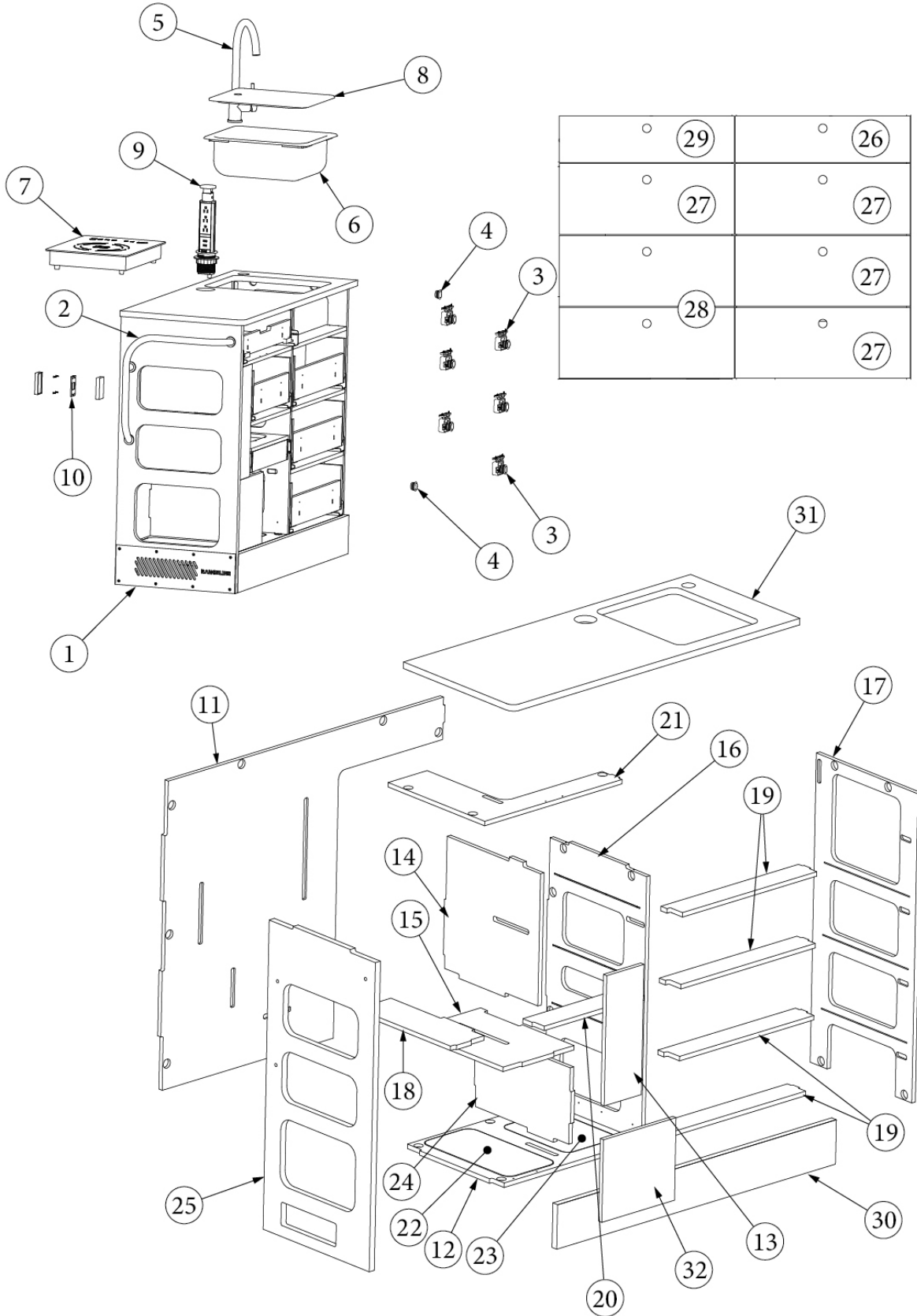
FURNITURE, LAVATORY

Wetbath Module

135077	Shower Install
1. 116459	Closeout, Aluminum, Shower, 5 x 21.2"
2. 204294	Lower Pan, Shower
3. 204303	Upper Pan, Shower
4. 204297-01	Track, Curved, Shower Door
5. 204297-02	Track, Straight, Shower Door
6. 204336-01	Shower Wall, Lower
7. 204336-02	Shower Wall, Upper
8. 204336-03	Access Cover, Shower Wall
9. 204337	Tambour Door, Silver, 62 x 25"
705035	Vinyl Strap, Shower Door
10. 601358	Shower Head Unit, Chrome
602959	Flow Regulator Washer
11. 602175	Holder, Dryroll Toilet Roll, White
12. 602928	Sink, Flip Down, Calf Grain White
13. 602954	Faucet, Fold Down, Brushed Nickel
204347	Spacer, Bathroom Faucet
14. 604877-01	Shower Valve, Faucet
15. 690707	Toilet, Dometic 301, White
16. 371423-04	Mirror, Wall Mount, Nickel
371423-01	Retainer Clip, Mirror 1.88"
17. 340326	Hook, Recessed, 2.5"
320029	Screw #8x3/4 Pan Head Phil Dr
452276	Steel backer, Hook, Galvanized, 3 x 3"
18. 381610-06	Cover, Cap, Grey
19. 381081-04	Cap, Snap Top, White #8
20. 969890&000118HC	Pre laminate, 35.55 x 74.25"
21. 969890&000218FF	Pre laminate, 18 x 74.25"
22. 969890&000312HC	Pre laminate, 18 x 74.18"
23. 969890&000418HC	Pre laminate, 4.5 x 74.25"
24. 969890&000512FF	Pre laminate, 14.81 x 15.81"
114880-06	Sheet Aluminum, .040 x 51 x 152"

FURNITURE, GALLEY

Galley Cabinet



FURNITURE, GALLEY

Galley Cabinet

113852	Galley Install
1. 116437 320253-0050	Kick Plate, Toe, W/Rangeline Logo Screw, #8 x .5"
2. 382876 345788 300225	Grab Handle Screw, 5/16-18 x 1.25 Washer, 5/16 x 1.25 Fender
3. 382836	Whisper Latch, Pull, Complete
4. 382836-01 382836-02	Round Knob Only, Whisper Latch Bezel Only, Whisper Latch
5. 602898	Faucet, No Pull Down, Dehco
6. 602260	Sink, Stainless, 13 X 15"
7. 514023	Cooktop, Induct, 1000W, Single burner
8. 602925	Cutting board, Bamboo
9. 514155	Outlet, Pop Up
10. 514049-09 204345 345739	Control Panel, RF, Small, Entry Cubby Spacer, RF Switch, Black Screw #4 Flat Head
11. 802704-1	Pre laminate, .5 x 41.81 x 36.5"
12. 802704-2	Pre laminate, .5 x 16.05 x 21.15"
13. 802704-3	Pre laminate, .5 x 5.58 x 15.375"
14. 802704-4	Pre laminate, .5 x 15.51 x 16.59"
15. 802704-5	Pre laminate, .5 x 10.86 x 15.52"
16. 802704-6	Pre laminate, .5 x 16.05 x 36.86"
17. 802704-7	Pre laminate, .5 x 16.63 x 36.5"
18. 802704-8	Pre laminate, .5 x 5.56 x 15.52"
19. 802704-9	Pre laminate, .5 x 3 x 20.84"
20. 802704-10	Pre laminate, .5 x 3.25 x 15.46"
21. 802704-11	Pre laminate, .5 x 20.8 x 15.81"
22. 802704-12	Pre laminate, .5 x 7.31 x 14.31"
23. 802704-13	Pre laminate, .5 x 7.88 x 10.88"
24. 802704-14	Pre laminate, .5 x 10 x 15.75"
25. 802704-15	Pre laminate, .75 x 17.38 x 36.85"
26. 802704-16	Pre laminate, .75 x 20.69 x 5.5"
27. 802704-17	Pre laminate, .75 x 20.69 x 8.38"
28. 802704-18	Pre laminate, .75 x 20.69 x 16.88"
29. 802704-19	Pre laminate, .75 x 20.69 x 5.5"
30. 802704-20	Pre laminate, .75 x 41.75 x 5.25"
31. 802704-21	Pre laminate, .75 x 43.00 17.88"
32. 802704-22	Pre laminate, .5 x 10.88 x 9.75"

Parts List Continued Next Page

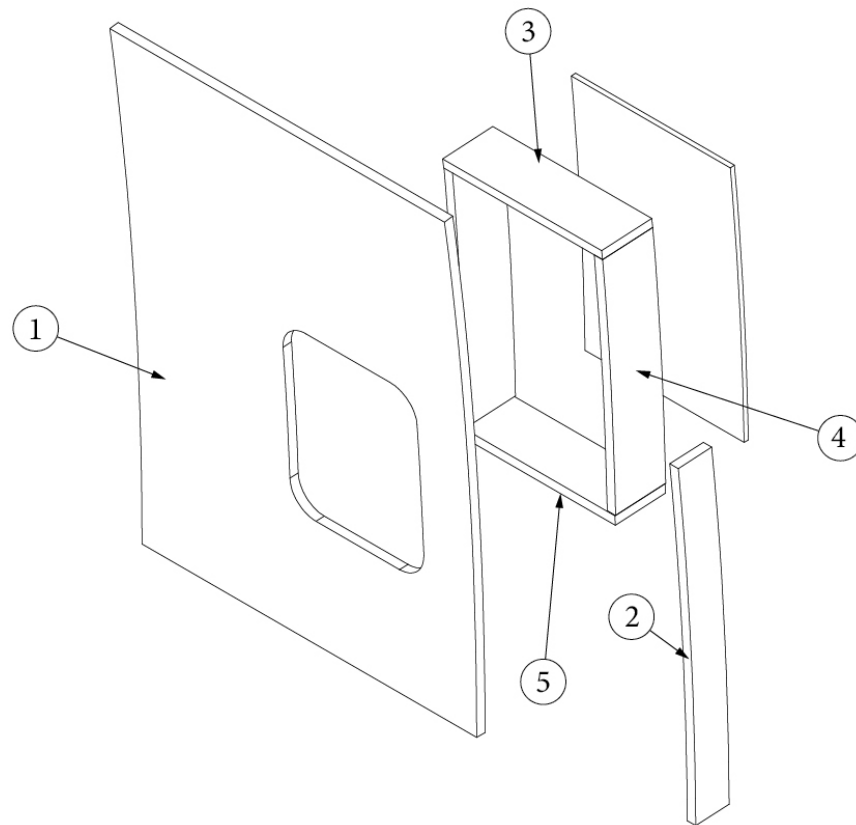
FURNITURE, GALLEY

Galley Cabinet

705006	Mat, Rubber, Cubby floor, 10 x 15.125"
802679	Drawer box, 2.75 x 20 x 15"
802681	Drawer box, 4 x 19.5 x 12"
802682	Drawer box, 2.75 x 19.5 x 15"
802680	Drawer box, 2.75 x 14.43 x 15"
969856	Drawer box, 2.75 x 14.05 x 15.63"
203942-03	T-molding, 13/16", Black
381400	Drawer Slides, 14"
381708	Wastebasket, 11.38 x 8.25 x 12"
382820-02	Drawer Slides, 12" Soft Close
382820-03	Drawer Slides, 15" Soft Close
382820-06	Clips, Slides
382880-01	Caravan Connector, Milky White
382880-02	Caravan Connector Lid, Light Brown
700617	Scotchmate, Velcro, Hook
360420	Tape, 3M Loop Fastener, 1" Black

FURNITURE, GALLEY

Cubby, Galley Wall



969962

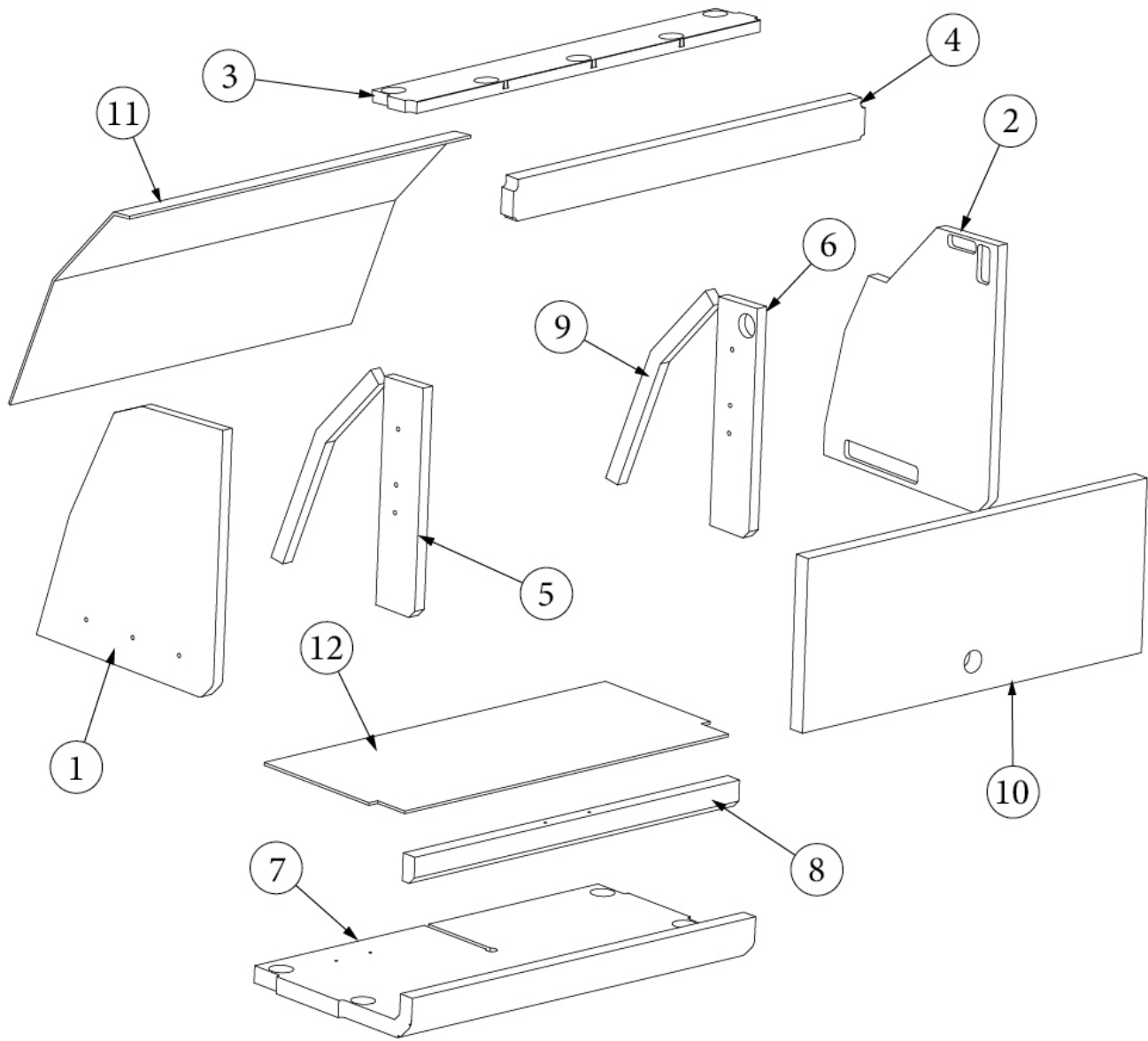
Install, Cubby, Above Galley

- 1. 969962&000112FF
 - 2. 969962&000212FF
 - 3. 969962&000312FF
 - 4. 969962&000412FF
 - 5. 969962&000612FF
- 203445
800507-02
704854

- Pre laminate, 20 x 27.75"
 - Pre laminate, 2.25 x 19"
 - Pre laminate, 3.04 x 9.5"
 - Pre laminate, 3.12 x 13.63"
 - Pre laminate, 3 x 9.5"
- T-molding, 9/16", Black
Luan, 1/4" x 4' x 8'
Carpet, Black, PSA W/Liner

FURNITURE, GALLEY

Roof Locker, Galley



Parts Listed on Next Page

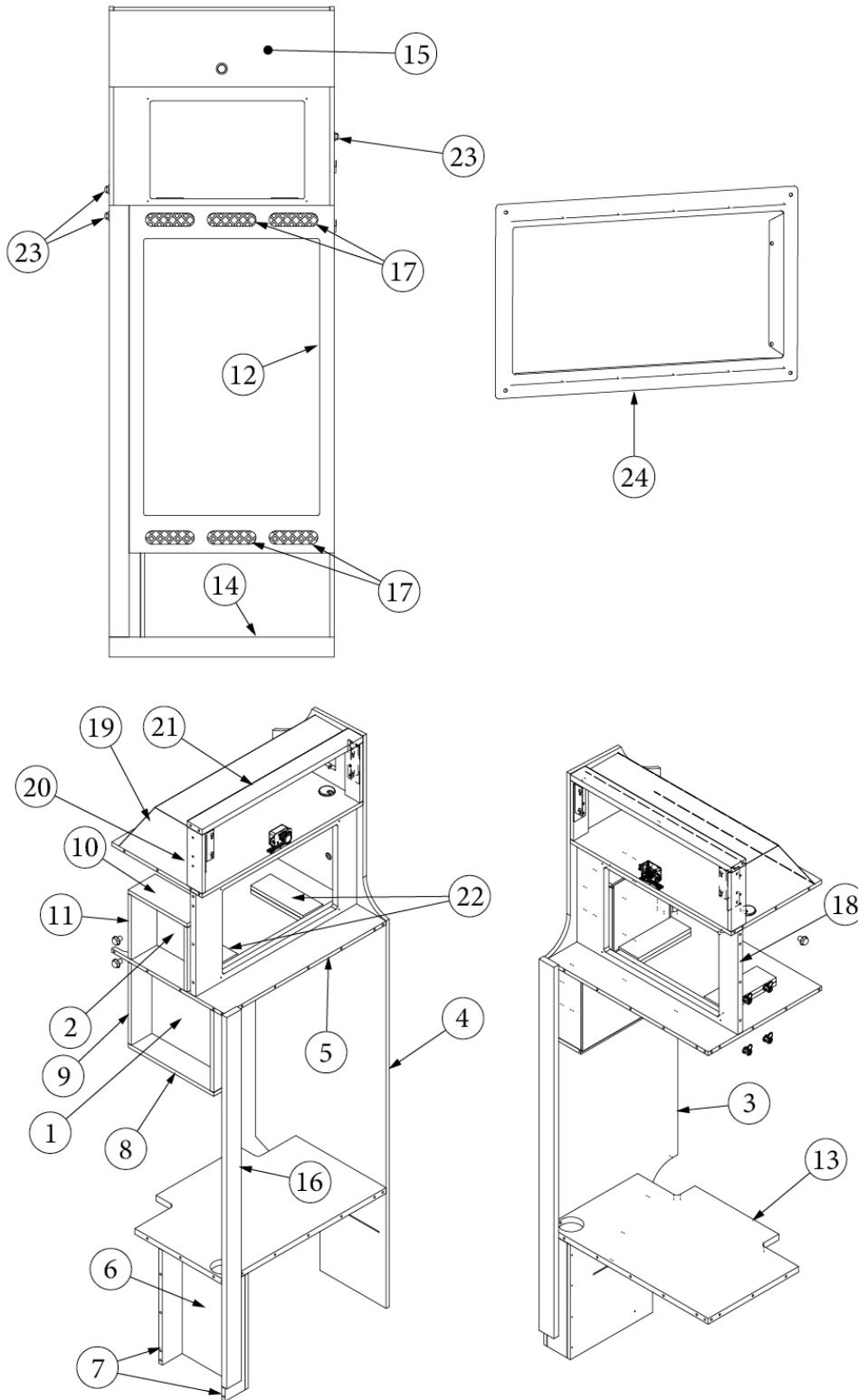
FURNITURE, GALLEY

Roof Locker, Galley

802707	Assembly, Galley Roof Locker
1. 802707-1	Pre laminate, .5 x 10.97 x 12.19"
2. 802707-2	Pre laminate, .5 x 10.97 x 12.19"
3. 802707-3	Pre laminate, .5 x 2.88 x 19.97"
4. 802707-4	Pre laminate, .75 x 1.88 x 19.97"
5. 802707-5	Pre laminate, .5 x 2.5 x 10.38"
6. 802707-6	Pre laminate, .5 x 2.5 x 10.38"
7. 802707-7	Pre laminate, .75 x 10.1 x 19.97"
8. 802707-8	Pre laminate, .5 x 1.25 x 18.44"
9. 802707-9	Pre laminate, .5 x 2.56 x 12"
10. 802707-10	Pre laminate, .75 x 7.81 x 19.25"
11. 195619-01	Plyfelt Backer, Black, .12 x 19.38 x 13.07"
12. 195620-01	Plyfelt Locker, Liner, .12 x 8.5 x 19.38"
514068-01	Speaker, Bluetooth, JBL Flip 6
514070	Bracket, Speaker lock, for JBL Flip 6
382836	Whisper Latch, Pull, Complete
382541	Hook, Polished chrome
382990	Hinge, Overhead spring, Nickel
382880-01	Caravan Connector, Milky White

FURNITURE, GALLEY

Refrigerator and Microwave Cabinet



Parts Listed on Next Page

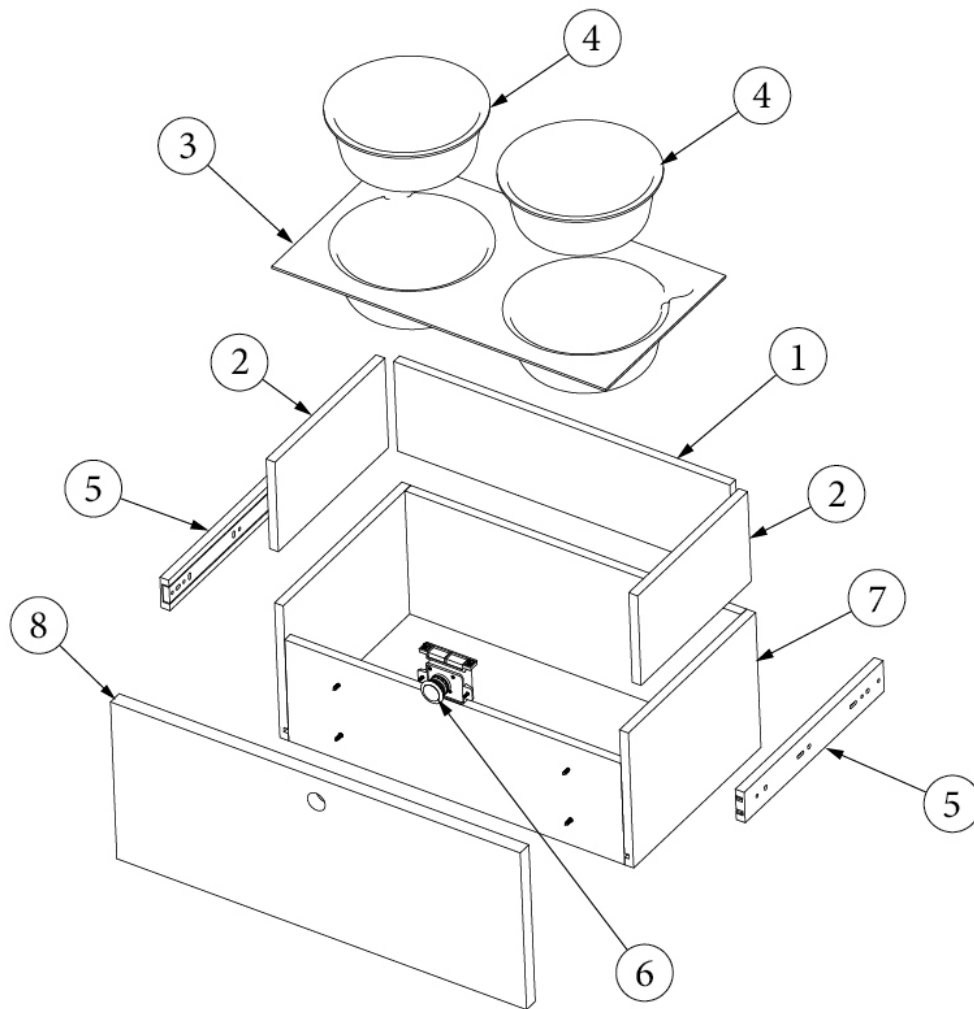
FURNITURE, GALLEY

Refrigerator and Microwave Cabinet

969767	Assembly, Refer Cabinet
1. 969767&000106FE	Pre laminate, 12.5 x 11"
2. 969767&000206FE	Pre laminate, 8.5 x 8.75"
3. 969767&000312FF	Pre laminate, 24.13 x 73.72"
4. 969767&000412FF	Pre laminate, 24.13 x 73.72"
5. 969767&000512FF	Pre laminate, 24.5 x 21.25"
6. 969767&000612FF	Pre laminate, 12.5 x 15.17"
7. 969767&000712FF	Pre laminate, 3.04 x 15.17"
8. 969767&000812FF	Pre laminate, 3.38 x 13"
9. 969767&000912FF	Pre laminate, 3.38 x 10.75"
10. 969767&001012FF	Pre laminate, 4.13 x 9"
11. 969767&001112FF	Pre laminate, 4.13 x 8.5"
12. 969767&001218FF	Pre laminate, 23.25 x 75.2"
13. 969767&001318FF	Pre laminate, 24.5 x 18.5"
14. 969767&001418FF	Pre laminate, 25.5 x 2.25"
15. 969767&001518FF	Pre laminate, 7.14 x 23.13"
16. 969767&001618FF	Pre laminate, 2.25 x 69.85"
17. 204147	Mesh, Stretchable Plastic
18. 969767&001918FF	Pre laminate, 23.25 x 13.55"
19. 969767&002012FF	Pre laminate, 24.5 x 21.25"
20. 969767&002412FF	Pre laminate, .5 x 2.25 x 7.89"
21. 969767&002618FF	Pre laminate, 24.5 x 2.25"
22. 969767&003812FF	Pre laminate, .5 x 3 x 8"
23. 690797-10	Temp Sensor, Elwell
690797-11	Cover, Temp Sensor, Elwell
690648-04	Trim Kit, Bezel, Microwave, For 690648-02
116458	Closeout, Aluminum, Refer cab
116167-01	Sheet aluminum, .023 x 30 x 160"
382990	Hinge, O/H Spring, Nickel
386570-01	Edgebanding, 1500 Grey, 5/8"
386570-02	Edgebanding, 1500 Grey, 15/16"
969767&0027T01B	T-Moulding, 1/2"
345760	Screw, 1/4"-203/*8" Flat Head
382836	Whisper Latch, Pull, Complete
350189	Nut, Tee, 6 Prong, 1/4-20
381209-01	Grommet, W/Cap Black, 1.5" Hole
386436	Screw Cover, 1/4-20, Plastic Snap
345801	Euro Screw, 6.3mm x 13mm

FURNITURE, GALLEY

Pet Food Station



135059

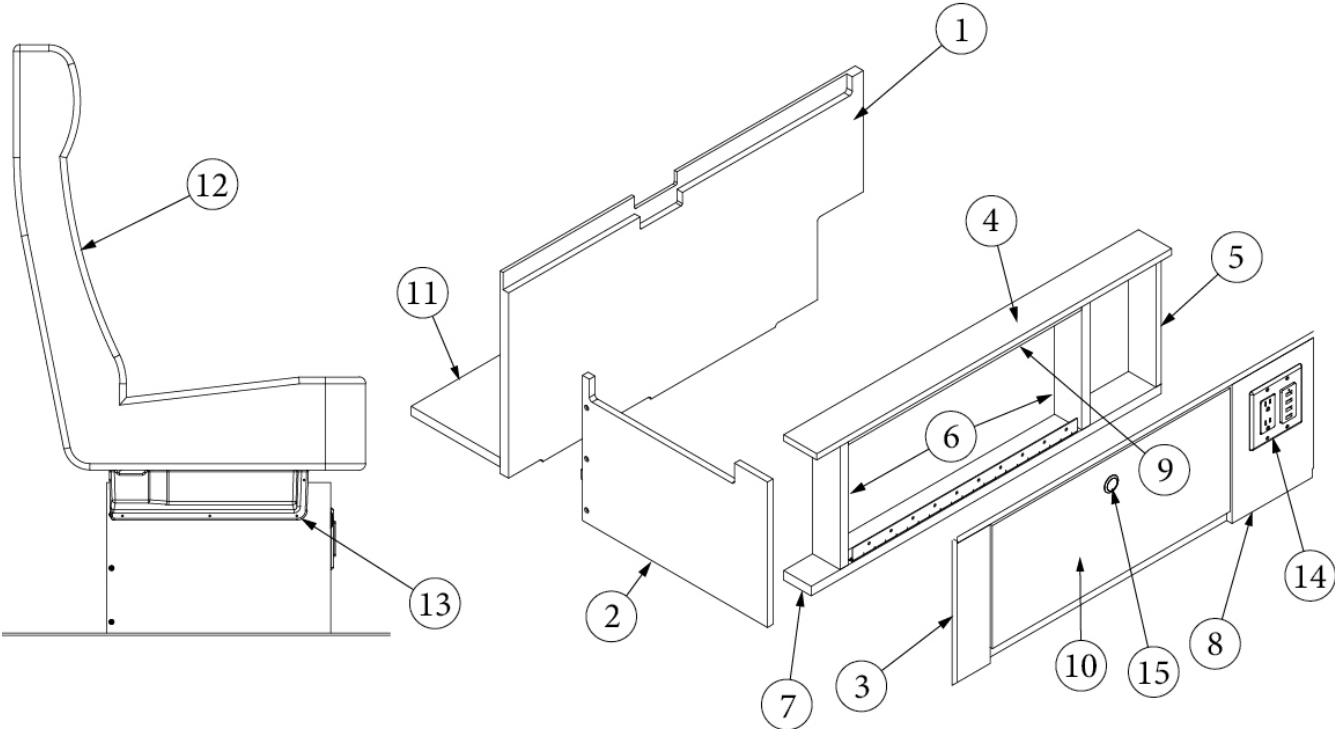
Install, Pet Food Station

1. 135059&000112BB
2. 135059&000212BB
3. 204319
4. 204320
5. 381400-01
6. 382836
7. 969771
8. 969771&000118FF

- Pre laminate, .5 x 5.25 x 19.34"
Pre laminate, .5 x 5.25 x 10"
Tray, Pet Food
Bowl, Pet Food
Drawer Slides, 12"
Whisper Latch, Pull, Complete
Drawer box, Refer cabinet, Pet Station
Pre laminate, 9.38 x 23"

FURNITURE, LOUNGE

Bench Seat



Parts Listed on Next Page

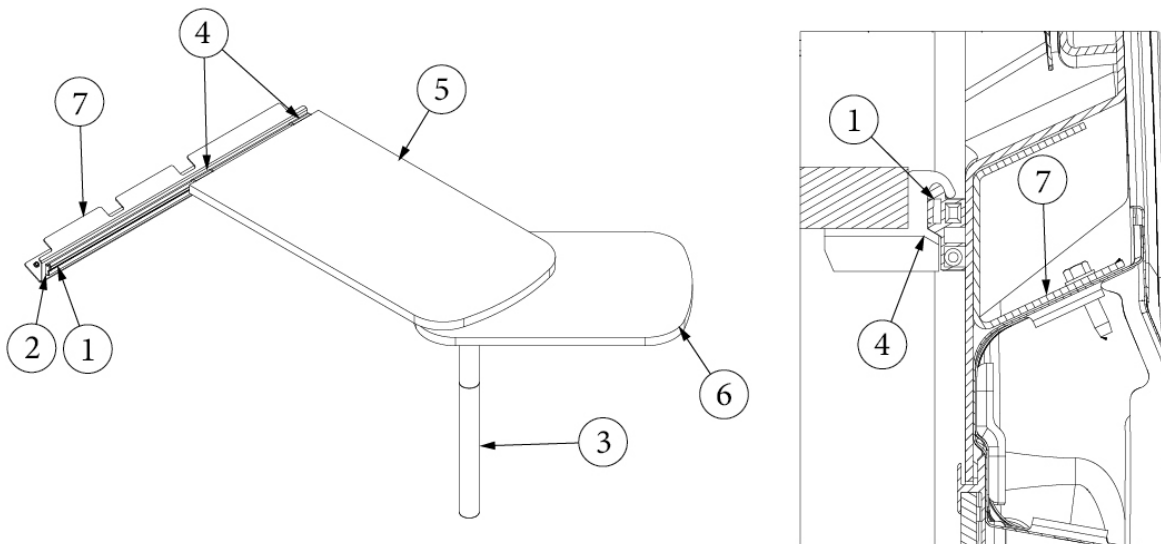
FURNITURE, LOUNGE

Bench Seat

135099	Install, Bench Seat Enclosure
969957	Assembly, Bench Seat Enclosure
113969	Install, Bench Seat
1. 969957&000118BB	Pre laminate, 16.88 x 32.38"
2. 969957&000212BB	Pre laminate, 11.48 x 16.88"
3. 969957&000312BB	Pre laminate, 10.98 x 6"
4. 969957&000412BB	Pre laminate, 3 x 32.38"
5. 969957&000512BB	Pre laminate, 3 x 10.23"
6. 969957&000618BB	Pre laminate, 3 x 10.23"
7. 969957&000718BB	Pre laminate, 3 x 31.95"
8. 969957&000812BB	Pre laminate, 10.98 x 7.3"
9. 969957&000918BB	Pre laminate, 3 x 21.33"
10. 969957&001012BB	Pre laminate, 9.73 x 21.7"
11. 969957&001118BB	Pre laminate, 8.13 x 27.32"
12. 704997	Bench seat, Admiral Navy
705001	Bench seat, Moonstone Grey
13. 204344	Closeout, Bench seat
14. 511815-01	Receptacle, Duplex, Black
513740	USB, 4-port, 2A, Black
513317-01	Decorator plate, 2 gang, Black
15. 382836	Whisper Latch, Pull, Complete
705017	Mat, Bench Seat
380203-01	Piano Hinge, 1/8"
386572-01	Edgebanding, Plank Urban Oak, 5/8"
386572-02	Edgebanding, Plank Urban Oak, 15/16"
455901	Bracket, Bench Seat, Long
455902	Bracket, Bench Seat, Short
455928	Bracket, Bench Seat, RS
345084	Screw, 1/4-14 x 1", Cutting
345269-24	Bolt, 1/2-13 x 6" HHC-FL, THD-Grade 5
345477-03	Bolt, 1/2-13 x 3" HHC-PRT, THD-Grade 5
300115	Washer, Flat, .5" x 2.38"
300147	Washer, Flat, ID .53" OD 1.1"
300241	Washer, Flat, .5 x 1.25., Grade 5
350132	Nut, Flanged, Mac-Lock, 1/2-13, Grade 5

FURNITURE, LOUNGE

Dinette Table



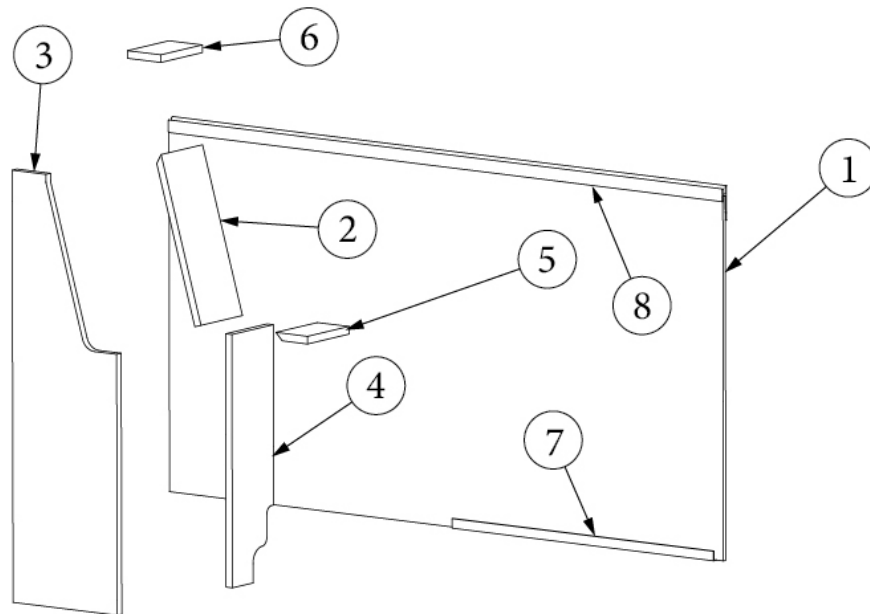
135036

Install, Dinette Table

- | | |
|--------------|------------------------------|
| 1. 382864-01 | Slide Rail, 36" |
| 2. 382864-02 | End Caps, Pair |
| 3. 382864-03 | Table Leg, 28" |
| 4. 382864-04 | Mounting Clips, Pair |
| 5. 602929-01 | Table, Bench Seating, Large |
| 6. 602929-02 | Table, Bench Seating, Small |
| 7. 455951 | Bracket, Table Mounting |
| 345084 | Screw, Self-tap, 1/4-14 x 1" |

FURNITURE, LOUNGE

Dinette Wall



135040
969939

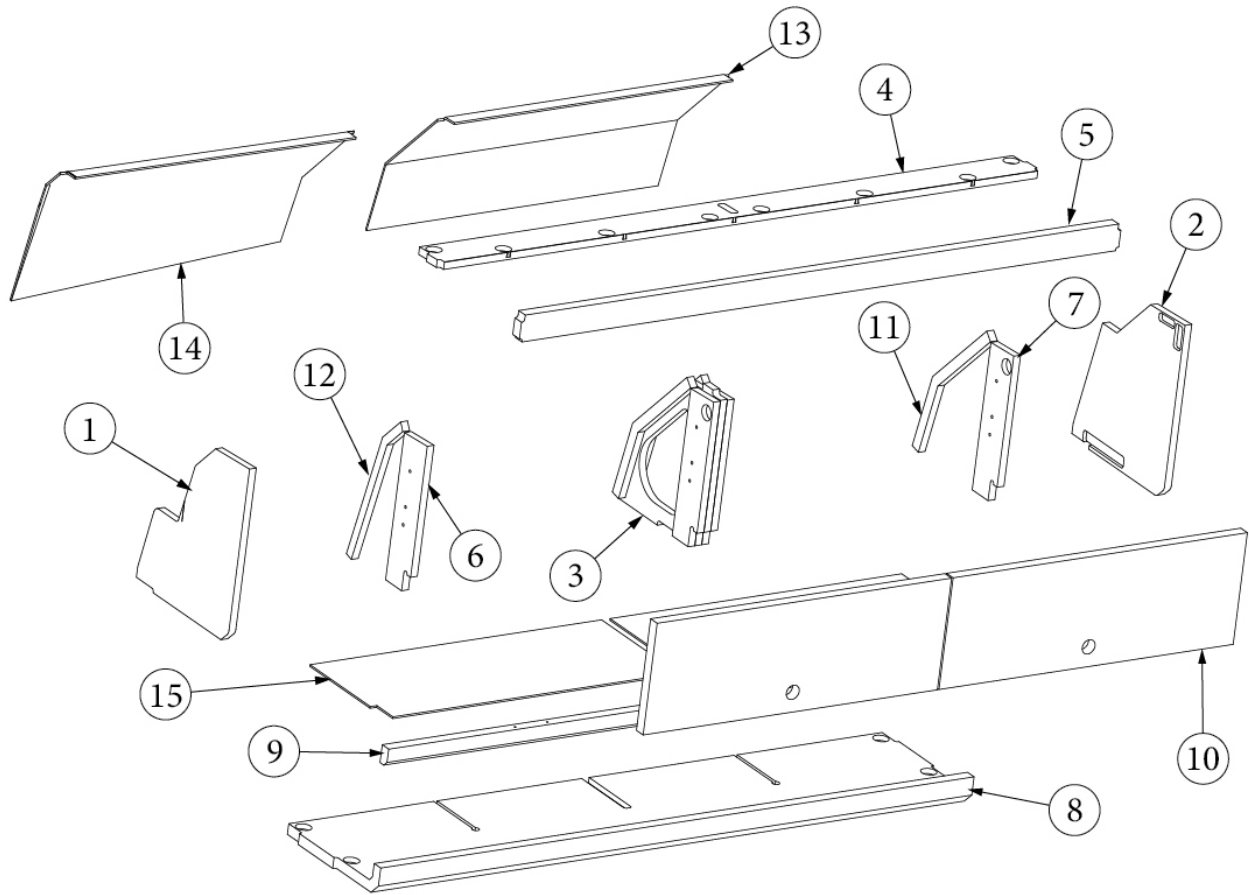
Install, Dinette Wall
Assembly, Dinette wall

1. 969939&000106BE
2. 969939&000212BB
3. 969939&000312BB
4. 969939&000412BB
5. 969939&000512BB
6. 969939&000612BB
7. 116448
8. 116213

- Pre laminate, 44 x 23.75"
Pre laminate, 4.5 x 11.25"
Pre laminate, 17 x 8.14"
Pre laminate, 4.5 x 16.5"
Pre laminate, 2.5 x 4.5"
Pre laminate, 2.67 x 4.5"
J Channel, Satin, 7/16" x12'
Extrusion, Midwall, 8'

FURNITURE, LOUNGE

Roof Locker, Dinette



Parts Listed on Next Page

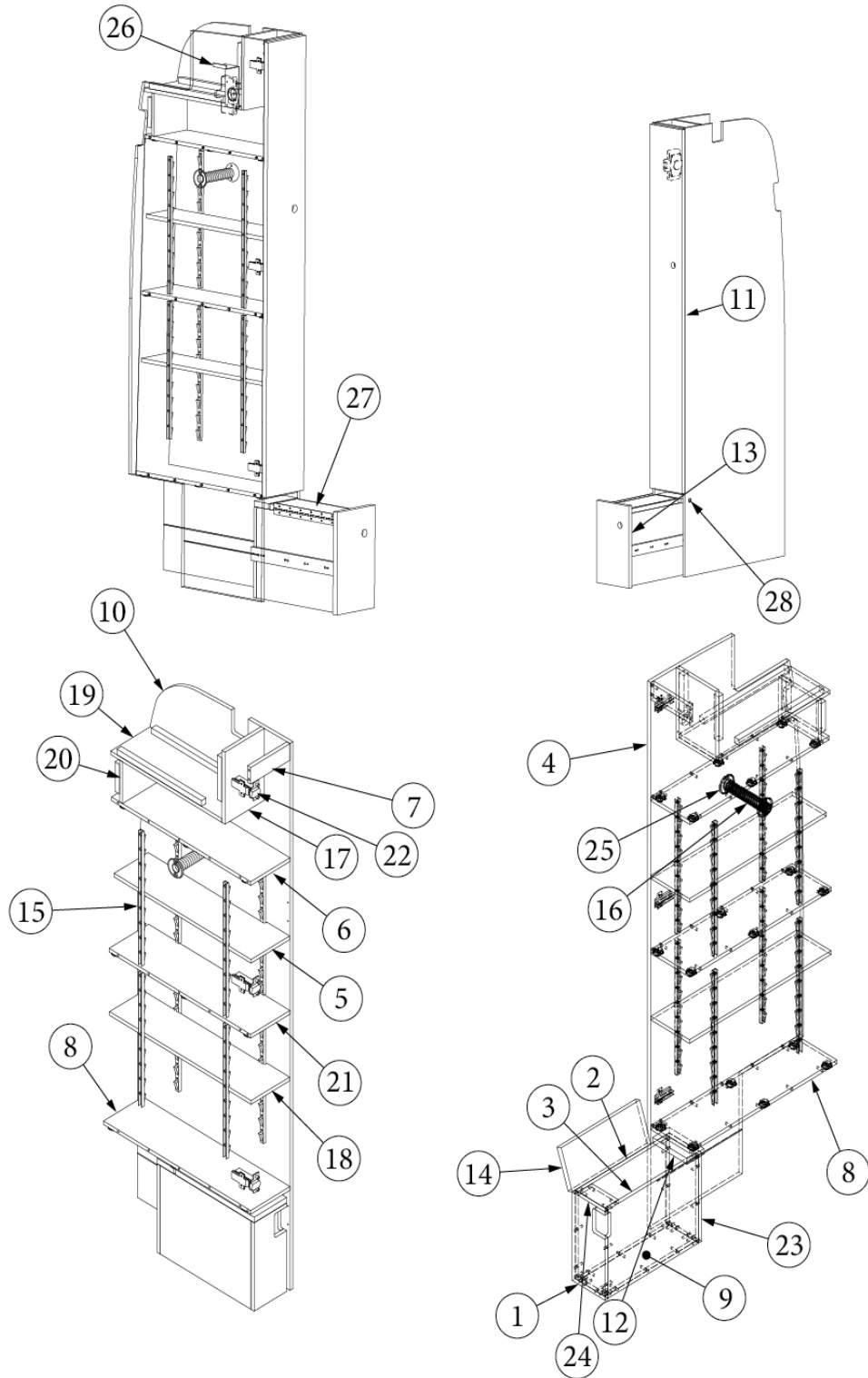
FURNITURE, LOUNGE

Roof Locker, Dinette

802706	Assembly, Dinette Roof Locker
1. 802706-1	Pre laminate, .5 x 10.68 x 12.25"
2. 802706-2	Pre laminate, .5 x 10.6 x 12.25"
3. 802706-3	Pre laminate, .5 x 9.63 x 10.84"
4. 802706-4	Pre laminate, .5 x 46.47 x 2.88"
5. 802706-5	Pre laminate, .75 x 46.47 x 1.88"
6. 802706-6	Pre laminate, .5 x 2.63 x 10.44"
7. 802706-7	Pre laminate, .5 x 2.63 x 10.44"
8. 802706-8	Pre laminate, .75 x 10.41 x 46.47"
9. 802706-9	Pre laminate, .75 x 1.25 x 46"
10. 802706-10	Pre laminate, .75 x 22.81 x 7.81"
11. 802706-11	Pre laminate, .5 x 4.35 x 12.35"
12. 802706-14	Pre laminate, .5 x 4.3 x 11.66"
13. 195619-02	Plyfelt Backer, Black, .12 x 22.6 x 13.51"
14. 195619-03	Plyfelt Backer, Black, .12 x 22.75 x 13.3"
15. 195620-02	Plyfelt Locker Liner, Black, .12 x 8.88 x 22.61"
382836	Whisper Latch, Pull, Complete
382990	Hinge, Overhead spring, Nickel
382880-02	Caravan Connector, Brown

FURNITURE, BED

Pantry



Parts Listed on Next Page

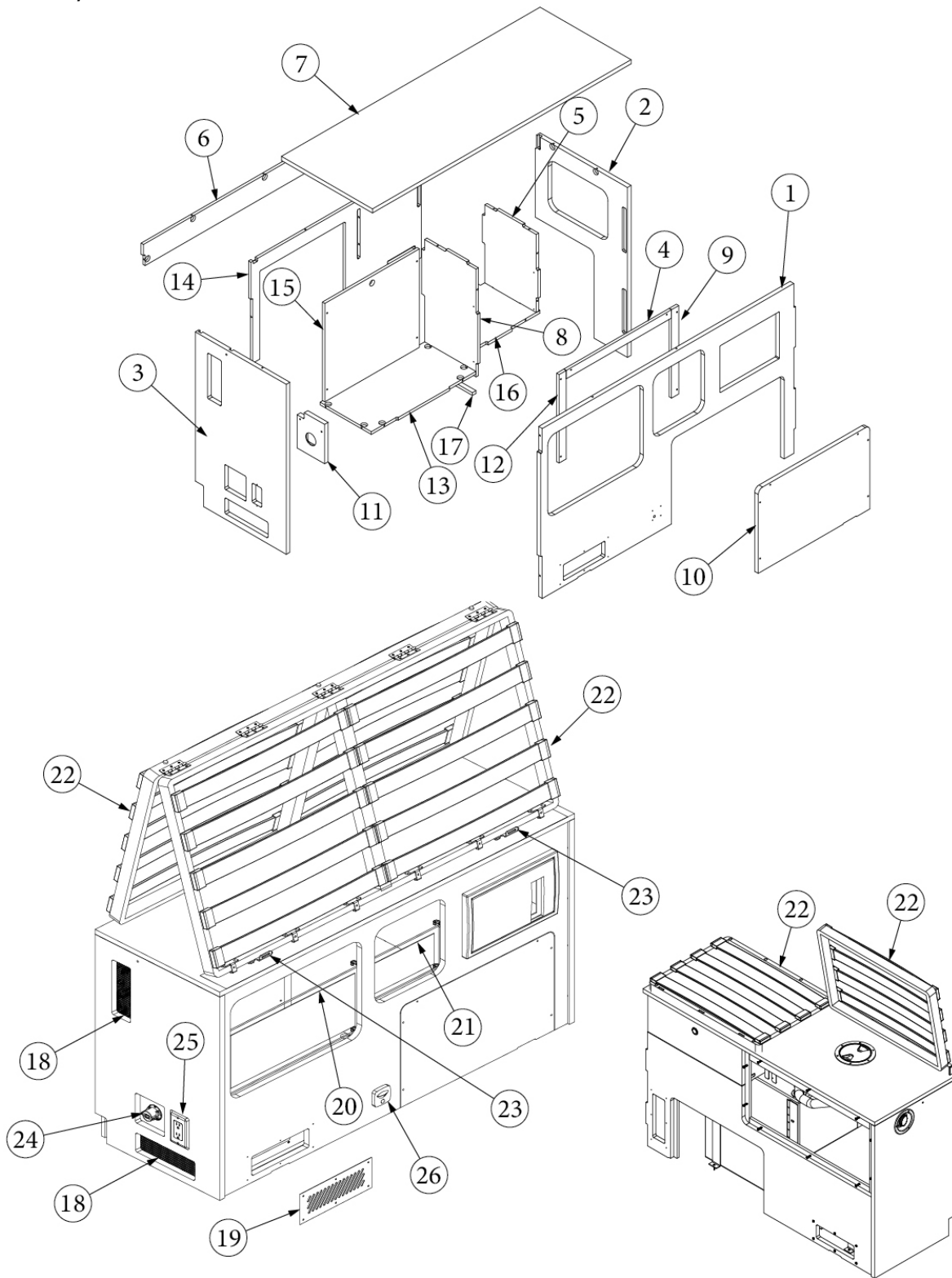
FURNITURE, BED

Pantry

<p>113946 969855</p> <p>1. 969855&000112FF 2. 969855&000212FF 3. 969855&000312FF 4. 969855&000412FF 5. 969855&000512FF 6. 969855&000612FF 7. 969855&000712FF 8. 969855&000812FF 9. 969855&000912FF 10. 969855&001112HC 11. 969855&001318FF 12. 969855&001418FF 13. 969855&001518FF 14. 969855&001618FF 15. 381527 16. 200975-04 17. 969855&002112FF 18. 969855&002412FF 19. 969855&002612FF 20. 969855&002812FF 21. 969855&002912FF 22. 381607-11 23. 969855&003412FF 24. 969855&003512FF 25. 380046 26. 514136 455941 27. 372327 28. 345804 381400-03 381607-12 386570-01 386570-02 203942-03 382836 380045 382057 382057-02 115728-02</p>	<p>Install, Pantry Assembly, Sliding Pantry</p> <p>Pre laminate, 5.38 x 12" Pre laminate, 15 x 12" Pre laminate, 15 x 12" Pre laminate, 25.25 x 74.12" Pre laminate, 6.38 x 23" Pre laminate, 23 x 6.5" Pre laminate, 6.5 x 2.25" Pre laminate, 24.31 x 6.5" Pre laminate, 4.38 x 15" Pre laminate, 25.25 x 74.12" Pre laminate, 7.5 x 13.56" Pre laminate, 5.75 x 2.75" Pre laminate, 7.5 x 60.06" Pre laminate, 5.38 x 13" Speedy Strips, Shelf Conduit, Black plastic Pre laminate, .5 x 6.5 x 9.75" Pre laminate, 6.38 x 23.75" Pre laminate, 6.5 x 18.38" Pre laminate, 5.67 x 6.5" Pre laminate, 23.38 x 6.5" Hinge, Self-close, Overlay Pre laminate, 5.38 x 12" Pre laminate, 2.25 x 4.38" Flange, Chrome Phone mount, w/Wireless charger & USB Bracket, Phone charger Tread, Step Grab latch, Ball style, 3/8" Drawer Slides, 16" Baseplate, Grass, 9.5 x 37/32" Edgebanding, 1500 Grey, 5/8" Edgebanding, 1500 Grey, 15/16" T-molding, 13/16", Black Whisper Latch, Pull, Complete Tubing, Electrical, Metallic, 3/4" Knockdown, 8mm Cap, Knockdown, Gray Aluminum Sheet, .032 x 66.75 x 173"</p>
---	---

FURNITURE, BED

Bed Base, Roadside



Parts Listed on Next Page

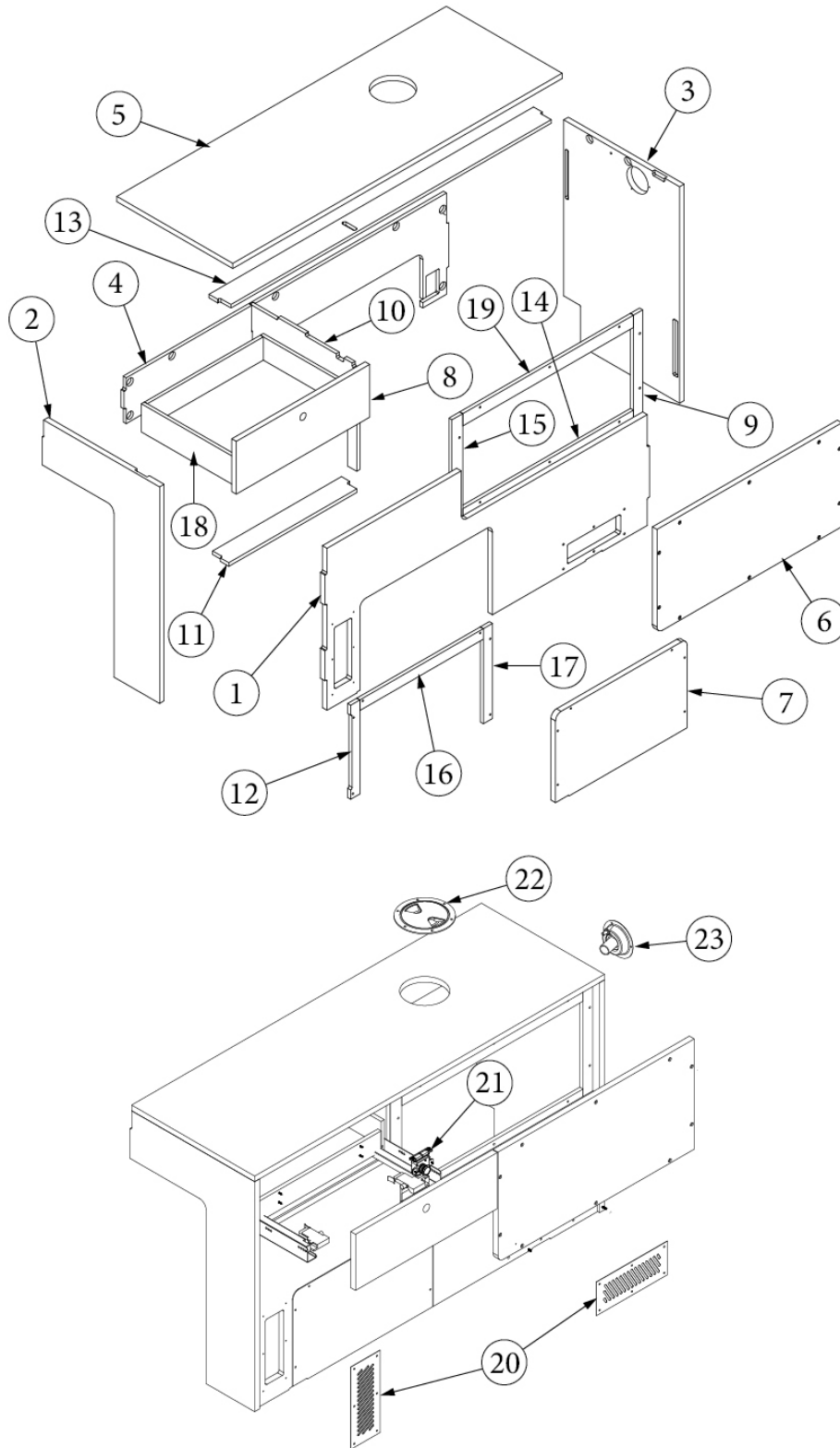
FURNITURE, BED

Bed Base, Roadside

135087	Install, Bed Bases
113999	Install, Roadside Bed Base
802718	Assembly, Roadside Bed Base
1. 802718-1	Pre laminate, .75 x 30.75 x 53.21"
2. 802718-2	Pre laminate, .75 x 19.25 x 30.75"
3. 802718-3	Pre laminate, .75 x 19 x 30.75"
4. 802718-4	Pre laminate, .5 x 2.25 x 22"
5. 802718-5	Pre laminate, .5 x 14.98 x 11.09"
6. 802718-6	Pre laminate, .5 x 4 x 53.21"
7. 802718-7	Pre laminate, .75 x 19 x 54"
8. 802718-8	Pre laminate, .5 x 19.85 x 11.7"
9. 802718-9	Pre laminate, .5 x 16 x 6"
10. 802718-10	Pre laminate, .75 x 15.16 x 23.31"
11. 802718-11	Pre laminate, .75 x 5.75 x 6"
12. 802718-12	Pre laminate, .5 x 16 x 6"
13. 802718-13	Pre laminate, .5 x 10.92 x 21.84"
14. 802718-14	Pre laminate, .5 x 18.44 x 35.6"
15. 802718-15	Pre laminate, .5 x 17.81 x 19.75"
16. 802718-16	Pre laminate, .5 x 11.6 x 13.08"
17. 802718-17	Pre laminate, .5 x 2.25 x 9.88"
18. 204147	Mesh, Stretchable
19. 116442	Vent cover, Kick plate
20. 705004	Cargo Net, Large, Bed base
705024	Hook, Cargo net
21. 705005	Cargo Net, Small, Bed base
22. 382856	Folding Bed Frame, Complete
23. 382857	Secure Bracket, Folding Bed Frame
24. 514046	Battery Disconnect, Mini master
25. 511815-01	Receptacle, Duplex, Black
511815-02	Decorator plate, 1 gang, Black
26. 514045	Light, LED w/motion detection
705008-01	Mattress, Large, 54.88 x 52.5"
705008-02	Mattress, Small, 19 x 52.5"
204332	Protection Film, Countertop
382880-01	Caravan Connector, Milky White
382880-02	Caravan Connector Lid, Light Brown
203942-03	T-molding, 13/16", Black
380041-01	Bracket, 1.07 x 1.07 x .5", 90 Degree
455965	Bracket, Electrical Panel
203462-04	Screw Cover, PVC, Urban Oak

FURNITURE, BED

Bed Base, Curbside



Parts Listed on Next Page

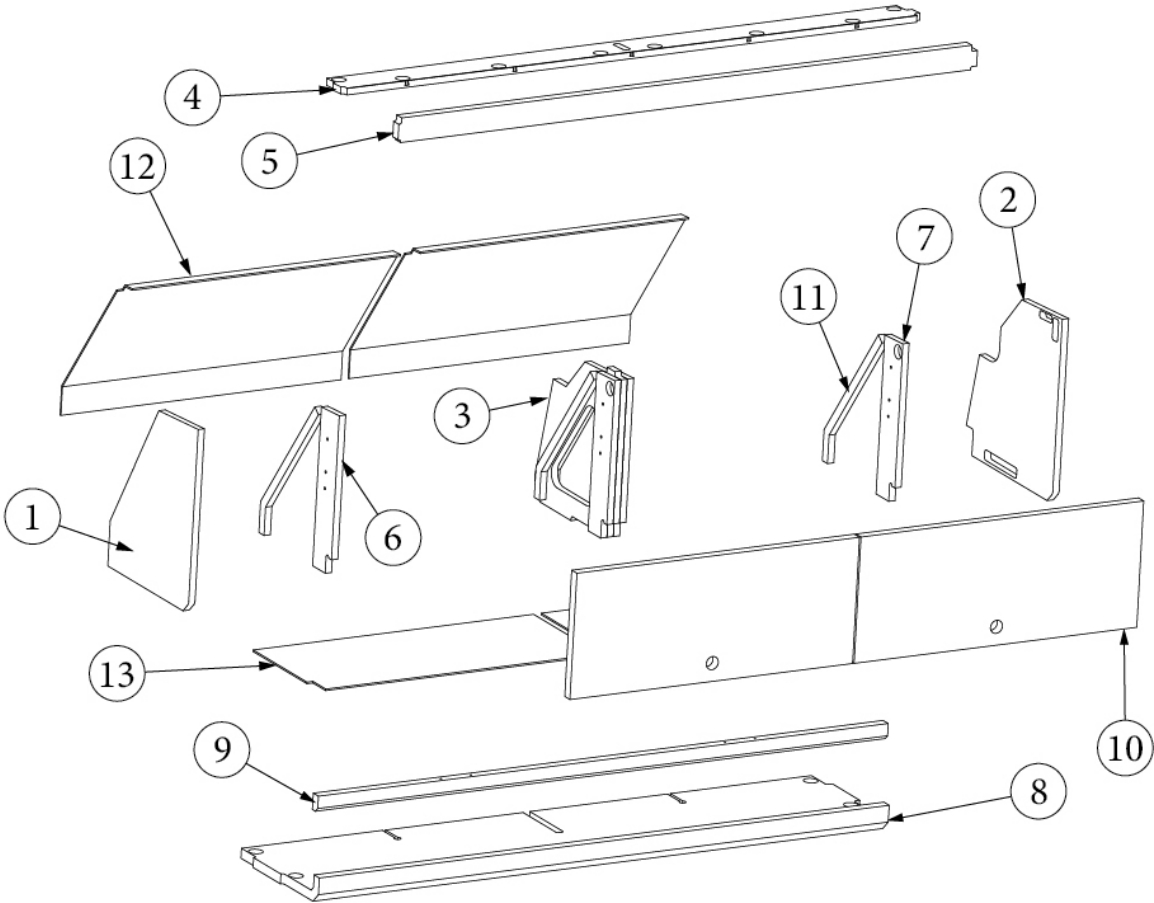
FURNITURE, BED

Bed Base, Curbside

135087	Install, Bed Bases
135000	Install, Curbside Bed Base
802719	Assembly, Curbside Bed Base
1. 802719-1	Pre laminate, .75 x 23 x 53.21"
2. 802719-2	Pre laminate, .75 x 19.25 x 30.75"
3. 802719-3	Pre laminate, .75 x 19 x 30.75"
4. 802719-4	Pre laminate, .5 x 14.38 x 53.21"
5. 802719-5	Pre laminate, .75 x 19 x 54"
6. 802719-6	Pre laminate, .75 x 14.75 x 30.31"
7. 802719-8	Pre laminate, .75 x 12.66 x 21.56"
8. 802719-9	Pre laminate, .75 x 7.5 x 21.88"
9. 802719-10	Pre laminate, .5 x 15.25 x 1.5"
10. 802719-11	Pre laminate, .5 x 15.35 x 17.5"
11. 802719-12	Pre laminate, .5 x 3 x 21.48"
12. 802719-13	Pre laminate, .5 x 13.35 x 1.5"
13. 802719-14	Pre laminate, .5 x 3.25 x 53.21"
14. 802719-19	Pre laminate, .5 x 1.75 x 28"
15. 802719-20	Pre laminate, .5 x 15.25 x 1.75"
16. 802719-21	Pre laminate, .5 x 1.5 x 20.25"
17. 802719-22	Pre laminate, .5 x 13.5 x 1.5"
18. 969926	Drawer Box, 4 x 15 x 12.13"
19. 802719-26	Pre laminate, .5 x 1.75 x 28"
20. 116442	Vent cover, Kick plate
21. 382836	Whisper Latch, Pull, Complete
22. 204260	Hatch cover, Round. 5"
23. 602598-01	Gravity Fill, Black, Valterra
705008-01	Mattress, Large, 54.88 x 52.5"
705008-02	Mattress, Small, 19 x 52.5"
204332	Protection Film, Countertop
455960	Bracket, Winterize Valve
455961	Bracket, Winterize Valve
382880-01	Caravan Connector, Milky White
382880-02	Caravan Connector Lid, Light Brown
203942-03	T-molding, 13/16", Black
382820-03	Drawer Slides, Soft-Close, 15"
382820-06	Clips, HD Adj, Undermount Slides
203462-04	Screw Cover, PVC, Urban Oak

FURNITURE, LOUNGE

Roof Locker, Roadside Bed



Parts Listed on Next Page

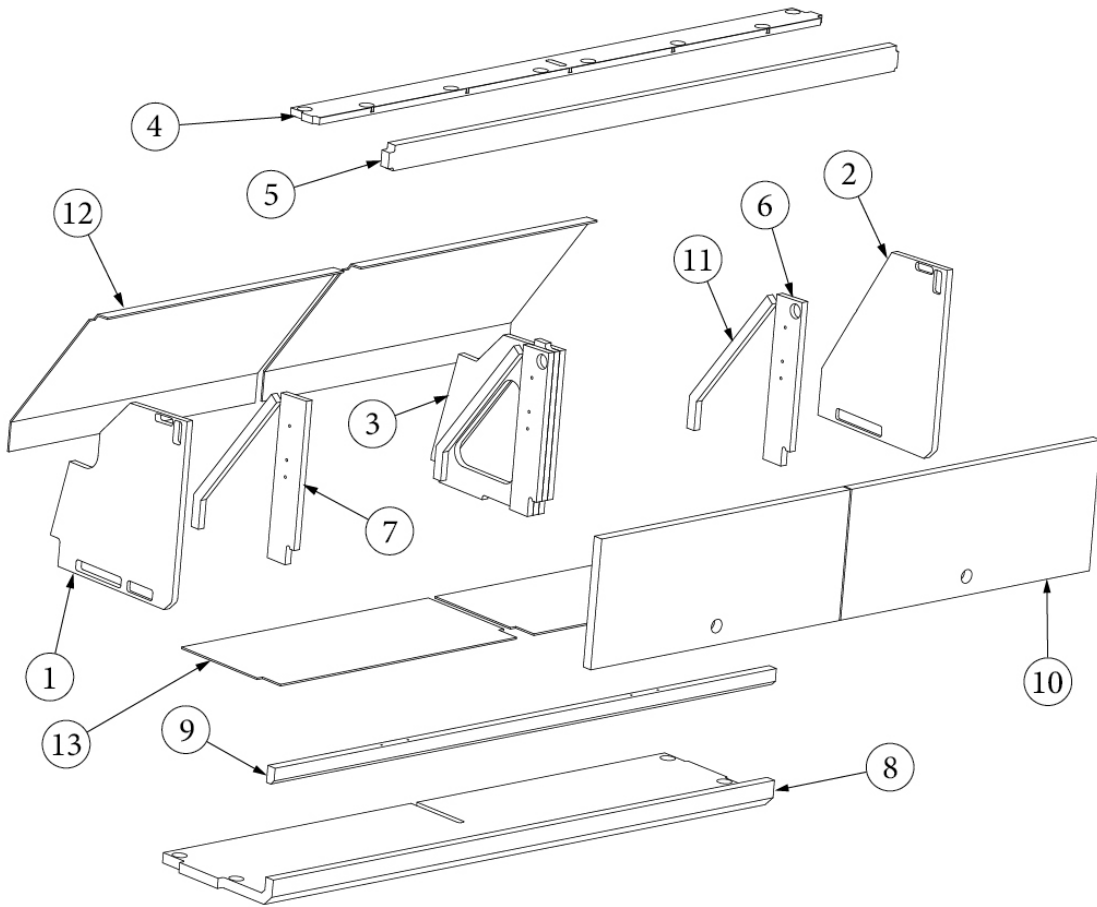
FURNITURE, LOUNGE

Roof Locker, Roadside Bed

802705	Assembly, RS Bed Roof Locker
802710	Spacer, Roof Locker, Roadside
1. 802705-1	Pre laminate, .5 X 12.78 x 14.06"
2. 802705-2	Pre laminate, .5 x 12.78 x 14.06"
3. 802705-3	Pre laminate, .5 x 11.5 x 12.6"
4. 802705-4	Pre laminate, .5 x 48.24 x 4.38"
5. 802705-5	Pre laminate, .75 x 48.24 x 1.88"
6. 802705-6	Pre laminate, .5 x 2.63 x 12.25"
7. 802705-7	Pre laminate, .5 x 2.63 x 12.25"
8. 802705-8	Pre laminate, .75 x 48.24 x 11.28"
9. 802705-9	Pre laminate, .75 x 47.5 x 1.25"
10. 802705-10	Pre laminate, .75 x 9.63 x 23.56"
11. 802705-11	Pre laminate, .5 x 6.36 x 13.56"
12. 195619-04	Plyfelt Backer, Black, .12 x 23.36 x 15.44"
13. 195620-03	Plyfelt Locker Liner, Black, .12 x 9.75 x 23.36"
381228-02	Catch Grabber, Door, 5lb
382836	Whisper Latch, Pull, Complete
382990	Hinge, Overhead spring, Nickel
802710-1	Pre laminate, Spacer, Lower, .75 x 5.74 x 11.28"
802710-2	Pre laminate, Spacer, Upper .75 x 5.5 x 11.68"
802710-3	Pre laminate, Spacer, .75 x 5.44 x 1.25"

FURNITURE, LOUNGE

Roof Locker, Curbside Bed



Parts Listed on Next Page

FURNITURE, LOUNGE

Roof Locker, Curbside Bed

802713	Assembly, CS Bed Roof Locker
802708	Spacer, Roof Locker, Curbside
1. 802713-1	Pre laminate, .5 x 12.78 x 14.06"
2. 802713-2	Pre laminate, .5 x 12.78 x 14.06"
3. 802713-3	Pre laminate, .5 x 11.5 x 12.6"
4. 802713-4	Pre laminate, .5 x 48.24 x 4.38"
5. 802713-5	Pre laminate, .75 x 48.24 x 1.88"
6. 802713-6	Pre laminate, .5 x 2.63 x 12.25"
7. 802713-7	Pre laminate, .5 x 2.63 x 12.25"
8. 802713-8	Pre laminate, .75 x 48.24 x 11.28"
9. 802713-9	Pre laminate, .5 x 47.5 x 1.25"
10. 802713-10	Pre laminate, .75 x 9.63 x 23.56"
11. 802713-11	Pre laminate, .5 x 6.36 x 13.56"
12. 195619-04	Plyfelt Backer, Black, .12 x 23.36 x 15.44"
13. 195620-03	Plyfelt Locker Liner, Black, .12 x 9.75 x 23.36"
381228-02	Catch Grabber, Door, 5lb
382836	Whisper Latch, Pull, Complete
382990	Hinge, Overhead spring, Nickel
802708-1	Pre laminate, Spacer, Lower, .75 x 5.74 x 11.28"
802708-2	Pre laminate, Spacer, Upper .75 x 5.5 x 11.68"
802708-3	Pre laminate, Spacer, .75 x 5.44 x 1.25"

HARDWARE

Bath Accessories

601358	Shower Head Unit, Chrome
602175	Holder, Dryroll Toilet Roll, White
602954	Faucet, Fold Down, Brushed Nickel
604877-01	Shower Valve, Faucet
371423-04	Mirror, Wall Mount, Nickel

Shower Door

204337	Tambour Door, Silver, 62 x 25"
705035	Vinyl Strap, Shower Door
345602	Screw, #6-18 x 1/2" Pan Head, Stainless

HARDWARE

Hinges

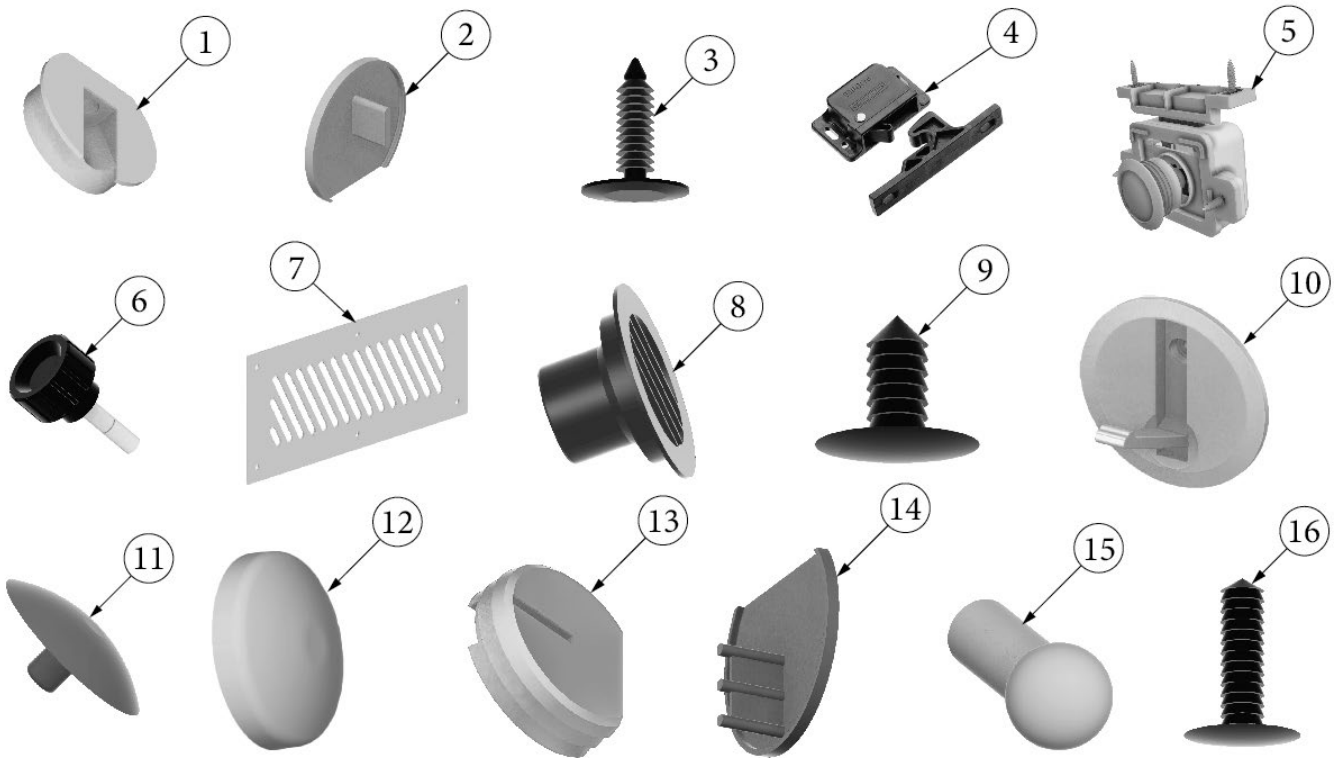
381607-11	Hinge, Self-close, 110° overlay
380203-01	Hinge, Piano, Clear anodized, 1/8" pin, 72" Length
381951-01	Hinge, Piano, Formed, Black powder coat, 5.5" Length
382658	Hinge, Piano, Zinc, .75 x .75 x 12"
382828	Limitter, Hinge, Rear door stop

Drawer Slides

381400	Drawer slides, Full extension, Knape and Vogt, 14"
381400-01	Drawer slides, Full extension, Knape and Vogt, 12"
381400-03	Drawer slides, Full extension, Knape and Vogt, 16"
382820-02	Drawer Slides, EZ Open Undermount, Soft-Close, 12"
382820-03	Drawer Slides, EZ Open Undermount, Soft-Close, 15"
382820-06	Clips, Front adjustable, Pair

HARDWARE

Interior Handles, Latches, and Fasteners



- | | |
|---------------|--|
| 1. 382057 | Knockdown |
| 2. 382057-02 | Cap, Knockdown, Grey |
| 3. 382062 | Fastener, Finned, .25" |
| 4. 381228-02 | Catch, Grabber door, 5LB |
| 5. 382836 | Whisper Latch, Pull, Complete, Brushed Nickel |
| 382836-01 | Round Knob only, Whisper Latch |
| 382836-02 | Bezel Only, Whisper Latch |
| 6. 382883 | Knob, Fluted Grip, Black, Water Panel, #10-32 x .75" |
| 7. 116442 | Vent cover, Kick plate, Large, 11 x 4.5" |
| 8. 690429 | Louver, Black, Round, Shower vent, 3.94 x 2" |
| 9. 382878 | Xmas Tree Rivet, .312 x .76" |
| 10. 340326 | Hook, Recessed, 2.5" |
| 320029 | Screw #8x3/4 Pan Head Phil Dr |
| 452276 | Steel backer, Hook, Galvanized, 3 x 3" |
| 11. 381610-06 | Cover, Cap, Grey |
| 12. 381081-04 | Cap, Snap Top, White #8 |
| 13. 382880-01 | Caravan Connector, Milky White |
| 14. 382880-02 | Caravan Connector Lid, Light Brown |
| 15. 382541 | Hook, Polished chrome |
| 16. 382992 | Xmas Tree Rivet, .288 x 1" |
| 705035 | Vinyl Strap, Shower Door |
| 203462-04 | Screw Cover, PVC, Urban Oak |
| 116437 | Kick Plate, Toe, W/Rangeline Logo |

HARDWARE

Rivets

325134	Rivet, Blind, Dome Head, 1/8 SS
330011	Rivet, Blind, Black
330137	Rivet, Blind Pop, AD 41-43 BSMG
330031-01	Rivet, 3/16 x 5/8, SSD68SSBS

SAFETY EQUIPMENT

Smoke and Carbon Monoxide Detector

512260 Smoke and Carbon Monoxide Detector

Fire Extinguisher

690381-02 Fire Extinguisher, 10 B:C ULC
382854 Mount, Fire Extinguisher
382855 Spacer, Fire Extinguisher
320116-06 Screw, #8-31 x 1" Phillips
320255 Screw, #10 x 2" Flat head

LABELS AND TAGS

Labels and Tags

386582	Logo, Airstream
386583	Logo, Rangeline
S000672	Label, TRA Certified Green
386113	Label, RVIA Gold
386123	Label, Portable Water Only
386558	Decal, 110-125 Voltage Perm Adhesive
386590	Label, Hitch Cargo Capacity
386119	Label, Do Not Store Combustibles
386226	Label, RV Master Weight Label
386252	Label, Hepvo Warning
386588	Label, Warning Battery Ground
386303	Label, Cleaning Instructions
386366	Decal, Auto Gen Start Warning
386563	Label, This Is Not A Grab Handle
386574-01	Label, Exit, Clear
386574-02	Label, Exit, Clear, French
386579	Label, Emergency Latch Release
386249	Label, No Storage Compartment, AD-13
386311	Label, Folding Screen Warning
386120	Label, Smoke Alarm Warning
386120-01	Label, Smoke Alarm Warning, French
386556-15	Label, QR Code Rangeline
386589	Label, Breaker Box Danger
386370	Label, Warning Vans
386552	Label, Vented battery compartment

PLUMBING, FRESH WATER

Faucet and Sink, Galley

602898	Faucet, No Pull Down, Dehco
602260	Sink, Stainless, 13 X 15"
602925	Cutting board, Bamboo

Faucet and Shower Head, Wet Bath

602954	Faucet, Fold Down, Brushed Nickel
204347	Spacer, Bathroom Faucet
604877-01	Shower Valve, Faucet
601358	Shower Head Unit, Chrome
602959	Flow Regulator Washer

Exterior Hose, Sprayer Port

602288-02	Coil hose, w/Brass insert, Pistol grip sprayer, 15'
943957	Sprayer Port, Non-potable, 3.625"
382860	Gasket, Sprayer Port

City Water Hook-Up

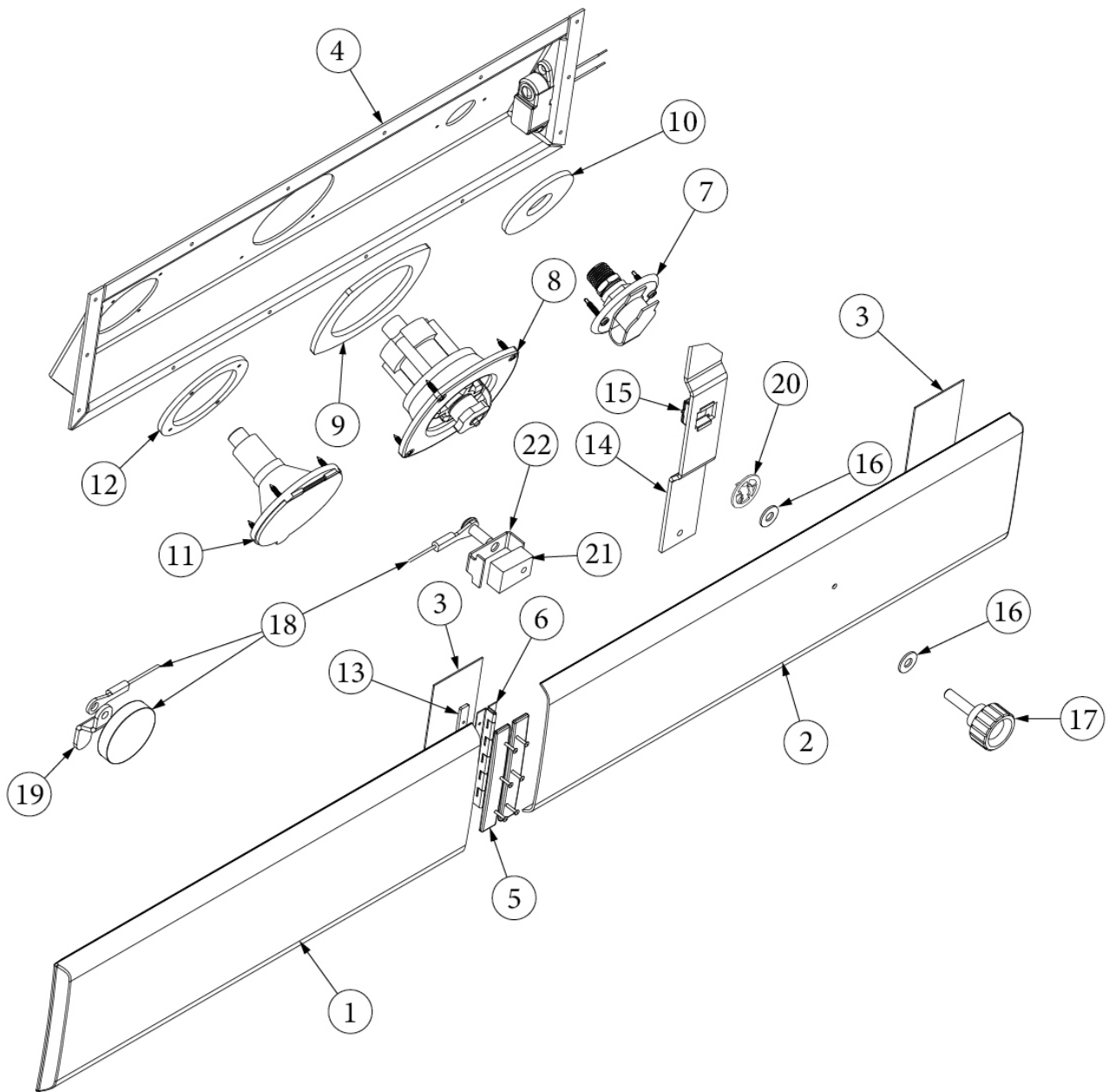
601392-08	Water Fill, City, w/Regulator, Black
382809-04	Gasket, City Water Fill
601392-01	Plastic cap, City water fill
601392-02	Strap for cap, City water fill

Fresh Water Tank and Water Fill

135065	Install, Fresh Water Tank
602906	Tank, Fresh Water
602598-01	Gravity Fill, Black, Valterra
455939	Bracket, Fresh Tank
455940	Bracket, Elwell/Fresh Tank Combo
601239-01A	Tubing, 1.375" ID
601240-01	Tubing, 1/2 ID x 3/32 Wall Th
203634	Styrofoam, 1 x 48 x 96"
514051-01	Sender Pad, Seelevel 710, 12"
601237	Elbow, 90 Degree, 1.25 MPT X 1.25"
602256-02	Adapter, Male Poly .5 barb x .5 mpt
340084-20	Clamp, Hose, SS, .81 1.75 SAE#20

PLUMBING, FRESH WATER

Water Access Panel



Parts Listed on Next Page

PLUMBING, FRESH WATER

Water Access Panel

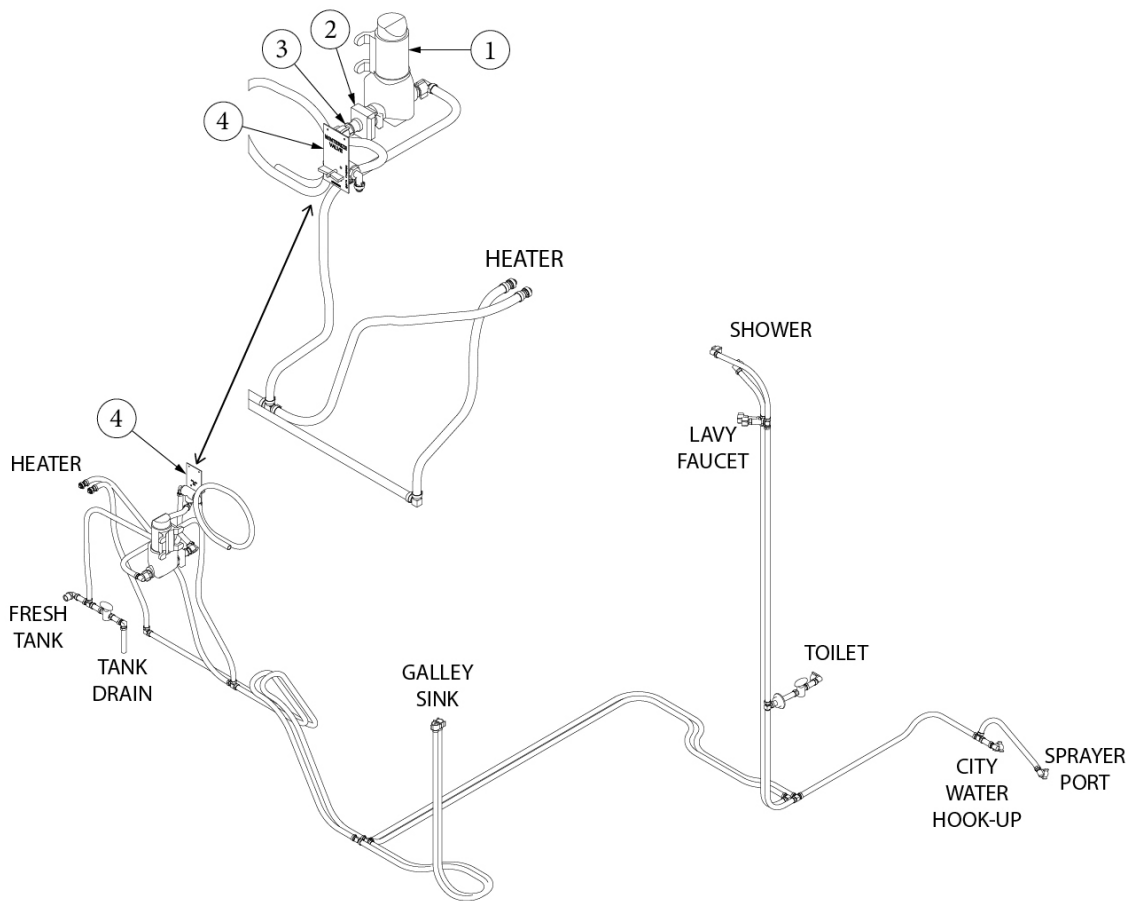
113903	Install, Door, Exterior, Water Access
1. 113903-1	Side trim, Front
2. 113903-2	Side trim, Door, Rear
3. 386409-08	Blackout Filler 3" X 150'
4. 116423	Sidewall Pan, Water Storage
5. 204300	Spacer, Molding door hinge
6. 381951-01	Hinge, Formed, Piano, 5.5"
7. 602940	Black tank flush, 2 Pc, Black Inlet
8. 601392-08	Water Fill, City, W/Regulator, Black
9. 382809-04	Gasket, City Water Fill
10. 365338-02	Gasket, Black Tank Flush
11. 943957	Sprayer Port, Non-potable, 3.625"
12. 382860	Gasket, Sprayer Port
13. 204328	Spacer, Molding, Door Hinge
14. 455950	Bracket, Sidewall Panel Latch
15. 350285	Snap in Nut, #10-32
16. 300243	Washer, Nylon, Black, #10
17. 382883	Knob, Fluted Grip, #10-32 x. 75"
18. 382882	Assembly, Lanyard/Magnet
19. 455956	Handle, Magnet Pull
20. 340325	Round Push Nut, #10, Black
21. 204343	Lanyard Retainer, Abs Plastic
22. 455966	Bracket, Retainer, Water Access
602288-02	Coil hose, w/Brass insert, Pistol grip sprayer, 15'

Black Tank Flush

135039	Install, Black Tank Flush
602940	Black Tank Flush, 2 Pc, Black Inlet
365338-02	Gasket, Black Tank Flush
602918	Water Line, Flexible, Blue, 1/2"
382101	Grommet, Rubber, .63 ID, .88 OD, #930
601698-15	Crimp Ring, 1/2, #14785
602256-03	Adapter, Poly, .5 Barb x.5 FPT Swivel
602256-04	Elbow, Poly, .5 Barb x .5 MPG
602256-05	Elbow, Poly .5 XFPT Swivel Wing Nut

PLUMBING, FRESH WATER

Fresh Water Lines



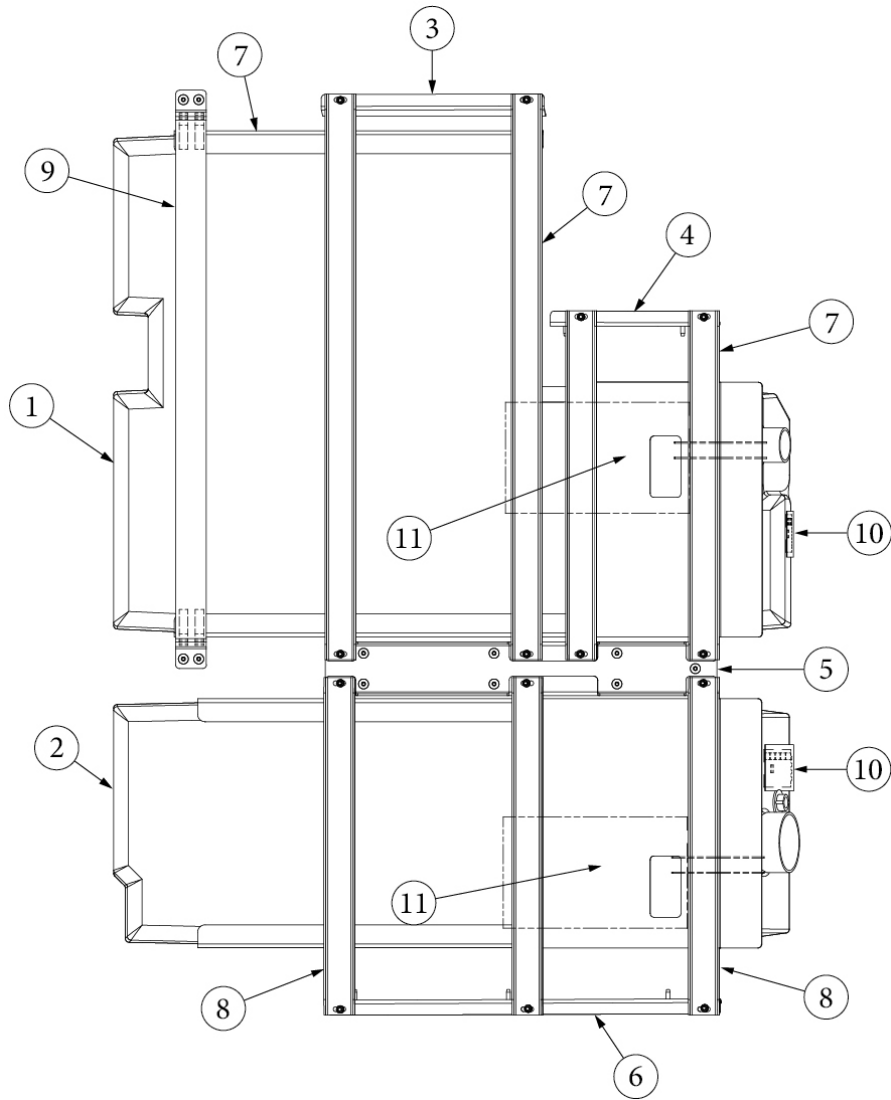
923618

Install, Fresh Water Line System

- | | |
|--------------|--|
| 1. 602177-01 | Pump, Water Flojet |
| 2. 602177-02 | Strainer, Mini Assembly |
| 3. 602177-04 | Quick Connect, For Pump, .5" |
| 4. 602942-01 | Winterizing Valve |
| 602918 | Water Line, Blue, Flexible, 1/2" |
| 602919 | Water Line, Red, Flexible, 1/2" |
| 602761 | Nipple, CPVC, .5" NPT x 1.5" |
| 602256-04 | Elbow, Poly, .5" Barb x .5 MPG |
| 602256-05 | Elbow, Poly .5" x FPT Swivel Wing Nut |
| 602256-10 | Elbow, Poly .5 Barb |
| 602256-11 | Tee, Poly, .5 Barb |
| 602926 | Pinch Clamp, Oetiker, 1/2" |
| 602256-08 | Coupling, Poly, .5" Barb |
| 602256-22 | Valve, Straight .5" Barb x .5" |
| 602256-03 | Adapter, Poly, .5" barb x .5" FPT Swivel |
| 382500 | Grommet, Pipe Press Fit, .5" |

PLUMBING, DRAIN

Black and Gray Tanks



Parts Listed on Next Page

PLUMBING, DRAIN

Black and Gray Tanks

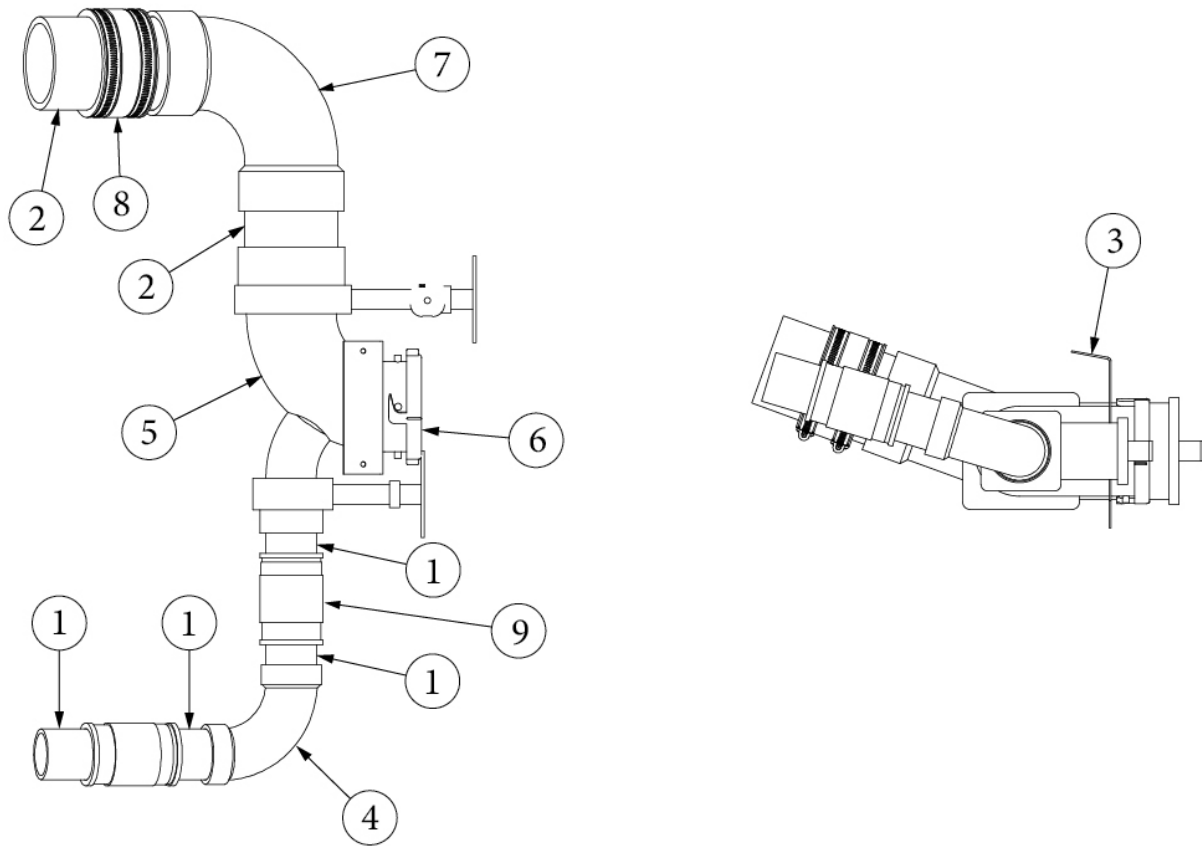
113896	Install, Holding Tanks
1. 602907	Tank, Grey water
2. 602908	Tank, Black water
3. 455904	Bracket, Holding Tanks, Forward 1
4. 455905	Bracket, Holding Tanks, Forward 2
5. 455906	Bracket, Holding Tanks, Center
6. 455907	Bracket, Holding Tanks, Rear
7. 455908	Weldment, Holding Tank, Grey
8. 455909	Weldment, Holding Tank, Black
9. 455967	Bracket, Grey Tank, Rear
10. 514051-09	Sender Pad, Seelevel, 9"
11. 514074	Heater Pad, Tank, 25-Gallon Max
514069	Heater Pad, Pipe Elbow, Black Tank 13 x 3"
514073	Heater Pad, Pipe Elbow, Gray Tank, 8 x 3"
602944	Nozzle, Black Tank Flush
382889	Exhaust Heat Shield Kit
360389	Undercoating, 3M, 16 Oz #03584
365417	Tape, 3M, Extreme Sealing
602429	Grommet, Tank Fitting, 1.5"
602917	Grommet, Tank Fitting, 3"
602958	Tank Fitting, Flush Spin, 1.5"

Sewer Hose, Carrier

113991	Install, Sewer Hose Carrier
602941	Sewer hose, Rhinoflex, 15', w/elbow & caps
602935	Sewer hose carrier, Super slider, Black, 43" - 80"
455929	Bracket, Sewer hose carrier, Forward
455930	Bracket, Sewer hose carrier, Aft
382865	Cotter pin, Zinc plated steel

PLUMBING, DRAIN

Waste Drain Plumbing, Dump Valve



113848

Install, Waste Drain Plumbing

- | | |
|--------------|--|
| 1. 601160-02 | Pipe, ABS, DVW, 1-1/2" |
| 2. 601160-04 | Pipe, ABS, DVW, 3" |
| 3. 116425 | Bracket, Dump Valve |
| 4. 600035 | Ell Long Sweep, ABS, 1-1/2" |
| 514073 | Heater Pad, Pipe Elbow, Gray Tank, 8 x 3" |
| 5. 601482 | Dump Valve, Rotating Assembly |
| 601482-100 | Valve Handle, Black, For 601482 |
| 601482-101 | Cap, 3" Termination, W/Strap, For 601482 |
| 601482-102 | Dump Valve Handle, Grey, For 601482 |
| 601482-103 | Strap, Black, For 601482 |
| 6. 601607-07 | Termination Cap, 3" Bay |
| 7. 600183 | Ell Long Sweep, ABS, 3" |
| 514069 | Heater Pad, Pipe Elbow, Black Tank 13 x 3" |
| 8. 600289 | Calder Coupling 3" (Rubber) |
| 9. 602201 | Coupling, Flexible 1.5", #A256-15 |
| 513103 | Light bar, LED, Black Tank Courtesy light |

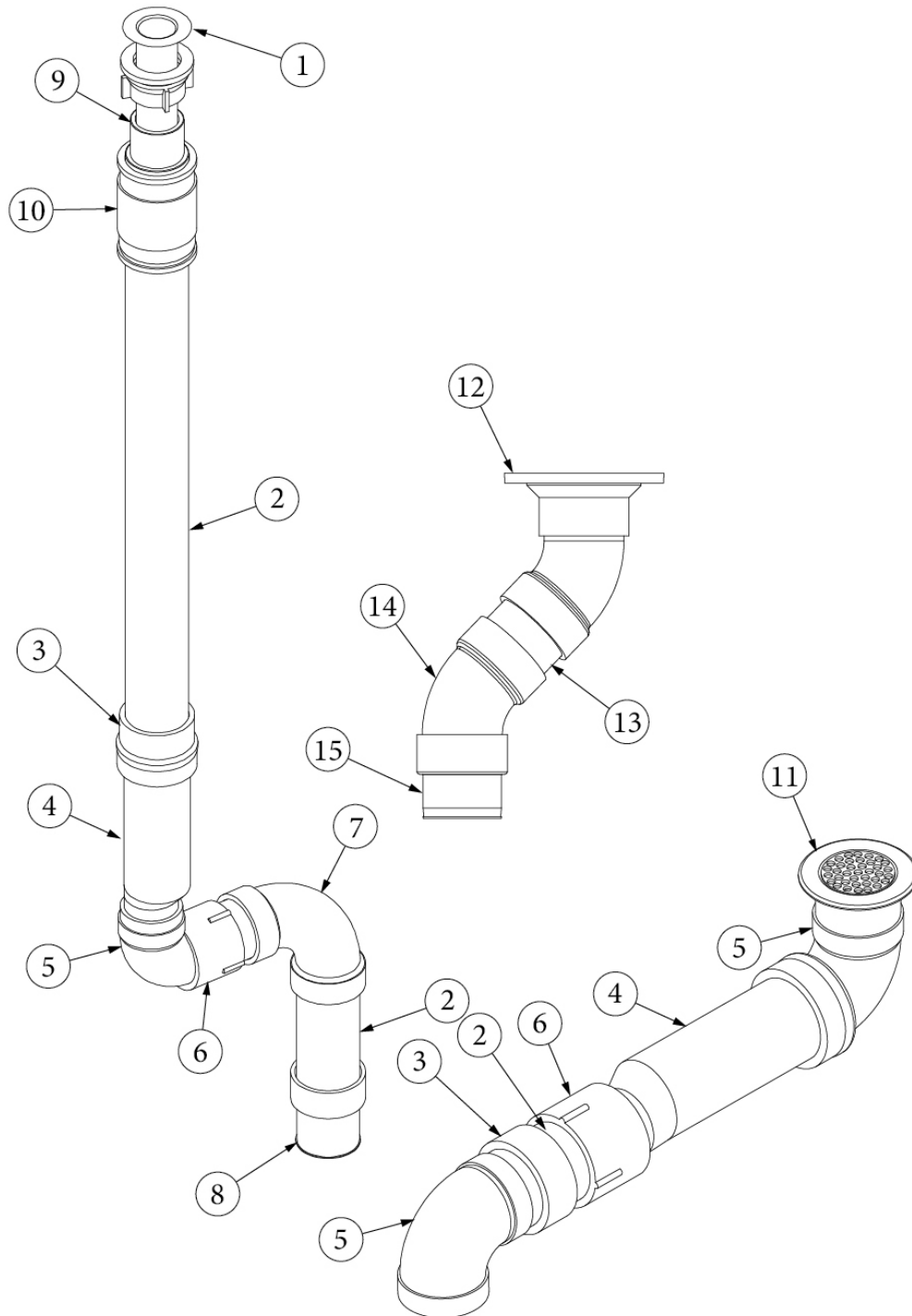
PLUMBING, DRAIN

Drain System, Galley Side

113871	Install, Plumbing, Galley
1. 601160-02	Pipe, ABS DVW, 1-1/2"
2. 600030	Elbow, ABS, 45-Degree
3. 600035	Elbow, ABS, 90-Degree, Long Sweep
4. 600094	WYE, 1-1/2"
5. 600156	Tee, Sanitary, 1-1/2"
6. 601636	Elbow, 90-Degree, Short Sweep
7. 602430	Couplet, Barbed, 1.5"
8. 602523	Adapter, Trap, Hub and Slip, 1.5"
9. 602524-76	Flexhaust, Flexible hose, 76"
10. 600594-02	Drain, w/Strainer
11. 602201	Coupling, Flexible 1.5"
12. 602212	Adapter, 1.5" FPT x 1.5" SLIP PVC
13. 602214	Adapter, 1.5" MPT x 1.5" SLIP PVC
14. 602287-01	Adapter, Swivel, 1.5" x 1.5" FPT
15. 690603-01	Waste valve, Hepvo, Hygienic, S/S

PLUMBING, DRAIN

Drain System, Shower Side



Parts Listed on Next Page

PLUMBING, DRAIN

Drain System, Shower Side

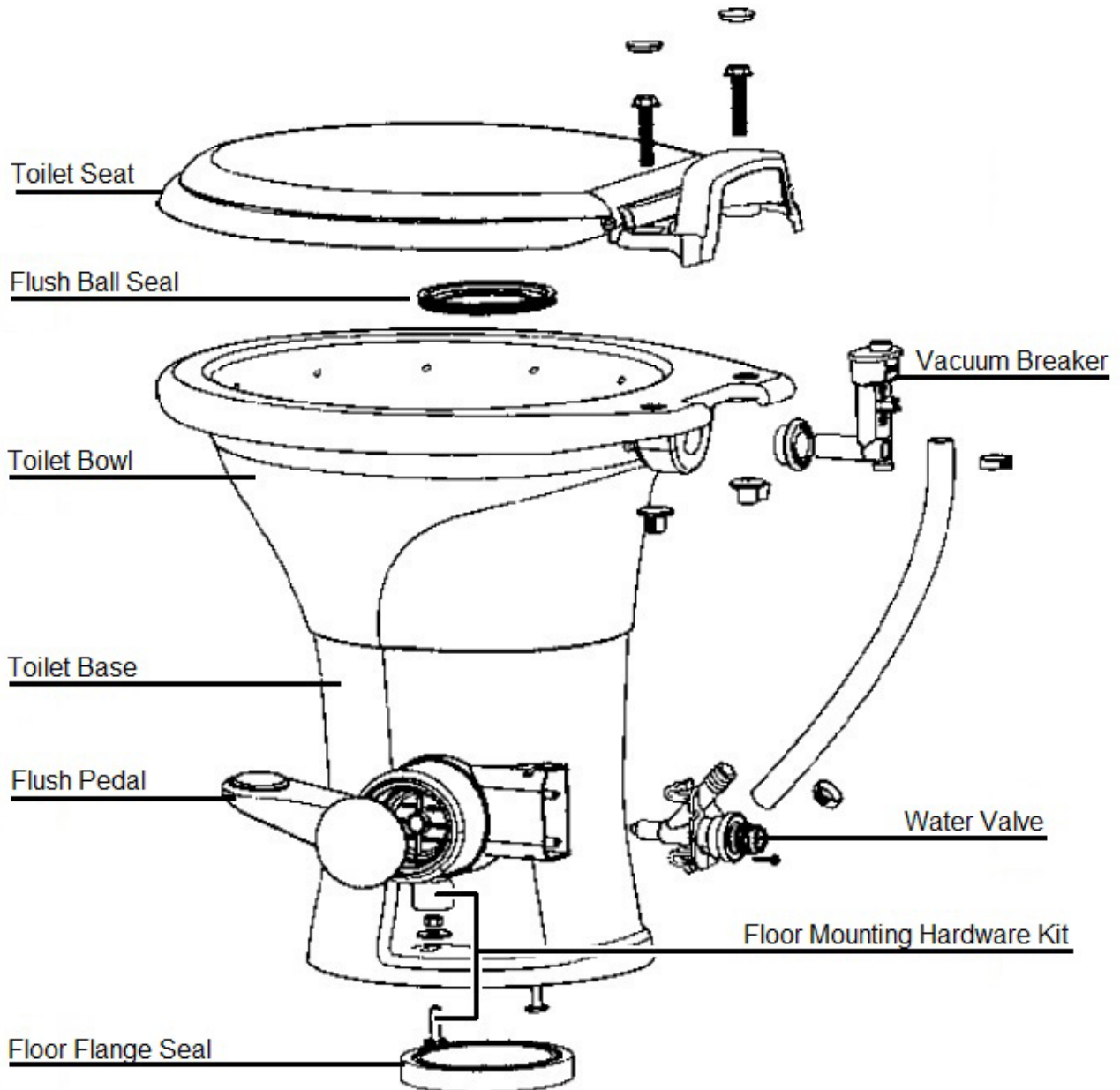
135104	Install, Drain System, Shower Side
1. 602952	Drain, 5" x 1-1/4"
2. 601160-02	Pipe, ABS DVW, 1-1/2"
3. 602214	Adapter, 1.5" MPT x 1.5" SLIP PVC
4. 690603-01	Waste valve, Hepvo, Hygienic, S/S
5. 690603-02	Adapter, Angle, Hepvo
6. 602212	Adapter, 1.5" FPT x 1.5" SLIP PVC
7. 600035	Elbow, ABS, 90-Degree, Long Sweep
8. 602430	Couplet, Barbed, 1.5"
9. 602962	Socket Adapter, 1.5"
10. 602201	Coupling, Flexible 1.5"
11. 602957	Drain, Shower, w/Mesh strainer
12. 601266	Flange, Toilet
13. 601160-04	Pipe, ABS, 3", 3.75"
14. 602684	45-Degree Street Elbow, ABS
15. 602920-01	Grommet, Tank slip fitting, Adapter, 3"

PLUMBING, DRAIN

Toilet

690707
601266

Toilet, Dometic 301, Short height, White
Flange closet, 3x4, Slip fit



SEALERS AND GASKETS

Sealers

360258	Sealant, Acrylic latex caulk, White
365330-01	Sealant, RTV Silicone, White
365330-02	Sealant, RTV Silicone, Silver
365330-04	Sealant, RTV Silicone, Black
360255-04	Sealer, Anti-wick
365417	Tape, 3M, Extreme Sealing

Gaskets

382888	Gasket, Pass Thru Cover
360417	Seal, Gasket W/Adhesive Back
382860	Gasket, Sprayer Port
382809-04	Gasket, City Water Fill
365338-02	Gasket, Black Tank Flush
365338-02	Gasket, Black Tank Flush
382337	Gasket, Corlon Vent Cap
382840	Gasket, Enclosure Box Lid
382870	Gasket, King Ant Prewire

UPHOLSTERY, ULTRALEATHER, DÉCOR BOARDS

Front Seat Closeouts

113802	Install, Front Seat Closeout
455874	Closeout, Front Seat, CS, Upper
455875	Closeout, Front Seat, RS, Upper
455876	Closeout, Front Seat, CS, Lower
455877-01	Closeout, Front Seat, RS, Lower
455877-02	Closeout, Front Seat, RS, Lower Lip
101115	Sheet Aluminum, .06 x 48 x 120"
704854	Carpet, Black, PSA, w/Liner
345526	Screw, #8 x .375", #2 Drive Black

Captain's Chairs, Cabin

704995-D	Driver seat recover kit, Admiral Navy
704995-P	Passenger seat recover kit, Admiral Navy
705000-D	Driver seat recover kit, Moonstone Grey
705000-P	Passenger seat recover kit, Moonstone Grey

Bench Seat

704997	Bench Seat, Admiral Navy
705001	Bench Seat, Moonstone Grey

Mattresses, Bed

705008-01	Mattress, Large, 54.88 x 52.5"
705008-02	Mattress, Small, 19 x 52.5"
705010	Mattress, Pop Top, 74 x 52.5"

UPHOLSTERY, ULTRALEATHER, DÉCOR BOARDS

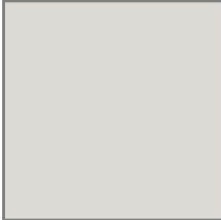
Décor Board, Admiral Navy

RAM

Wood: 53 River Oak / Seating Color: Admiral Navy

RANGELINE

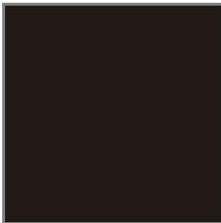
112803-36 RLN RAM } 53
COLORLESS
MATERIALS & LAMINATES



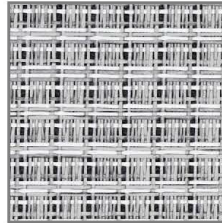
ITEM: Grey 1500 Horizontal Laminate
PART NUMBER: 802671 – 4'x8'
VENDOR: Wilsonart
VENDOR P/N: 1500-60-350
WHERE USED: Countertop, Walls, Cabinets and Table
NOTE: HORZ grade (350) and used on TT



ITEM: Planked Urban Oak Horizontal Laminate
PART NUMBER: 802672
VENDOR: Formica
VENDOR P/N: 9312-12-PG
WHERE USED: Galley, Bed bases, and overheads
NOTE: (PG) – Pure Grain finish HORZ



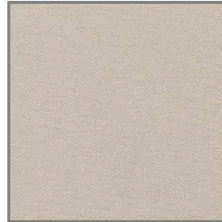
ITEM: Black Laminate
PART NUMBER: 99900P-2118
VENDOR: Wilsonart
VENDOR P/N: 1595-60-335
WHERE USED: Rear Screen Closeout
NOTE: Only laminate not horizontal in unit



ITEM: Frosted Mink Flooring
PART NUMBER: 704593
VENDOR: Infinity
WHERE USED: Thru-out Unit



ITEM: Admiral Main Seating
PART NUMBER: 704984
VENDOR: Nassimi / Premier
VENDOR P/N: SCL - 001
WHERE USED: Bench seat and front seat covers



ITEM: Notion Fog Seating Insert
PART NUMBER: 704986
VENDOR: Nassimi / Premier
VENDOR P/N: SNO-011
WHERE USED: Inserts for the bench and front covers



ITEM: Window Coverings
PART NUMBER: 705011
VENDOR: Automotion
VENDOR P/N:
WHERE USED: Slider, bench seat, and bedroom
NOTE: Same fabric is used on rear screen 704007 (302 Rated)



ITEM: Ceiling Pad Vinyl
PART NUMBER: 705014-02
VENDOR: Sprading
VENDOR P/N: 708152 Leon Ebony
WHERE USED: Ceiling Pads
NOTE: Use laminated goods



ITEM: Awning
PART NUMBER: 704993
VENDOR: Thule / Lippert
VENDOR P/N: 2022011456
WHERE USED: All Rangeline
NOTE:

LAST REVISED:
8/5/2022

MY2023 Motorized

7

UPHOLSTERY, ULTRALEATHER, DÉCOR BOARDS

Décor Board, Moonstone Gray

RAM

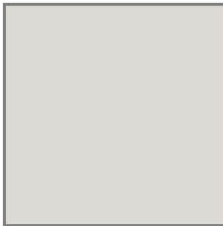
Wood: 53 River Oak / Seating Color: Moonstone Gray

RANGELINE

112803-36 RLN RAM

53
COLORLESS

MATERIALS & LAMINATES



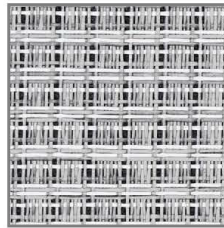
ITEM: Grey 1500 Horizontal Laminate
PART NUMBER: 802671 – 4'x8'
VENDOR: Wilsonart
VENDOR P/N: 1500-60-350
WHERE USED: Countertop, Walls, Cabinets and Table
NOTE: HORZ grade (350) and used on TT



ITEM: Planked Urban Oak Horizontal Laminate
PART NUMBER: 802672
VENDOR: Formica
VENDOR P/N: 9312-12-PG
WHERE USED: Galley, Bed bases, and overheads
NOTE: (PG) – Pure Grain finish HORZ



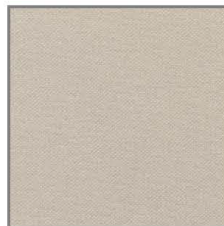
ITEM: Black Laminate
PART NUMBER: 99900P-2118
VENDOR: Wilsonart
VENDOR P/N: 1595-60-335
WHERE USED: Rear Screen Closeout
NOTE: Only laminate not horizontal in unit



ITEM: Frosted Mink Flooring
PART NUMBER: 704593
VENDOR: Infinity
WHERE USED: Thru-out Unit



ITEM: Moonstone Main Seating
PART NUMBER: 704985
VENDOR: Nassimi / Premier
VENDOR P/N: SCL - 220
WHERE USED: Bench seat and front seat recovers



ITEM: Notion Fog Seating Insert
PART NUMBER: 704986
VENDOR: Nassimi / Premier
VENDOR P/N: SNO-011
WHERE USED: Inserts for the bench and front recovers



ITEM: Window Coverings
PART NUMBER: 705011
VENDOR: Automotion
VENDOR P/N:
WHERE USED: Slider, bench seat, and bedroom
NOTE: Same fabric is used on rear screen 704007 (302 Rated)



ITEM: Ceiling Pad Vinyl
PART NUMBER: 705014-02
VENDOR: Sprading
VENDOR P/N: 708152 Leon Ebony
WHERE USED: Ceiling Pads
NOTE: Use laminated goods



ITEM: Awning
PART NUMBER: 704993
VENDOR: Thule / Lippert
VENDOR P/N: 2022011456
WHERE USED: All Rangeline
NOTE:

LAST REVISED:
8/5/2022

MY2023 Motorized

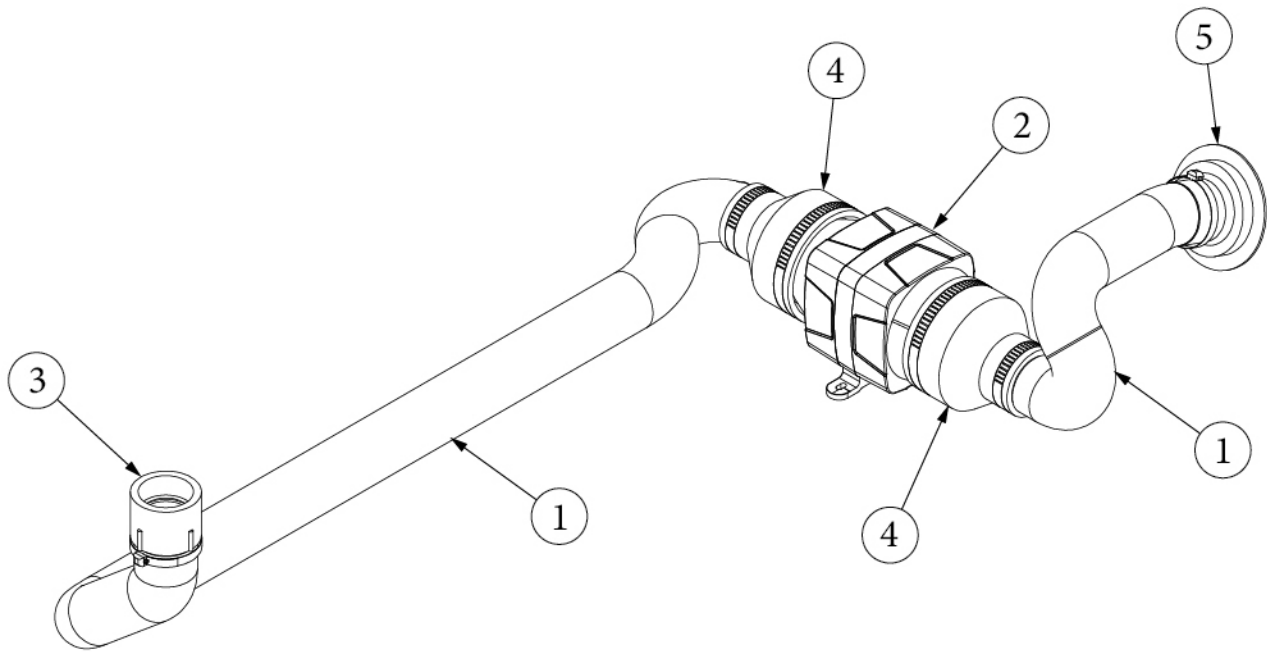
8

VENTS AND FANS

Vent, Black Tank

690700-02 204312 382337	Tank vent cap, Rooftop, Black Spacer, Tank Vent, Roof Gasket, Corlon Vent Cap, Roof
-------------------------------	---

Exhaust Fan, Bath



135093 Install, Shower Vent

- | | |
|---|--|
| 1. 600193
2. 514066
3. 602212
4. 602953
5. 690429
602945
204312
382337
455938
340084-28
601160-02 | Duct, Thermaflex Flexible Air, 2"
Vent, In Line Blower, 3"
Adapter, 1.5" FPT x 1.5", Slip PVC
Reducer, 3 x 1.5", Flex, W/SS clamps
Louver, Black Round, 2"
Vent Cap, Roof
Spacer, Tank Vent, Roof
Gasket, Corlon Vent Cap, Roof
Plate, Mount, Vent cap, Roof
Clamp, Hose, 2-1/4"
Pipe, ABS DVW, 1-1/2" |
|---|--|

VENTS AND FANS

Ceiling Vent Fan

113960	Install, Maxxair Fan
382730	Vent, Maxxair Fan, 6401K
382730-01	Shroud, Trim ring, Vent, Maxxair, Black
455917-01	Bracket, Maxxair Fan, Side
455917-02	Bracket, Maxxair Fan, Center
330137	Rivet, Blind Pop, AD 41-43 BSMG
345558	Screw, #8-32x.5" Black Phillips, #0703-0
300192	Washer, Flat, #8 Screw Size
350204	Nut, Nylock, #8-32 Blk Ss #0702

Ceiling Vent Fan, Pop Top

382730	Vent, Maxxair, 6401K
204338	Trim ring, Pop top
382730-01	Shroud, Vent, Maxxair, Black

PANELING, EDGEBANDING, LAUAN

Paneling

801809	Laminate, White Liner, 4' x 8' Vertical
801868-01	Laminate, Backer, 4' x 8' Vertical
802671	Laminate, Grey, .039" x 4' x 8' Horizontal
802672	Laminate, Plank Urban Oak, Horizontal
99900P-2118	Laminate, Black, #60, 4' x 8' Vertical
802233	Panel, Azdel, Composite, 2.7mm x 4' x 8'

Edgebanding

386570-01	Edgebanding, 1500 Grey, 5/8"
386570-02	Edgebanding, 1500 Grey, 15/16"
386572-01	Edgebanding, Plank Urban Oak, 5/8"
386572-02	Edgebanding, Plank Urban Oak, 15/16"

Lauan

800507-02	Lauan, 1/4 x 4' x 8'
-----------	----------------------

Plywood

800506-04	Plywood, .5" x 4' x 8'
800506-06	Plywood, 3/4" x 4' x 8'
801345	Radius Plywood, .75" x 3" x 8'
801351	Plywood, Lite, .75" x 4' x 8'
801352	Lite Ply, 12mm x 4' x 8'
802280	Ply, Bendable, .38" x 8' x 4' Barrel

Touch-up

360301-45	Seamfil, Wilson Art, Grey 1500
360301-46	Seamfil, Formica, Planked Urban Oak
360406-04	Fil-Stik, Macchiato (Earthstone)
360406-20	Fil-Stick, Ash
365504-02	Stain Marker, Lunar Grey
365504-05	Stain Marker, Natural Light Oak/Chesnut
381610-06	Cover, Cap, Grey
203462-04	Screw Cover, PVC, Urban Oak
381081-04	Cap, Snap Top, White #8

TRIMS

Trim

114070	J-trim, Extrusion, Mill finish
203445	T-molding, 9/16", Black
203942-03	T-molding, 13/16", Black
116448	J-Channel, Satin, 7/16" x 12'