



# **2022 Globetrotter Parts Book**





# 2022 GLOBETROTTER

## SECTION I

### APPLIANCES

<u>Air Conditioner</u> .....	I-1
<u>Air Conditioner Drain Kit</u> .....	I-1
<u>Water Heater</u> .....	I-1
<u>Microwave</u> .....	I-1
<u>Furnace</u> .....	I-2
<u>Range and Cooktop</u> .....	I-3
<u>Refrigerator</u> .....	I-3

### EXTERIOR SHELL

<u>Front End, 23FB</u> .....	I-4
<u>Front End, 25FB</u> .....	I-8
<u>Front End, 27FB</u> .....	I-10
<u>Front End, 30RB</u> .....	I-12
<u>Aft End, 23FB</u> .....	I-14
<u>Aft End, 25FB, 27FB</u> .....	I-16
<u>Aft End, 30RB</u> .....	I-18
<u>RS Wall, 23FB</u> .....	I-20
<u>CS Wall, 23FB</u> .....	I-22
<u>RS Wall, 25FB</u> .....	I-24
<u>CS Wall, 25FB</u> .....	I-26
<u>RS Wall, 27FB</u> .....	I-28
<u>CS Wall, 27FB</u> .....	I-30
<u>RS Wall, 30RB</u> .....	I-32
<u>CS Wall, 30RB</u> .....	I-34
<u>Roof</u> .....	I-36
<u>Wrap Protectors and Holdbacks</u> .....	I-38

### INTERIOR SHELL

<u>Interior Skin</u> .....	I-39
<u>Interior Wheel Well Liner</u> .....	I-39
<u>Main Door Threshold</u> .....	I-39

# 2022 GLOBETROTTER

## SECTION I

### CHASSIS

<u>Axles</u> .....	I-40
<u>Shocks</u> .....	I-40
<u>Tires and Wheels, 15"</u> .....	I-40
<u>Spare Tire and Carrier</u> .....	1-40
<u>Step Assembly</u> .....	1-41
<u>Bumper End Caps</u> .....	I-42
<u>Stabilizing Jacks</u> .....	I-42
<u>Power Jack</u> .....	I-42
<u>Hitch Coupler</u> .....	I-42
<u>Hose Carrier</u> .....	I-42
<u>Underbelly</u> .....	I-42
<u>Cross Car Electrical Raceway</u> .....	I-42
<u>Bumper and Storage</u> .....	I-43

### DECALS, EXTERIOR TRIM

<u>Decals and Medallions</u> .....	I-44
<u>Belt Line Trim</u> .....	I-44
<u>Rub Rail Trim</u> .....	I-44
<u>Reflectors</u> .....	I-44

# 2022 GLOBETROTTER

## SECTION II

### DOORS, WINDOWS, AWNINGS

<u>Main Door, RH Hinge</u> .....	II-1
<u>Main Door, LH Hinge</u> .....	II-3
<u>Screen Door</u> .....	II-5
<u>Access Doors</u> .....	II-6
<u>Windows and Screens</u> .....	II-8
<u>Vista View Window, 30"</u> .....	II-8
<u>Window Screen Assembly</u> .....	II-8
<u>Windows Trim</u> .....	II-9
<u>Panoramic Window Trim</u> .....	II-9
<u>Window Parts Diagram</u> .....	II-10
<u>Window Stone Guards</u> .....	II-12
<u>Window Awnings</u> .....	II-13
<u>Power Awnings</u> .....	II-13
<u>Power Awnings Hardware</u> .....	II-13

### DRAPES AND SHADES

<u>Drapes and Shades, 23FB</u> .....	II-14
<u>Drapes and Shades, 25FB</u> .....	II-15
<u>Drapes and Shades, 27FB</u> .....	II-16
<u>Drapes and Shades, 30RB</u> .....	II-17
<u>Drapes and Shades Hardware</u> .....	II-18

# 2022 GLOBETROTTER

## SECTION II

### ELECTRICAL

#### 110 Volt

<u>Shoreline Cord and Inlet</u> .....	II-19
<u>Smart Plug</u> .....	II-19
<u>Power Converter</u> .....	II-19
<u>Breakers</u> .....	II-19
<u>Generator Prep</u> .....	II-19
<u>Inverter</u> .....	II-19
<u>Junction Boxes</u> .....	II-20
<u>Receptacles</u> .....	II-20

#### 12 Volt

<u>Battery and Battery Box</u> .....	II-21
<u>Battery Disconnect</u> .....	II-21
<u>Airstream Power Plus</u> .....	II-21
<u>7-Way Cable and Breakaway Switch</u> .....	II-21
<u>Tank Monitor System</u> .....	II-21
<u>Solar Panel System</u> .....	II-21
<u>Breakers</u> .....	II-22
<u>Fuses</u> .....	II-22
<u>Switches and USB Ports</u> .....	II-22
<u>Power Awning Cables</u> .....	II-22
<u>Wireless Backup Camera</u> .....	II-23
<u>Interior Lights</u> .....	II-23
<u>Exterior Lights</u> .....	II-23
<u>Taillight Assembly</u> .....	II-24

### ENTERTAINMENT

<u>Audio</u> .....	II-25
<u>Video</u> .....	II-25
<u>Blu-Ray Player</u> .....	II-26
<u>Flat Screen TV's</u> .....	II-26

# 2022 GLOBETROTTER

## SECTION III

### FLOOR COVERINGS

<u>Floor Covering</u> .....	III-1
<u>Furniture and Cushion Batting</u> .....	III-1

### FURNITURE

#### INTERIOR DOORS, DRAWER BOXES, AND MIRRORS

<u>Roof Locker Doors</u> .....	III-2
<u>Shower Door</u> .....	III-2
<u>Dividing Curtain</u> .....	III-2
<u>Drawer Boxes</u> .....	III-3
<u>Drawer Slides</u> .....	III-3
<u>Mirrors</u> .....	III-3

#### BEDROOM

<u>Bed, Queen</u> .....	III-4
<u>Bed, Twin</u> .....	III-10
<u>Nightstands</u> .....	III-26
<u>Roof Lockers</u> .....	III-33
<u>Wardrobes</u> .....	III-37
<u>Storage Box</u> .....	III-52
<u>Bedroom Closeout</u> .....	III-54

#### LAVATORY

<u>Bath Module</u> .....	III-55
<u>Shower Compartment</u> .....	III-63
<u>Bath Door with Porthole</u> .....	III-65
<u>Medicine Cabinet</u> .....	III-68
<u>Lavatory Cabinets</u> .....	III-69
<u>Wardrobes</u> .....	III-81

# 2022 GLOBETROTTER

## SECTION III

### FURNITURE

#### GALLEY

<u>Galley, 23FB</u> .....	III-91
<u>Galley, 25FB</u> .....	III-96
<u>Galley, 27FB</u> .....	III-103
<u>Galley, 30RB</u> .....	III-110
<u>Refrigerator Cabinets</u> .....	III-117
<u>Pantry Cabinets</u> .....	III-125
<u>Roof Lockers</u> .....	III-137

#### LOUNGE

<u>Dinette Seats</u> .....	III-145
<u>Sofa</u> .....	III-153
<u>Sofa Bed</u> .....	III-154
<u>Seat Backs</u> .....	III-155
<u>Lounge 30RB</u> .....	III-156
<u>Dinette Table</u> .....	III-166
<u>Roof Lockers</u> .....	III-169



# 2022 GLOBETROTTER

## SECTION III

### HARDWARE

<u>Main Door Lock, Right Hand Hinge</u> .....	III-174
<u>Main Door Lock, Left Hand Hinge</u> .....	III-175
<u>Window Hardware</u> .....	III-176
<u>Head knocker and Rubber Bumpers</u> .....	III-176
<u>Exterior Latches, Locks, and Handles</u> .....	III-177
<u>Interior Latches and Handles</u> .....	III-178
<u>Interior Hinges</u> .....	III-178
<u>Exterior Hinges</u> .....	III-179
<u>Bathroom Accessories</u> .....	III-179
<u>Clothesline</u> .....	III-179
<u>Bed Gas Springs</u> .....	III-179
<u>Gas Struts</u> .....	III-179
<u>Hooks</u> .....	III-173
<u>Awning Hardware</u> .....	III-180
<u>Rivets</u> .....	III-182
<u>Screws</u> .....	III-182

### SAFETY EQUIPMENT

<u>Detectors and Fire Extinguishers</u> .....	III-183
---	---------

### LABELS AND TAGS

<u>Labels and Tags, USA</u> .....	III-184
<u>Labels and Tags, CSA</u> .....	III-185

# 2022 GLOBETROTTER

## SECTION IV

### PLUMBING

#### LPG SYSTEMS

<u>LPG System Layouts</u> .....	IV-1
<u>LPG Tank and Cover</u> .....	IV-5

#### FRESH WATER

<u>Faucet, Galley</u> .....	IV-6
<u>Faucet, Lavatory</u> .....	IV-7
<u>Faucet, Shower</u> .....	IV-8
<u>City Water Hook-Up</u> .....	IV-9
<u>Fresh Water Tank Fill</u> .....	IV-9
<u>Water Pump</u> .....	IV-9
<u>Fresh Water Tank</u> .....	IV-9
<u>Fresh Water Fittings</u> .....	IV-10
<u>Fresh Water Lines</u> .....	IV-11
<u>Winterization Kit</u> .....	IV-15

#### DRAINS

<u>Drains, Above Floor</u> .....	IV-16
<u>Dump Valve</u> .....	IV-22
<u>Sinks and Shower</u> .....	IV-24
<u>Toilet Flange</u> .....	IV-24
<u>Black Tank Flush</u> .....	IV-24
<u>Drain Fittings</u> .....	IV-25
<u>Toilets</u> .....	IV-26

# 2022 GLOBETROTTER

## SECTION IV

### SEALERS AND GASKETS

<u>Sealers</u> .....	IV-28
<u>Gaskets</u> .....	IV-28
<u>Gasket Kits</u> .....	IV-29

### BEDDING, MATTRESSES

<u>Pillow Kits</u> .....	IV-30
<u>Mattresses</u> .....	IV-31
<u>Bedding</u> .....	IV-31

### UPHOLSTERY, FOAM, ULTRALEATHER

<u>Dinette Cushions</u> .....	IV-32
<u>Décor Boards, Copenhagen Cream</u> .....	IV-36
<u>Décor Boards, Dublin Slate</u> .....	IV-37
<u>Décor Boards, London Grey</u> .....	IV-38
<u>Décor Boards, Barcelona Blue</u> .....	IV-39

### VENTS AND FANS

<u>Vent, Black Tank</u> .....	IV-40
<u>Vent, Range</u> .....	IV-40
<u>Vent, Refrigerator</u> .....	IV-40
<u>Exhaust Fan, Bath</u> .....	IV-41
<u>Vent Fan, Ceiling</u> .....	IV-42

### SKYLIGHTS

<u>Skylights</u> .....	IV-44
------------------------	-------

### PANELING, EDGEBANDING, LAUAN

<u>Paneling</u> .....	IV-45
<u>Edgebanding</u> .....	IV-46
<u>Lauan</u> .....	IV-46
<u>Plywood</u> .....	IV-46

### TRIMS

<u>Trim</u> .....	IV-47
-------------------	-------



# 2022 GLOBETROTTER APPLIANCES

## Air Conditioner

690323-52	Comfort control center II, Black
690323-44	Comfort Control Center # 3314082.011 White
690323-47	Air conditioner, 13.5K BTU w/heat pump, 23FB, 30RB
690323-48	Air conditioner, 15K BTU w/heat pump, 2 <sup>nd</sup> AC option
690323-481	Upper Circuit Board for 690323-47, -48, -49
690323-480	Shroud Only For A/C 690323-46,-47 & -48, Polar White Only
690323-471	Fan Motor Only For A/C 690323-47
382606-01	AC register, Adjustable, Brushed Stainless Steel
382341	Grill, Return air, Snap in
382342	Filter, Return air
690380-10	Intake air box and ceiling shroud, White
690380-11	Dust adaptor, Use with 690380-10

## Air Conditioner Drain Kit

203724	Kit, A/C drain
203722	Gasket, A/C drain

## Water Heater

690769-01	Water Heater, Tankless, Girard
690769-02	Control Panel
690769-03	Water heater door, Grey
382742	Gasket kit, Water heater
116308-1	Bracket, Water heater
967194	Stand, Water heater

## Microwave

690648-02	Microwave w/turntable, Stainless Steel, Contoure
690728-01	Microwave-Convection 1.1 CF SS #RV-200S-CON
690728-02	Trim Kit- Microwave SS #TK-200S SS

## 2022 GLOBETROTTER APPLIANCES

### Furnace

690731-03	Furnace 18,000 BTU W/EXT Door, 23FB,
690732-01	Furnace-25,000 BTU W/Ext Door, 25FB, 27FB
690732-02	Furnace 30000btu W/Exterior Door, 30'
690731-04	Direct Vent Kit W/Int Door
602394-03	Register, 4", Black
114079	Adapter, Duct, 4" to 2"
690429	Round louver, 2", Black
600526	Flange, 4"
600193	2" duct, Thermaflex flexible
601348	Tee, Heat duct, 4 x 4 x 2"
600247	4" hose, Heat duct flex
968186	Stand Assy - Furnace NB, 23FB
690746-01	Bezel-Cosmetic - Furnace Door, 23FB
690746-02	Foam Gasket/Bezel Frame Sm Furnace Door
690747-01	Cosmetic Bezel Furnace Medium, 25FB, 27FB, 30'
690747-02	Foam Gasket Door/Bezel Medium, 25FB, 27FB, 30'

## 2022 GLOBETROTTER APPLIANCES

### Range and Cooktop

690672-01	Cooktop w/3 burner, Stainless w/glass top, Dometic
690672-02	Oven w/3 burner, Stainless w/glass top, Dometic
690672-103	Glass top only for 690672-01
690672-105	Glass top only for 690672-02
512210	Range hood, Baraldi
454590	Extension, Range vent
511017-11	Exterior vent, Gray
115175	Duct, Range exhaust transition

### Refrigerator, 23FB & 25FB

690770	Refer-Nova Kool 6.8CF, 23FB & 25FB
965934-13	Refer Panel Inserts 19.88 X 28.09
965934-14	Refer Panel Inserts 19.88 X 17.58
968693	Refrigerator stand, 23FB 25FB

### Refrigerator, 27FB

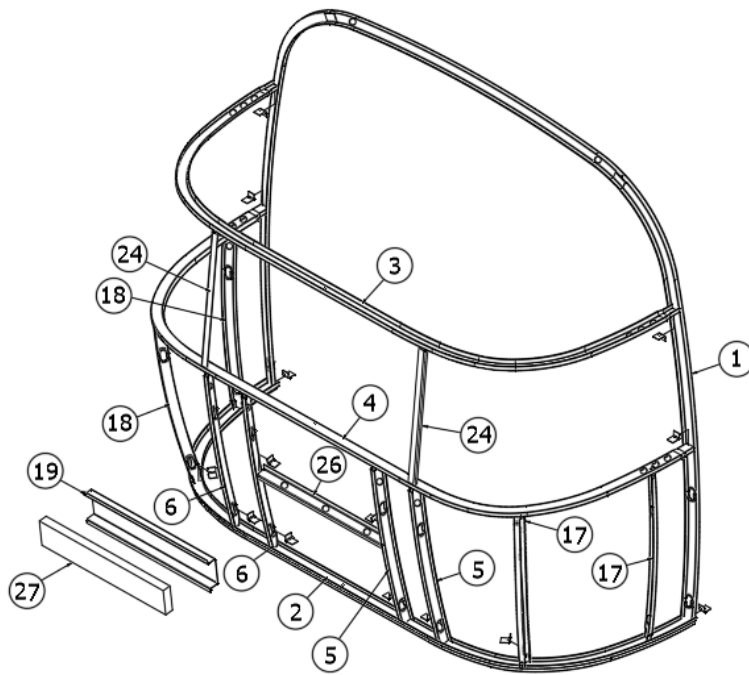
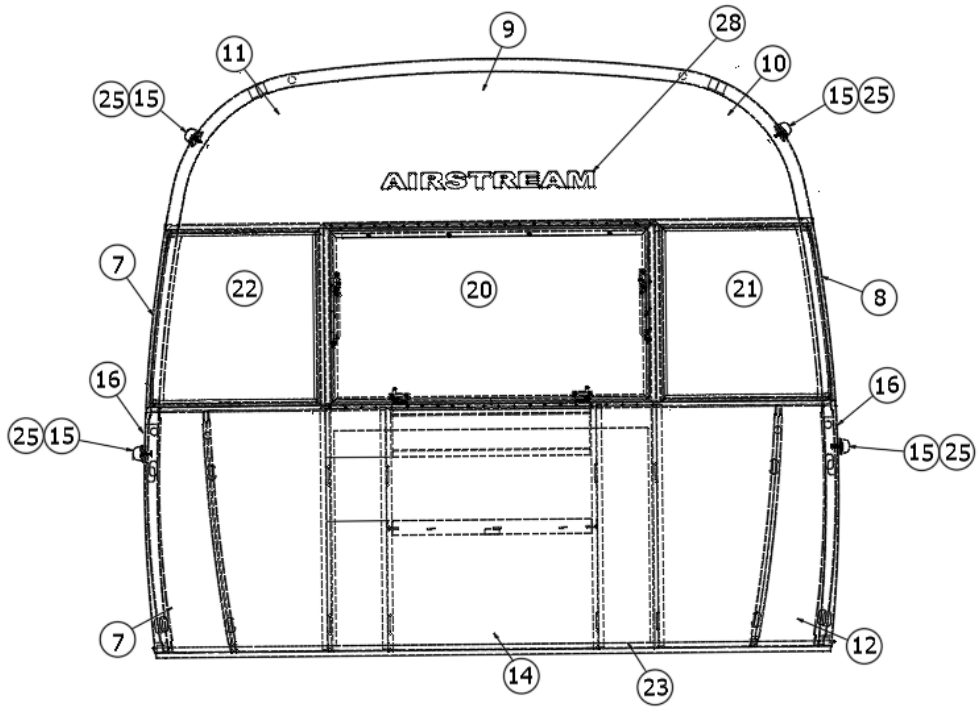
690771-02	Refer-DC Elec 8CF RH Hinge 27FB
969512	Refer Stand Assy

### Refrigerator, 30RB

690735-01	Refrigerator, 9.7CF LH Hinge DC Electric
968915	Stand Assy - Refer 30 RB Globetrotter

# 2022 GLOBETROTTER EXTERIOR SHELL

Front End, 23FB, Queen



Parts Listed on Next Page



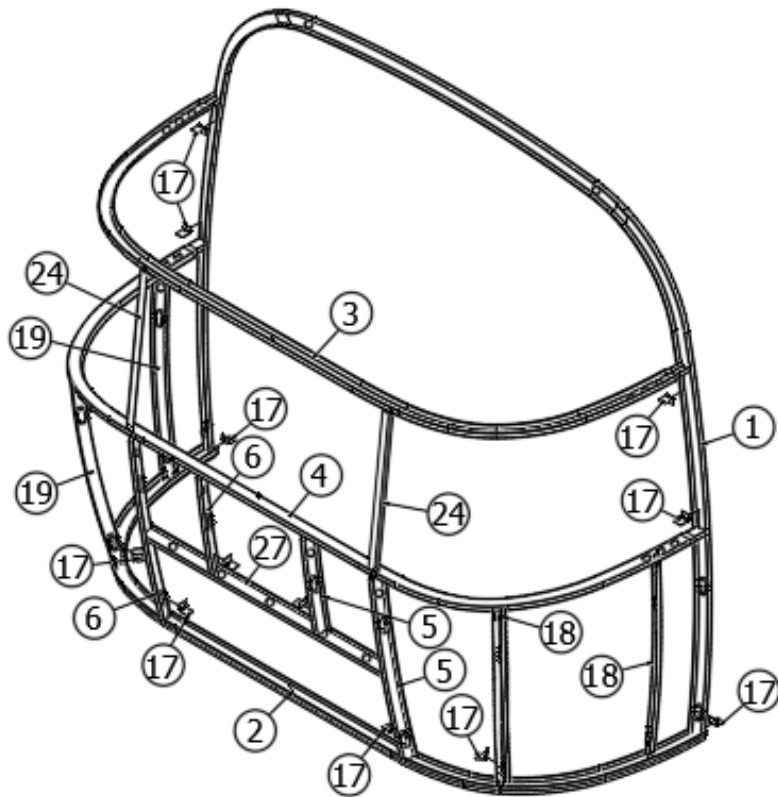
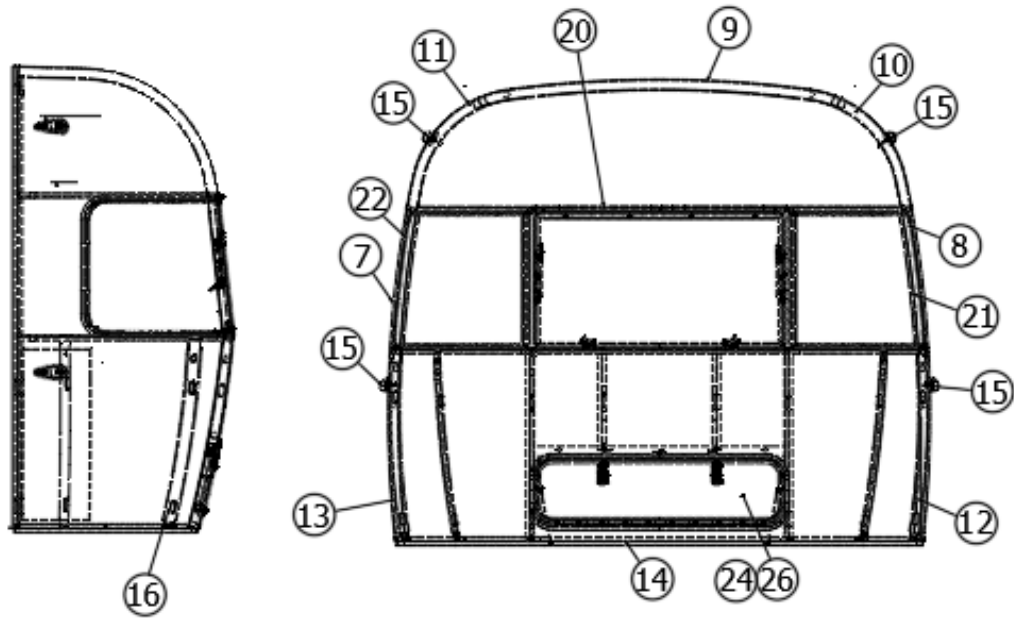
## 2022 GLOBETROTTER EXTERIOR SHELL

### Front End, 23FB, Queen

923431	Front End Shell, Queen, 23FB
1. 114994	Weldment, 0 Bow, Narrow body
2. 104463	Floor Bow, Narrow Body
3. 115480	Upper Window Bow, Narrow Body
4. 104343	Lower Window Bow, Narrow Body
5. 114505-01	Support, Lower end shell LH
6. 114505-02	Support, Lower End shell, RH
7. 114888	Segment-Center Left "Bright"
8. 114889	Segment-Center Right "Bright"
9. 114892	Segment #25 Narrow Bright
10. 114890	Segment-#26 "Bright"
11. 114891	Segment-#27 "Bright"
12. 114894	Segment-#28 "Bright"
13. 114895	Segment-#29 "Bright"
14. 116039	Exterior Plate - Front End Shell
15. 512859	Clearance Light, Amber
16. 101115-02	End shell, Backer Plate
17. 101315-01	Brace, Vertical, Rear LH
18. 101315-02	Brace, Vertical, Rear RH
19. 453629	Hat Section, Table Support
20. 371328	Window, Flat Narrow body Front
21. 372088	Window Corner Wrap RS Front
22. 372089	Window Corner Wrap CS Front
23. 116040	Narrow Body, Front liner
24. 454910	Support, Wrap Window
25. 382389	Clearance light Gasket
26. 116037	Z-Bar Horizontal Frame 27.25"
27. 204221	Styrofoam, End Shell
28. 386272	Legend, Airstream Large Black Chrome
455754	Support Bracket, 14 GA Steel

# 2022 GLOBETROTTER EXTERIOR SHELL

Front End, 23FB, Twin



Parts Listed on Next Page

# 2022 GLOBETROTTER

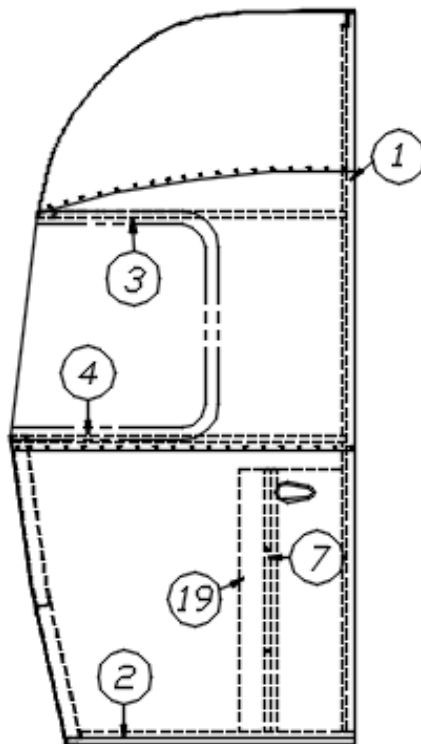
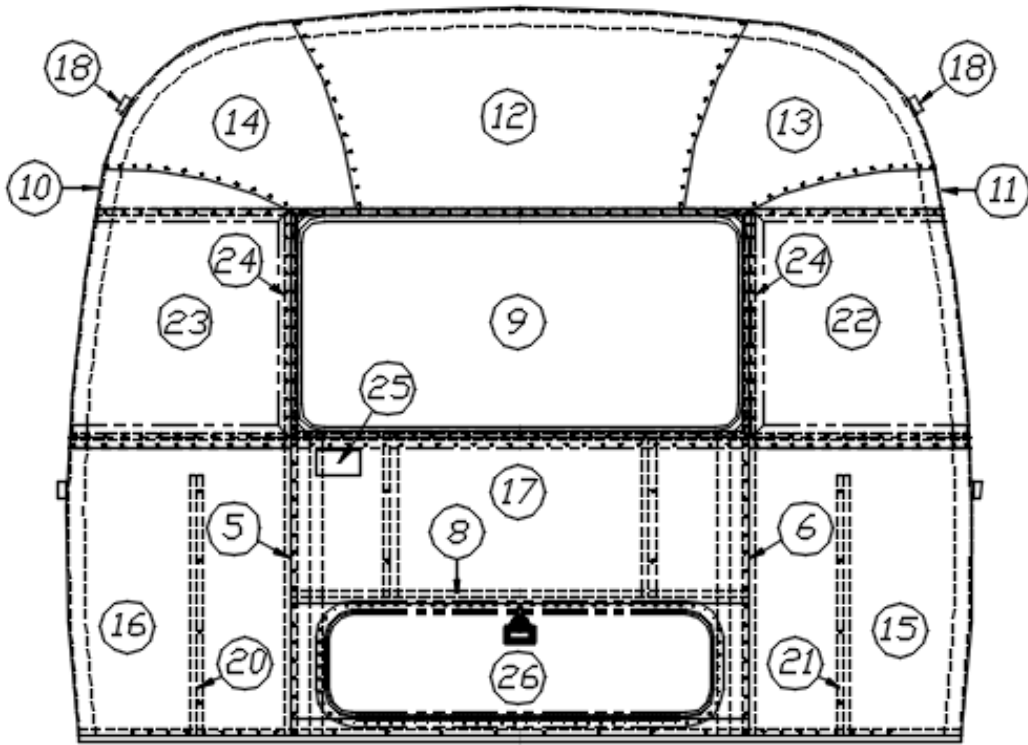
## EXTERIOR SHELL

### Front End, 23FB, Twin

923450	Front End Shell, Twin, 23FB
1. 114994	Weldment Zero Bow "NB"
2. 104463	Bow Floor, Narrow Body Trailer
3. 115480	Bow-Upper Window NB
4. 104343	Bow-Lower Window-Narrow Body TRL
5. 114505-01	Support Lower End Shell LH
6. 114505-02	Support Lower End RH
7. 114888	Segment-Center Left ""Bright"", CS Front
8. 114889	Segment-Center Right ""Bright"", RS Front
9. 114892	Segment #25 Narrow Bright
10. 114890	Segment-#26 ""Bright"
11. 114891	Segment-#27 ""Bright"
12. 114894	Segment-#28 ""Bright"
13. 114895	Segment-#29 ""Bright"
14. 114880-04	Exterior plate, Front end shell
15. 512859	Light-Clearance Amber
382389	Gasket-Clearance Light
16. 115699	Plate-Backer End Shell
17. 114813-01	Angle-1.00 X 1.25 X 1.50
18. 101315-01	Brace-LH Vert. Rear Sect. 29"
19. 101315-02	Brace-RH Vert. Rear Sect. 29"
20. 371328	Window Front Dark Glass
21. 372088-101	Window, Corner Wrap, RS Front
22. 372089-101	Window, Corner Wrap, CS Front
23. 116073	Interior Plate - Rear Lower - Large Door
24. 454910	Support- Wrap Window Trl
25. 382225	Grommet-Black .5 OD X .26"TK #DGB-4
26. 923468-01	Compartment Door-Large, Assy
27. 104408	Extr., Z Rib - Die No. 240572 (Sold IN A 19.16 FT. Piece)
204221	Styrofoam, End Shell

# 2022 GLOBETROTTER EXTERIOR SHELL

Front End, 25FB



Parts Listed on Next Page

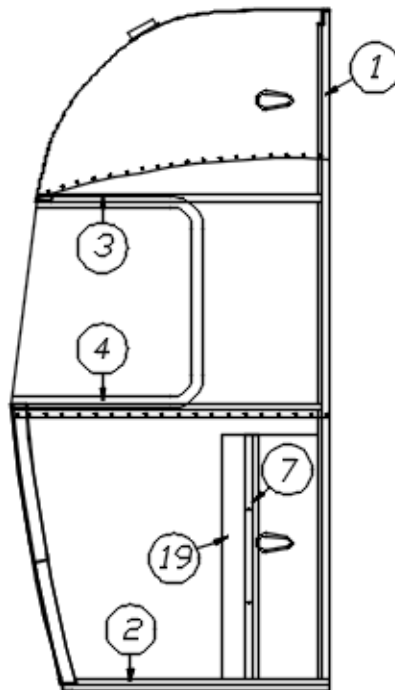
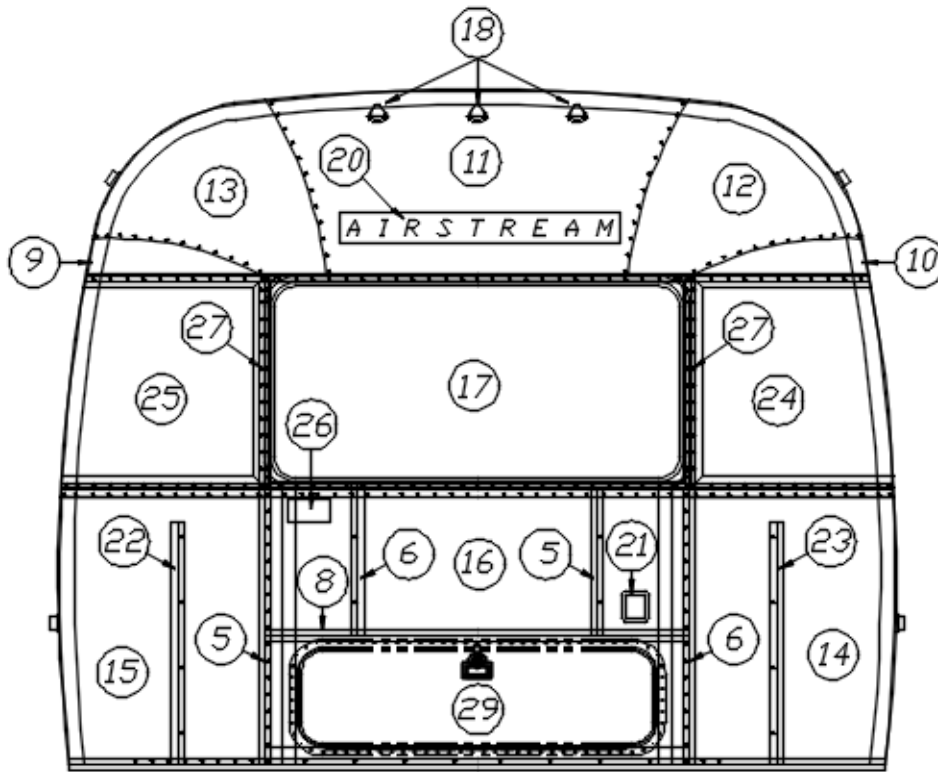
# 2022 GLOBETROTTER EXTERIOR SHELL

## Front End, 25FB

921240-01	Front Shell, 25FB
1. 114993	End bow
2. 114676	Floor bow
3. 114678	Upper window bow
4. 114677	Lower window bow
5. 114505-01	Support, Lower end, LH
6. 114505-02	Support, Lower end, RH
7. 101315	Brace, vertical rear
8. 104408	Z-rib
9. 371346-02	Front window, Flat, 48.97"
10. 114888	Segment, Center left
11. 114889	Segment, Center right
12. 114893	Segment #25
13. 114890	Segment #26
14. 114891	Segment #27
15. 114894	Segment #28
16. 114895	Segment #29
17. 115609-06	Aluminum sheet, .04 x 45 x 154.5"
18. 512859	LED clearance light, Amber
19. 115699	Plate-Backer End Shell
20. 101315-01	Vertical brace, Rear, LH
21. 101315-02	Vertical brace, Rear, RH
22. 372088-101	Panoramic window, RS front
23. 372089-101	Panoramic window, CS front
24. 454910	Support, Wrap window
25. 386118	Label, LP Gas Tri-Warning
26. 923468-01	Compartment Door-Large, Assy
100029	Trim, Wrap around window
204221	Styrofoam, End Shell

# 2022 GLOBETROTTER EXTERIOR SHELL

Front End, 27FB, 25FB Twin



Parts Listed on Next Page

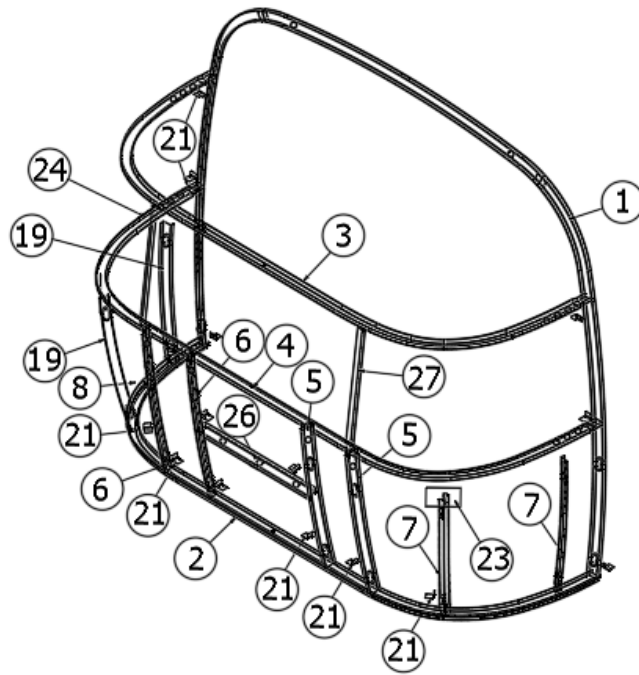
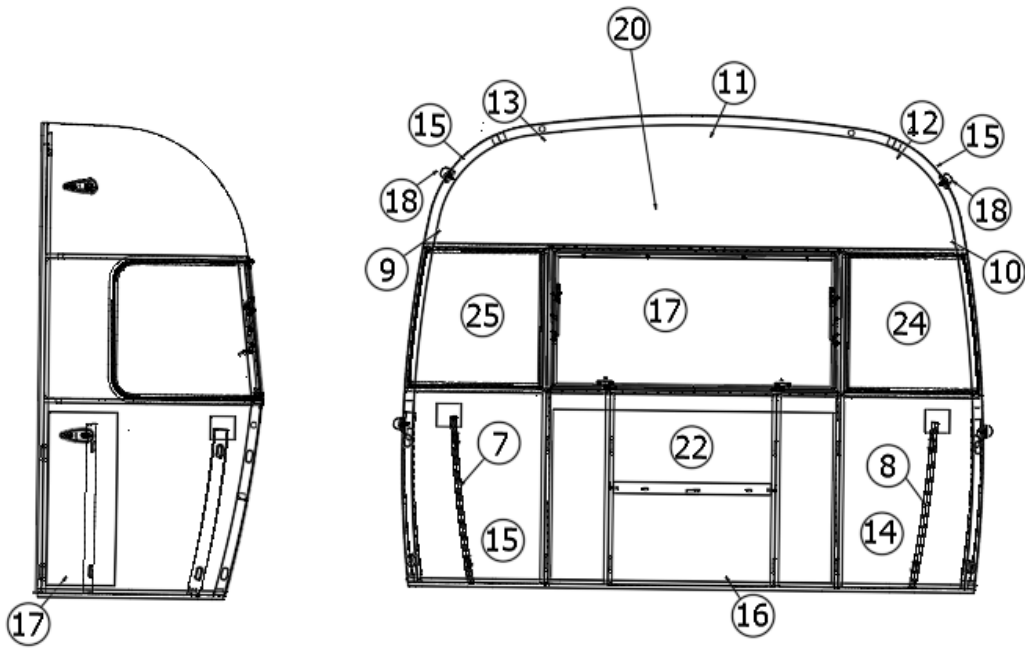
## 2022 GLOBETROTTER EXTERIOR SHELL

### Front End, 27FB, 25FB Twin

921244-01	Front End shell w/Panoramic Windows
1. 114993	Weldment, Zero bow, "WB"
2. 114676	Bow, Floor, Altered
3. 114678	Bow, Upper window, Altered
4. 114677	Bow, Lower window, Altered
5. 114505-01	Support, Lower end, LH
6. 114505-02	Support, Lower end, RH
7. 101315	Brace, vertical rear
8. 104408	Z-rib
9. 114888	Segment, Center left
10. 114889	Segment, Center right
11. 114893	Segment, #25, WB
12. 114890	Segment, #26
13. 114891	Segment, #27
14. 114894	Segment, #28
15. 114895	Segment, #29
16. 115609-06	Aluminum sheet, .04 x 45 x 154.5"
17. 371346-02	Window, 49.63" x 24.19", Silver handles
18. 512859	LED clearance light, Amber
19. 114849-06	Aluminum sheet, .06" x 36" x 8', Black
20. 386272	Decal, "AIRSTREAM", Black Chrome
21. 513797	Inlet, 30A, Smartplug, Grey
22. 101315-01	Vertical brace, LH
23. 101315-02	Vertical brace, RH
24. 372088-101	Panoramic window, RS front
25. 372089-101	Panoramic window, CS front
26. 386118	Label, LP Gas Tri-Warning
27. 454910	Support, Wrap window
28. 923468-01	Compartment Door-Large, Assy
204221	Styrofoam, End Shell

# 2022 GLOBETROTTER EXTERIOR SHELL

Front End, 30RB



Parts Listed on Next Page



## 2022 GLOBETROTTER EXTERIOR SHELL

### Front End, 30RB

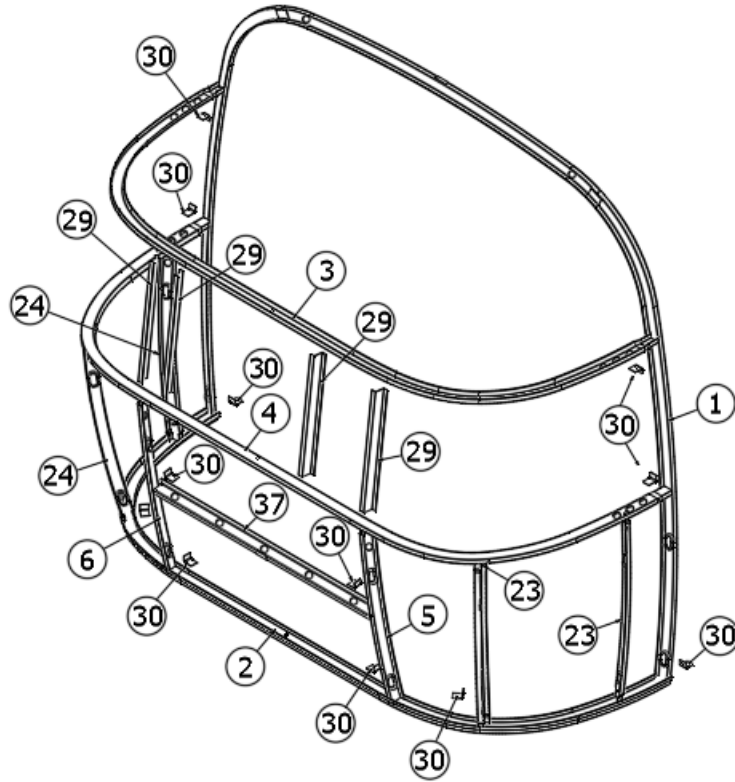
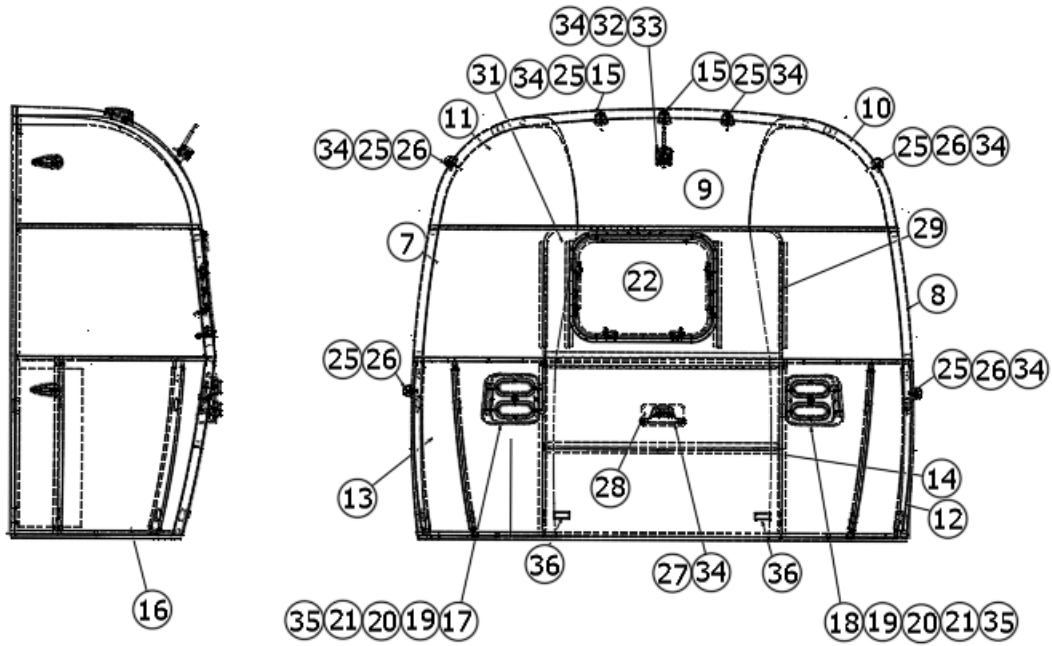
923485

End Shell, Front Panoramic 30RB

1. 114993 Weldment, Zero bow, "WB"
2. 114676 Bow, Floor, Altered
3. 114678 Bow, Upper window, Altered
4. 114677 Bow, Lower window, Altered
5. 114505-01 Support, Lower end, LH
6. 114505-02 Support, Lower end, RH
7. 101315-01 Brace-LH Vert.Rear Sect 29"
8. 101315-02 Brace-RH Vert.Rear Sect 29"
9. 114888 Segment, Center left
10. 114889 Segment, Center right
11. 114893 Segment, #25, WB
12. 114890 Segment, #26
13. 114891 Segment, #27
14. 114894 Segment, #28
15. 114895 Segment, #29
16. 116140 Exterior Plate - Frt Lower 30 GLO
17. 371346-02 Window-48.97" Flat Front/Wrap RR
18. 512859 LED clearance light, Amber
19. 115699 Plate-Backer End Shell
20. 386272 Decal, "AIRSTREAM", Black Chrome
21. 114813-01 Angle-1.00 X 1.25 X 1.50
22. 116142 Plate Front Liner - Wide Body
23. 115444 Install - Backer Plate
24. 372088-101 Panoramic window, RS front
25. 372089-101 Panoramic window, CS front
26. 116037 Z Bar- Horizontal Frame 27.25"
27. 454910 Support, Wrap window
- 204221 Styrofoam, End Shell
- 455754 Support Bracket, 14 Ga Steel

# 2022 GLOBETROTTER EXTERIOR SHELL

Aft End, 23 FB



Parts Listed on Next Page

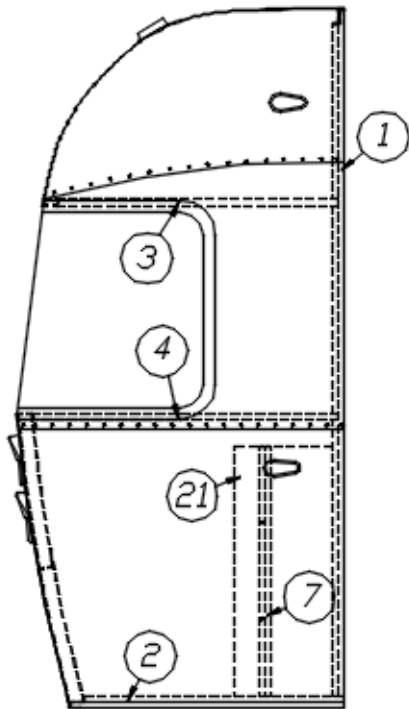
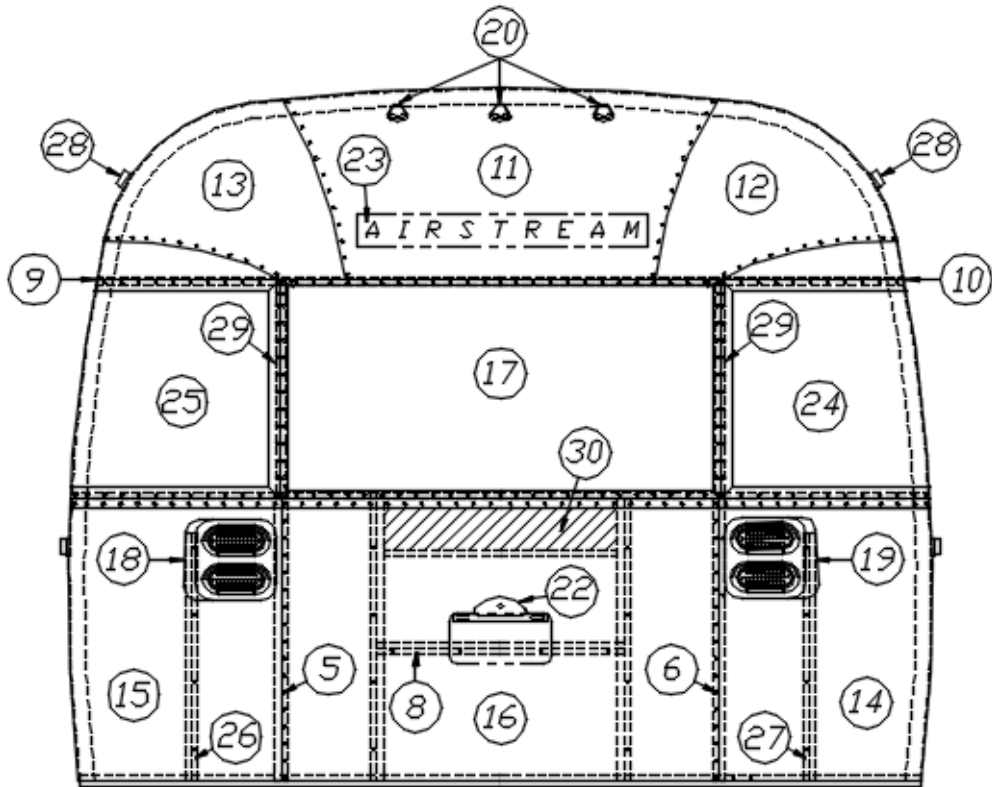
## 2022 GLOBETROTTER EXTERIOR SHELL

Aft End, 23 FB

923451	Narrow body, End shell assembly, Rear
1. 114994	Weldment Zero Bow "NB"
2. 104463	Bow Floor, Narrow Body Trl
3. 115480	Bow-Upper Window NB
4. 104343	Bow-Lower Window-Narrow Body Trl
5. 114505-01	Support Lower End Shell LH
6. 114505-02	Support Lower End RH
7. 114888	Segment-Center Left ""Bright"" RS Rear
8. 114889	Segment-Center Right ""Bright"" CS Rear
9. 114892	Segment #25 Narrow Bright
10. 114890	Segment-#26 ""Bright"
11. 114891	Segment-#27 ""Bright"
12. 114894	Segment-#28 ""Bright"
13. 114895	Segment-#29 ""Bright"
14. 116069	Exterior plate, Rear end shell
15. 512928	Light-Clearance W/Curved Bezel#L14-0103r
16. 382389	Gasket-Clearance Light
17. 115699	Plate-Backer End Shell
18. 952929-01	Taillight Assy-RS FC
19. 952929-02	Taillight Assy- CS FC
20. 115074	Bracket-Center Taillight Int
21. 115073-01	Bracket-R.S. Taillight Int
22. 115073-02	Bracket-C.S. Taillight Int
23. 372218-01	Window-21"" X 28"" Egress
24. 101315-01	Brace-LH Vert. Rear Sect. 29"
25. 101315-02	Brace-RH Vert. Rear Sect. 29"
26. 512860	Light-Clearance Red
27. 512409	Holder-License Plate Led Blk, Plastic
28. 382225	Grommet, Black, 1/2" OD
29. 116046	Exterior Z-Rib - 20.00"
30. 114813-01	Angle-1.00 X 1.25 X 1.50
31. 116042	Exterior Plate, Rear End Shell, Offset Window
32. 365392	Gasket-Backup Camera
33. 512946-01	Observation System-Digital Wireless Kit
34. 382225	Grommet-Black .5 OD X .26"TK #DGB-4
35. 382079	Grommet-Expandable 1 1/4OD 5/32"-1/2" ID
36. 510446	Reflector, Stick On-Red W/Chrome Edge
37. 116038	Z Bar- Horizontal Frame 43.50"

# 2022 GLOBETROTTER EXTERIOR SHELL

Aft End, 25 FB, 27FB



Parts Listed on Next Page

## 2022 GLOBETROTTER EXTERIOR SHELL

Aft End, 25FB, 27FB

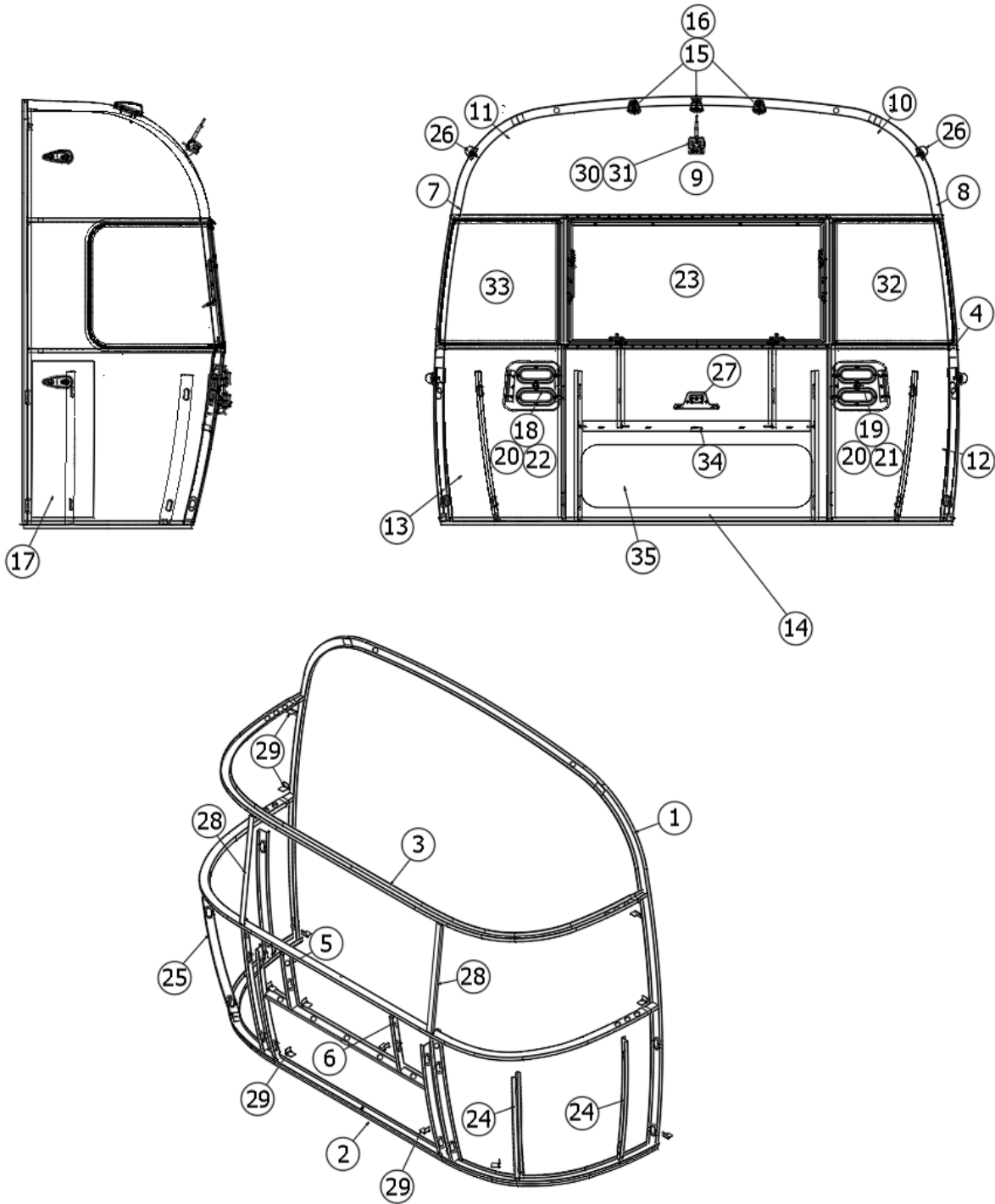
921227-02

Aft End Shell

1. 114993 End bow
2. 114676 Floor bow
3. 114678 Upper window bow
4. 114677 Lower window bow
5. 114505-01 Support, Lower end, LH
6. 114505-02 Support, Lower end, RH
7. 101315 Brace, Vertical rear
8. 104408 Extrusion rib
9. 114888 Segment, Center left
10. 114889 Segment, Center right
11. 114893 Segment, #25
12. 114890 Segment, #26
13. 114891 Segment, #27
14. 114894 Segment, #28
15. 114895 Segment, #29
16. 115609-06 Aluminum sheet, .04 x 45 x 154.5"
17. 371346-02 Window, 48.97" flat front
18. 952929-01 Tail light assembly, Roadside
19. 952929-02 Tail light assembly, Curbside
20. 512928 Curved bezel w/gasket, Required for 3 top lights
21. 114849-06 Aluminum sheet, .06" x 36" x 8', Black
22. 512409 License plate holder
23. 386272 Decal, "AIRSTREAM", Black Chrome
24. 372088-101 Panoramic window, CS rear
25. 372089-101 Panoramic window, RS rear
26. 101315-01 Support, Lower end shell, LH
27. 101315-02 Support, Lower end shell, RH
28. 512860 LED clearance light, Red
29. 454910 Support, Wrap window
30. 453629 Hat section, Table support
- 204221 Styrofoam, End Shell

# 2022 GLOBETROTTER EXTERIOR SHELL

Aft End, 30RB



Parts Listed on Next Page

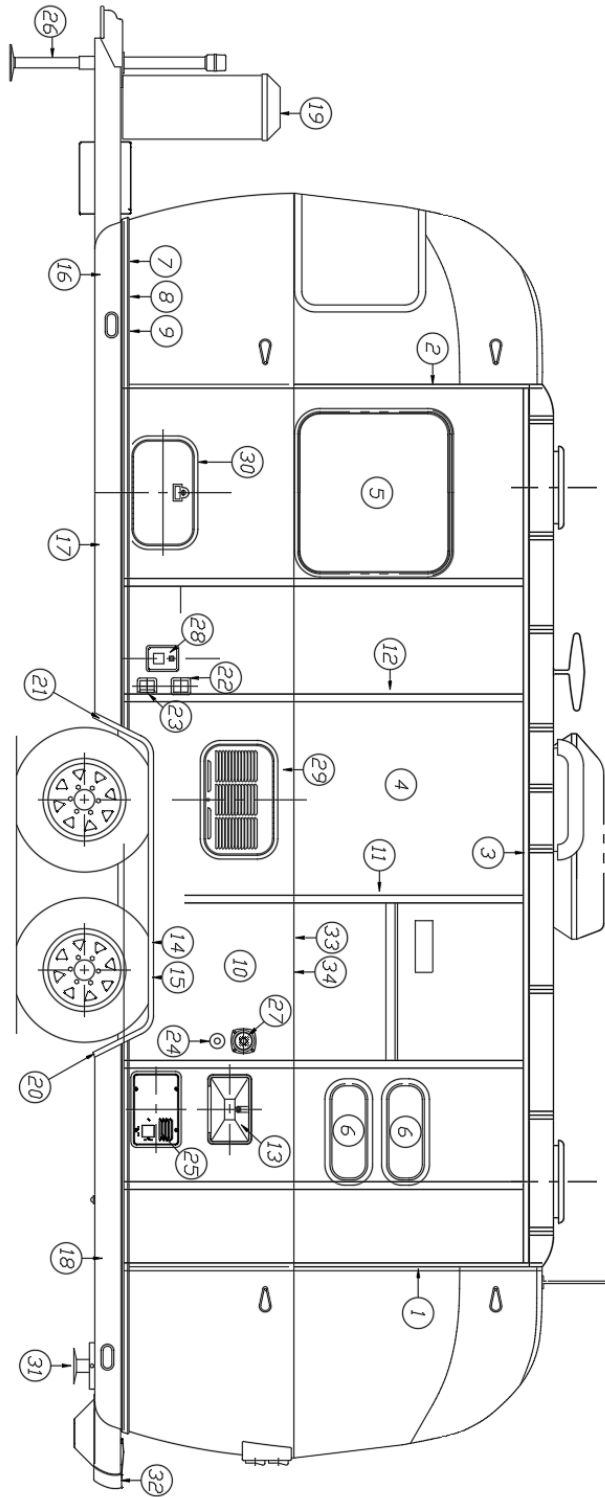
## 2022 GLOBETROTTER EXTERIOR SHELL

### Aft End, 30RB

1. 114993	Weldment Zero Bow Wide Body
2. 114676	Bow Floor, Wide Body Trl
3. 114678	Bow-Upper Window, WB
4. 114677	Bow-Lower Window-Wide Body Trl
5. 114505-01	Support Lower End Shell LH
6. 114505-02	Support Lower End RH
7. 114888	Segment-Center Left ""Bright"" RS Rear
8. 114889	Segment-Center Right ""Bright"" CS Rear
9. 114893	Segment #25 Wide Body
10. 114890	Segment-#26 ""Bright"
11. 114891	Segment-#27 ""Bright"
12. 114894	Segment-#28 ""Bright"
13. 114895	Segment-#29 ""Bright"
14. 116138	Exterior Plate-Rear Lower Large Door 30 Glo
15. 512928	Light-Clearance W/Curved Bezel#L14-0103r
16. 382389	Gasket-Clearance Light
17. 115699	Plate-Backer End Shell
18. 952929-01	Taillight Assy-RS FC
19. 952929-02	Taillight Assy- CS FC
20. 115074	Bracket-Center Taillight Int
21. 115073-01	Bracket-R.S. Taillight Int
22. 115073-02	Bracket-C.S. Taillight Int
23. 371346-01	Window 48.97" Flat
24. 101315-01	Brace-LH Vert. Rear Sect. 29"
25. 101315-02	Brace-RH Vert. Rear Sect. 29"
26. 512860	Light-Clearance Red
27. 512409	Holder-License Plate Led Blk, Plastic
28. 454910	Support- Wrap Window Trailer
29. 114813-01	Angle-1.00 X 1.25 X 1.50
30. 365392	Gasket-Backup Camera
31. 512946-01	Observation System-Digital Wireless Kit
32. 372088-101	Panoramic window, CS rear
33. 372089-101	Panoramic window, RS rear
34. 116038	Z Bar- Horizontal Frame 43.50"
35. 923468-01	Compartment Door-Large, Assy
382225	Grommet-Black .5 OD X .26"TK #DGB-4
382079	Grommet-Expandable 1 1/4OD 5/32"-1/2" ID
204221	Styrofoam, End Shell

# 2022 GLOBETROTTER EXTERIOR SHELL

Wall, Roadside, 23FB



Parts Listed on Next Page



# 2022 GLOBETROTTER

## EXTERIOR SHELL

### Wall, Roadside, 23FB

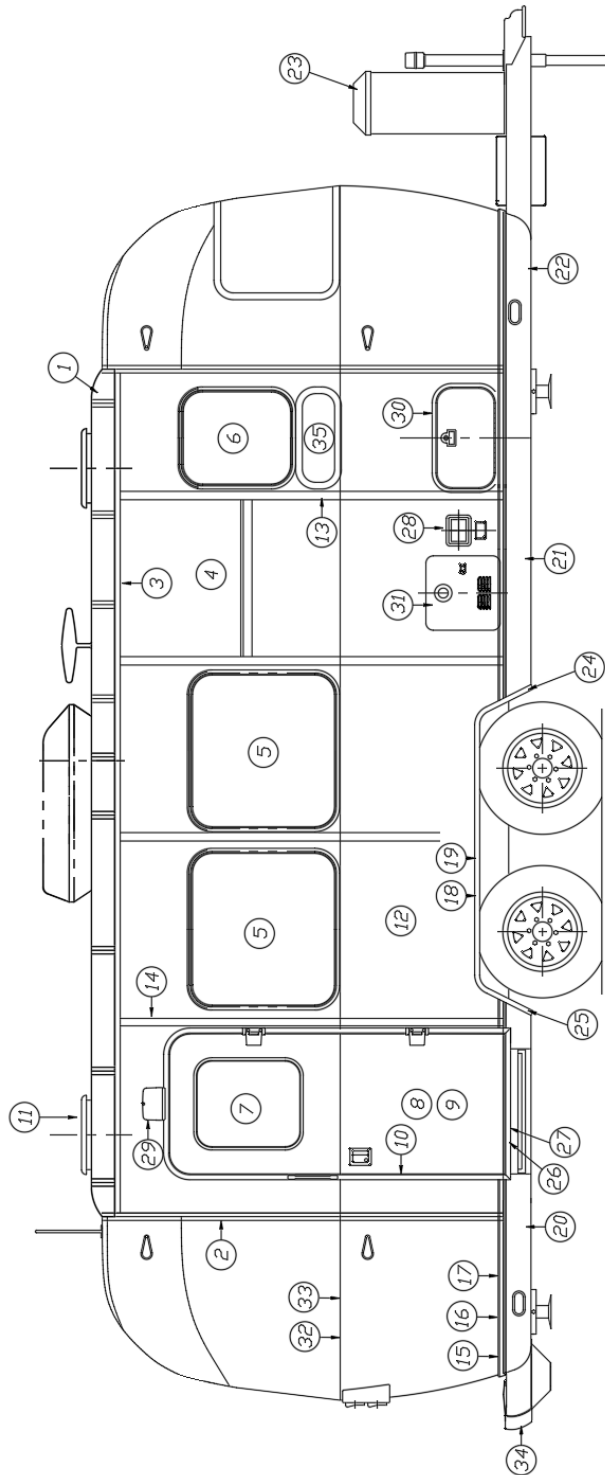
923446S  
969077

Shell Assembly  
Assembly, RS Wall, 23FB

1. 114290-01 Extrusion, Awning/drip rail
2. 114993 Rib, End bow
3. 104707-01 Extrusion, "I" beam
4. 114880-05 Exterior skin, Upper, .04 x 51 x 173.5"
5. 371380-01 Window, 30", Egress
6. 371436 Window, 18" stacked
7. 115546 Extrusion, Rub rail
8. 201763-100 Insert, Rub rail, 1", Chrome
9. 100986 Floor channel
10. 114879-05 Exterior Skin, Lower, .04 x 33 x 173.5"
11. 114387-01 Bow, Z-rib, RH
12. 114387-02 Bow, Z-rib, LH
13. 602326 Exterior shower
14. 684936 Wheel well trim, Outer, Dual axle
15. 684937 Wheel well trim, Inner, Dual axle
16. 204254-06 Banana wrap, RS front, Black
17. 116167-02 Underbelly skin, sheet, .023 x 30 x 160"
18. 204254-04 Banana wrap, RS rear, Black
19. 921246-01 LP tank cover, Black
20. 114466-01 Casting, Rub rail, Wheel well, RH
21. 114466-02 Casting, Rub rail, Wheel well, LH
22. 513685 Dual inlet, TV/satellite, Gray
23. 513797 Inlet, 30A, Smartplug, Grey
24. 601441-02 Black tank flush
25. 690664-05 Furnace exterior door & bezel, Painted Aluminum
26. 401075-01 Jack-Electric-3500#
27. 601392-06 City water hook-up w/regulator, Chrome
28. 601194 Water fill w/lock, Gray
29. 923468-01 Compartment Door-Large, Assy
30. 401027-01 Stabilizer jack, Each
31. 411055 Rear bumper
32. 114328 Extrusion, Belt line molding
33. 201912-100 Molding, Belt line insert, Chrome
34. 511017-11 Exterior vent, Gray

# 2022 GLOBETROTTER EXTERIOR SHELL

Wall, Curbside, 23FB



Parts Listed on Next Page

# 2022 GLOBETROTTER

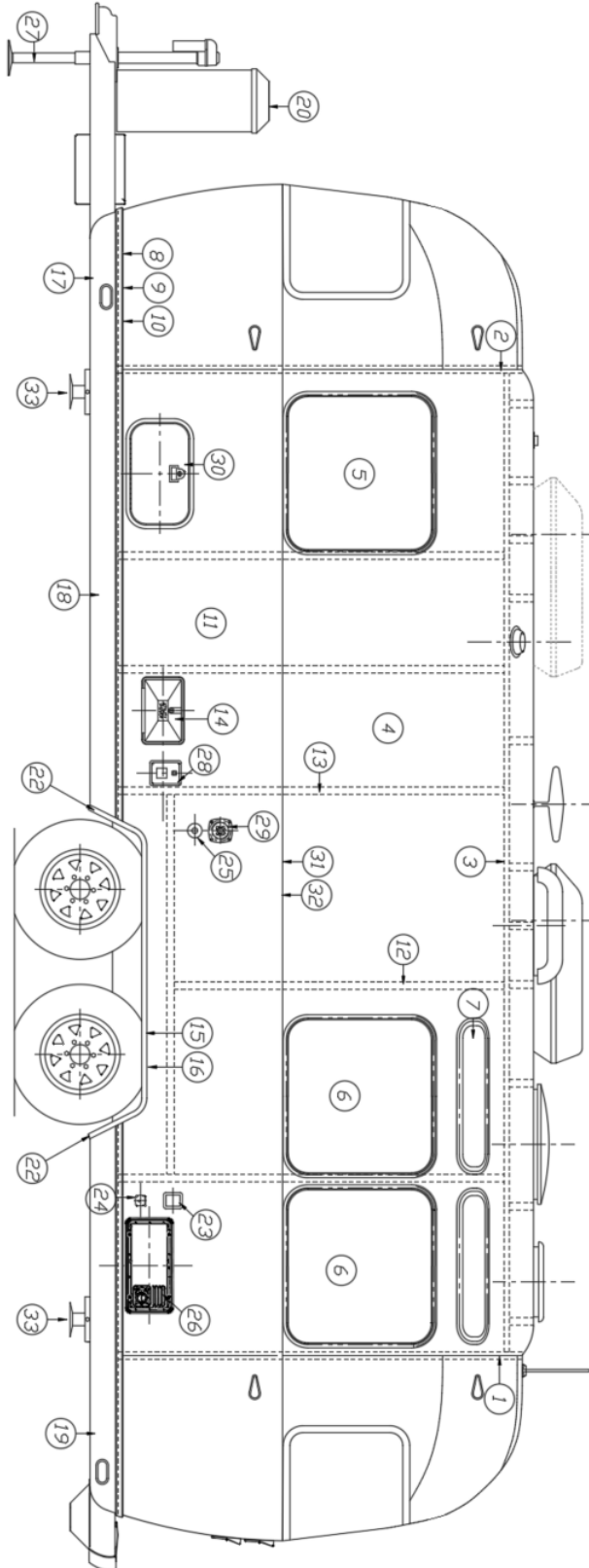
## EXTERIOR SHELL

Wall, Curbside, 23FB

923446S	Shell Assembly
923464	Assembly, CS Wall, 23FB
1. 114290-01	Extrusion, Awning/drip rail
2. 114993	Rib, End bow
3. 104707-01	Extrusion, "I" beam
4. 114880-05	Exterior skin, Upper, .04 x 51 x 173.5"
5. 371380	Window-Opening 30" Tall
6. 371323-01	Window-18" Opening
7. 371400-01	Window, Main door
8. 114654-01	Screen door
9. 115207-05	Main door
10. 114652	Jamb, Main door, Pre formed
11. 690266-06	Power ventilator w/o garnish
12. 114879-05	Exterior Skin, Lower, .04 x 33 x 173.5"
13. 114387-01	Bow, Z-rib, RH
14. 114387-02	Bow, Z-rib, LH
15. 115546	Extrusion, Rub rail
16. 201763-100	Insert, Rub rail, 1", Chrome
17. 100986	Floor channel
18. 684936	Wheel well trim, Outer, Dual axle
19. 684937	Wheel well trim, Inner, Dual axle
20. 204254-03	Banana wrap, CS rear, Black
21. 116167-02	Underbelly skin, sheet, .023 x 30 x 160"
22. 204254-05	Banana wrap, CS front, Black
23. 921246-01	LP tank cover, Black
24. 114466-01	Casting, Rub rail, Wheel well, RH
25. 114466-02	Casting, Rub rail, Wheel well, LH
26. 114465-02	Casting, Rub rail, Door, LH
27. 114465-01	Casting, Rub rail, Door, RH
28. 512741	Water proof cover w/gasket, Gray
29. 101323	Casting, Main door light
100679-01	Side access door
30. 923467-01	Compartment door, small
31. 690769-03	Water heater door, Grey
32. 114328	Extrusion, Belt line molding
33. 201912-100	Molding, Belt line, Chrome
34. 411055	Rear bumper
35. 371436	Window, 18" stacked

# 2022 GLOBETROTTER EXTERIOR SHELL

Wall, Roadside, 25FB



Parts Listed on Next Page

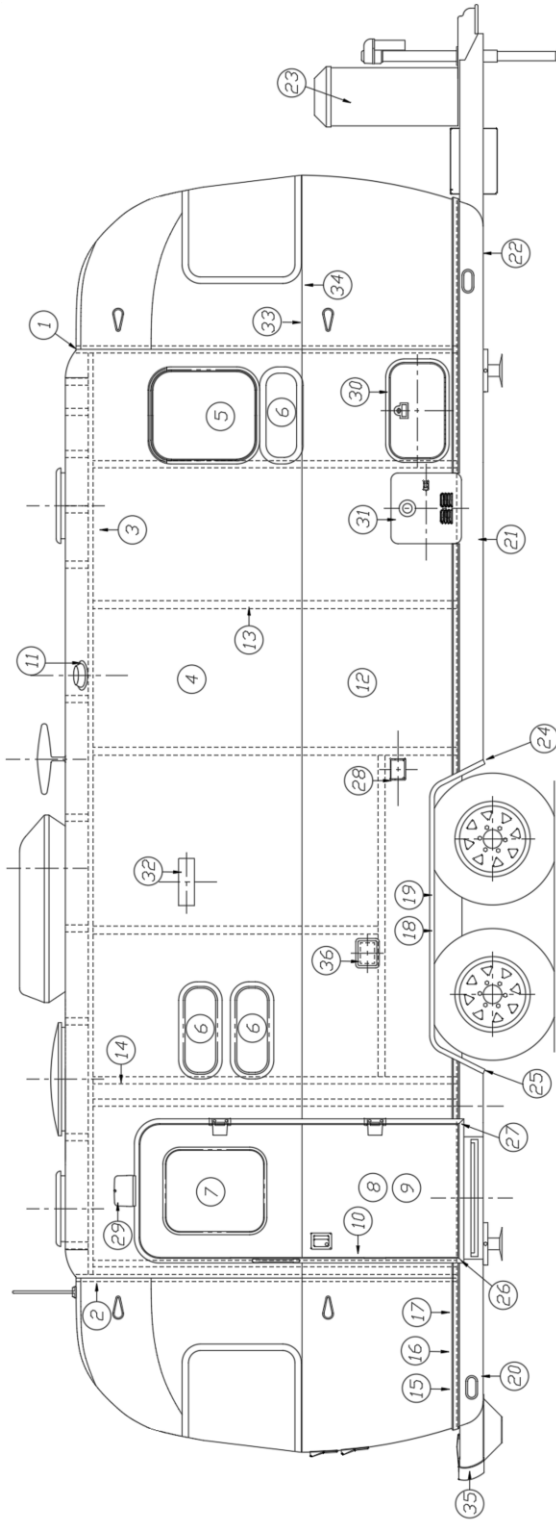
## 2022 GLOBETROTTER EXTERIOR SHELL

### Wall, Roadside, 25FB

923385S 969564	Shell Assembly Assembly, RS wall, 25FB
1. 114290-01	Extrusion, Awning/drip rail
2. 114993	Rib, End bow
3. 104707-01	Extrusion, "I" beam
4. 114880-04	Exterior skin, Upper, .04 x 51 x 199.25"
5. 371380-01	Window, 30", Egress
6. 371380	Window, 30" tall, Opening
7. 371437-02	Vista view window, 30"
8. 115546	Extrusion, Rub rail
9. 201763-100	Insert, Rub rail, 1", Chrome
10. 100986	Floor channel
11. 114879-04	Exterior skin, Lower, .04 x 33 x 199.25"
12. 114387-01	Bow, Z-rib, RH
13. 114387-02	Bow, Z-rib, LH
14. 602326	Exterior shower
15. 684936	Wheel well trim, Outer, Dual axle
16. 684937	Wheel well trim, Inner, Dual axle
17. 204254-02	Banana wrap, RS front, Black
18. 116167-02	Underbelly skin, sheet, .023 x 30 x 160"
19. 204254-04	Banana wrap, RS rear, Black
20. 921246-01	LP tank cover, Black
21. 114466-01	Casting, Rub rail, Wheel well, RH
22. 114466-02	Casting, Rub rail, Wheel well, LH
23. 513685	Dual inlet, TV/satellite, Gray
24. 513797	Inlet, 30A, Smartplug, Grey
25. 601441-02	Black tank flush
26. 690664-05	Furnace exterior door & bezel, Painted Aluminum
27. 401075-01	Jack-Electric-3500#
28. 601194	Water fill w/lock, Gray
29. 601392-06	City water hook-up w/regulator, Chrome
30. 923467-01	Compartment door, small
31. 114328	Extrusion, Belt line molding
32. 201912-100	Molding, Belt line insert, Chrome
33. 401027-01	Stabilizer jack, Each

# 2022 GLOBETROTTER EXTERIOR SHELL

Wall, Curbside, 25FB



Parts Listed on Next Page

# 2022 GLOBETROTTER

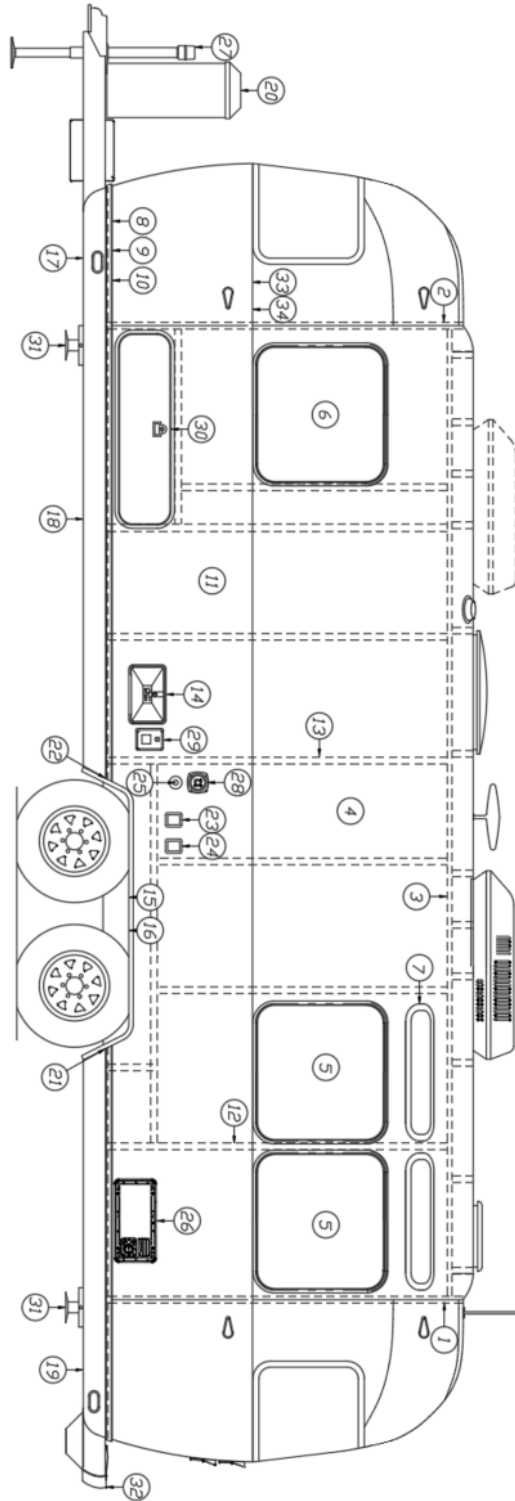
## EXTERIOR SHELL

### Wall, Curbside, 25FB

923385S 968909	Shell Assembly Assembly, CS Wall, 25FB
1. 114290-01	Extrusion, Awning/drip rail
2. 114993	Rib, End bow
3. 104707-01	Extrusion, "I" beam
4. 114880-04	Exterior skin, Upper, .04 x 51 x 199.25"
5. 371323-01	Window, 18", Opening
6. 371436	Window, 18" stacked
7. 371400-01	Window, Main door
8. 114654-01	Screen door
9. 115207-05	Main door
10. 114652	Jamb, Formed, Main door
11. 690266-06	Power ventilator w/o garnish
12. 114879-04	Exterior skin, Lower, .04 x 33 x 199.25"
13. 114387-01	Bow, Z-rib, RH
14. 114387-02	Bow, Z-rib, LH
15. 115546	Extrusion, Rub rail
16. 201763-100	Insert, Rub rail, 1", Chrome
17. 100986	Floor channel
18. 684936	Wheel well trim, Outer, Dual axle
19. 684937	Wheel well trim, Inner, Dual axle
20. 204254-03	Banana wrap, CS rear, Black
21. 116167-02	Underbelly skin, sheet, .023 x 30 x 160"
22. 204254-05	Banana wrap, CS front, Black
23. 921246-01	LP tank cover, Black
24. 114466-01	Casting, Rub rail, Wheel well, RH
25. 114466-02	Casting, Rub rail, Wheel well, LH
26. 114465-02	Casting, Rub rail, Door, LH
27. 114465-01	Casting, Rub rail, Door, RH
28. 512741	Water proof cover w/gasket, Gray
29. 101323	Casting, Main door light
30. 923467-01	Compartment door, small
31. 690769-03	Water heater door, Grey
32. 511017-11	Exterior vent, Gray
33. 114328	Extrusion, Belt line molding
34. 201912-100	Molding, Belt line, Chrome
35. 411054	Rear bumper
36. 115640	Stabilizer jack switch box

# 2022 GLOBETROTTER EXTERIOR SHELL

Wall, Roadside, 27FB



Parts Listed on Next Page



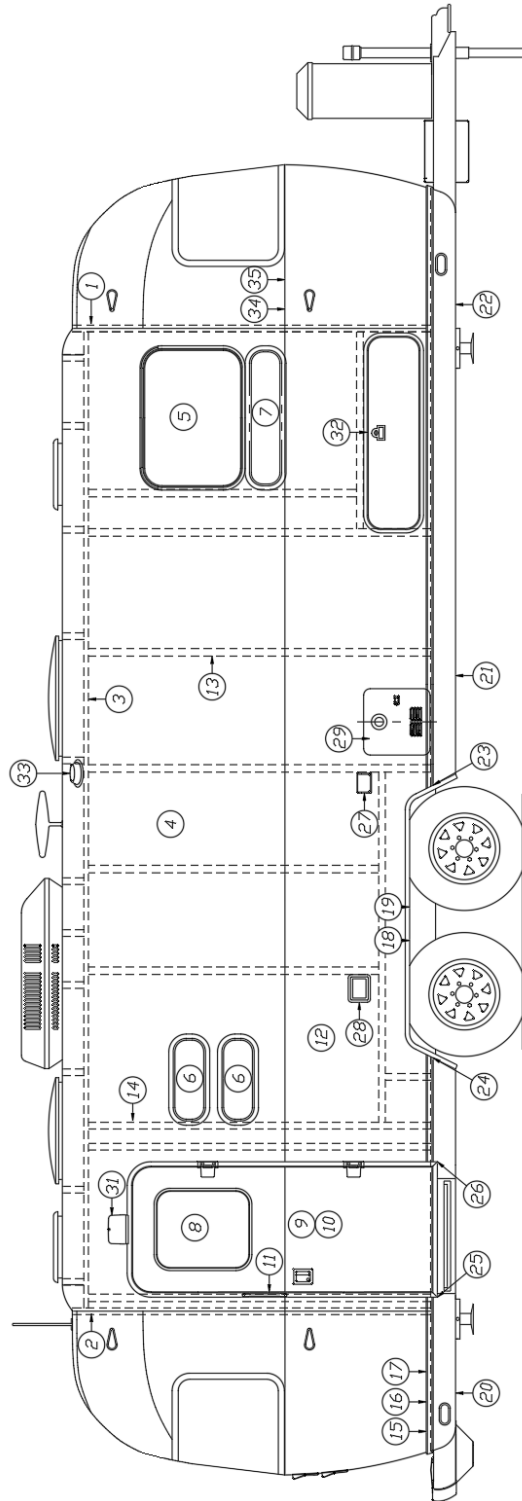
## 2022 GLOBETROTTER EXTERIOR SHELL

### Wall, Roadside, 27FB

923330S 969570	Shell Assembly Assembly, RS Wall, 27FB
1. 114290-01	Extrusion, Awning/drip rail
2. 114993	Rib, End bow
3. 104707-01	Extrusion, "I" beam
4. 114880-03	Exterior skin, Upper, .04 x 51 x 224.75"
5. 371380	Window, 30" tall, Opening
6. 371380-01	Window, 30", Egress
7. 371437-02	Vista view window, 30"
8. 115546	Extrusion, Rub rail
9. 201763-100	Insert, Rub rail, 1", Chrome
10. 100986	Floor channel
11. 114879-03	Exterior skin, Lower, .04 x 33 x 224.75"
12. 114387-01	Bow, Z-rib, RH
13. 114387-02	Bow, Z-rib, LH
14. 602326	Exterior shower
15. 684936	Wheel well trim, Outer, Dual axle
16. 684937	Wheel well trim, Inner, Dual axle
17. 204254-02	Banana wrap, RS front, Black
18. 116167-02	Underbelly skin, sheet, .023 x 30 x 160"
19. 204254-04	Banana wrap, RS rear, Black
20. 921246-01	LP tank cover, Black
21. 114466-01	Casting, Rub rail, Wheel well, RH
22. 114466-02	Casting, Rub rail, Wheel well, LH
23. 513685	Dual inlet, TV/satellite, Gray
24. 513797	Inlet, 30A, Smartplug, Grey
25. 601441-02	Black tank flush
26. 690747-01	Furnace exterior door & bezel, Painted Aluminum
27. 401075-01	Jack-Electric-3500#
28. 601392-06	City water hook-up w/regulator, Chrome
29. 601194	Water fill w/lock, Gray
30. 923468-01	Compartment Door-Large, Assy
31. 401027-01	Stabilizer jack, Each
32. 411054	Rear bumper
33. 114328	Extrusion, Belt line molding
34. 201912-100	Molding, Belt line insert, Chrome

# 2022 GLOBETROTTER EXTERIOR SHELL

Wall, Curbside, 27FB



Parts Listed on Next Page

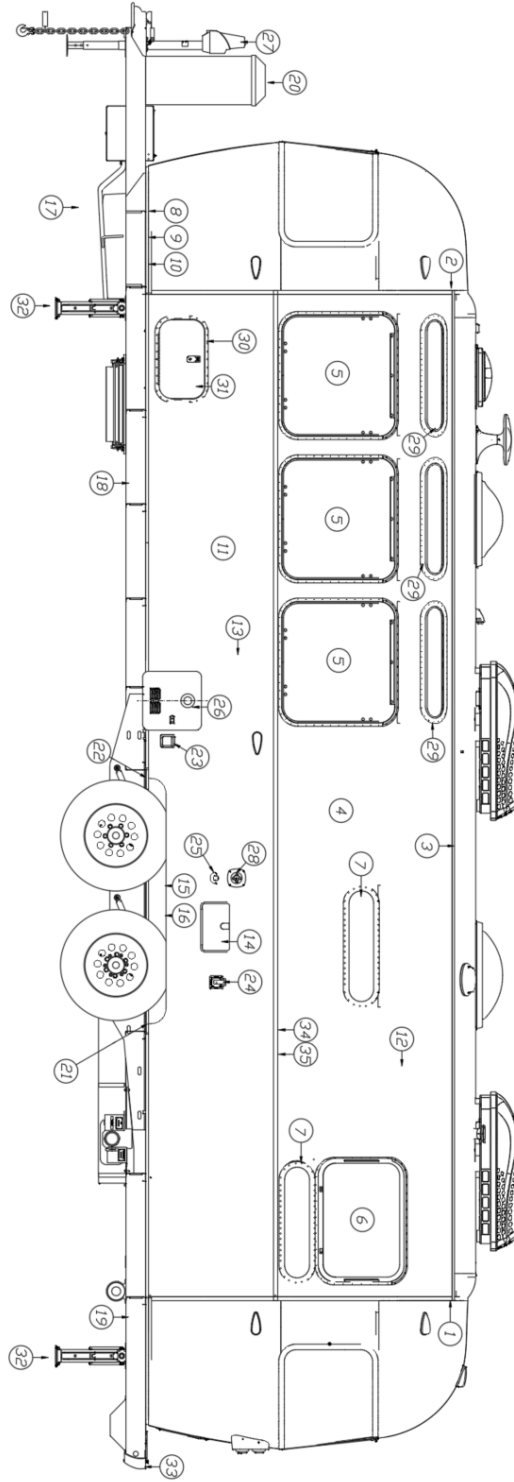
## 2022 GLOBETROTTER EXTERIOR SHELL

### Wall, Curbside, 27FB

923330S 966690	Shell Assembly Assembly, CS Wall, 27FB
1. 114290-01	Extrusion, Awning/drip rail
2. 114993	Rib, End bow
3. 104707-01	Extrusion, "I" beam
4. 114880-03	Exterior skin, Upper, .04 x 51 x 224.75"
5. 371324-02	Window, 30", Opening
6. 371436	Window, 18" stacked
7. 371435	Window, 30" stacked
8. 371400-01	Window, Main door
9. 115207-05	Main door
10. 114654-01	Screen door
11. 114652	Jamb, Formed, Main door
12. 114879-03	Exterior skin, Lower, .04 x 33 x 224.75"
13. 114387-01	Bow, Z-rib, RH
14. 114387-02	Bow, Z-rib, LH
15. 115546	Extrusion, Rub rail
16. 201763-100	Insert, Rub rail, 1", Chrome
17. 100986	Floor channel
18. 684936	Wheel well trim, Outer, Dual axle
19. 684937	Wheel well trim, Inner, Dual axle
20. 204254-03	Banana wrap, CS rear, Black
21. 116167-02	Underbelly skin, sheet, .023 x 30 x 160"
22. 204254-05	Banana wrap, CS front, Black
23. 114466-01	Casting, Rub rail, Wheel well, RH
24. 114466-02	Casting, Rub rail, Wheel well, LH
25. 114465-02	Casting, Rub rail, Door, LH
26. 114465-01	Casting, Rub rail, Door, RH
27. 512741	Water proof cover w/gasket, Gray
28. 513311	Switch, Stabilizer jack, DPDT
29. 690769-03	Water heater door, Grey
30. 511017-11	Exterior vent, Gray
31. 101323	Casting, Main door light
32. 923468-01	Compartment Door-Large, Assy
33. 690266-06	Power ventilator w/o garnish
34. 114328	Extrusion, Belt line molding
35. 201912-100	Molding, Belt line insert, Chrome

# 2022 GLOBETROTTER EXTERIOR SHELL

Wall, Roadside, 30RB



Parts Listed on Next Page

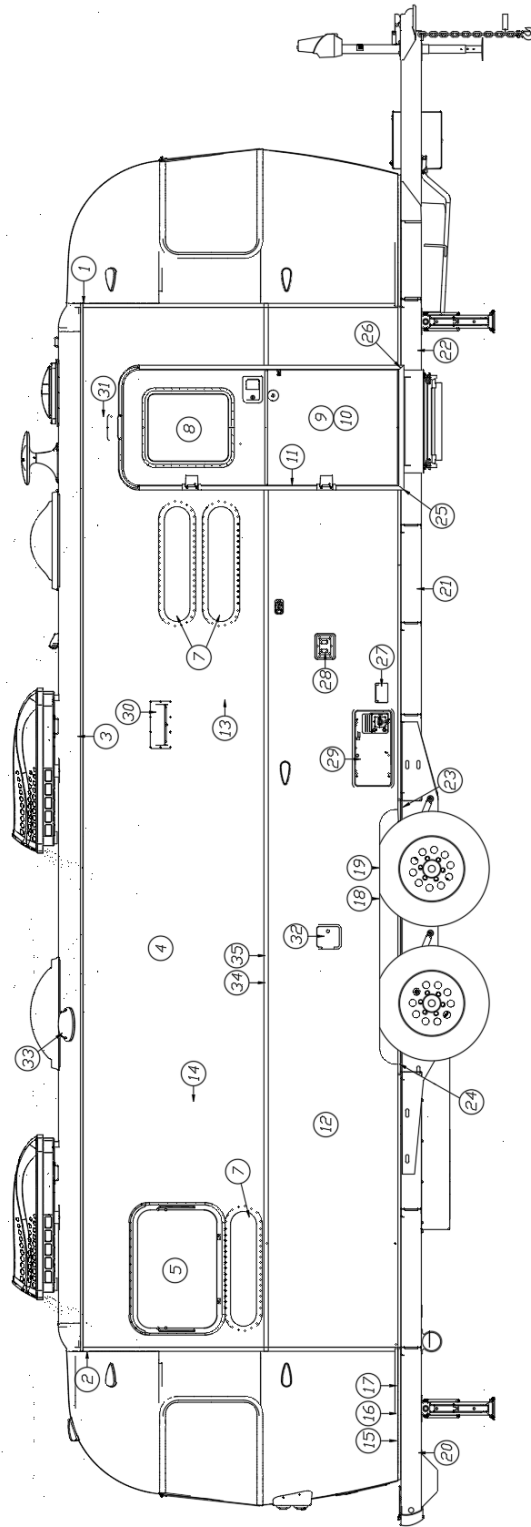
## 2022 GLOBETROTTER EXTERIOR SHELL

### Wall, Roadside, 30RB

923484S	Shell Assembly
923490	Assembly, RS Wall, 30RB
1. 114290-01	Extrusion, Awning/drip rail
2. 114993	Rib, End bow
3. 104707-06	Extrusion, "I" beam
4. 114880-02	Exterior skin, Upper, .04 x 51 x 284.5"
5. 371380	Window, 30" tall, Opening
6. 371324-02	Window-30" Opening
7. 371435	Window- 30" Stacked Dark Grey
8. 115546	Extrusion, Rub rail
9. 201763-100	Insert, Rub rail, 1", Chrome
10. 100986	Floor channel
11. 114879-02	Exterior skin, Lower, .04 x 33 x 284.5"
12. 114387-01	Bow, Z-rib, RH
13. 114387-02	Bow, Z-rib, LH
14. 602326	Exterior shower
15. 684936	Wheel well trim, Outer, Dual axle
16. 684937	Wheel well trim, Inner, Dual axle
17. 204254-02	Banana wrap, RS front, Black
18. 116167-02	Underbelly skin, sheet, .023 x 30 x 160"
19. 204254-04	Banana wrap, RS rear, Black
20. 921246-01	LP tank cover, Black
21. 114466-01	Casting, Rub rail, Wheel well, RH
22. 114466-02	Casting, Rub rail, Wheel well, LH
23. 513685	Dual inlet, TV/satellite, Gray
24. 513581	Inlet, 50A, Smartplug
25. 601441-02	Black tank flush
26. 690769-03	Water heater door, Grey
27. 401075-01	Jack-Electric-3500#
28. 601392-06	City water hook-up w/regulator, Chrome
29. 371437-02	Window-Vista View 30"
30. 923467	Frame Assy-Compartment Door-Small
31. 923467-01	Compartment Door Assy-Small
32. 401027-01	Stabilizer jack, Each
33. 411054	Rear bumper
34. 114328	Extrusion, Belt line molding
35. 201912-100	Molding, Belt line insert, Chrome

# 2022 GLOBETROTTER EXTERIOR SHELL

Wall, Curbside, 30RB



Parts Listed on Next Page

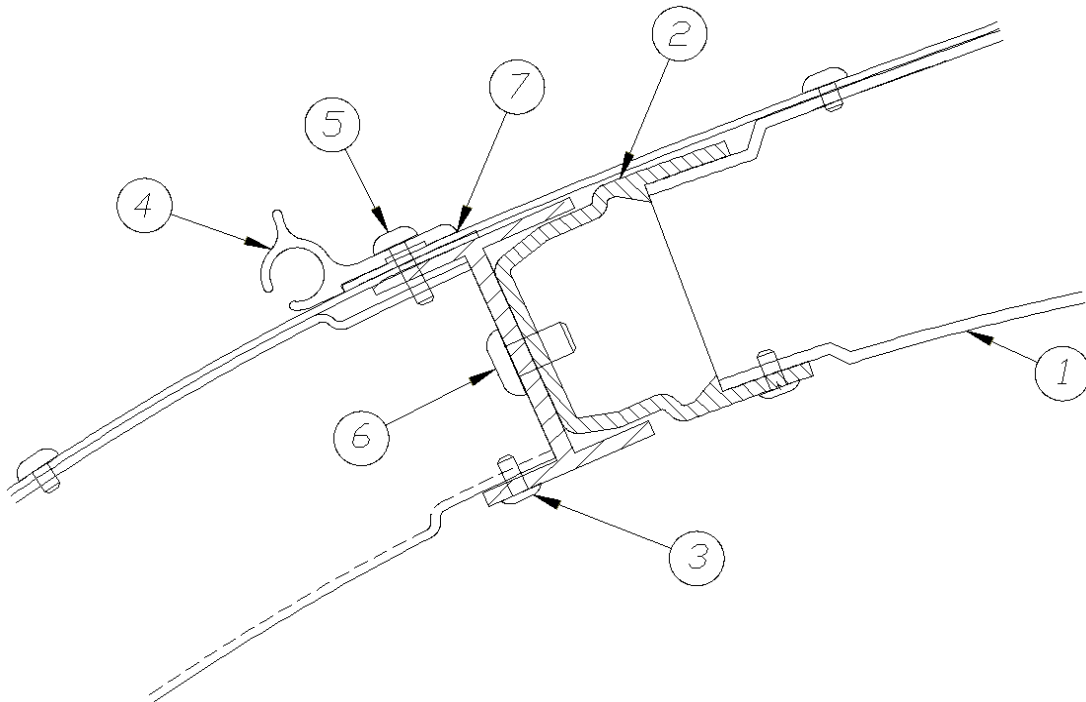
## 2022 GLOBETROTTER EXTERIOR SHELL

### Wall, Curbside, 30RB

923484S	Shell Assembly
923491	Assembly, CS Wall, 30RB
1. 114290-01	Extrusion, Awning/drip rail
2. 114993	Rib, End bow
3. 104707-06	Extrusion, "I" beam
4. 114880-02	Exterior skin, Upper, .04 x 51 x 284.5"
5. 371324-02	Window, 30", Opening
6. 371436	Window, 18" stacked
7. 371435	Window, 30" stacked
8. 371400-01	Window, Main door
9. 115207	Main door, LH Hinge
10. 114654	Screen door
11. 114652	Jamb, Main door
12. 114879-02	Exterior skin, Lower, .04 x 33 x 284.5"
13. 114387-01	Bow, Z-rib, RH
14. 114387-02	Bow, Z-rib, LH
15. 115546	Extrusion, Rub rail
16. 201763-100	Insert, Rub rail, 1", Chrome
17. 100986	Floor channel
18. 684936	Wheel well trim, Outer, Dual axle
19. 684937	Wheel well trim, Inner, Dual axle
20. 204254-03	Banana wrap, CS rear, Black
21. 116167-02	Underbelly skin, sheet, .023 x 30 x 160"
22. 204254-05	Banana wrap, CS front, Black
23. 114466-01	Casting, Rub rail, Wheel well, RH
24. 114466-02	Casting, Rub rail, Wheel well, LH
25. 114465-02	Casting, Rub rail, Door, LH
26. 114465-01	Casting, Rub rail, Door, RH
27. 512741	Water proof cover w/gasket, Gray
28. 115640	Stabilizer jack switch box
29. 690664-05	Furnace exterior door & bezel, Painted Aluminum
30. 511017-11	Exterior vent, Gray
31. 994165	Light Above Main Door Complete
32. 601194	Water Fill W/Lock Gray
33. 690266-06	Power ventilator w/o garnish
34. 114328	Extrusion, Belt line molding
35. 201912-100	Molding, Belt line insert, Chrome

# 2022 GLOBETROTTER EXTERIOR SHELL

## Roof, Narrow Body Trailers



923453

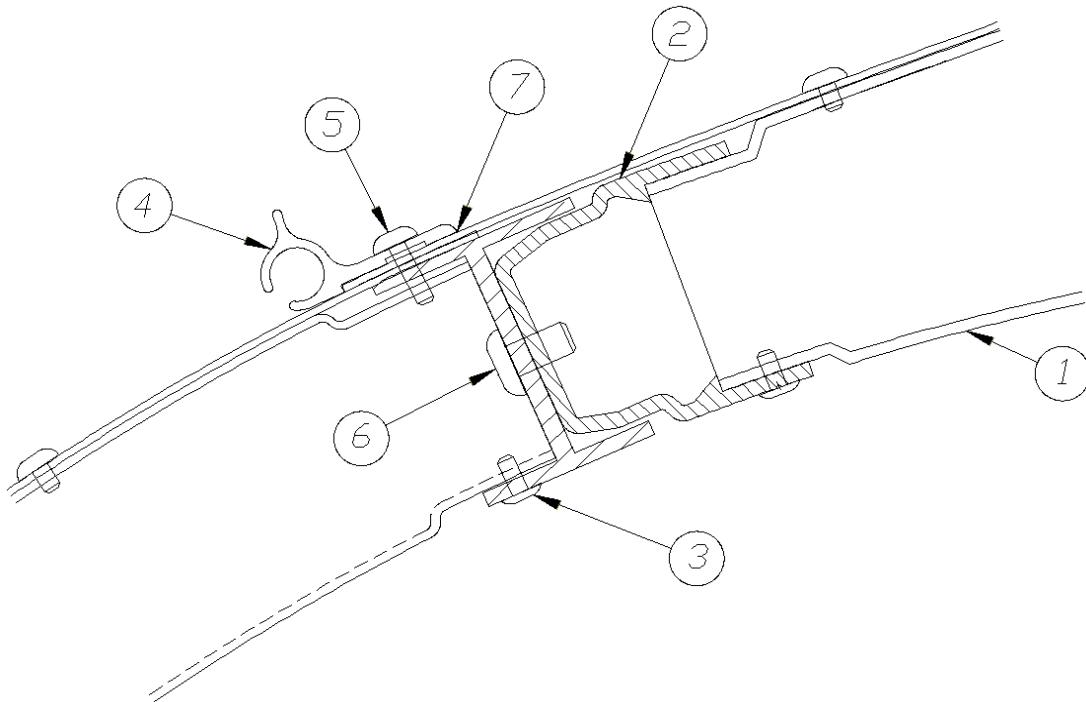
Roof Assembly, 23FB

- |              |  |
|--------------|--|
| 1. 115651    | Roof bow, NB                               |
| 2. 114987-01 | Extrusion, Roof corner                     |
| 3. 330127-03 | Rivet, 1/8", (Mill) AD43ABS                |
| 4. 114290-01 | Extrusion, Awning/drip rail, 197"          |
| 5. 325003-03 | Rivet, 1/8 x 7/16, White                   |
| 6. 330139-01 | Rivet, 1/4", Magnalok SS                   |
| 7. 365334    | Sealfoam gasket tape                       |
| 360209       | Sealant, Acryl-R seam, Aluminum            |
| 115728-02    | Aluminum sheet, White, .032 x 66.75 x 198" |
| 115652       | Z-Bar 3.13" Formed                         |
| 100341       | Refer, Vent Collar Large                   |



# 2022 GLOBETROTTER EXTERIOR SHELL

## Roof, Wide Body Trailers

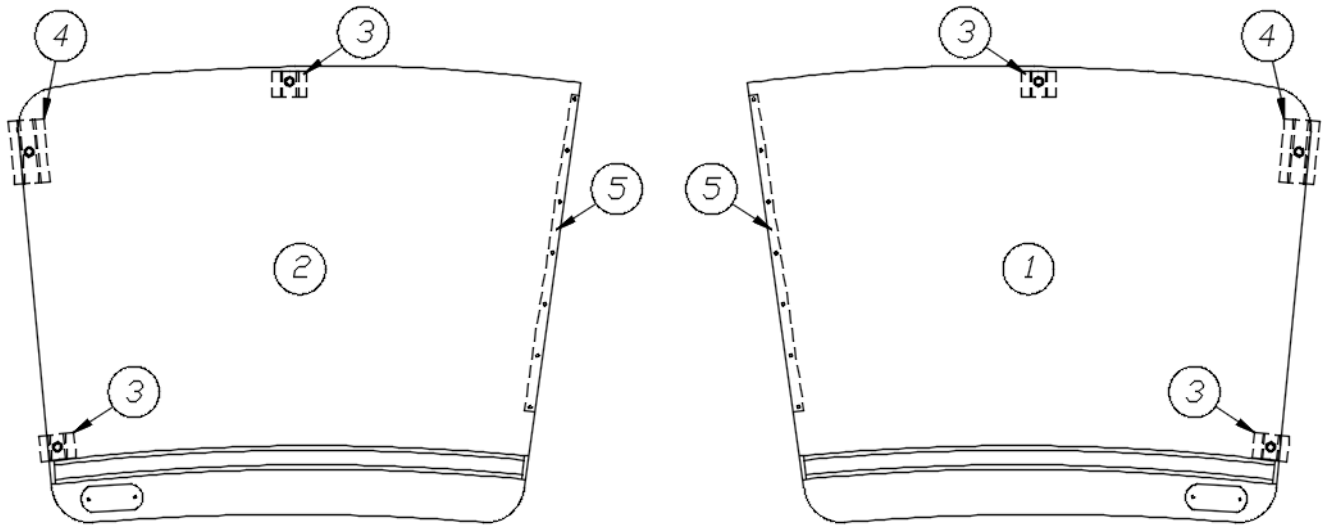


923384	Roof Assembly, 25FB
923340SGL	Roof Assembly, 27FB
923489	Roof Assembly, 30RB

1. 115586	Roof bow, WB
2. 114987-01	Extrusion, Roof corner
3. 330127-03	Rivet, 1/8", (Mill) AD43ABS
4. 114290-01	Extrusion, Awning/drip rail, 197"
5. 325003-03	Rivet, 1/8 x 7/16, White
6. 330139-01	Rivet, 1/4", Magnalok SS
7. 365334	Sealfoam gasket tape
360209	Sealant, Acryl-R seam, Aluminum
115727-02	Aluminum sheet, .032 x 72 x 225"
115727-03	Aluminum sheet, .032 x 72 x 285"
115571	Z-rib, 3", WB
115593	Transition cap, Stretched formed, WB

# 2022 GLOBETROTTER EXTERIOR SHELL

## Wrap Protectors and Holdbacks



- |              |                                |
|--------------|--------------------------------|
| 1. 966277    | Wrap Protector, Tall, RS       |
| 685366-100   | Wrap Protector, RS, Short, CSA |
| 2. 966276    | Wrap Protector, Tall, CS       |
| 685365-100   | Wrap Protector, CS, Short, CSA |
| 3. 114819-02 | Wrap protector hold back, 2"   |
| 4. 114819-03 | Wrap protector hold back, 5"   |
| 5. 381605-03 | Piano hinge, Stainless Steel   |
| 100742-01    | Extrusion, Mirror trim         |
| 115546       | Extrusion, Rub rail            |
| 201763-100   | Insert, Rub rail, 1", Chrome   |
| 114465-01    | Casting, Rub rail, RH          |
| 114465-02    | Casting, Rub rail, LH          |
| 685343       | Gusset, Corner                 |
| 500096       | Reflector, Amber               |
| 114819-04    | Holdback Assy - Wrap Protector |

# 2022 GLOBETROTTER

## INTERIOR SHELL

### Interior Skin

114879-04	Alum. Sheet .040 X 33" X 199.25" (Sold In A 45.65 Sheet)
114879-03	Alum. Sheet .040 X 33 X 224.75" (Sold In A 52 SF Sheet)
114880-02	Aluminum sheet, .04 x 51 x 284.5"
114880-03	Aluminum sheet, .40 X 51 X 224.75"
114880-04	Aluminum sheet, .04 x 51 x 199.25"
114880-05	Aluminum sheet, .04 x 51 x 173.5"
115609-02	Aluminum sheet, .04 x 45 x 286.5"
115609-04	Aluminum sheet, .04 x 45 x 201"
115609-05	Aluminum sheet, .04 x 45 x 175.5"
114891-01	Interior segment, Front RS, Rear CS

### Interior Wheel Well Liner

200844	Wheel well, Tandem, 66.5", A.B.S
200514	Wheel well Insulator, Plastic, Tandem

### Main Door Threshold

115565	Extrusion, Main door threshold
382290-01	End cap, Threshold, RH
382290-02	End cap, Threshold, LH

## 2022 GLOBETROTTER CHASSIS

### Axles, 23FB

410980-16	Axle-Dexter 3500# Nev Lube/Adjust
410980-102	12" LH Nev-R Adjust Brake Assembly
410980-103	12" RH Nev-R Adjust Brake Assembly

### Axles, 25FB, 27FB

410980-02	Axle, 3800 LBs, Nev-R-Adjust
410980-102	12" LH Nev-R Adjust Brake Assembly
410980-103	12" RH Nev-R Adjust Brake Assembly

### Axles, 30RB

410980-11	Axle, 4500 LBs, Nev-R-Adjust
410980-102	12" LH Nev-R Adjust Brake Assembly
410980-103	12" RH Nev-R Adjust Brake Assembly

### Shocks

0220003	Shock assembly
0250173-15	Bolt, Grade 5, 5/8"-18 x 1.5", Shock mount
0250173-20	Screw, Grade 5, 5/8-18 x 2"
0130068-818	Nut, Hex head, Flanged, 5/8", 18, Shock mount

### Tires and Wheels, 15"

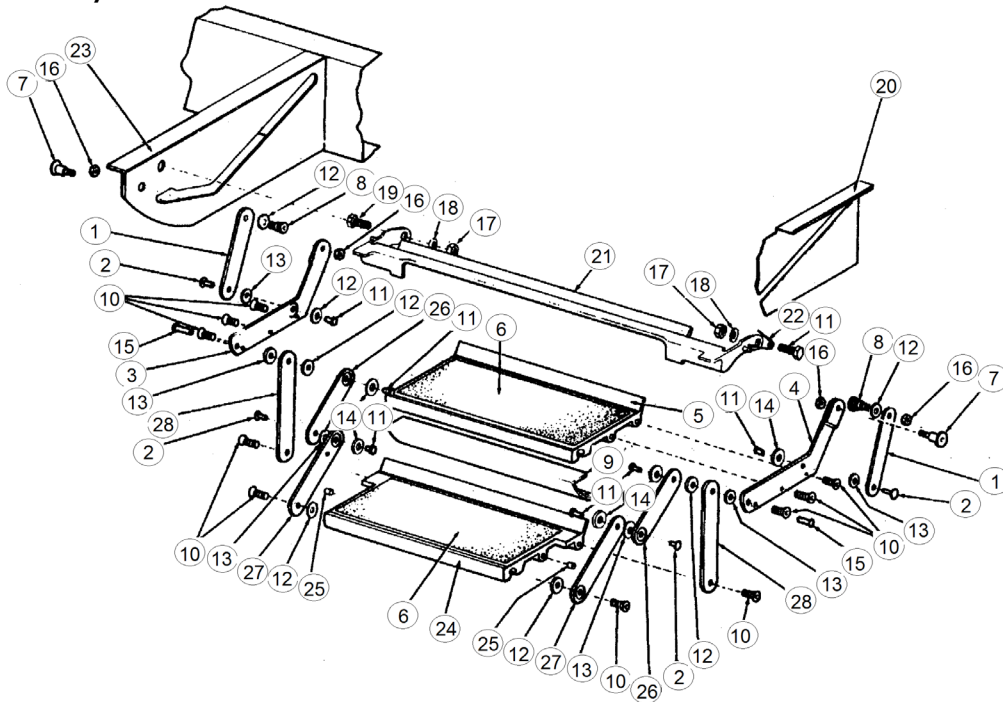
410840-02	Tire & Wheel assembly, "E" range
410840-100	Wheel only, 15", Aluminum
411052	Tire only, 15", Goodyear Endurance
400844-01	Center cap, Stainless Steel
400923	Lug nut, .5", Acorn type

### Spare Tire and Carrier

410843-02	Spare tire & wheel assembly, 15" "E"
410843-100	Wheel, 15", Steel
450414	"A" frame spare tire carrier
994073	Spare tire carrier bracket

# 2022 GLOBETROTTER CHASSIS

## Step Assembly



3440006

Double step assembly

- |               |  |
|---------------|--|
| 1. 680213     | Arm, upper support                               |
| 2. 680214     | Pin, hinge                                       |
| 3. 680215     | Step bracket, left                               |
| 4. 680216     | Step bracket, right                              |
| 5. 680217     | Extrusion, step 20.5"                            |
| 6. 380069     | Safety tread                                     |
| 7. 382998     | Slider stud, Aluminum step                       |
| 8. 001145     | Bolt, shoulder, 3/8" thread                      |
| 9. 680220     | Panel  |
| 10. 680221    | Screw, flat head                                 |
| 11. 680222    | Bolt, socket head                                |
| 12. 680223    | Washer, bronze                                   |
| 13. 680224    | Washer, wave                                     |
| 14. 680225    | Washer, aluminum                                 |
| 15. 680226    | Pin, pivot                                       |
| 16. 350290    | Locking Nut, Prevailing Torque, Grade C, 3/8-16  |
| 17. 350147-25 | Nut, Nylock                                      |
| 18. 300005    | Washer, flat                                     |
| 19. 345016    | Screw, machine                                   |
| 20. 410523    | Outrigger, RH (Not included with step assembly.) |
| 21. 100298    | Casting, step release                            |
| 22. 0440032   | Step spring                                      |
| 23. 400455    | Outrigger, LH (Not included with step assembly.) |
| 24. 410200    | Extrusion, step, 20.0"                           |
| 25. 380075    | Bullet catch                                     |
| 26. 400004    | Hinge arm, upper                                 |
| 27. 400003    | Hinge arm, lower                                 |
| 28. 400005    | Arm, lower support                               |
| 116167-01     | Underbelly wrap, Sheet Aluminum, .23 x 30 x 144" |
| 454616        | Step support strip                               |
| 365001        | Tape, Foam, Double Sided, White                  |

# 2022 GLOBETROTTER CHASSIS

## Bumper End Caps

382289-01 Bumper end cap, Right hand  
382289-02 Bumper end cap, Left hand

## Stabilizing Jacks

401027-04 Kit, Power stabilizer jack  
401027-05 Stabilizer jack w/ext drive and motor  
401027-01 Stabilizer jack, Each  
401027-03 Footpad, Stabilizer jack  
401027-0300 Hardware kit for 401027-03, Includes 2 foot pads  
401027-02 Crank, Handle, Stabilizer jack  
401027-07 Channel kit, Stabilizer jack, 1 per

## Power Jack

401075-01 Jack-Electric-3500#  
401075-0100 Crank handle, Manual, 3500LB jack  
401075-0101 Level, 3500LB jack  
513838-30 Fuse - Green 30A Maxi Blade  
513839 Fuse Holder, Maxi Blade 20-80A

## Hitch Coupler

455653 Demco 2 5/16 12.5 K Coupler  
455653-100 Demco EZ-Latch 2 5/16 Coupler Repair Kit For 455653  
455654 Adjustable Coupler Lock

## Hose Carrier

602619-02 EZ hose carrier, 64", Black

## Underbelly

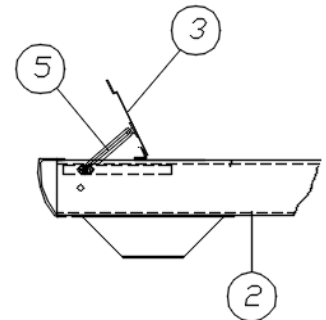
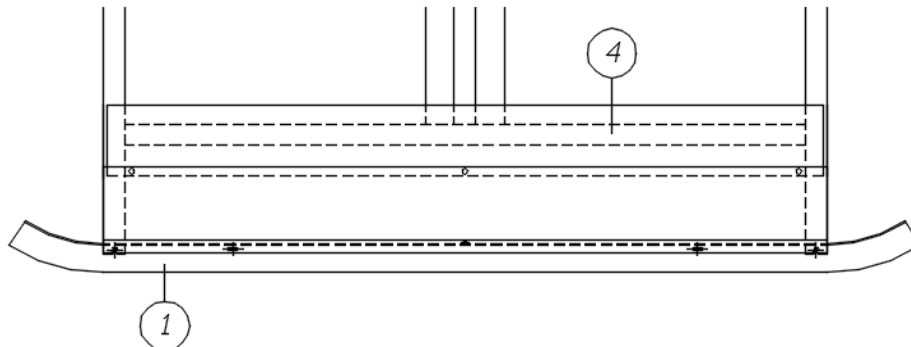
116167-01 Underbelly skin, Sheet, .023 x 30 x 144"  
116167-02 Underbelly skin, Sheet, .023 x 30 x 160"  
115684 Underbelly, Aluminum, .035 x 65.75

## Cross Car Electrical Raceway

453296 Crosscar electrical raceway

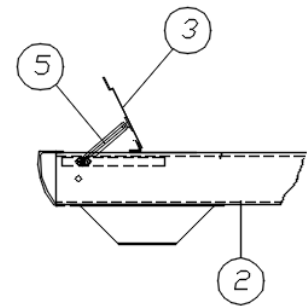
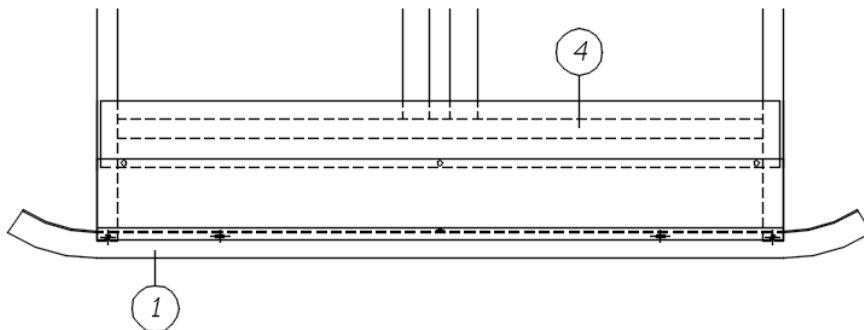
# 2022 GLOBETROTTER CHASSIS

## Bumper and Storage, NB



- |              |  |
|--------------|--|
| 1. 411055    | Bumper                                   |
| 2. 454314    | Bottom, Sewer hose compartment, 23FB     |
| 3. 454214-01 | Lid, Rear hose carrier, Black            |
| 4. 114849-06 | Aluminum sheet, .06" x 36" x 8', Black   |
| 5. 380024    | Arms support, RH                         |
| 380203-02    | Piano hinge                              |
| 382456       | Swell latch                              |
| 115601-02    | Insert-Bumper Storage Tread 60.82", 23FB |

## Bumper and Storage, Wide Body



- |              |  |
|--------------|--|
| 1. 411054    | Rear bumper                            |
| 2. 454147    | Bottom-Sewer Hose Compt                |
| 3. 921239-05 | Lid, Rear hose carrier, Black          |
| 4. 114849-06 | Aluminum sheet, .06" x 36" x 8', Black |
| 5. 380024    | Arms support, RH                       |
| 380203-02    | Piano hinge                            |
| 382456       | Swell latch                            |
| 112671-19    | Vinyl- Compartment Liner               |
| 382261       | Decal-Hole Cover 1.25X1.25 BLK         |

# 2022 GLOBETROTTER DECALS, EXTERIOR TRIM

## Decals and Medallions

386068-01	Medallion, 3" Logo, Airstream, Main door
386333	Nameplate, Globetrotter
386272	Decal, "AIRSTREAM", Black Chrome

## Belt Line Trim

114328	Extrusion, Belt line molding
201912-100	Molding, Belt line insert, Chrome
114417	Casting, Belt line closeout

## Rub Rail Trim

115546	Extrusion, Rub rail
201763-100	Insert, Rub rail, 1", Chrome
114466-01	Closeout, Casting, Rub rail, Angled, RH
114466-02	Closeout, Casting, Rub rail, Angled, LH
114465-01	Closeout, Casting, Rub rail, RH
114465-02	Closeout, Casting, Rub rail, LH

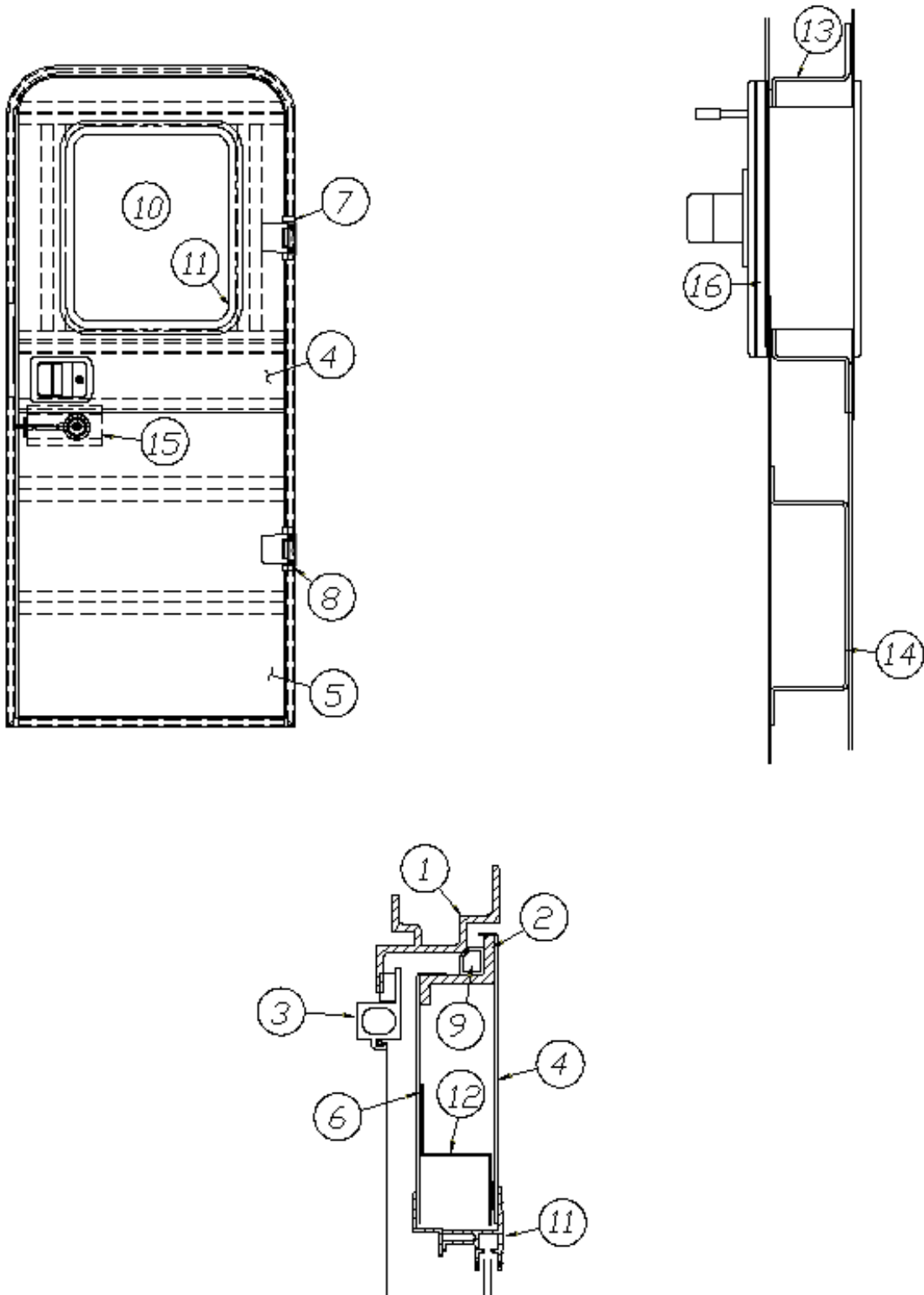
## Reflectors

500095	Reflector, Red rectangular
500096	Reflector, Amber
510446	Reflector, Red, Stick-on



# 2022 GLOBETROTTER DOORS, EXTERIOR

Main Door, RH Hinge, 23FB, 25FB, 27FB



Parts Listed on Next Page

# 2022 GLOBETROTTER DOORS, EXTERIOR

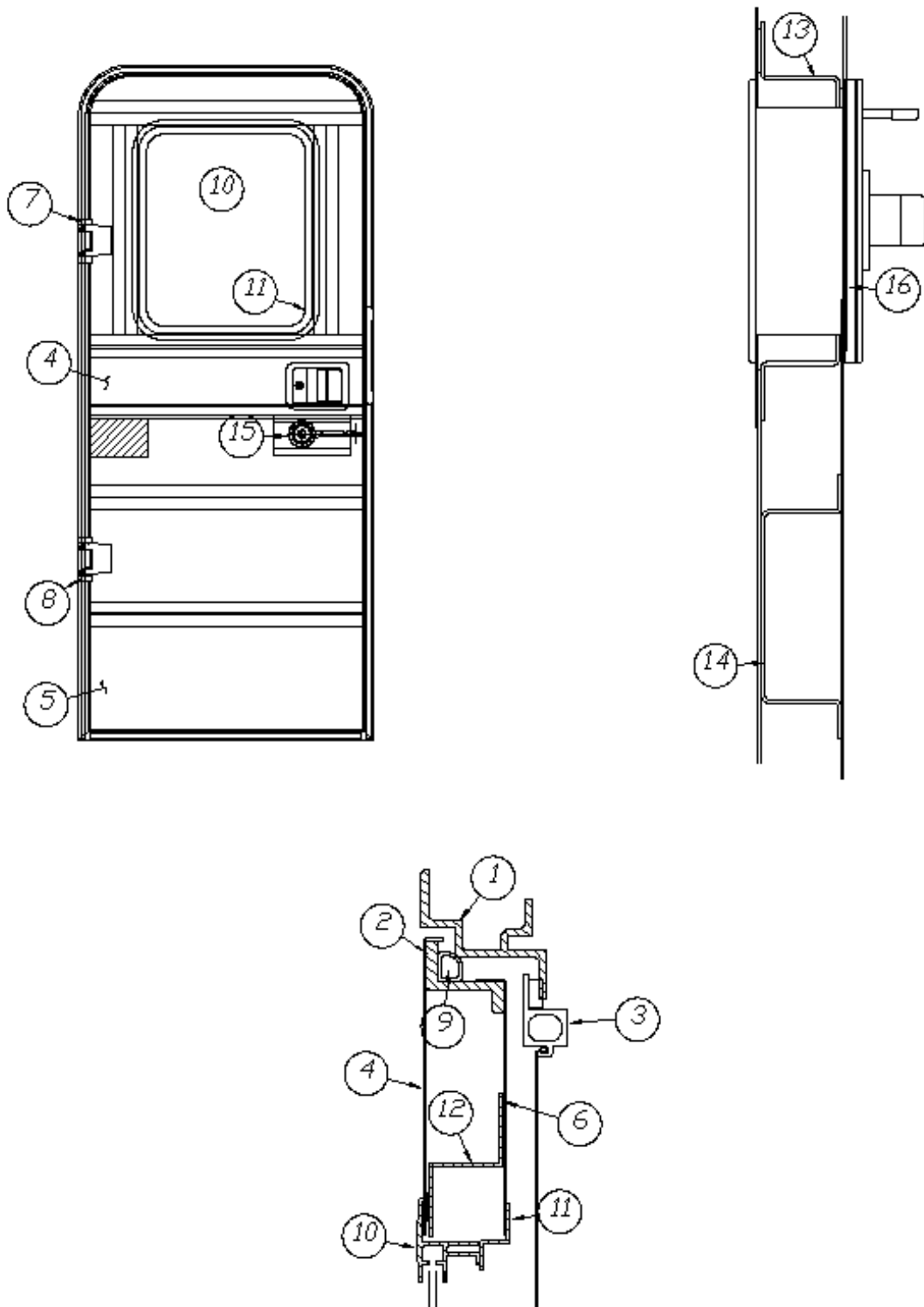
## Main Door, RH Hinge, 23FB, 25FB, 27FB

115207-05 Main Door, RH Hinge

1. 114652 Jamb, Main door, Pre formed
2. 114653-01 Frame, Main door, Pre-formed
3. 114654-01 Screen door, RH Hinge
4. 114448-03 Skin, Exterior, Upper main door
5. 114449-03 Skin, Exterior, Lower main door
6. 114475 Main door skin, Inner
7. 381552-02 Hinge, Main door, Upper
8. 381552-01 Hinge, Main door Lower
9. 365232 Seal, Main door
10. 371400-01 Window, Main door
11. 115208 Trim ring, Main door window
12. 114658 Inner door, Z-bar, Upper & lower
13. 114657 Hat section, Formed, Main door
14. 115413 Door hat section
15. 382069 Deadbolt, Round, Trimark
16. 203370 Spacer, Trimark door Latch
- 385595 Pocket strike, Main door
- 381326 Striker w/ Trimark deadbolt
- 345321-12 Screw, Flat head, Black
- 453851 Bolt, Trimark, Deadbolt
- 380290 Housing latch
- 380291 Latch
- 201056 Striker, Main door, Black plastic
- 203494 Base plate, Door latch
- 114363 Drip cap, Main door
- 114507-03 Trim, Main door
- 454898 Nut plate, Main door
- 365360 Gasket, Nut plate
- 382130 P-gasket w/tape backing
- 101171-02 Grab handle, Aluminum, Silver paint
- 382074 Gasket, Grab handle

# 2022 GLOBETROTTER DOORS, EXTERIOR

Main Door, LH Hinge, 30RB



Parts Listed on Next Page

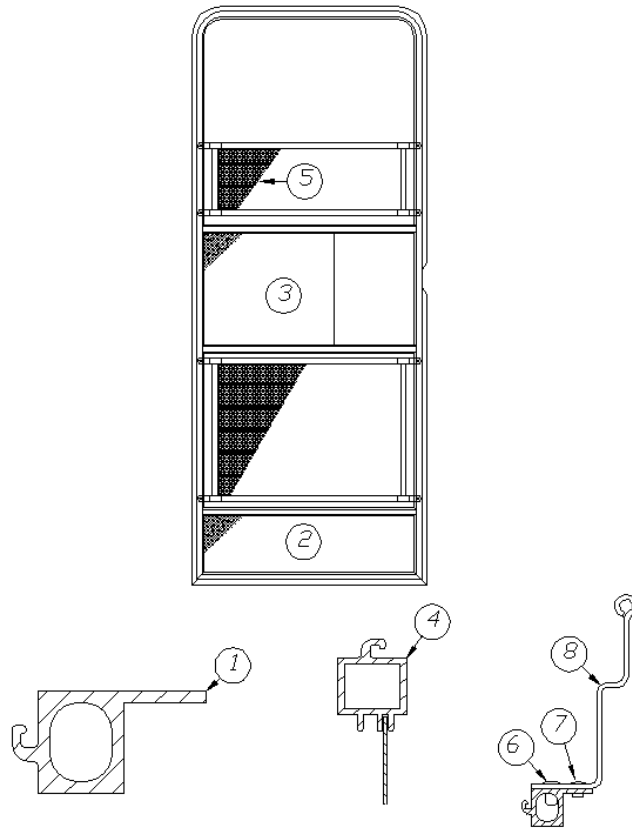
## 2022 GLOBETROTTER DOORS, EXTERIOR

### Main Door, LH Hinge, 30RB

115207	Main door, LH hinge, 30RB
1. 114652	Jamb, Main door, Pre-formed
2. 114653	Frame, Main door, Pre-formed
3. 114654	Screen door
4. 114448-03	Skin, Exterior, Upper main door
5. 114449-03	Skin, Exterior, Lower main door
6. 114475	Main door skin, Inner
7. 381552-03	Hinge, Main door, Upper
8. 381552-04	Hinge, Main door, Lower
9. 365232	Seal, Main door
10. 371400-01	Window, Main door
11. 115208	Trim ring, Main door window
12. 114658	Inner door, Z-bar, Upper & lower
13. 114657	Hat section, Formed, Main door
14. 115413	Hat section, Round dead bolt
15. 382069	Deadbolt, Round, Trimark
16. 203370	Spacer, Deadbolt
385595	Pocket strike, Main door
381326	Striker w/Trimark deadbolt
453851	Bolt, Trimark deadbolt
114363	Drip cap, Main door
380290	Housing latch
380291	Latch
201056	Striker, Main door, Black plastic
114507-03	Trim, Main door
454898	Nut plate, Main door
365360	Gasket, Nut plate
203494	Baseplate, Door latch
382130	P-gasket w/tape backing
101171-02	Grab handle, Aluminum, Silver paint
382074	Gasket, Grab handle

# 2022 GLOBETROTTER DOORS, EXTERIOR

## Screen Door



114654-01  
114654

Screen Door, RH Hinge  
Screen Door, LH Hinge

- |               |   |
|---------------|---|
| 1. 104782-186 | Extrusion, Frame                        |
| 2. 114648-01  | Kick panel                              |
| 3. 114561-01  | Panel, Slider                           |
| 4. 104784-78  | Extrusion, Screen door stiffener        |
| 5. 380079     | Screen, Gray                            |
| 6. 330153     | Rivet, 5/32, Mill finish                |
| 7. 325122     | Rivet, 5/32, Brazier head               |
| 8. 385577-02  | Tape, Clear, 1-7/8" wide                |
| 380004        | Handle with 8/32" x 1 screw             |
| 683946        | Bug seal, Edge of screen door close out |
| 203287-02     | Close out, Plastic                      |
| 115171-01     | Screen door guard, Top                  |
| 115171-02     | Screen door guard, Bottom               |
| 0404-0001     | Spline, Gray                            |
| 381454        | Screen door hold back latch, Bullet     |
| 381531-01     | Hinge, Upper                            |
| 381531-02     | Hinge, Lower                            |

## 2022 GLOBETROTTER DOORS, EXTERIOR

### Access Door, Battery

410551-06	Lid, Battery box, Black
381430	Lock, Twist, Straight cam
380203-01	Piano Hinge, 1/8", Battery box lid
381613	Plastisol cover, LP wing handle

### Access Door, Furnace

690664-05	Furnace exterior door and bezel, Painted Aluminum
-----------	---

### Access Door, Water Heater

690769-03	Water heater door, Grey
-----------	-------------------------

### Access Door, Exterior Shower

602326	Exterior shower
602326-100	Shower head with hose & mixer
602326-101	Exterior shower door
602326-102	Clip for shower head

### Access Door, Stabilizer Jack Switch Box

115640	Stabilizer jack switch box
--------	----------------------------

## 2022 GLOBETROTTER DOORS, EXTERIOR

### Access Door, Small, Side and Rear End

923467	Frame Assembly, Compartment Door, Small
923467-01	Compartment Door Assy-Small
116054	Extrusion-Compartment Door Frame
382650	Seal-Compartment Door
382230-03	Latch-Compression - Locking
382638-1	Hinge-Compartment Door
381065-10	10"" Cable Support
382737	Gasket-Compartment Door Closeout

### Access Door, Front and Side

923468	Frame Assembly, Compartment Door, Large
923468-01	Compartment Door-Large, Assy
116055-2	Frame- Compartment Door-Large
382650	Seal-Compartment Door
382230-03	Latch-Compression - Locking
382638-2	Hinge-Compartment Door, Large
381065-10	10"" Cable Support
382737	Gasket-Compartment Door Closeout

# 2022 GLOBETROTTER WINDOWS, SCREENS

## Windows and Screens

371346-02	Window, 48.97" flat Front & wrap
371346-101	Front window, Glass only
371324-02	Window, 30", Opening
371380	Window, 30" tall, Opening
371380-01	Window, 30", Egress
371436	Window 18" stacked
371435	Window, 30" stacked
371400-01	Window, Main door
371438	Window, Bath door
371437-02	Vista view window, 30"
372088-101	Panoramic window, RS front, CS rear
372089-101	Panoramic window, CS front, RS rear
371347-03	Screen, Square front window
372175-04	Screen, 30" opening window
372215-01	Screen, 30" tall, Opening window
372215-03	Screen, 30", Egress window
371349-03	Screen, Rear escape

## Vista View Window, 30"

371437-02	Vista view window, 30"
203961-04	Trim ring, 30" vista view
704199-02	Shade, 31.25 x 9.5, 1" rail, Ash Grey
922772-02	Backer, Vista view blind 30"

## Window Screen Assembly

683946	Seal, Fuzz Gray (screen)
380079	Screen, Gray
0404-0001	Spline, Gray

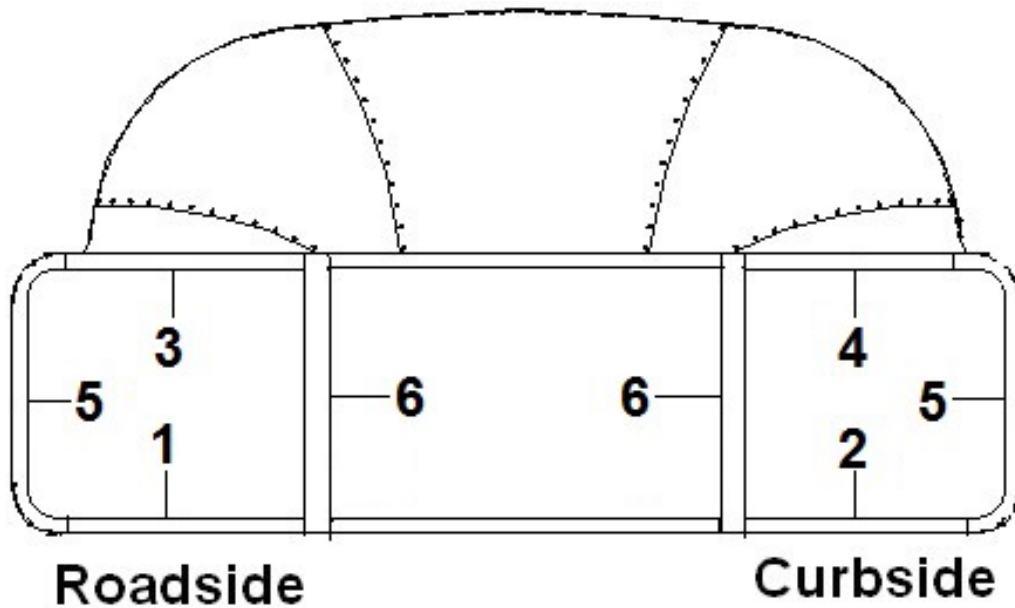


# 2022 GLOBETROTTER WINDOWS, SCREENS

## Window Trim

372269	Trim ring, Inner support, 30"
372270	Trim ring, Inner support, 18"
372267	Trim ring, 30" stack window, Clear
372268	Trim ring, 18" stack window, Clear
203225-01	Trim, Gray flexible

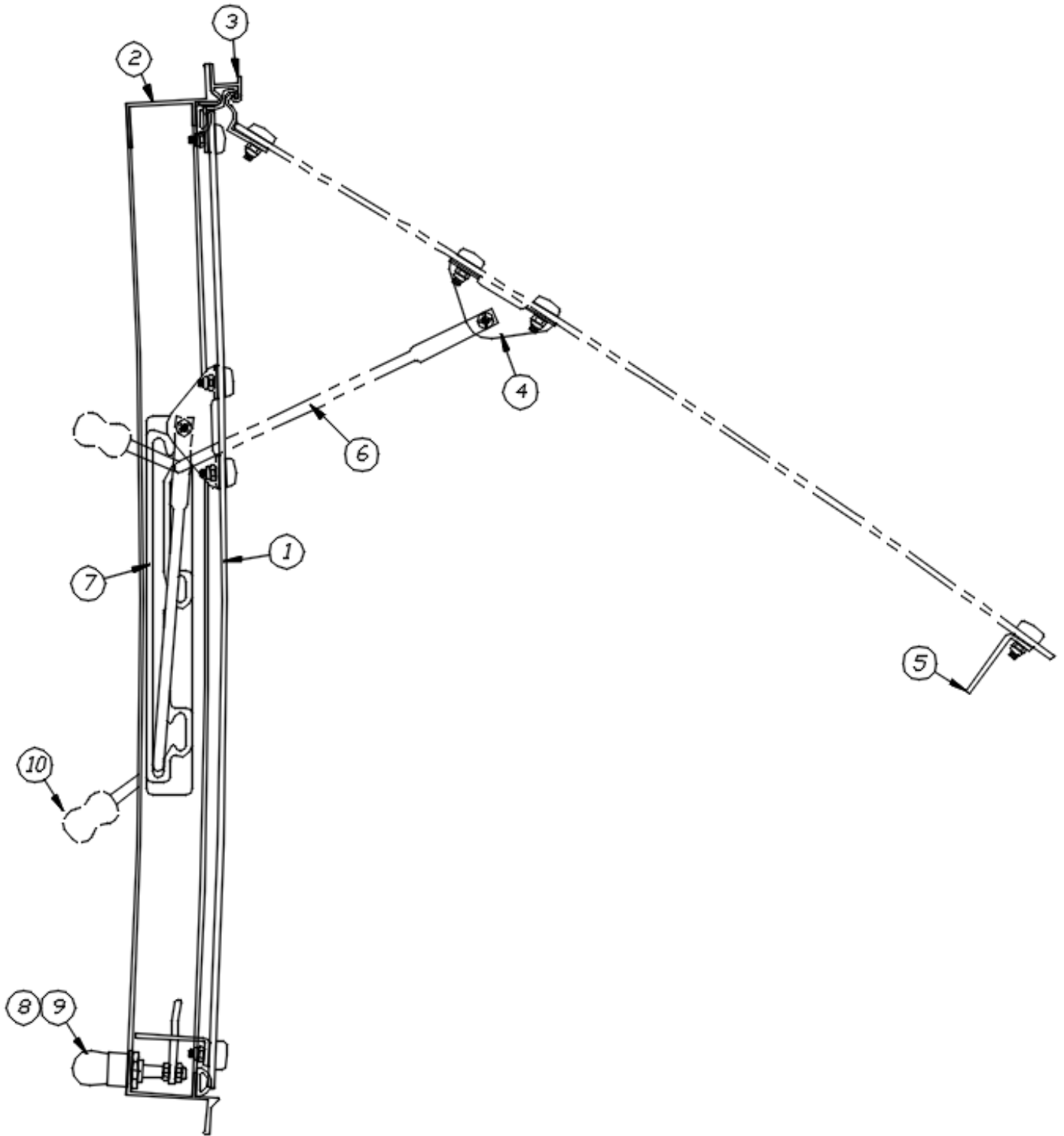
## Panoramic Window Trim



1. 201579-02	Trim ring, Lower, Gray
2. 201580-02	Trim ring, Lower, Gray
3. 201581-05	Trim ring, Upper, Gray
4. 201581-06	Trim ring, Upper, Gray
5. 201578-02	End cap, Trim ring Gray
6. 110900-01	Trim formed, Aluminum, RH/LH
203225-01	Trim lok, Gray .75"

# 2022 GLOBETROTTER WINDOWS, SCREENS

## Window Parts Diagram



Parts Listed on Next Page

## 2022 GLOBETROTTER WINDOWS, SCREENS

### Window Parts Diagram

371324-02	Window, 30", Opening
371380	Window, 30" tall, Opening
1. 195510-07	Glass assembly, 30" opening window
195510-93	Glass assembly, 30" tall window
2. 371447-02	Frame assembly, 30" window
371447-01	Frame assembly, 30" tall window
3. 371448-06	Extrusion, Window hinge eyebrow, Fixed, 30" window
371448-05	Extrusion, Window hinge eyebrow, Fixed, 30" window, Tall
4. 114478	Bracket, Window prop
5. 114479-01	Bracket, Window closer, RH
114479-02	Bracket, Window closer, LH
6. 382362	Opening arm, RH
382361	Opening arm, LH
7. 382360	Window guide, RH
382359	Window guide, LH
8. 382367-01	Latch assembly, Chrome
382367-02	Latch assembly, Egress, Red
9. 115780-01	Handle, Chrome
10. 380230-03	Knob, Window arm, Silver
380230-04	Knob, Window arm, Red
115776	Lock paw, Window latch
115770	Hinge stop
115778	Latch body, Zinc die cast
115779	Latch shaft
310030	Drive lock pin, 5/32 x 5/8

## 2022 GLOBETROTTER WINDOWS, ROCK GUARDS

### Window Stone Guards

685275-100	3 Piece Stone Guard, 23FB
685275-103	Stone Guard, Center, 23FB
685275-104	Hardware kit, for 3 piece Rock guard
110188-01	3-piece stone, Panoramic windows, Wide body
110102	Stone guard, Center piece only, Wide body
685275-101	CS wrap protector, Solar Grey, Stone guard
685275-102	RS wrap protector, Solar Grey, Stone guard
685358	Turn fast stud
685362	Retainer, Split ring
685359	Rubber receptacle
685361	Bracket for rubber receptacle
685361-01	Bracket for rubber receptacle
685363	Slip joint hinge, SS, CS per pair
683960	Arm support
683959	Arm support bracket
114749	Y-hinge
114750	J-hinge
381021-01	Latch, Draw flexible
114815-01	Extrusion, Frame, Aluminum
685354	Front window key, 90° angle
685378-01	Rubber spline, 1/4"
685351	Rubber frame, Black
290812-01	Plexi-glass sheet, 1/8" x 28" x 84"
685355	Slip joint, SS hinge
101401	Extrusion, Door latch housing
381688	Bump-on

# 2022 GLOBETROTTER AWNINGS

## Window Awnings

704826-29	Awning - 47" Tillman Shale, 23FB
704826-30	Awning - 14'2.25" Tillman Shale, 23FB
704826-31	Awning - 16'4.5" Tillman Shale, 25FB
704826-32	Awning - 18'6.25" Tillman Shale, 27FB
704826-33	Awning - 52.63" W/V HDW Tillman Shale, 25FB, 27FB
704826-34	Awning - 52.63" Tillman Shale, 30RB
704826-35	Awning - 15'11.5" Tillman Shale, 30RB
704826-36	Awning - 49" Tillman Shale, 30RB

## Power Awnings

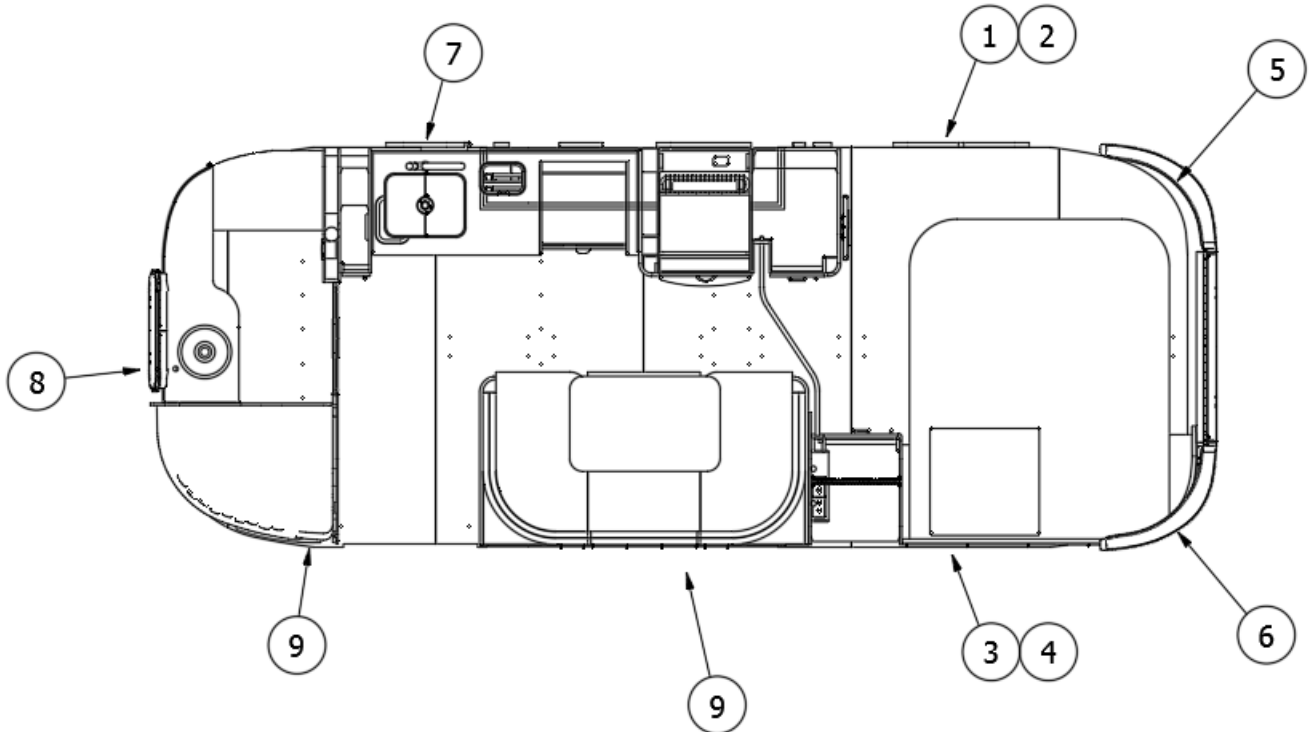
704825-10	Awning-Power 14'3", 23FB
704825-11	Power awning 16'4.25", 25FB
704825-12	Power awning, 18' 5.25", 27FB
704825-13	Awning-Power 21'4.25" #4836, 30RB

## Power Awnings Hardware

704825-01	Hardware kit, 65" support arm
365369	Gasket, Power awning
365369-01	Gasket, Power awning bracket
365369-02	Gasket, Power awning main support
330150	Rivet, 3/16 x 1.145"
382202	Grommet, Liquid tight
382199	Plug, 1" ID hole, Nickel
382199-03	Hole cover, 2"
454931-01	Backer, 24"
454931-04	Backer, 32.5"
385577	Tape, Clear, Wear strip, 3.5" wide
512918-03	LED flex light strip

# 2022 GLOBETROTTER DRAPES AND SHADES

## Drapes and Shades, 23FB



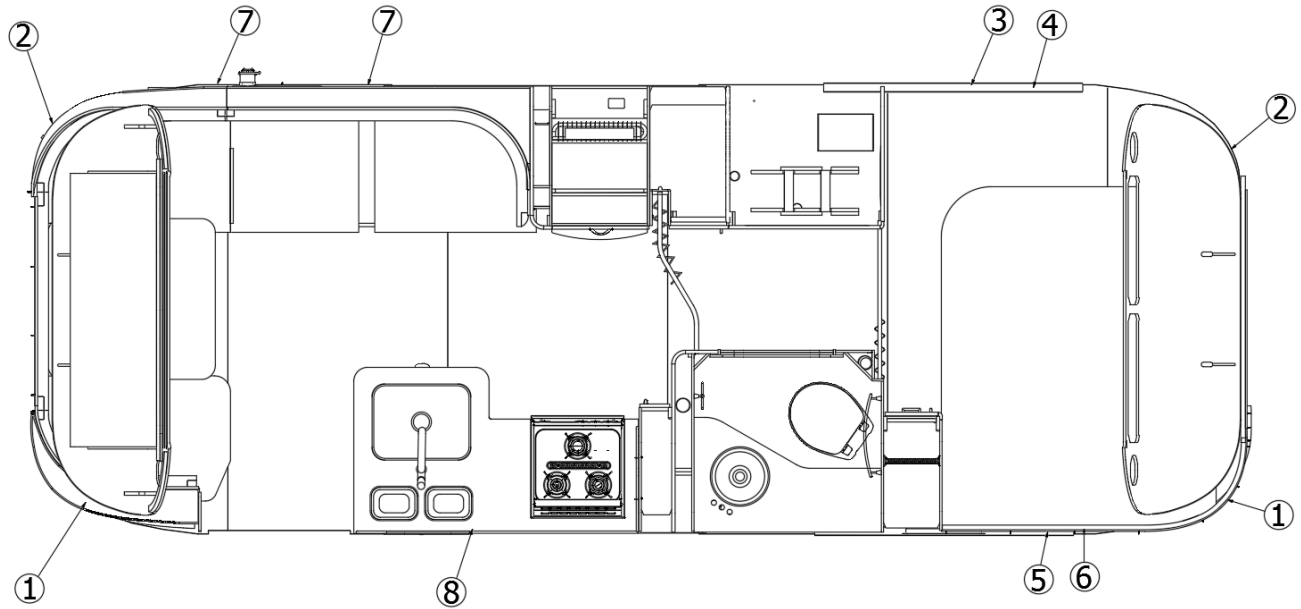
112976

Window Coverings - Install 23F

- |    |           |                                     |
|----|-----------|-------------------------------------|
| 1. | 998240-03 | Panel-Drape LH Side Pleated         |
| 2. | 998240-04 | Panel- Drape RH Pleated Side        |
| 3. | 998240-05 | Panels - Drapery LH Side            |
| 4. | 998240-06 | Panel-Drape RH Side                 |
| 5. | 998240-07 | Panel-Front Wrap RS Pleated 23fbglo |
| 6. | 998240-08 | Panel-Front Wrap Pleated CS 23fbglo |
| 7. | 704699-03 | Shade, Oceanair, 19 x 24"           |
| 8. | 703700-03 | Shade 25.25 X 34I Oceanair Window   |
| 9. | 703700-04 | Shade 29.75" X 34"L Oceanair Window |
|    | 101217    | Extrusion Curtain Track             |
|    | 101225    | Extrusion Alum Curtain Track Attach |

# 2022 GLOBETROTTER DRAPES AND SHADES

## Drapes and Shades, 25FB



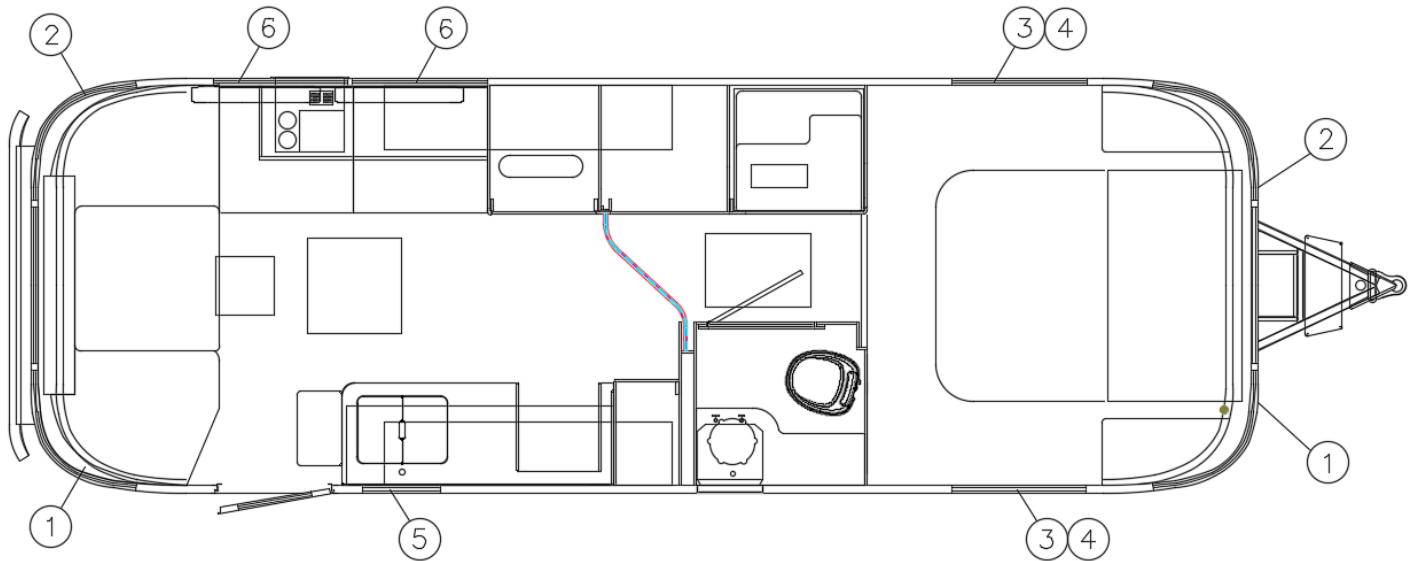
112796

Window Coverings Install, 25FB

- |    |           |  |
|----|-----------|--|
| 1. | 998240-01 | Panel, Drape CS Front Wrap               |
| 2. | 998240-02 | Panel, Drape RS Front Wrap               |
| 3. | 998240-03 | Panel, Drape LH Side Pleated             |
| 4. | 998240-04 | Panel, Drape RH Pleated Side             |
| 5. | 998240-05 | Panels, Drapery LH Side                  |
| 6. | 998240-06 | Panel, Drape RH Side                     |
| 7. | 703700-04 | Shade 29.75" X 34"L Oceanair Window Rail |
| 8. | 703700-05 | Shade 29.75" X 34"L Oceanair Window Rail |
|    | 101217    | Extrusion Curtain Track                  |
|    | 101225    | Extrusion Alum Curtain Track Attach      |
|    | 704199-02 | Shade-Pull VV 31.25 X 9.5 ASH            |

# 2022 GLOBETROTTER DRAPES AND SHADES

## Drapes and Shades, 27FB



115914

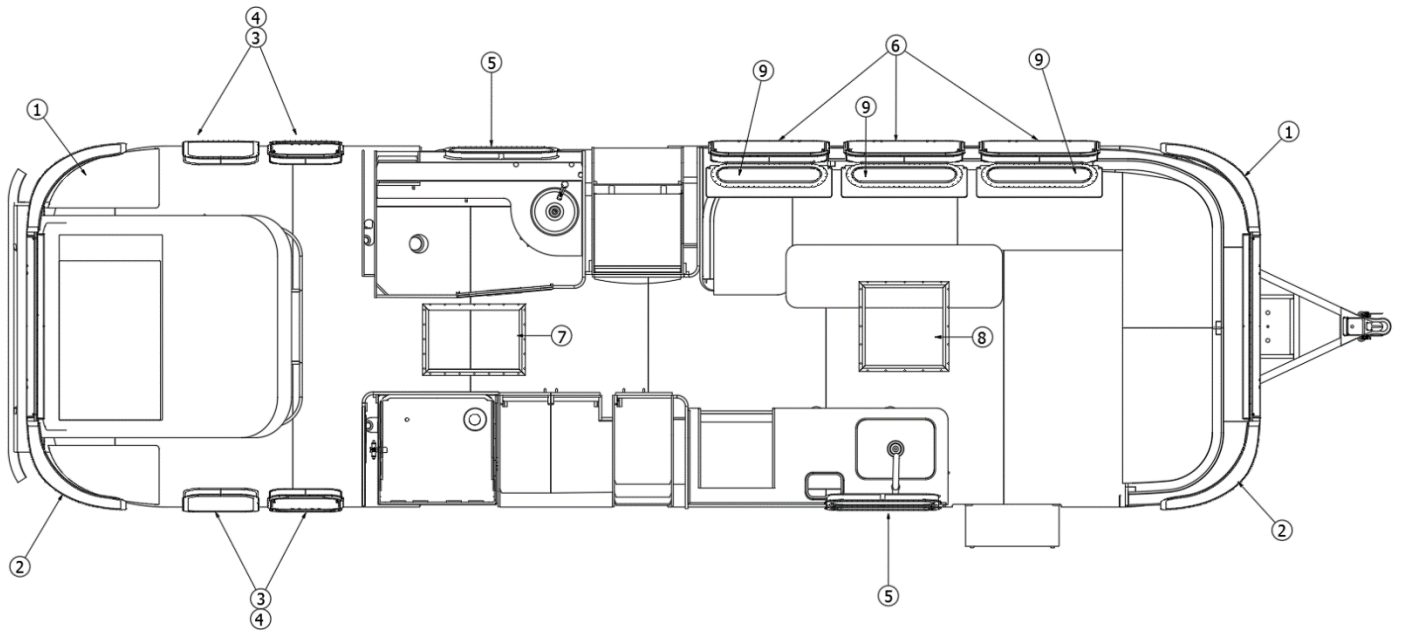
### Window Coverings Install

- |              |   |
|--------------|---|
| 1. 998240-01 | Pleated drape, Front/rear wrap, CS                  |
| 2. 998240-02 | Pleated drape, Front/rear wrap, RS                  |
| 3. 998240-03 | Pleated drape, LH side                              |
| 4. 998240-04 | Pleated drape, RH side                              |
| 5. 703700-05 | Shade, Window rail, 19 x 34, Oceanair               |
| 6. 703700-04 | Shade, Window rail, 29.75 x 34, Oceanair            |
| 704199-02    | Shade, 31.25 x 9.5, 1" rail, Ash Grey               |
| 704120-01    | Shade, Skylight, 14.5 x 22, Grey                    |
| 704120-02    | Shade, Skylight, 19.25 x 20, Grey                   |
| 704546       | Shade-Fantastic Fan 13.25 X 13.25 Silver W/Blackout |
| 203490-04    | Trim Ring-30"V.V.Interior Silver                    |



# 2022 GLOBETROTTER DRAPES AND SHADES

## Drapes and Shades, 30RB



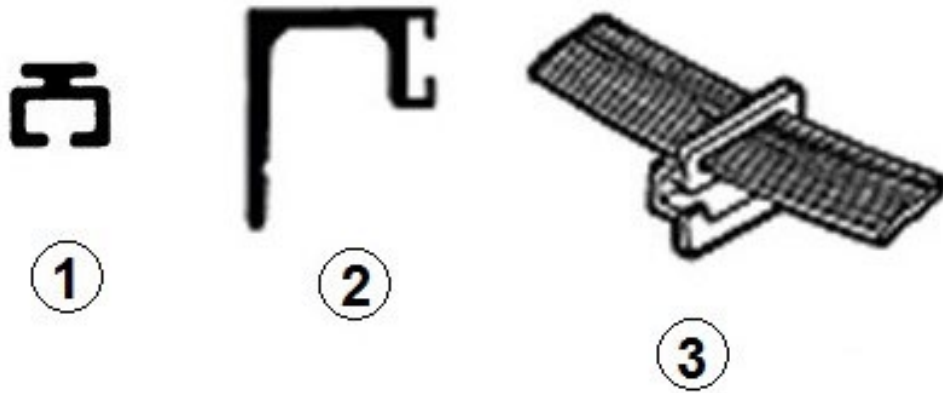
113186

Window Coverings Install 30GLO

- |    |           |  |
|----|-----------|--|
| 1. | 998240-01 | Panel-Drape RS Front Wrap                            |
| 2. | 998240-02 | Panel-Drape CS Front Wrap                            |
| 3. | 998240-03 | Panel-Drape LH Side Pleated                          |
| 4. | 998240-04 | Panel- Drape RH Pleated Side                         |
| 5. | 703700-02 | Shade 32.5 X 24l Oceanair Window Rail RSH-826/610-SA |
| 6. | 703700-04 | Shade 29.75" X 34"L Oceanair Window Rail             |
| 7. | 704120-01 | Shade-Skylight Grey 14.5X22                          |
| 8. | 704120-02 | Shade-Skylight Grey 19.25X20                         |
| 9. | 704199-02 | Shade-Pull 31.25 X 9.5 Ash Grey                      |
|    | 101217    | Extrusion Curtain Track                              |
|    | 101225    | Extr. Alum Curtain Track Attach                      |

# 2022 GLOBETROTTER DRAPES AND SHADES

## Drapes and Shades Hardware



- |           |  |
|-----------|--|
| 1. 101217 | Track, Curtain                         |
| 2. 101225 | Bracket, Curtain stand off             |
| 3. 700045 | Glides w/elastic "G" type              |
| 703903    | Fabric, Drapery, Wyeth Off White, A2GO |
| 704198    | Fabric lining blackout, Ivory White    |
| 700005    | Fastener, Cap                          |
| 700006    | Fastener, Socket                       |
| 700020    | Pile Velcro                            |
| 700021    | Hook, Velcro, White                    |

# 2022 GLOBETROTTER

## ELECTRICAL, 110 VOLT

### Shoreline Cord and Inlet

513797	Inlet, 30A, Smartplug
513809	Cord, 30A, Smartplug
513581	Inlet-50 Amp-Smartplug, 50 amp
513582	Cord-50 Amp-Smartplug, 50 amp

### Smart Plug

513797	30 amp Grey Plastic Inlet
513809	30 amp cord 30'
513581	50 amp Stainless inlet
513582	50 amp cord 30'

### Power Converter

513286	Converter/charger used with 50A service, Deckmount
514004	Distribution center, 30A
514005	Distribution center, 50A

### Breakers

510564-04	Breaker, 20-20, Siemans, CSA
510564-09	Breaker, 15 Amp, Bryant
510564-05	Breaker, Type BRD, BD 30-20
510564-06	Breaker, Type BR, 20 GFI

### Generator Prep

513645	Power inlet, Male, 30A, 125V, Gray, Marinco
385062	Decal, 110-125 Voltage, A/C
115155-01	Gen prep remote w/o switch

### Inverter

513807	Inverter, 1000W PS, Progressive Dynamics
513807-100	Remote Switch For 513807 PD120
513807-101	Remote Display For Invertor #513807
513807-102	Remote Cables For Invertor 513807
512660-100	Terminal Fuse-100a Yellow, CBBF-100
513161-01	Fuse block, terminal, 100A
511023	Tester, Circuit Analyzer, 3 Wire

# 2022 GLOBETROTTER

## ELECTRICAL, 110 VOLT

### Junction Boxes

511283	Box, Handy, Metal 2 x 4
116238	Microwave Hat
454490	Raceway box, electrical

### Receptacles

500563-03	Receptacle, Self-contained, White
500563-04	Wall plate w/screws for 500563-03, White
512562	Receptacle gasket, Neoprene w/adhesive
511287	Receptacle, 15 amp, Single
512741	Water proof cover w/gasket, Gray
512481-01	Receptacle, 20 Amp, Single, White
512481-02	Receptacle, 20 Amp, Single, Brown
512481-03	Decorator cover plate w/screws, Brown
511534	Dual coax plate, White
512369	Receptacle, 15A SLG, White
512370	Wall plate, 1 gang, Single receptacle
512398	Power supply, Wall plate, White
511814-01	Receptacle, Duplex, Self-contained, Gray
511814-02	Plate, Decorator, 1 gang, Gray
510888-06	Spacer, Receptacle, GFI, White
510888-07	Receptacle cover, White
511815-01	Receptacle, Duplex, Black
511815-02	Decorator plate, 1 gang, Black
511912	Receptacle plate,
512642-06	Receptacle, Single, 15 amp, Flush mounted, Black

# 2022 GLOBETROTTER

## ELECTRICAL, 12 VOLT

### Battery and Battery Box

511828	Battery, 12V deep cycle, AGM (when solar equipped)
410551-10	Lid, Battery box
500836-02	Positive battery cable, 72"
500837	Negative battery cable
203415	Battery tray
512049-01	Cable, Red jumper Bat. 6GA 7.75"
512049-02	Cable, Black jumper Bat. 6GA 7.75"

### Battery Disconnect

513996-01	Switch, Remote power disconnect
513996-03	Cable, Battery disconnect

### Airstream Power Plus

513862	Lithium battery, 12V, Battle Born
513889	Converter, Li charge profile, 30 Amp, WFCO
513890	Converter, Li charge profile, 50 Amp, WFCO
386433	Label, Lithium battery notice

### 7-Way Cable and Breakaway Switch

513905	Tow Cable. 7 Way, Siliconized
0300027	Breakaway switch, Bargman
454526	Bracket, Breakaway switch

### Tank Monitor System

512566	Monitor, Tank system kit, Seelevel
512566-01	Flush mount monitor panel only
512566-02	Sender pad
512951-03	Harness- 12' Seelevel Pad

### Solar Panel System

513475-08	Charge controller display, Victron
513475-01	Charge controller, BlueSolar
513047-01	Solar panel, 90 watt, Zamp
513047-02	Solar panel mounting feet, Zamp
513586	Triple port solar cap
513033	Bracket, Portable solar panel port
365409	Gasket, Solar panel bracket
340305	Solar panel wire clip
340308	Clip, Solar panel

# 2022 GLOBETROTTER

## ELECTRICAL, 12 VOLT

### Breakers

510947-20	Breaker, 12V DC, Type II
510947-30	Breaker, 12V DC, Type II
510947-50	Breaker, 12V DC, Type II
510946-04	Bracket, 4-Position, Circuit breaker, 12V

### Fuses

512660-100	Terminal Fuse-100a Yellow, CBBF-100
500773-3	Fuse, 3A
500773-15	Fuse, 15A
500773-20	Fuse, 20A
500773-25	Fuse, 25A
500883-01	Fuse, 1A

### Switches and USB Ports

512709	Slide dimmer switch, 12V, Black
511977	Switch, SPDT, Black
511979	Switch, 3 gang, Black
511999	Switch, 2 gang, Black
510658	Switch w/weather proof boot
513311	Switch, Stabilizer jack
513259	Switch, Magnetic
513305	Switch, Multi-hitch power jack
512688	Switch, Rocker, Change-over, Glossy Chrome
512691-01	Switch frame, 1-gang, Glossy Chrome
512691-02	Switch frame, 2-gang, Glossy Chrome
512221	Switch, 300V, 10A
513331	USB power inlet, Black
513133-01	USB, Front mount, Dual, Non-lighted, Black
513753	Socket-12v Black W/Black Plate
512917	Switch-Slide Dimmer Dual 12V#A

### Power Awning Cables

512649-02	Ethernet patch cable, Cat5e, 2'
-----------	---------------------------------

# 2022 GLOBETROTTER

## ELECTRICAL, 12 VOLT

### Wireless Backup Camera

512946-01	Digital wireless observation kit
512946-02	Voyager digital autopair camera
512946-102	Voyager 5.6" LCD monitor
512946-100	Antenna
365392	Gasket, Backup camera
382225	Grommet, .5", Black

### Interior Lights

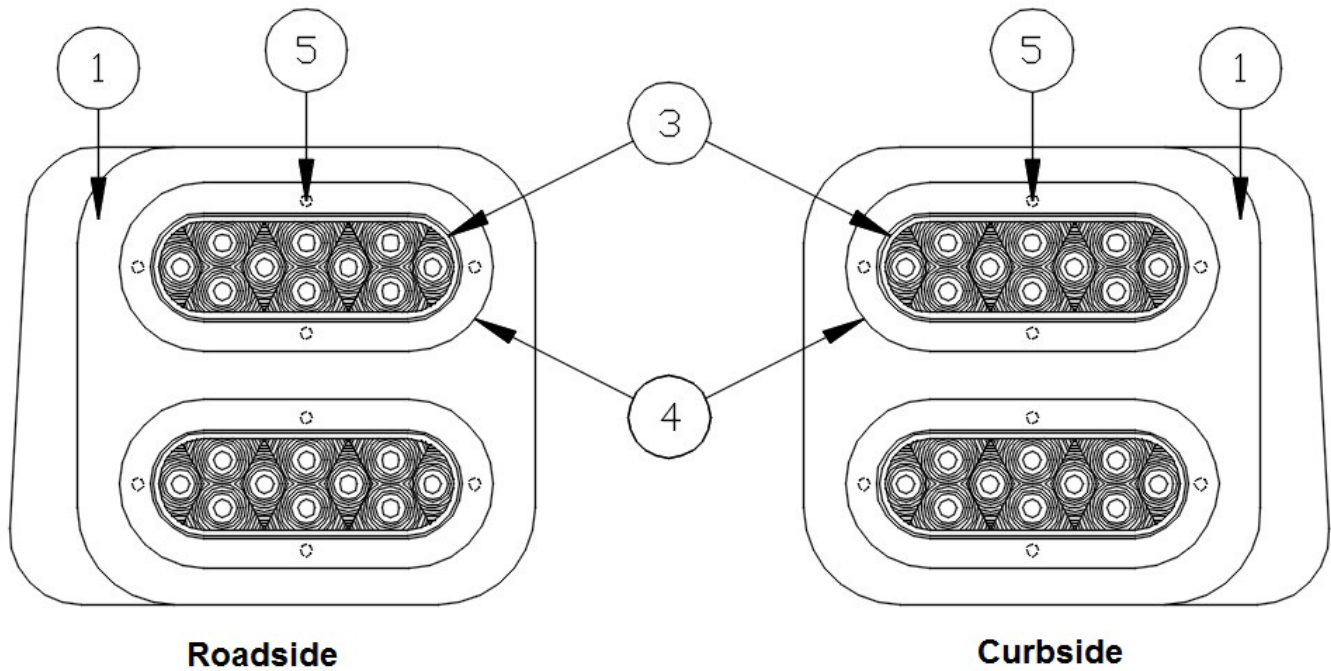
512709	Switch, Slide dimmer
512917	Switch, Slide dimmer, dual
513130	LED reading light, Brushed Nickel
513136	LED overhead light w/frosted lens, Brushed Nickel
513132	LED spot light w/frosted lens, Brushed Nickel
513961	LED light, Shower
513707	LED light, Wardrobe
513129	LED reading light, Switched
513297-19	Kit, Luna light and track, 19"
513333-60	Kit, Luna light and plastic track
513332-40	Kit, Luna light and aluminum track
513332-33	Kit, Luna Light & 45 Degree Aluminum Track 2'9"
513333-54	Kit, Luna Light & Plastic Track 4'6"

### Exterior Lights

512409	License plate holder w/LED light
512860	LED clearance light, Red
512860-01	Clearance light, Flat Chrome base
512928	Curved bezel w/gasket, Required for 3 top lights
512928-01	Curved bezel
512859	LED clearance light, Amber
512859-01	Clearance light, Flat Chrome base
382389	Clearance light gasket
512533	Auxiliary light, LED, Surface mount
994165	Entrance light above main door
101323	Casting, Step light, Polished Aluminum
201185	Lens, Step light
512490	Bulb, 25 Diode, Entry light
512918-03	LED flex light strip
512918-02	Flex Strip-LED Tape 460 CM #TS

# 2022 GLOBETROTTER ELECTRICAL, 12 VOLT

## Taillight Assembly



952929-01  
952929-02

Taillight Assembly, LED, Roadside  
Taillight Assembly, LED, Curbside

1. 511664-01  
2. 511664-02  
3. 512425  
4. 512425-02  
5. 345473  
512425-03

Taillight casting, Roadside  
Taillight casting, Curbside  
6" oval LED taillight kit\*  
Trim ring  
Screw, #6 x 3/4", Self-drilling  
Gasket, Taillight

\*512425 Taillight Kit Includes Taillight, Trim Ring & Gasket.



## 2022 GLOBETROTTER ENTERTAINMENT

### Audio

513618	Radio-Fusion Apollo
513618-02	Harness, Power, Speaker
513710-01	Tuner, Sirius XM
513710-02	Antenna, Sirius XM
511703	Patch cord, Male-male, 2-Way, 20'
513955	Speaker, Flush mount, JL Audio
513654	Subwoofer - JL Audio
513216-04	RCA cables, Shielded, 18'
513216-05	RCA cables, Shielded, 27'

### Video

513594-03	Antenna-TV, King - White-Omni Pro Digital OTA W/AM
116089	Backer plate, Antenna
382653	Gasket Plug - Cable Hole - Antenna
382652	Gasket - King Omni Pro Antenna
512398	Power supply, Wall plate, Amplifier w/2 TV hook-up
510623	Connector, Coax, Male-male
510616	"F" connector, Coax, 75 OHM
511827	Wall plate, Flush mount coax, White
513685	Dual inlet, TV/satellite, Gray
511534	Dual coax plate, White
512406	RG6 hex compression connector, (Satellite Prewire)
512407	RG6 coax cable
512366-25	HDMI cable, 25'
513302	Wall plate w/HDMI & coax connections
513444	Wall plate, HDMI
512499-01	Cable-Mini Coax 64"
513721-01	Assy-CAT6 System

## 2022 GLOBETROTTER ENTERTAINMENT

### Blu-Ray Player

513697	Blu-Ray Disc/DVD Player Sony
512499	Mini coax cable, 48"
512499-01	Mini coax cable, 64"
512366-35	HDMI cable, Male-male, 35'
512561	HDMI right angle adapter, Right side

### Flat Screen TV, 28"

690742	TV-LED 28" Class 720P
512457	Articulating Arm
115922	TV bracket stand-off
512499	Cable, Mini coax, 48"
382184	Sleeve, .75", Flexo braided split

### Bedroom TV, 24"

690741	TV-LED 24" Class 1080P
512457	Articulating Arm
512499	Cable, Mini coax, 48"
512501	Splitter, HDMI pass through
340300	Clip, Cable holder
382184	Sleeve, Flexo braided split

# 2022 GLOBETROTTER FLOOR COVERINGS

## Floor Coverings

704734	Flooring - Seagrass Greystone L. Grey & B. Blue
704735	Flooring - Grass Cloth 11, D. Slate & C. Cream
704942	Entrance mat, w/Airstream logo
203594-02	Floor trim, Ash Grey
203594-03	Trim-Floor UN1275 Magnolia
203727	Foil, Single bubble flex
360404	Adhesive - Flooring Weatherseal Hybrid

## Furniture and Cushion Batting

701538-01	Carpet, Econolier w/PSA backing
-----------	---------------------------------

# 2022 GLOBETROTTER FURNITURE, INTERIOR DOORS

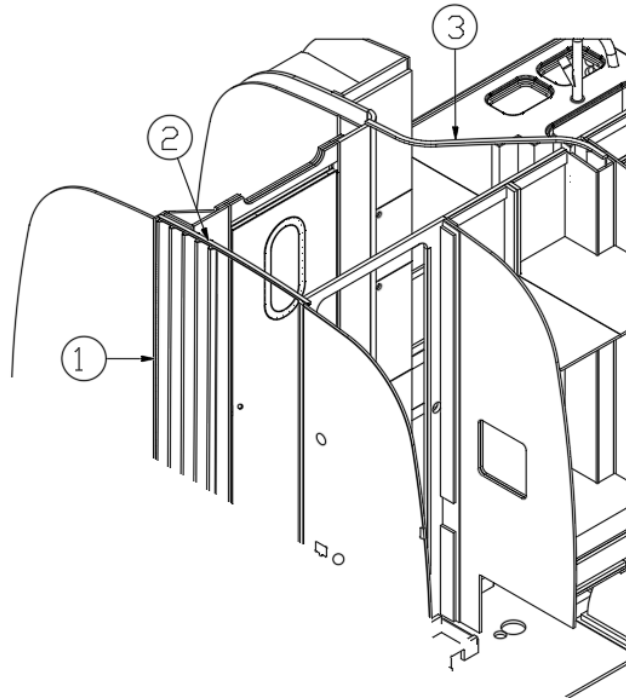
## Door, Roof Lockers

802245-0040	Curved door, Black Walnut
802245-0041	Curved door, Natural Elm
802356-0040	Door-Overhead Curved, Black Walnut
802356-0041	Door-Overhead Curved, Natural Elm
801788-0140	Door-Plyform 9.18x28.25 Formica Blk Walnut
801788-0141	Door Plyform 9.18 X 28.25 Decotone-Natl Elm

## Door, Shower

703989-02	Shower Door 22 x 65 Reeded Glass, 23FB
703989-01	Shower door, Reeded glass, 25FB, 27FB, 30RB

## Dividing Curtain



1. 704637	Dividing Curtain, 60" x 75 1/2", 23FB
704489	Dividing curtain w/tieback, 41 x 77.5, 25FB, 27FB, 30RB
2. 382295	Track, Plastic, Grey
3. 382661	Foldette track, Formed, 23FB, 30RB
382635	Foldette track, Formed, 25FB
382750-01	Foldette track, Formed, 27FB
381581	Strap, Clear plastic
700005	Fastener, Cap
700006	Fastener, Socket

# 2022 GLOBETROTTER

## FURNITURE, DRAWER BOXES, SLIDES, AND MIRRORS

### Drawer Boxes

968725	Drawer box, 22.5 x 18.5"
969704-04	Drawer box, 2.75 x 12 x 16.38"
969705-01	Drawer box, 4 x 12 x 10.57"
969705-02	Drawer box, 4 x 15 x 18.5"
969705-03	Drawer box, 4 x 12 x 16.81"
969705-05	Drawer box, 4 x 15 x 12.13"
969705-06	Drawer box, 4 x 16.38 x 15.38"
969707-02	Drawer box, 6 x 15 x 12.25"
969707-05	Drawer box, 6 x 15 x 16.81"
969707-06	Drawer box, 6 x 18 x 15.5"
969708-02	Drawer box, 8 x 21 x 15.82"
969708-07	Drawer box, 8 x 18 x 22.25"

### Drawer Slides

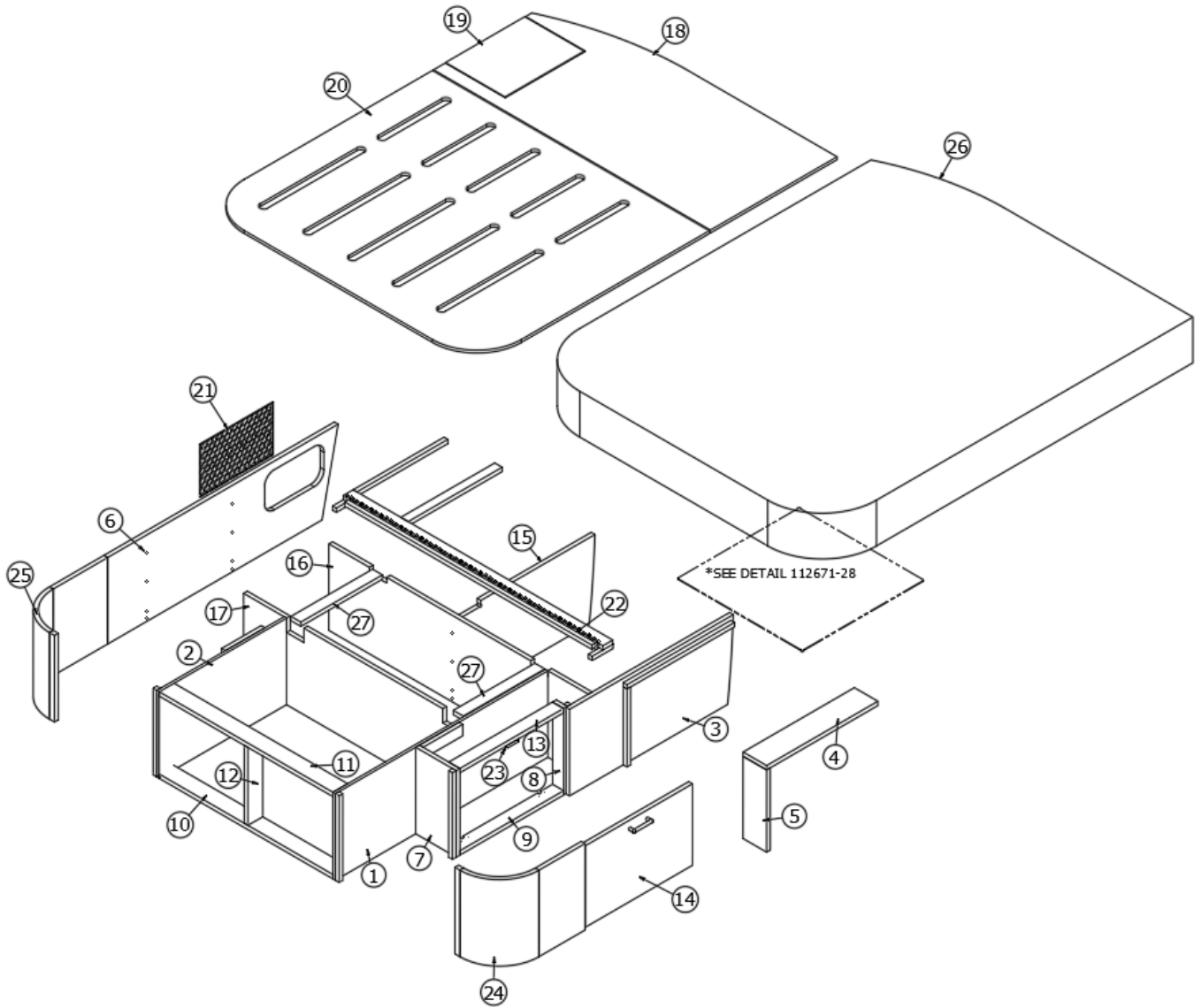
381192	Drawer slide, 18"
382807-06	Drawer slide, Self-close, 12"
382807-07	Drawer slide, Self-close, 15"
382807-08	Drawer slide, Self-close, 18"
382807-09	Drawer slide, Self-close, 21"
381944-01	Slide, 18", Per set
382203-04	Slide, Self-close, 18"
382203-06	Front fixing clips (Pr.)

### Mirrors

372203-33	Mirror, Safety glass, 14 x 40
203984	Jet mirror, Roof lockers
385940-02	Mirror pull, Chrome

# 2022 GLOBETROTTER FURNITURE, BEDROOM

Bed, Queen, 23FB



Parts Listed on Next Page

## 2022 GLOBETROTTER FURNITURE, BEDROOM

### Bed, Queen, 23FB

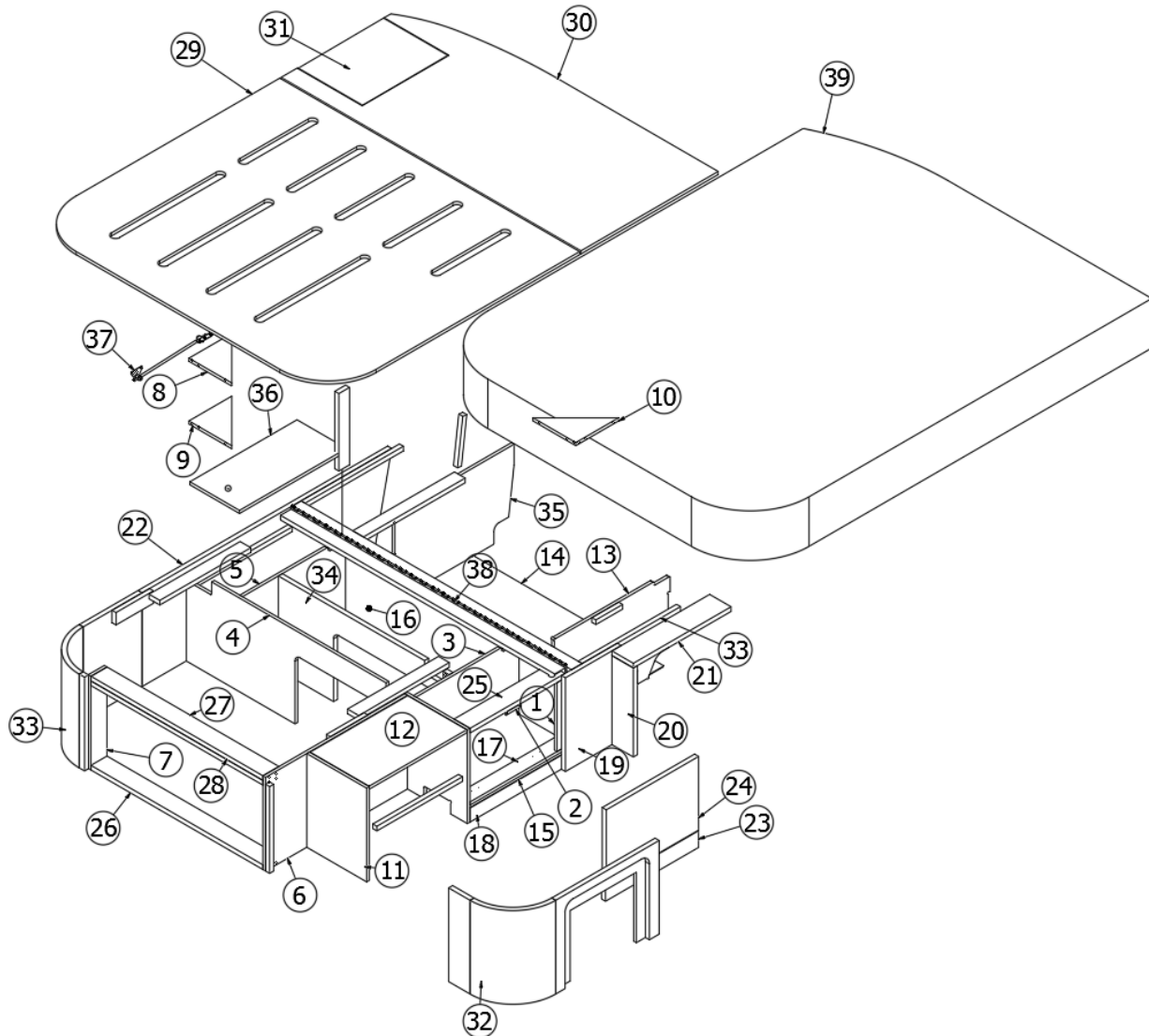
969049

Bed Base Assembly

- |     |                 |  |
|-----|-----------------|--|
| 1.  | 969049&000112CC | Pre Laminate-15.13 X 43.00               |
| 2.  | 969049&000212CC | Pre Laminate-15.13 X 25.75               |
| 3.  | 969049&000318BC | Pre Laminate-33.11 X 15.13               |
| 4.  | 969049&000418BC | Pre Laminate- 0.75 X 4.75 X 22.50        |
| 5.  | 969049&000518BC | Pre Laminate- 0.75 X 4.75 X 14.38        |
| 6.  | 969049&000618BC | Pre Laminate- 0.75 X 46.62 X 15.13       |
| 7.  | 969049&000718CC | Pre Laminate-8.19 X 15.13                |
| 8.  | 969049&000818CC | Pre Laminate-2.25 X 15.13                |
| 9.  | 969049&000918CC | Pre Laminate-21.00 X 2.25                |
| 10. | 969049&001018CC | Pre Laminate-3.00 X 35.13                |
| 11. | 969049&001118CC | Pre Laminate-3.00 X 35.13                |
| 12. | 969049&001218CC | Pre Laminate-3.00 X 13.63                |
| 13. | 969049&001318CC | Pre Laminate-21.00 X 2.25                |
| 14. | 969049&001418BC | Pre Laminate- 0.75 X 21.63 X 14.25       |
| 15. | 969049&001518CC | Pre Laminate-27.80 X 15.13               |
| 16. | 969049&001618CC | Pre Laminate-15.13 X 52.50               |
| 17. | 969049&001718CC | Pre Laminate-15.13 X 43.81               |
| 18. | 969049&001812CC | Pre Laminate- 0.50 X 56.00 X 25.63       |
| 19. | 969049&001912CC | Pre Laminate- 0.50 X 16.00 X 12.00       |
| 20. | 969049&002012CC | Pre Laminate- 0.50 X 56.00 X 47.00       |
| 21. | 203664-01       | Grill Screen-Plastic 9.25 X 14.88        |
| 22. | 382518          | Piano Hinge, 3" Open 72" Finish Black    |
| 23. | 381228-02       | Catch Grabber Door C3-803381607-12       |
| 24. | 967200          | Sub Assy - Bed Corner 23FB SIG           |
| 25. | 967265          | Sub Assy-Bed Corner 23FB SIG             |
| 26. | 704578          | Mattress, Tuft & Needle 60 x 70 w Radius |
| 27. | 381067-09       | Spring-Gas 90 LBS                        |
|     | 382462          | Bracket Assy- Lower #LPB77               |
|     | 382463          | Bracket Assy-Upper #LPB26R               |
|     | 381084          | Ball, Stud                               |
|     | 112671-28       | Vinyl- Under Bed Storage                 |
|     | 382522          | Pull W/Screws - New Haven M516           |
|     | 365429-01       | Edgebanding 5/8 Blk Walnut               |
|     | 365426-01       | Edbanding-5/8 Natl Elm                   |
|     | 365429-02       | Edgebanding 15/16: Blk Walnut            |
|     | 365426-02       | Edgebanding-15/16" Natl Elm              |
|     | 203445-01       | T-Molding - .5625" White                 |
|     | 969051          | Headboard Assy - Queen                   |

# 2022 GLOBETROTTER FURNITURE, BEDROOM

Bed, Queen, 25FB



968922

Bed Base "Queen" Bedroom

- |     |                 |                                    |
|-----|-----------------|------------------------------------|
| 1.  | 968922&000112BC | Panel, 2.25 X 11.13                |
| 2.  | 381228          | Catch Grabber Door C3-810          |
| 3.  | 968922&000312BC | Pre Laminate- 0.50 X 15.50 X 16.50 |
| 4.  | 968922&000412CC | Panel, 15.13 X 52.50               |
| 5.  | 968922&000512CC | Panel, 15.13 X 16.75               |
| 6.  | 968922&000612CC | Panel, 15.13 X 26.50               |
| 7.  | 968922&000712CC | Panel, 3.00 X 15.13                |
| 8.  | 968922&000812CC | Panel, 8.00 X 8.00                 |
| 9.  | 968922&000912CC | Panel, 8.00 X 8.00                 |
| 10. | 968922&001012CC | Panel, 8.00 X 8.00                 |
| 11. | 968922&001112CC | Panel, 11.19 X 15.13               |
| 12. | 968922&001212CC | Panel, 11.00 X 18.25               |

Parts Continued on the Next Page



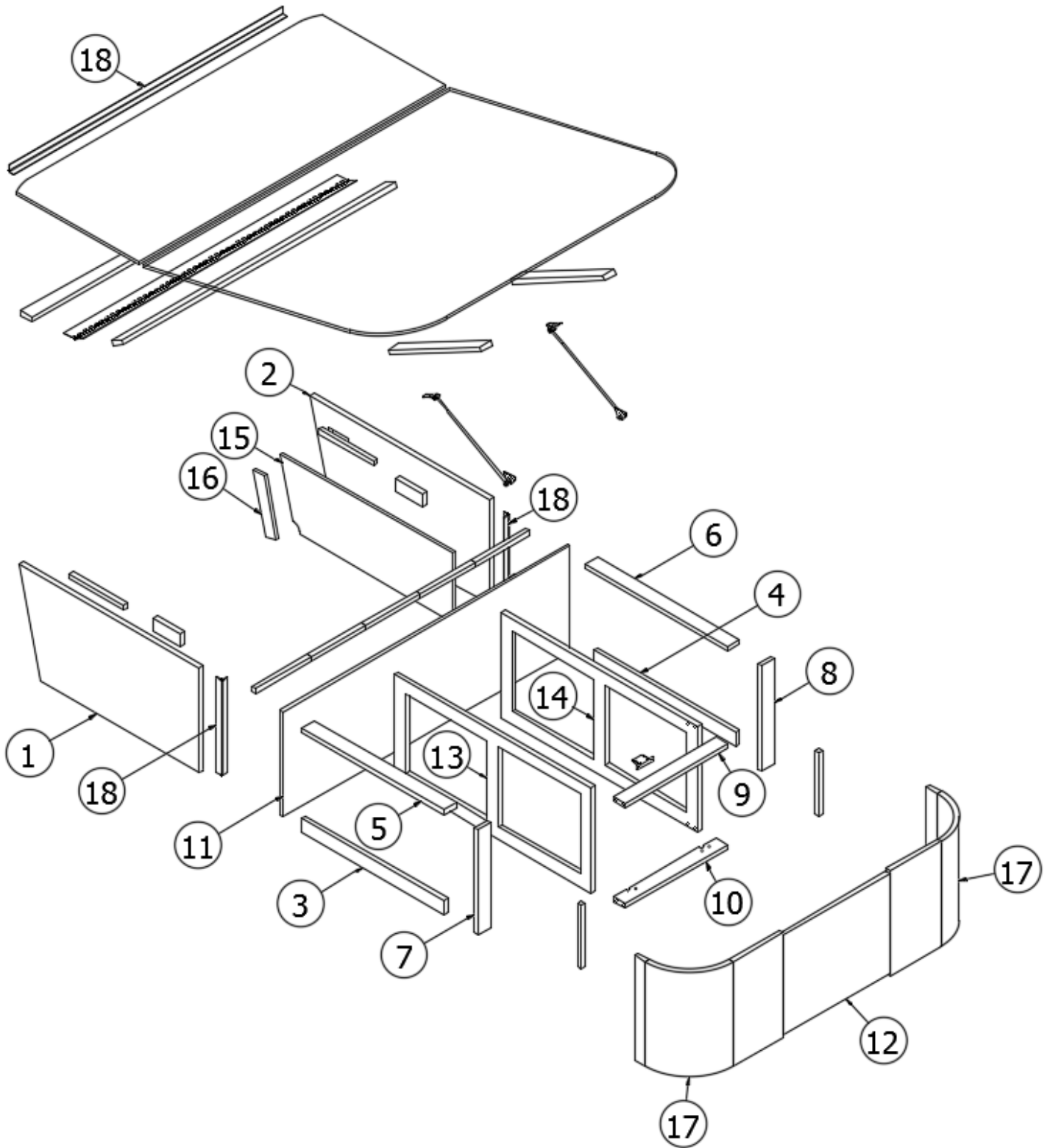
## 2022 GLOBETROTTER FURNITURE, BEDROOM

### Bed, Queen, 25FB

	968922	Bed Base "Queen" Bedroom
13.	968922&001312CC	Pre Laminate- 0.50 X 15.01 X 26.63
14.	704518	Liner-Compartment Black
15.	968922&001512CC	Pre Laminate- 0.50 X 8.25 X 16.75
16.	968922&001612CC	Pre Laminate- 0.50 X 14.38 X 43.00
17.	968922&001718CC	Pre Laminate- .75 X 2.50 X 19.25
18.	968922&001812CC	Pre Laminate- 0.50 X 2.00 X 19.25
19.	968922&001918BC	Pre Laminate- 0.75 X 10.44 X 15.13
20.	968922&002018BC	Panel, 4.00 X 14.38
21.	968922&002118BC	Panel, 4.00 X 18.81
22.	968922&002218BC	Panel, 15.13 X 46.62
23.	968922&002318BC	Pre Laminate- 0.75 X 3.00 X 17.50
24.	968922&002418BC	Pre Laminate- 0.75 X 11.88 X 17.25
25.	968922&002518CC	Panel, 3.00 X 16.75
26.	968922&002618CC	Panel, 3.00 X 32.13
27.	968922&002718CC	Panel, 3.00 X 32.13
28.	968922&002818CC	Panel, 3.00 X 32.13
29.	968922&003512CC	Panel, 47.00 X 56.00
30.	968922&003612CC	Panel, 25.62 x 56.00
31.	968922&003712CC	Panel, 12.00 x 16.00
32.	967069	Assembly, Forward Radius
33.	967070	Assembly - Forward Radius
34.	968922&004718CC	Panel, 15.13 x 31.91
35.	968922&005312CC	Pre Laminate, 14.25 x 22.25
36.	968922&005212CC	Panel, 12.00 x 16.00
37.	381084	Ball, Stud
	382462	Bracket Assembly- Lower
	382463	Bracket Assembly-Upper
	381067-09	Spring-Gas 90 LBS
38.	382518	Piano Hinge, 3" Open Raw
39.	704578	Mattress, Tuft & Needle, 60 x 75
	381607-11	Hinge-Self Close Overlay
	381607-12	Baseplate-Grass
	381607-16	Clip-Steel Grass Hinge
	382522	Pull W/Screws - New Haven M516
	365429-01	Edgebanding 5/8 Blk Walnut
	365426-01	Edbanding-5/8 Natl Elm
	365429-02	Edgebanding 15/16: Blk Walnut
	365426-02	Edgebanding-15/16" Natl Elm
	112671-33	Vinyl-Under Bed Storage
	116338	Aluminum Water Heater Cover

# 2022 GLOBETROTTER FURNITURE, BEDROOM

Bed, Queen, 27FB, 30RB



Parts Listed on Next Page

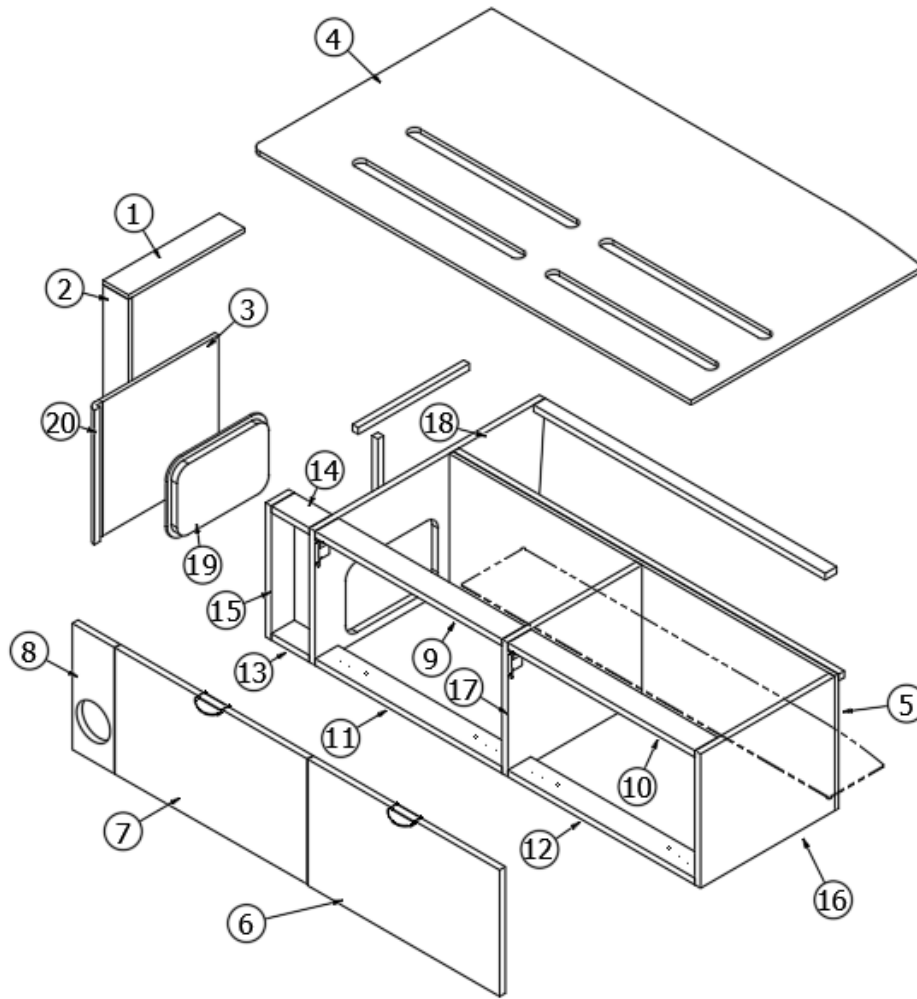
## 2022 GLOBETROTTER FURNITURE, BEDROOM

### Bed, Queen, 27FB, 30RB

968762	Bed – Bed Base, 27FB
968762-01	Assembly - Bed Base, 30RB
1. 968762&000118BC	Panel, 32.75 x 16.63
968762&013318BC	Pre Laminate- 0.75 X 32.75 X 16.63, 30RB
2. 968762&000218BC	Panel, 32.75 x 16.63
3. 968762&000318BC	Panel, 26 x 2.25
4. 968762&000418BC	Panel, 26 x 2.25
5. 968762&000518CC	Panel, 26 x 2.25
6. 968762&000618CC	Panel, 26 x 2.25
7. 968762&000718BC	Panel, 16.63 x 2.25
8. 968762&000818BC	Panel, 16.63 x 2.25
9. 968762&000918CC	Panel, 2.25 x 18.75
10. 968762&001018CC	Panel, 2.25 x 18.75
11. 968762&001112CC	Panel, 52.5 x 16.63
12. 968762&001918BC	Panel, 19.38 x 15.75
13. 968762&002118CC	Panel, 36 x 16.63
14. 968762&002218CC	Panel, 36 x 16.63
15. 968762&002512CC	Panel, 31.44 x 11
16. 968762&002712CC	Panel, 9.75 x 2
17. 968763	Sub assembly, Bed corner
18. 114812	Aluminum angle, 1 x 1
382522	Pull, New Haven
381607-11	Hinge, Self-close
381228-02	Catch, Grabber door, (5lb Pull)
381067-09	Gas spring, 90 LBS
365429-02	Edgebanding 15/16: Blk Walnut
365426-02	Edgebanding-15/16" Natl Elm
365386-01	Edgebanding, Linen, 5/8"
382518	Piano Hinge, 3" Open 72" No Finish
201016	Drawer, 16 x 22
203667	Storage bin, 23 x 16.75 x 12.38
704497	Mattress, Tuft and Needle
968707	Headboard Assembly
112671-17	Vinyl- Compartment Liner

# 2022 GLOBETROTTER FURNITURE, BEDROOM

Bed, Twin RS, 23FB



Parts Listed on Next Page

## 2022 GLOBETROTTER FURNITURE, BEDROOM

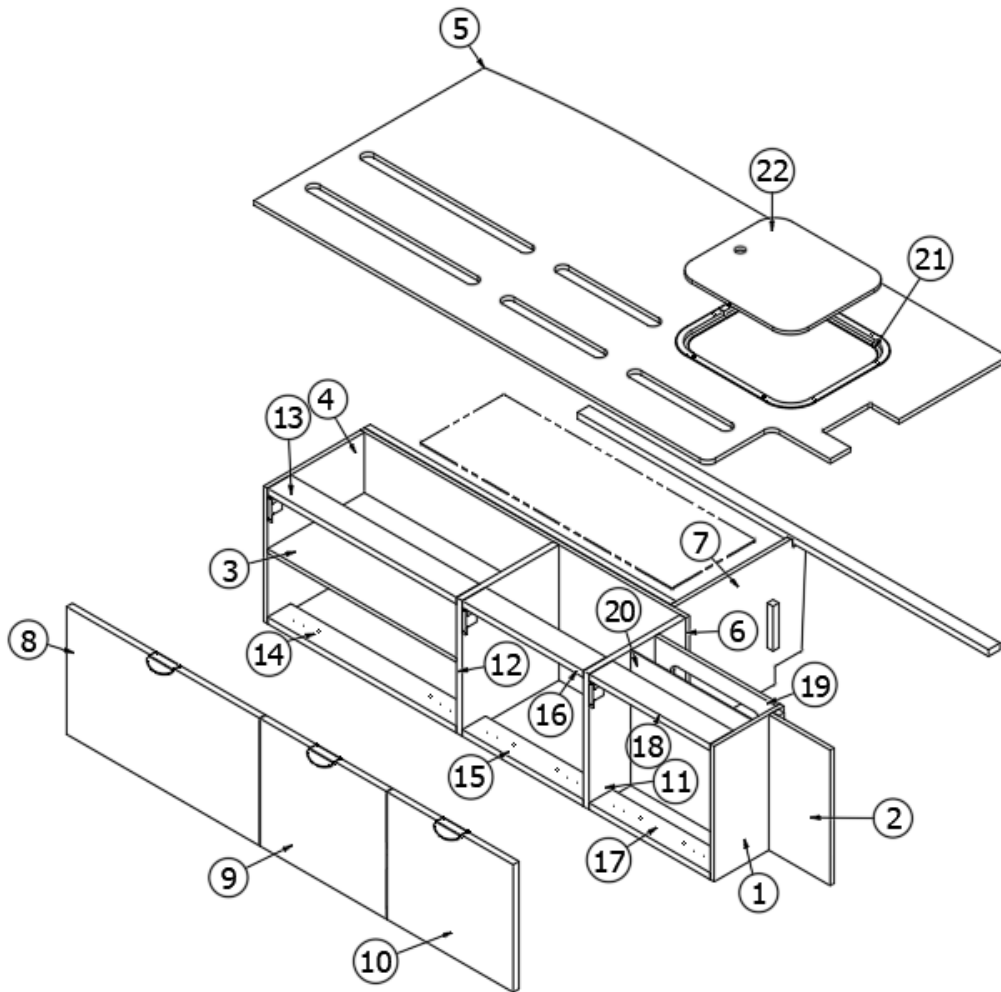
### Bed, Twin RS, 23FB

969046                      Assembly, Twin Bed, RS

- |     |                 |  |
|-----|-----------------|--|
| 1.  | 969046&000112BC | Pre Laminate- 0.50 X 15.13 X 3.30      |
| 2.  | 969046&000212BC | Pre Laminate- 0.50 X 3.30 X 14.50      |
| 3.  | 969046&000312BC | Pre Laminate- 0.50 X 15.13 X 15.13     |
| 4.  | 969046&000412CC | Panel, 57.25 X 31.25                   |
| 5.  | 969046&000512CC | Panel, 50.25 X 15.13                   |
| 6.  | 969046&000618BC | Pre Laminate- 0.75 X 25.01 X 14.26     |
| 7.  | 969046&000718BC | Pre Laminate- 0.75 X 25.01 X 14.26     |
| 8.  | 969046&000818BC | Pre Laminate- 0.75 X 5.44 X 14.25      |
| 9.  | 969046&000918CC | Panel, 24.38 X 3.00                    |
| 10. | 969046&001018CC | Panel, 24.38 X 3.00                    |
| 11. | 969046&001118CC | Panel, 24.38 X 3.00                    |
| 12. | 969046&001218CC | Panel, 24.38 X 3.00                    |
| 13. | 969046&001318CC | Panel, 4.94 X 3.00                     |
| 14. | 969046&001418CC | Panel, 4.94 X 3.00                     |
| 15. | 969046&001518CC | Panel, 3.00 X 15.13                    |
| 16. | 969046&001618CC | Panel, 17.50 X 15.13                   |
| 17. | 969046&001718CC | Panel, 17.50 X 15.13                   |
| 18. | 969046&001818CC | Panel, 30.00 X 15.13                   |
| 19. | 969046&001918CC | Panel, 7.94 X 11.94                    |
| 20. | 969046&0024T06A | Corner Trim 90d 1" Radius, 801706-0040 |
|     | 801706-0040     | Corner Trim 90 Deg Rad Blk Walnut      |
|     | 801706-0041     | Corner Trim 90deg 1" Rad Nat Elm       |
|     | 381228-02       | Catch Grabber Door C3-803              |
|     | 381607-11       | Hinge-Self Close Overlay 110D          |
|     | 381607-12       | Hinge, Baseplate                       |
|     | 381607-16       | 85° Angle Reduction Clip               |
|     | 382522          | Pull W/Screws - New Haven M516         |
|     | 365429-01       | Edgebanding 5/8 Blk Walnut             |
|     | 365426-01       | Edbanding-5/8 Natl Elm                 |
|     | 365429-02       | Edgebanding 15/16: Blk Walnut          |
|     | 365426-02       | Edgebanding-15/16" Natl Elm            |
|     | 201051          | Storage Box                            |
|     | 969050          | Headboard Assy - Twin                  |

# 2022 GLOBETROTTER FURNITURE, BEDROOM

Bed, Twin CS, 23FB



Parts Listed on Next Page

## 2022 GLOBETROTTER FURNITURE, BEDROOM

### Bed, Twin CS, 23FB

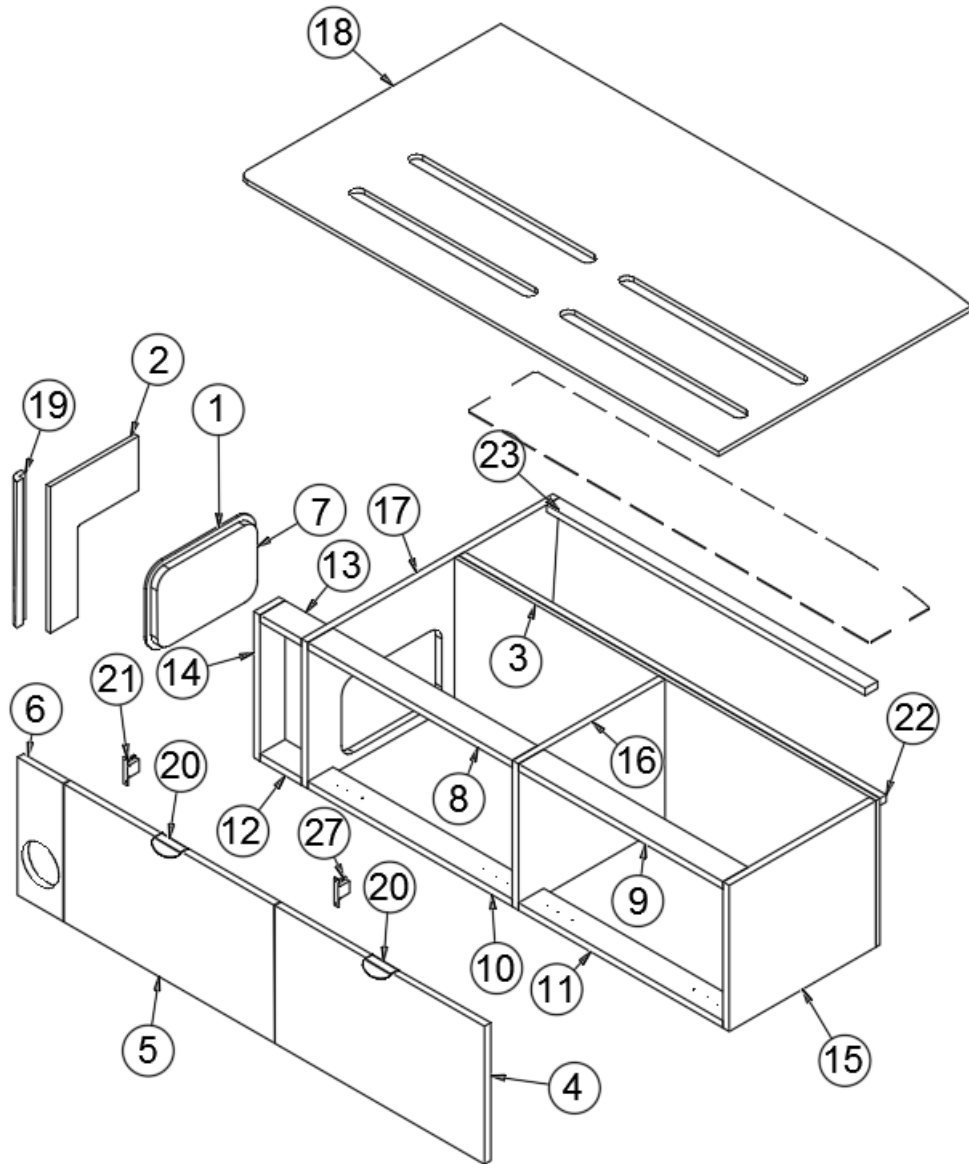
969045

Twin Bed CS

- |   |   |  |
|---|---|--|
| <ol style="list-style-type: none"> <li>1.</li> <li>2.</li> <li>3.</li> <li>4.</li> <li>5.</li> <li>6.</li> <li>7.</li> <li>8.</li> <li>9.</li> <li>10.</li> <li>11.</li> <li>12.</li> <li>13.</li> <li>14.</li> <li>15.</li> <li>16.</li> <li>17.</li> <li>18.</li> <li>19.</li> <li>20.</li> <li>21.</li> <li>22.</li> </ol> | <p>969045&amp;000112BC<br/>969045&amp;000212BC<br/>969045&amp;000312CC<br/>969045&amp;000412CC<br/>969045&amp;000512CC<br/>969045&amp;000612CC<br/>969045&amp;000712CC<br/>969045&amp;000818BC<br/>969045&amp;000918BC<br/>969045&amp;001018BC<br/>969045&amp;001118CC<br/>969045&amp;001218CC<br/>969045&amp;001318CC<br/>969045&amp;001418CC<br/>969045&amp;001518CC<br/>969045&amp;001618CC<br/>969045&amp;001718CC<br/>969045&amp;001818CC<br/>800506-04<br/>969045&amp;003503CE<br/>114295<br/>802156<br/>365429-01<br/>365426-01<br/>365429-02<br/>365426-02<br/>382521<br/>381228-02<br/>381607-11<br/>381607-12<br/>381607-16</p> | <p>Twin Bed CS</p> <p>Panel, 12.50 X 15.13<br/>Panel, 8.92 X 15.13<br/>Panel, 24.38 X 12.50<br/>Panel, 12.50 X 15.13<br/>Panel, 67.06 X 31.25<br/>Panel, 58.14 X 15.13<br/>Panel, 14.88 X 16.17<br/>Pre Laminate- 0.75 X 24.88 X 14.25<br/>Pre Laminate- 0.75 X 16.26 X 14.25<br/>Pre Laminate- 0.75 X 16.26 X 14.25<br/>Panel, 12.50 X 15.13<br/>Panel, 12.50 X 15.13<br/>Panel, 24.38 X 3.00<br/>Panel, 24.38 X 3.00<br/>Panel, 15.63 X 3.00<br/>Panel, 15.63 X 3.00<br/>Panel, 15.63 X 3.00<br/>Panel, 15.63 X 3.00<br/>Plywood, .5 x 15.13 x 15.63<br/>pre lam-.13 X 15.13 X 15.63<br/>Trim Ring, Dinette Seat<br/>Lauan, .38 x 13 x 15"<br/>Edgebanding 5/8 Blk Walnut<br/>Edbanding-5/8 Natl Elm<br/>Edgebanding 15/16: Blk Walnut<br/>Edgebanding-15/16" Natl Elm<br/>Handle-Tab Pull Pol Chrome W/Screws Glo<br/>Catch Grabber Door C3-803<br/>Hinge-Self Close Overlay 110D<br/>Hinge, Baseplate<br/>85° Angle Reduction Clip</p> |
|---|---|--|

# 2022 GLOBETROTTER FURNITURE, BEDROOM

Bed, Twin RS, 25FB



Parts Listed on Next Page



## 2022 GLOBETROTTER FURNITURE, BEDROOM

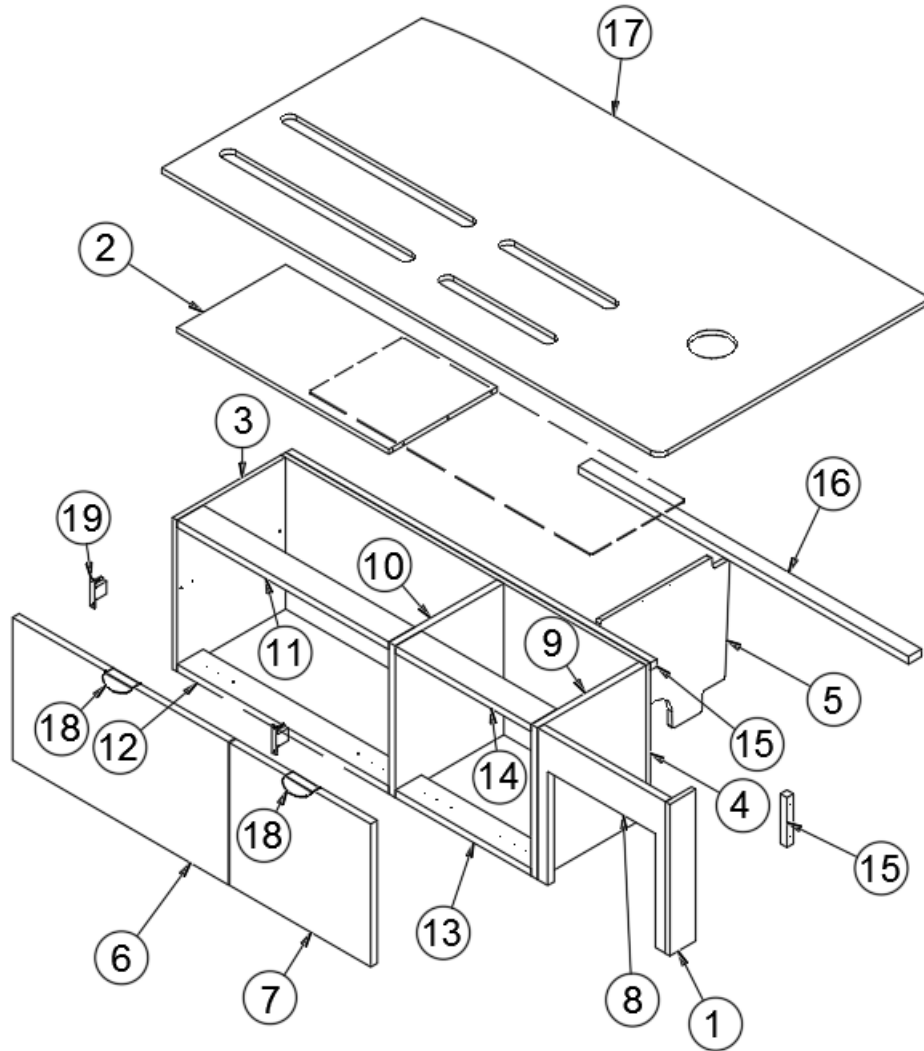
### Bed, Twin RS, 25FB

968913                      Twin Bed Assembly, RS

- |     |                 |   |
|-----|-----------------|---|
| 1.  | 800507-02       | Pine, 9.00 X 13.00                      |
| 2.  | 968913&000212BC | Pre Laminate .50 X 10.50 X 15.13        |
| 3.  | 968913&000312CC | Panel, 50.25 X 15.13                    |
| 4.  | 968913&000418BC | Pre Laminate 0.75 X 25.01 X 1           |
| 5.  | 968913&000518BC | Pre Laminate 0.75 X 25.01 X 1           |
| 6.  | 968913&000618BC | Pre Laminate 0.75 X 5.44 X 14           |
| 7.  | 968913&000718BC | Panel, 7.94 X 11.94                     |
| 8.  | 968913&000818CC | Panel, 24.38 X 3.00                     |
| 9.  | 968913&000918CC | Panel, 24.38 X 3.00                     |
| 10. | 968913&001018CC | Panel, 24.38 X 3.00                     |
| 11. | 968913&001118CC | Panel, 24.38 X 3.00                     |
| 12. | 968913&001218CC | Panel, 4.94 X 3.00                      |
| 13. | 968913&001318CC | Panel, 4.94 X 3.00                      |
| 14. | 968913&001418CC | Panel, 3.00 X 15.13                     |
| 15. | 968913&001518CC | Panel, 17.50 X 15.13                    |
| 16. | 968913&001618CC | Panel, 17.50 X 15.13                    |
| 17. | 968913&001718CC | Panel, 30.00 X 15.13                    |
| 18. | 968913&002012CC | Panel, 57.25 X 31.25                    |
| 19. | 968913&0021T06A | Corner Trim 90D 1" Radius               |
|     | 801706-0040     | Corner Trim 90 Deg Rad Blk Walnut       |
|     | 801706-0041     | Corner Trim 90deg 1" Rad Nat Elm        |
| 20. | 382521          | Handle-Tab Pull Pol Chrome W/Screws Glo |
| 21. | 381228-01       | Catch Grabber, 3 Lb.                    |
| 22. | 800025-01       | Pine, 0.75 x 0.75 x 50.25               |
| 23. | 800028          | Pine, 0.75 x 0.75 x 38                  |
|     | 365429-02       | Edgebanding 15/16: Blk Walnut           |
|     | 365426-02       | Edgebanding-15/16" Natl Elm             |
|     | 381607-11       | Hinge-Self Close Overlay                |
|     | 381607-12       | Baseplate-Grass                         |
|     | 381607-16       | Clip-Steel Grass Hinge                  |
|     | 112671-04       | Vinyl-Under Bed Storage                 |

# 2022 GLOBETROTTER FURNITURE, BEDROOM

Bed, Twin CS, 25FB



Parts Listed on Next Page

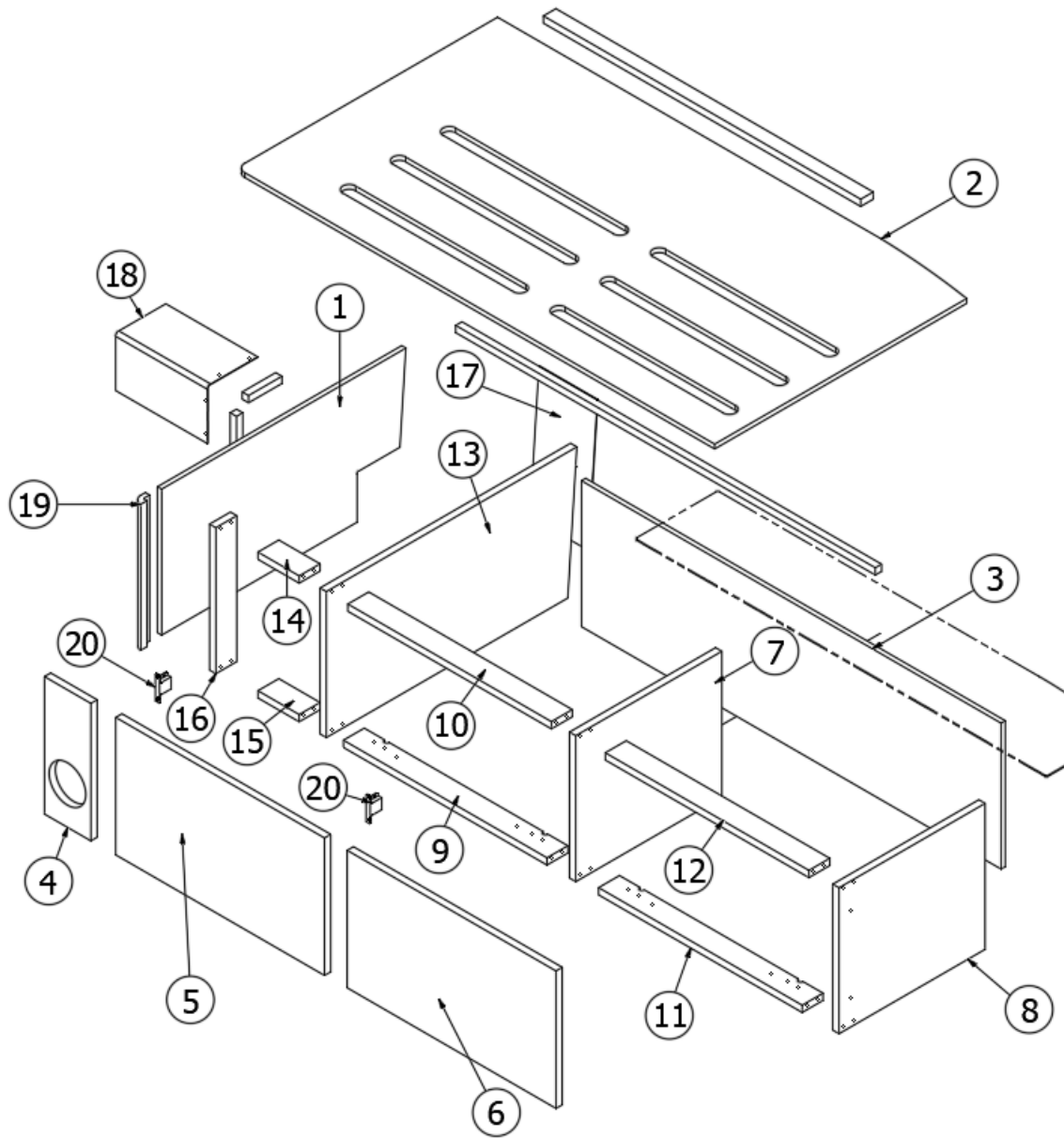
## 2022 GLOBETROTTER FURNITURE, BEDROOM

### Bed, Twin CS, 25FB

968912	Twin Bed, CS
1. 968912&000112BC	Panel, 3.00 X 15.13
2. 968912&000212CC	Panel, 24.38 X 12.50
3. 968912&000312CC	Panel, 12.50 X 15.13
4. 968912&000412CC	Panel, 42.00 X 15.13
5. 968912&000512CC	Panel, 14.88 X 16.17
6. 968912&000618BC	Pre Laminate- 0.75 X 24.88 X 14.25
7. 968912&000718BC	Pre Laminate- 0.75 X 16.26 X 14.25
8. 968912&000818BC	Pre Laminate- 0.75 X 14.75 X 15.13
9. 968912&001018CC	Panel, 12.50 X 15.13
10. 968912&001118CC	Panel, 12.50 X 15.13
11. 968912&001218CC	Panel, 24.38 X 3.00
12. 968912&001318CC	Panel, 24.38 X 3.00
13. 968912&001418CC	Panel, 15.63 X 3.00
14. 968912&001518CC	Panel, 15.63 X 3.00
15. 800025-01	Pine, 0.75 x 0.75
16. 800028	Pine, 0.75 x 0.75 x 38.04
17. 968912&001912CC	Panel, 57.25 X 31.25
18. 382521	Handle-Tab Pull Pol Chrome W/Screws Glo
19. 381228-02	Black Catch Grabber, 3 Lb.
365429-01	Edgebanding 5/8 Blk Walnut
365426-01	Edbanding-5/8 Natl Elm
365429-02	Edgebanding 15/16: Blk Walnut
365426-02	Edgebanding-15/16" Natl Elm
381607-11	Hinge-Self Close Overlay
381607-12	Baseplate-Grass
381607-16	Clip-Steel Grass Hinge
112671-06	Vinyl-Under Bed Storage

# 2022 GLOBETROTTER FURNITURE, BEDROOM

Bed, Twin, RS, 27FB



Parts Listed on Next Page

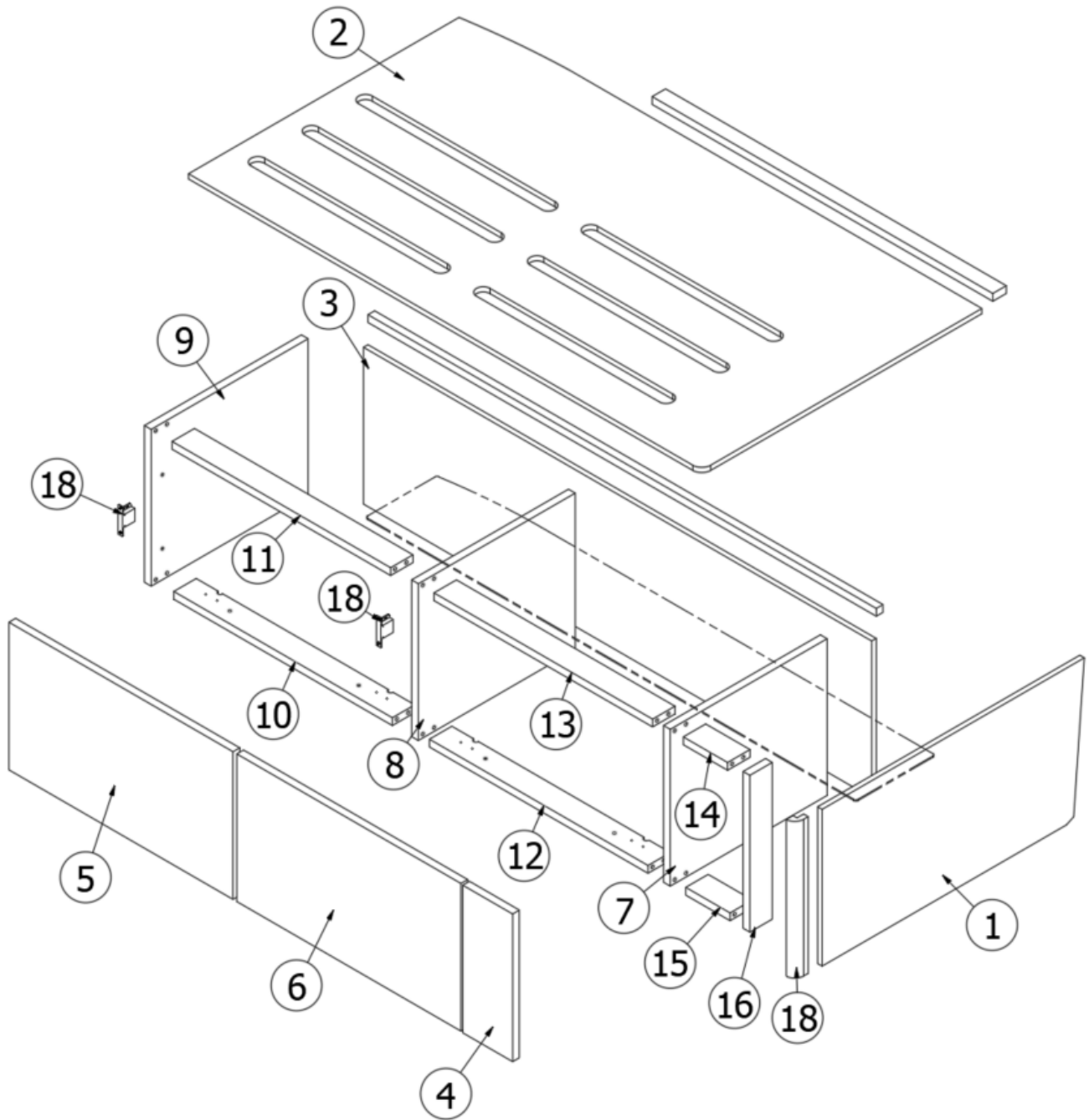
## 2022 GLOBETROTTER FURNITURE, BEDROOM

### Bed, Twin, RS, 27FB

968960	Assembly, Twin Bed RS
1. 968960&000112BC	Panel, 29.25 X 15.13
2. 968960&000212CC	Panel, 57.25 X 31.25
3. 968960&000312CC	Panel, 50.25 X 15.13
4. 968960&000418BC	Panel, 5.56 X 14.25
5. 968960&000518BC	Panel, 25.00 X 14.25
6. 968960&000618BC	Panel, 25.00 X 14.25
7. 968960&000718CC	Panel, 17.50 X 15.13
8. 968960&000818CC	Panel, 17.50 X 15.13
9. 968960&000918CC	Panel, 24.38 X 2.50
10. 968960&001018CC	Panel, 24.38 X 2.50
11. 968960&001118CC	Panel, 24.38 X 2.50
12. 968960&001218CC	Panel, 24.38 X 2.50
13. 968960&001318CC	Panel, 30.00 X 15.13
14. 968960&001418CC	Panel, 4.94 X 2.50
15. 968960&001518CC	Panel, 4.94 X 2.50
16. 968960&001618CC	Panel, 2.50 X 15.13
17. 115905	Closeout-Bed Base 30 Twin
18. 116285	Twin Bed Close-Out
19. 801706-0040	Corner Trim 90 Deg Rad Blk Walnut
801706-0041	Corner Trim 90deg 1" Rad Nat Elm
20. 381228-02	Catch, Grabber door
382521	Handle, Tab pull, Chrome
381607-11	Hinge, Self-close
203419	Storage box, 23 x 16.75 x 11.88
968707-01	Headboard Assembly
112671-13	Vinyl- Compartment Liner
365013-01	Tape, Foam-Screen Door-Charcoal

# 2022 GLOBETROTTER FURNITURE, BEDROOM

Bed, Twin, CS, 27FB



Parts Listed on Next Page

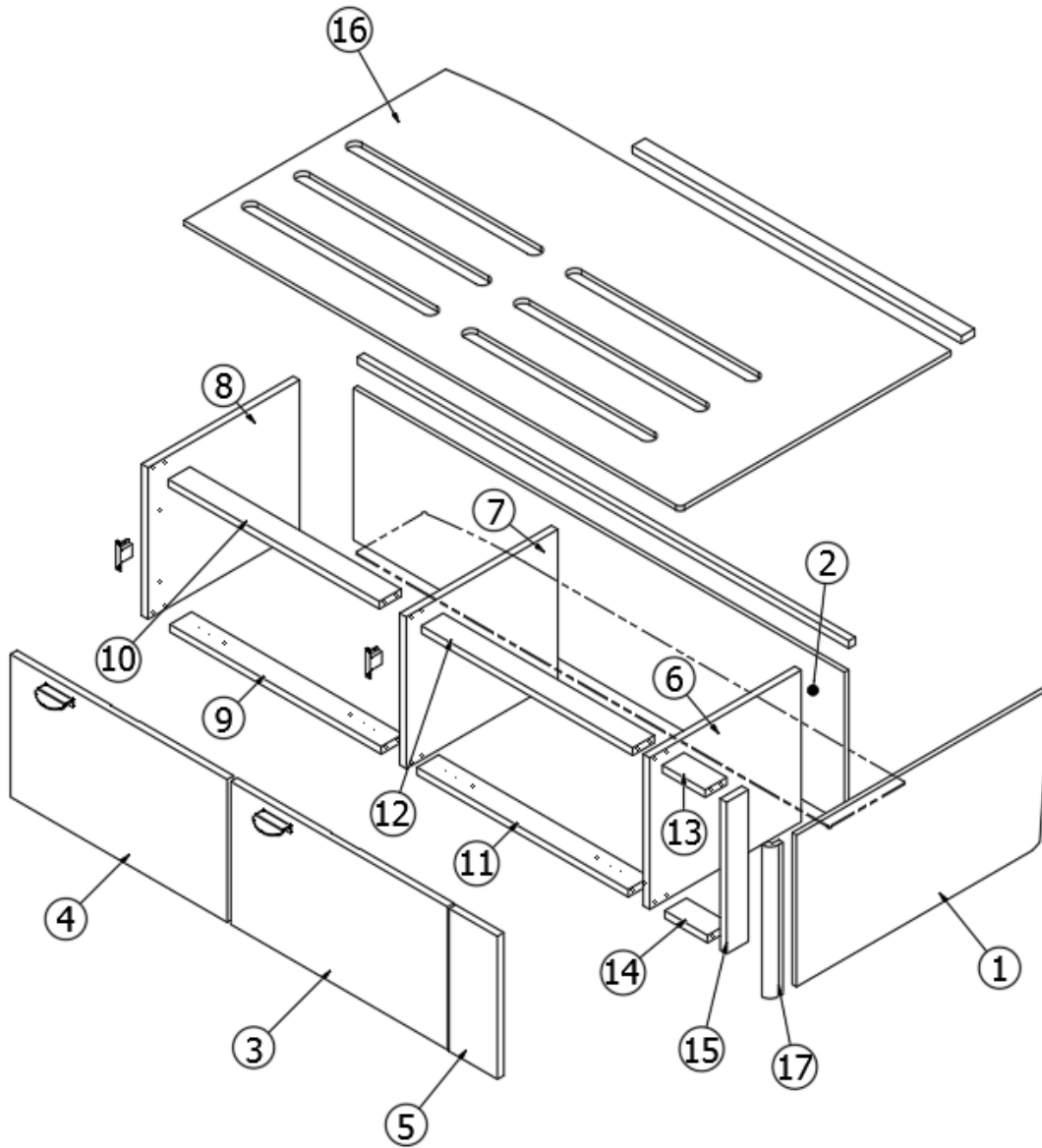
## 2022 GLOBETROTTER FURNITURE, BEDROOM

### Bed, Twin, CS, 27FB

968959	Assembly Twin Bed CS
1. 968959&000112BC	Panel, 29.25 X 15.13
2. 968959&000212CC	Panel, 57.25 X 31.25
3. 968959&000312CC	Panel, 56.69 X 15.13
4. 968959&000418BC	Panel, 5.56 X 14.25
5. 968959&000518BC	Panel, 25.00 X 14.25
6. 968959&000618BC	Panel, 25.00 X 14.25
7. 968959&000718CC	Panel, 17.50 X 15.13
8. 968959&000818CC	Panel, 17.50 X 15.13
9. 968959&000918CC	Panel, 17.50 X 15.13
10. 968959&001018CC	Panel, 24.38 X 2.50
11. 968959&001118CC	Panel, 24.38 X 2.50
12. 968959&001218CC	Panel, 24.38 X 2.50
13. 968959&001318CC	Panel, 24.38 X 2.50
14. 968959&001418CC	Panel, 4.94 X 2.50
15. 968959&001518CC	Panel, 4.94 X 2.50
16. 968959&001618CC	Panel, 2.50 X 15.13
17. 801706-0040	Corner Trim 90 Deg Rad Blk Walnut
801706-0041	Corner Trim 90deg 1" Rad Nat Elm
18. 381228-02	Catch, Grabber door
381607-11	Hinge, Self-close
382521	Handle, Tab pull, Chrome
203419	Storage box, 23 x 16.75 x 11.88
968707-01	Headboard Assembly
112671-12	Vinyl- Compartment Liner

# 2022 GLOBETROTTER FURNITURE, BEDROOM

Bed, Twin, RS, 30RB



Parts Listed on Next Page



## 2022 GLOBETROTTER FURNITURE, BEDROOM

### Bed, Twin, RS, 30RB

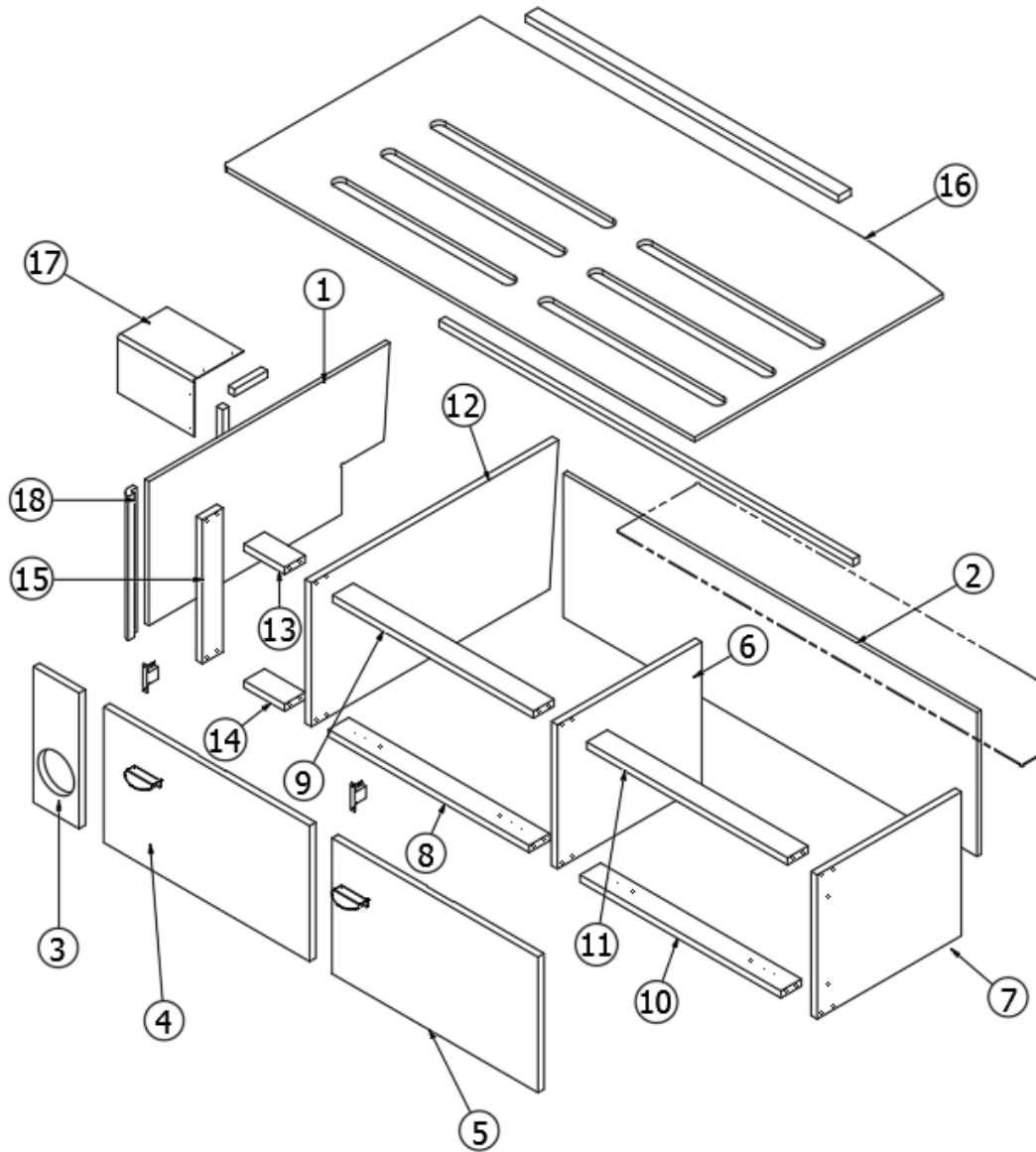
969316

Assembly, Twin Bed RS

- |     |                 |                                   |
|-----|-----------------|-----------------------------------|
| 1.  | 969316&000112BC | Panel, 29.25 X 15.13              |
| 2.  | 969316&000212CC | Panel, 56.69 X 15.13              |
| 3.  | 969316&000318BC | Panel, 25.00 X 14.25              |
| 4.  | 969316&000418BC | Panel, 25.00 X 14.25              |
| 5.  | 969316&000518BC | Panel, 5.56 X 14.25               |
| 6.  | 969316&000618CC | Panel, 17.50 X 15.13              |
| 7.  | 969316&000718CC | Panel, 17.50 X 15.13              |
| 8.  | 969316&000818CC | Panel, 17.50 X 15.13              |
| 9.  | 969316&000918CC | Panel, 24.38 X 2.50               |
| 10. | 969316&001018CC | Panel, 24.38 X 2.50               |
| 11. | 969316&001118CC | Panel, 24.38 X 2.50               |
| 12. | 969316&001218CC | Panel, 24.38 X 2.50               |
| 13. | 969316&001318CC | Panel, 4.94 X 2.50                |
| 14. | 969316&001418CC | Panel, 4.94 X 2.50                |
| 15. | 969316&001518CC | Panel, 2.50 X 15.13               |
| 16. | 969316&001612CC | Panel, 57.25 X 31.25              |
| 17. | 801706-0040     | Corner Trim 90 Deg Rad Blk Walnut |
|     | 801706-0041     | Corner Trim 90deg 1" Rad Nat Elm  |
|     | 381607-11       | Hinge, Self-close                 |
|     | 381607-12       | Baseplate-Grass 9.5X37/32         |
|     | 382521          | Handle, Tab pull, Chrome          |
|     | 381228-02       | Catch, Grabber door               |
|     | 365429-01       | Edgebanding 5/8 Blk Walnut        |
|     | 365426-01       | Edbanding-5/8 Natl Elm            |
|     | 365429-02       | Edgebanding 15/16: Blk Walnut     |
|     | 365426-02       | Edgebanding-15/16" Natl Elm       |
|     | 112671-38       | Vinyl - Compartment Liner         |
|     | 203667          | Box Storage, 23"X16.75"X12.38"    |

# 2022 GLOBETROTTER FURNITURE, BEDROOM

Bed, Twin, CS, 30RB



Parts Listed on Next Page

## 2022 GLOBETROTTER FURNITURE, BEDROOM

### Bed, Twin, CS, 30RB

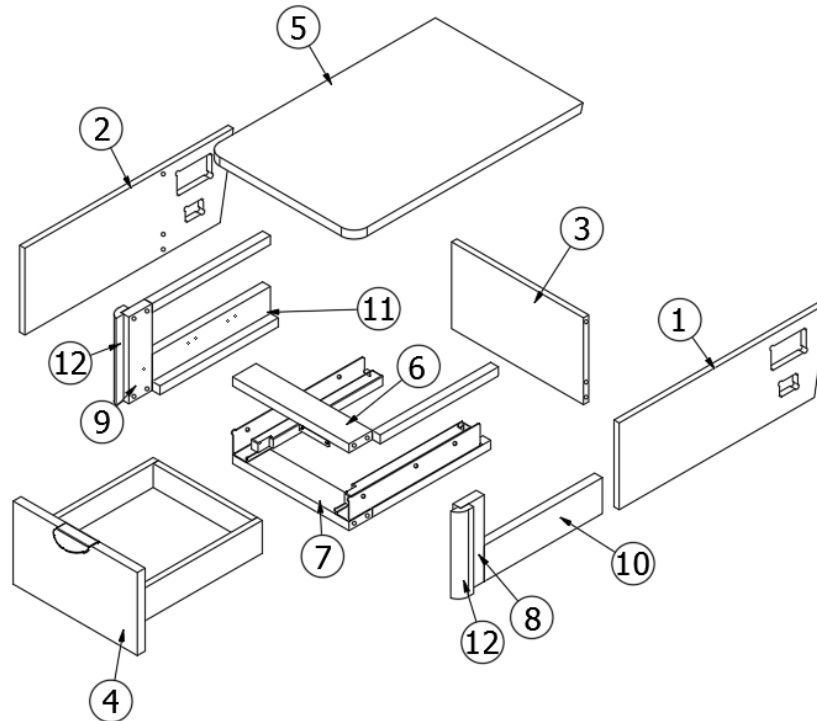
969312

Assembly, Twin Bed CS

- |     |                 |                                   |
|-----|-----------------|-----------------------------------|
| 1.  | 969312&000112BC | Panel, 29.25 X 15.13              |
| 2.  | 969312&000212CC | Panel, 50.25 X 15.13              |
| 3.  | 969312&000318BC | Panel, 5.56 X 14.25               |
| 4.  | 969312&000418BC | Panel, 25.00 X 14.25              |
| 5.  | 969312&000518BC | Panel, 25.00 X 14.25              |
| 6.  | 969312&000618CC | Panel, 17.50 X 15.13              |
| 7.  | 969312&000718CC | Panel, 17.50 X 15.13              |
| 8.  | 969312&000818CC | Panel, 24.38 X 2.50               |
| 9.  | 969312&000918CC | Panel, 24.38 X 2.50               |
| 10. | 969312&001018CC | Panel, 24.38 X 2.50               |
| 11. | 969312&001118CC | Panel, 24.38 X 2.50               |
| 12. | 969312&001218CC | Panel, 30.00 X 15.13              |
| 13. | 969312&001318CC | Panel, 4.94 X 2.50                |
| 14. | 969312&001418CC | Panel, 4.94 X 2.50                |
| 15. | 969312&001518CC | Panel, 2.50 X 15.13               |
| 16. | 800507-03       | Plywood, 57.25 x 31.25"           |
| 17. | 116205          | Closeout-Bed Base 30 Twin         |
| 18. | 801706-0040     | Corner Trim 90 Deg Rad Blk Walnut |
|     | 801706-0041     | Corner Trim 90deg 1" Rad Nat Elm  |
|     | 381607-11       | Hinge, Self-close                 |
|     | 381607-12       | Baseplate-Grass 9.5X37/32         |
|     | 382521          | Handle, Tab pull, Chrome          |
|     | 381228-02       | Catch, Grabber door               |
|     | 365429-01       | Edgebanding 5/8 Blk Walnut        |
|     | 365426-01       | Edbanding-5/8 Natl Elm            |
|     | 365429-02       | Edgebanding 15/16: Blk Walnut     |
|     | 365426-02       | Edgebanding-15/16" Natl Elm       |
|     | 112671-13       | Vinyl - Compartment Liner         |
|     | 203667          | Box Storage, 23"X16.75"X12.38"    |

# 2022 GLOBETROTTER FURNITURE, BEDROOM

## Nightstand, 23FB Twin



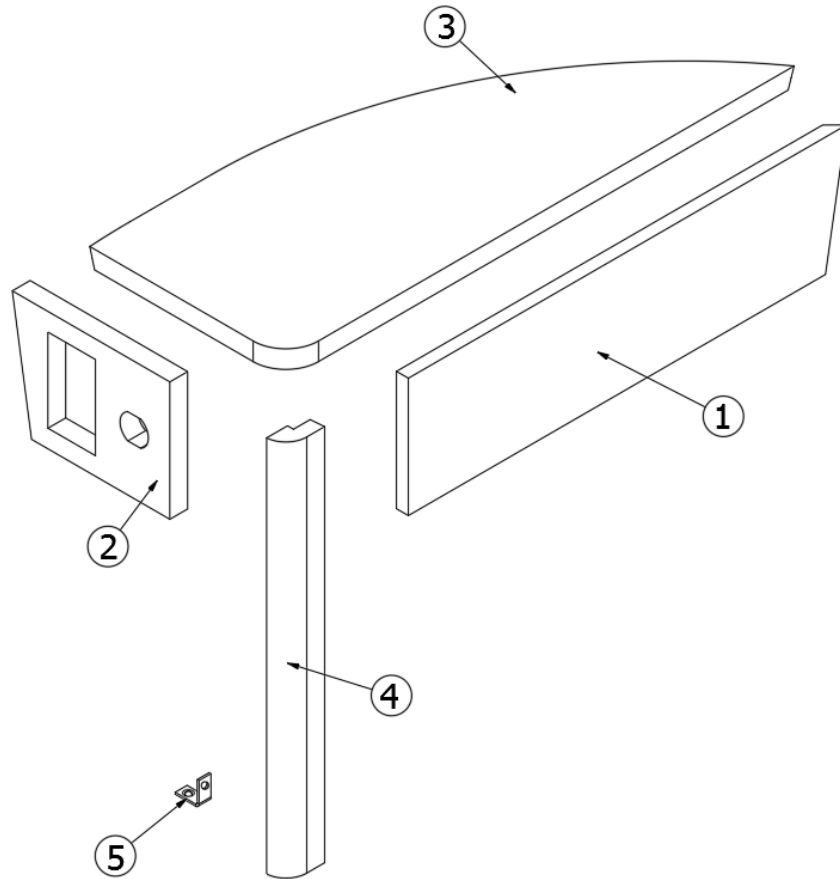
969048

Assembly, Nightstand

- |     |                 |   |
|-----|-----------------|---|
| 1.  | 969048&000112BC | Panel, 20.06 X 7.25                     |
| 2.  | 969048&000212BC | Panel, 20.06 X 7.25                     |
| 3.  | 969048&000312CC | Panel, 12.70 X 7.25                     |
| 4.  | 969048&000418BC | Panel, 6.93 X 11.95, DOOR               |
| 5.  | 969048&000518BC | Panel, 14.20 X 22.01                    |
| 6.  | 969048&000618CC | Panel, 2.25 X 11.20                     |
| 7.  | 969048&000718CC | Panel, 2.25 X 11.20                     |
| 8.  | 969048&000818CC | Panel, 2.25 X 7.25                      |
| 9.  | 969048&000918CC | Panel, 2.25 X 7.25                      |
| 10. | 969048&001018CC | Panel, 3.00 X 11.38                     |
| 11. | 969048&001118CC | Panel, 3.00 X 11.38                     |
| 12. | 969048&0013T06A | Corner Trim 90 Degree 1" Radius         |
|     | 801706-0040     | Corner Trim 90 Deg Rad Blk Walnut       |
|     | 801706-0041     | Corner Trim 90deg 1" Rad Nat Elm        |
|     | 381228-01       | Catch Grabber, 3 Lb.                    |
|     | 382807-06       | Drawer slide, Self-close, 12"           |
|     | 382807-01       | Fixing clip, Left front                 |
|     | 382807-02       | Fixing clip, Right front                |
|     | 382521          | Handle-Tab Pull Pol Chrome W/Screws Glo |
|     | 365429-02       | Edgebanding 15/16: Blk Walnut           |
|     | 365426-02       | Edgebanding-15/16" Natl Elm             |
|     | 968224-11       | Drawer Box Assy - 10.71 X 11.50         |

# 2022 GLOBETROTTER FURNITURE, BEDROOM

Nightstand, Corner, 23FB, 25FB

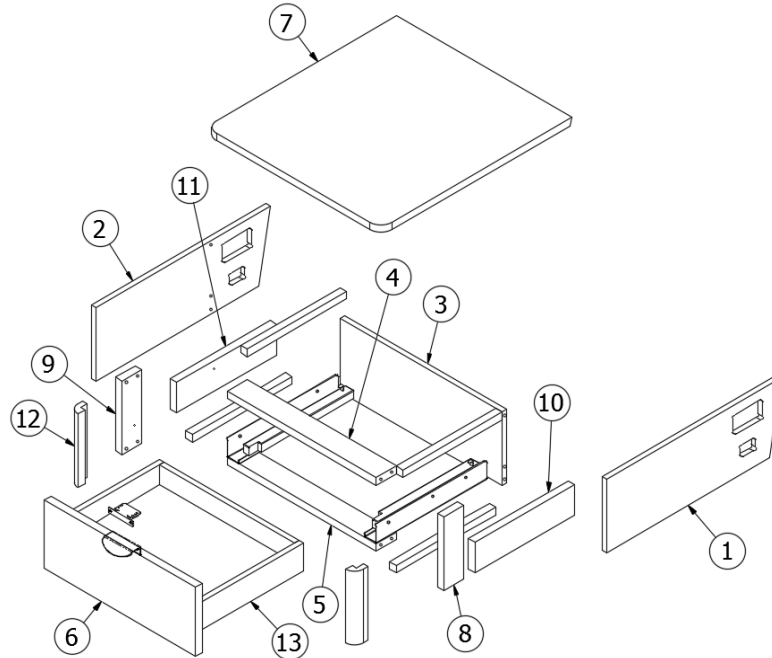


## 968901 Assembly Nightstand

- |    |                 |                                   |
|----|-----------------|-----------------------------------|
| 1. | 968901&000112BC | Pre Laminate- 0.50 X 5.00 X 18.44 |
| 2. | 968901&000218BC | Pre Laminate- 0.75 X 8.31 X 21.39 |
| 3. | 968901&000318BC | Pre Laminate- 0.75 X 5.00 X 6.63  |
| 4. | 801706-0040     | Corner Trim 90 Deg Rad Blk Walnut |
|    | 801706-0041     | Corner Trim 90deg 1" Rad Nat Elm  |
| 5. | 380041          | Bracket 90 degrees                |
|    | 365429-01       | Edgebanding 5/8 Blk Walnut        |
|    | 365426-01       | Edbanding-5/8 Natl Elm            |
|    | 365429-02       | Edgebanding 15/16: Blk Walnut     |
|    | 365426-02       | Edgebanding-15/16" Natl Elm       |

# 2022 GLOBETROTTER FURNITURE, BEDROOM

## Nightstand, Twin, 25FB, 27FB



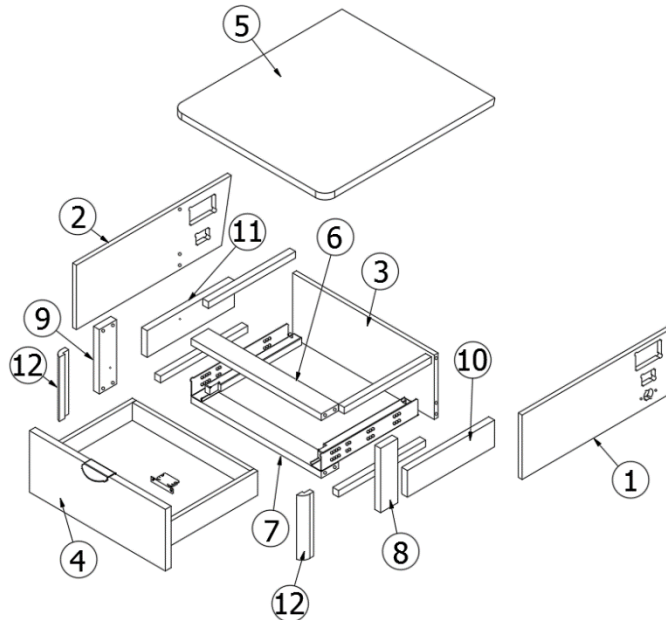
968773

Center Nightstand

- |                     |                                   |
|---------------------|-----------------------------------|
| 1. 968773&000112BC  | Panel, 20.25 x 7.25               |
| 2. 968773&000212BC  | Panel, 20.25 x 7.25               |
| 3. 968773&000312CC  | Panel, 18.5 x 7.25                |
| 4. 968773&000418CC  | Panel, 2.25 x 17                  |
| 5. 968773&000518CC  | Panel, 2.25 x 17                  |
| 6. 968773&000618BC  | Panel, 17.75 x 6.93               |
| 7. 968773&000718BC  | Panel, 20 x 22.20                 |
| 8. 968773&000918CC  | Panel, 2.25 x 7.25                |
| 9. 968773&001018CC  | Panel, 2.25 x 7.25                |
| 10. 968773&001118CC | Panel, 3 x 11.38                  |
| 11. 968773&001218CC | Panel, 3 x 11.38                  |
| 12. 801706-0040     | Corner Trim 90 Deg Rad Blk Walnut |
| 801706-0041         | Corner Trim 90deg 1" Rad Nat Elm  |
| 13. 969704-04       | Drawer box, 2.75 x 12 x 16.38"    |
| 382521              | Handle, Tab pull, Chrome          |
| 381228-02           | Catch, Grabber door (5lb Pull)    |
| 365429-02           | Edgebanding 15/16: Blk Walnut     |
| 365426-02           | Edgebanding-15/16" Natl Elm       |
| 382807-06           | Drawer slide, Self-close, 12"     |
| 382807-01           | Fixing clip, Left front           |
| 382807-02           | Fixing clip, Right front          |

# 2022 GLOBETROTTER FURNITURE, BEDROOM

## Nightstand, Twin, 30RB



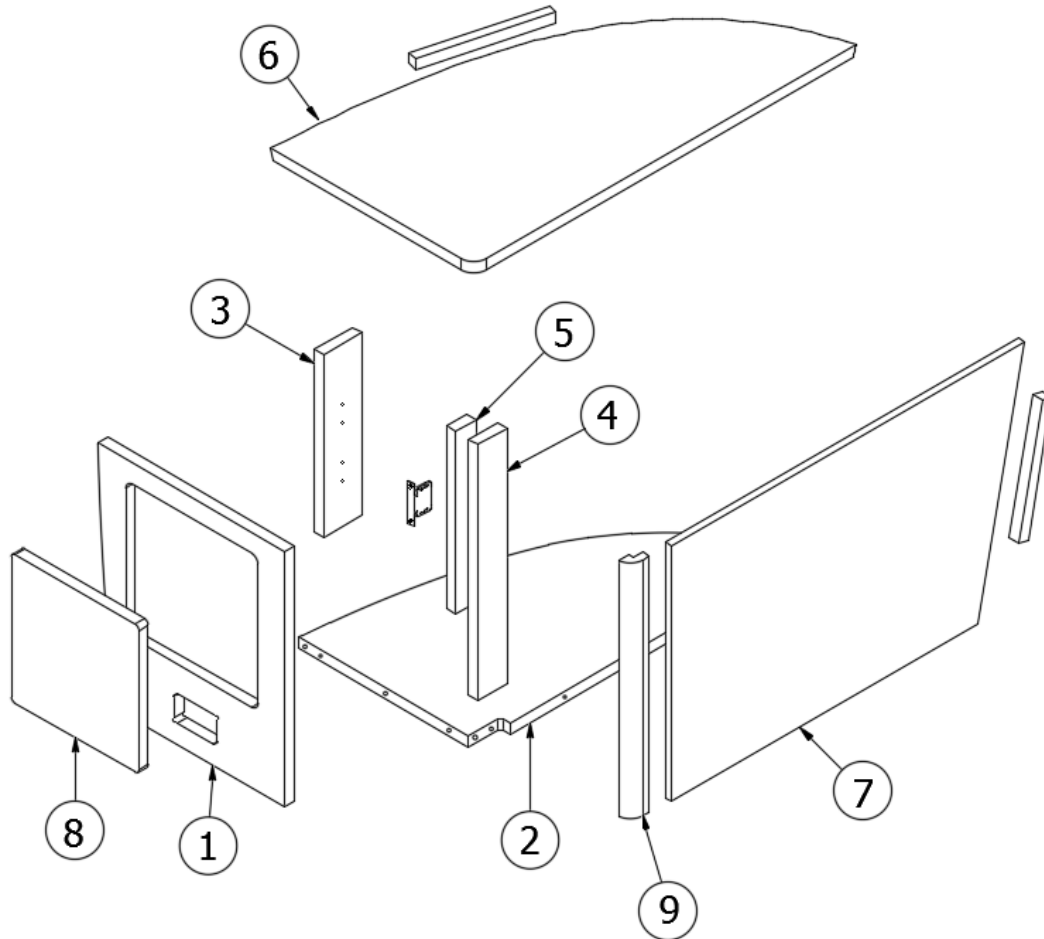
969286

Ass'y - Nightstand

- |     |                 |   |
|-----|-----------------|---|
| 1.  | 969286&000112BC | Panel, 20.25 X 7.25                     |
| 2.  | 969286&000212BC | Panel, 20.25 X 7.25                     |
| 3.  | 969286&000312CC | Panel, 18.50 X 7.25                     |
| 4.  | 969286&000418BC | Panel, 6.93 X 17.75, Drawer Front       |
| 5.  | 969286&000518BC | Panel, 20.00 X 22.20                    |
| 6.  | 969286&000618CC | Panel, 2.25 X 17.00                     |
| 7.  | 969286&000718CC | Panel, 2.25 X 17.00                     |
| 8.  | 969286&000818CC | Panel, 2.25 X 7.25                      |
| 9.  | 969286&000918CC | Panel, 2.25 X 7.25                      |
| 10. | 969286&001018CC | Panel, 3.00 X 11.38                     |
| 11. | 969286&001118CC | Panel, 3.00 X 11.38                     |
| 12. | 801706-0040     | Corner Trim 90 Deg Rad Blk Walnut       |
|     | 801706-0041     | Corner Trim 90deg 1" Rad Nat Elm        |
|     | 382807-06       | Drawer slide, Self-close, 12"           |
|     | 382807-01       | Fixing clip, Left front                 |
|     | 382807-02       | Fixing clip, Right front                |
|     | 969705-06       | Drawer box, 4 x 16.38 x 15.38"          |
|     | 381228-02       | Catch Grabber Door C3-805 5#            |
|     | 382521          | Handle-Tab Pull Pol Chrome W/Screws GLO |
|     | 365386-02       | Edgebanding, Linen, 15/16"              |
|     | 365429-02       | Edgebanding 15/16: Blk Walnut           |
|     | 365426-02       | Edgebanding-15/16" Natl Elm             |

# 2022 GLOBETROTTER FURNITURE, BEDROOM

Nightstand, LH, 27FB, 30RB



968726

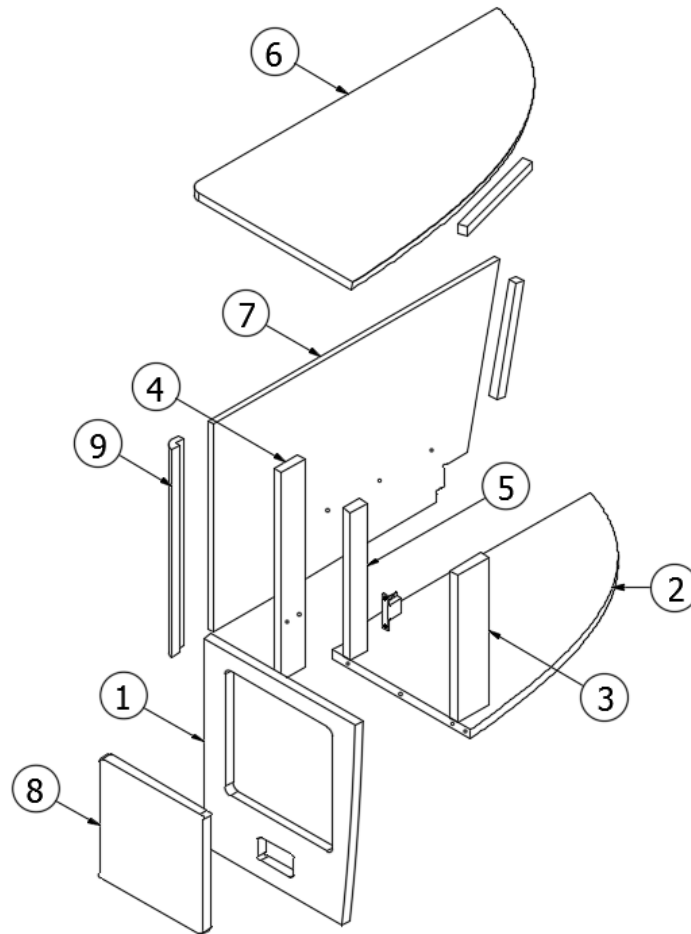
LH Nightstand

- |                    |                                   |
|--------------------|-----------------------------------|
| 1. 968726&000118BC | Panel, 14.69 x 17.38              |
| 2. 968726&000218CC | Panel, 14.13 x 25.7               |
| 3. 968726&000318CC | Panel, 3 x 12.38                  |
| 4. 968726&000418CC | Panel, 2.25 x 17.38               |
| 5. 968726&000518CC | Panel, 1.63 x 12.38               |
| 6. 968726&000618BC | Panel, 16.01 x 30                 |
| 7. 968726&000712BC | Panel, 27.74 x 17.38              |
| 8. 968726&000818BC | Panel, 10 x 10.07                 |
| 9. 968726&0009T06A | Corner trim, 90°, 1 radius        |
| 801706-0040        | Corner Trim 90 Deg Rad Blk Walnut |
| 801706-0041        | Corner Trim 90deg 1" Rad Nat Elm  |
| 382522             | Pull, New Haven                   |
| 381607-11          | Hinge, Self-close                 |
| 381228-02          | Catch, Grabber door, (5lb Pull)   |
| 365429-02          | Edgebanding 15/16: Blk Walnut     |
| 365426-02          | Edgebanding-15/16" Natl Elm       |



# 2022 GLOBETROTTER FURNITURE, BEDROOM

Nightstand, RH, 27FB



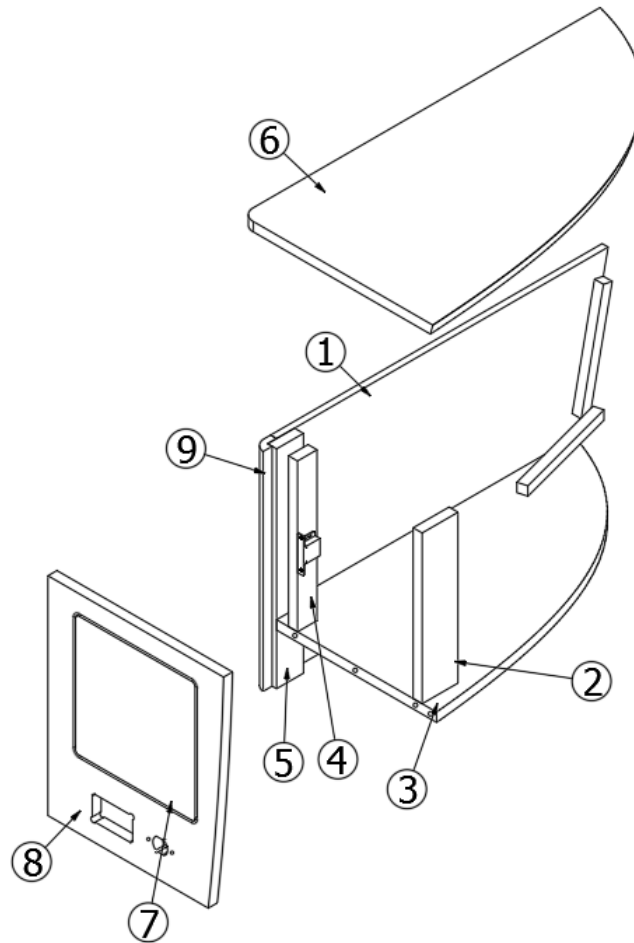
968727

RH Nightstand

- |                    |                                   |
|--------------------|-----------------------------------|
| 1. 968727&000118BC | Panel, 14.69 x 17.38              |
| 2. 968727&000218CC | Panel, 14.13 x 25.7               |
| 3. 968727&000318CC | Panel, 3 x 12.38                  |
| 4. 968727&000418CC | Panel, 2.25 x 17.38               |
| 5. 968727&000518CC | Panel, 1.63 x 12.38               |
| 6. 968727&000618BC | Panel, 16.01 x 30                 |
| 7. 968727&000712BC | Panel, 27.74 x 17.38              |
| 8. 968727&000818BC | Panel, 10 x 10.07                 |
| 9. 968727&0009T06A | Corner trim, 90°, 1 radius        |
| 801706-0040        | Corner Trim 90 Deg Rad Blk Walnut |
| 801706-0041        | Corner Trim 90deg 1" Rad Nat Elm  |
| 382522             | Pull, New Haven                   |
| 381607-11          | Hinge, Self-close                 |
| 381228-02          | Catch, Grabber door, (5lb Pull)   |
| 365429-02          | Edgebanding 15/16: Blk Walnut     |
| 365426-02          | Edgebanding-15/16" Natl Elm       |

# 2022 GLOBETROTTER FURNITURE, BEDROOM

## Nightstand, RH, 30RB



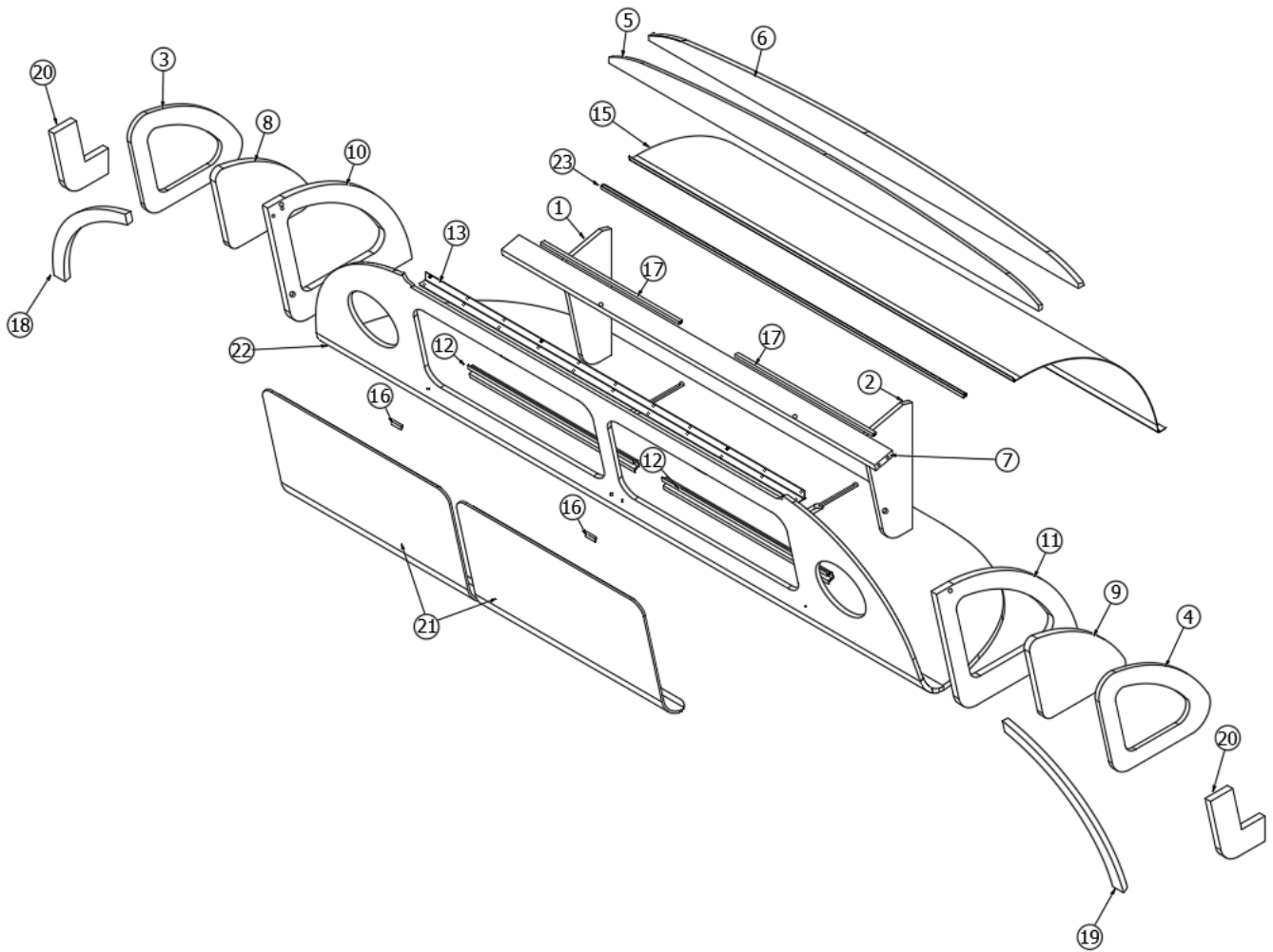
969287

Assembly, Nightstand RH

- |    |                 |                                     |
|----|-----------------|-------------------------------------|
| 1. | 969287&000112BC | Pre Laminate- 0.50 X 27.74 X 17.38  |
| 2. | 969287&000218CC | Pre Laminate- 0.75 X 3.00 X 12.38   |
| 3. | 969287&000318CC | Pre Laminate- 0.75 X 14.13 X 25.70  |
| 4. | 969287&000418CC | Pre Laminate- 0.75 X 1.63 X 12.38   |
| 5. | 969287&000518CC | Pre Laminate- 0.75 X 2.25 X 17.38   |
| 6. | 969287&000618BC | Pre Laminate- 0.75 X 16.01 X 30.00  |
| 7. | 969287&000718BC | Pre Laminate- 0.75 X 10.00 X 10.07  |
| 8. | 969287&000818BC | Pre Laminate- 0.75 X 14.69 X 17.38  |
| 9. | 801706-0040     | Corner Trim 90 Deg Rad Blk Walnut   |
|    | 801706-0041     | Corner Trim 90deg 1" Rad Nat Elm    |
|    | 382522          | Pull, New Haven                     |
|    | 381607-11       | Hinge, Self-close                   |
|    | 381228-02       | Catch, Grabber door, (5lb Pull)     |
|    | 203985          | Molding-T Flexible 13/16" Hol White |

# 2022 GLOBETROTTER FURNITURE, BEDROOM

## Roof Locker, Front Endliner, 23FB



Parts Listed on Next Page

## 2022 GLOBETROTTER FURNITURE, BEDROOM

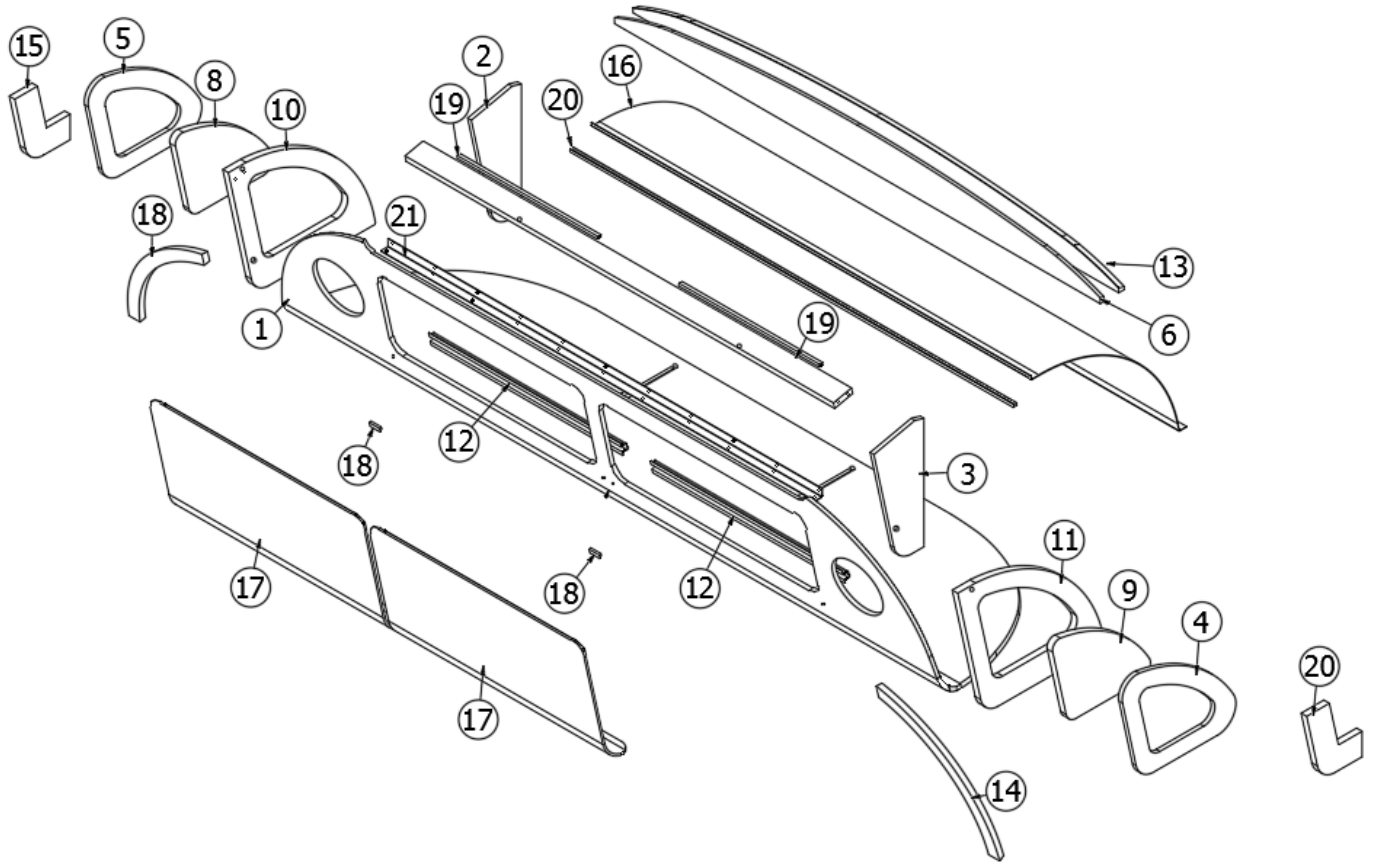
### Roof Locker, Front Endliner, 23FB

968968                      Bedroom Roof Locker, 23FB

- |     |                 |  |
|-----|-----------------|--|
| 1.  | 968968&000112CC | Panel, 6.79 X 15.44                      |
| 2.  | 968968&000212CC | Panel, 6.79 X 15.44                      |
| 3.  | 968968&000312CC | Panel, 12.60 X 15.37                     |
| 4.  | 968968&000412CC | Panel, 12.60 X 15.37                     |
| 5.  | 968968&000512GE | Panel, 3.87 X 59.25                      |
| 6.  | 968968&000618CC | Panel, 3.74 X 59.25                      |
| 7.  | 968968&000718CC | Panel, 2.50 X 51.50                      |
| 8.  | 968968&000818CC | Panel, 10.48 X 13.25                     |
| 9.  | 968968&000918CC | Panel, 10.48 X 13.25                     |
| 10. | 968968&001018CC | Panel, 16.00 X 19.94                     |
| 11. | 968968&001118CC | Panel, 16.00 X 19.94                     |
| 12. | 101401          | Extrusion, Door Latch Housing/Stoneguard |
| 13. | 114812          | Alum. Angle 1" X 1 "X 12"                |
| 14. | 968968&001401CE | Laminate 22.65 X 54.50                   |
| 15. | 115264-08       | Pan-Liner Locker                         |
| 16. | 513259          | Switch- 12VDC Magnetic #AP-SWI-105       |
| 17. | 513297-19       | Kit-Luna Light & Track 1'7"              |
| 18. | 968968&001818CC | Pre laminate, .75 x 13.25 x 16.02"       |
| 19. | 968968&001918CC | Pre laminate, .75 x 13.25 x 16.02"       |
| 20. | 968968&002018CC | Pre laminate, .75 x 7.5 x 8.5"           |
| 21. | 802356-0040     | Door-Curved Overhead Black Walnut        |
|     | 802356-0041     | Door-Curved Overhead Natural Elm         |
| 22. | 802400          | Face-Bedroom Endliner                    |
| 23. | 513297-50       | Kit- 3000k Luna Light & Track            |
|     | 381607-12       | Baseplate-Grass 9.5x37/32                |
|     | 381607-14       | Hinge Nickel Plated Self Closing         |
|     | 381688          | Bumpon                                   |
|     | 382525-01       | Bracket-Ball Stud Mounting               |
|     | 382525-02       | Bracket-90 Deg Mounting                  |
|     | 382525-04       | Gas Spring-Black Carbon Steel 20#        |
|     | 365386-01       | Edgebanding, Linen, 5/8"                 |
|     | 365386-02       | Edgebanding, Linen, 15/16"               |
|     | 203445          | T-Molding Blk Flexible Poly .56"         |
|     | 998241-01       | Leatherette/Fabric /Welt Cord Assy. 230" |
|     | 998241-03       | Leatherette Fabric/Welt Cord 62"         |

# 2022 GLOBETROTTER FURNITURE, BEDROOM

Roof Locker, Front Endliner, 25FB, 27FB, 30RB



Part Numbers on Next Page

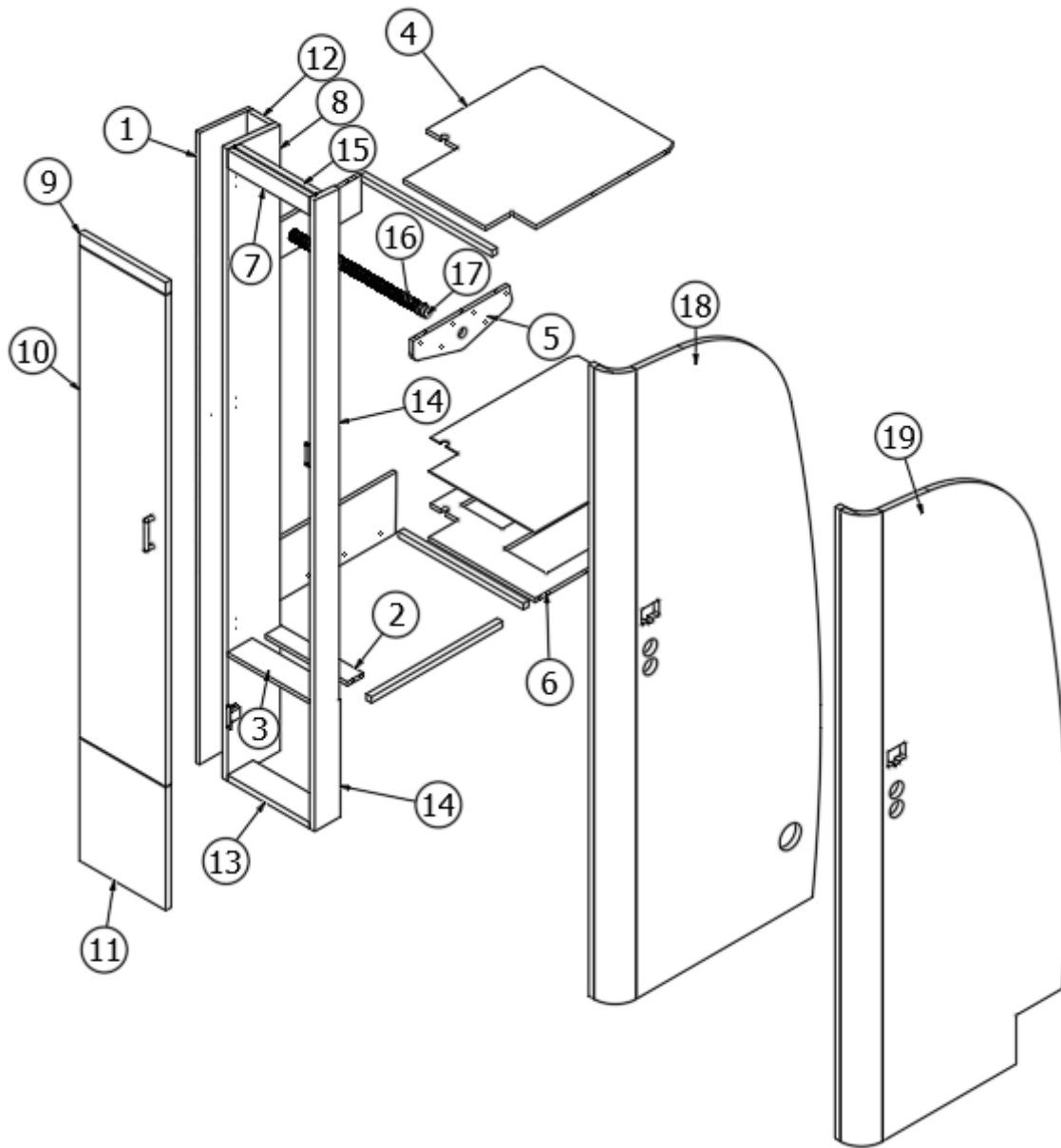
## 2022 GLOBETROTTER FURNITURE, BEDROOM

### Roof Locker, Front Endliner, 25FB, 27FB, 30 RB

968917	Assembly, Front Endliner
1. 802373	Front Endliner Face
2. 968917&000212CC	6.79 X 15.44 EB1-A01
3. 968917&000312CC	6.79 X 15.44 EB1-A01
4. 968917&000412CC	12.60 X 15.37
5. 968917&000512CC	12.60 X 15.37
6. 968917&000612GE	4.55 x 65.75
7. 968917&000718CC	2.50 X 58.00 EB2-A01
8. 968917&000818CC	10.78 X 14.53
9. 968917&000918CC	10.78 X 14.53
10. 968917&001018CC	16.00 X 19.94
11. 968917&001118CC	16.00 X 19.94
12. 101401	Extrusion, Door Latch Housing/Stone
13. 801351	Panel, 4.43 x 65.75
14. 968917&002018CC	Pre laminate, .75 x 13.25 x 16.02"
15. 968917&001918CC	Pre laminate, .75 x 13.25 x 16.02"
16. 115264-07	Pan, Liner Locker W/B Front
17. 802245-0040	Overhead Door Assembly, Black Walnut
802245-0041	Overhead Door Assembly, Natural Elm
18. 513259	Magnet Switch
19. 513297-19	Kit, Luna Light and Track, 19"
20. 513333-60	Kit, Luna Light and Plastic Track
21. 115958	Header Bracket
203445	T-Molding Blk Flexible Poly .56"
365386-01	Edgebanding, Linen, 5/8"
968917&001701CE	Laminate, 21.00 X 62.25
381607-14	Grass European Hinge
382525-01	Ball Stud Mounting Bracket
382525-02	90 Degree Mounting Bracket
382525-04	Stainless Steel Gas Spring, 10 lb
381688	Bumpons
998241-01	Leatherette/Fabric /Welt Cord Assy
998241-03	Leatherette/Fabric /Welt Cord Assy
381607-12	Baseplate
381607-16	85 degree Angle Reduction Clip

# 2022 GLOBETROTTER FURNITURE, BEDROOM

Wardrobe, RS Bedroom 23FB



Parts listed on next page

## 2022 GLOBETROTTER FURNITURE, BEDROOM

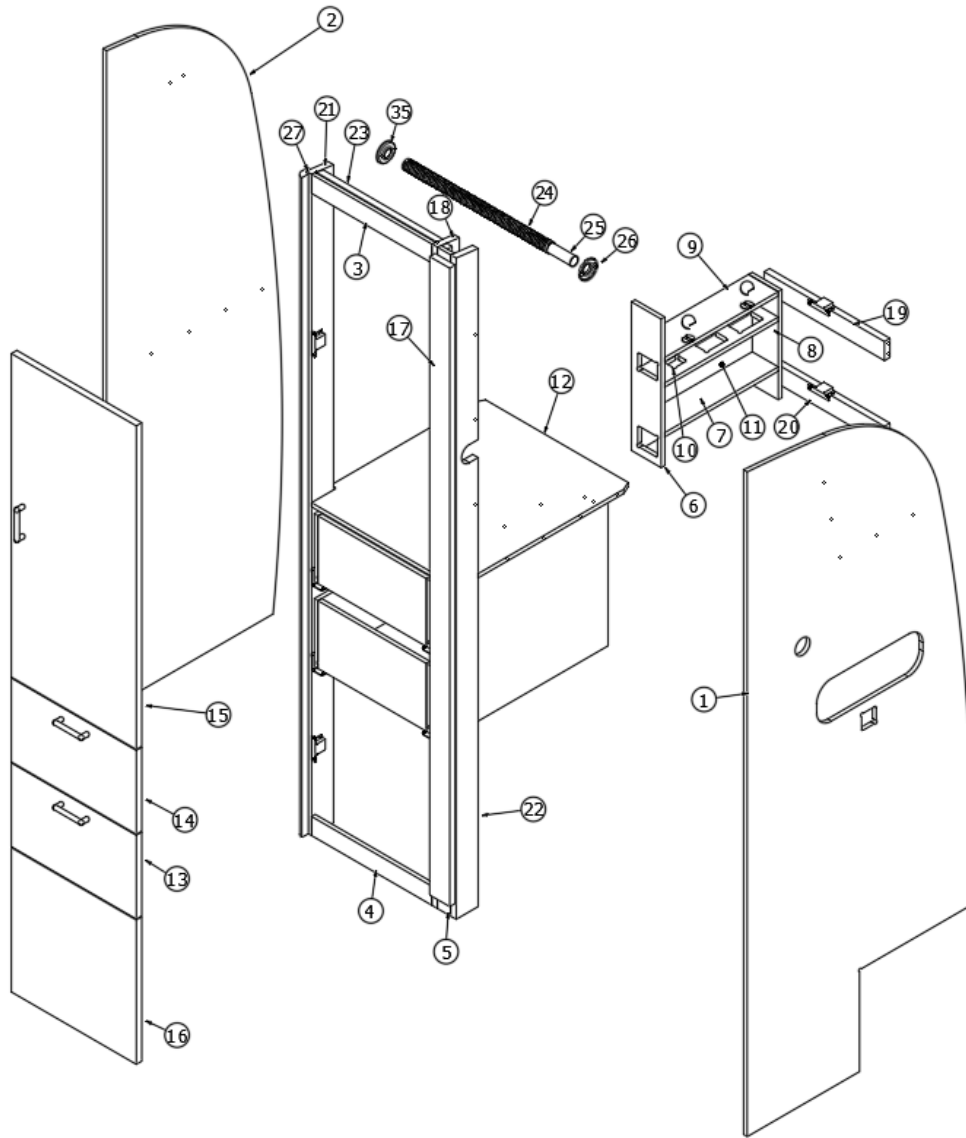
### Wardrobe, RS Bedroom 23FB

<p>969566-01 969566-02</p> <p>1. 969566&amp;000112BC 2. 969566&amp;000212CC 3. 969566&amp;000312CC 4. 969566&amp;000412CC 5. 969566&amp;000512CC 6. 969566&amp;000612CC 7. 969566&amp;000718BC 8. 969566&amp;000818BC 9. 969566&amp;000918BC 10. 969566&amp;001018BC 11. 969566&amp;001118BC 12. 969566&amp;001218BC 13. 969566&amp;001318CC 14. 969566&amp;001418CC 15. 104821 16. 200975-04 17. 380045 18. 969011-01 19. 969011-02 203138-05 365429-01 365426-01 365429-02 365426-02 382522 381228 381607-11 381607-12 381607-16 701538-01</p>	<p>Wardrobe RS 23FBGLO Queen Wardrobe Assy - RS - Twin</p> <p>Prelam 28.00 X 77.69 Panel, 2.25 X 11.65 Panel, .50 X 11.65 X 3.50 Panel, 23.75 X 19.59 Panel, 4.50 X 14.00 Panel, 24.75 X 19.09 Panel, 11.65 X 2.25 Panel, 7.50 X 77.69 Panel, 12.27 X 1.49 DOOR-12.27 X 60.37 DOOR-12.27 X 15.08 Panel, 3.25 X 76.99 Panel, 3.63 X 11.65 Panel, 3.63 X 77.63 Aluminum Angle Conduit, Flexible Tubing Elec Metallic Sub Assembly-RS Wardrobe, Queen Sub Assembly-RS Wardrobe, Twin Extrusion, Plastic 1/2" Wall Edgebanding 5/8 Blk Walnut Edbanding-5/8 Natl Elm Edgebanding 15/16: Blk Walnut Edgebanding-15/16" Natl Elm Pull W/Screws - New Haven M516 Black Catch Grabber 10 lb Hinge-Self Close Overlay 110D Baseplate-Grass 9.5X37/32 Clip-Steel Grass Hinge Carpet-Econoline w/PSA Backing</p>
--	---



# 2022 GLOBETROTTER FURNITURE, BEDROOM

## Wardrobe, CS Bedroom 23FB



968985

Assembly - Wardrobe, Queen CS

- |    |                 |                                   |
|----|-----------------|-----------------------------------|
| 1. | 968985&000112BB | Pre Laminate-45.73 X 78.67        |
| 2. | 968985&000212BC | Pre Laminate-23.98 X 77.77        |
| 3. | 968985&000318BC | Pre laminate, .75 x 2.13 x 20.5"  |
| 4. | 968985&000412BC | Pre Laminate-2.25 X 16.44         |
| 5. | 968985&000512BC | Pre Laminate- 0.50 X 1.81 X 77.96 |
| 6. | 968985&000612BC | Panel, 17.52 X 4.06               |
| 7. | 968985&000712BC | Pre Laminate- 0.50 X 3.56 X 15.50 |
| 8. | 968985&000812BC | Panel, 12.75 X 4.06               |

Parts Continued on Next Page

## 2022 GLOBETROTTER FURNITURE, BEDROOM

### Wardrobe, CS Bedroom 23FB

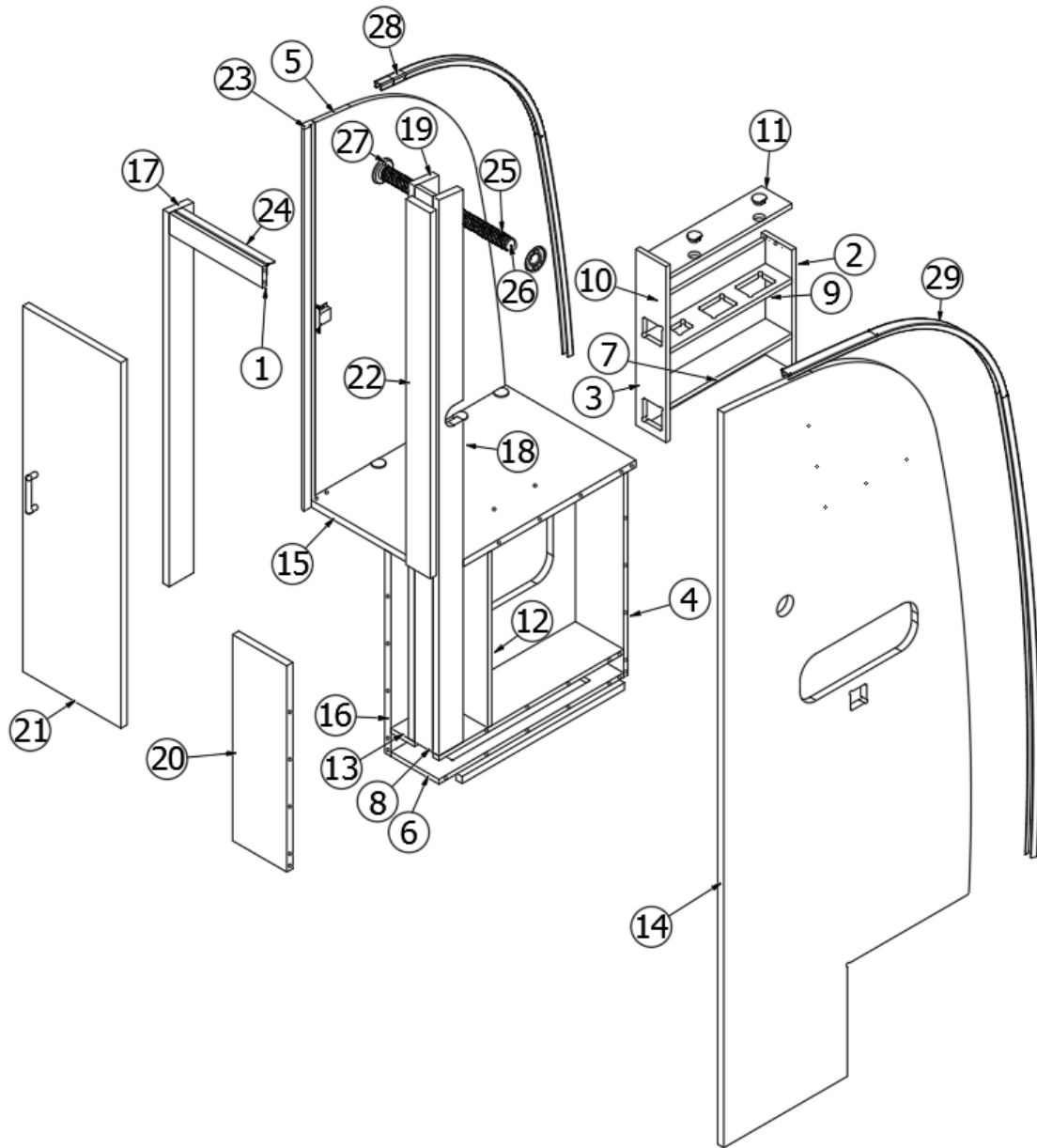
968985

Assembly - Wardrobe, Queen CS

9.	968985&000912BC	Panel, 4.06 X 15.50
10.	968985&001012BC	Panel, 3.56 X 15.50
11.	968985&001112BC	Panel, 12.25 X 15.50
12.	968985&001212CC	Pre Laminate-20.50 X 24.00
13.	968985&001318BC	Pre Laminate- 0.75 X 17.06 X 9.88
14.	968985&001418BC	Pre Laminate- 0.75 X 17.06 X 9.88
15.	968985&001518BC	Pre Laminate- 0.75 X 17.06 X 38.13
16.	968985&001618BC	Pre Laminate- 0.75 X 17.06 X 17.00
17.	968985&001718BC	Pre Laminate- 0.75 X 2.75 X 75.27
18.	968985&001818CC	Pre Laminate-23.31 X 77.96
19.	968985&001918CC	Pre Laminate-2.25 X 16.44
20.	968985&002018CC	Pre Laminate-2.25 X 16.44
21.	968985&002118CC	Pre Laminate-22.56 X 77.96
22.	968985&002218CC	Pre Laminate-3.00 X 77.96
23.	104821	Aluminum Angle
24.	200975-04	Conduit, Flexible Black Plastic
25.	380045	Tubing
26.	380046	Flange Chrome
27.	801706	Hardwood Radius
	365429-01	Edgebanding 5/8 Blk Walnut
	365426-01	Edbanding-5/8 Natl Elm
	365429-02	Edgebanding 15/16: Blk Walnut
	365426-02	Edgebanding-15/16" Natl Elm
	203445	T-Molding Blk Flexible Poly .56"
	203138-03	Extrusion, Wall, Plastic, Beige
	203138-09	Extrusion, Wall, Plastic, Brown
	382522	Pull W/Screws - New Haven M516
	382057-04	Cap-Knockdown Wht #16387
	381228	Black Catch Grabber 10 lb
	381607-11	Hinge-Self Close Overlay 110D
	381607-12	Baseplate-Grass 9.5X37/32
	381607-16	Clip-Steel Grass Hinge
	381228-02	Black Catch Grabber, 3 Lb.
	382057	Knockdown, 8MM
	382807-09	Drawer slide, Self-close, 21"
	382807-01	Fixing clip, Left front
	382807-02	Fixing clip, Right front
	969708-02	Drawer box, 8 x 21 x 15.82"

# 2022 GLOBETROTTER FURNITURE, BEDROOM

## Hanging Wardrobe, CS Bedroom 23FB Twin



968975

Ass'y - Hanging Wardrobe

- |    |                 |                                   |
|----|-----------------|-----------------------------------|
| 1. | 968975&000112BC | Pre Laminate-2.25 X 11.49         |
| 2. | 968975&000212BC | Panel, 12.75 X 3.75               |
| 3. | 968975&000312BC | Panel, 18.75 X 3.75               |
| 4. | 968975&000412BC | Pre Laminate-5.93 X 21.50         |
| 5. | 968975&000512BC | Pre Laminate-23.44 X 40.07        |
| 6. | 968975&000612BC | Pre Laminate-22.25 X 5.93         |
| 7. | 968975&000712BC | Pre Laminate- 0.50 X 3.25 X 15.00 |
| 8. | 968975&000812BC | Pre Laminate-2.25 X 39.42         |

Parts Continued on Next Page

## 2022 GLOBETROTTER FURNITURE, BEDROOM

### Hanging Wardrobe, CS Bedroom 23FB Twin

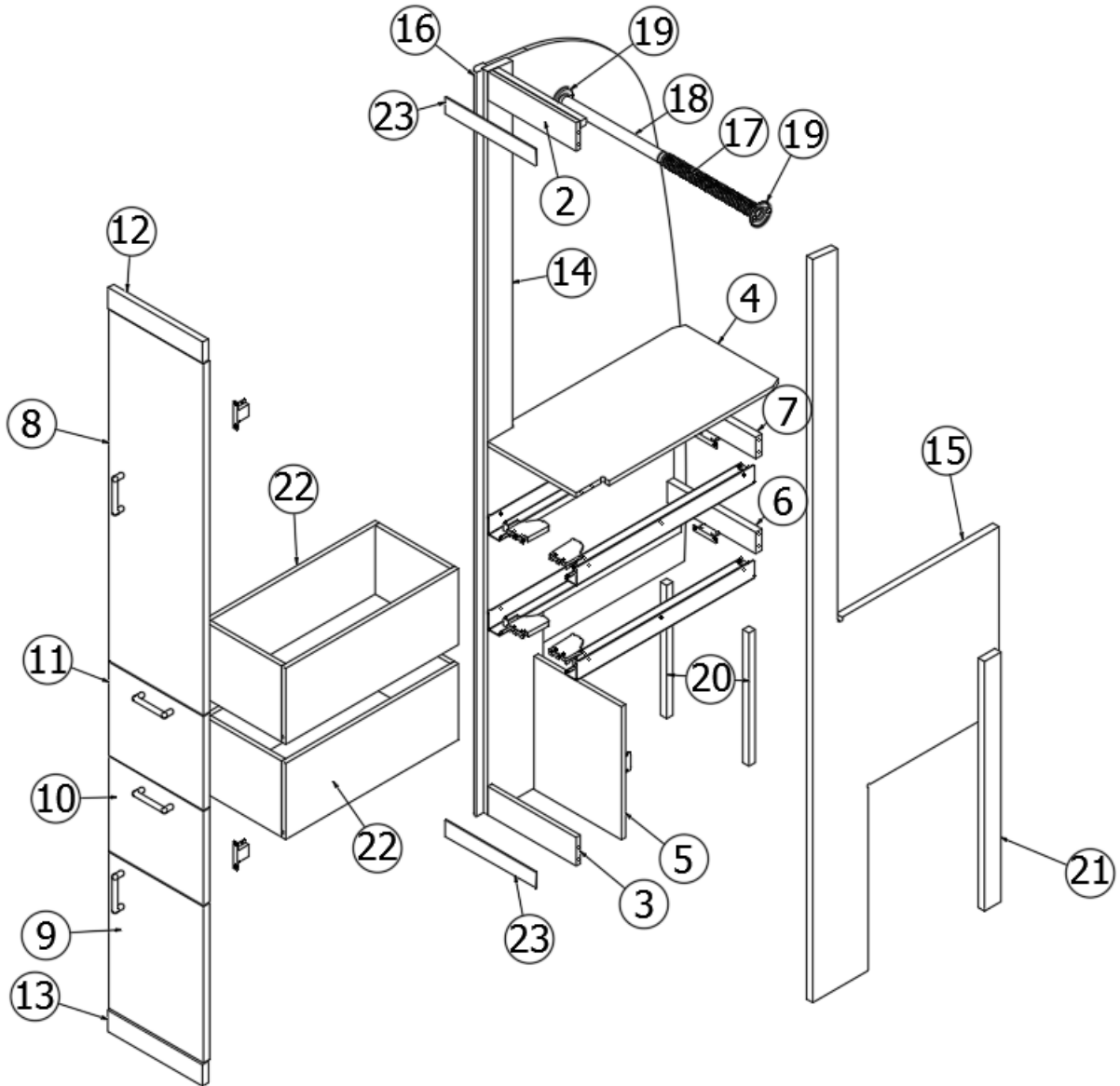
968975

Ass'y - Hanging Wardrobe

9.	968975&000912BC	Panel, 3.25 X 15.00
10.	968975&001012BC	Panel, 12.25 X 15.00
11.	968975&001112CC	Panel, 3.75 X 15.00
12.	968975&001212CC	Panel, 18.50 X 3.75
13.	968975&001312CC	Pre Laminate-21.25 X 5.93
14.	968975&001418BB	Pre Laminate-30.47 X 78.19
15.	968975&001518BC	Pre Laminate-24.27 X 16.00
16.	968975&001618BC	Pre Laminate-24.57 X 21.50
17.	968975&001718CC	Pre Laminate-3.00 X 39.42
18.	968975&001818CC	Pre Laminate-3.00 X 59.67
19.	968975&001918CC	Pre Laminate-3.00 X 59.67
20.	968975&002018BC	Pre Laminate-6.68 X 21.50
21.	968975&002118BC	Pre Laminate-12.12 X 38.55
22.	968975&002218BC	Pre Laminate-3.31 X 38.55
23.	801706-0040	Corner Trim 90 Deg Rad Blk Walnut
	801706-0041	Corner Trim 90 deg 1" Rad Nat Elm
24.	104821	Aluminum Angle
25.	200975-04	Conduit, Flexible Black Plastic
26.	380045	Tubing
27.	380046	Flange, Chrome
28.	203138-03	Extrusion, Wall, Plastic, Beige
	203138-09	Extrusion, Wall, Plastic, Brown
29.	203464-02	Trim-Pnl .75" Beige PVC
	382057-04	Cap-Knockdown White #16387
	382522	Pull W/Screws - New Haven M516
	365429-01	Edgebanding 5/8 Blk Walnut
	365426-01	Edbanding-5/8 Natl Elm
	365429-02	Edgebanding 15/16: Blk Walnut
	365426-02	Edgebanding-15/16" Natl Elm
	203445	T-Molding Blk Flexible Poly .56"
	203445-08	T-Trim, Brown, 9/16"
	381228	Black Catch Grabber 10 lb
	381607-11	Hinge-Self Close Overlay 110D
	381607-12	Baseplate-Grass 9.5X37/32
	381607-16	Clip-Steel Grass Hinge
	381228-02	Black Catch Grabber, 3 Lb.
	382057	Knockdown, 8mm

# 2022 GLOBETROTTER FURNITURE, BEDROOM

## Wardrobe, Bedroom 25FB



Parts Listed on Next Page

## 2022 GLOBETROTTER FURNITURE, BEDROOM

### Wardrobe, Bedroom 25FB

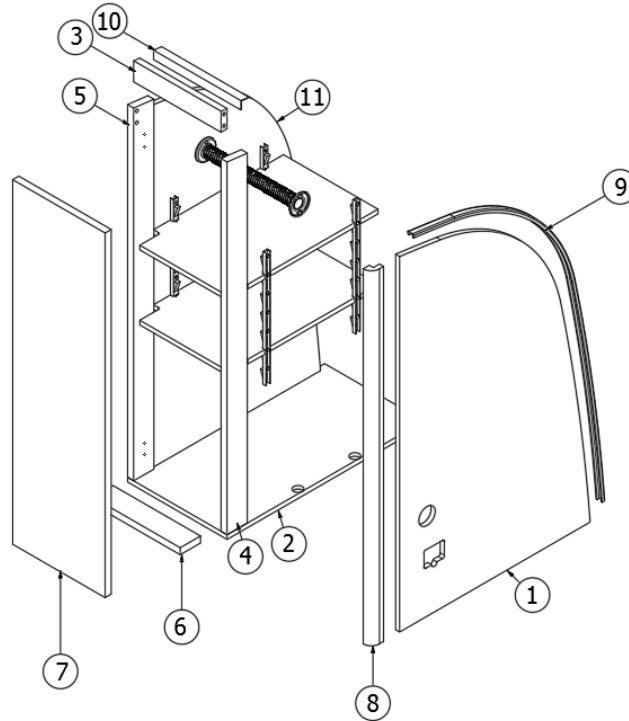
968919

Bedroom Wardrobe

1. 968919&000112BC	Panel, 24.09 X 77.96
2. 968919&000212BC	Panel, 3.00 X 10.75
3. 968919&000312BC	Panel, 3.00 X 10.75
4. 968919&000412CC	Panel, 24.31 X 12.25
5. 968919&000512CC	Panel, 10.63 X 14.00
6. 968919&000618CC	Panel, 2.25 X 10.75
7. 968919&000718CC	Panel, 2.25 X 10.75
8. 968919&000818BC	Panel, 11.50 X 36.96
9. 968919&000918BC	Panel, 11.50 X 16.44
10. 968919&001018BC	Panel, 11.50 X 9.88
11. 968919&001118BC	Panel, 11.50 X 9.88
12. 968919&001218BC	Pre Laminate- 0.75 X 11.50 X 2.25
13. 968919&001318BC	Pre Laminate- 0.75 X 11.50 X 2.25
14. 968919&001418CC	Panel, 78.18 X 22.63
15. 968919&001518CC	Panel, 78.18 X 22.63
16. 801706-0040	Corner Trim 90 Deg Rad Blk Walnut
801706-0041	Corner Trim 90deg 1" Rad Nat Elm
17. 200975-04	Conduit, Flexible Black Plastic
18. 380045	Tubing 3/4" Elec Metallic
19. 380046	Flange Chrome
20. 800025-01	Pine 3/4" X 3/4" Stained
21. 850082	Poplar, .75X2.00
22. 969708-04	Drawer box, 8 x 21 x 10.13"
23. 800507-01	Lauan, 1/8"X4'X8'
382522	Pull W/Screws - New Haven M516
203138-05	Extrusion, Wall, Plastic, Black
365429-01	Edgebanding 5/8 Blk Walnut
365426-01	Edbanding-5/8 Natl Elm
365429-02	Edgebanding 15/16: Blk Walnut
365426-02	Edgebanding-15/16" Natl Elm
203138-05	Extrusion-Plastic 1/2" Wall Black
381228-01	Catch Grabber Door C3-803
381607-11	Hinge-Self Close Overlay
381607-12	Baseplate-Grass
381607-16	Clip-Steel Grass Hinge
382807-09	Drawer slide, Self-close, 21"
382807-01	Fixing clip, Left front
382807-02	Fixing clip, Right front

# 2022 GLOBETROTTER FURNITURE, BEDROOM

## Hanging Linen Cabinet, 27FB Twin



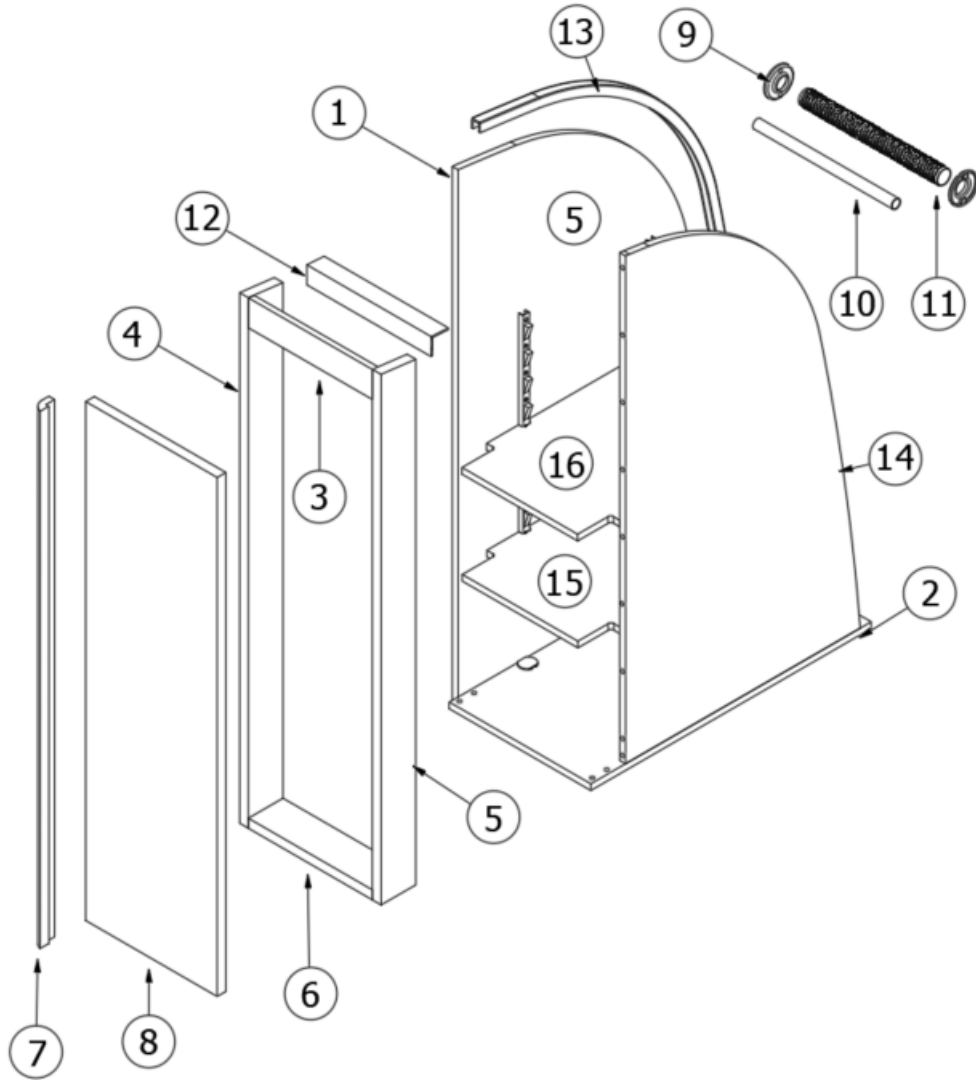
968860-02

Hanging Linen Cabinet

- |     |                 |                                   |
|-----|-----------------|-----------------------------------|
| 1.  | 968860&022312BC | Panel, 23.45 X 40.04              |
| 2.  | 968860&020212BC | Panel, 12.25 X 24.25              |
| 3.  | 968860&020318BC | Panel, 2.25 X 10.75               |
| 4.  | 968860&020618CC | Panel, 2.50 X 39.75               |
| 5.  | 968860&022718CC | Panel, 2.50 X 39.75               |
| 6.  | 968860&020818CC | Panel, 2.50 X 10.75               |
| 7.  | 968860&020918BC | Panel, 11.38 X 38.88              |
| 8.  | 801706-0040     | Corner Trim 90 Deg Rad Blk Walnut |
|     | 801706-0041     | Corner Trim 90deg 1" Rad Nat Elm  |
| 9.  | 203138-09       | Extrusion, Wall, Plastic, Brown   |
|     | 203138-03       | Extrusion, Wall, Plastic, Beige   |
| 10. | 115085          | Angle Aluminum, Roof locker       |
|     | 968860&022612BC | Panel, 21.54 X 39.29              |
|     | 968860&002512CC | Shelf, 18 x 11.25"                |
|     | 365429-01       | Edgebanding 5/8 Blk Walnut        |
|     | 365426-01       | Edbanding-5/8 Natl Elm            |
|     | 365429-02       | Edgebanding 15/16: Blk Walnut     |
|     | 365426-02       | Edgebanding-15/16" Natl Elm       |
|     | 382521          | Pull, Tab pull, Chrome            |
|     | 381228-02       | Catch Grabber                     |
|     | 381527          | Shelf Strip Speedy x 14.13        |
|     | 380046          | Flange, Chrome                    |
|     | 380045          | Tubing 3/4" Electrical Metallic   |
|     | 200975-05       | Conduit, Flexible Black Plastic   |

# 2022 GLOBETROTTER FURNITURE, BEDROOM

## Hanging Wardrobe, 27 FB, Twin



Parts Listed on Next Page



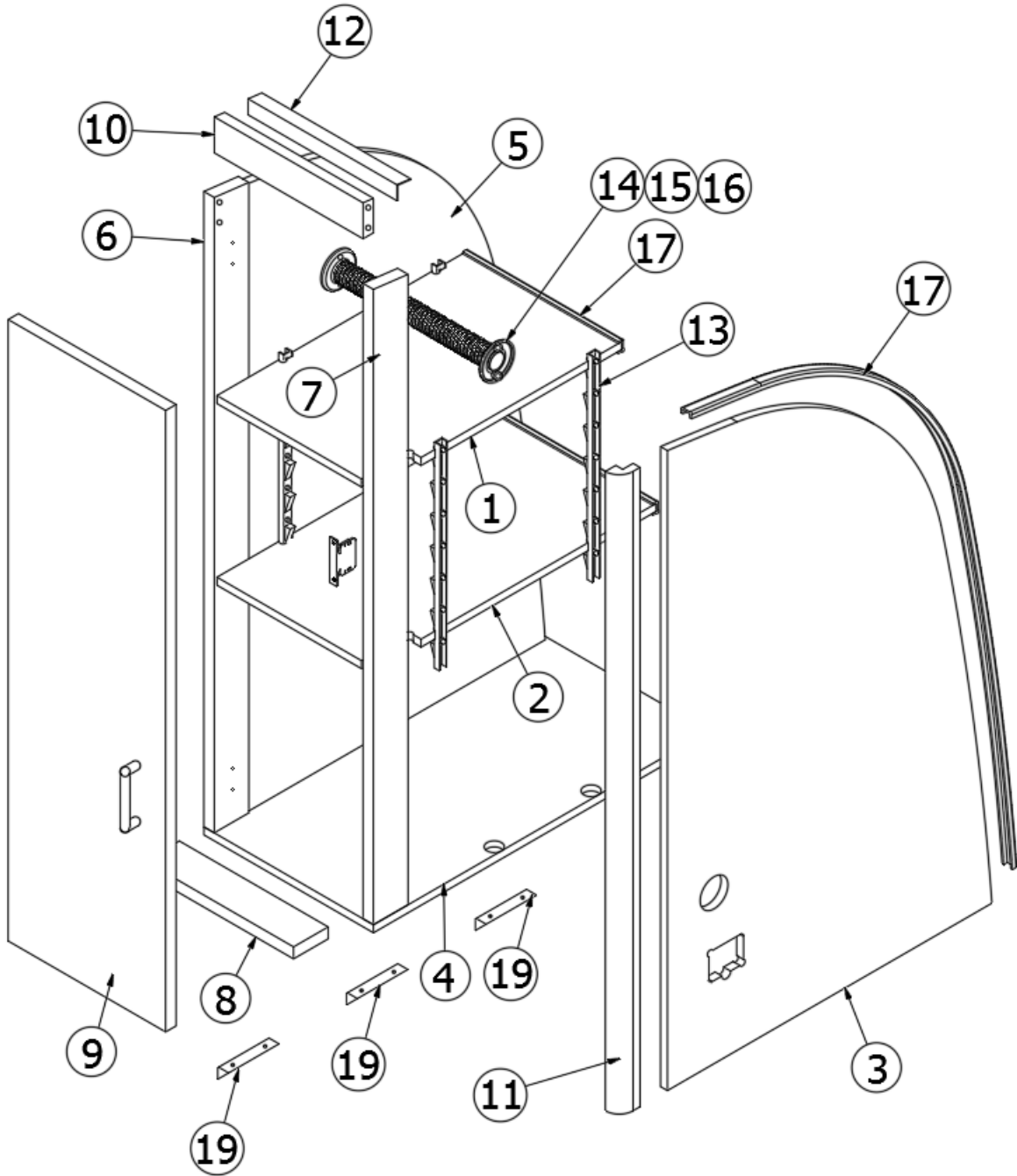
## 2022 GLOBETROTTER FURNITURE, BEDROOM

### Hanging Wardrobe, 27 FB, Twin

968859	Hanging Wardrobe, 27 FB, twin
1. 968859&000112BC	Panel 23.45 x 40.04
2. 968859&000212BC	Panel 12.25 x 24.27
3. 968859&000318BC	Panel 2.25 x 10.75
4. 968859&000418CC	Panel 3.00 x 39.75
5. 968859&000518CC	Panel 3.00 x 39.75
6. 968859&000618CC	Panel 10.75 x 3
7. 801706-0040	Corner Trim 90 Deg Rad Blk Walnut
801706-0041	Corner Trim 90deg 1" Rad Nat Elm
8. 968859&000918BC	Panel 11.38 x 38.88
9. 380046	Flange, Chrome
10. 380045	Tubing ¾" Electrical Metallic
11. 200975-04	Conduit, Flexible Black Plastic
12. 115085	24" Alum Angle Roof Locker
13. 203138-09	Extrusion, Wall, Plastic, Brown
203138-03	Extrusion, Wall, Plastic, Beige
14. 968859&002512BC	Panel 23.45 x 40.04
15. 968859&002612CC	Panel, 20.50 X 11.25
16. 968859&002712CC	Panel, 18.00 X 11.25
381228-01	Catch Grabber Door, C3-803
381607	Hinge Assembly, Grass
381527	Shelf Strip Speedy, x 18.13

# 2022 GLOBETROTTER FURNITURE, BEDROOM

## Hanging Wardrobe CS, 30RB, Twin



Parts Listed on the Next Page

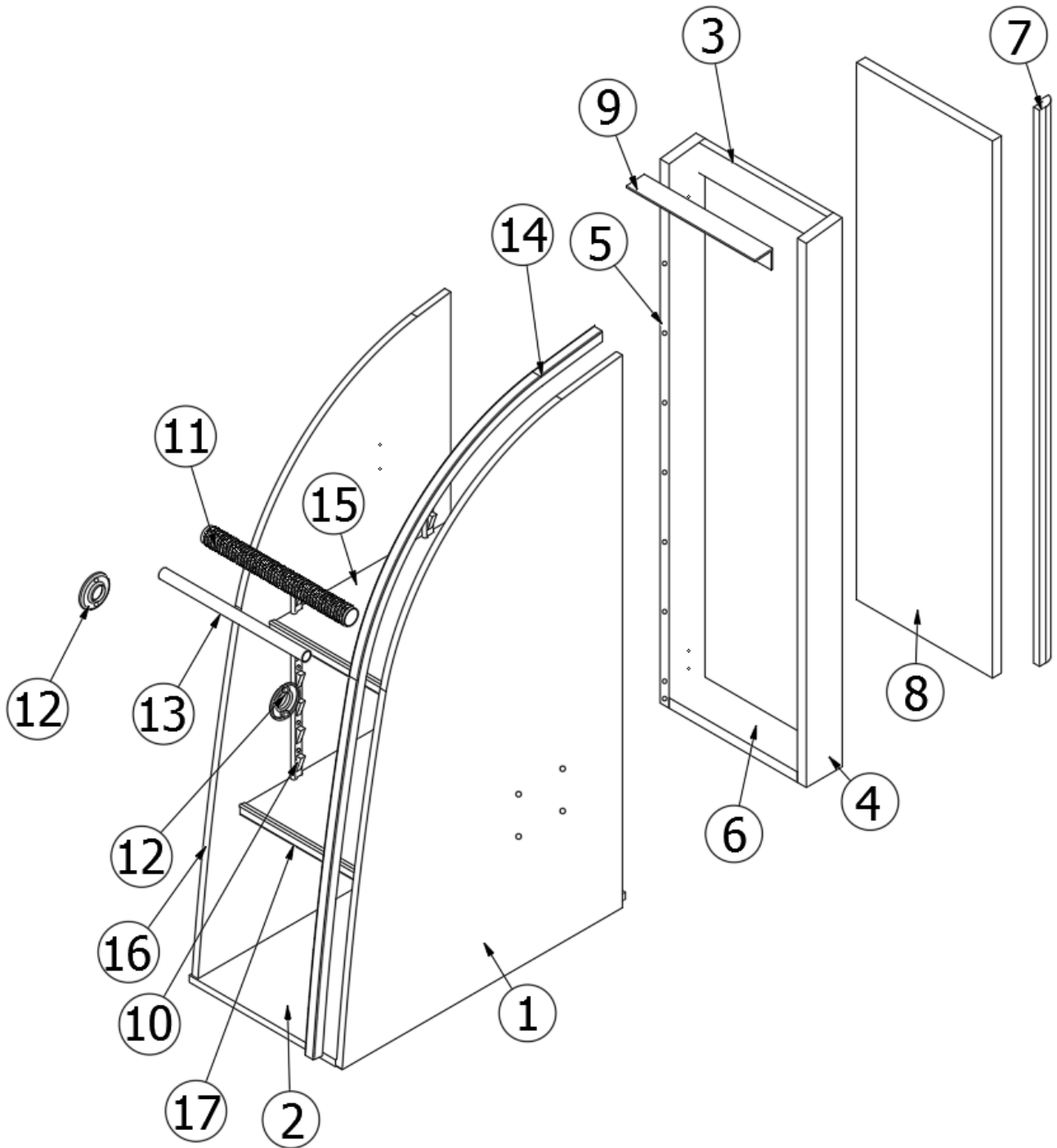
## 2022 GLOBETROTTER FURNITURE, BEDROOM

### Hanging Wardrobe CS, 30RB, Twin

968904-02	Wardrobe-Hanging CS 30 GLO
1. 968904&020112CC	Panel, 18.00 X 11.25
2. 968904&020212CC	Panel, 20.50 X 11.25
3. 968904&023012BC	Panel, 23.45 X 40.04
4. 968904&020412BC	Panel, 12.25 X 24.25
5. 968904&020612BC	Panel, 21.54 X 39.29
6. 968904&020718CC	Panel, 2.50 X 39.75
7. 968904&020818CC	Panel, 2.50 X 39.75
8. 968904&020918CC	Panel, 2.50 X 10.75
9. 968904&021018BC	Panel, 11.38 X 38.88
10. 968904&021118BC	Panel, 2.25 X 10.75
11. 801706-0040	Corner Trim 90 Deg Rad Black Walnut
801706-0041	Corner Trim 90 deg 1" Rad Nat Elm
12. 115085	Angle Aluminum - Rooflockers
13. 381527	Shelf Strips Speedy
14. 200975-05	Conduit, Flexible Black Plastic
15. 380046	Clothes Rod Bracket
16. 380045	Tubing 3/4" Elec Metallic
17. 203138-09	Extrusion, Wall, Plastic, Brown
18. 203138-03	Extrusion, Wall, Plastic, Beige
19. 386279	Brace-Corner .75X.75X3.5
382057	Knockdown 8MM
382057-04	Cap-Knockdown Wht #16387
381228-02	Catch Grabber Door C3-805 5#
380041	Brace 1" Stanley Corner
99900P-1444	Cover-Galley EX. FAN BLK
381607-11	Hinge-Self Close Overlay 110d
381607-12	Baseplate-Grass 9.5x37/32
382522	Pull W/Screws - New Haven M516
365429-01	Edgebanding 5/8 Blk Walnut
365426-01	Edbanding-5/8 Natl Elm
365429-02	Edgebanding 15/16: Blk Walnut
365426-02	Edgebanding-15/16" Natl Elm

# 2022 GLOBETROTTER FURNITURE, BEDROOM

## Hanging Wardrobe RS, 30RB, Twin



Parts Listed in Next Page

## 2022 GLOBETROTTER FURNITURE, BEDROOM

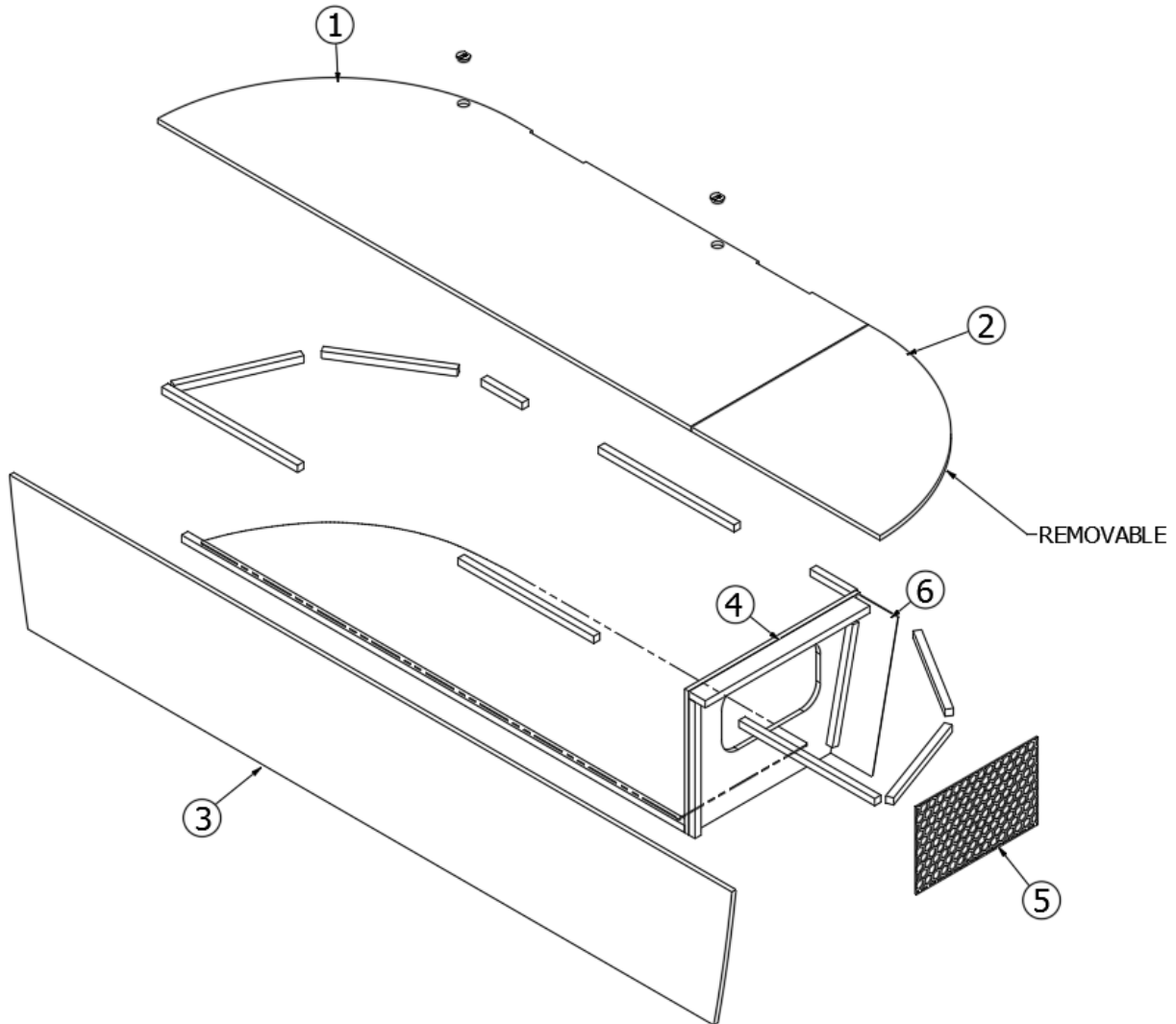
### Hanging Wardrobe RS, 30RB, Twin

968861-01                      Assembly - Hanging Wardrobe

- |     |                 |                                     |
|-----|-----------------|-------------------------------------|
| 1.  | 968861&003012BC | Panel, 23.45 X 40.04                |
| 2.  | 968861&000212BC | Panel, 12.25 X 24.27                |
| 3.  | 968861&000312BC | Panel, 2.25 X 10.75                 |
| 4.  | 968861&000418CC | Panel, 3.00 X 39.75                 |
| 5.  | 968861&000518CC | Panel, 3.00 X 39.75                 |
| 6.  | 968861&000618CC | Panel, 10.75 X 3.00                 |
| 7.  | 801706-0040     | Corner Trim 90 Deg Rad Black Walnut |
|     | 801706-0041     | Corner Trim 90 deg 1" Rad Nat Elm   |
| 8.  | 968861&000918BC | Panel, 11.38 X 38.88, Door          |
| 9.  | 104821          | Support, Rooflocker                 |
| 10. | 381527          | Shelf Strips Speedy                 |
| 11. | 200975-05       | Conduit, Flexible Black Plastic     |
| 12. | 380046          | Clothes Rod Bracket                 |
| 13. | 380045          | Tubing 3/4" Elec Metallic           |
| 14. | 203138-09       | Extrusion, Wall, Plastic, Brown     |
|     | 203138-03       | Extrusion, Wall, Plastic, Beige     |
| 15. | 968861&002012CC | Panel, 18.00 x 11.25                |
| 16. | 968861&002112BC | 23.45 X 40.04                       |
| 17. | 968861&002612CC | Shelf, Wardrobe 20.50 x 11.25       |
|     | 382057          | Knockdown 8MM                       |
|     | 382057-04       | Cap-Knockdown Wht #16387            |
|     | 381228-02       | Catch Grabber Door C3-805 5#        |
|     | 381607-11       | Hinge-Self Close Overlay 110d       |
|     | 381607-12       | Baseplate-Grass 9.5x37/32           |
|     | 382522          | Pull W/Screws - New Haven M516      |
|     | 365429-01       | Edgebanding 5/8 Blk Walnut          |
|     | 365426-01       | Edbanding-5/8 Natl Elm              |
|     | 365429-02       | Edgebanding 15/16: Blk Walnut       |
|     | 365426-02       | Edgebanding-15/16" Natl Elm         |
|     | 386279          | Brace-Corner .75X.75X3.5            |
|     | 380041          | Brace 1" Stanley Corner             |

# 2022 GLOBETROTTER FURNITURE, BEDROOM

## Storage Box, Twin, 23FB



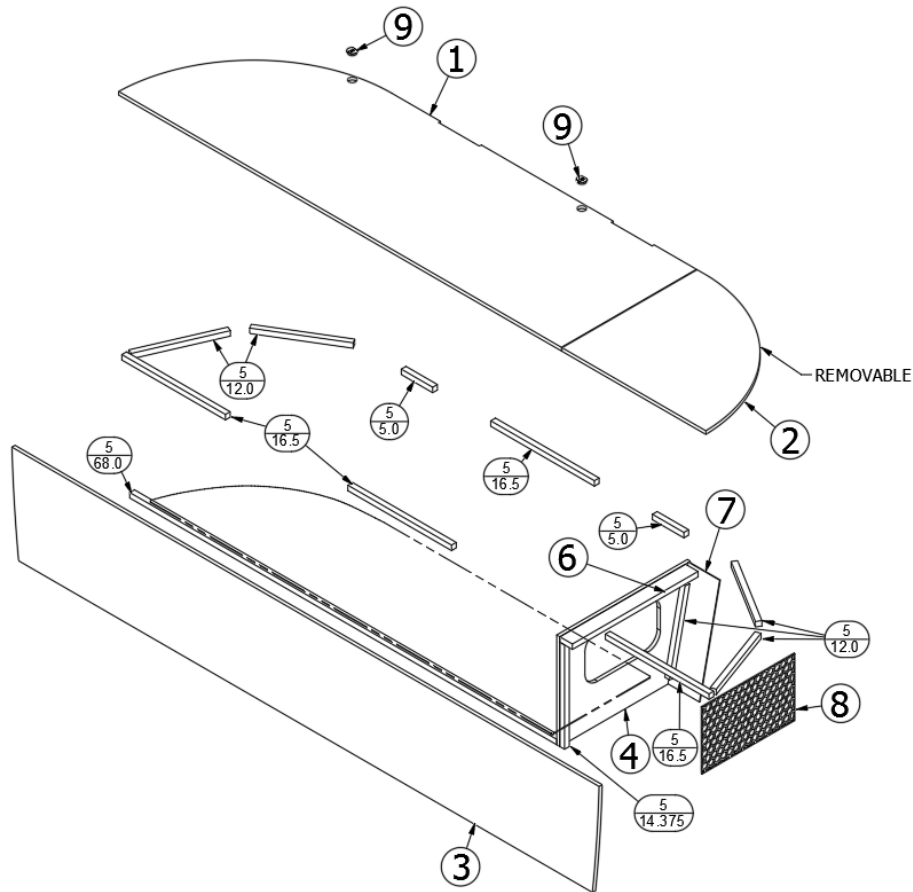
969047

Assembly - Front Storage Box

- |    |                 |  |
|----|-----------------|--|
| 1. | 969047&000112BC | Pre Laminate- 0.50 X 21.50 X 64.81         |
| 2. | 969047&000212BC | Pre Laminate- 0.50 X 21.50 X 22.87         |
| 3. | 969047&000312BC | Pre Laminate- 0.50 X 15.13 X 87.81         |
| 4. | 969047&000412CC | Pre Laminate- 0.50 X 15.13 X 20.81         |
| 5. | 203664-01       | Grill Screen, Plastic                      |
| 6. | 969047&001203CE | Panel-Frt Wht Vinyl/Raw 15.50 X 5 1/8 Luan |
|    | 114812          | Aluminum angle, 1 x 1 x 12"                |
|    | 382057          | Knockdown, 8MM                             |
|    | 701538          | Carpet, Ecoliner velour                    |
|    | 365429-01       | Edgebanding 5/8 Blk Walnut                 |
|    | 365426-01       | Edbanding-5/8 Natl Elm                     |
|    | 112671-34       | Compartment Liner Vinyl 23glo              |

# 2022 GLOBETROTTER FURNITURE, BEDROOM

## Storage Box, Twin 25FB, 27FB, 30RB



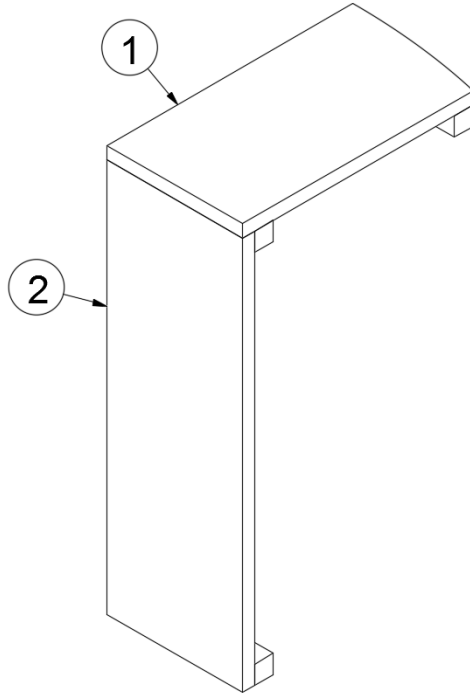
968953

### Assembly - Front Storage Box

- |    |                 |                                    |
|----|-----------------|------------------------------------|
| 1. | 968953&000112BC | Pre Laminate- 0.50 X 21.50 X 70.50 |
| 2. | 968953&000212BC | Pre Laminate- 0.50 X 21.50 X 22.87 |
| 3. | 968953&000312BC | Pre Laminate- 0.50 X 15.13 X 93.50 |
| 4. | 968953&000412CC | Pre Laminate- 0.50 X 15.13 X 20.81 |
| 5. | 800025-01       | Pine .75 x .75                     |
| 6. | 850082          | Poplar .75 x 2 x 2                 |
| 7. | 968953&001103CE | Panel Vinyl/Raw 15.50 X 5          |
| 8. | 203664-01       | Grill Screen Plastic               |
| 9. | 382057          | Knock Down                         |
|    | 365429-01       | Edgebanding 5/8 Blk Walnut         |
|    | 365426-01       | Edgebanding-5/8 Natl Elm           |
|    | 114812          | Aluminum angle, 1 x 1 x 12"        |
|    | 701538          | Carpet, Ecoliner                   |
|    | 112671-37       | Vinyl - Compartment Liner          |

# 2022 GLOBETROTTER FURNITURE, BEDROOM

## Bedroom Closeout



968357-40  
968357-41

Bedroom Closeout, Dark Walnut  
Bedroom Closeout, Natural Elm

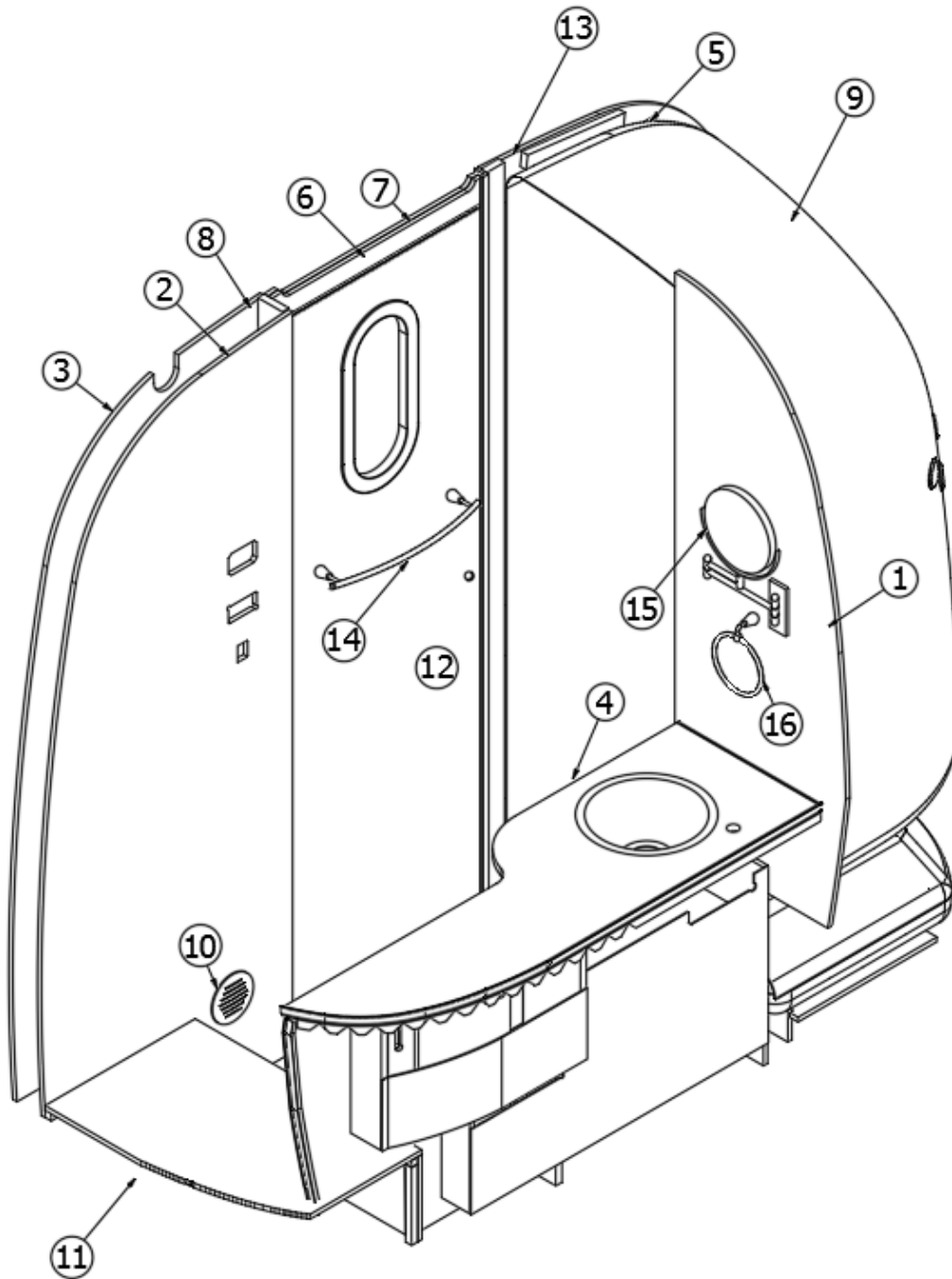
1. 968357&000112BC
  2. 968357&000212BC
- 365429-01  
365426-01

Panel, 5.5 x 10  
Panel, 5.5 x 16  
Edgebanding, .63", Dark Walnut  
Edgebanding, .63", Natural Elm



# 2022 GLOBETROTTER FURNITURE, LAVATORY

Bath Module, 23FB



Parts Listed on Next Page

## 2022 GLOBETROTTER FURNITURE, LAVATORY

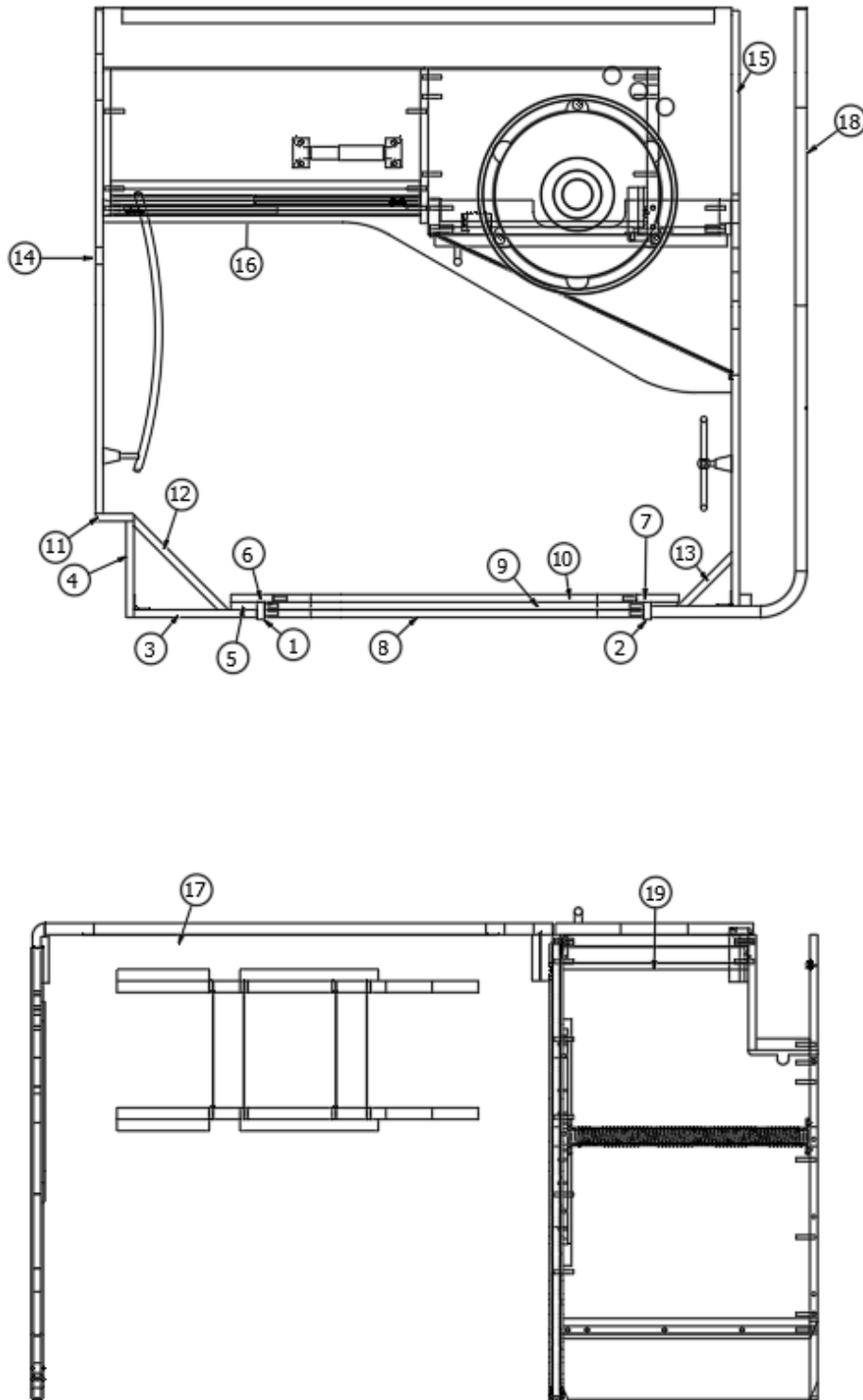
### Bath Module, 23FB

112956                      Install, Bath Panels, 23FB

- |     |                 |   |
|-----|-----------------|---|
| 1.  | 112956&000112HC | Pre Laminate- 0.50 X 20.92 X 78.08            |
| 2.  | 112956&000212HC | Pre Laminate-30.76 X 78.39                    |
| 3.  | 112956&000312BC | Pre Laminate-30.76 X 78.39                    |
| 4.  | 112956&000412HC | Pre Laminate- 0.50 X 21.50 X 8.75             |
| 5.  | 365429-01       | Edgebanding 5/8 Blk Walnut                    |
|     | 365426-01       | Edgbanding-5/8 Natl Elm                       |
| 6.  | 112956&000612BC | Pre Laminate- 0.50 X 26.12 X 2.76             |
| 7.  | 112956&000712BC | Pre Laminate- 0.50 X 26.12 X 2.76             |
| 8.  | 112956&000818BC | Pre Laminate- 0.75 X 3.00 X 78.55             |
| 9.  | 203615          | Shower- Sport / 23FB FC                       |
| 10. | 602394-03       | Register-Black 4" #HV4BK                      |
| 11. | 967455          | Stand Assembly - Toilet 23FB                  |
| 12. | 969056          | Bath Door Assembly - W/Porthole 25.50 X 75.13 |
| 13. | 969057          | Sub Assembly - FWD Shower Panel               |
| 14. | 382532          | Towel Bar 18" Chrome Polish                   |
| 15. | 371423-02       | Mirror-Wall Mt 8" Chrome                      |
|     | 371423-01       | Retainer Clip- Mirror 1.88"                   |
| 16. | 382533          | Towel Ring - Chrome Polish                    |
|     | 602334          | Toilet, Low Profile Porcelain                 |
|     | 382143          | P-Gasket With Adhesive                        |
|     | 967114          | Shower Seat Support                           |

# 2022 GLOBETROTTER FURNITURE, LAVATORY

Bath Module, 25FB



Parts Listed on Next Page

## 2022 GLOBETROTTER FURNITURE, LAVATORY

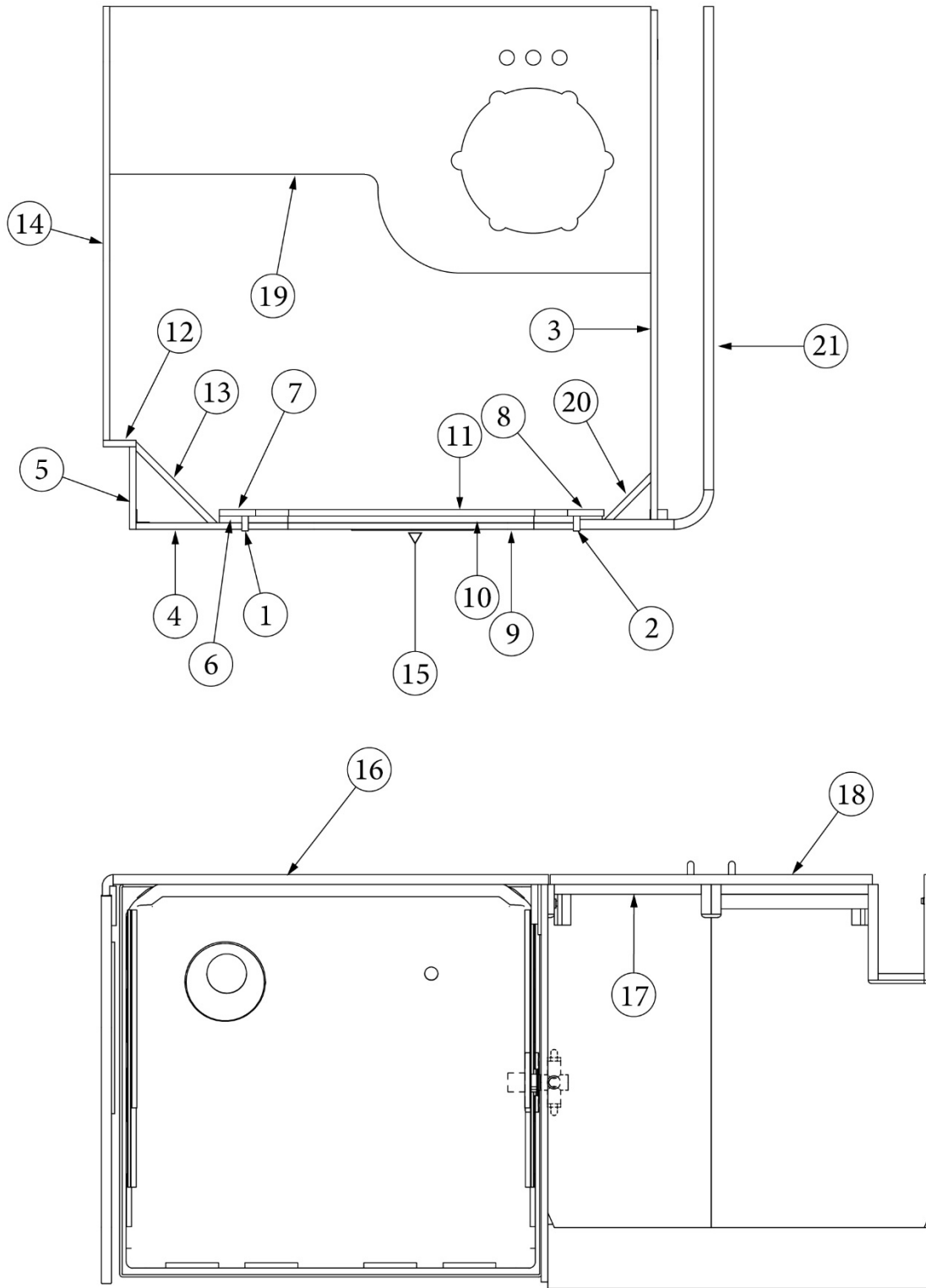
### Bath Module, 25FB

112773                      Install, Bath Module

- |     |                 |                                      |
|-----|-----------------|--------------------------------------|
| 1.  | 112773&000112BB | Panel, 1.13 X 79.37                  |
| 2.  | 112773&000212BB | Panel, 1.13 X 79.37                  |
| 3.  | 112773&000312BB | Panel, 8.00 X 79.37                  |
| 4.  | 112773&000412BB | Panel, 6.25 X 79.38, 5 Degree Angle  |
| 5.  | 112773&000512BB | Panel, 1.69 X 79.36                  |
| 6.  | 112773&000612BB | Panel, 2.75 X 79.33                  |
| 7.  | 112773&000712BB | Panel, 2.75 X 79.33                  |
| 8.  | 112773&000812BB | Panel, 3.50 X 24.63                  |
| 9.  | 112773&000912BB | Panel, 3.50 X 24.63                  |
| 10. | 112773&001012BB | Panel, 3.75 X 23.63                  |
| 11. | 112773&001112BB | Panel, 2.50 X 79.02                  |
| 12. | 112773&001212BB | Panel, 8.71 X 79.36                  |
| 13. | 112773&001312BB | Panel, 5.00 X 79.36                  |
| 14. | 112773&001412HB | Panel, 32.88 X 78.72                 |
| 15. | 112773&001512HC | Panel, 38.68 X 79.27                 |
| 16. | 966902          | Lavy Cabinet Assembly                |
| 17. | 968728          | Shower Compartment                   |
| 18. | 968920          | Sub Assembly-Right Bath Wall         |
| 19. | 969558-01       | Wardrobe Assembly AFT                |
|     | 365429-01       | Edgebanding 5/8 Blk Walnut           |
|     | 365426-01       | Edbanding-5/8 Natl Elm               |
|     | 365386-01       | Edgebanding, Linen, 5/8"             |
|     | 203138-03       | Extrusion, Wall, Plastic, Beige      |
|     | 203138-09       | Extrusion, Wall, Plastic, Brown      |
|     | 203464-07       | Trim panel, Brown, 3/4"              |
|     | 203464-02       | Trim-Pnl .75" Beige PVC, Natural Elm |

# 2022 GLOBETROTTER FURNITURE, LAVATORY

## Bath Module, 27FB



Parts Listed on Next Page

## 2022 GLOBETROTTER FURNITURE, LAVATORY

### Bath Module, 27FB

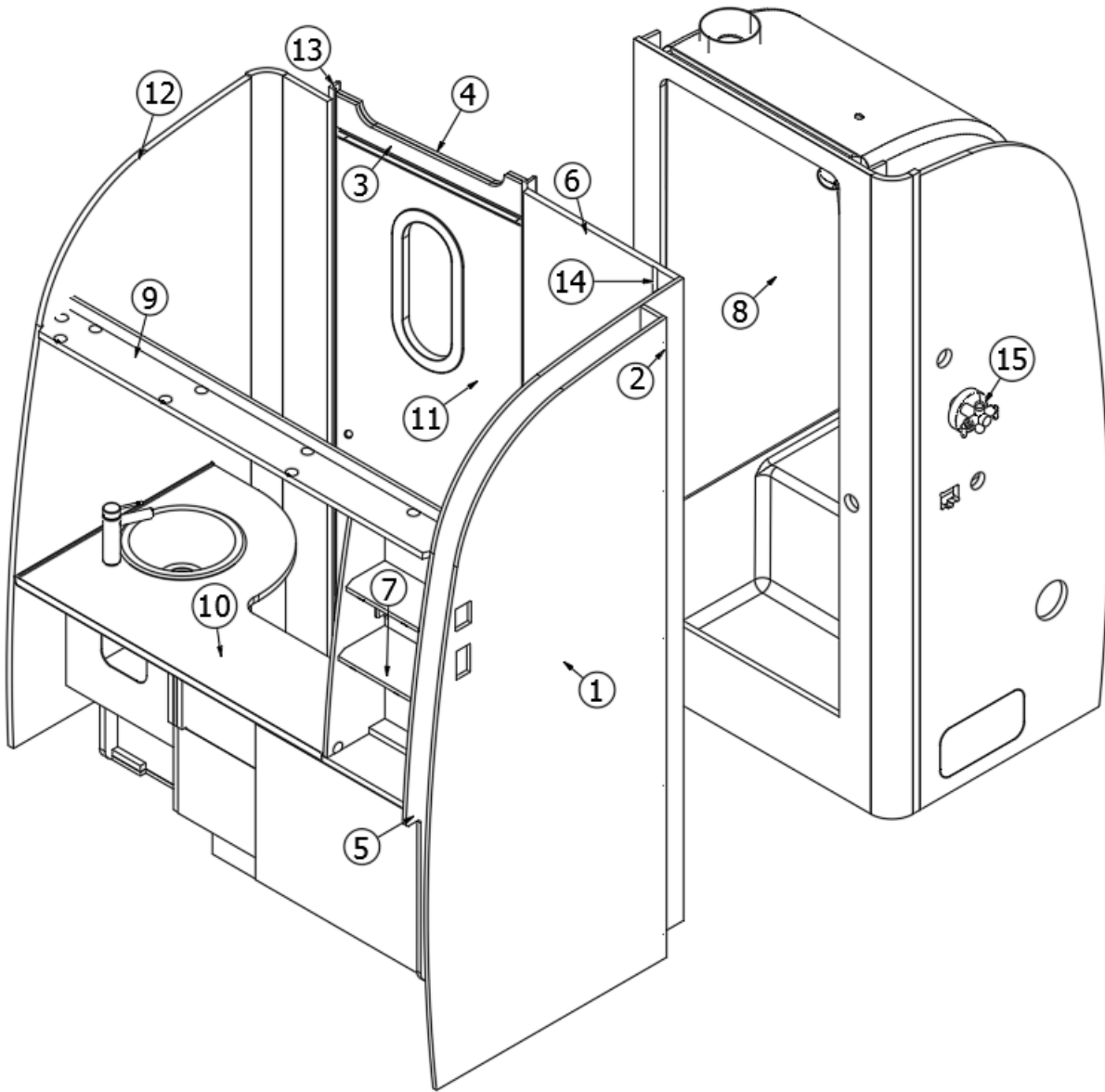
112572

Bath Module Install

- |                     |                                       |
|---------------------|---------------------------------------|
| 1. 112572&000212BB  | Pre laminate, 1.13 x 79.37"           |
| 2. 112572&000312BB  | Pre laminate, 1.13 x 79.37            |
| 3. 112572&000412HC  | Pre laminate, 38.86 x 79.27           |
| 4. 112572&000612BB  | Pre laminate, 8 x 79.37               |
| 5. 112572&000712BB  | Pre laminate, 6.25 x 79.38            |
| 6. 112572&000812BB  | Pre laminate, 1.69 x 79.36            |
| 7. 112572&001012BB  | Pre laminate, 2.75 x 79.33            |
| 8. 112572&001112BB  | Pre laminate, 2.75 x 79.33            |
| 9. 112572&001212BB  | Pre laminate, 3.5 x 24.63             |
| 10. 112572&001312BB | Pre laminate, 3.5 x 24.63             |
| 11. 112572&001412BB | Pre laminate, 3.75 x 23.63            |
| 12. 112572&001512BB | Pre laminate, 2.5 x 79.02             |
| 13. 112572&001712BB | Pre laminate, 8.72 x 79.36            |
| 14. 112572&001812HB | Pre laminate, 32.88 x 78.72"          |
| 15. 968731          | Bath door w/porthole                  |
| 16. 968728          | Shower Compartment, Queen             |
| 968728-01           | Shower Compartment, Twin              |
| 17. 969586-01       | Wardrobe Assy - FWD 27FB GLO          |
| 18. 969567-01       | Wardrobe Assy - AFT 27FB GLO          |
| 19. 966884          | Assembly, Lavy Base                   |
| 20. 112572&003212BB | Panel, 5 x 79.36"                     |
| 21. 968758          | Sub assembly, Right bath wall         |
| 968758&000118CE     | Panel, 36.62 x 79.16                  |
| 968758&000218CE     | Panel, 7.13 x 79.25                   |
| 703989-01           | Shower door, Adjustable, Reeded glass |
| 690621-BOX          | Toilet, China, Dometic                |
| 114812              | Aluminum angle, 1 x 1                 |
| 203464-02           | Trim-Pnl .75" Beige PVC, Natural Elm  |
| 203464-07           | Trim panel, Brown, 3/4"               |
| 203138-03           | Extrusion, Wall, Plastic, Beige       |
| 203138-09           | Extrusion, Wall, Plastic, Brown       |

# 2022 GLOBETROTTER FURNITURE, LAVATORY

Bath Module, 30RB



Parts Listed on Next Page

## 2022 GLOBETROTTER FURNITURE, LAVATORY

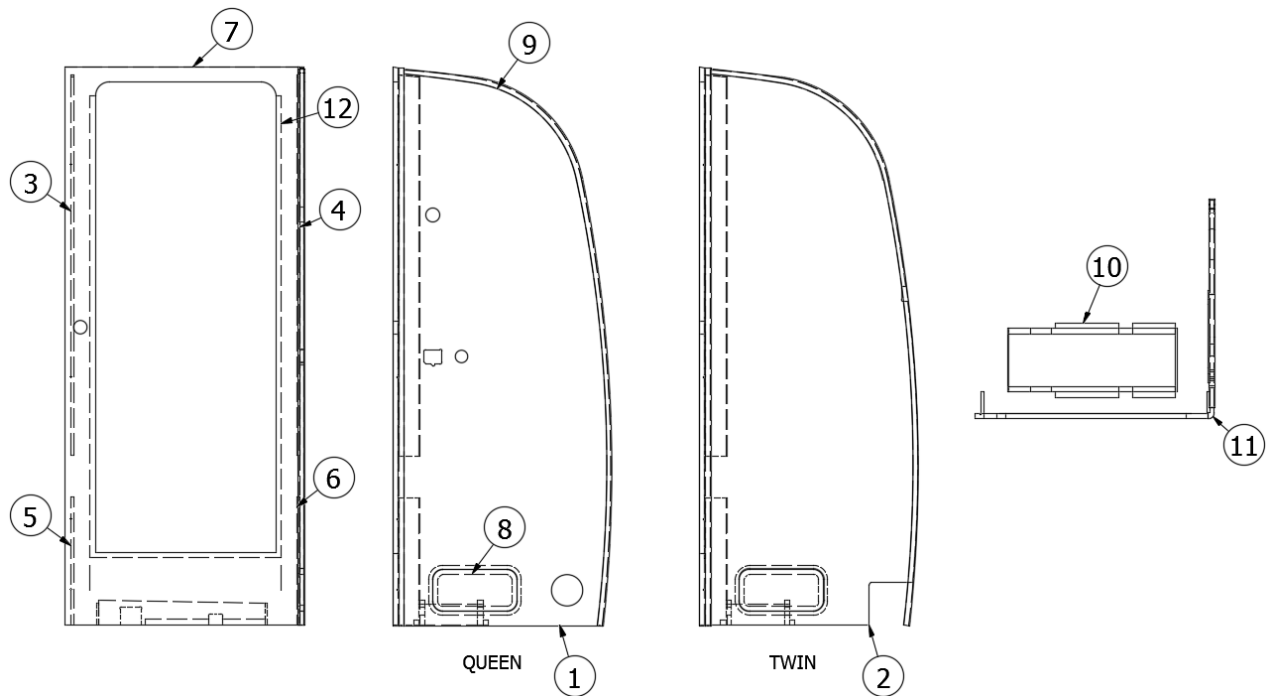
### Bath Module, 30RB

113147	Install - Bath Module
113147-01	Bath Module Install 30GLO Twin
1. 113147&000112BC	Pre Laminate-34.06 X 78.99
113147&011912BC	Pnl Prelam 34.06 X 78.38, Twin
2. 113147&000212BC	Pre Laminate- 0.50 X 2.75 X 78.38
3. 113147&000312BB	Pre Laminate- 0.50 X 4.01 X 25.50
4. 113147&000412BB	Pre Laminate- 0.50 X 4.01 X 25.50
5. 113147&000512HB	Pre Laminate-39.58 X 78.81
6. 113147&000618BB	Pre Laminate- 0.75 X 21.69 X 78.88
7. 967525	Cab.Assy-Upper Lavy
8. 969229	Ass'y Shower Compartment
9. 969212	Ass'y-Upper Lavy Shelf
10. 969216-01	Ass'y - Lavy Cabinet
11. 969267	Ass'y Bath Door W/ Porthole 25.50 X 72.00
12. 969285	Ass'y - Fwd-Rad Bath Panel
13. 801665-0040	Molding-L Door Jamb Blk Walnut
801665-0041	Molding-Door Jamb Elm
14. 113147&000712BC	Pre Laminate-4.50 X 79.36
15. 601829	Trim Kit-Shower Chateau Chrome
203138-03	Extrusion, Wall, Plastic, Beige
203138-09	Extrusion, Wall, Plastic, Brown
203464-07	Trim panel, Brown, 3/4"
203464-02	Trim-Pnl .75" Beige PVC, Natural Elm
365426-01	Edbanding-5/8 Natl Elm
365429-01	Edgebanding 5/8 Blk Walnut
114812	Alum. Angle 1" X 1 "X 12"
371423-02	Mirror-Wall Mt 8" Chrome
371423-01	Retainer Clip- Mirror 1.88"



# 2022 GLOBETROTTER FURNITURE, LAVATORY

## Shower Compartment, 25FB, 27FB



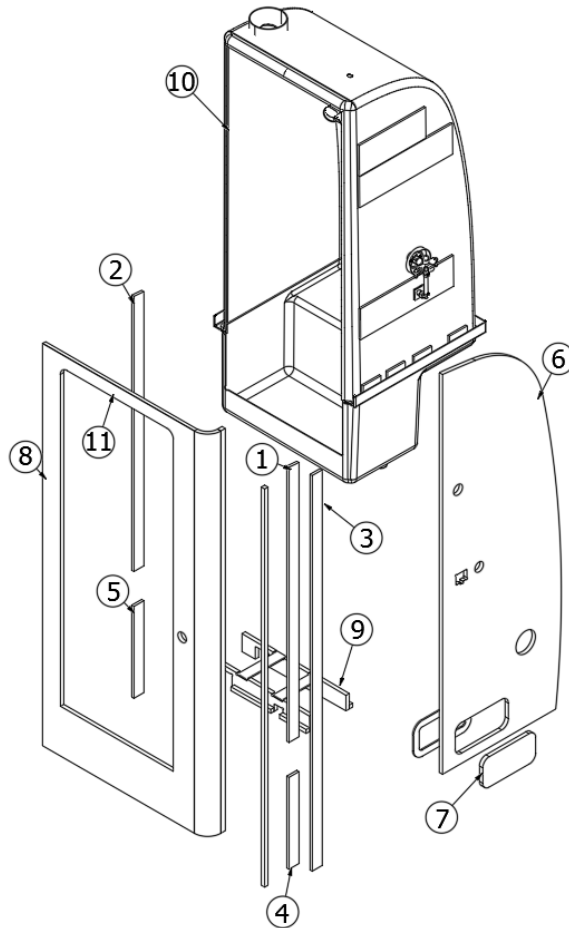
968728  
968728-01

Shower Compartment, Queen  
Shower Compartment, Twin

- |                    |  |
|--------------------|--|
| 1. 968728&000112BC | Panel, 29.25 x 78.52, Queen                      |
| 2. 968728&010212BC | Panel, 29.25 x 78.52, Twin                       |
| 3. 968728&000312CC | Panel, 3 x 53.79                                 |
| 4. 968728&000412CC | Panel, 3 x 53.79                                 |
| 5. 968728&001412CC | Panel, 3 x 18                                    |
| 6. 968728&001512CC | Panel, 3 x 18                                    |
| 7. 968728&000518BC | Panel, 32.5 x 78.81                              |
| 8. 968728&001718BC | Panel, 11.94 x 5.94                              |
| 9. 203138-03       | Extrusion, Wall, Plastic, Beige                  |
| 203138-09          | Extrusion, Wall, Plastic, Brown                  |
| 10. 961916         | Shower stand                                     |
| 11. 801706-0040    | Corner Trim 90 Deg Rad Blk Walnut                |
| 801706-0041        | Corner Trim 90deg 1" Rad Nat Elm                 |
| 203081-02          | Shower stall, 2 piece fiberglass, White          |
| 703989-01          | Shower door, Brushed Nickel                      |
| 203985             | Molding-T Flexible 13/16" Hol White, Natural Elm |
| 365429-02          | Edgebanding 15/16: Blk Walnut                    |
| 365426-02          | Edgebanding-15/16" Natl Elm                      |

# 2022 GLOBETROTTER FURNITURE, LAVATORY

## Shower Compartment, 30RB



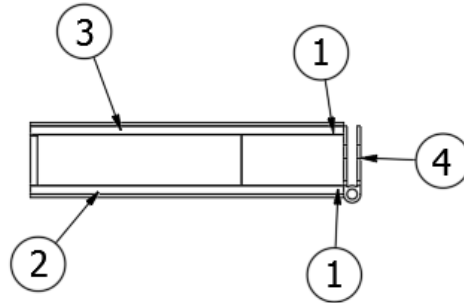
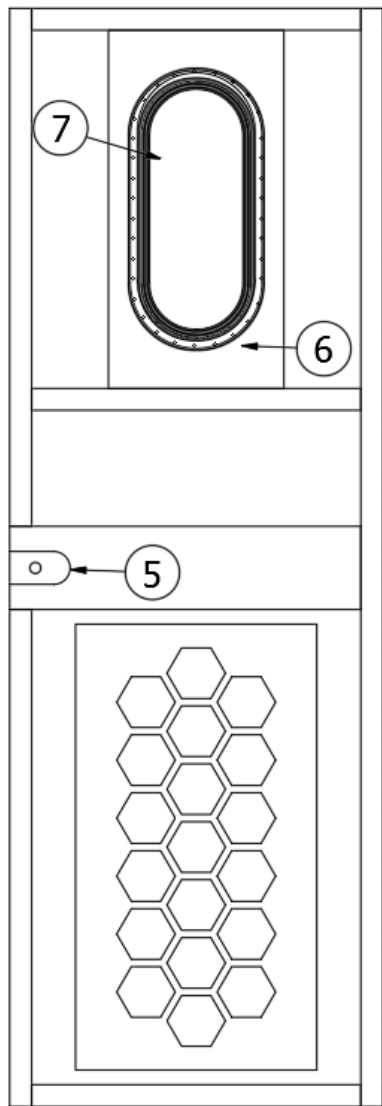
969229  
969229-01

Ass'y Shower Compartment, Queen  
Shower Compartment Assembly 30GLO, Twin

- |     |                 |                                       |
|-----|-----------------|---------------------------------------|
| 1.  | 969229&000112CC | Pre Laminate-2.25 X 53.91             |
| 2.  | 969229&000212CC | Pre Laminate-2.25 X 53.91             |
| 3.  | 969229&000312CC | Pre Laminate-2.25 X 77.50             |
| 4.  | 969229&000412CC | Pre Laminate-2.25 X 18.00             |
| 5.  | 969229&000512CC | Pre Laminate-2.25 X 18.00             |
| 6.  | 969229&000618BC | Pre Laminate-26.83 X 78.32            |
| 7.  | 969229&000718BC | Pre Laminate- 0.75 X 5.94 X 11, Queen |
|     | 969229&011818BC | Pnl-Prelam 26.83 X 78.32, Twin        |
| 8.  | 969230          | Sub Ass'y - Shower Compartment        |
| 9.  | 961916          | Shower Stand Assy.                    |
| 10. | 203081-01       | Shower Stall-2 Pc Fiber               |
| 11. | 203985          | Molding-T Flexible 13/16" Hol White   |
|     | 203464-02       | Trim-Pnl .75" Beige PVC               |
|     | 203464-07       | Trim panel, Brown, 3/4"               |
|     | 703989-01       | Shower door, Reeded glass             |

# 2022 GLOBETROTTER FURNITURE, LAVATORY

## Bath Door with Porthole, 23FB

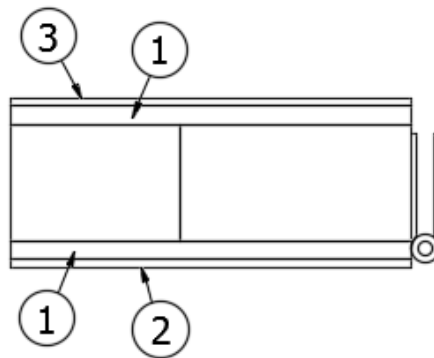
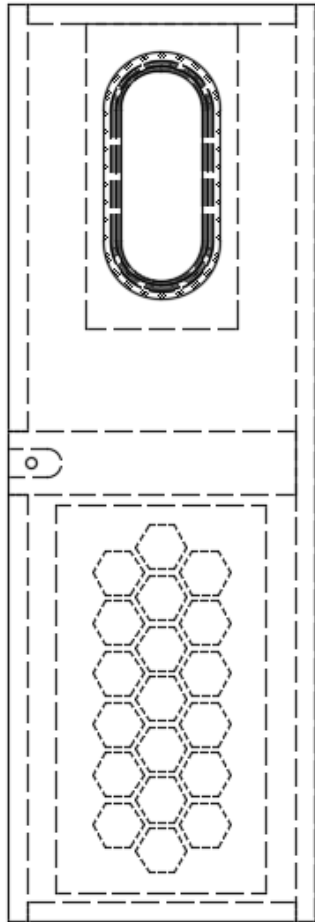


### 969056 Bath Door Ass'y - W/Porthole 2

- |    |                 |                                   |
|----|-----------------|-----------------------------------|
| 1. | 801917-01       | Panel, MDF 26" x 76"              |
| 2. | 969056&000201BE | Laminate-4'8' V                   |
| 3. | 969056&000301BE | Laminate-4'8' V                   |
| 4. | 380203-01       | Piano Hinge 1/8" Pin Clr Anodized |
| 5. | 382523          | Kit - Handle-Door Baldacci        |
| 6. | 203761-02       | Trim-18" Bath Window 1.02 THK     |
| 7. | 371438          | Window-Bath Door 9.25X19.31       |
|    | 365429-03       | Edgebanding Blk Walnut 1-1/4"     |
|    | 365426-03       | Edgebanding-1-1/4" Natl Elm       |

# 2022 GLOBETROTTER FURNITURE, LAVATORY

## Bath Door with Porthole, 25FB, 27FB



968731

Bath Door w/Porthole

1. 801917-01

Panel, MDF, 26" x 76"

2. 968731&000201BE

Laminate

3. 968731&000301BE

Laminate

371438

Bath door window

203761-02

Trim, Bath door window

382523

Door handle, Baldacci

380203-01

Piano hinge

203333-02

Glass only, Bath door window

365429-03

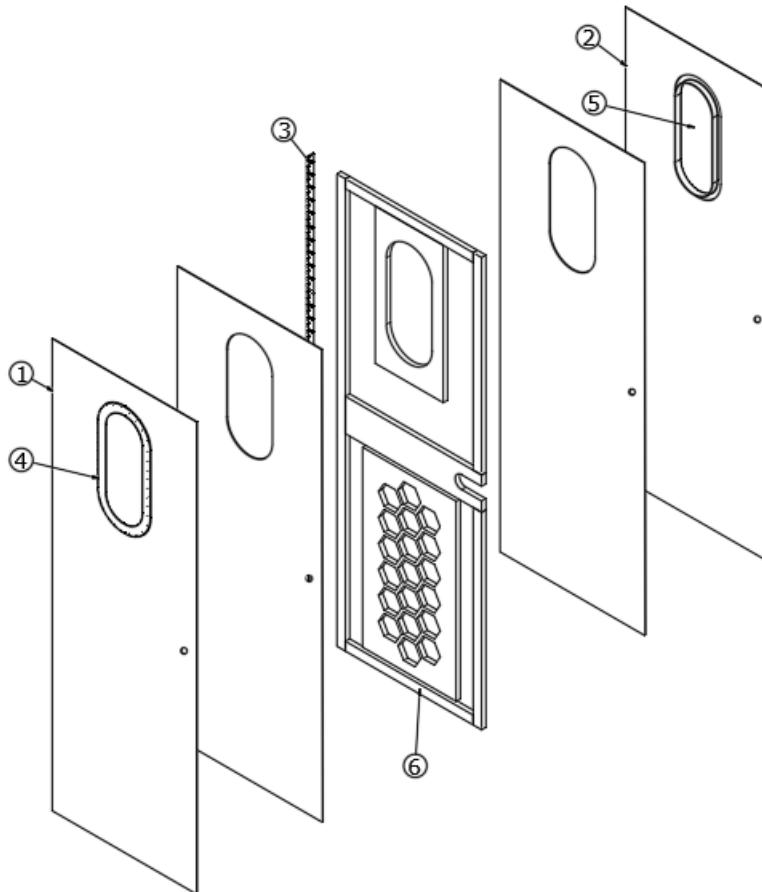
Edgebanding Blk Walnut 1-1/4"

365426-03

Edgebanding-1-1/4" Natl Elm

# 2022 GLOBETROTTER FURNITURE, LAVATORY

## Bath Door with Porthole, 30RB



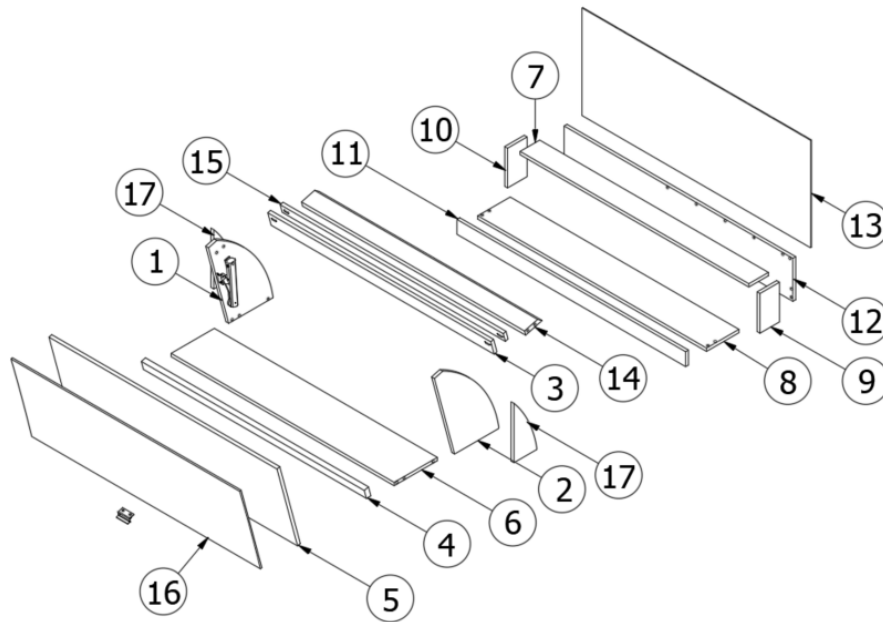
969267

Ass'y Bath Door W/ Porthole 25.50 X 72.00

- |    |                 |                                   |
|----|-----------------|-----------------------------------|
| 1. | 969267&000701BE | Laminate-4'X 8'                   |
| 2. | 969267&000801BE | Lam-4'x8'vert                     |
| 3. | 380203-01       | Piano Hinge 1/8" Pin Clr Anodized |
| 4. | 203761-02       | Trim-18" Bath Window 1.02 Thk     |
| 5. | 371438          | Window-Bath Door 9.25X19.31       |
|    | 382523          | Kit - Handle-Door Baldacci        |

# 2022 GLOBETROTTER FURNITURE, LAVATORY

## Medicine Cabinet, 25FB, 27FB



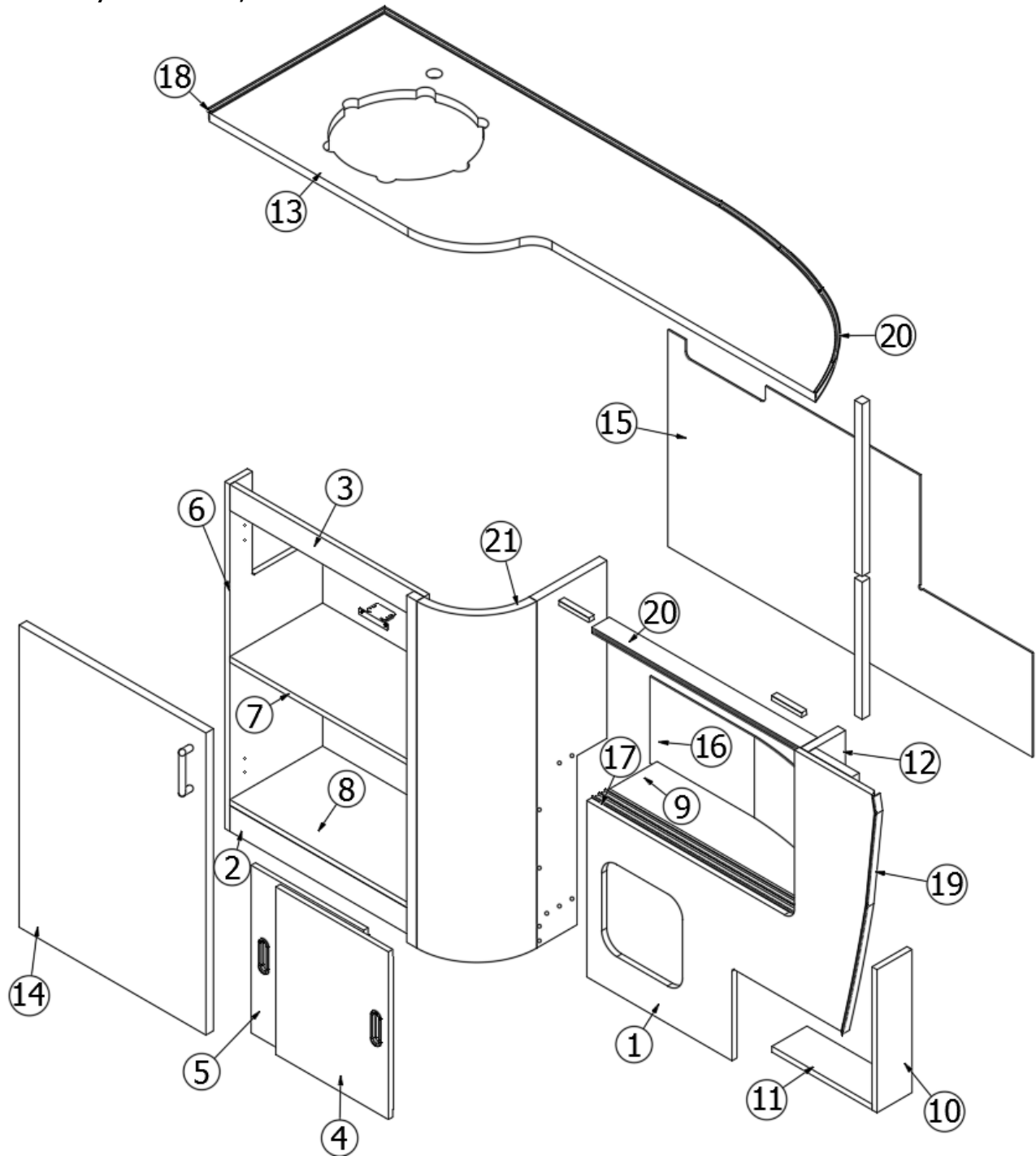
968574

Medicine Cabinet

- |                     |                                 |
|---------------------|---------------------------------|
| 1. 968574&000112CC  | Panel, 11.29 x 13.56            |
| 2. 968574&000212CC  | Panel, 11.29 x 13.56            |
| 3. 968574&000312CC  | Panel, 2.25 x 39                |
| 4. 968574&000418CC  | Panel, 1.63 x 39                |
| 5. 968574&000512CC  | Panel, 13.88 x 39.88            |
| 6. 968574&000612CC  | Panel, 39 x 7.56                |
| 7. 968574&000712BC  | Panel, 3.42 x 40                |
| 8. 968574&000812BB  | Panel, 5.67 x 40                |
| 9. 968574&000912BC  | Panel, 3.42 x 6                 |
| 10. 968574&001012BC | Panel, 3.42 x 6                 |
| 11. 968574&001112BC | Panel, 2.25 x 40                |
| 12. 968574&001212BC | Panel, 6.5 x 40                 |
| 13. 968574&001303CE | Panel, 16.25 x 40               |
| 14. 968574&002218CC | Panel, 3 x 39                   |
| 15. 968574&002512CC | Panel, 1.38 x 39                |
| 16. 372203-33       | Mirror, Safety glass, 14" x 40" |
| 17. 968574&001412CC | Panel, .50 X 8.00 X 12.00       |
| 385940-02           | Mirror pull, Chrome             |
| 382466-01           | Lid stay, Compartment door      |
| 382466-02           | Lid stay, Side bracket          |
| 382466-03           | Lid stay, Door bracket          |
| 382159              | Pivot hinge, Nickel             |
| 381228-02           | Catch, Grabber door (5lb Pull)  |
| 365429-01           | Edgebanding 5/8 Blk Walnut      |
| 365426-01           | Edbanding-5/8 Natl Elm          |

# 2022 GLOBETROTTER FURNITURE, LAVATORY

## Lavatory Cabinet, 23FB



Parts Listed on Next Page

## 2022 GLOBETROTTER FURNITURE, LAVATORY

### Lavatory Cabinet, 23FB

969052

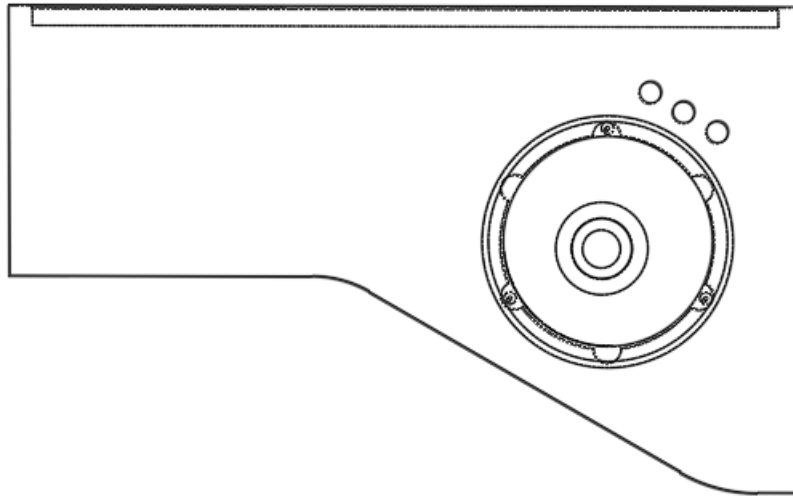
Assembly-Lavy Cabinet

- |     |                 |  |
|-----|-----------------|--|
| 1.  | 969052&000112BC | Pre Laminate- 0.50 X 28.96 X 30.00               |
| 2.  | 969052&000212BC | Pre Laminate- 0.50 X 2.25 X 19.42                |
| 3.  | 969052&000312BC | Pre Laminate- 0.50 X 2.25 X 19.42                |
| 4.  | 969052&000412BC | Pre Laminate- 0.50 X 11.25 X 14.50               |
| 5.  | 969052&000512BC | Pre Laminate- 0.50 X 11.25 X 14.50               |
| 6.  | 969052&000618CC | Pre Laminate- 0.50 X 9.27 X 30.00                |
| 7.  | 969052&000712CC | Pre Laminate-9.27 X 24.64                        |
| 8.  | 969052&000812CC | Pre Laminate-9.27 X 24.64                        |
| 9.  | 969052&000912CC | Pre Laminate- 0.50 X 6.52 X 20.85                |
| 10. | 969052&001012CC | Pre Laminate- 0.50 X 3.50 X 12.38                |
| 11. | 969052&001112CC | Pre Laminate-3.50 X 10.00                        |
| 12. | 969052&001218CC | Pre Laminate- 0.75 X 3.75 X 15.38                |
| 13. | 969052&001318JC | Pre Laminate- 0.75 X 54.58 X 17.50               |
| 14. | 969052&001418MC | Pre Laminate- 0.75 X 18.67 X 26.13               |
| 15. | 969052&001503CE | Pre Laminate- 0.13 X 36.42 X 18.75               |
| 16. | 969052&001603CE | Panel, 22.375 X 7.5                              |
| 17. | 115374          | Extrusion Sliding Door Track                     |
| 18. | 201673          | Reverse Cove Molding                             |
| 19. | 201673-04       | Cove Moulding, Natural elm                       |
|     | 201673-05       | Molding-Reverse Cove Chestnut Brown, Dark Walnut |
| 20. | 201673          | Reverse Cove Molding                             |
| 21. | 969053          | Radius, Sub Assembly, Lavy                       |
|     | 101115          | Angle, Lavy Support                              |
|     | 382522          | Pull W/Screws - New Haven M516                   |
|     | 365429-01       | Edgebanding 5/8 Blk Walnut                       |
|     | 365426-01       | Edbanding-5/8 Natl Elm                           |
|     | 365429-02       | Edgebanding 15/16: Blk Walnut                    |
|     | 365426-02       | Edgebanding-15/16" Natl Elm                      |
|     | 203445-08       | T-Trim, Brown, 9/16"                             |
|     | 203445-05       | Molding-T 9/16" Holiday Wht, Natural Elm         |
|     | 381607-11       | Hinge-Self Close Overlay 110D                    |
|     | 381607-12       | Baseplate-Grass 9.5X37/32                        |
|     | 381607-16       | Clip-Steel Grass Hinge                           |
|     | 381228-02       | Black Catch Grabber, 3 Lb.                       |
|     | 382030          | Finger Pull Recessed                             |



# 2022 GLOBETROTTER FURNITURE, LAVATORY

Lavatory Top, 25FB

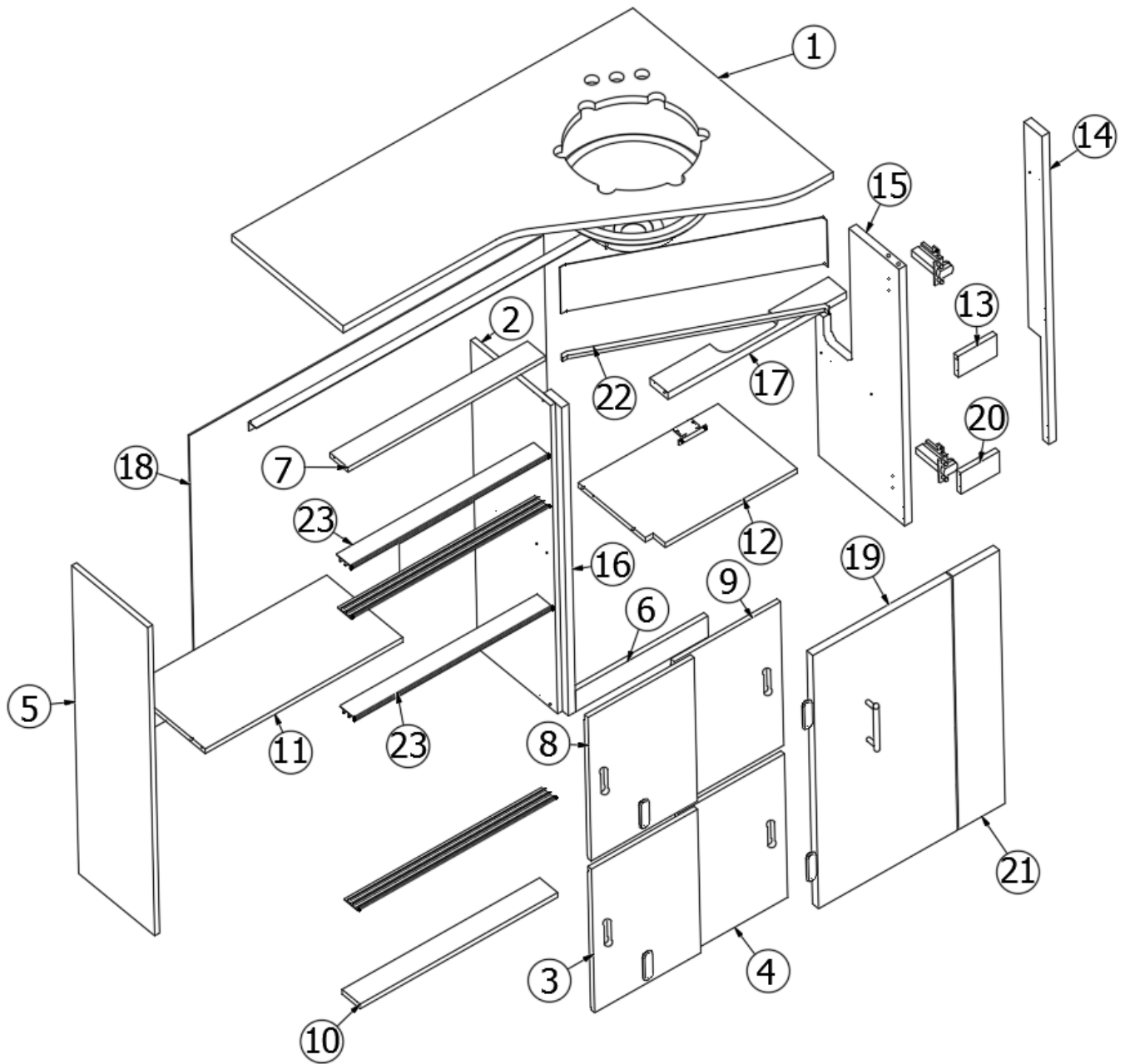


966903-02  
966903&020118JC  
365431-02  
602550  
601804-01  
115064

Lavy Top Assembly  
25.00" X 40.88  
Edgeband-15/16" Marfil Cream  
Lavy faucet, Single hole, Chrome, Grohe  
Lavy sink, 12" round, Stainless Steel  
Trim, Aluminum counter top

# 2022 GLOBETROTTER FURNITURE, LAVATORY

## Lavatory Cabinet, 25FB



Parts Listed on Next Page

## 2022 GLOBETROTTER FURNITURE, LAVATORY

### Lavatory Cabinet, 25FB

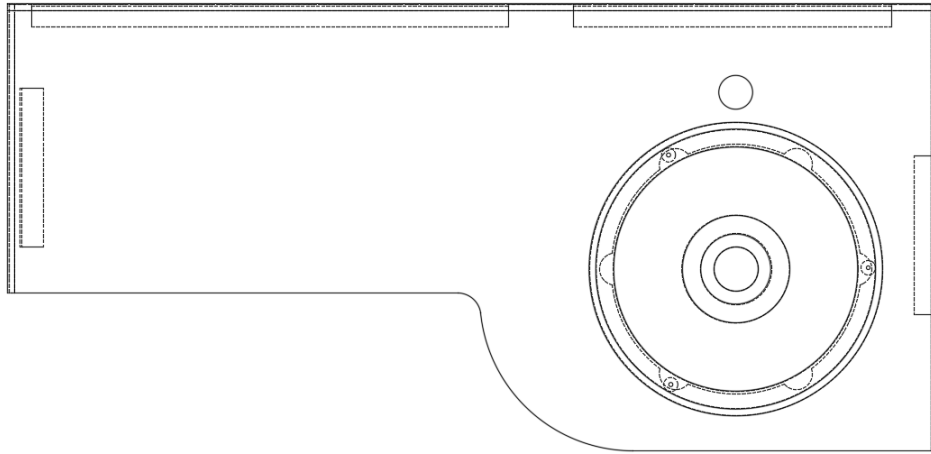
966902

Assembly, Lavy Cabinet

1. 966903	Lavy Top Assembly
2. 966902&000212BC	Panel, 10.00 X 33.00
3. 966902&000312BC	Panel, 10.81 X 15.38
4. 966902&000412BC	Panel, 10.81 X 15.38
5. 966902&000512BC	Panel, 9.50 X 33.00
6. 966902&000612BC	Panel, 2.25 X 13.50
7. 966902&000712CC	Panel, 2.25 X 20.13
8. 966902&000812BC	Panel, 10.81 X 15.38
9. 966902&000912BC	Panel, 10.81 X 15.38
10. 966902&001012CC	Panel, 2.25 X 20.13
11. 966902&001112CC	Panel, 9.50 X 20.13
12. 966902&001312CC	Panel, 9.88 X 14.25
13. 966902&001412CC	Panel, 2.25 X 3.94
14. 966902&001518CC	Panel, 2.25 X 33.00
15. 966902&001618CC	Panel, 10.75 X 27.50
16. 966902&001718CC	Panel, 2.25 X 33.00
17. 966902&001818CC	Panel, 2.25 X 18.19
18. 966902&001903CE	Pre Laminate- 0.13 X 28.00 X 36.13
19. 966902&002318MC	14.13 X 27.13 EB9-B02
20. 966902&002512CC	2.25 X 3.94
21. 966902&003118MC	4.75 X 27.13 EB9-B02
22. 454225	Assembly, Lavy Closeout
23. 115374	Extrusion-Sliding Door Track .5"
382522	Pull W/Screws - New Haven M516
801706-0040	Corner Trim 90 Deg Rad Blk Walnut
801706-0041	Corner Trim 90deg 1" Rad Nat Elm
365429-02	Edgebanding 15/16: Blk Walnut
365426-02	Edgebanding-15/16" Natl Elm
365429-01	Edgebanding 5/8 Blk Walnut
365426-01	Edbanding-5/8 Natl Elm
382030	Pull-Recessed Finger
381228-02	Catch Grabber Door C3-805
601804-01	Sink 12" SS Round With Studs
381607-11	Hinge-Self Close Overlay
381607-12	Baseplate-Grass
381607-16	Clip-Steel Grass Hinge

# 2022 GLOBETROTTER FURNITURE, LAVATORY

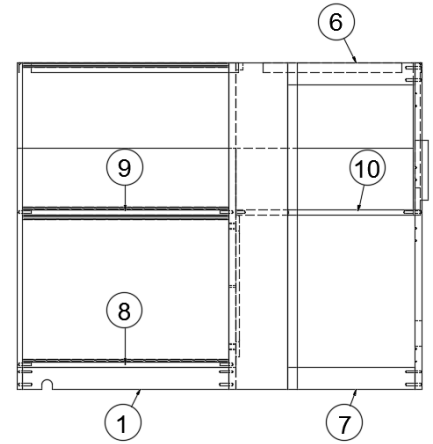
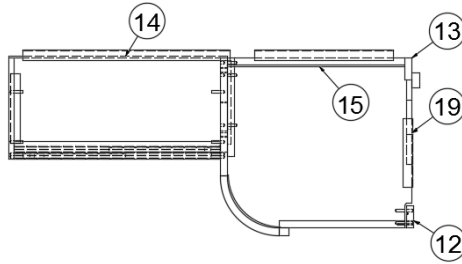
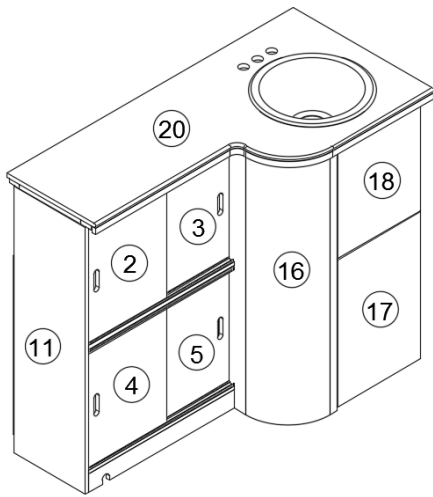
## Lavatory Top, 27FB



966885-41	Lavatory top, Natural Elm
602550	Lavy faucet, Single hole, Chrome, Grohe
601804-01	Lavy sink, 12" round, Stainless Steel
115064	Trim, Aluminum counter top

# 2022 GLOBETROTTER FURNITURE, LAVATORY

## Lavatory Cabinet, 27FB



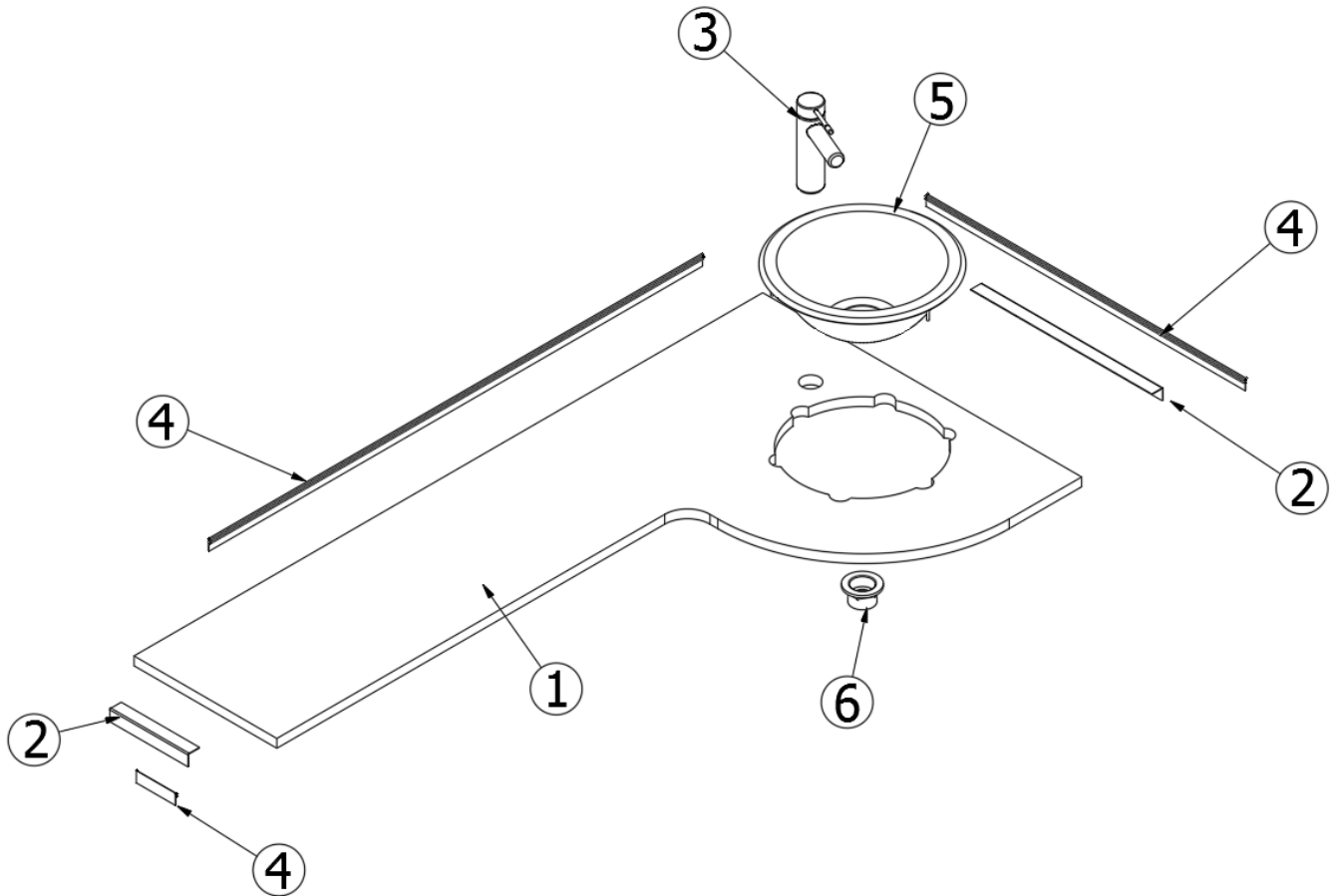
### 966884-GLO

### Lavatory Cabinet

- |                     |                                  |
|---------------------|----------------------------------|
| 1. 966884&010112BC  | Panel, 20.85 x 2.25              |
| 2. 966884&010212BC  | Panel, 11.25 x 14.5              |
| 3. 966884&010312BC  | Panel, 11.25 x 14.5              |
| 4. 966884&010412BC  | Panel, 11.25 x 14.5              |
| 5. 966884&010512BC  | Panel, 11.25 x 14.5              |
| 6. 966884&010618BC  | Panel, 12.87 x 2.25              |
| 7. 966884&010718BC  | Panel, 12.87 x 2.25              |
| 8. 966884&010812CC  | Panel, 10.25 x 20.85             |
| 9. 966884&010912CC  | Panel, 10.25 x 20.85             |
| 10. 966884&011012CC | Panel, 18.68 x 17.19             |
| 11. 966884&011112CC | Panel, 10.25 x 33                |
| 12. 966884&011218CC | Panel, 2.25 x 33                 |
| 13. 966884&011318CC | Panel, 2.25 x 14.87              |
| 14. 966884&011403CE | Panel, 22.13 x 22.13             |
| 15. 966884&011503CE | Panel, 17.94 x 6.25              |
| 16. 966893-41       | Radius sub assembly, Natural Elm |
| 17. 966884&011718BC | Panel, 11.87 x 18.19             |
| 18. 966884&011818BC | Panel, 11.87 x 13.5              |
| 19. 966884&013112CC | Panel, 8.5 x 7                   |
| 20. 966885-41       | Lavatory top, Natural Elm        |
| 381228-02           | Catch, Grabber door (5lb Pull)   |
| 382030              | Pull, Recessed finger            |
| 115374              | Sliding door track               |
| 381607-11           | Hinge, Self-close                |

# 2022 GLOBETROTTER FURNITURE, LAVATORY

## Lavatory Top, 30RB



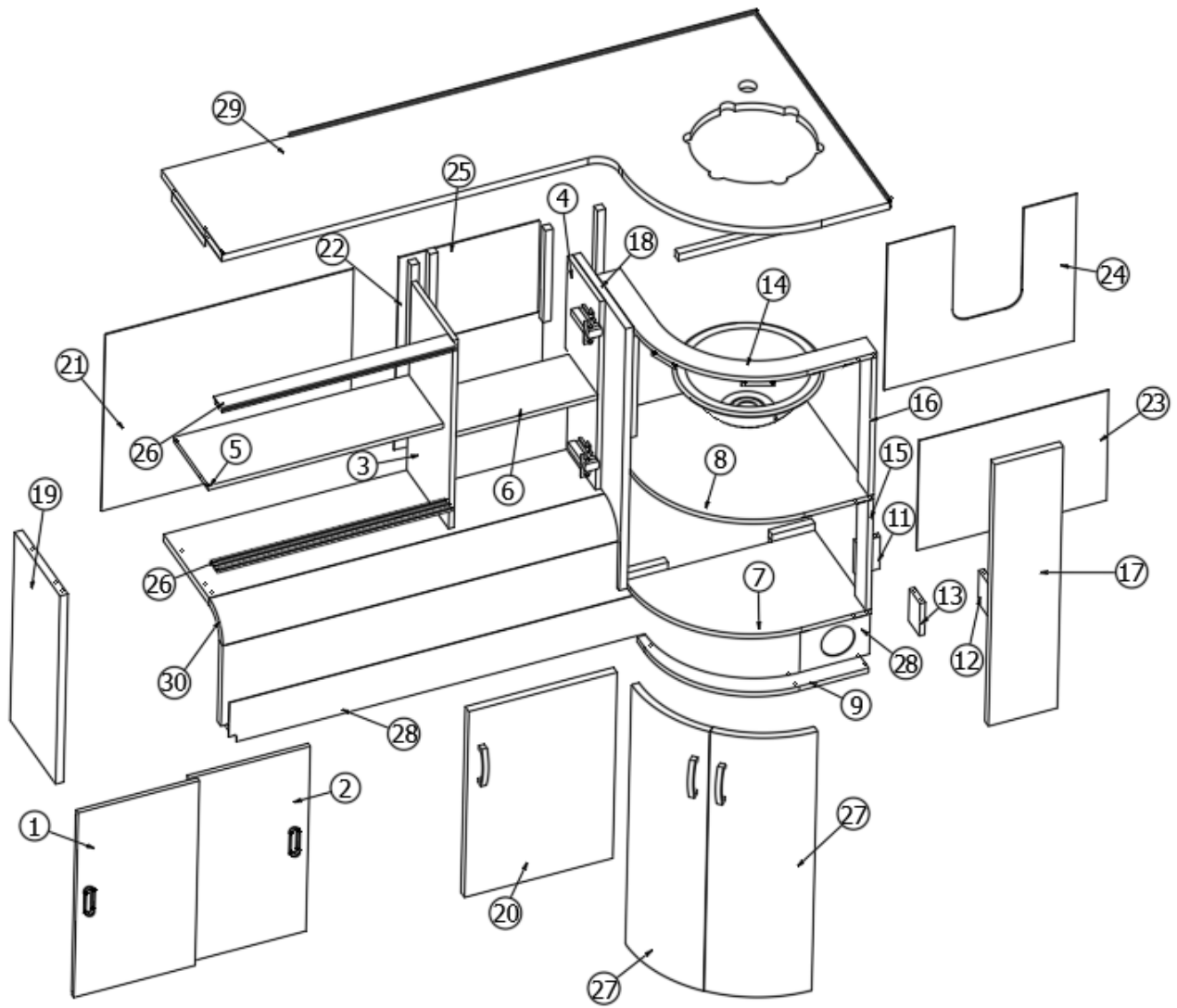
967618

Lavy Top

- |    |                 |  |
|----|-----------------|--|
| 1. | 967618&000118JC | Panel-28.19 X 55.56                      |
| 2. | 114812          | Alum. Angle 1" X 1 "X 12"                |
| 3. | 602550          | Faucet Essence New Lavy Centerset S-Size |
| 4. | 115064          | Trim-Alum Counter Top Int                |
| 5. | 601804-01       | Sink 12" SS Round W/Studs                |
| 6. | 601813          | Tail Piece-Lift/Turn Drain               |

# 2022 GLOBETROTTER FURNITURE, LAVATORY

## Lavatory Cabinet, 30RB



Parts Listed on Next Page

## 2022 GLOBETROTTER FURNITURE, LAVATORY

### Lavatory Cabinet, 30RB

969216-01

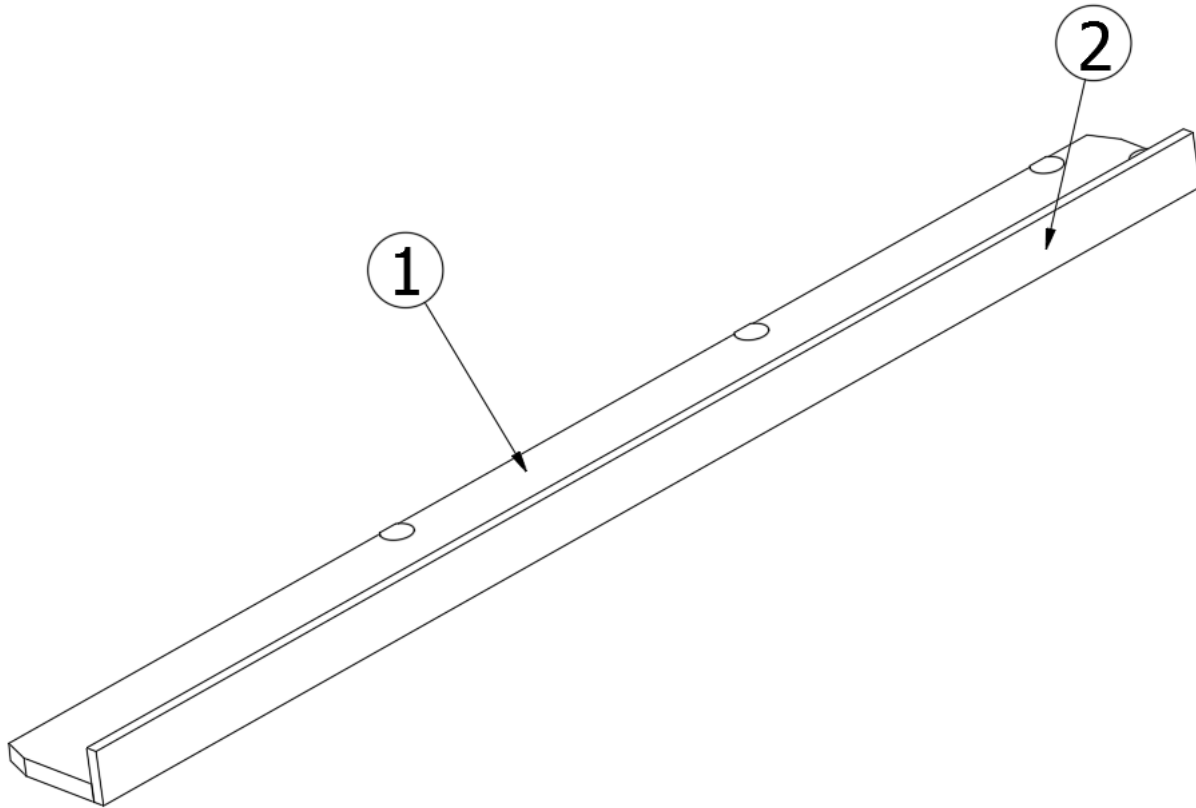
Assembly, Lavy Cabinet

- |     |                 |   |
|-----|-----------------|---|
| 1.  | 969216&004012BC | Pre Laminate- 0.50 X 11.34 X 20.13          |
| 2.  | 969216&004112BC | Pre Laminate- 0.50 X 11.34 X 20.13          |
| 3.  | 969216&000312BC | Pre Laminate-8.75 X 20.50                   |
| 4.  | 969216&000412CC | Pre Laminate- 0.50 X 7.55 X 20.50           |
| 5.  | 969216&000512CC | Pre Laminate-7.24 X 22.00                   |
| 6.  | 969216&000612CC | Pre Laminate-6.05 X 13.25                   |
| 7.  | 969216&000712CC | Pre Laminate- 0.50 X 17.75 X 12.50          |
| 8.  | 969216&000812CC | Pre Laminate- 0.50 X 17.75 X 19.00          |
| 9.  | 969216&000912CC | Pre Laminate- 0.50 X 16.50 X 11.56          |
| 10. | 969216&001012CC | Pre Laminate- 0.50 X 16.50 X 11.56          |
| 11. | 969216&001112CC | Pre Laminate-2.25 X 3.50                    |
| 12. | 969216&001212CC | Pre Laminate-2.25 X 3.50                    |
| 13. | 969216&001312CC | Pre Laminate-2.25 X 3.50                    |
| 14. | 969216&001412CC | Pre Laminate- 0.50 X 17.75 X 19.00          |
| 15. | 969216&001512CC | Pre Laminate-2.25 X 12.00                   |
| 16. | 969216&001612CC | Pre Laminate-2.25 X 15.00                   |
| 17. | 969216&001718BC | Pre Laminate-6.44 X 28.50                   |
| 18. | 969216&001818BC | Pre Laminate- 0.75 X 11.05 X 28.50          |
| 19. | 969216&001918BC | Pre Laminate-9.50 X 20.50                   |
| 20. | 969216&002018BC | Pre Laminate- 0.75 X 13.88 X 20.25          |
| 21. | 969216&002103CE | Panel-Pre-Lam- 19.25 X 23.25                |
| 22. | 969216&002203CE | Panel-Pre-Lam- 11.00 X 13.75                |
| 23. | 969216&002303CE | Panel-Pre-Lam- 12.00 X 17.75                |
| 24. | 969216&002403CE | Panel-Pre-Lam- 17.75 X 16.00                |
| 25. | 969216&002503CE | Panel-Pre-Lam- 10.00 X 13.22                |
| 26. | 115374          | Extrusion-Sliding Dr Track .5"              |
| 27. | 801788-0140     | Door-Plyform 9.18x28.25 Formica Blk Walnut  |
|     | 801788-0141     | Door Plyform 9.18 X 28.25 Decotone-Natl Elm |
| 28. | 115438-03       | Toekick-Alum Lavy 23.75"                    |
| 29. | 967618          | Lavy Top                                    |
| 30. | 967522          | Sub Assy-Lavy Base                          |
|     | 382522          | Pull W/Screws - New Haven M516              |
|     | 381228-02       | Catch Grabber Door C3-805 5#                |
|     | 382030          | Pull-Recessed Finger .7 X 2.7               |
|     | 381607-11       | Hinge-Self Close Overlay 110D               |
|     | 381607-12       | Baseplate-Grass 9.5X37/32                   |
|     | 382057          | Knockdown 8MM #16289B                       |
|     | 382057-04       | Cap-Knockdown Wht #16387                    |



# 2022 GLOBETROTTER FURNITURE, LAVATORY

Lavatory Shelf, Upper, 30RB

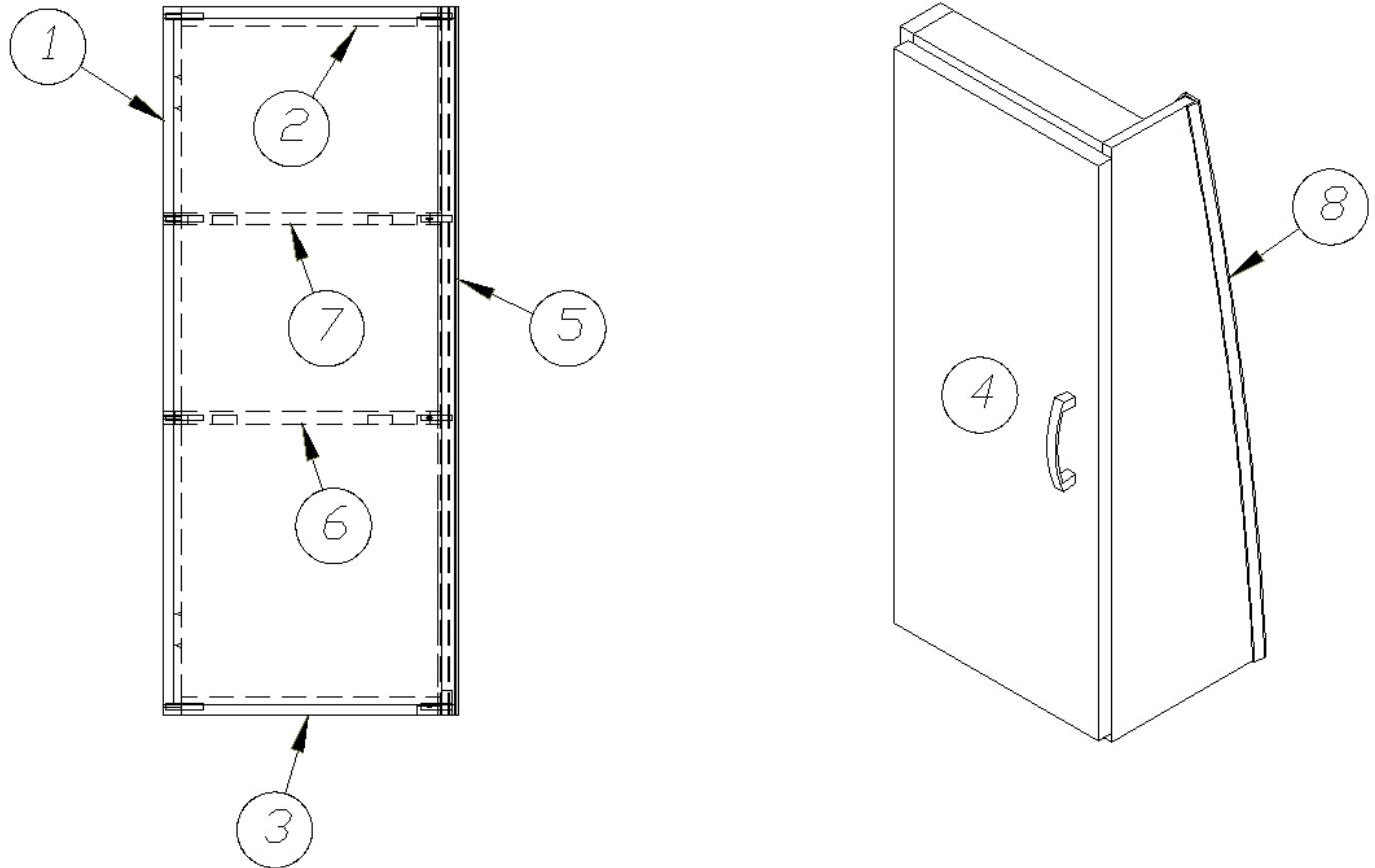


969212 Ass'y-Upper Lavy Shelf

- |    |                 |                           |
|----|-----------------|---------------------------|
| 1. | 969212&000118BB | Pre Laminate-4.93 X 55.69 |
| 2. | 969212&000212BB | Pre Laminate-2.25 X 55.69 |
|    | 382057          | Knockdown 8MM #16289B     |
|    | 382057-04       | Cap-Knockdown WHT #16387  |

# 2022 GLOBETROTTER FURNITURE, LAVATORY

## Lavatory Upper Cabinet, 30RB



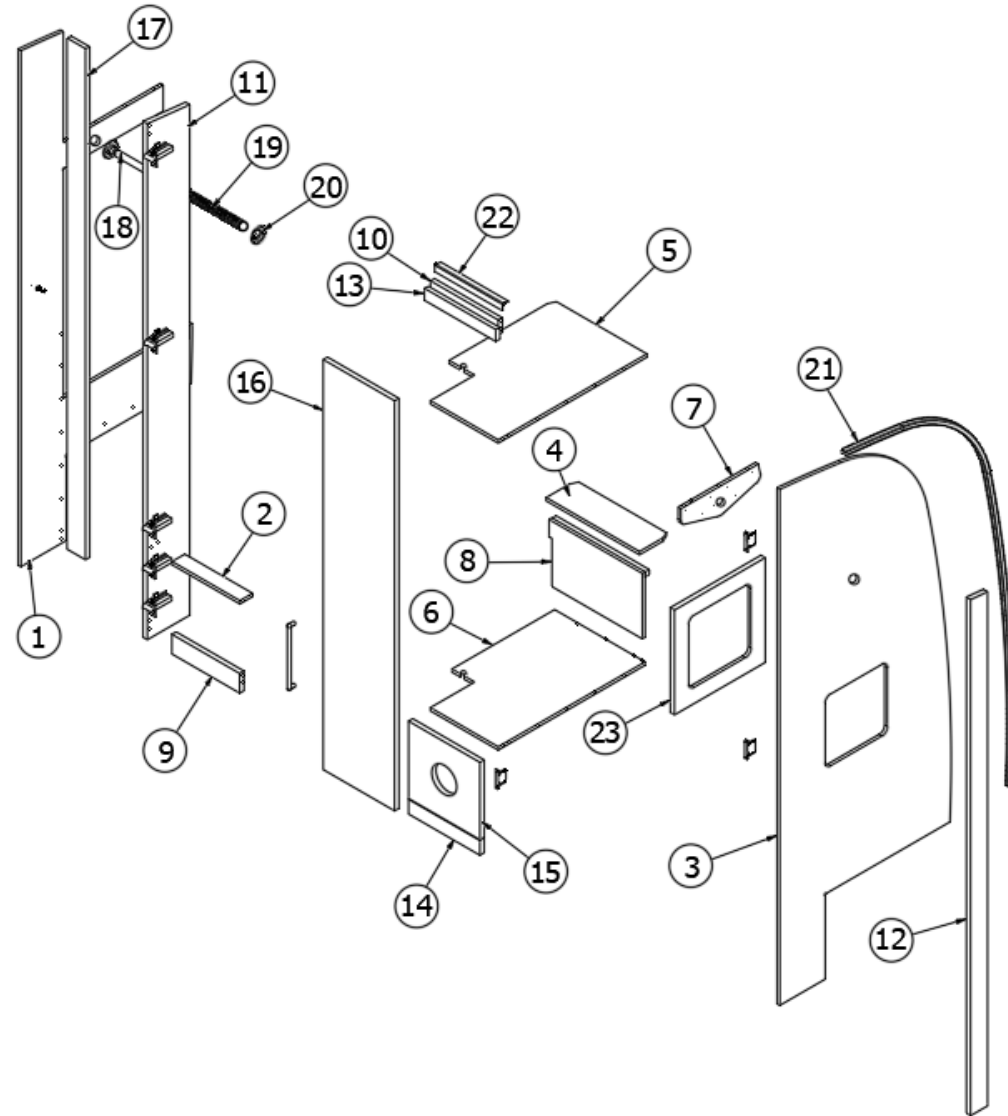
967525

Upper Lavy Cabinet

- |    |                 |                                 |
|----|-----------------|---------------------------------|
| 1. | 967525&000118CC | Panel, 2.25 x 28.5              |
| 2. | 967525&000218CC | Panel, 2.25 x 10.5              |
| 3. | 967525&000318CC | Panel, 2.25 x 10.5              |
| 4. | 967525&000418BC | Panel, 11.31 x 27.63            |
| 5. | 967525&000512BC | Panel, 8.29 x 28.5              |
| 6. | 967525&000612CC | Panel, 11.25 x 7.13             |
| 7. | 967525&000712CC | Panel, 11.25 x 6                |
| 8. | 203138-03       | Extrusion, Wall, Plastic, Beige |
|    | 203138-09       | Extrusion, Wall, Plastic, Brown |
|    | 381607-11       | Hinge, Self-close               |
|    | 381228-02       | Catch, Grabber door (5lb Pull)  |
|    | 382057-04       | Cap, Knockdown, White           |
|    | 365429-02       | Edgebanding 15/16: Blk Walnut   |
|    | 365426-02       | Edgebanding-15/16" Natl Elm     |
|    | 365429-01       | Edgebanding 5/8 Blk Walnut      |
|    | 365426-01       | Edbanding-5/8 Natl Elm          |

# 2022 GLOBETROTTER FURNITURE, LAVATORY

Wardrobe, Aft, 25FB



Parts Listed on Next Page

## 2022 GLOBETROTTER FURNITURE, LAVATORY

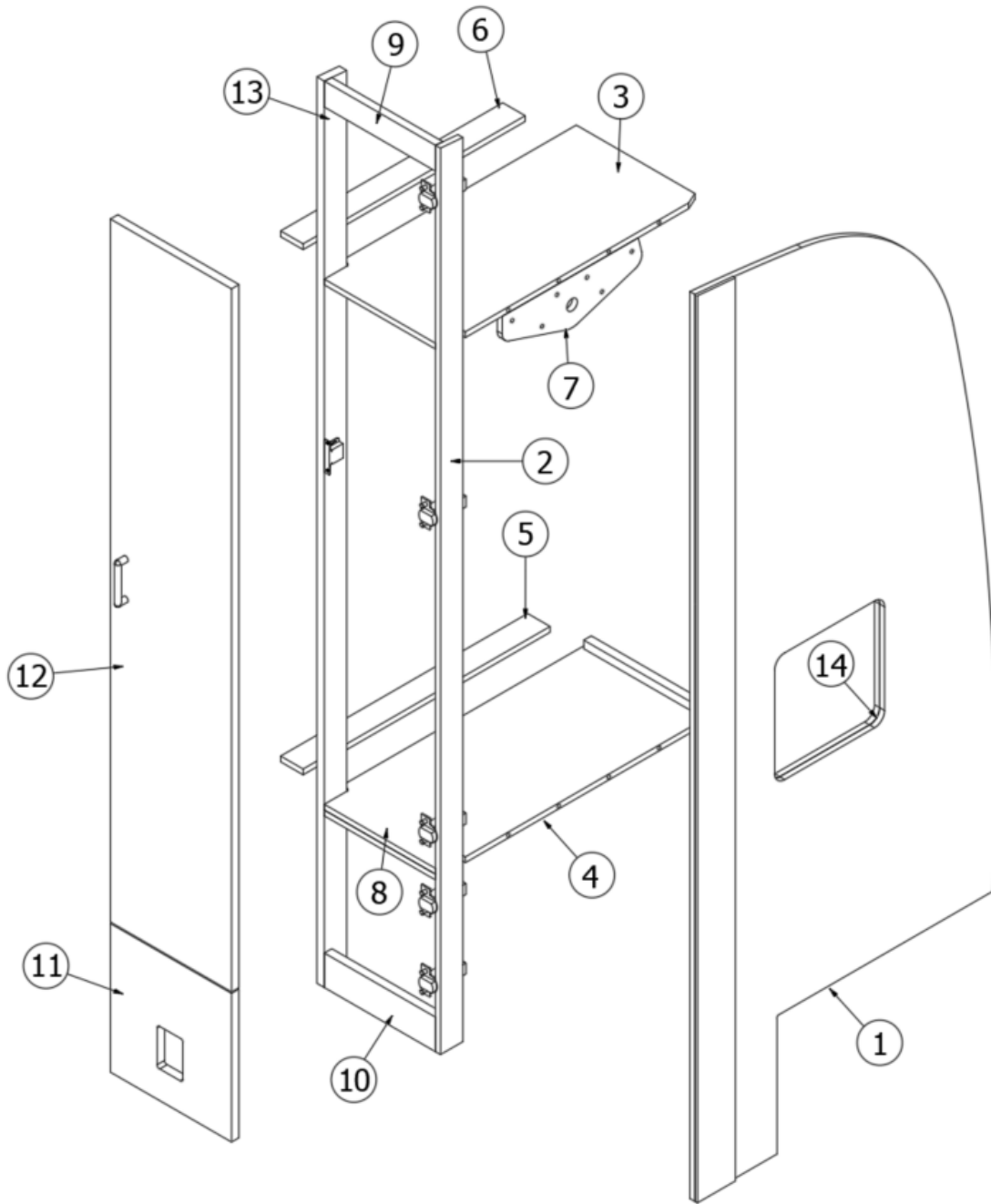
### Wardrobe, Aft, 25FB

969558-01          Wardrobe Assy - 25FB GLO

1.	969558&000112BC	Pre Laminate-30.25 X 78.80
2.	969558&000212CC	Pre Laminate-2.25 X 11.97
3.	969558&000312CC	Pre Laminate-30.25 X 78.80
4.	969558&000412CC	Pre Laminate-5.25 X 16.47
5.	969558&000512CC	Pre Laminate-26.25 X 16.47
6.	969558&000612CC	Pre Laminate-25.94 X 15.97
7.	969558&000712CC	Pre Laminate-14.00 X 4.49
8.	969558&000812CC	Pre Laminate-16.47 X 10.00
9.	969558&000918BC	Pre Laminate-11.97 X 3.00
10.	969558&001018BC	Pre Laminate-11.97 X 2.25
11.	969558&001118BC	Pre Laminate-7.50 X 78.80
12.	969558&001218BC	Pre Laminate-3.00 X 78.80
13.	969558&001318BC	Pre Laminate-12.59 X 1.83
14.	969558&001418BC	Pre Laminate-12.59 X 2.25
15.	969558&001518BC	Pre Laminate-12.59 X 11.81
16.	969558&001618BC	Pre Laminate-12.59 X 62.63
17.	969558&001718BC	Pre Laminate-3.25 X 78.07
18.	380045	Tubing 3/4" Elec Metallic
19.	200975-05	Conduit, Flexible Black Plastic
20.	380046	Flange Chrome
21.	203138-03	Extrusion, Wall, Plastic, Beige
	203138-09	Extrusion, Wall, Plastic, Brown
22.	104821	Bracket, Angle
23.	966883	Assembly, Wardrobe Closeout
	382522	Pull W/Screws - New Haven M516
	365429-01	Edgebanding 5/8 Blk Walnut
	365426-01	Edbanding-5/8 Natl Elm
	365429-02	Edgebanding 15/16: Blk Walnut
	365426-02	Edgebanding-15/16" Natl Elm
	381228-02	Catch Grabber Door C3-803
	381607-11	Hinge-Self Close Overlay
	381607-12	Baseplate-Grass

# 2022 GLOBETROTTER FURNITURE, LAVATORY

Wardrobe, Forward, 27FB



Parts Listed on Next Page

## 2022 GLOBETROTTER FURNITURE, LAVATORY

### Wardrobe, Forward, 27FB

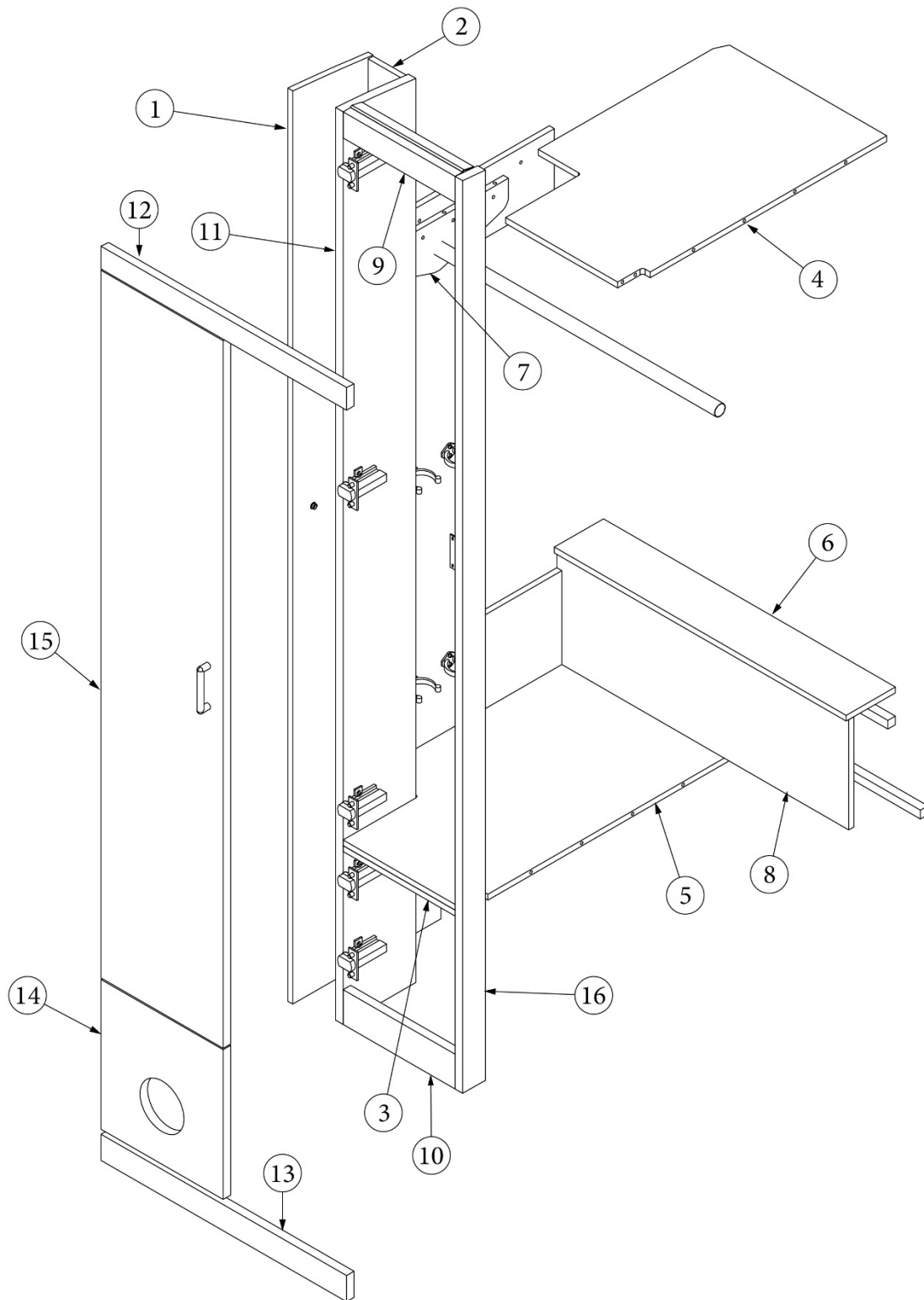
969586-01

Wardrobe Assy - FWD 27FB GLO

- |                     |                                    |
|---------------------|------------------------------------|
| 1. 969586&000112CC  | Pre Laminate-30.12 X 78.74         |
| 2. 969586&000212CC  | Pre Laminate- 0.50 X 2.25 X 78.68  |
| 3. 969586&000312CC  | Pre Laminate- 0.50 X 12.39 X 26.00 |
| 4. 969586&000412CC  | Pre Laminate- 0.50 X 12.39 X 27.25 |
| 5. 969586&000512CC  | Pre Laminate- 0.50 X 2.25 X 24.75  |
| 6. 969586&000612CC  | Pre Laminate- 0.50 X 2.25 X 22.25  |
| 7. 969586&000712CC  | Pre Laminate- 0.50 X 14.00 X 4.49  |
| 8. 969586&000812CC  | Pre Laminate- 0.50 X 11.14 X 2.25  |
| 9. 969586&000918BC  | Pre Laminate- 0.75 X 11.14 X 2.25  |
| 10. 969586&001018BC | Pre Laminate- 0.75 X 11.14 X 3.00  |
| 11. 969586&001118BC | Pre Laminate- 0.75 X 12.14 X 12.91 |
| 12. 969586&001218BC | Pre Laminate- 0.75 X 12.14 X 61.03 |
| 13. 969586&001318CC | Pre Laminate- 0.75 X 2.25 X 78.68  |
| 14. 966883          | Wardrobe closeout                  |
| 382522              | Pull, New Haven                    |
| 381228-02           | Catch, Grabber door (5lb Pull)     |
| 381607-11           | Hinge, Self-close                  |
| 203138-03           | Extrusion, Wall, Plastic, Beige    |
| 203138-09           | Extrusion, Wall, Plastic, Brown    |
| 365429-02           | Edgebanding 15/16: Blk Walnut      |
| 365426-02           | Edgebanding-15/16" Natl Elm        |
| 365386-02           | Edgebanding, Linen, 15/16"         |

# 2022 GLOBETROTTER FURNITURE, LAVATORY

Wardrobe, Aft, 27FB



Parts Listed in Next Page

## 2022 GLOBETROTTER FURNITURE, LAVATORY

### Wardrobe, Aft, 27FB

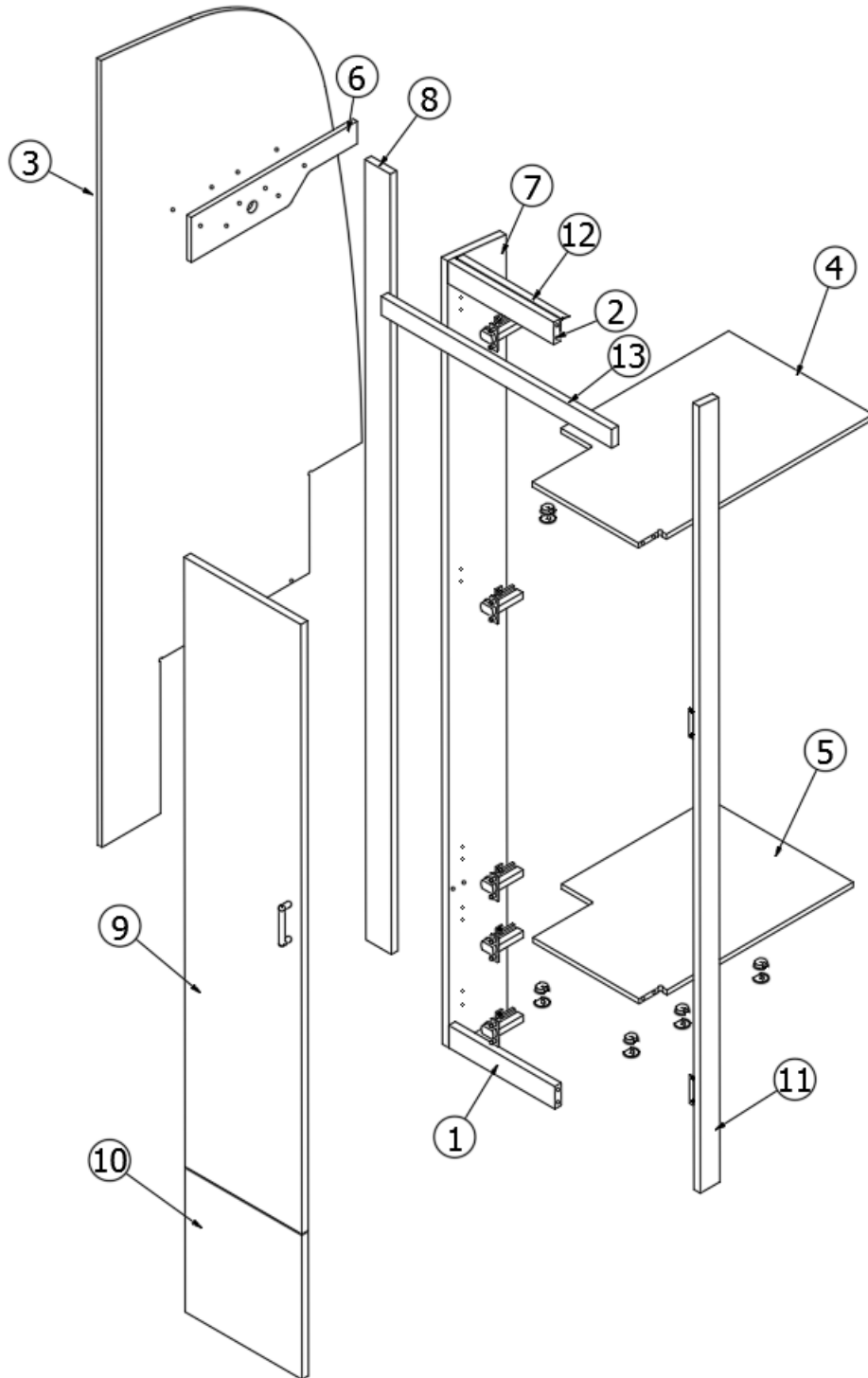
#### 969567-01 Wardrobe Assy - AFT 27FB GLO

1. 969567&000112BC	Panel, 7.25 X 78.74
2. 969567&000212BC	Panel, 3.50 X 77.75
3. 969567&000312CC	Panel, 2.25 X 11.14
4. 969567&000412CC	Panel, 16.64 X 26.00
5. 969567&000512CC	Panel, 16.14 X 27.25
6. 969567&000612CC	Panel, 4.88 X 29.02
7. 969567&000712CC	Panel, 4.50 X 18.75
8. 969567&000912CC	Panel, 9.50 X 29.02
9. 969567&001018BC	Panel, 11.14 X 2.25
10. 969567&001118BC	Panel, 11.14 X 3.00
11. 969567&001218BC	Panel, 7.25 X 78.69
12. 969567&001318BC	Panel, 24.40X1.96
13. 969567&001418BC	Panel, 24.40 X 2.25
14. 969567&001518BC	Panel, 12.14 X 12.91, DOOR
15. 969567&001618BC	Panel, 12.14 X 61.03, DOOR
16. 969567&001718CC	Panel, 2.25 X 78.69 EB1-B02
104821	Support, Roof locker
200975-04	Conduit, Flexible Black Plastic
380045	Tubing 3/4" Elec Metallic
382057-04	Cap, Knockdown, White
382057	Knockdown 8MM
382522	Pull, New Haven
381228-02	Catch, Grabber door (5lb Pull)
381607-11	Hinge, Self-close
381607-12	Baseplate-Grass 9.5X37/32
203138-03	Extrusion, Wall, Plastic, Beige
203138-09	Extrusion, Wall, Plastic, Brown
365429-02	Edgebanding 15/16: Blk Walnut
365426-02	Edgebanding-15/16" Natl Elm
365429-01	Edgebanding 5/8 Blk Walnut
365426-01	Edgebanding-5/8 Natl Elm



# 2022 GLOBETROTTER FURNITURE, LAVATORY

Wardrobe, Forward, 30RB



Parts Listed on Next Page

## 2022 GLOBETROTTER FURNITURE, LAVATORY

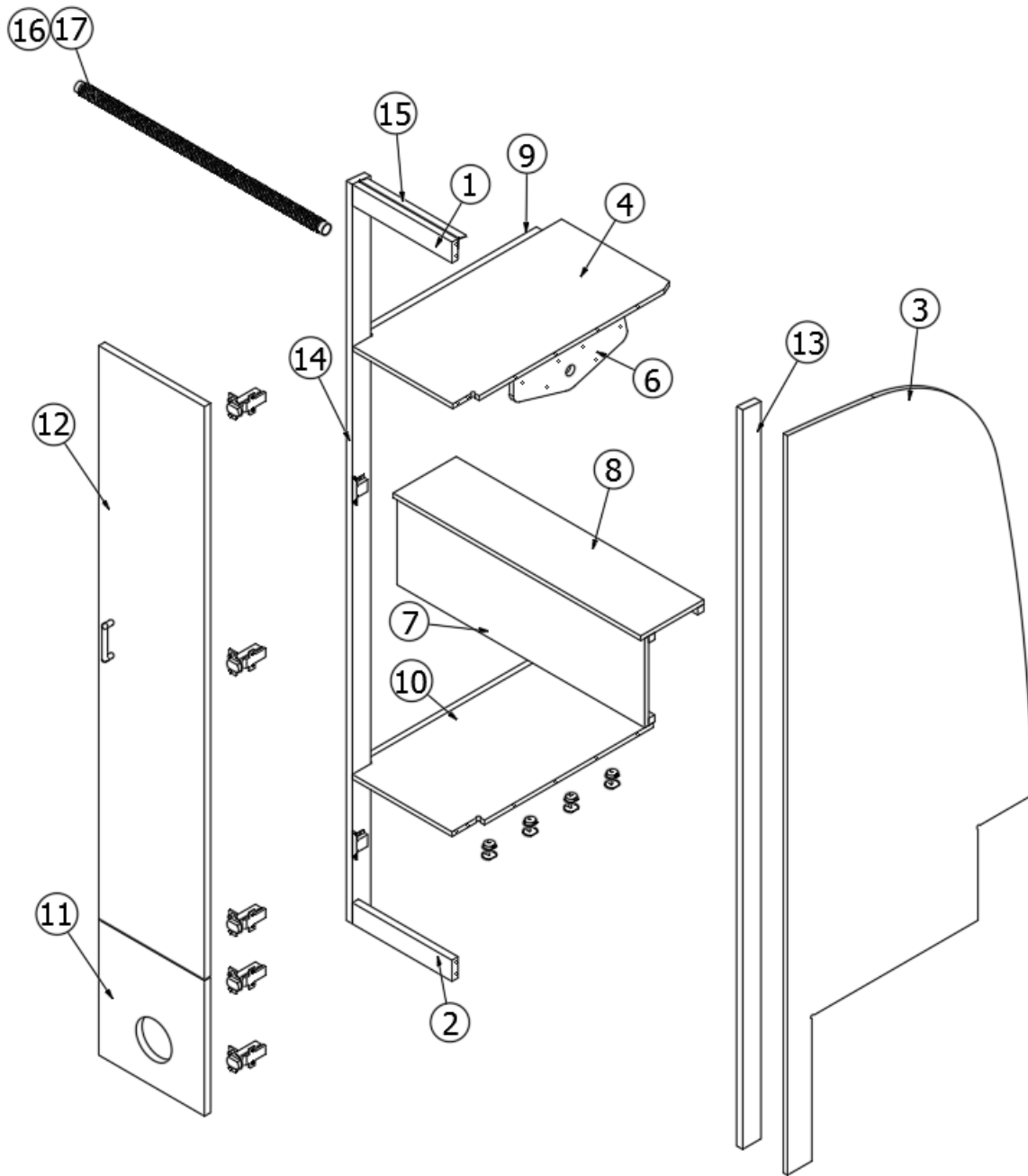
### Wardrobe, Forward, 30RB

969261 Ass'y - Fwd Wardrobe

1.	969261&000112BC	Pre Laminate- 0.75 X 12.25 X 2.25
2.	969261&000212BC	Pre Laminate- 0.75 X 12.75 X 2.25
3.	969261&000312CC	Pre Laminate- 0.50 X 30.07 X 78-70
4.	969261&000412CC	Pre Laminate- 0.50 X 16.69 X 26.38
5.	969261&000512CC	Pre Laminate- 0.50 X 16.69 X 24.00
6.	969261&000612CC	Pre Laminate- 0.50 X 4.50 X 19.17
7.	969261&000718BC	Pre Laminate- 0.75 X 6.75 X 78.70
8.	969261&000818BC	Pre Laminate- 0.75 X 2.94 X 78.06
9.	969261&000918BC	Pre Laminate- 0.75 X 13.50 X 60.98
10.	969261&001018BC	Pre Laminate- 0.75 X 13.50 X 14.41
11.	969261&001118CC	Pre Laminate- 0.75 X 2.25 X 78.70
12.	104821	Support, Rooflocker
13.	969261&001818BC	Pnl-Prelam .75 X 1.88 X 26.62
	382522	Pull, New Haven
	381228-02	Catch, Grabber door (5lb Pull)
	381607-11	Hinge, Self-close
	381607-12	Baseplate-Grass 9.5X37/32
	203138-03	Extrusion, Wall, Plastic, Beige
	203138-09	Extrusion, Wall, Plastic, Brown
	365429-02	Edgebanding 15/16: Blk Walnut
	365426-02	Edgebanding-15/16" Natl Elm
	365429-01	Edgebanding 5/8 Blk Walnut
	365426-01	Edbanding-5/8 Natl Elm
	381228	Catch Grabber Door C3-810
	382057	Knockdown 8MM
	382057-04	Cap-Knockdown Wht #16387

# 2022 GLOBETROTTER FURNITURE, LAVATORY

Wardrobe, Aft, 30RB



Parts Listed on Next Page

## 2022 GLOBETROTTER FURNITURE, LAVATORY

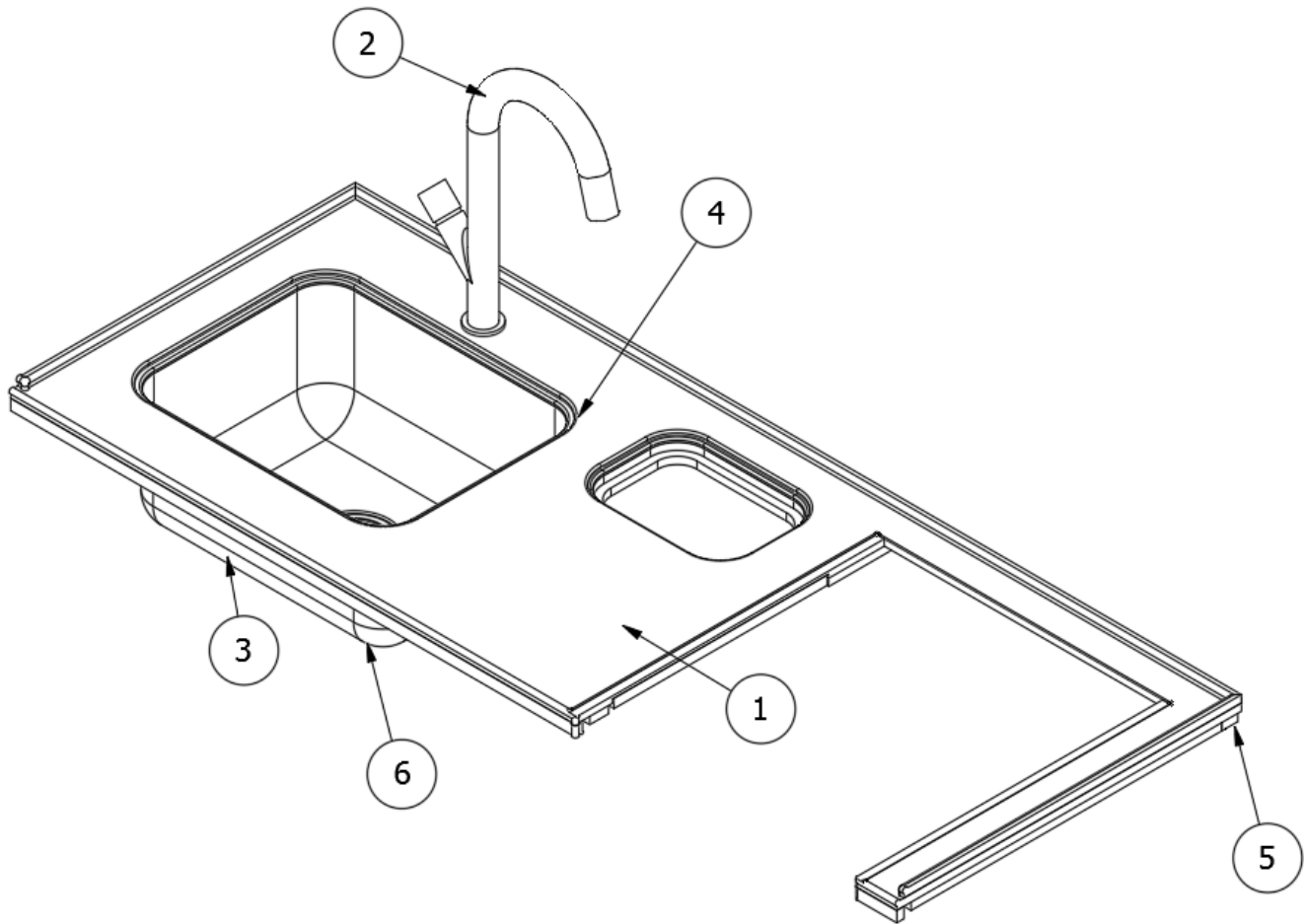
### Wardrobe, Aft, 30RB

969262 Ass'y - Rear Wardrobe

1.	969262&000112BC	Pre Laminate- 0.75 X 12.25 X 2.25
2.	969262&000212BC	Pre Laminate- 0.75 X 12.25 X 2.25
3.	969262&000312CC	Pre Laminate- 0.50 x 30.07 X 78.70
4.	969262&000412CC	Pre Laminate- 0.50 X 13.75 X 26.38
5.	969262&000512CC	Pre Laminate- 0.50 X 13.75 X 24.00
6.	969262&000612CC	Pre Laminate- 0.50 X 14.00 X 4.49
7.	969262&000712CC	Pre Laminate- 0.50 X 30.44 X 9.50
8.	969262&000812CC	Pre Laminate- 0.50 X 30.44 X 7.75
9.	969262&000912CC	Pre Laminate- 0.50 X 2.25 X 22.25
10.	969262&001012CC	Pre Laminate- 0.50 X 2.25 X 21.25
11.	969262&001118BC	Pre Laminate- 0.75 X 13.00X 14.41
12.	969262&001218BC	Pre Laminate- 0.75 X 13.00 X 60.98
13.	969262&001318CC	Pre Laminate- 0.75 X 2.25 X 78.70
14.	969262&001418CC	Pre Laminate- 0.75 X 2.25 X 78.70
15.	104821	Support, Rooflocker
16.	380045	Tubing 3/4" Elec Metallic
17.	200975-04	Conduit, Flexible Black Plastic
	382522	Pull, New Haven
	381228-02	Catch, Grabber door (5lb Pull)
	381607-11	Hinge, Self-close
	381607-12	Baseplate-Grass 9.5X37/32
	203138-03	Extrusion, Wall, Plastic, Beige
	203138-09	Extrusion, Wall, Plastic, Brown
	365429-02	Edgebanding 15/16: Blk Walnut
	365426-02	Edgebanding-15/16" Natl Elm
	365429-01	Edgebanding 5/8 Blk Walnut
	365426-01	Edbanding-5/8 Natl Elm
	381228	Catch Grabber Door C3-810
	382057	Knockdown 8MM
	382057-04	Cap-Knockdown Wht #16387

# 2022 GLOBETROTTER FURNITURE, GALLEY

## Galley Top, 23FB



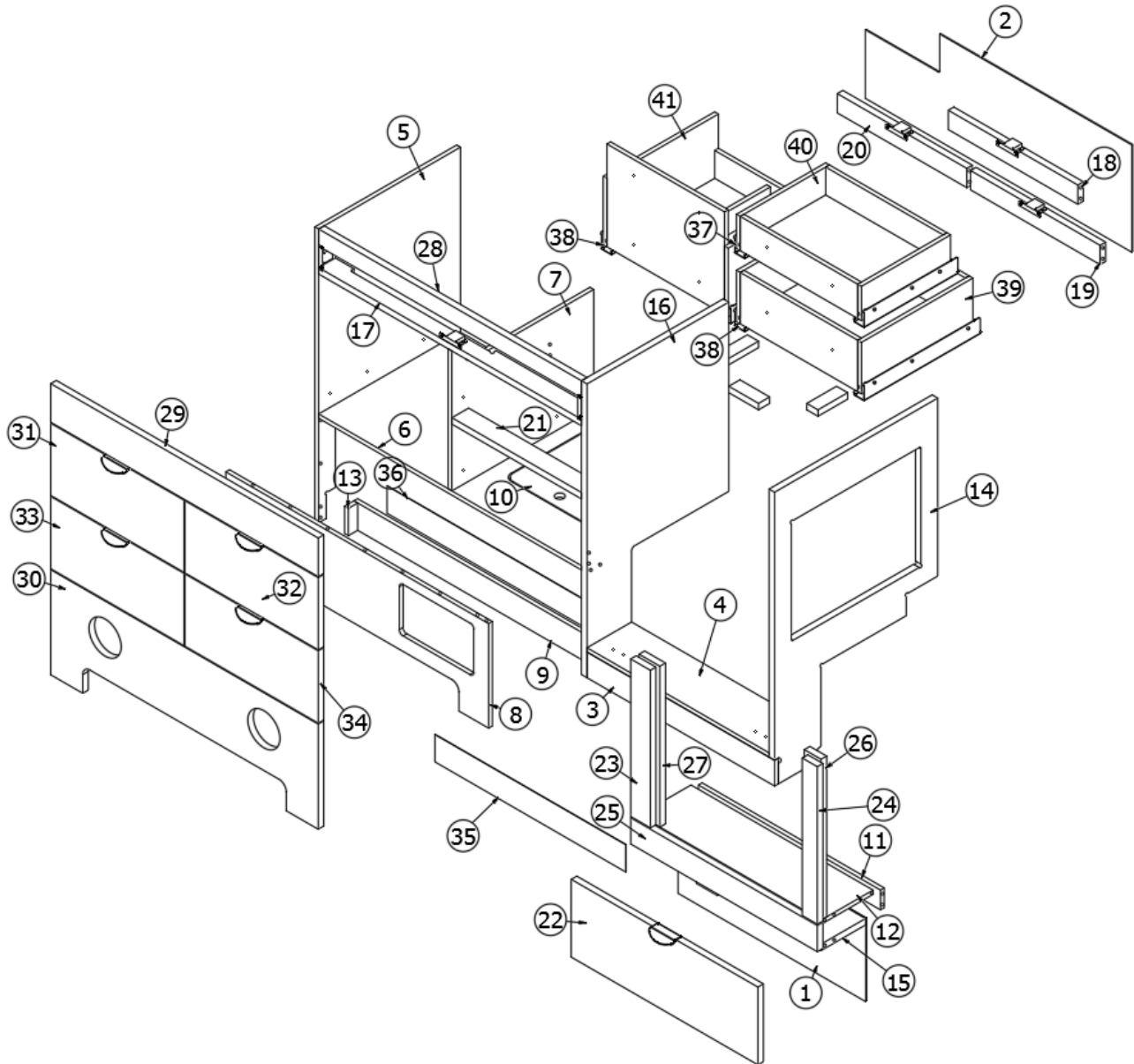
969022

Assembly, Top, Galley, 23FB

- |    |        |   |
|----|--------|---|
| 1. | 602886 | Galley top, Corian, Venaro white                  |
| 2. | 602703 | Faucet, Franke FF3200                             |
| 3. | 602425 | Sink-Moen Single Bowl                             |
| 4. | 602388 | Sink Clips  |
| 5. | 114812 | Aluminum Angle, 1 x 1 x 60                        |
| 6. | 600968 | 4 IN. Plastic Chrome Basket Strainer              |
|    | 602895 | Trash lid, Corian, Venaro white                   |
|    | 602893 | Sink cover, Corian, Venaro white                  |
|    | 382555 | Wastebasket, Rubbermaid, 10 x 7 x 9"              |
|    | 381708 | Wastebasket, Rubbermaid, 11-3/8 x 8-1/4 x 12-1/8" |

# 2022 GLOBETROTTER FURNITURE, GALLEY

## Galley Cabinet, Standard Oven 23FB



### 968969-01 Assembly, Galley Base Standard Oven

- |    |                 |                            |
|----|-----------------|----------------------------|
| 1. | 968969&010103CE | Panel, 9.69 X 25.25        |
| 2. | 968969&010403CE | Panel, 35.88 X 12.50       |
| 3. | 968969&010512CC | Panel, 3.00 X 25.25        |
| 4. | 968969&010712CC | Panel, 6.00 X 24.50        |
| 5. | 968969&010912CC | Panel, 19.09 X 34.25       |
| 6. | 968969&011012CC | Panel, 35.38 X 19.09       |
| 7. | 968969&011112CC | Pre Laminate-19.09 X 16.31 |
| 8. | 968969&011212CC | Panel, 35.38 X 12.19       |
| 9. | 968969&011312CC | Panel, 32.38 X 3.19        |

Parts Continued on Next Page

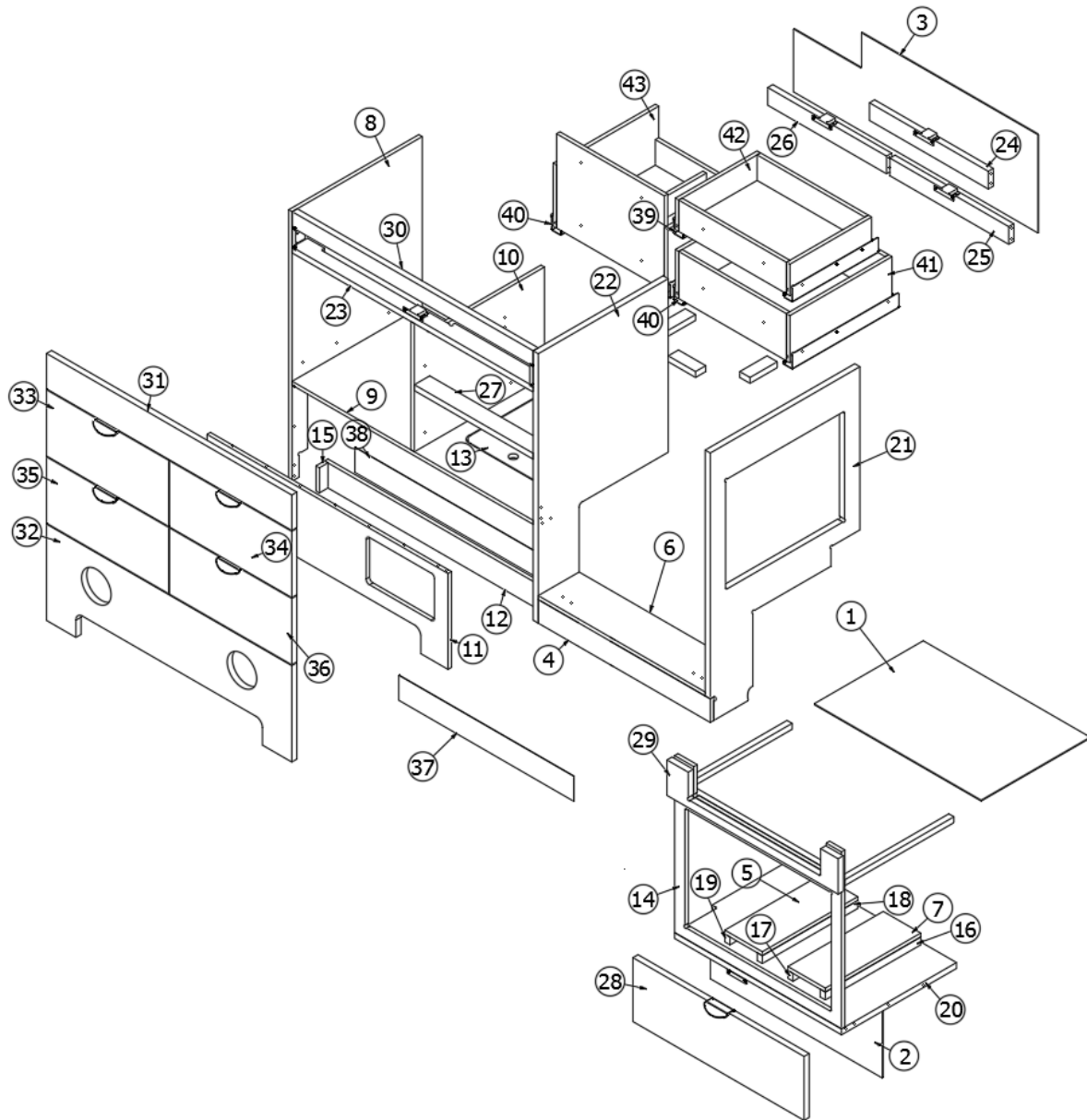
## 2022 GLOBETROTTER FURNITURE, GALLEY

### Galley Cabinet, Standard Oven 23FB, Continued

10.	968969&011412CC	Panel, 11.75 X 13.88
11.	968969&011512CC	Pre Laminate- 0.50 X 2.31 X 24.50
12.	968969&011612FC	Panel, 7.00 X 24.50
13.	968969&011812FC	Panel, 1.25 X 3.19
14.	968969&012418CC	Panel, 21.96 X 34.25
15.	968969&012518CC	Panel, 6.00 X 24.50
16.	968969&012618CC	Pre Laminate- 0.75 X 19.09 X 34.25
17.	968969&012718CC	Panel, 35.38 X 2.25
18.	968969&012818CC	Pre Laminate-2.25 X 17.44
19.	968969&012918CC	Pre Laminate-2.25 X 17.44
20.	968969&013018CC	Pre Laminate-2.25 X 17.44
21.	968969&013118CC	Pre Laminate-2.25 X 17.44
22.	968969&013318FC	Pre Laminate- 0.75 X 25.13 X 9.07
23.	968969&013418FC	Panel, 18.37 X 2.66
24.	968969&013518FC	Panel, 18.37 X 2.03
25.	968969&013618FC	Panel, 3.04 X 25.13
26.	968969&013818FC	Panel, 18.75 X 2.25
27.	968969&013918FC	Panel, 18.75 X 2.81
28.	968969&014018FC	Panel, 2.00 X 35.38
29.	968969&014118FC	Panel, 36.00 X 12.25
30.	968969&014218FC	Pre Laminate-36.00 X 12.25
31.	968969&014318FC	Pre Laminate- 0.75 X 17.94 X 8.41
32.	968969&014418FC	Pre Laminate- 0.75 X 17.94 X 8.41
33.	968969&014518FC	Pre Laminate- 0.75 X 17.94 X 8.41
34.	968969&014618FC	Pre Laminate- 0.75 X 17.94 X 8.41
35.	116086	Toe Kick-Galley Aluminum 23FB
36.	116087	Toe Kick - Galley Aluminum 23FB
37.	382807-06	Drawer slide, Self-close, 12"
38.	382807-07	Drawer slide, Self-close, 15"
39.	969707-05	Drawer box, 6 x 15 x 16.81"
40.	969705-03	Drawer box, 4 x 12 x 16.81"
41.	969038	Double Door Drawer Box Assembly
	381228-02	Catch Grabber Door C3-805
	381607-11	Hinge-Self Close Overlay
	381607-12	Baseplate-Grass 9.5X37/32
	381607-16	Clip-Steel Grass Hinge
	382203-06	Clips Front Fixing (Right/Left)
	365429-01	Edgebanding 5/8 Blk Walnut, Dark Walnut
	365427-01	Edgebanding 5/8" Citadel, Natural Elm
	365429-02	Edgebanding 15/16: Blk Walnut, Dark Walnut
	365427-02	Edgebanding-15/16" Citadel, Natural Elm
	382521	Handle-Tab Pull Pol Chrome W/Screws Glo

# 2022 GLOBETROTTER FURNITURE, GALLEY

## Galley Cabinet, Convection Oven, 23FB



968969-02

Assembly - Galley Base W/Convection Oven

- |    |                 |                      |
|----|-----------------|----------------------|
| 1. | 968969&020203CE | Panel, 24.50 X 16.00 |
| 2. | 968969&020303CE | Panel, 8.50 X 25.25  |
| 3. | 968969&020403CE | Panel, 35.88 X 12.50 |
| 4. | 968969&020512CC | Panel, 3.00 X 25.25  |
| 5. | 968969&020612CC | Panel, 14.00 X 5.50  |
| 6. | 968969&020712CC | Panel, 6.00 X 24.50  |
| 7. | 968969&020812CC | Panel, 14.00 X 5.50  |
| 8. | 968969&020912CC | Panel, 19.09 X 34.25 |
| 9. | 968969&021012CC | Panel, 35.38 X 19.09 |

Parts Continued on next page



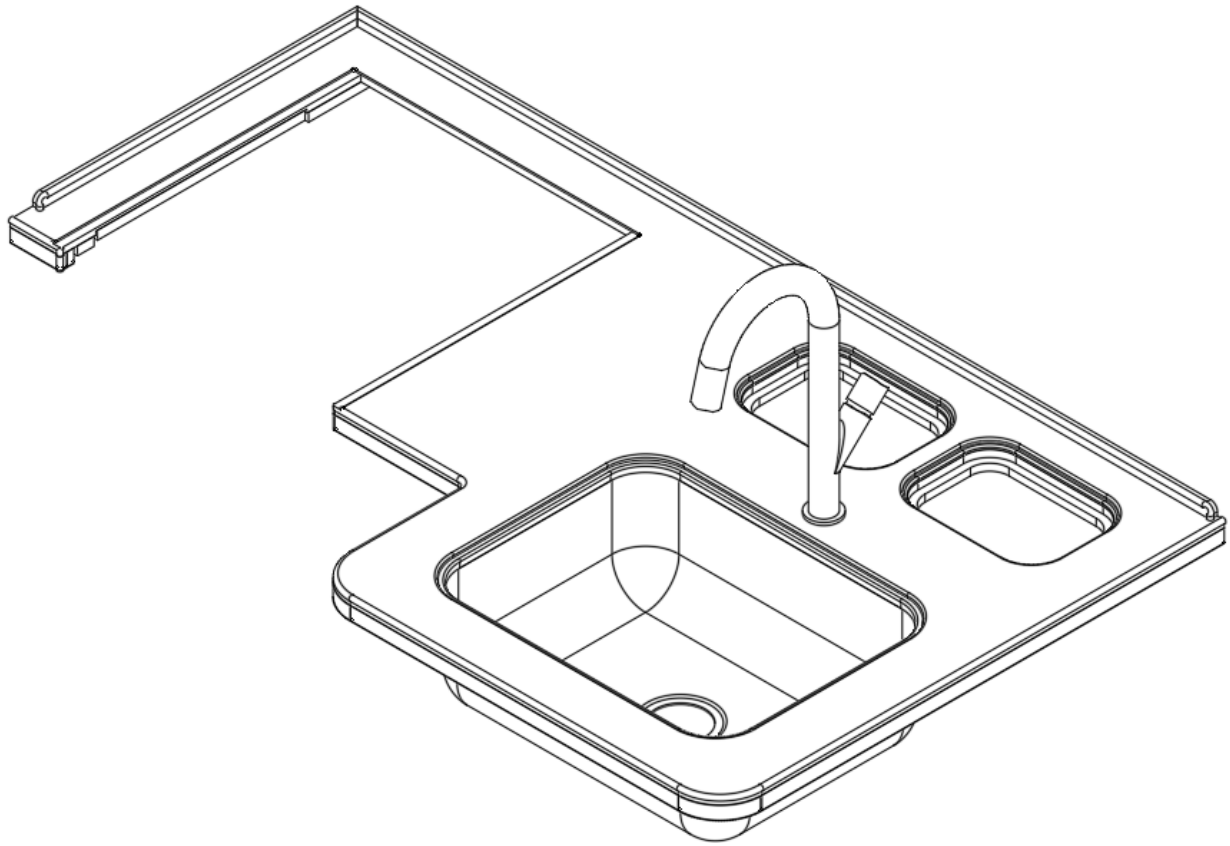
## 2022 GLOBETROTTER FURNITURE, GALLEY

### Galley Cabinet, Convection Oven, 23FB continued

10.	968969&021112CC	Pre Laminate-19.09 X 16.31
11.	968969&021212CC	Panel, 35.38 X 12.19
12.	968969&021312CC	Panel, 32.38 X 3.19
13.	968969&021412CC	Panel, 11.75 X 13.88
14.	968969&021712FC	Panel, 22.50 X 24.50
15.	968969&021812FC	Panel, 1.25 X 3.19
16.	968969&021918CC	Panel, 14.00 X 1.00
17.	968969&022018CC	Panel, 14.00 X 1.00
18.	968969&022118CC	Panel, 14.00 X 1.00
19.	968969&022218CC	Panel, 14.00 X 1.00
20.	968969&022318CC	Panel, 16.88 X 25.25
21.	968969&022418CC	Panel, 21.96 X 34.25
22.	968969&022618CC	Pre Laminate- 0.75 X 19.09 X 34.25
23.	968969&022718CC	Panel, 35.38 X 2.25
24.	968969&022818CC	Pre Laminate-2.25 X 17.44
25.	968969&022918CC	Pre Laminate-2.25 X 17.44
26.	968969&023018CC	Pre Laminate-2.25 X 17.44
27.	968969&023118CC	Pre Laminate-2.25 X 17.44
28.	968969&023218FC	Pre Laminate- 0.75 X 25.13 X 8.13
29.	968969&023718FC	Pre Laminate- 0.75 X 25.13 X 4.51
30.	968969&024018FC	Panel, 2.00 X 35.38
31.	968969&024118FC	Panel, 36.00 X 4.51
32.	968969&024218FC	Pre Laminate-36.00 X 12.25
33.	968969&024318FC	Pre Laminate- 0.75 X 17.94 X 8.41
34.	968969&024418FC	Pre Laminate- 0.75 X 17.94 X 8.41
35.	968969&024518FC	Pre Laminate- 0.75 X 17.94 X 8.41
36.	968969&024618FC	Pre Laminate- 0.75 X 17.94 X 8.41
37.	116086	Toe Kick-Galley Aluminum 23FB
38.	116087	Toe Kick - Galley Aluminum 23FB
39.	382807-06	Drawer slide, Self-close, 12"
40.	382807-07	Drawer slide, Self-close, 15"
41.	969707-05	Drawer box, 6 x 15 x 16.81"
42.	969705-03	Drawer box, 4 x 12 x 16.81"
43.	969038	Double Door Drawer Box Assembly
	381228-02	Catch Grabber Door C3-805
	381607-11	Hinge-Self Close Overlay
	381607-12	Baseplate-Grass 9.5X37/32
	381607-16	Clip-Steel Grass Hinge
	382203-06	Clips Front Fixing (Right/Left)
	365429-01	Edgebanding 5/8 Blk Walnut, Dark Walnut
	365427-01	Edgebanding 5/8" Citadel, Natural Elm
	365429-02	Edgebanding 15/16: Blk Walnut, Dark Walnut
	365427-02	Edgebanding-15/16" Citadel, Natural Elm
	382521	Handle-Tab Pull Pol Chrome W/Screws Glo

# 2022 GLOBETROTTER FURNITURE, GALLEY

## Galley Top, 25FB



968891

Galley Top, 25FB

602887

Galley top, Corian, Verano white

602703

Faucet, Single hole pull down, Franke

602894

Sink cover, Corian, Verano white

602829

Sink, Single bowl, Moen

602895

Trash lid, Corian, Verano white

602388

Clip, Sink

600968

4 IN. Plastic Chrome Basket Strainer

382555

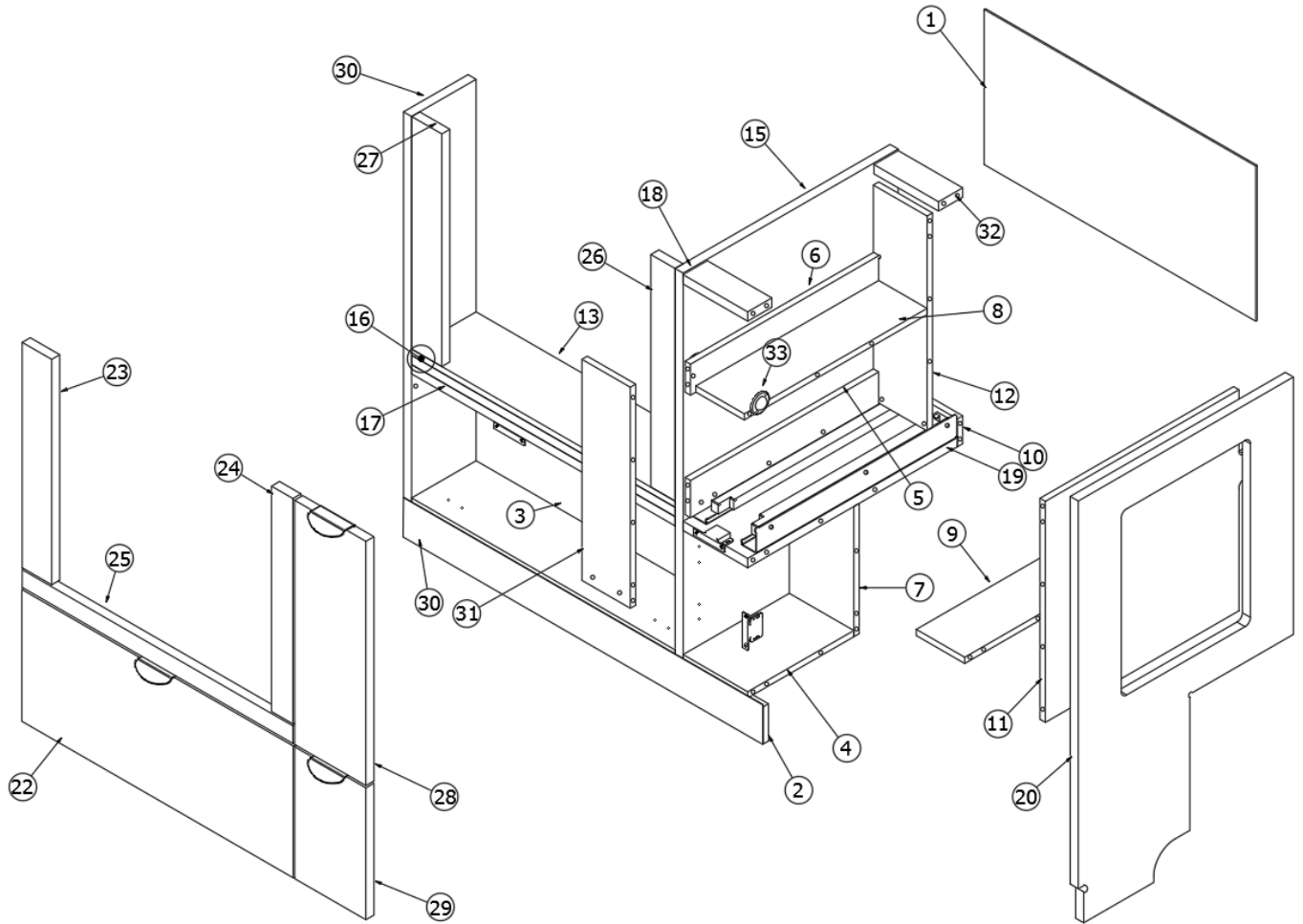
Wastebasket, 10 x 7 x 9, White

381708

Wastebasket, 11.38 x 8.25 x 12.13, Black

# 2022 GLOBETROTTER FURNITURE, GALLEY

## Galley, Oven Cabinet, 25FB



Parts Listed on Next Page

# 2022 GLOBETROTTER

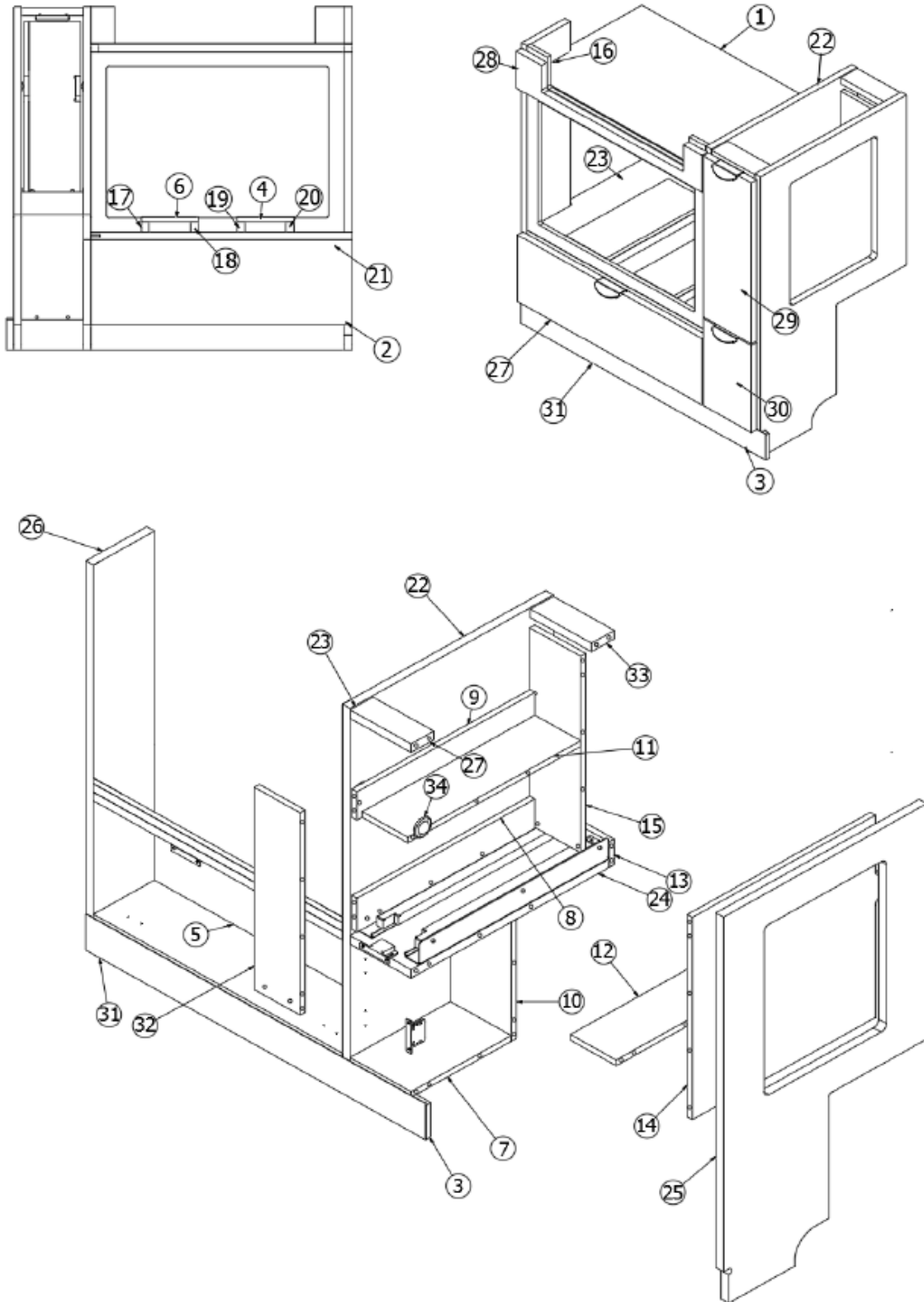
## FURNITURE, GALLEY

### Galley, Oven Cabinet, 25FB

968907-01	Cabinet Base Assembly, Oven 25FBGLO
1. 968907&010103CE	Panel, 12.50 X 25.25
2. 968907&010412CC	Panel, 3.00 X 32.69
3. 968907&010618CC	Panel, 6.00 X 24.50
4. 968907&010818CC	Panel, 6.00 x 9.88
5. 968907&010912CC	Pre Laminate, .50 X 17.50 X 3.00
6. 968907&011012CC	Pre Laminate, .50 X 20.00 X 2.50
7. 968907&011112CC	Panel, 6.00 X 10.50
8. 968907&011212CC	Panel, 4.50 X 17.00
9. 968907&011312CC	Panel, 5.00 X 17.00
10. 968907&011412CC	Panel, 6.00 X 2.25
11. 968907&011512CC	Panel, 17.82 X 20.00
12. 968907&011612CC	Panel, 5.50 X 17.32
13. 968907&011712FC	Panel, 6.00 X 24.50
14. 968907&012318CC	Panel, 16.88 X 25.25
15. 968907&012418CC	Panel, 20.00 X 34.25
16. 968907&012518CC	Panel, 2.25 X 24.50
17. 968907&012618CC	Panel, 2.25 X 24.50
18. 968907&012718CC	Panel, 6.00 X 2.25
19. 968907&012818CC	Panel, 6.00 X 19.5
20. 968907&012918CC	Pre Laminate,.75 X 20.00 X 34.25
21. 968907&013018FC	Pre Laminate,.75 X 6.00 X 34.25
22. 968907&013218FC	Pre Laminate, 25.25 X 10.38
23. 968907&013318FC	Panel, 18.17 X 2.74
24. 968907&013418FC	Panel, 18.17 X 1.99
25. 968907&013518FC	Panel, 1.42 X 25.17
26. 968907&013718FC	Panel, 18.75 X 2.25
27. 968907&013818FC	Panel, 18.75 X 2.81
28. 968907&013918FC	Panel, 6.63 X 19.69
29. 968907&014018FC	Panel, 6.63 X 10.63
30. 116027	Toe Kick, Aluminum Galley
31. 968907&015012CC	Panel, 4.5 X 17.82
32. 968907&015118CC	Panel, 6.00 X 2.25
33. 382639	Mount Ball Transfer, Recessed Flange
365429-02	Edgebanding 15/16: Blk Walnut, Dark Walnut
365427-02	Edgebanding-15/16" Citadel, Natural Elm
365429-01	Edgebanding 5/8 Blk Walnut, Dark Walnut
365427-01	Edgebanding 5/8" Citadel, Natural Elm
382521	Handle-Tab Pull Pol Chrome W/Screws Glo
381228-01	Catch Grabber Door 3 Lb.
381228-02	Catch Grabber Door 5 Lb.
382203-06	Clips Front Fixing (Right/Left)
382203-04	Drawer Slide 18"
381607-11	Hinge-Self Close Overlay
381607-12	Baseplate-Grass
381607-16	Clip-Steel Grass Hinge

# 2022 GLOBETROTTER FURNITURE, GALLEY

## Galley Cabinet, Convection Option 25FB



Parts Listed on Next Page

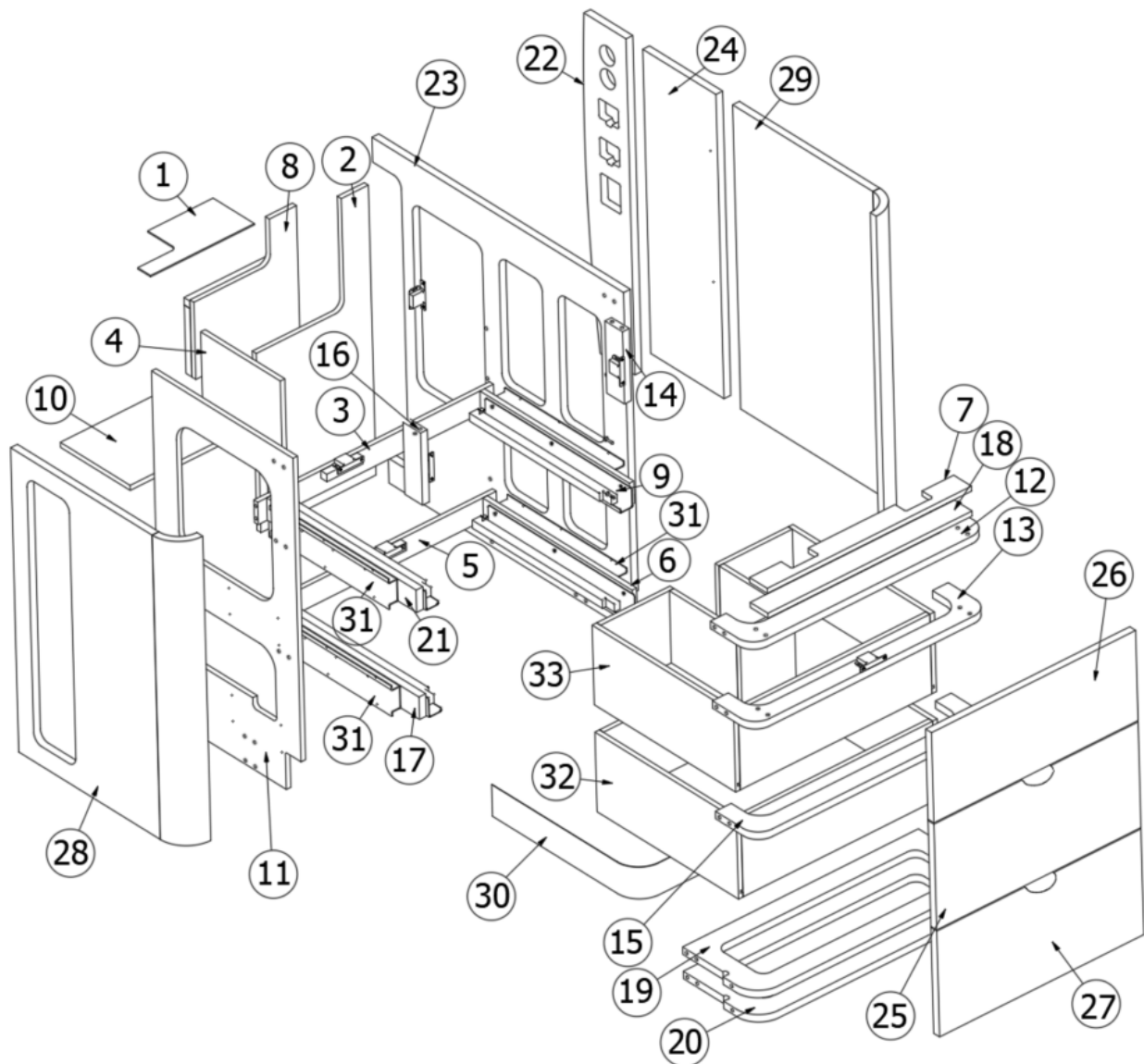
## 2022 GLOBETROTTER FURNITURE, GALLEY

### Galley Cabinet, Convection Option 25FB

	968907-02	Cabinet Base, Convection Microwave
1.	968907&020203CE	Panel, 25.25 X 16.00
2.	968907&020303CE	Panel, 8.50 X 25.25
3.	968907&020412CC	Panel, 3.00 X 32.69
4.	968907&020512CC	Panel, 14.00 X 5.50
5.	968907&020618CC	Panel, 6.00 X 24.50
6.	968907&020712CC	Panel, 14.00 X 5.50
7.	968907&020818CC	Panel, 6.00 x 9.88
8.	968907&020912CC	Pre Laminate, .50 X 17.63 X 2.25
9.	968907&021012CC	Pre Laminate, .50 X 17.63 X 6.00
10.	968907&021112CC	Panel, 6.00 X 10.50
11.	968907&021212CC	Panel, 4.50 X 17.00
12.	968907&021312CC	Panel, 4.50 X 17.00
13.	968907&021412CC	Panel, 6.00 X 2.25
14.	968907&021512CC	Panel, 17.82 X 20.00
15.	968907&021612CC	Panel, 5.00 X 17.32
16.	968907&021812FC	Panel, 22.50 X 24.50
17.	968907&021918CC	Panel, 14.00 X 1.00
18.	968907&022018CC	Panel, 14.00 X 1.00
19.	968907&022118CC	Panel, 14.00 X 1.00
20.	968907&022218CC	Panel, 14.00 X 1.00
21.	968907&022318CC	Panel, 16.88 X 25.25
22.	968907&022418CC	Panel, 20.00 X 34.25
23.	968907&022718CC	Panel, 6.00 X 18.25
24.	968907&022818CC	Panel, 6.00 X 18.25
25.	968907&022918CC	Pre Laminate, .75 X 18.75 X 34.25
26.	968907&023018FC	Pre Laminate, .75 X 6.00 X 34.25
27.	968907&023118FC	Pre Laminate, .75 X 25.25 X 8.13
28.	968907&023618FC	Panel, 25.44 X 4.50
29.	968907&023918FC	Panel, 6.63 X 19.69
30.	968907&024018FC	Panel, 6.63 X 10.63
31.	116027	Toe Kick, Aluminum Galley
32.	968907&025012CC	Panel, 4.5 X 17.82
33.	968907&025118CC	Panel, 6.00 X 2.25
34.	382639	Mount Ball Transfer, Recessed Flange
	365429-01	Edgebanding 5/8 Blk Walnut, Dark Walnut
	365427-01	Edgebanding 5/8" Citadel, Natural Elm
	365429-02	Edgebanding 15/16: Blk Walnut, Dark Walnut
	365427-02	Edgebanding-15/16" Citadel, Natural Elm
	382521	Handle-Tab Pull Pol Chrome W/Screws Glo
	381228-01	Catch Grabber Door 3 Lb.
	381228-02	Catch Grabber Door 5 Lb.
	382203-06	Clips Front Fixing (Right/Left)
	382203-04	Drawer Slide 18"
	381607-11	Hinge-Self Close Overlay
	381607-12	Baseplate-Grass
	381607-16	Clip-Steel Grass Hinge

# 2022 GLOBETROTTER FURNITURE, GALLEY

## Galley Base, Aft 25FB



### 968890 Cabinet-Galley Base Aft 25FBGL

- |    |                 |                      |
|----|-----------------|----------------------|
| 1. | 968890&000103CE | Panel, 5.25 X 11.50  |
| 2. | 968890&000218CC | Panel, 12.75 X 29.13 |
| 3. | 968890&000312CC | Panel, 2.25 X 26.13  |
| 4. | 968890&000412CC | Panel, 7.00 x 9.88   |
| 5. | 968890&000512CC | Panel, 2.25 X 26.13  |
| 6. | 968890&000612CC | Panel, 2.25 X 19.00  |
| 7. | 968890&000712CC | Panel, 2.25 X 22.63  |
| 8. | 968890&000812CC | Panel, 11.50 X 13.00 |
| 9. | 968890&000912CC | Panel, 2.25 X 19.00  |

Parts Continued on Next Page

# 2022 GLOBETROTTER

## FURNITURE, GALLEY

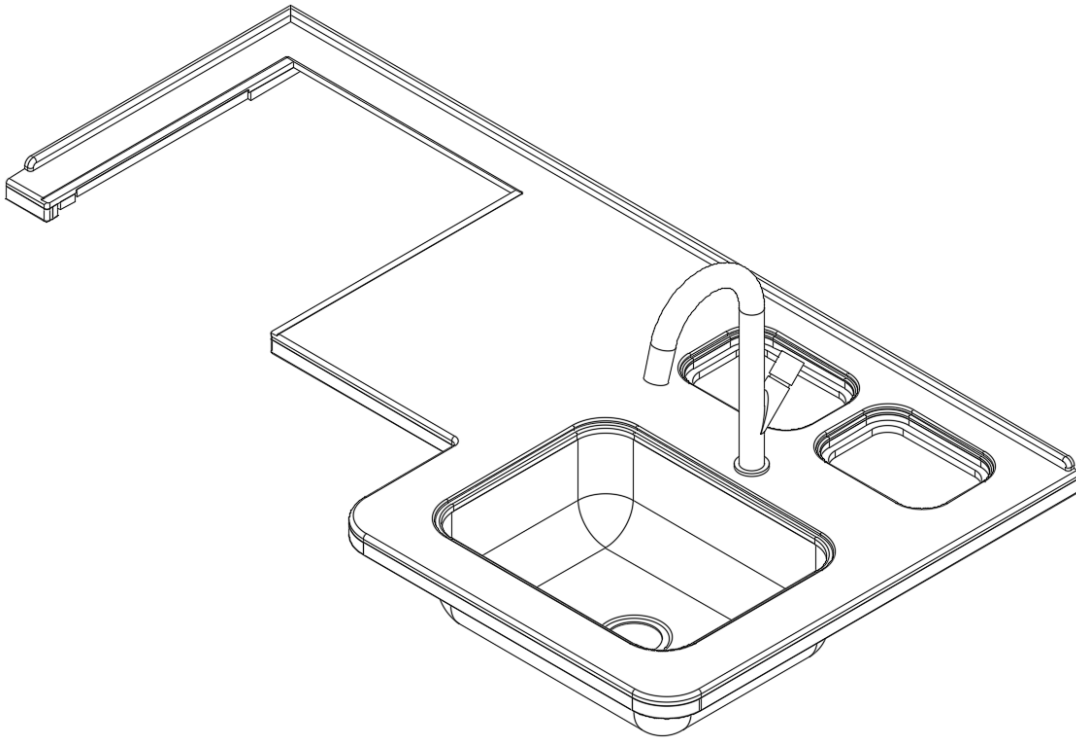
### Galley Base, Aft 25FB, Continued

10.	968890&001012FC	Panel, 8.63 X 11.50
11.	968890&001112FC	Panel, 34.25 X 18.00
12.	968890&001218CC	Panel, 5.25 X 26.13
13.	968890&001318CC	Panel, 5.25 X 26.13
14.	968890&001418CC	Panel, 2.25 X 7.25
15.	968890&001518CC	Panel, 5.25 X 26.13
16.	968890&001618CC	Panel, 2.25 X 7.25
17.	968890&001718CC	Panel, 2.25 X 19.00
18.	968890&001812CC	Panel, 2.25 X 22.63
19.	968890&001918CC	Panel, 9.88 X 27.38
20.	968890&002018CC	Panel, 27.38 X 9.88
21.	968890&002118CC	Panel, 2.25 X 19.00
22.	968890&002218FC	Panel, 5.69 X 33.76
23.	968890&002318FC	Panel, 32.00 X 34.25
24.	968890&002418FC	Panel, 9.07 X 30.57
25.	968890&002518FC	Panel, 22.63 X 10.63
26.	968890&002618FC	Panel, 22.63 X 9.07
27.	968890&002718FC	Panel, 22.63 X 10.63
28.	968905	Sub Assembly, Left Radius Galley Panel
29.	968735	Sub Assembly, Right Radius Galley
30.	115908	Aluminum Toe Kick, Galley
31.	115910	Spacer-Drawer Slide Alum.
32.	969708-07	Drawer box, 8 x 18 x 22.5"
33.	968725	Special-8.00 Drawer Box
	381228	Catch Grabber Door C3-810
	365429-01	Edgebanding 5/8 Blk Walnut, Dark Walnut
	365427-01	Edgebanding 5/8" Citadel, Natural Elm
	365429-02	Edgebanding 15/16: Blk Walnut, Dark Walnut
	365427-02	Edgebanding-15/16" Citadel, Natural Elm
	203440	T Molding-Black Embossed .8125", Natural Elm
	382521	Handle-Tab Pull Pol Chrome W/Screws Glo
	382522	Pull W/Screws - New Haven M516
	381228-02	Catch Grabber Door 5 Lb.
	382203-06	Clips Front Fixing (Right/Left)
	382203-04	Drawer Slide 18"
	381607-11	Hinge-Self Close Overlay
	381607-12	Baseplate-Grass
	381607-16	Clip-Steel Grass Hinge
	382626-01	Cutlery Insert



# 2022 GLOBETROTTER FURNITURE, GALLEY

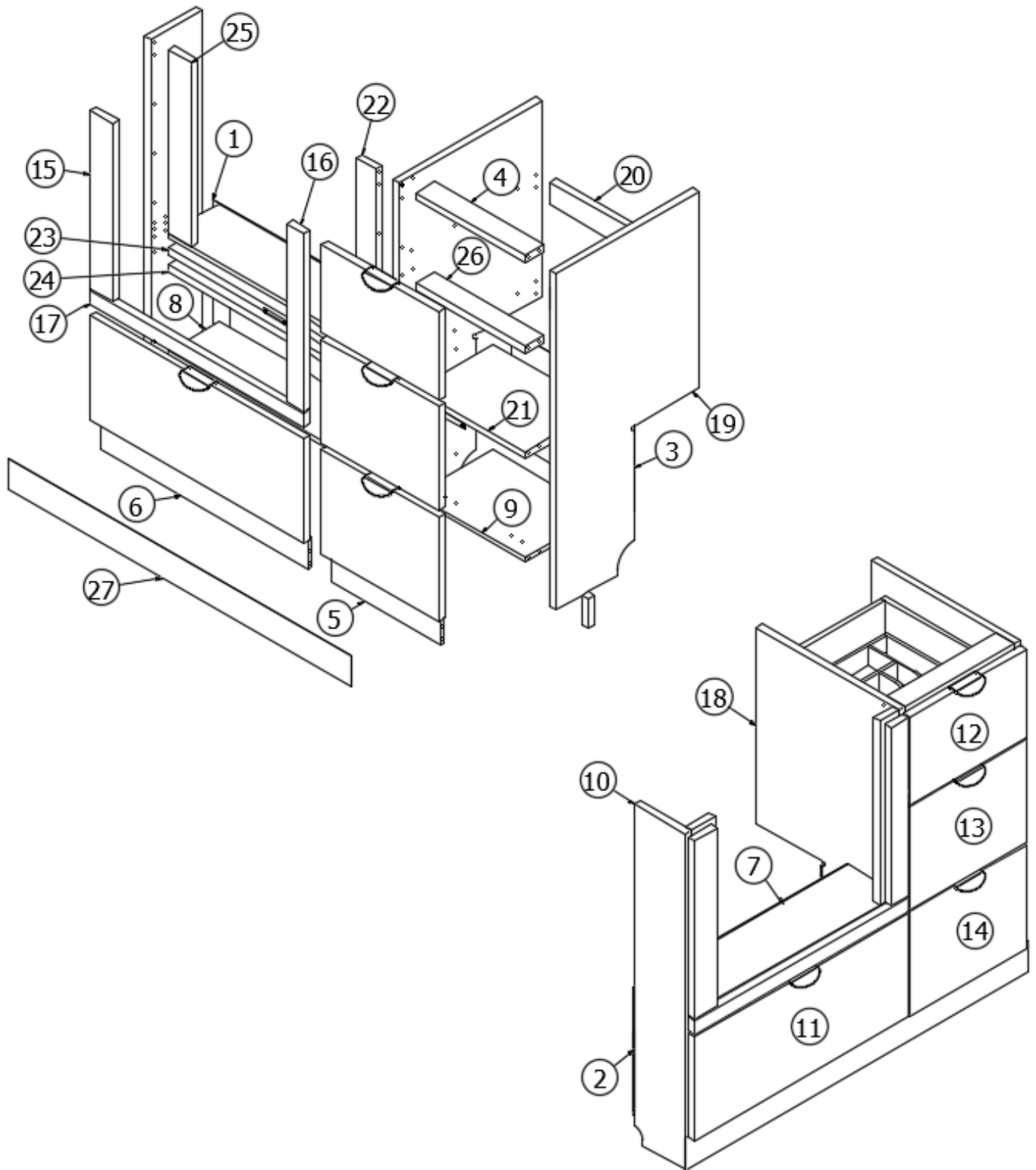
## Galley Top, 27FB



968683	Galley Top
602888	Galley top, Corian, Verano white
602703	Faucet, Single hole pull down, Franke
602894	Sink cover, Corian, Verano white
602829	Sink, Single bowl, Moen
602895	Trash lid, Corian, Verano white
602388	Clip, Sink
600968	4 IN. Plastic Chrome Basket Strainer
382555	Wastebasket, 10 x 7 x 9, White
381708	Wastebasket, 11.38 x 8.25 x 12.13, Black

# 2022 GLOBETROTTER FURNITURE, GALLEY

## Galley, Oven Cabinet, 27FB



Parts Listed on Next Page

## 2022 GLOBETROTTER FURNITURE, GALLEY

### Galley, Oven Cabinet, 27FB

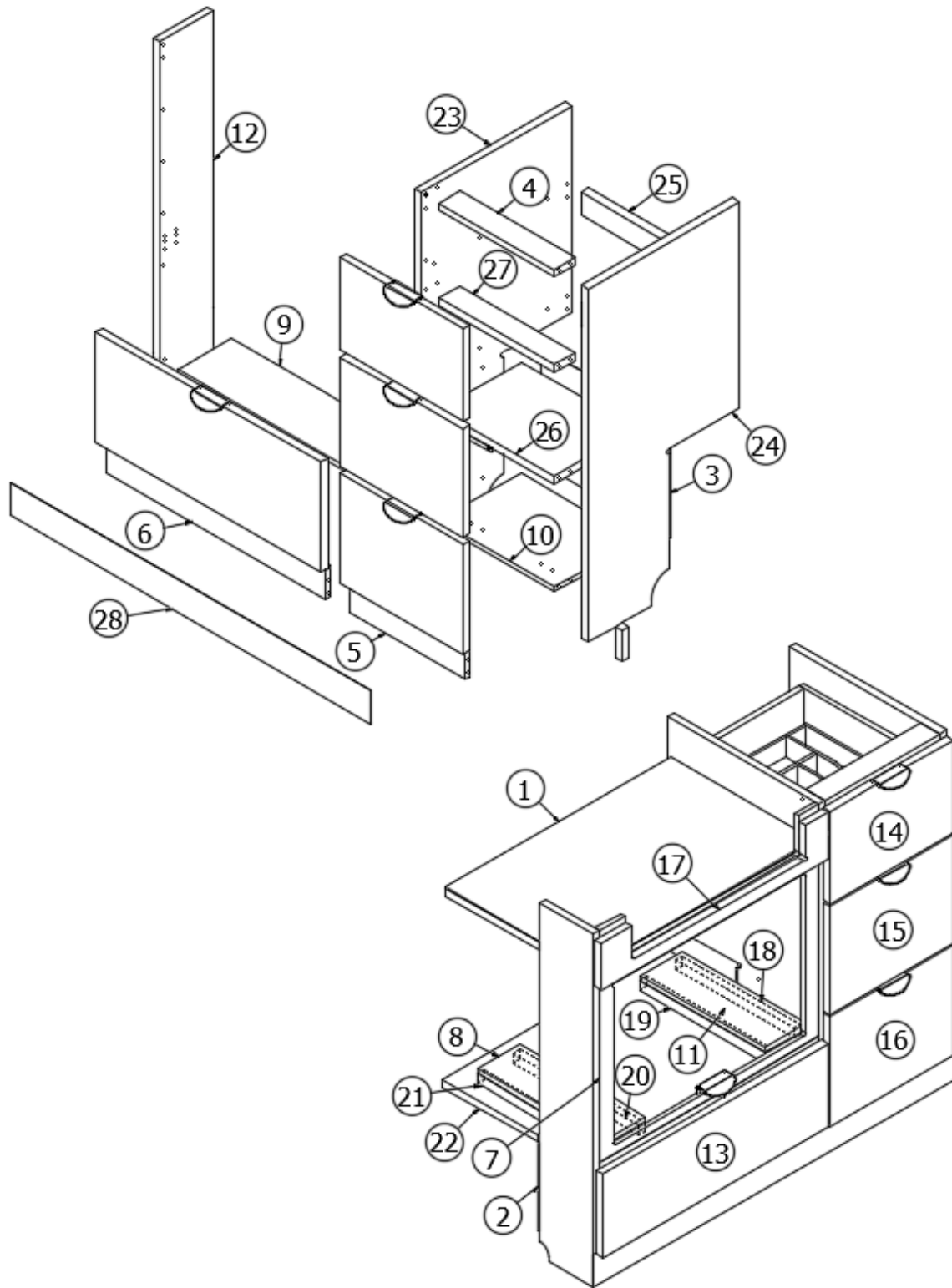
968681-01

Galley Standard Oven Section

1. 968681&000103CE	Panel, 25.25 x 12.5
2. 968681&000303CE	Panel, 25.25 x 16
3. 968681&000403CE	Panel, 14.38 x 11.25
4. 968681&000518FC	Panel, 2.25 x 12.88
5. 968681&000612FC	Panel, 3 x 12.88
6. 968681&000712FC	Panel, 3 x 24.5
7. 968681&000812FC	Panel, 6 x 24.5
8. 968681&001112CC	Panel, 6 x 24.5
9. 968681&001212CC	Panel, 9.13 x 12.88
10. 968681&001418FC	Panel, 6 x 34.25
11. 968681&001618FC	Panel, 25.25 x 10.63
12. 968681&001718FC	Panel, 13.69 x 9
13. 968681&001818FC	Panel, 13.69 x 10.56
14. 968681&001918FC	Panel, 13.69 x 10.63
15. 968681&002018FC	Panel, 2.74 x 18.17
16. 968681&002118FC	Panel, 1.99 x 18.17
17. 968681&002218FC	Panel, 25.17 x 1.42
18. 968681&003118CC	Panel, 16.88 x 34.25
19. 968681&003218CC	Panel, 16.88 x 34.25
20. 968681&003318CC	Panel, 2.25 x 12.88
21. 968681&003518CC	Panel, 9.13 x 12.88
22. 968681&003618FC	Panel, 18.75 x 2.25
23. 968681&003718CC	Panel, 2.25 x 24.5
24. 968681&003818CC	Panel, 2.25 x 24.5
25. 968681&003918FC	Panel, 18.75 x 2.81
26. 968681&004018CC	Panel, 2.25 x 12.88
27. 115940	Toe kick, Aluminum
969707-02	Drawer box, 6 x 15 x 12.25"
382521	Handle, Tab pull, Chrome
381228-02	Catch, Grabber door (5lb Pull)
381607-11	Hinge, Self-close
382807-07	Drawer slide, Self-close, 15"
382807-01	Fixing clip, Left front
382807-02	Fixing clip, Right front
968024	Insert, Cutlery drawer
365429-02	Edgebanding 15/16: Blk Walnut
365426-02	Edgebanding-15/16" Natl Elm
365429-01	Edgebanding 5/8 Blk Walnut
365426-01	Edbanding-5/8 Natl Elm

# 2022 GLOBETROTTER FURNITURE, GALLEY

## Galley, Convection Microwave Cabinet, 27FB



Parts Listed on Next Page

## 2022 GLOBETROTTER FURNITURE, GALLEY

### Galley, Convection Microwave Cabinet, 27FB

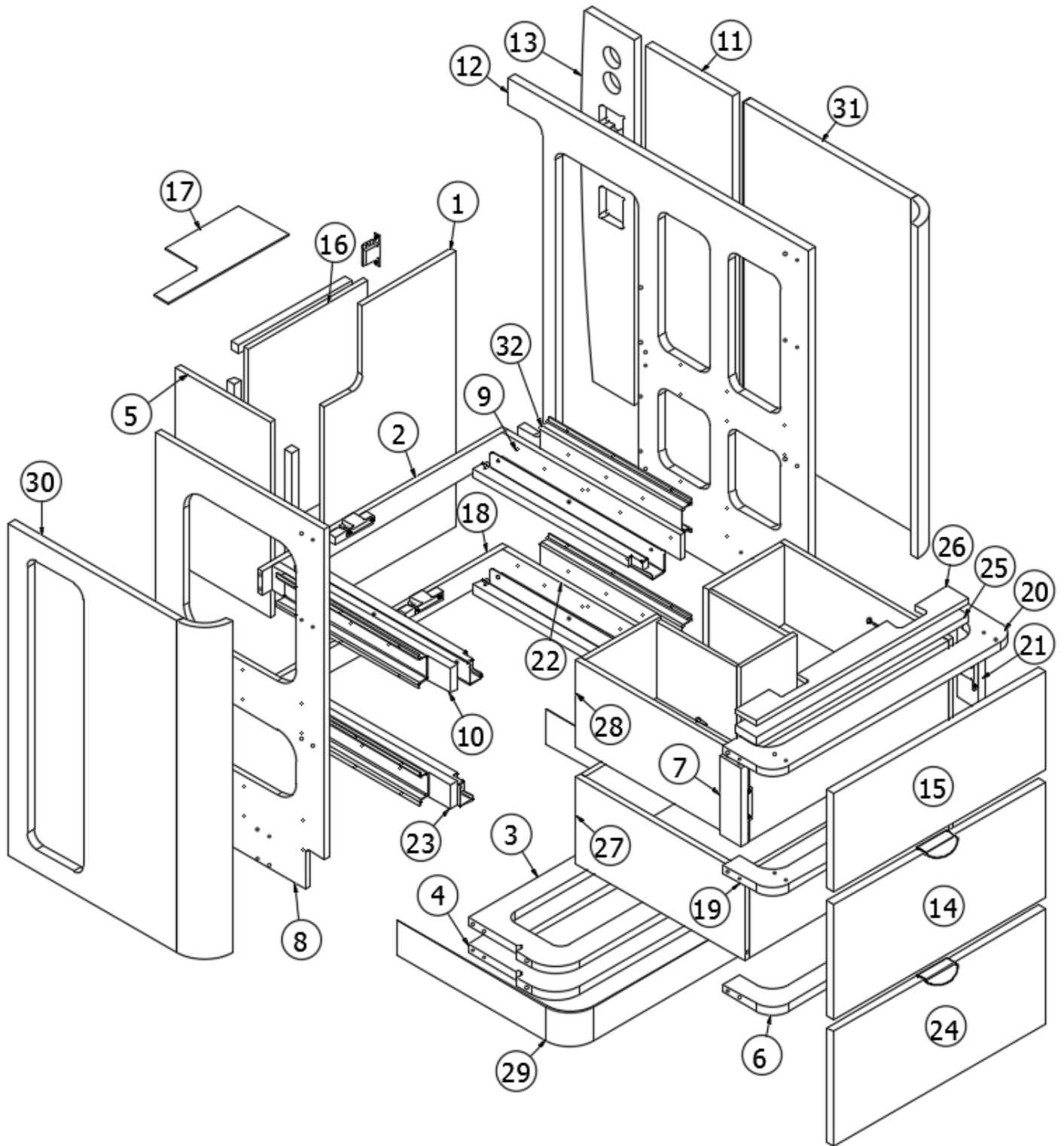
968681-02

Galley Cooktop with Convection Microwave

1. 968681&000203CE	Panel, 25.25 x 16
2. 968681&000303CE	Panel, 25.25 x 16
3. 968681&000403CE	Panel, 14.38 x 11.25
4. 968681&000518FC	Panel, 2.25 x 12.88
5. 968681&000612FC	Panel, 3 x 12.88
6. 968681&000712FC	Panel, 3 x 24.5
7. 968681&000912FC	Panel, 22.5 x 24.5
8. 968681&001012CC	Panel, 14 x 4.75
9. 968681&001112CC	Panel, 6 x 24.5
10. 968681&001212CC	Panel, 9.13 x 12.88
11. 968681&001312CC	Panel, 14 x 4.75
12. 968681&001418FC	Panel, 6 x 34.25
13. 968681&001518FC	Panel, 25.25 x 8.13
14. 968681&001718FC	Panel, 13.69 x 9
15. 968681&001818FC	Panel, 13.69 x 10.56
16. 968681&001918FC	Panel, 13.69 x 10.63
17. 968681&002318FC	Panel, 25.44 x 4.5
18. 968681&002618CC	Panel, 14 x .94
19. 968681&002718CC	Panel, 14 x .94
20. 968681&002818CC	Panel, 14 x .94
21. 968681&002918CC	Panel, 14 x .94
22. 968681&003018CC	Panel, 16.88 x 25.25
23. 968681&003118CC	Panel, 16.88 x 34.25
24. 968681&003218CC	Panel, 16.88 x 34.25
25. 968681&003318CC	Panel, 2.25 x 12.88
26. 968681&003518CC	Panel, 9.13 x 12.88
27. 968681&004018CC	Panel, 2.25 x 12.88
28. 115940	Toe kick, Aluminum
969707-02	Drawer box, 6 x 15 x 12.25"
382521	Handle, Tab pull, Chrome
381228-02	Catch, Grabber door (5lb Pull)
381607-11	Hinge, Self-close
382807-07	Drawer slide, Self-close, 15"
382807-01	Fixing clip, Left front
382807-02	Fixing clip, Right front
968024	Insert, Cutlery drawer
365429-02	Edgebanding 15/16: Blk Walnut
365426-02	Edgebanding-15/16" Natl Elm
365429-01	Edgebanding 5/8 Blk Walnut
365426-01	Edbanding-5/8 Natl Elm

# 2022 GLOBETROTTER FURNITURE, GALLEY

## Galley, Aft Section, 27FB



Parts Listed on Next Page

## 2022 GLOBETROTTER FURNITURE, GALLEY

### Galley, Aft Section, 27FB

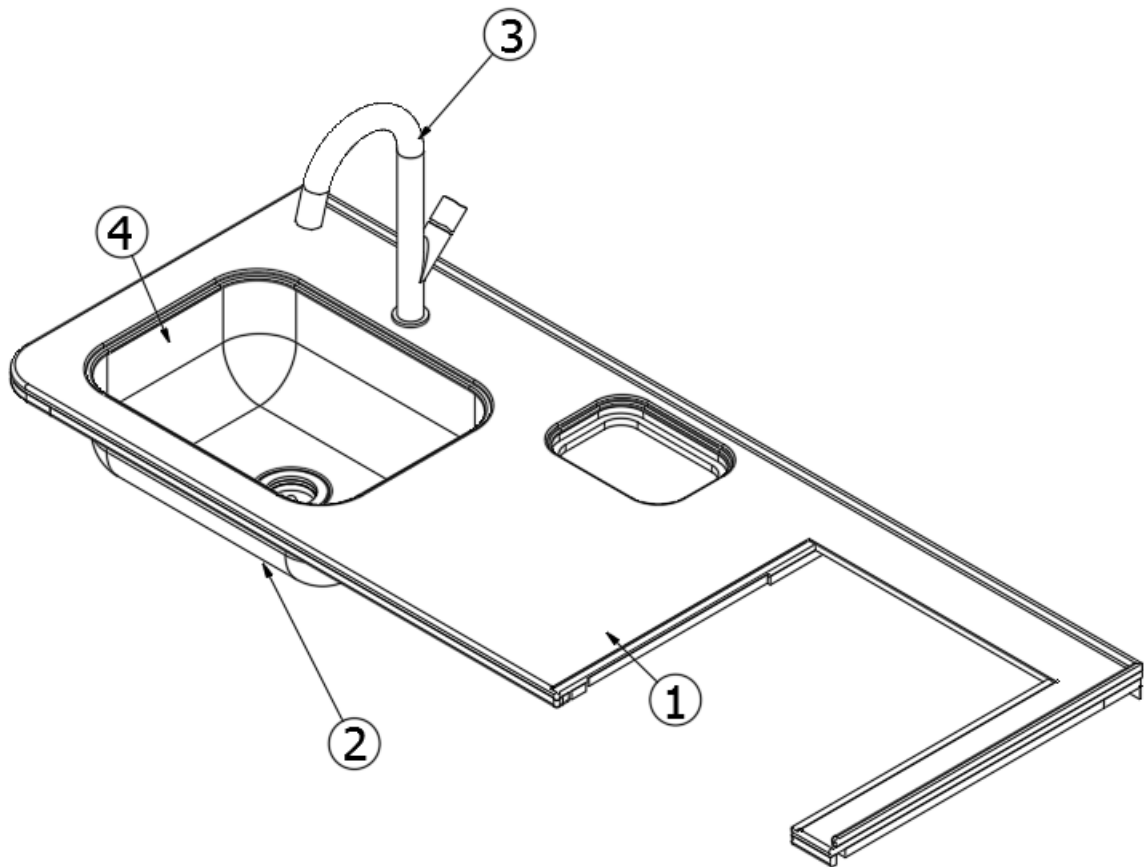
968733

Galley Aft Section

1. 968733&000118CC	Panel, 14 x 25.39
2. 968733&000212CC	Panel, 2.25 x 26.13
3. 968733&000318CC	Panel, 9.88 x 27.38
4. 968733&000418CC	Panel, 27.38 x 9.88
5. 968733&000512CC	Panel, 18 x 8.88
6. 968733&002118CC	Panel, 5.25 x 26.13
7. 968733&002218CC	Panel, 2.25 x 7.25
8. 968733&001112FC	Panel, 34.25 x 18
9. 968733&001312CC	Panel, 2.25 x 19
10. 968733&001418CC	Panel, 2.25 x 19
11. 968733&000618FC	Panel, 9.31 x 30.57
12. 968733&000718FC	Panel, 32 x 34.25
13. 968733&001218FC	Panel, 5.69 x 33.76
14. 968733&001818FC	Panel, 22.63 x 10.63
15. 968733&001918FC	Panel, 22.63 x 9.07
16. 968733&002312CC	Panel, 12.75 x 18
17. 968733&003403CE	Panel, 5.25 x 12.75
18. 968733&003512CC	Panel, 2.25 x 26.13
19. 968733&003718CC	Panel, 5.25 x 26.13
20. 968733&003618CC	Panel, 5.25 x 26.13
21. 968733&003812CC	Panel, 2.25 x 7.25
22. 968733&003912CC	Panel, 2.25 x 19
23. 968733&004018CC	Panel, 2.25 x 19
24. 968733&004218FC	Panel, 22.63 x 10.63
25. 968733&004312CC	Panel, 2.25 x 22.63
26. 968733&004412CC	Panel, 2.25 x 22.63
27. 969708-07	Drawer box, 8 x 18 x 22.25"
28. 968725	Drawer box, 8"
29. 115908	Toe kick, Aluminum
30. 968706	Sub assembly, Left radius
31. 968735	Sub assembly, Right radius
32. 115910	Aluminum extrusion, Spacer drawer slide
204286	T-molding, Brown, 13/16"
203440	T Molding-Black Embossed .8125", Natural Elm
381607-11	Hinge, Self-close
382522	Pull, New Haven
382521	Handle, Tab pull, Chrome
382203-04	Slide, Self-close, 18"
365429-02	Edgebanding, Black walnut, 15/16"
365386-02	Edgebanding, Linen, 15/16"
381228-02	Catch, Grabber door (5lb Pull)
381228	Catch, Grabber door (10lb Pull)

# 2022 GLOBETROTTER FURNITURE, GALLEY

## Galley Top, 30RB

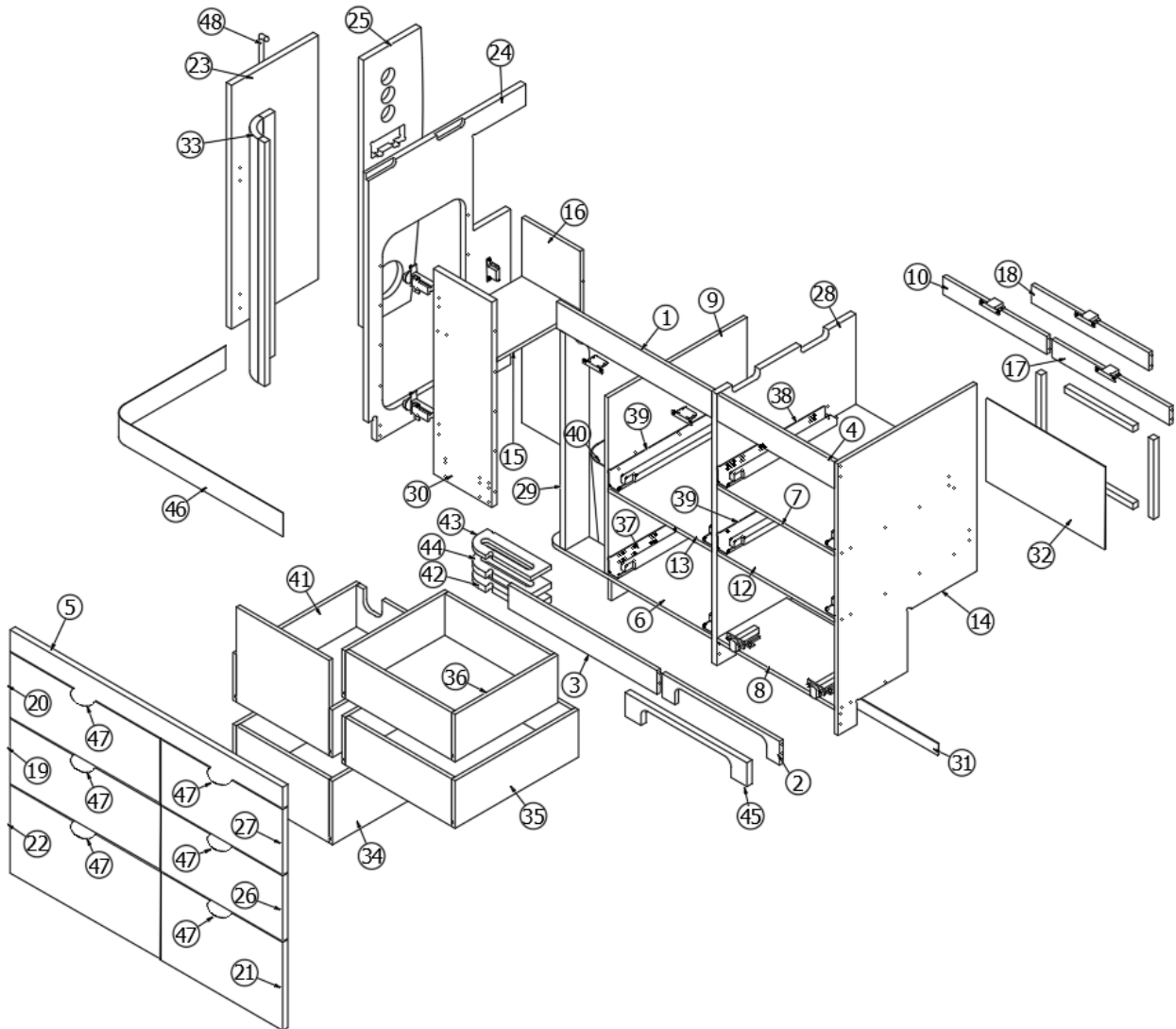


- |    |           |   |
|----|-----------|---|
| 1. | 602889    | Galley top, Corian, Verano                |
| 2. | 602164-02 | Tailpiece W/Nuts & Washers 1.5"           |
| 3. | 602703    | Faucet-Gal Sng Hole #Ff3200               |
| 4. | 602829    | Sink - Moen                               |
|    | 600968    | Basket Strainer                           |
|    | 602388    | Kit, Clips - Sink Classic Tr              |
|    | 114812    | Alum. Angle 1" X 1 "X 12"                 |
|    | 602894    | Sink cover, Corian, Verano white          |
|    | 602895    | Trash lid, Corian, Verano white           |
|    | 382555    | Wastebasket, White, 10 x 7 x 9"           |
|    | 381708    | Wastebasket, Black, 11.38 x 8.25 x 12.13" |



# 2022 GLOBETROTTER FURNITURE, GALLEY

## Galley Base Forward, 30RB



969253

Galley Ass'y - Galley Base

1.	969253&000112FC	Pre Laminate- 0.50 X 22.63 X 3.38
2.	969253&000212FC	Pre Laminate- 0.50 X 17.13 X 3.00
3.	969253&000312FC	Pre Laminate- 0.50 X 21.67 X 3.00
4.	969253&000412FC	Pre Laminate- 0.50 X 17.13 X 3.38
5.	969253&000518FC	Pre Laminate- 0.75 X 39.74 X 2.70
6.	969253&000612CC	Pre Laminate- 0.50 X 14.80 X 24.13
7.	969253&000712CC	Pre Laminate- 0.50 X 17.13 X 20.25
8.	969253&000812CC	Pre Laminate- 0.50 X 10.14 X 17.13
9.	969253&000912CC	Pre Laminate- 0.50 X 25.88 X 20.25
10.	969253&001012CC	Pre Laminate- 0.50 X 15.13 X 2.25
11.	969253&001112CC	Pre Laminate- 0.50 X 15.13 X 2.25
12.	969253&001312CC	Pre Laminate- 0.50 X 20.25 X 17.13
13.	969253&001412CC	Pre Laminate- 0.50 X 15.13 X 20.25

Parts Continued on Next Page

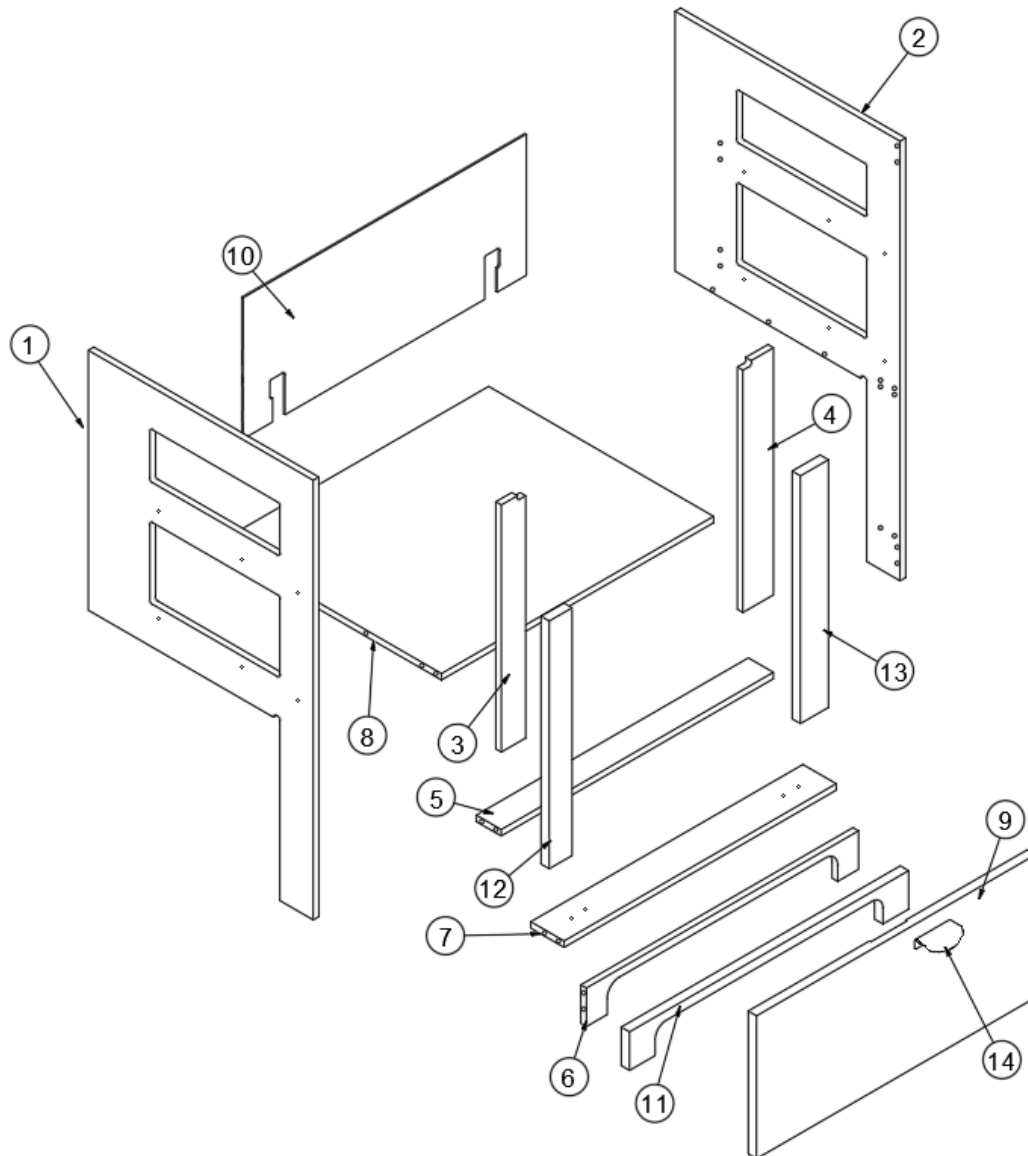
## 2022 GLOBETROTTER FURNITURE, GALLEY

### Galley Base Forward, 30RB, Continued

14.	969253&001512CC	Pre Laminate- 0.50 X 20.25 X 34.25
15.	969253&001612CC	Pre Laminate- 0.50 X 2.25 X 12.40
16.	969253&001712CC	Pre Laminate- 0.50 X 25.88 X 8.50
17.	969253&001912CC	Pre Laminate- 0.50 X 17.13 X 2.25
18.	969253&002112CC	Pre Laminate- 0.50 X 17.13 X 2.25
19.	969253&002218FC	Pre Laminate- 0.75 X 21.86 X 8.25
20.	969253&002318FC	Pre Laminate- 0.75 X 21.87 X 8.25
21.	969253&002418FC	Pre Laminate- 0.75 X 17.75 X 11.13
22.	969253&002518FC	Pre Laminate- 0.75 X 21.86 X 11.13
23.	969253&002618FC	Pre Laminate- 0.75 X 12.64 X 30.75
24.	969253&002718FC	Pre Laminate- 0.75 X 20.75 X 34.25
25.	969253&002818FC	Pre Laminate-8.41 X 33.76
26.	969253&002918FC	Pre Laminate- 0.75 X 17.75 X 8.25
27.	969253&003018FC	Pre Laminate- 0.75 X 17.75 X 8.25
28.	969253&003118CC	Pre Laminate- 0.75 X 20.25 X 34.25
29.	969253&003218CC	Pre Laminate- 0.75 X 3.50 X 27.38
30.	969253&003318CC	Pre Laminate- 0.75 X 25.88 X 8.50
31.	969253&003403CE	Pre Laminate- 0.13 X 18.38 X 1.50
32.	969253&003503CE	Pre Laminate- 0.13 X 17.31 X 10.44
33.	969254	Sub-Ass'y - Galley Fwd. Panel
34.	969708-12	Drawer box, 8 x 12 x 15.5"
35.	969707-06	Drawer box, 6 x 18 x 15.5"
36.	969707-07	Drawer box, 6 x 15 x 15.5"
37.	382807-06	Drawer slide, Self-close, 12"
38.	382807-07	Drawer slide, Self-close, 15"
39.	382203-04	Drawer Slide 18" Tandem Plus Self Close 562H
40.	381708	Wastebasket-11.38 X 8.25 X 12.13H
41.	969301	Drawer Box Assy Double Door 30 GLO
42.	969253&004618CC	Panel Prelam 9.25 X 3.54
43.	969253&004712CC	Panel-Prelam 9.25 X 3.54
44.	969253&004818CC	Panel Prelam 9.25 X 3.54
45.	969253&004918FC	Prelam .75 X 17.75 X 3.00
46.	116199	Toe Kick - Aluminum - Galley
47.	382521	Handle-Tab Pull Pol Chrome W/Screws GLO
48.	382522	Pull W/Screws - New Haven M516
	381607-11	Hinge-Self Close Overlay 110D
	381607-12	Baseplate-Grass 9.5X37/32
	381228-02	Catch Grabber Door C3-805 5#
	365429-01	Edgebanding 5/8 Blk Walnut
	365427-01	Edgebanding 5/8" Citadel
	365429-02	Edgebanding 15/16: Blk Walnut
	365427-02	Edgebanding-15/16" Citadel
	203440	T Molding-Black Embossed .8125"
	968024	Insert- Cutlery Drawer
	382807-01	Fixing clip, Left front
	382807-02	Fixing clip, Right front

# 2022 GLOBETROTTER FURNITURE, GALLEY

## Galley Cabinet, Aft with Oven, 30RB



Parts Listed on Next Page

## 2022 GLOBETROTTER FURNITURE, GALLEY

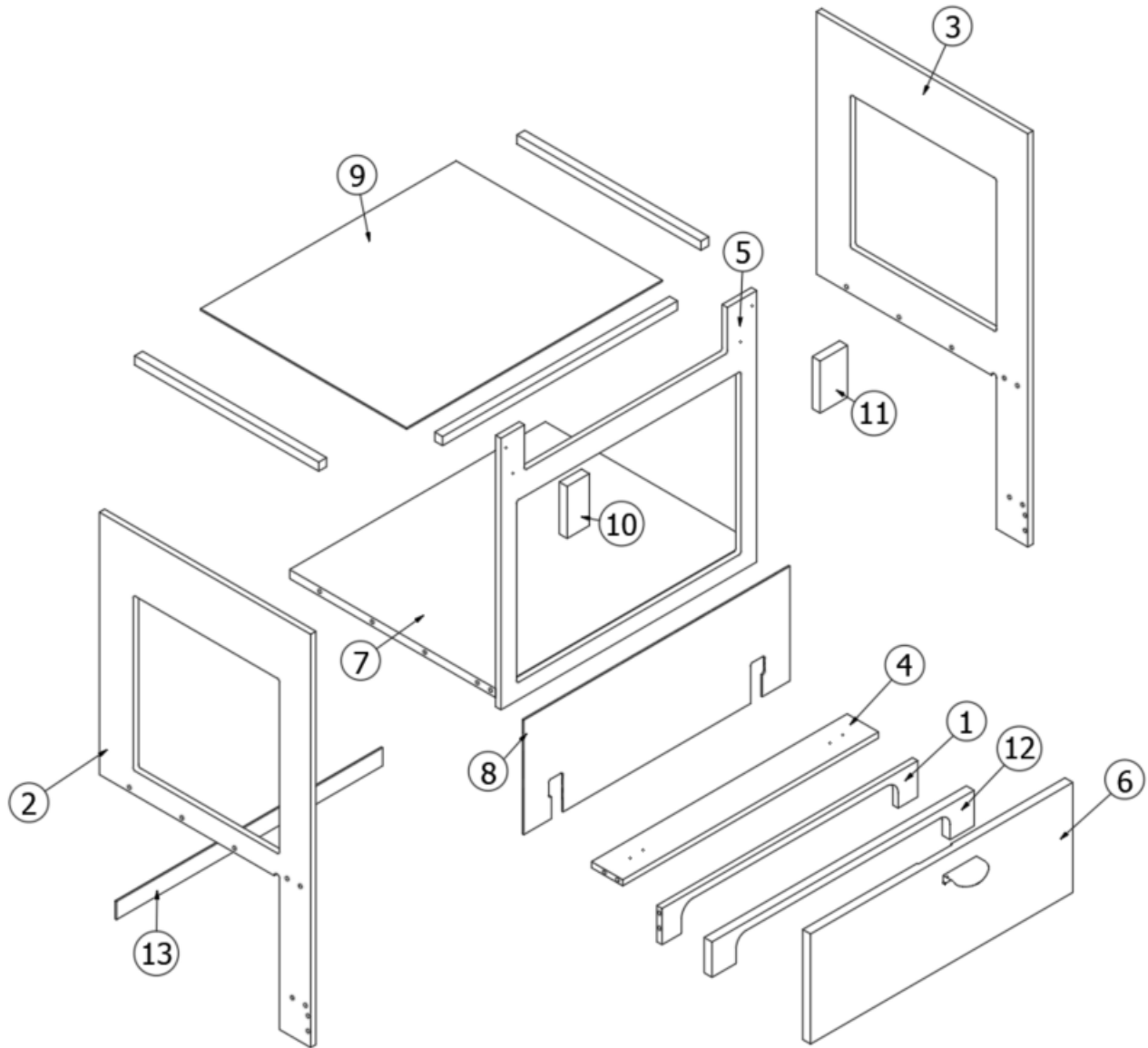
### Galley Cabinet, Aft with Oven, 30RB

969231                      Ass'y - Galley Aft W/Oven

- |     |                 |   |
|-----|-----------------|---|
| 1.  | 969231&000112CC | Pre Laminate- 0.50 X 20.25 X 34.25      |
| 2.  | 969231&000212CC | Pre Laminate- 0.50 X 20.25 X 34.25      |
| 3.  | 969231&000312FC | Pre Laminate- 0.50 X 2.19 X 19.25       |
| 4.  | 969231&000412FC | Pre Laminate- 0.50 X 2.56 X 19.25       |
| 5.  | 969231&000512FC | Pre Laminate- 0.50 X 2.25 X 24.50       |
| 6.  | 969231&000612FC | Pre Laminate- 0.50 X 3.00 X 24.50       |
| 7.  | 969231&000712CC | Pre Laminate- 0.50 X 3.00 X 24.50       |
| 8.  | 969231&000812CC | Pre Laminate- 0.50 X 20.25 X 24.50      |
| 9.  | 969231&000918FC | Pre Laminate- 0.75 X 25.13 X 11.13      |
| 10. | 969231&001003CE | Pre-Lam 0.13X14.00X25.50                |
| 11. | 969231&002118FC | Panel-Prelam .50X3.00X24.50             |
| 12. | 969231&002218FC | Panel-Prelam .75X2.06X19.30             |
| 13. | 969231&001718FC | Panel-Prelam .75X2.52X19.30             |
| 14. | 382521          | Handle-Tab Pull Pol Chrome W/Screws GLO |
|     | 203776          | Plug-Sq Finishing Ribbed #STI1018       |
|     | 381607-11       | Hinge-Self Close Overlay 110D           |
|     | 381607-12       | Baseplate-Grass 9.5X37/32               |
|     | 381228-02       | Catch Grabber Door C3-805 5#            |
|     | 365429-01       | Edgebanding 5/8 Blk Walnut              |
|     | 365427-01       | Edgebanding 5/8" Citadel                |
|     | 365429-02       | Edgebanding 15/16: Blk Walnut           |
|     | 365427-02       | Edgebanding-15/16" Citadel              |

# 2022 GLOBETROTTER FURNITURE, GALLEY

## Galley Cabinet, Aft with Drawers, 30RB



Parts Listed on Next Page

## 2022 GLOBETROTTER FURNITURE, GALLEY

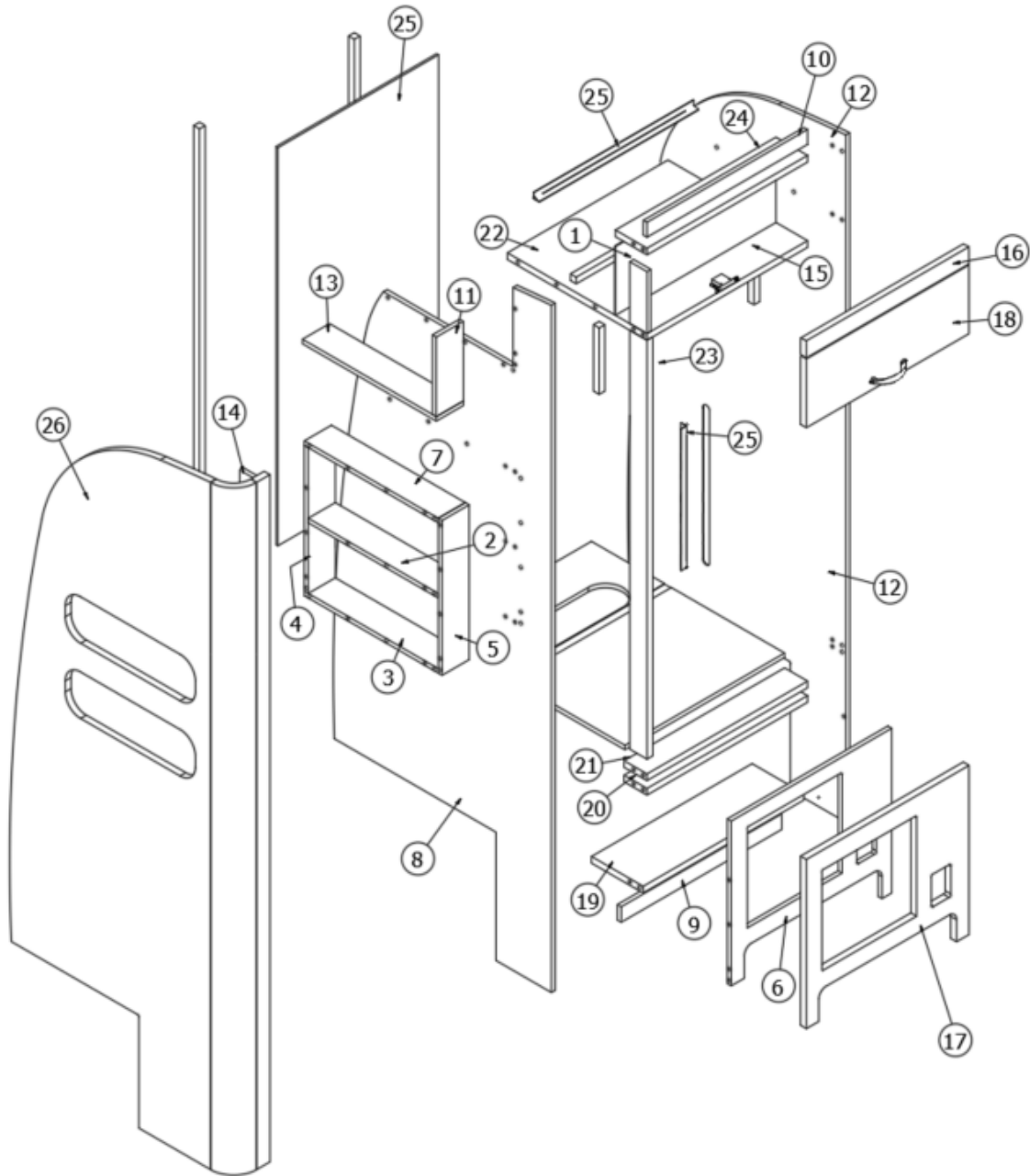
### Galley Cabinet, Aft with Drawers, 30RB

969232                      Ass'y-Galley Conv. Oven W/Drawers

- |     |                 |   |
|-----|-----------------|---|
| 1.  | 969232&000112FC | Pre Laminate- 0.50 X 3.00 X 24.50       |
| 2.  | 969232&000212CC | Pre Laminate- 0.50 X 20.25 X 34.25      |
| 3.  | 969232&000312CC | Pre Laminate- 0.50 X 20.25 X 34.25      |
| 4.  | 969232&000412CC | Pre Laminate- 0.50 X 3.00 X 24.50       |
| 5.  | 969232&000712FC | Pre Laminate- 0.50 X 22.50 X 24.50      |
| 6.  | 969232&000818FC | Pre Laminate- 0.75 X 25.13 X 9.12       |
| 7.  | 969232&001118CC | Pre Laminate- 0.75 X 24.50 X 20.25      |
| 8.  | 969232&001603CE | Pnl Pre Lam .13 X 9.50 X 25.50          |
| 9.  | 800507-01       | Lauan, 1/8"X4'X8'                       |
| 10. | 969232&002518FC | Pre-Lam-.75 X 4.31 X 2.13               |
| 11. | 969232&002618FC | Pre-Lam-.75 X 4.31 X 2.63               |
| 12. | 969232&002918FC | Pnl Prelam .50 X 25.13 X 2.93           |
| 13. | 969232&003003CE | Pnl-Prelam .13 X 18.38 X 1.50           |
|     | 382521          | Handle-Tab Pull Pol Chrome W/Screws GLO |
|     | 381607-11       | Hinge-Self Close Overlay 110D           |
|     | 381607-12       | Baseplate-Grass 9.5X37/32               |
|     | 203776          | Plug-SQ Finishing Ribbed #STI1          |
|     | 381228-02       | Catch Grabber Door C3-805 5#            |
|     | 365429-01       | Edgebanding 5/8 Blk Walnut              |
|     | 365427-01       | Edgebanding 5/8" Citadel                |
|     | 365429-02       | Edgebanding 15/16: Blk Walnut           |
|     | 365427-02       | Edgebanding-15/16" Citadel              |

# 2022 GLOBETROTTER FURNITURE, GALLEY

## Refrigerator Cabinet, 23FB



Parts Listed on Next Page

## 2022 GLOBETROTTER FURNITURE, GALLEY

### Refrigerator Cabinet, 23FB

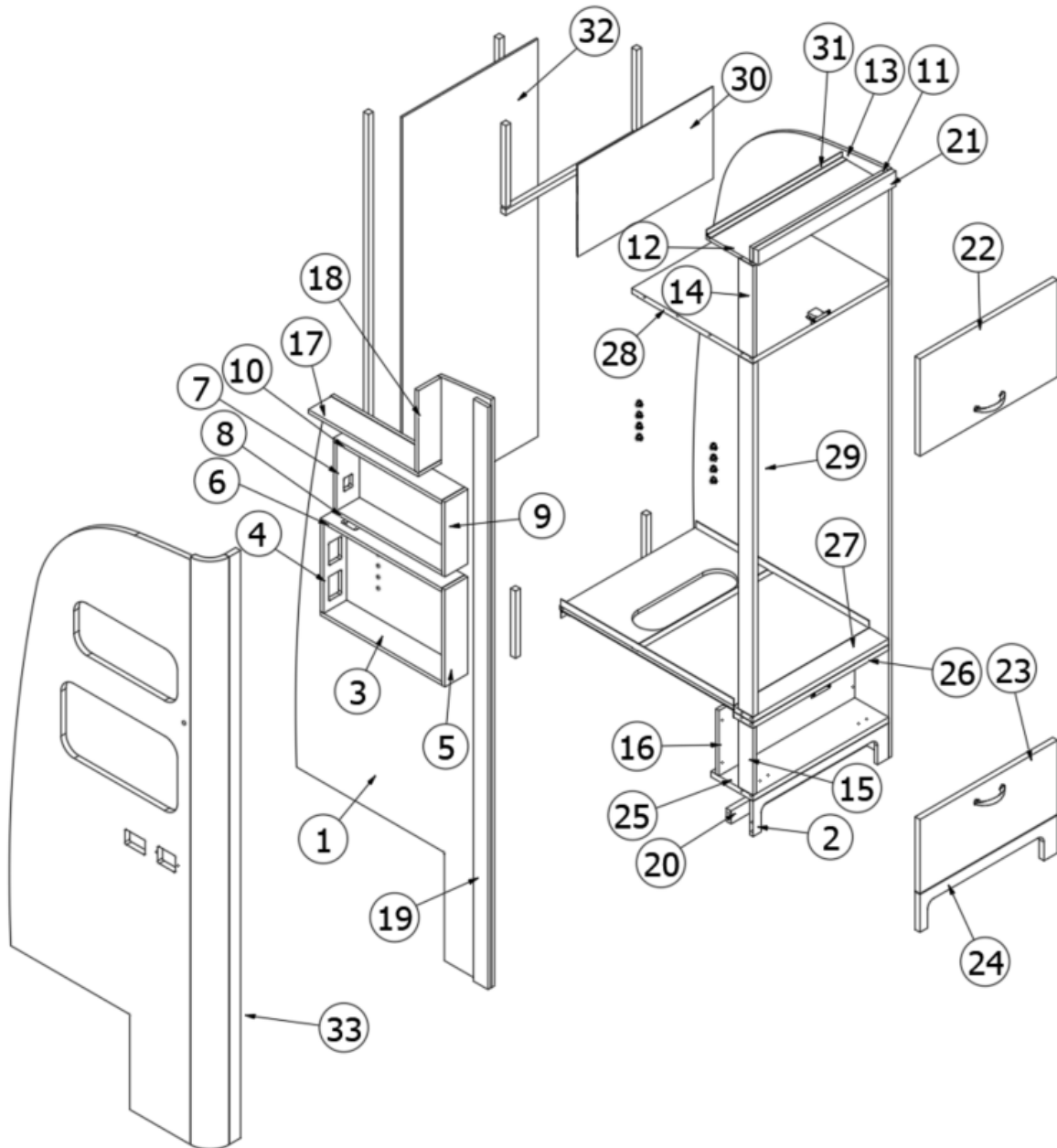
969537      Assembly Refer Cabinet

1.	969537&000103CE	20.99 X 7.77
2.	969537&000212BC	Pnl-Prelam 3.54 X 17.00
3.	969537&000312BC	Pre Laminate-3.53 X 17.50
4.	969537&000412BC	Pre Laminate-3.54 X 16.50
5.	969537&000512BC	Pre Laminate-3.54 X 17.50
6.	969537&000612BC	Pre Laminate-20.99 X 18.63
7.	969537&000712BC	Pre Laminate-3.54 X 17.50
8.	969537&000812BC	Pre Laminate-28.51 X 77.69
9.	969537&000912BC	Pre Laminate-20.99 X 1.75
10.	969537&001012BC	Pre Laminate-20.99 X 1.69
11.	969537&001112CC	Pre Laminate-9.00 X 3.54
12.	969537&001212CC	Pre Laminate-28.51 X 77.69
13.	969537&001312CC	Pre Laminate-17.50 X 3.54
14.	969537&001412CC	Pre Laminate-2.25 X 77.18
15.	969537&001512CC	Pre Laminate-2.25 X 7.00
16.	969537&001618BC	Pre Laminate-21.26 X 1.94
17.	969537&001718BC	Pre Laminate-21.26 X 19.13
18.	969537&001818BC	Pre Laminate-21.26 X 7.76
19.	969537&001918CC	Pre Laminate-20.99 X 6.75
20.	969537&002018CC	Pre Laminate-20.99 X 3.00
21.	969537&002118CC	Pre Laminate-20.99 X 3.00
22.	969537&002218CC	Pre Laminate-20.99 X 18.25
23.	969537&002318CC	Pre Laminate-2.25 X 47.36
24.	969537&002418CC	Pre Laminate-20.99 X 4.13
25.	115483	Aluminum Angle
26.	968999	Sub Assembly, Refer Panel
	382522	Pull W/Screws - New Haven M516
	203138-03	Extrusion, Wall, Plastic, Beige
	203138-09	Extrusion, Wall, Plastic, Brown
	365429-01	Edgebanding 5/8 Blk Walnut
	365426-01	Edbanding-5/8 Natl Elm
	365429-02	Edgebanding 15/16: Blk Walnut
	365426-02	Edgebanding-15/16" Natl Elm
	381228-02	Catch, Grabber door (5lb Pull)
	381607-11	Hinge-Self Close Overlay 110d
	381607-12	Baseplate-Grass
	381607-16	Clip-Steel Grass Hinge



# 2022 GLOBETROTTER FURNITURE, GALLEY

## Refrigerator Cabinet, 25FB



969560-01

Cabinet Assy Refer 25FB GLO

- |    |                 |                          |
|----|-----------------|--------------------------|
| 1. | 969560&010112BC | Pnl-Prelam 30.25 X 78.81 |
| 2. | 969560&010212BC | Pnl-Prelam 4.75X20.99    |
| 3. | 969560&010312BC | Pnl-Prelam 3.54 X 18.75  |
| 4. | 969560&010412BC | Pnl-Prelam 3.54X12.00    |
| 5. | 969560&010512BC | Pnl-Prelam 3.54 X 13.00  |

Parts Continued on Next Page

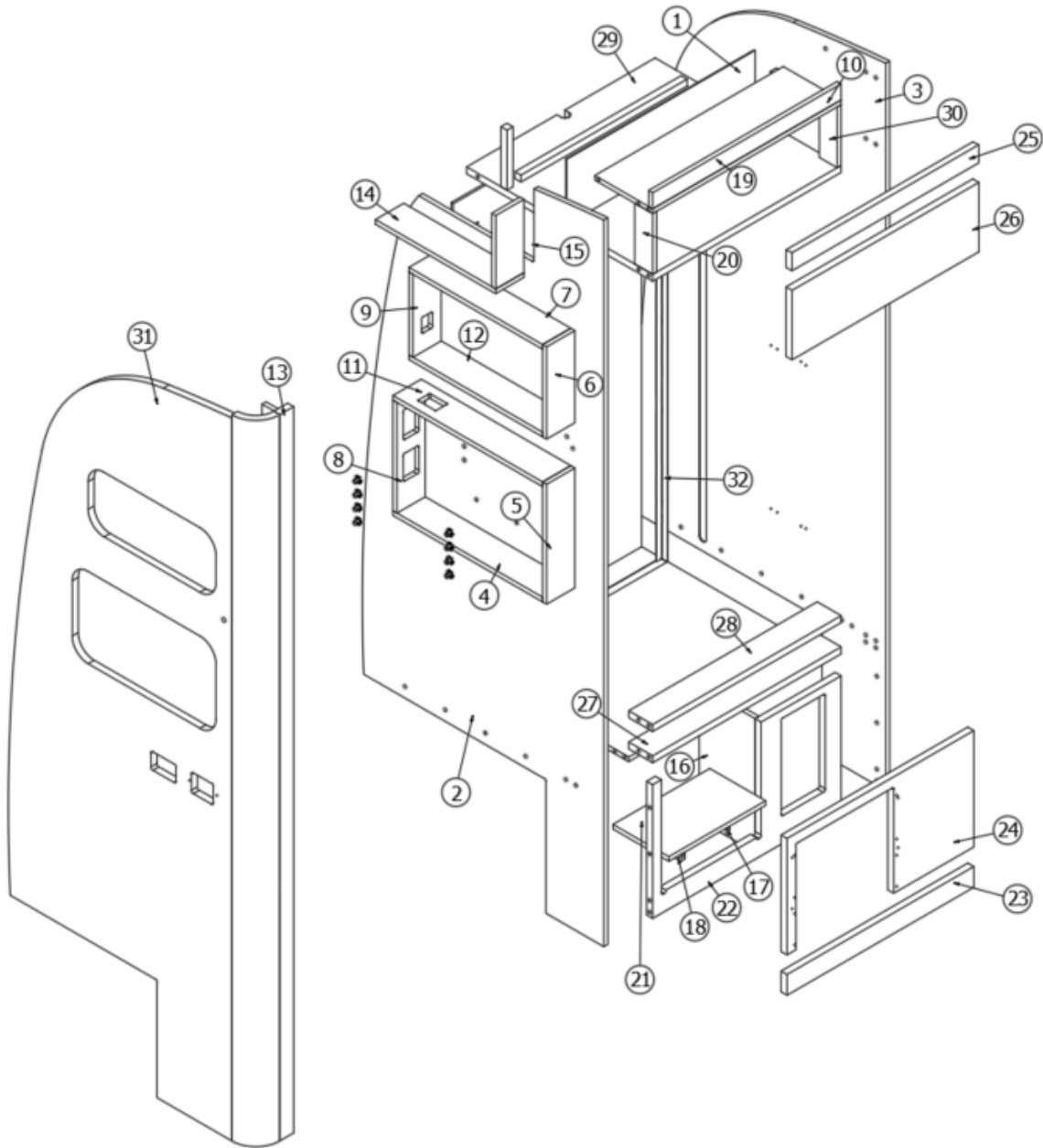
## 2022 GLOBETROTTER FURNITURE, GALLEY

### Refrigerator Cabinet, 25FB

	969560-01	Cabinet Assy Refer 25FB GLO
6.	969560&010612BC	Pnl-Prelam 3.54 X 18.75
7.	969560&010712BC	Pnl-Prelam 3.54 X 9.00
8.	969560&010812BC	Pnl-Prelam 3.54 X 16.75
9.	969560&010912BC	Pnl-Prelam 3.54X10.00
10.	969560&011012BC	Prelam 3.54X16.75
11.	969560&011112BC	Prelam 1.88X20.99
12.	969560&011212CC	Panel-2.25 X 12.33
13.	969560&011312CC	Prelam 30.26X78.1
14.	969560&011412CC	Pnl Prelam 2.25X12.33
15.	969560&011512CC	Panel-2.25 X 9.00
16.	969560&011612CC	Panel-Prelam 20.99 X 8.75
17.	969560&011712CC	Pnl-Prelam 17X3.54
18.	969560&011812CC	Prelam 11.00 X 3.54
19.	969560&011912CC	Prelam 2.25 X 78.00
20.	969560&012018BC	Prelam 20.99 X 1.5
21.	969560&012118BC	Prelam 21.28 X 1.99
22.	969560&012218BC	Door 21.28 X 13.02
23.	969560&012318BC	Door 21.28 X 9.92
24.	969560&012418BC	Prelam 5.06 X 21.26
25.	969560&012518CC	Prelam 20.99 X 6.50
26.	969560&012618CC	Panel, 3.00 X 20.99
27.	969560&012718CC	Panel, 3.00 X 20.99
28.	969560&012818CC	Panel, 18.75X20.99
29.	969560&012918CC	Prelam 2.25 X 47.36
30.	969560&013003CE	Prelam 20.99 X 12.33
31.	115483	Aluminum Angle
32.	800507-02	Lauan, .25 x 20.99 x 53.25
33.	968753	Sub Assembly Panel
	381228	Catch Grabber Door C3-810
	381228-02	Catch Grabber Door 5 Lb
	381607-11	Hinge-Self Close Overlay
	381607-12	Baseplate-Grass
	382522	Pull W/Screws - New Haven M516
	380041	Brace 1" Stanley Corner
	203138-03	Extrusion, Wall, Plastic, Beige
	203138-09	Extrusion, Wall, Plastic, Brown
	365429-01	Edgebanding 5/8 Blk Walnut
	365426-01	Edbanding-5/8 Natl Elm
	365429-02	Edgebanding 15/16: Blk Walnut
	365426-02	Edgebanding-15/16" Natl Elm

# 2022 GLOBETROTTER FURNITURE, GALLEY

## Refrigerator Cabinet, 27FB



969499

Ass'y - Refer Cabinet

- 1. 969499&000103CE
- 2. 969499&000212BC
- 3. 969499&000312BC
- 4. 969499&000412BC
- 5. 969499&000512BC
- 6. 969499&000612BC

- 23.63 X 7.10
- Pre Laminate-30.26 X 78.81
- Pre Laminate-31.01 X 78.81
- Pre Laminate-3.54 X 18.75
- Pre Laminate-3.54 X 13.00
- Pre Laminate-3.54 X 10.00

Parts Continued on Next Page

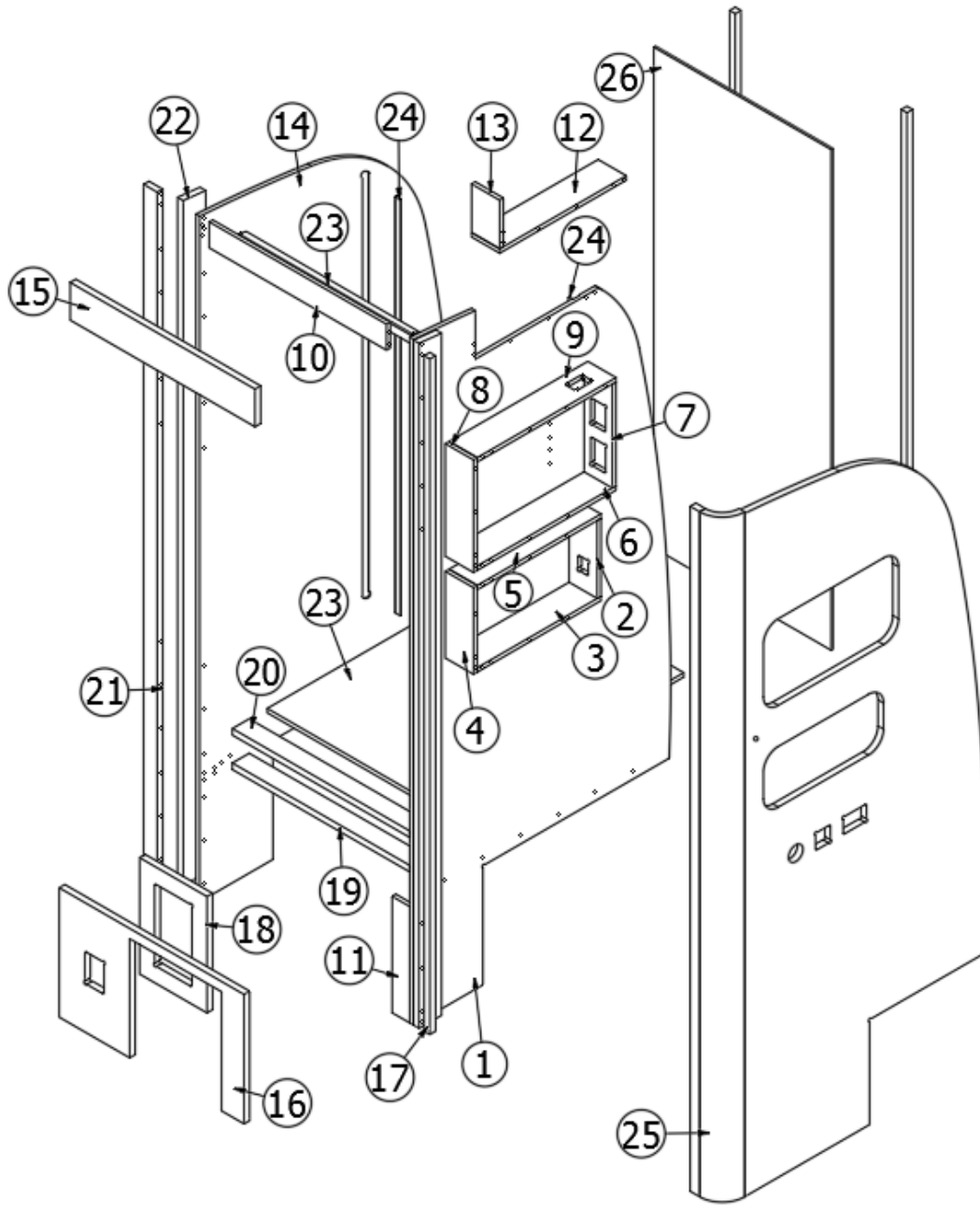
## 2022 GLOBETROTTER FURNITURE, GALLEY

### Refrigerator Cabinet, 27FB

969499	Ass'y - Refer Cabinet
7. 969499&000712BC	Pre Laminate-3.54 X 16.75
8. 969499&000812BC	Pre Laminate-3.54 X 12.00
9. 969499&000912BC	Pre Laminate-3.54 X 9.00
10. 969499&001012BC	Pre Laminate-23.63 X 1.75
11. 969499&001112BC	Pre Laminate-3.54 X 18.75
12. 969499&001212BC	Pre Laminate-3.54 X 16.75
13. 969499&001312CC	2.25 X 78.00
14. 969499&001412CC	Pre Laminate-3.54 X 15.06
15. 969499&001512CC	Pre Laminate-7.96 X 3.54
16. 969499&001612CC	Pre Laminate-7.00 X 14.50
17. 969499&001712CC	Pre Laminate-2.25 X 5.50
18. 969499&001812CC	Pre Laminate-2.25 X 5.50
19. 969499&001912CC	Pre Laminate-23.63 X 7.25
20. 969499&002012CC	Pre Laminate-6.60 X 2.25
21. 969499&002112CC	Pre Laminate-12.13 X 7.00
22. 969499&002218BC	Pre Laminate-23.63 X 14.50
23. 969499&002318BC	Pre Laminate-23.41 X 2.25
24. 969499&002418BC	Pre Laminate-12.63 X 23.41
25. 969499&002518BC	Pre Laminate-23.41 X 1.96
26. 969499&002618BC	Pre Laminate-23.41 X 7.54
27. 969499&002718CC	Pre Laminate-23.63 X 3.00
28. 969499&002818CC	Pre Laminate-23.63 X 3.00
29. 969499&002918CC	Pre Laminate-23.63 X 23.31
30. 969499&004612CC	Pnl-Prelam.50X6.60X2.25
31. 968753	Sub assembly, Refrigerator panel
32. 115483	Angle-Alum .06X.75"X.75"X6'
382522	Pull, New Haven
381607-11	Hinge, Self-close
381228-02	Catch, Grabber door (5lb Pull)
350189	Nut - Tee 6 Prong 1/4-20
365429-01	Edgebanding 5/8 Blk Walnut
365426-01	Edbanding-5/8 Natl Elm
365429-02	Edgebanding 15/16: Blk Walnut
365426-02	Edgebanding-15/16" Natl Elm
203138-03	Extrusion, Wall, Plastic, Beige
203138-09	Extrusion, Wall, Plastic, Brown

# 2022 GLOBETROTTER FURNITURE, GALLEY

## Refrigerator Cabinet, 30RB



Parts Listed on Next Page

## 2022 GLOBETROTTER FURNITURE, GALLEY

### Refrigerator Cabinet, 30RB

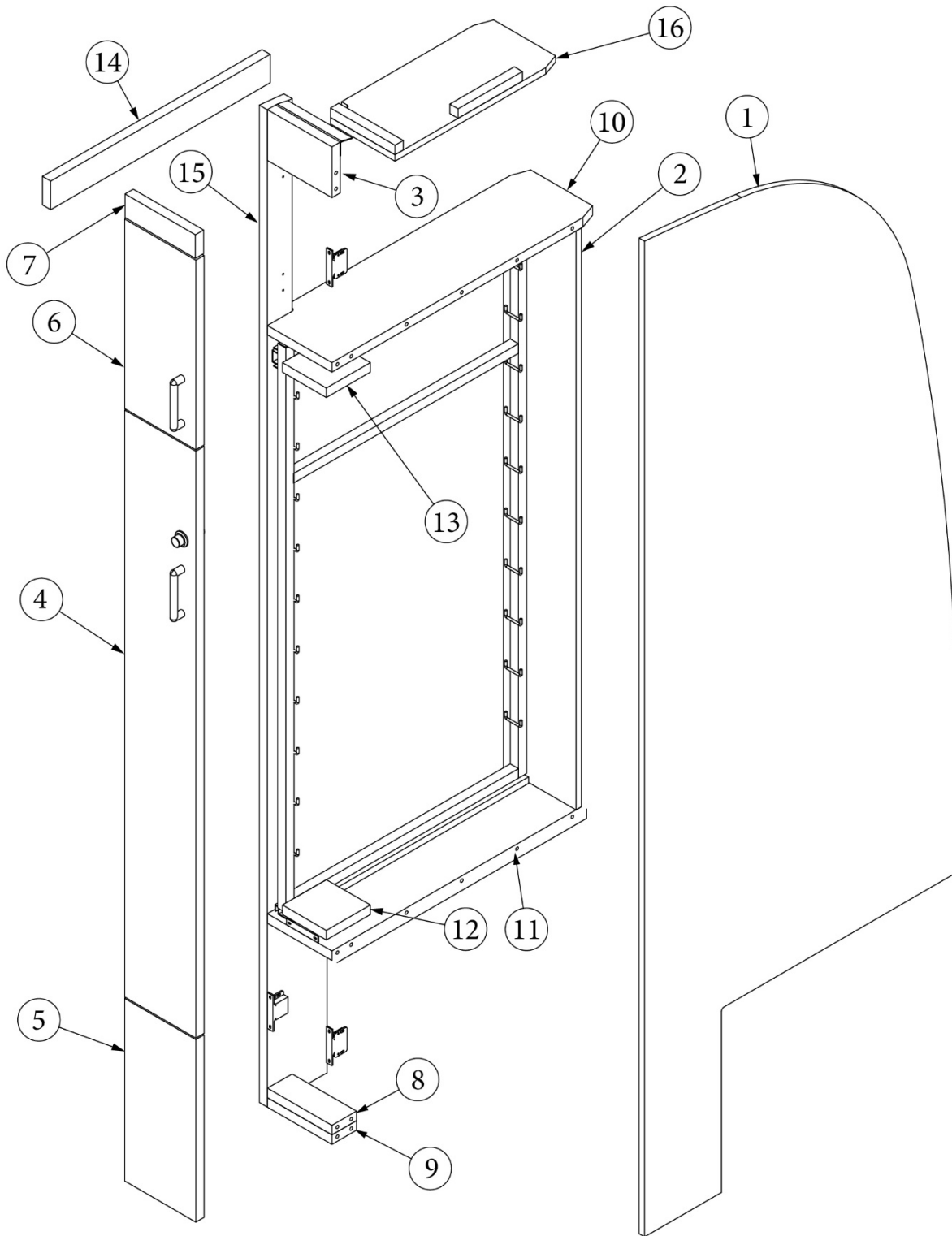
969176

Ass'y - Refer Cabinet

1.	969176&000112BC	Pre Laminate - 0.50 X 34.28 X 79.14
2.	969176&000212BC	Pre Laminate - 0.50 X 3.75 X 9.00
3.	969176&000312BC	Pre Laminate - 0.50 X 16.50 X 3.75
4.	969176&000412BC	Pre Laminate - 0.50 X 10.00 X 3.75
5.	969176&000512BC	Pre Laminate - 0.50 X 16.50 X 3.75
6.	969176&000612BC	Pre Laminate - 0.50 X 18.50 X 3.75
7.	969176&000712BC	Pre Laminate - 0.50 X 3.75 X 12.00
8.	969176&000812BC	Pre Laminate - 0.50 X 13.00 X 3.75
9.	969176&000912BC	Pre Laminate - 0.50 X 18.50 X 3.75
10.	969176&001012CC	Pre Laminate- 0.50 X 23.63 X 3.00
11.	969176&001112CC	Pre Laminate - 0.50 X 2.34 X 13.44
12.	969176&001212CC	Pre Laminate - 0.50 X 16.88 X 3.75
13.	969176&001312CC	Pre Laminate - 0.50 X 5.62 X 3.75
14.	969176&001412CC	Pre Laminate - 0.50 X 34.28 X 79.14
15.	969176&001518BC	Pre Laminate- 0.75 X 24.63 X 4.35
16.	969176&001618BC	Pre Laminate- 0.75 X 24.63 X 14.94
17.	969176&001718CC	Pre Laminate- 0.75 X 3.00 X 79.09
18.	969176&001818CC	Pre Laminate - 0.75 X 13.44 X 8.97
19.	969176&001918CC	Pre Laminate- 0.75 X 23.63 X 2.25
20.	969176&002018BC	Pre Laminate- 0.75 X 23.63 X 2.25
21.	969176&002118CC	Pre Laminate- 0.75 X 1.81 X 79.09
22.	969176&002218CC	Pre Laminate- 0.75 X 3.00 X 79.09
23.	104821	Support, Rooflocker
24.	115483	Angle-Alum .06X.75"X.75"X6'
25.	968991	Sub Ass'y - Refer Panel
	969176&003518CC	Pre Laminate - .75 X 16.00 X 2.25
	365429-01	Edgebanding 5/8 Blk Walnut
	365426-01	Edbanding-5/8 Natl Elm
	365429-02	Edgebanding 15/16: Blk Walnut
	365426-02	Edgebanding-15/16" Natl Elm
	203138-03	Extrusion, Wall, Plastic, Beige
	203138-09	Extrusion, Wall, Plastic, Brown

# 2022 GLOBETROTTER FURNITURE, GALLEY

Pantry, 23FB



Parts listed on next page

## 2022 GLOBETROTTER FURNITURE, GALLEY

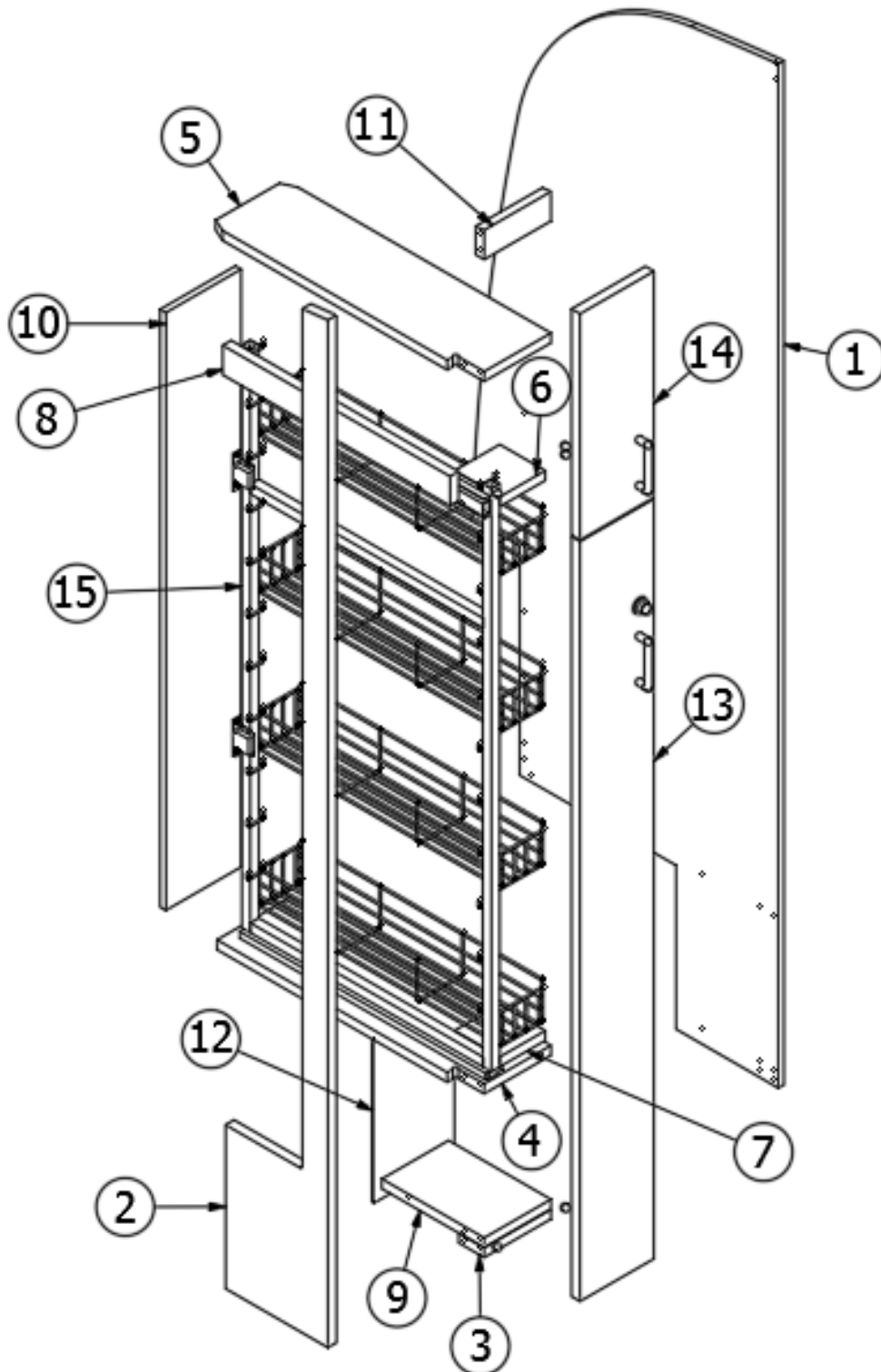
### Pantry, 23FB

968979	Pantry Cabinet Assembly
1. 968979&000112BC	Pre laminate, 28.51 x 78.48"
2. 968979&000212CC	Pre laminate, .5 x 6.63 x 45.63"
3. 968979&000418BC	Pre laminate, 4 x 5.88"
4. 968979&000518BC	Pre laminate, .75 x 6.5 x 46.25"
5. 968979&000618BC	Pre laminate, .75 x 6.5 x 14.37"
6. 968979&000718BC	Pre laminate, .75 x 6.5 x 14.94"
7. 968979&000818BC	Pre laminate, .75 x 6.42 x 1.86"
8. 968979&001018CC	Pre laminate, 2.25 x 5.88"
9. 968979&001118CC	Pre laminate, 2.25 x 5.88"
10. 968979&001218CC	Pre laminate, 6.63 x 24.25"
11. 968979&001318CC	Pre laminate, 6.63 x 22.75"
12. 968979&001418CC	Pre laminate, .75 x 4 x 4"
13. 968979&001518CC	Pre laminate, .75 x 4 x 4"
14. 968979&001618CC	Pre laminate, 2.25 x 20
15. 968979&001718CC	Pre laminate, .75 x 5.44 x 78.63"
16. 968979&002512CC	Pre laminate, .5 x 6.63 x 15.13"
104821	Support, Rooflocker
381551-01	Pantry Rack 1.5"W X 45"H White
381228-02	Catch, Grabber door (5lb Pull)
381607-11	Hinge-Self Close Overlay 110d
381607-12	Baseplate-Grass
381607-16	Clip-Steel Grass Hinge
382522	Pull W/Screws - New Haven M516
365429-01	Edgebanding 5/8 Blk Walnut
365426-01	Edbanding-5/8 Natl Elm
365429-02	Edgebanding 15/16: Blk Walnut
365426-02	Edgebanding-15/16" Natl Elm
203138-03	Extrusion, Wall, Plastic, Beige
203138-09	Extrusion, Wall, Plastic, Brown
381228	Black Catch Grabber 10 lb
381408	Lock, Push button Style
382070	Rubber Dots, Non Skid



# 2022 GLOBETROTTER FURNITURE, GALLEY

Pantry, 25FB



Parts Listed on Next Page

## 2022 GLOBETROTTER FURNITURE, GALLEY

### Pantry, 25FB

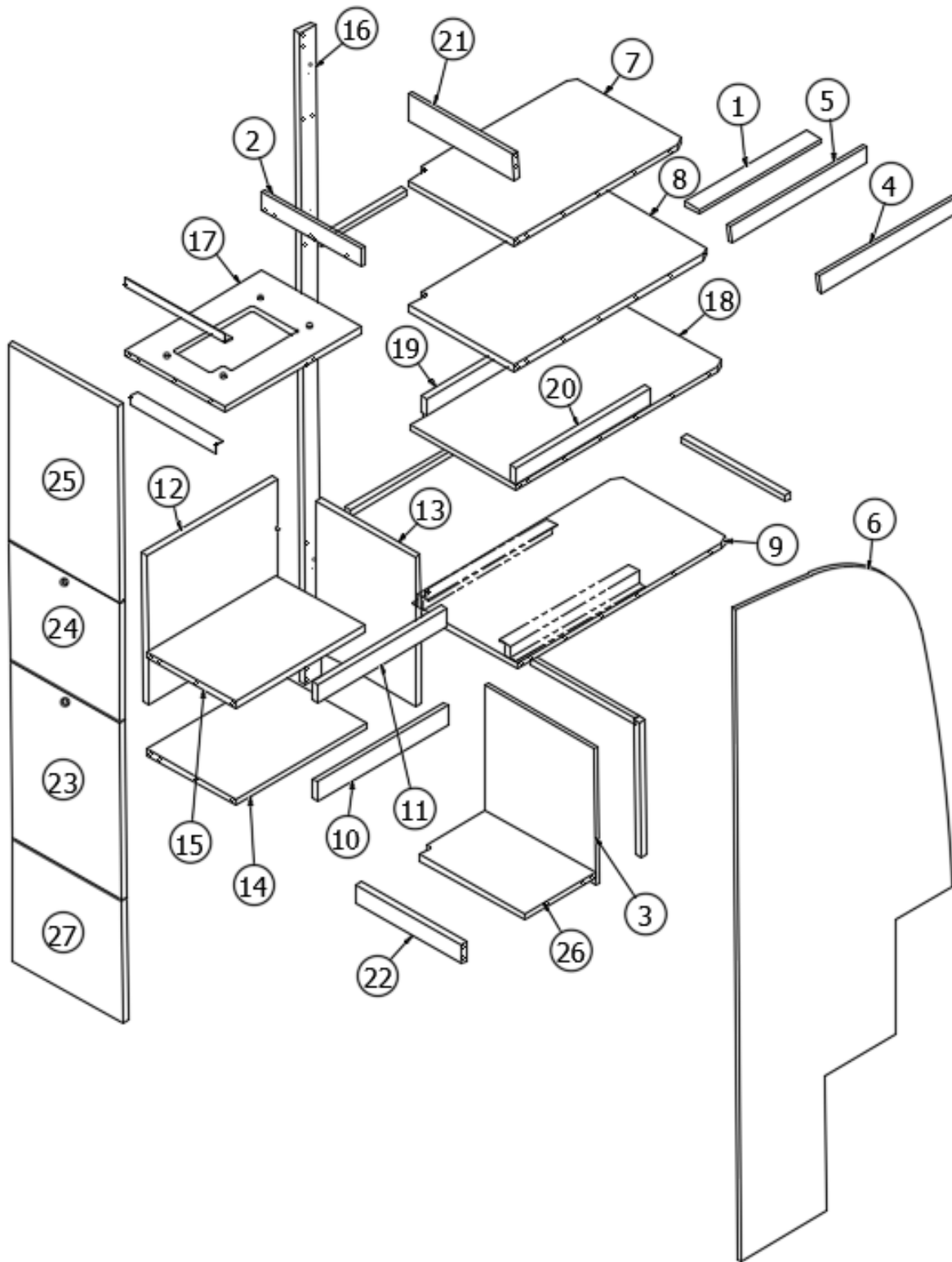
968937

Assembly, Pantry Cabinet

- |  |  |
|--|--|
| <ol style="list-style-type: none"> <li>1. 968937&amp;000112BC</li> <li>2. 968937&amp;000218CC</li> <li>3. 968937&amp;000318CC</li> <li>4. 968937&amp;000418CC</li> <li>5. 968937&amp;000518CC</li> <li>6. 968937&amp;000618CC</li> <li>7. 968937&amp;000718CC</li> <li>8. 968937&amp;000818CC</li> <li>9. 968937&amp;000918CC</li> <li>10. 968937&amp;001012CC</li> <li>11. 968937&amp;001118BC</li> <li>12. 968937&amp;001203CE</li> <li>13. 968937&amp;001318BC</li> <li>14. 968937&amp;001418BC</li> <li>15. 381551-01</li> <li>365429-01</li> <li>365426-01</li> <li>365429-02</li> <li>365426-02</li> <li>203138-03</li> <li>203138-09</li> <li>382522</li> <li>381228-02</li> <li>381408</li> <li>382070</li> <li>381607-11</li> <li>381607-12</li> <li>381607-16</li> </ol> | <p>Panel, 26.93 X 78.17 EB1-B01</p> <p>Panel, 9.00 X 78.43 EB1-B02</p> <p>Panel, 2.25 X 5.88 EB1-B02</p> <p>Panel, 6.63 X 22.75 EB3-B02</p> <p>Panel, 6.63 X 23.38 EB3-B02</p> <p>Panel, 4.00 X 4.00 EB5-B02</p> <p>Panel, 4.00 X 4.00 EB5-B02</p> <p>Panel, 2.25 X 20.00 EB1-B02</p> <p>Panel, 5.88 X 9.00 EB3-B02</p> <p>Panel, 6.63 X 45.63</p> <p>Panel, 2.25 X 5.88</p> <p>Panel, 7.13 X 12.50</p> <p>Panel, 6.50 X 58.00 EB9-B02</p> <p>Panel, 6.50 X 17.25 EB9-B02</p> <p>Pantry Rack 1.5"W X 45"H White</p> <p>Edgebanding 5/8 Blk Walnut</p> <p>Edbanding-5/8 Natl Elm</p> <p>Edgebanding 15/16: Blk Walnut</p> <p>Edgebanding-15/16" Natl Elm</p> <p>Extrusion, Wall, Plastic, Beige</p> <p>Extrusion, Wall, Plastic, Brown</p> <p>Pull W/Screws - New Haven M516</p> <p>Catch Grabber, 5 Lb.</p> <p>Lock, Push Button</p> <p>Rubber Dots</p> <p>Hinge-Self Close Overlay</p> <p>Baseplate-Grass</p> <p>Clip-Steel Grass Hinge</p> |
|--|--|

# 2022 GLOBETROTTER FURNITURE, GALLEY

Pantry, with Microwave, 27FB



Parts Listed on Next Page

## 2022 GLOBETROTTER FURNITURE, GALLEY

### Pantry, with Microwave, 27FB

968734

Pantry Cabinet with Microwave

1. 968734&000112CC	Panel, 2 x 17
2. 968734&000212CC	Panel, 2.25 x 13.88
3. 968734&000312CC	Panel, 15.38 x 16.47
4. 968734&000412CC	Panel, 2 x 19
5. 968734&000512CC	Panel, 2 x 19
6. 968734&000612BC	Panel, 29.87 x 78.66
7. 968734&000718CC	Panel, 24 x 15.38
8. 968734&000818CC	Panel, 27.5 x 15.38
9. 968734&000918CC	Panel, 29.75 x 15.38
10. 968734&001018CC	Panel, 2.25 x 18.25
11. 968734&001118CC	Panel, 2.25 x 18.25
12. 968734&001218CC	Panel, 18 x 18.25
13. 968734&001318CC	Panel, 18 x 13.88
14. 968734&001418CC	Panel, 12.38 x 18.25
15. 968734&001518CC	Panel, 12.38 x 18.25
16. 968734&001618CC	Panel, 2.25 x 78.63
17. 968734&001718CC	Panel, 19 x 13.88
18. 968734&001818CC	Panel, 15.38 x 29.31
19. 968734&001918CC	Panel, 2 x 19
20. 968734&002018CC	Panel, 2 x 19
21. 968734&002118BC	Panel, 3.27 x 14.63
22. 968734&002218BC	Panel, 2.25 x 14.63
23. 968734&002318BC	Panel, 21.38 x 15.25
24. 968734&002418BC	Panel, 14.31 x 15.25
25. 968734&002518BC	Panel, 15.25 x 23.63
26. 968734&002618CC	Panel, 15.38 x 10
27. 968734&002718BC	Panel, 15.25 x 14.75
203138-03	Extrusion, Wall, Plastic, Beige
203138-09	Extrusion, Wall, Plastic, Brown
381944-01	Slide, 18", Per set
381408	Lock, Push button, Black
365429-01	Edgebanding 5/8 Blk Walnut
365426-01	Edbanding-5/8 Natl Elm
365429-02	Edgebanding 15/16: Blk Walnut
365426-02	Edgebanding-15/16" Natl Elm
114812	Aluminum angle, 1" x 1"
381192	Drawer slide, 18", Pair
382522	Pull, New Haven
381607-11	Hinge, Self-close
381228-02	Catch, Grabber door (5lb Pull)

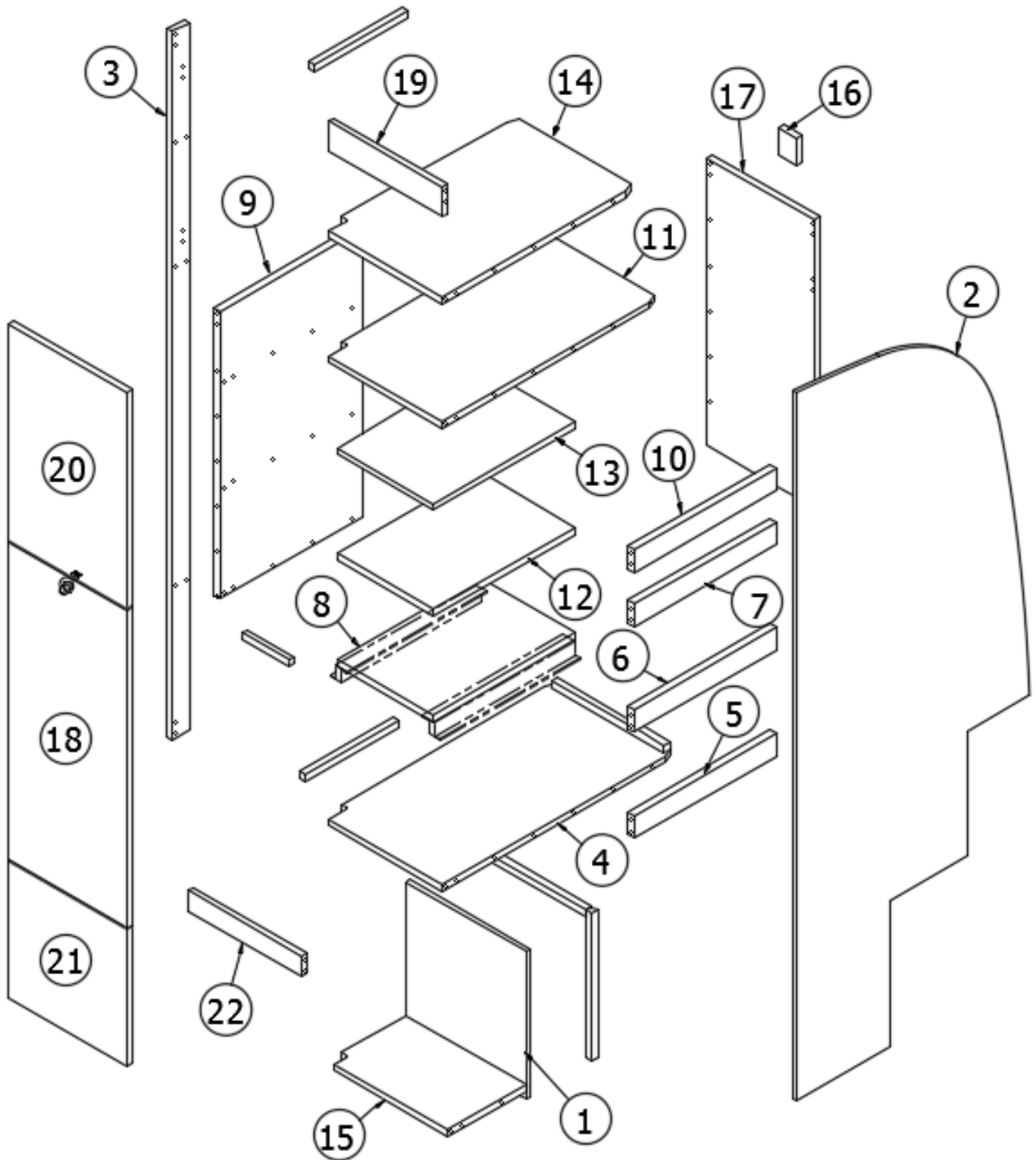
# 2022 GLOBETROTTER

382057  
382057-04

Knockdown  
Cap, Knockdown, White

# 2022 GLOBETROTTER FURNITURE, GALLEY

Pantry, without Microwave, 27FB



Parts Listed on Next Page

## 2022 GLOBETROTTER FURNITURE, GALLEY

### Pantry, without Microwave, 27FB

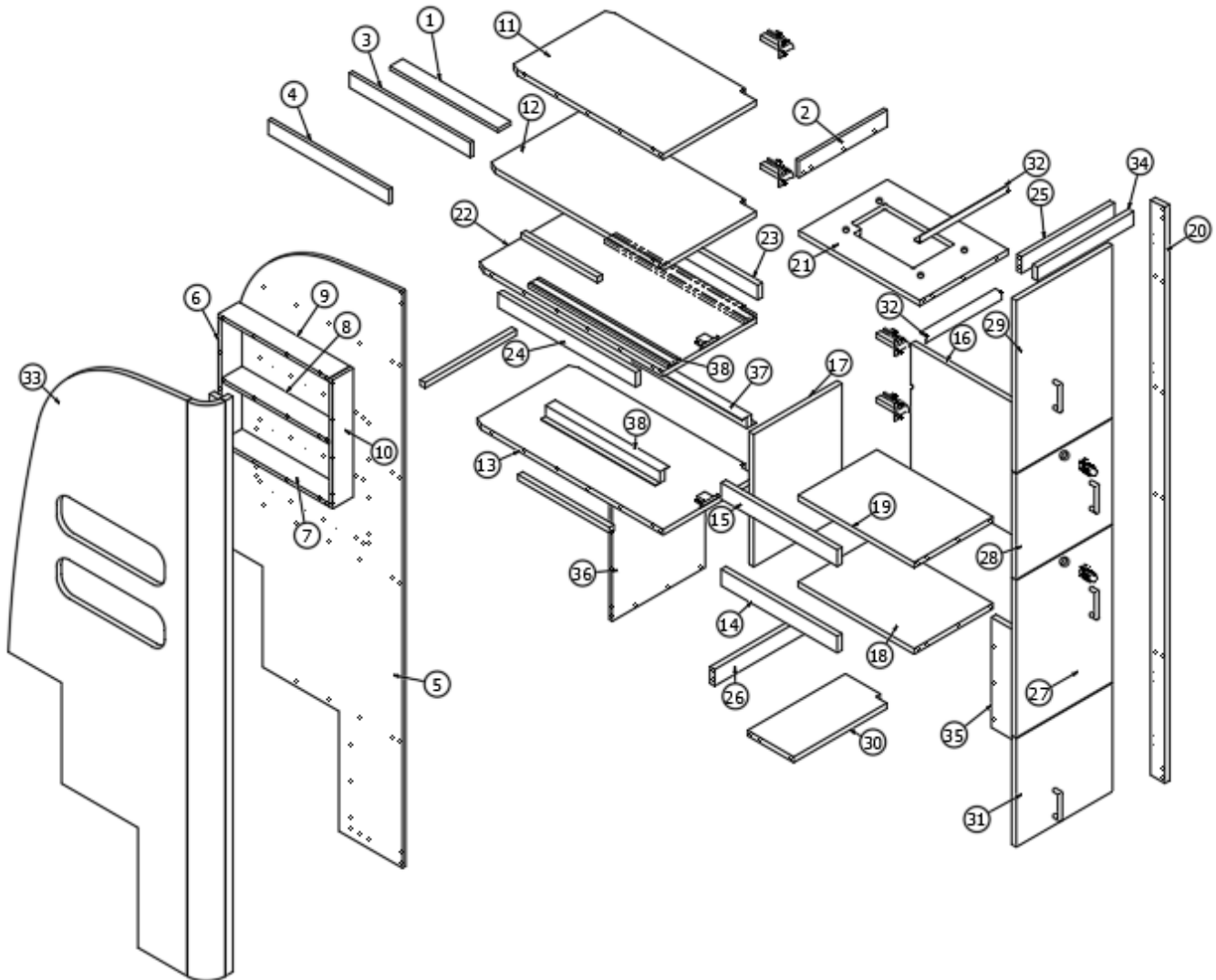
968751

Pantry Cabinet

1. 968751&000112CC	Panel, 15.38 x 16.47
2. 968751&000212BC	Panel, 29.87 x 78.65
3. 968751&000318CC	Panel, 2.25 x 78.72
4. 968751&000418CC	Panel, 29.75 x 15.38
5. 968751&000518CC	Panel, 2.5 x 18.25
6. 968751&000618CC	Panel, 2.5 x 18.25
7. 968751&000718CC	Panel, 2.5 x 18.25
8. 968751&000818CC	Panel, 18.25 x 12.38
9. 968751&000918CC	Panel, 32 x 18.25
10. 968751&001018CC	Panel, 2.5 x 18.25
11. 968751&001118CC	Panel, 27.75 x 15.38
12. 968751&001218CC	Panel, 18.25 x 12.38
13. 968751&001318CC	Panel, 18.25 x 12.38
14. 968751&001418CC	Panel, 24.75 x 15.38
15. 968751&001518CC	Panel, 15.38 x 8
16. 968751&001618CC	Panel, 2.25 x 3
17. 968751&001718CC	Panel, 13.88 x 32
18. 968751&001818BC	Panel, 15.25 x 35.31
19. 968751&001918BC	Panel, 3.29 x 24.13
20. 968751&002018BC	Panel, 15.25 x 35.31
21. 968751&002118BC	Panel, 15.25 x 15.25
22. 968751&002218BC	Panel, 2.25 x 14.63
381944-01	Slide, 18", Per set
381408	Lock, Push button, Black
382522	Pull, New Haven
381607-11	Hinge, Self-close
381228-02	Catch, Grabber door (5lb Pull)
382057	Knockdown
382057-04	Cap, Knockdown, White
203445-08	T-trim, Brown, 9/16"
203445-05	Molding-T 9/16" Holiday Wht, Natural Elm
365429-01	Edgebanding 5/8 Blk Walnut
365426-01	Edbanding-5/8 Natl Elm
365429-02	Edgebanding 15/16: Blk Walnut
365426-02	Edgebanding-15/16" Natl Elm

# 2022 GLOBETROTTER FURNITURE, GALLEY

## Pantry, Microwave Option, 30RB



969258

Ass'y - Pantry Cabinet W/ Microwave

- |     |                 |                           |
|-----|-----------------|---------------------------|
| 1.  | 969258&000112CC | Panel, 2.00 X 17.00       |
| 2.  | 969258&000212CC | Panel, 2.25 X 13.88       |
| 3.  | 969258&000412CC | Panel, 2.00 X 19.00       |
| 4.  | 969258&000512CC | Panel, 2.00 X 19.00       |
| 5.  | 969258&000712BC | Panel, 30.36 X 78.12      |
| 6.  | 969258&000812BC | Pre Laminate-3.25 X 16.50 |
| 7.  | 969258&000912BC | Pre Laminate-3.25 X 17.50 |
| 8.  | 969258&001012BC | Pre Laminate-3.25 X 17.00 |
| 9.  | 969258&001112BC | Pre Laminate-3.25 X 17.50 |
| 10. | 969258&001212BC | Pre Laminate-3.25 X 17.50 |

Parts Continued on Next Page



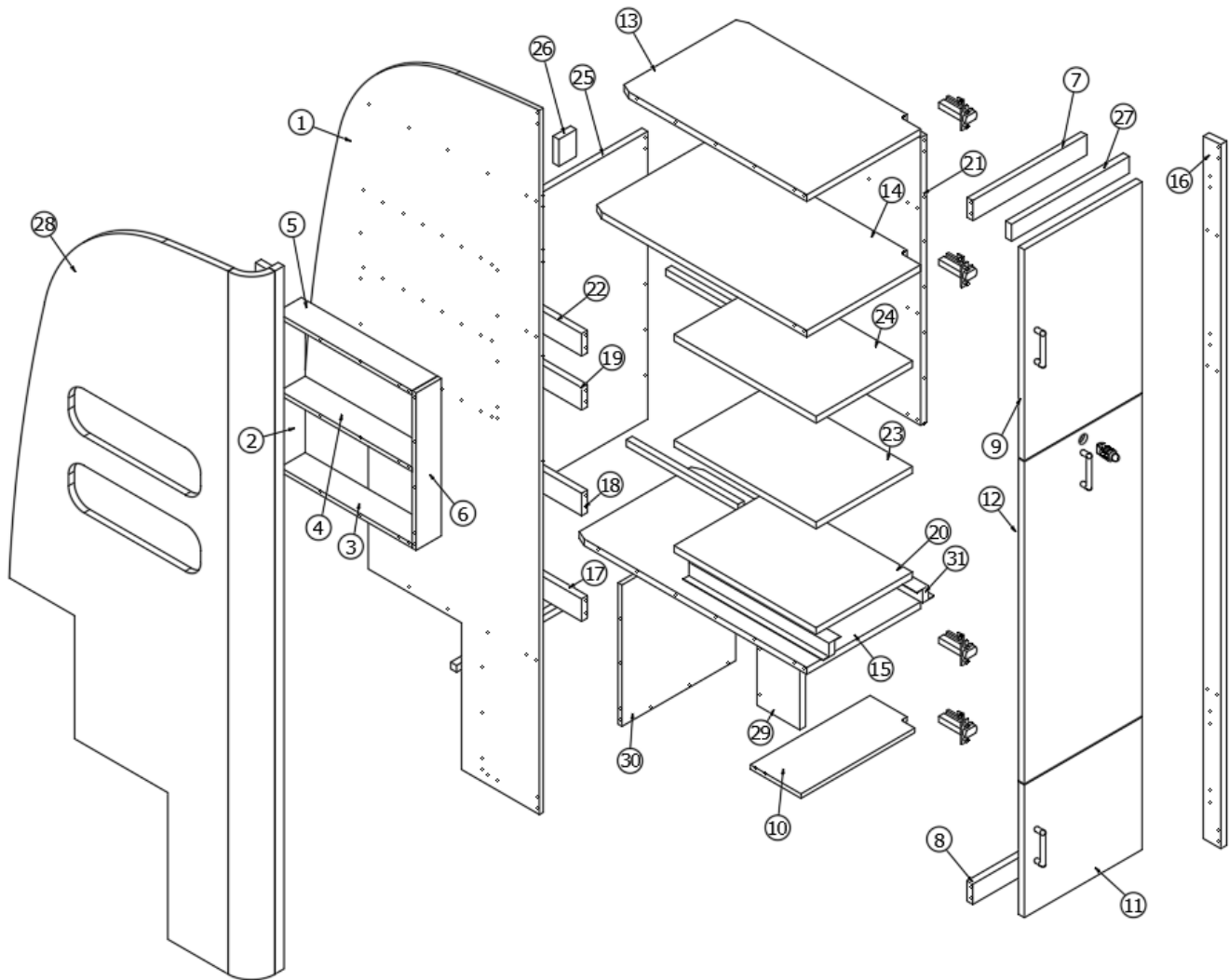
## 2022 GLOBETROTTER FURNITURE, GALLEY

### Pantry, Microwave Option, 30RB, Continued

11.	969258&001318CC	Panel, 24.00 X 15.38
12.	969258&001418CC	Panel, 27.50 X 15.38
13.	969258&001518CC	Panel, 29.75 X 15.38
14.	969258&001618CC	Panel, 2.25 X 18.25
15.	969258&001718CC	Panel, 2.25 X 18.25
16.	969258&001818CC	Panel, 18.00 X 18.25
17.	969258&001918CC	Panel, 18.00 X 13.88
18.	969258&002018CC	Panel, 12.38 X 18.25
19.	969258&002118CC	Panel, 12.38 X 18.25
20.	969258&002218CC	Panel, 2.25 X 78.25
21.	969258&002318CC	Panel, 19.00 X 13.88
22.	969258&002418CC	Panel, 15.38 X 29.31
23.	969258&002518CC	Panel, 2.00 X 19.00
24.	969258&002618CC	Panel, 2.00 X 19.00
25.	969258&002718BC	Panel, 2.30 X 14.63
26.	969258&002818BC	Panel, 2.25 X 14.63
27.	969258&002918BC	Panel, 21.38 X 15.25
28.	969258&003018BC	Panel, 14.31 X 15.25
29.	969258&003118BC	Panel, 15.25 X 23.81
30.	969258&003218CC	Panel, 15.38 X 8.00
31.	969258&003318BC	Panel, 15.25 X 14.75
32.	114812	Alum. Angle 1" X 1 "X 12"
33.	969257	Sub Ass'y - Pantry Panel
34.	969258&005918BC	Pnl-Prelam 1.88 X 15.13
35.	969258&004918CC	Pnl-Prelam .75 X 6.25 X 14.97
36.	969258&006512CC	Prelam .50 X 14.63 X 15.72
37.	381944-01	Slide, 18", Per set
38.	381090	Drawer Slide, Metal 22IN - Also 84.5 A/S (Per Pair)
	365429-01	Edgebanding 5/8 Blk Walnut
	365426-01	Edbanding-5/8 Natl Elm
	365429-02	Edgebanding 15/16: Blk Walnut
	365426-02	Edgebanding-15/16" Natl Elm
	381408	Lock, Push button, Black
	381408-1	Keeper, Push Lock
	382522	Pull, New Haven
	381607-11	Hinge, Self-close
	381228-02	Catch, Grabber door (5lb Pull)
	382057	Knockdown 8MM
	382057-04	Cap-Knockdown Wht #16387
	701538-01	Carpet-Econolier W/PSA Back

# 2022 GLOBETROTTER FURNITURE, GALLEY

Pantry, No Microwave, 30RB



969291

Ass'y - Pantry Cabinet W/O Microwave

- |     |                 |                           |
|-----|-----------------|---------------------------|
| 1.  | 969291&000112BC | Panel, 29.87 X 78.13      |
| 2.  | 969291&000212BC | Pre Laminate-3.54 X 16.50 |
| 3.  | 969291&000312BC | Pre Laminate-3.54 X 17.50 |
| 4.  | 969291&000412BC | Pre Laminate-3.54 X 17.00 |
| 5.  | 969291&000512BC | Pre Laminate-3.54 X 17.50 |
| 6.  | 969291&000612BC | Pre Laminate-3.54 X 17.50 |
| 7.  | 969291&000918BC | Panel, 3.27 X 14.63       |
| 8.  | 969291&001018BC | Panel, 2.25 X 14.63       |
| 9.  | 969291&001118BC | Panel, 15.25 X 23.63      |
| 10. | 969291&001212CC | Panel, 15.38 X 8.00       |
| 11. | 969291&001318BC | Panel, 15.25 X 14.75      |

Parts Continued on Next Page

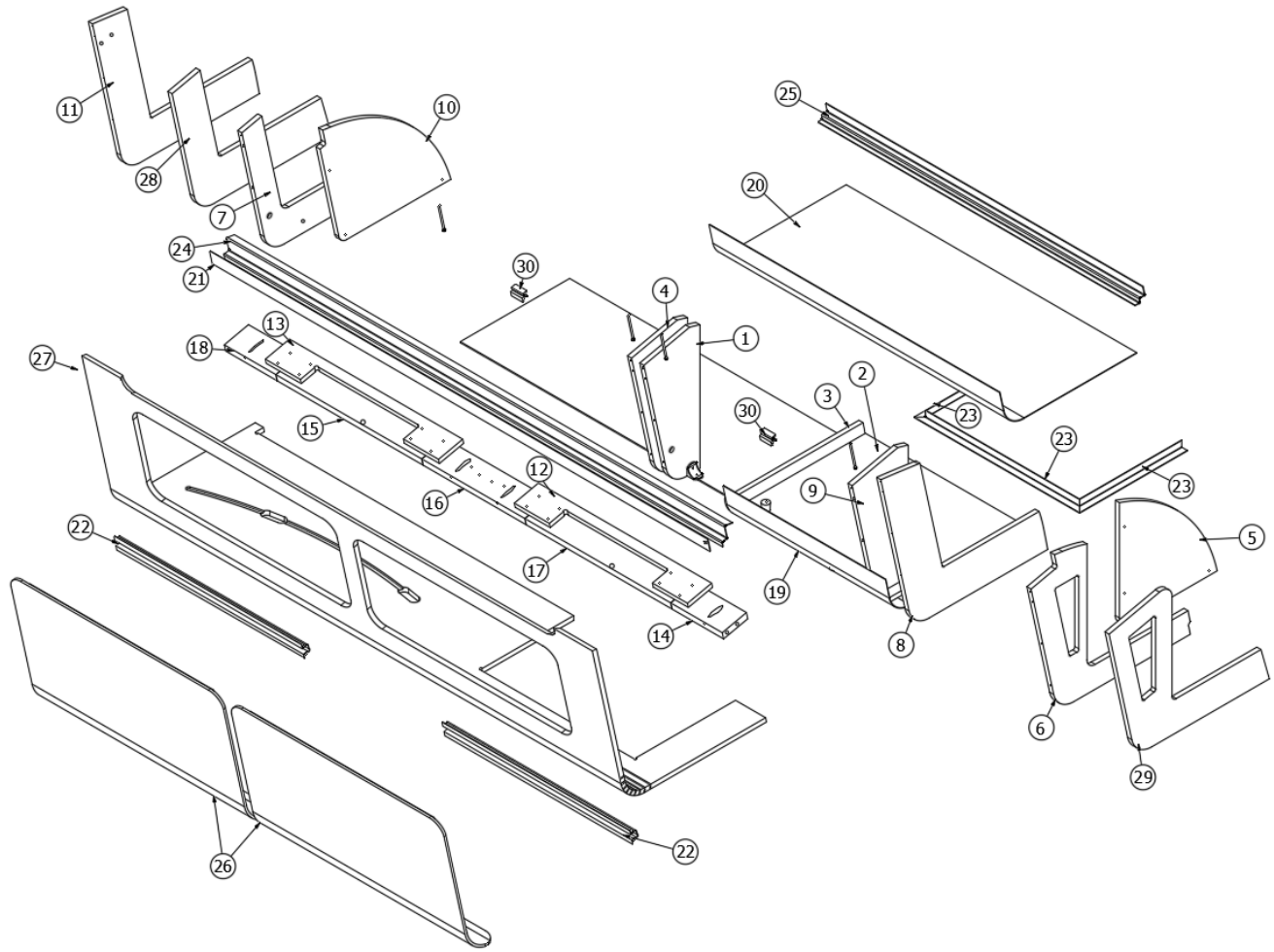
## 2022 GLOBETROTTER FURNITURE, GALLEY

### Pantry, No Microwave, 30RB, Parts Continued

12.	969291&001418BC	Panel, 15.25 X 35.31
13.	969291&001518CC	Panel, 24.00 X 15.38
14.	969291&001618CC	Panel, 27.50 X 15.38
15.	969291&001718CC	Panel, 29.75 X 15.38
16.	969291&001818CC	Panel, 2.25 X 78.63
17.	969291&001918CC	Panel, 2.50 X 18.25
18.	969291&002018CC	Panel, 2.50 X 18.25
19.	969291&002118CC	Panel, 2.50 X 18.25
20.	969291&002218CC	Panel, 18.25 X 12.38
21.	969291&002318CC	Panel, 32.00 X 18.25
22.	969291&002418CC	Panel, 2.50 X 18.25
23.	969291&002518CC	Panel, 18.25 X 12.38
24.	969291&002618CC	Panel, 18.25 X 12.38
25.	969291&002718CC	Panel, 13.88 X 32.00
26.	969291&002818CC	Pre Laminate-2.25 X 3.00
27.	969291&002918CC	Pre Laminate- 0.75 X 1.88 X15.13
28.	969257	Sub Ass'y - Pantry Panel
29.	969291&005218CC	Pnl-Prelam .75 X 6.25 X 16.03
30.	969291&005312CC	Pnl-Prelam .50 X 14.63 X 15.72
31.	381944-01	Slide, 18", Per set
	365429-01	Edgebanding 5/8 Blk Walnut
	365426-01	Edbanding-5/8 Natl Elm
	365429-02	Edgebanding 15/16: Blk Walnut
	365426-02	Edgebanding-15/16" Natl Elm
	381408	Lock, Push button, Black
	382522	Pull, New Haven
	381607-11	Hinge, Self-close
	381607-12	Baseplate-Grass 9.5X37/32
	381228-02	Catch, Grabber door (5lb Pull)
	382057	Knockdown 8MM
	382057-04	Cap-Knockdown Wht #16387
	701538-01	Carpet-Econolier W/PSA Back
	203138-03	Extrusion, Wall, Plastic, Beige
	203138-09	Extrusion, Wall, Plastic, Brown
	381192	Slide, Drawer, 18"" (1-RH AND 1-LH)
	381408-1	Keeper, Push Lock

# 2022 GLOBETROTTER FURNITURE, GALLEY

## Roof Locker, Galley, 23FB



Parts Listed on Next Page

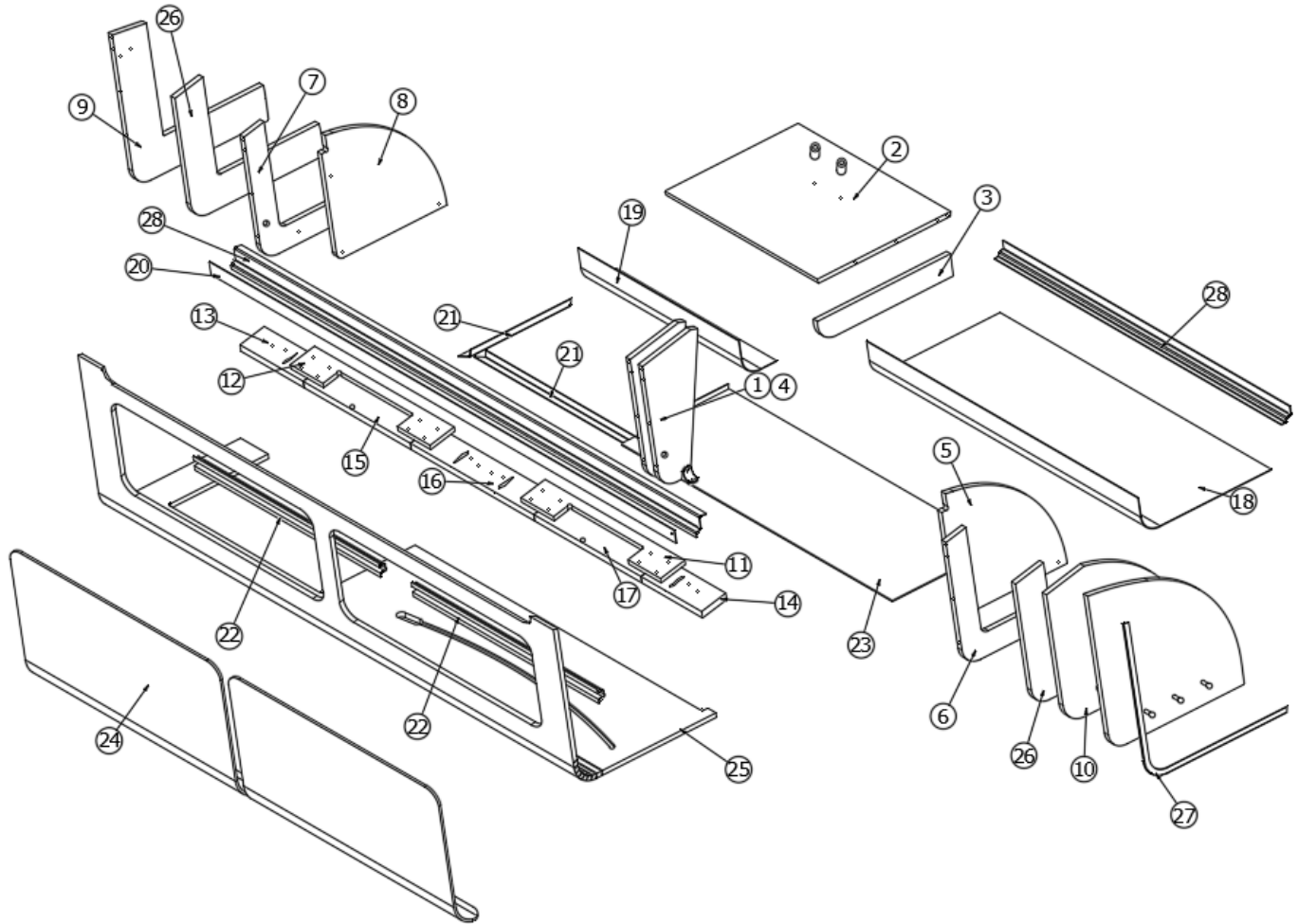
## 2022 GLOBETROTTER FURNITURE, GALLEY

### Roof Locker, Galley, 23FB

	969009	Galley Locker
1.	969009&000112CC	Panel, 6.79 X 15.44
2.	969009&000212CC	Panel, 18.69 X 15.59
3.	969009&000312CC	Panel, 2.50 X 16.56
4.	969009&000412CC	Panel, 6.79 X 15.44
5.	969009&000512CC	Panel, 16.11 X 13.91
6.	969009&000612CC	Panel, 18.95 X 16.58
7.	969009&000712CC	Panel, 19.16 X 14.75
8.	969009&000812CC	Panel, 20.24 X 17.43
9.	969009&000912CC	Panel, 6.79 X 15.44
10.	969009&001012CC	Panel, 16.11 X 13.91
11.	969009&001112CC	Panel, 20.24 X 17.43
12.	969009&001212CC	Pre Laminate- 0.50 X 3.00 X 19.06
13.	969009&001312CC	Pre Laminate- 0.50 X 3.00 X 19.06
14.	969009&001418CC	Panel, 3.00 X 8.94
15.	969009&001518CC	Panel, 3.00 X 15.75
16.	969009&001618CC	Panel, 3.00 X 11.00
17.	969009&001718CC	Panel, 3.00 X 15.75
18.	969009&001818CC	Panel, 3.00 X 8.94
19.	969009&001901CE	Panel, 7.60 X 19.69
20.	969009&002001CE	Panel, 19.32 X 36
21.	969009&002103CE	Panel, 1.50 X 60.38
22.	101401	Extrusion, Door Latch Housing/Stoneguard
23.	115483	Angle-Alum .06X.75"X.75"X6'
24.	116080	Front-Galley R/L .060 Alum
25.	116081	Rear-Galley R/L Rear
26.	802356-0040	Door-Curved Overhead Blk Walnut
	802356-0041	Door-Curved Overhead Natl Elm
27.	802408	Galley Locker Face
28.	802408-02	Divider, Partial
29.	802408-03	Divider, Partial
30.	513259	Switch- 12VDC Magnet #AP-SWI-105
	513297-19	Kit-Luna Light & Track 1'7"
	513332-33	Kit-Luna Light & 45" Alum Track
	513333-60	Kit-Luna Light & Plastic Track
	998241-02	Leatherette Fabric/Weld Cord 68"
	998241-04	Vinyl Fabric/Welt Cord Assy 34.5" Glo
	382525-01	Bracket-Ball Stud Mounting
	382525-02	Bracket-90 Deg Mounting
	382525-04	Gas Spring Ss 10#
	385963	Bracket Mtg. Angle Lambrequin
	701538-01	Carpet-Econolier W/Psa Back
	381607-12	Baseplate-Grass
	381607-16	Clip-Steel Grass Hinge
	381607-14	Hinge Nickel Plated Self Closing

# 2022 GLOBETROTTER FURNITURE, GALLEY

## Roof Locker, Galley, 25FB



### 968902 Assembly, Galley Roof Locker

1.	968902&000112CC	Panel, 6.79 X 15.44
2.	968902&000212CC	Panel, 18.69 X 16.38
3.	968902&000312CC	Panel, 2.50 X 16.81
4.	968902&000412CC	Panel, 6.79 X 15.44
5.	968902&000512CC	Panel, 16.11 X 13.91
6.	968902&000612CC	Panel, 19.28 X 14.75
7.	968902&000712CC	Panel, 19.52 X 14.75
8.	968902&000812CC	Panel, 16.11 X 13.91
9.	968902&002012CC	Panel, 20.24 X 17.43
10.	968902&002112CC	Panel, 18.70 X 15.96

Parts Continued on Next Page

## 2022 GLOBETROTTER FURNITURE, GALLEY

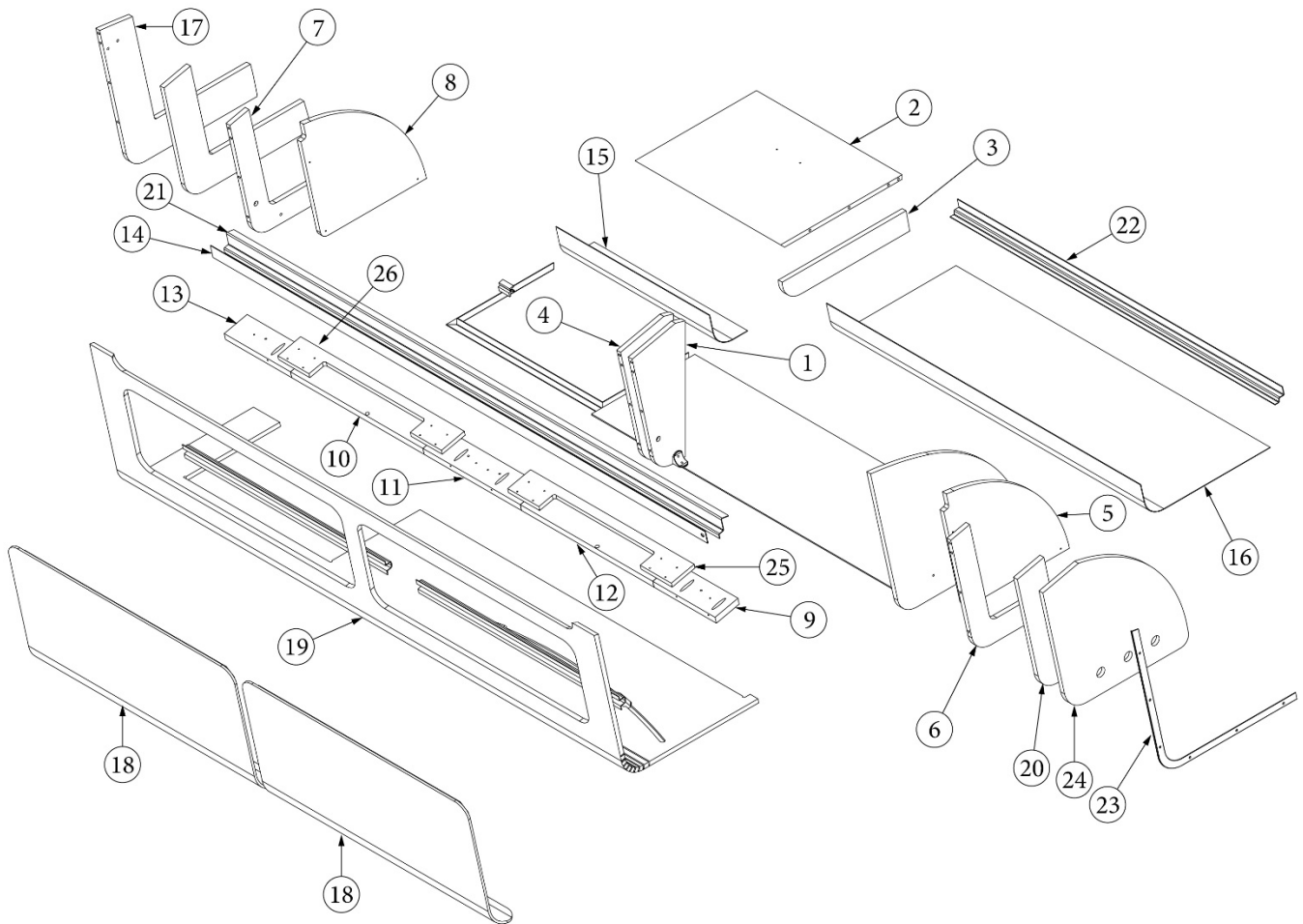
### Roof Locker, Galley, 25FB

968902 Assembly, Galley Roof Locker

11.	968902&002412CC	Pre Laminate- 0.50 X 3.00 X 17.13
12.	968902&002512CC	Pre Laminate- 0.50 X 3.00 X 17.13
13.	968902&001318CC	Panel, 3.00 X 7.75
14.	968902&000918CC	Panel, 3.00 X 7.44
15.	968902&001018CC	Panel, 3.00 X 13.13
16.	968902&001118CC	Panel, 3.00 X 15.13
17.	968902&001218CC	Panel, 3.00 X 13.13
18.	968902&001601CE	Panel, 19.32 X 33.75
19.	968902&001501CE	Panel, 7.60 X 19.69
20.	968902&001403CE	Panel, 1.50 X 57.00
21.	115483	Angle-Alum .06x.75"X.75"X6'
22.	101401	Extrusion, Door Latch Housing
23.	800507-01	Lauan, 1/8"X4'x8'
24.	802356-0040	Door-Overhead Curved, Black Walnut
	802356-0041	Door-Overhead Curved, Natural Elm
25.	802363	Face-Galley Locker - 25fbglo
26.	802363-01	Divider, Partial
27.	116396-01	Trim, Locker end
28.	116023	R/L Front Aluminum
29.	116024	R/L Rear Aluminum
	203445	T-Molding Blk Flexible Poly .56"
	365386-01	Edgebanding, Linen, 5/8"
	365386-02	Edgebanding, Linen, 15/16"
	513333-54	Kit, 3000k Luna Light & Plastic Track 4'6"
	513297-19	Kit-Luna Light & Track 1'7"
	513332-33	Kit, 3000k Luna Light & 45 Alum. Track 2'9"
	381136	Rubber Bumper
	381688	Bumpon
	380041	Brace 1" Stanley Corner
	385963	Bracket Mtg. Angle Lambrequin
	382525-01	Bracket-Ball Stud Mounting
	382525-02	Bracket-90 Deg Mounting
	513259	Switch- 12vdc Magnetic
	381607-14	Hinge Nickel Plated Self Closing
	701538-01	Carpet-Econoline W/PSA Backing
	382525-04	Gas Spring SS 10#
	381607-12	Baseplate-Grass
	381607-16	Clip-Steel Grass Hinge
	998241-02	Leatherette Fabric/Weld Cord 68"
	998241-04	Vinyl Fabric/Welt Cord Assembly 34.5"

# 2022 GLOBETROTTER FURNITURE, GALLEY

## Roof Locker, Galley, 27FB



Parts Listed on Next Page



## 2022 GLOBETROTTER FURNITURE, GALLEY

### Roof Locker, Galley, 27FB

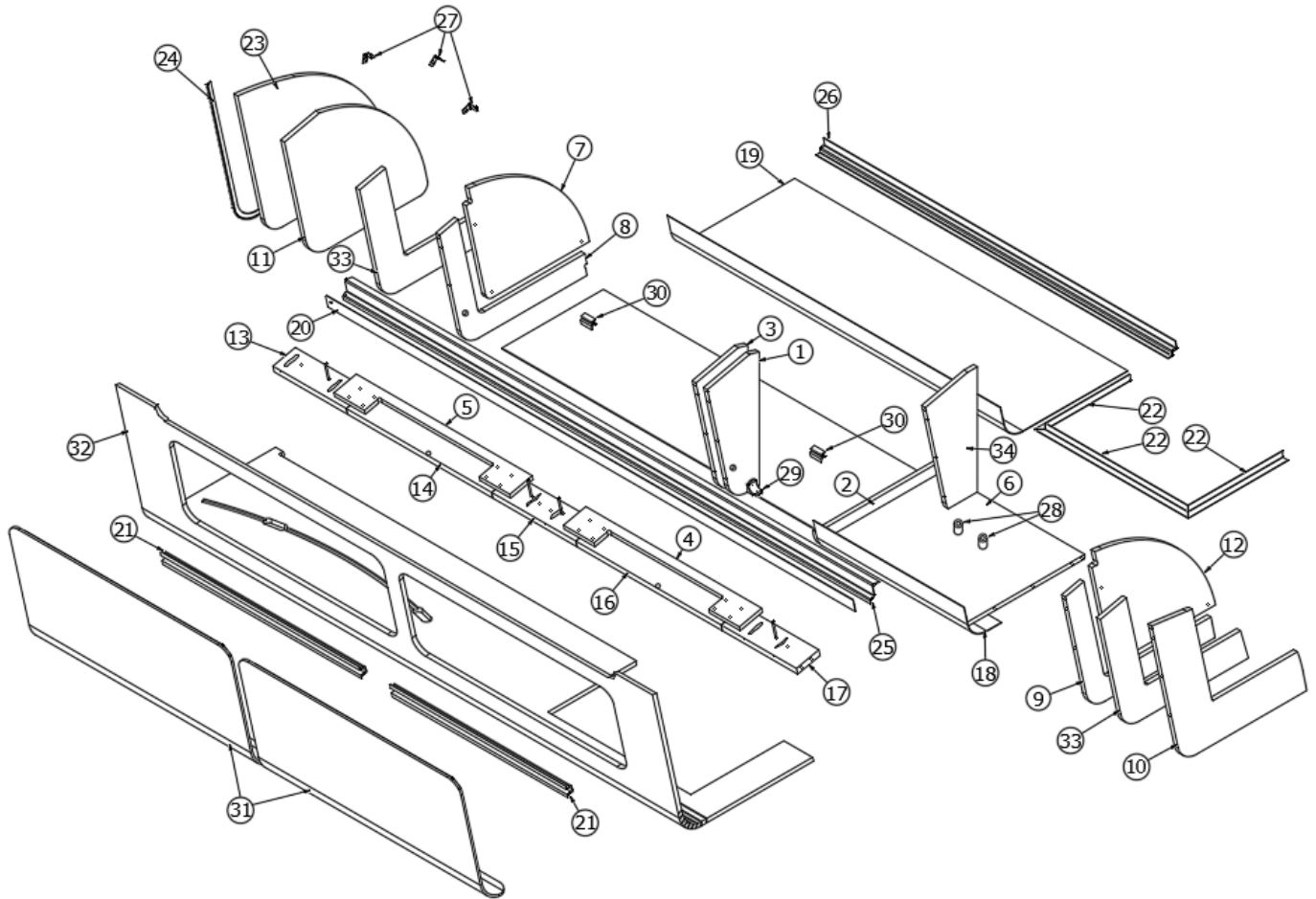
968688

Galley Roof Locker

1. 968688&000212CC	Pre laminate, 6.79 x 15.44"
2. 968688&000312CC	Pre laminate, 18.69 x 16.38"
3. 968688&000412CC	Pre laminate, 1 x 16.18"
4. 968688&000512CC	Pre laminate, 6.79 x 15.44"
5. 968688&000712CC	Pre laminate, 16.11 x 13.91"
6. 968688&000812CC	Pre laminate, 19.28 x 14.75"
7. 968688&000912CC	Pre laminate, 19.52 x 14.75"
8. 968688&001212CC	Pre laminate, 16.11 x 13.91"
9. 968688&001318CC	Pre laminate, 3 x 8"
10. 968688&001418CC	Pre laminate, 3 x 17"
11. 968688&001518CC	Pre laminate, 3 x 12.5"
12. 968688&001618CC	Pre laminate, 3 x 17"
13. 968688&001718CC	Pre laminate, 3 x 8.5"
14. 968688&001803CE	Pre laminate, 1.5 x 63.5"
15. 968688&001901CE	Pre laminate, 7.6 x 19.69"
16. 968688&002001CE	Pre laminate, 19.32 x 40.31"
17. 968688&002412CC	Pre laminate, 20.24 x 17.43"
18. 802245-0041	Overhead door assembly, Natural Elm
802245-0040	Overhead door assembly, Dark Walnut
19. 802250	Face, Galley locker
20. 802250-02	Divider, Partial
21. 115911	Front aluminum, Galley roof locker
22. 115912	Rear aluminum, Galley roof locker
23. 116396-01	Trim, Locker end
24. 968688&002512CC	Pre laminate, 18.7 x 15.96"
25. 968688&002912CC	Pre laminate, .5 x 3 x 21"
26. 968688&003012CC	Pre laminate, .5 x 3 x 21"
800507-01	Lauan 40.25 x 13.25 x 1/8"
802251	Galley end cap
203445	T-Molding Blk Flexible Poly .56"
381607-14	Hinge, Self-close
382525-01	Ball stud mounting bracket
382525-02	Mounting bracket, 90°
382525-04	Black carbon steel gas spring, 10 LB
513297-19	Kit, Luna light and track, 19"
513333-60	Kit, Luna light and plastic track
513332-40	Kit, Luna light and aluminum track
365386-01	Edgebanding, Linen, 5/8"
365386-02	Edgebanding, Linen, 15/16"

# 2022 GLOBETROTTER FURNITURE, GALLEY

## Roof Locker, Galley, 30RB



969265

Ass'y - Galley Locker

- |     |                 |                                   |
|-----|-----------------|-----------------------------------|
| 1.  | 969265&000112CC | Panel, 6.79 X 15.44               |
| 2.  | 969265&000212CC | Pre Laminate- 0.50 X 2.50 X 16.81 |
| 3.  | 969265&000312CC | Panel, 6.79 X 15.44               |
| 4.  | 969265&000412CC | Pre Laminate- 0.50 X 3.00 X 23.00 |
| 5.  | 969265&000512CC | Pre Laminate- 0.50 X 3.00 X 23.00 |
| 6.  | 969265&000612CC | Panel, 18.69 X 15.80              |
| 7.  | 969265&000712CC | Pre Laminate-16.11 X 13.91        |
| 8.  | 969265&000812CC | Panel, 19.28 X 14.75              |
| 9.  | 969265&000912CC | Pre Laminate-19.56 X 14.93        |
| 10. | 969265&001012CC | Panel, 20.24 X 17.43              |
| 11. | 969265&001112CC | Panel, 18.70 X 15.96              |
| 12. | 969265&001212CC | Pre Laminate-16.15 X 13.91        |
| 13. | 969265&001318CC | Panel, 3.00 X 9.59                |

Parts Continued on Next Page

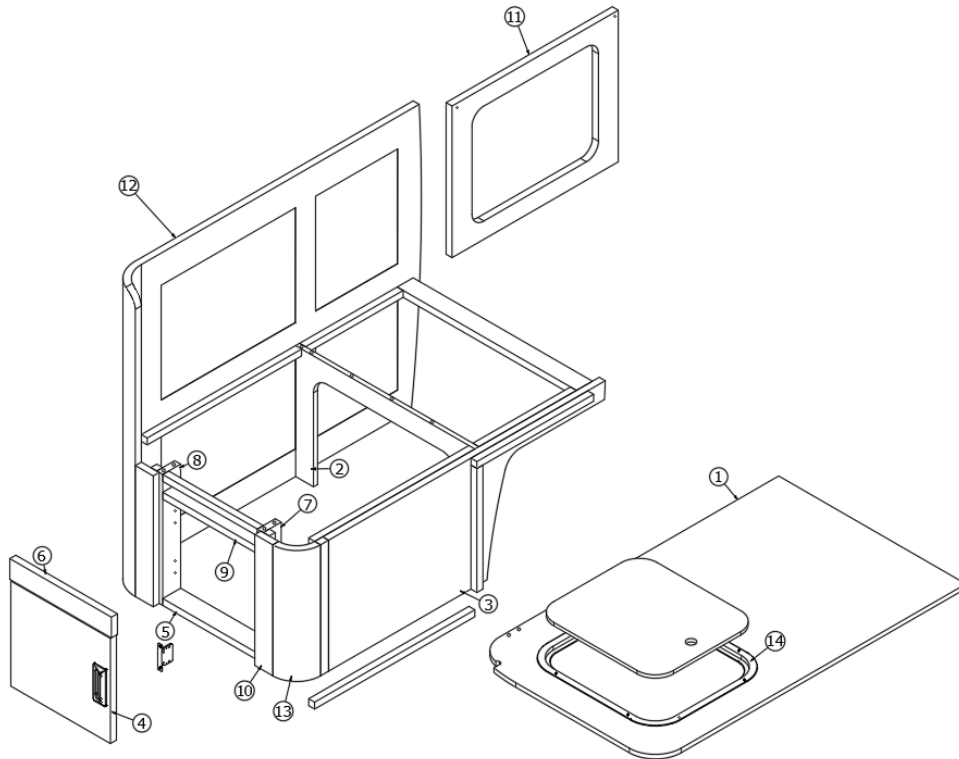
## 2022 GLOBETROTTER FURNITURE, GALLEY

### Roof Locker, Galley, 30RB

14.	969265&001418CC	Panel, 3.00 X 19.00
15.	969265&001518CC	Panel, 3.00 X 11.00
16.	969265&001618CC	Panel, 3.00 X 19.00
17.	969265&001718CC	Panel, 3.00 X 9.84
18.	969265&001801CE	Panel, 7.60 X 19.69
19.	969265&001901CE	Panel, 19.32 X 53.50
20.	969265&002003CE	Panel, 1.50 X 68.94
21.	101401	Extrusion, Door Latch Housing/Stoneguard
22.	115483	Angle-Alum .06x.75"X.75"X6'
23.	802459	End Cap - Galley 30RB GLO
24.	116396-01	Trim, Locker end
25.	101115-01	Alum.Sheet 30"X8'w/Protective Cvr
26.	101115	Sheet, Alum .060 X 48 X 120
27.	380041	Brace 1" Stanley Corner
28.	381136	Rubber Bumper
29.	385963	Bracket Mtg. Angle Lambrequin
30.	513259	Switc h- 12VDC Magnat #AP-SWI-1
31.	802245-0040	DR-Curved Overhead 6MM - Blk Walnut
	802245-0041	DR-Curved Overhead 6MM Nat'l Elm
32.	802458	Locker Face - Galley
33.	802458-02	Divider, Partial
34.	969265&006412CC	Pnl-Prelam 6.79 X 14.18
	386394	Coat Hook-Baldacci Chrome
	381607-12	Baseplate-Grass 9.5x37/32
	381607-14	Hinge Nickel Pltd Self Closing
	381688	Bumpon
	382525-01	Bracket-Ball Stud Mounting
	382525-02	Bracket-90 Deg Mounting
	382525-04	Gas Spring SS 10#
	513297-19	Kit-Luna Light & Track 1'7"
	513332-45	Kit-3000k Luna Light 3'9" W/Track
	513333-60	Kit-Luna Light & Plas Track G27
	701538-01	Carpet-Econolier W/PSA Back
	998241-02	Leatherette Fabric/Weld Cord 68"
	998241-04	Vinyl Fabric/Welt Cord Assy 34.5" GLO
	365386-01	Edgebanding, Linen, 5/8"
	365386-02	Edgebanding, Linen, 15/16"
	203445	T-Molding Blk Flexible Poly .56"

# 2022 GLOBETROTTER FURNITURE, LOUNGE

## Dinette Seat, Forward, 23FB



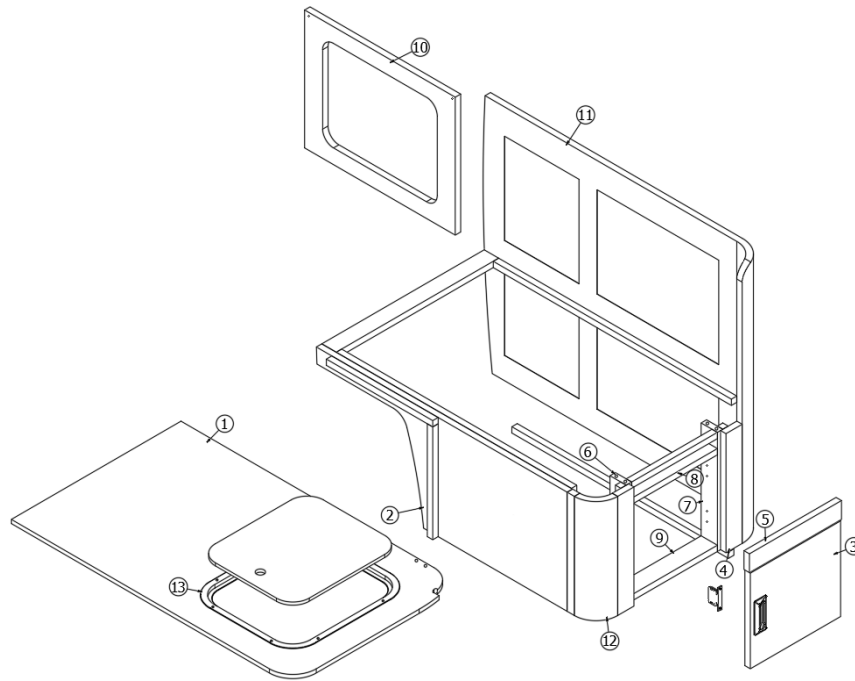
968974

### Assembly - Forward Dinette Seat

- |     |                 |  |
|-----|-----------------|--|
| 1.  | 968974&000112BC | Pre Laminate- 0.50 X 23.50 X 38.99           |
| 2.  | 968974&000212CC | Pre Laminate-22.50 X 14.25                   |
| 3.  | 968974&000318BC | Pre Laminate- 0.75 X 14.25 X 34.72           |
| 4.  | 968974&000418BC | Pre Laminate- 0.75 X 12.50 X 11.44           |
| 5.  | 968974&000518BC | Pre Laminate- 0.75 X 2.25 X 14.25            |
| 6.  | 968974&000618BC | Pre Laminate- 0.75 X 12.75 X 2.25            |
| 7.  | 968974&000718CC | Pre Laminate-2.25 X 14.25 EB1-               |
| 8.  | 968974&000818CC | Pre Laminate- 0.75 X 2.25 X 14.25            |
| 9.  | 968974&000918CC | Pre Laminate- 0.75 X 2.25 X 11.88            |
| 10. | 968974&001018CC | Pre Laminate- 0.75 X 2.25 X 11.88            |
| 11. | 968974&001112CE | Pre Laminate- 0.75 X 20.87 X 16.50           |
| 12. | 802389-0040     | Wall-Fwd Din Rad Black Walnut                |
|     | 802389-0041     | Wall-Fwd Din Rad Natural Elm                 |
| 13. | 968971          | Sub-Ass'y - "U" Dinette Seat Fwd             |
| 14. | 115812          | Trim Ring-Dinette Seat 22FB SP               |
|     | 365429-01       | Edgebanding 5/8 Blk Walnut                   |
|     | 365426-01       | Edgebanding-5/8 Natl Elm                     |
|     | 365429-02       | Edgebanding 15/16: Blk Walnut                |
|     | 365426-02       | Edgebanding-15/16" Natl Elm                  |
|     | 204286          | T-molding, Brown, 13/16"                     |
|     | 203440          | T Molding-Black Embossed .8125", Natural Elm |
|     | 381228-02       | Catch Grabber, 3lb                           |
|     | 381607-11       | Hinge-Self Close Overlay 110D                |
|     | 381607-12       | Baseplate-Grass 9.5x37/32                    |
|     | 381607-16       | Clip-Steel Grass Hinge#F072135751517         |
|     | 381775          | Drawer Pull-Flush Satin #UT-105/S            |

# 2022 GLOBETROTTER FURNITURE, LOUNGE

## Dinette Seat, Rear, 23FB



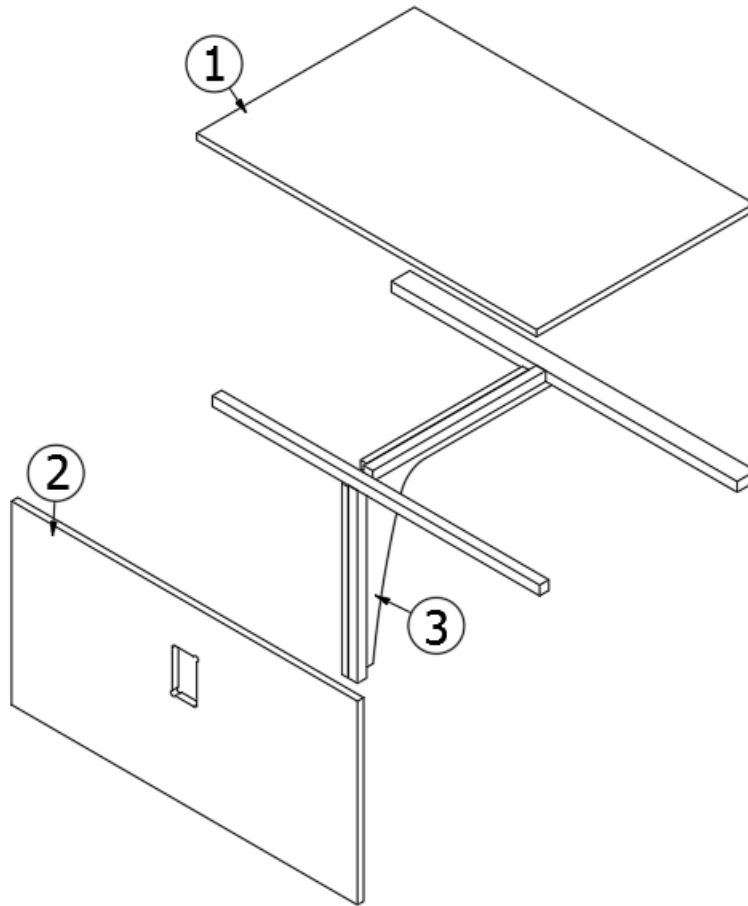
968973

Ass'y - Rear Dinette Seat

1.	968973&000112BC	Pre Laminate- 0.50 X 23.50 X 38.99
2.	968973&000218BC	Pre Laminate- 0.75 X 14.25 X 34.74
3.	968973&000318BC	Pre Laminate- 0.75 X 12.50 X 11.44
4.	968973&000418BC	Pre Laminate-2.25 X 14.25
5.	968973&000518BC	Pre Laminate-12.75 X 2.25
6.	968973&000618CC	Pre Laminate-2.25 X 14.25
7.	968973&000718CC	Pre Laminate-2.25 X 14.25
8.	968973&000818CC	Pre Laminate- 0.75 X 2.25 X 11.88
9.	968973&000918CC	Pre Laminate- 0.75 X 2.25 X 11.88
10.	968973&001012CE	Pre Laminate- 0.75 X 20.87 X 14.75
11.	802388-0040	Wall-Rear Din Rad Black Walnut
	802388-0041	Wall-Rear Din Rad natural Elm
12.	968970	Sub Ass'y - "U" Dinette Seat Rear
13.	115812	Trim Ring-Dinette Seat 22FB SP
	365429-01	Edgebanding 5/8 Blk Walnut
	365426-01	Edbanding-5/8 Natl Elm
	365429-02	Edgebanding 15/16: Blk Walnut
	365426-02	Edgebanding-15/16" Natl Elm
	203996	T-Molding Flexible Chestnut Brown 13/16, Dark Walnut
	203440	T Molding-Black Embossed .8125", Natural Elm
	381228-02	Catch Grabber, 3lb
	381607-11	Hinge-Self Close Overlay 110D
	381607-12	Baseplate-Grass 9.5x37/32
	381607-16	Clip-Steel Grass Hinge#F072135751517
	381775	Drawer Pull-Flush Satin #UT-105/S

# 2022 GLOBETROTTER FURNITURE, LOUNGE

## Dinette Seat, Middle, 23FB

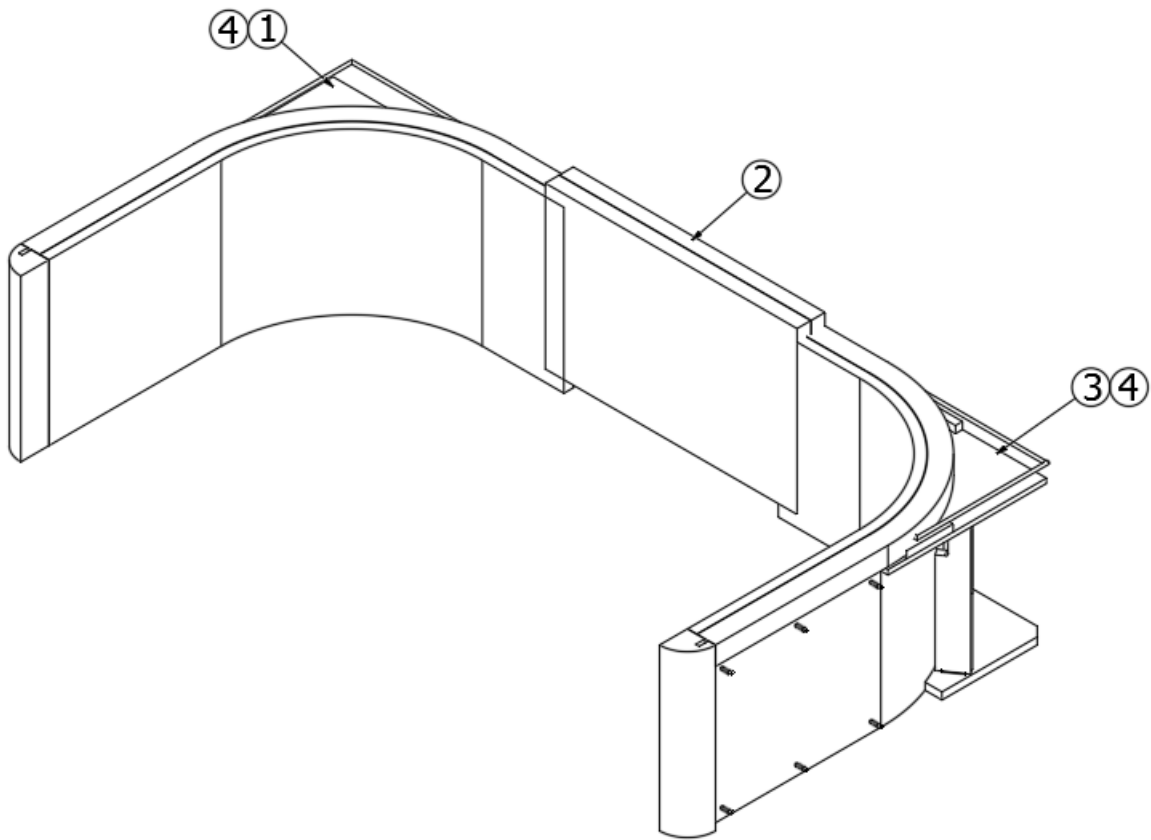


### 968972 Middle Dinette Seat Assembly

- |    |                 |                                    |
|----|-----------------|------------------------------------|
| 1. | 968972&000112BC | Pre Laminate- 0.50 X 27.50 X 17.62 |
| 2. | 968972&000212BC | Pre Laminate- 0.50 X 14.25 X 28.00 |
| 3. | 968972&000312CC | Pre Laminate-16.87 X 14.25         |
|    | 365429-01       | Edgebanding 5/8 Blk Walnut         |
|    | 365426-01       | Edbanding-5/8 Natl Elm             |

# 2022 GLOBETROTTER FURNITURE, LOUNGE

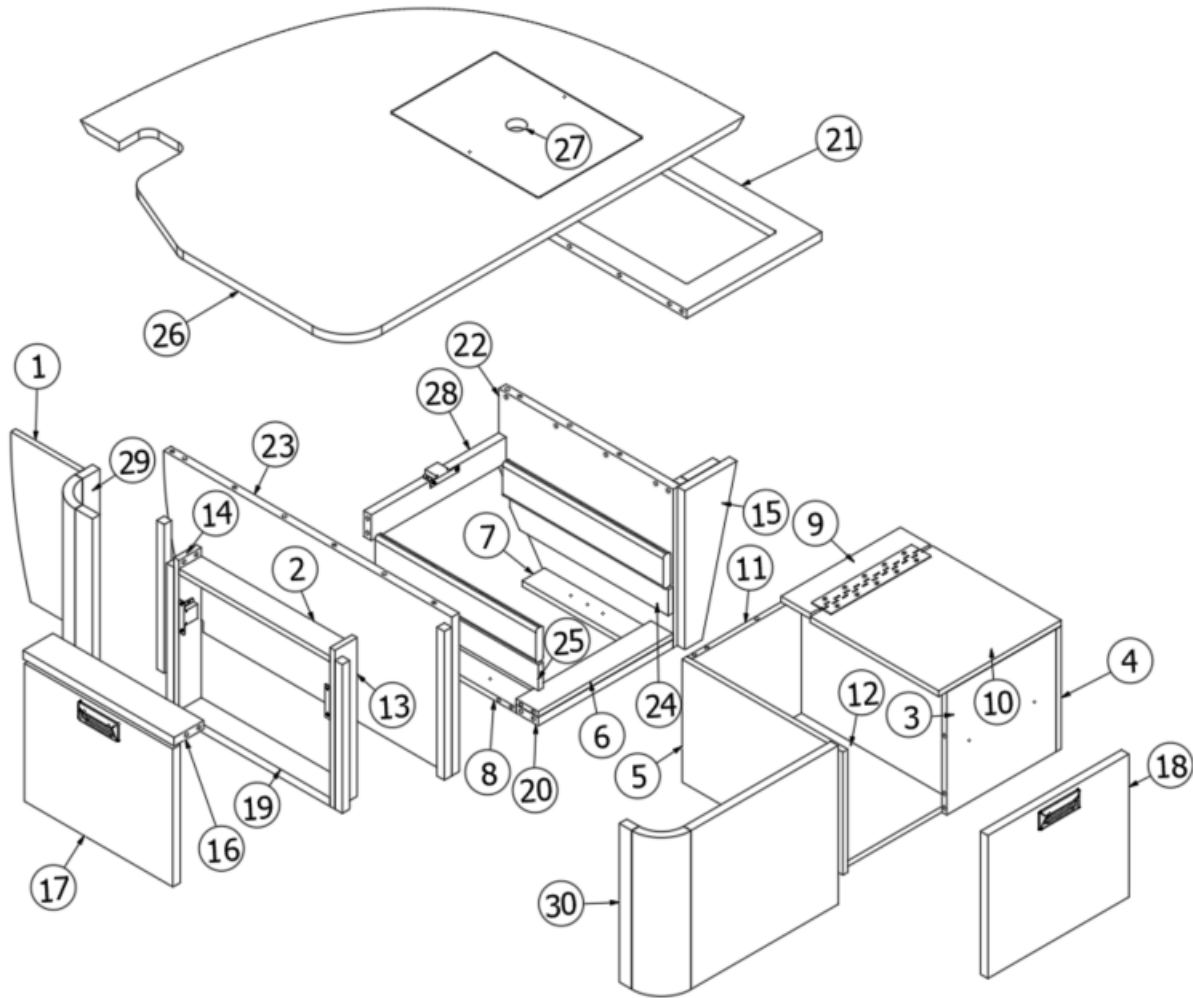
## Dinette Seat Backs, 23FB



- |    |           |   |
|----|-----------|---|
| 1. | 968976    | Sub Assy - Radius Seat Back Forward 23FBGLO |
| 2. | 968977    | Sub Ass'y - Radius Seat Back Wall           |
| 3. | 968978    | Sub Ass'y - Radius Seat Back Rear           |
| 4. | 998243-65 | Vinyl Fabric/Welt Cord London Grey          |
|    | 998243-66 | Vinyl Fabric/Welt Cord Barcelona Blue       |
|    | 998243-67 | Vinyl Fabric/Welt Cord Copenhagen Cream     |
|    | 998243-68 | Vinyl Fabric/Welt Cord Dublin Slate         |

# 2022 GLOBETROTTER FURNITURE, LOUNGE

Dinette Seat, Curbside, 25FB, 27FB



Parts Listed on Next Page



## 2022 GLOBETROTTER FURNITURE, LOUNGE

### Dinette Seat, Curbside, 25FB, 27FB

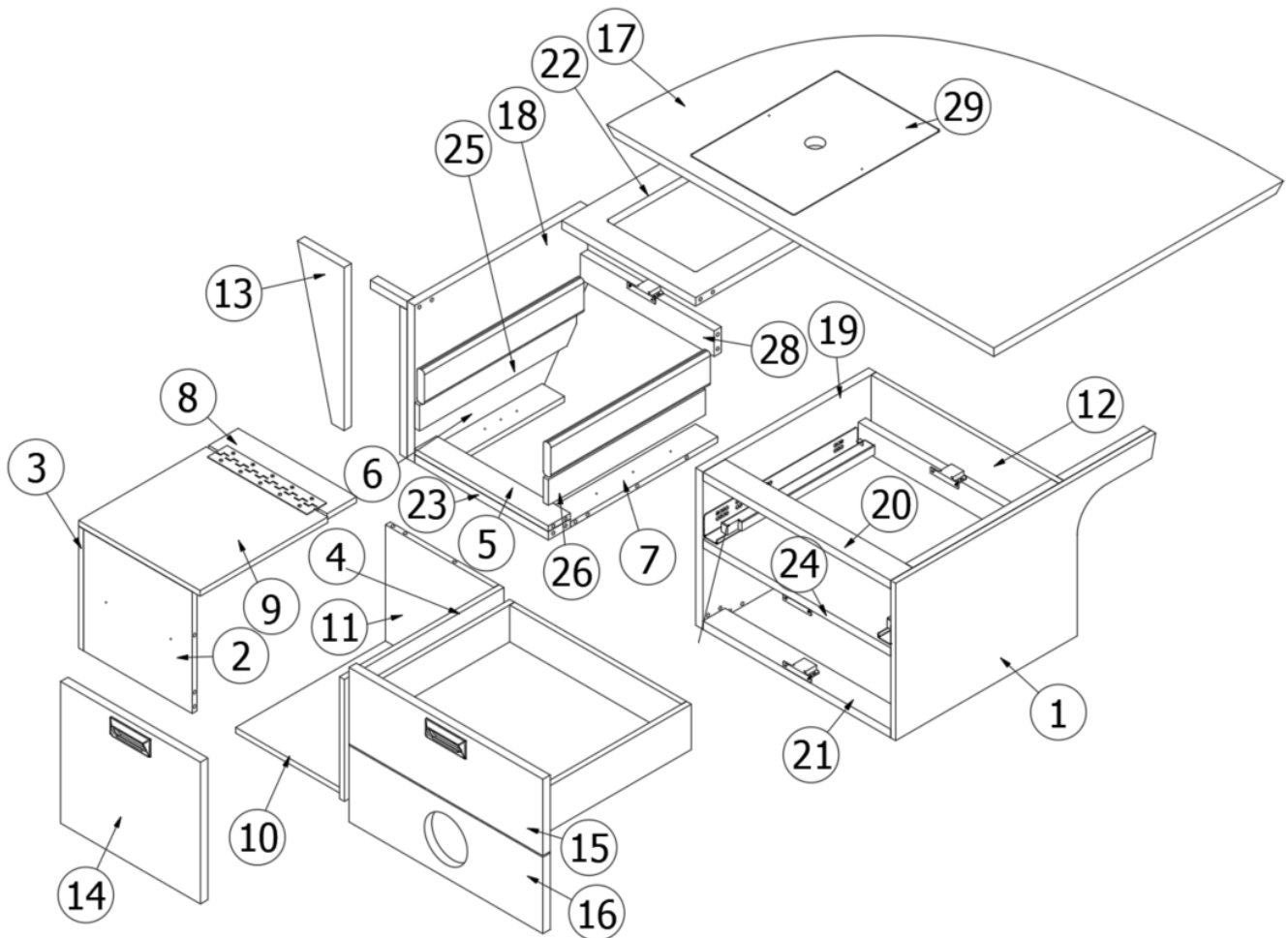
969475-01

Assembly, Dinette seat, CS

1. 969475&000112BC	Pre Laminate- 0.50 X 7.00 X 13.88
2. 969475&000212CC	Pre Laminate- 0.50 X 2.25 X 15.25
3. 969475&000312CC	Pre Laminate- 0.50 X 11.06X 10.75
4. 969475&000412CC	Pre Laminate- 0.50 X 16.25 X 10.75
5. 969475&000512CC	Pre Laminate- 0.50 X 16.25 X 10.75
6. 969475&000612CC	Pre Laminate- 0.50 X 13.63 X 2.25
7. 969475&000712CC	Pre Laminate- 0.50 X 2.25 X 10.75
8. 969475&000812CC	Pre Laminate- 0.50 X 2.25 X 15.00
9. 969475&000912CC	Pre Laminate- 0.50 X 12.06X 3..00
10. 969475&001012CC	Pre Laminate- 0.50 X 12.38 X 13.00
11. 969475&001112CC	Pre Laminate- 0.50 X 11.06X 10.75
12. 969475&001212CC	Pre Laminate- 0.50 X 11.06X 15.25
13. 969475&001312CC	Pre Laminate- 0.50 X 2.25 X 13.88
14. 969475&001412CC	Pre Laminate- 0.50 X 2.25 X 13.88
15. 969475&001518BC	Pre Laminate- 0.75 X 5.25 X 13.88
16. 969475&001618BC	Pre Laminate- 0.75 X 15.25 X 3.00
17. 969475&001718BC	Pre Laminate- 0.75 X 15.00 X 12.06
18. 969475&001818BC	Pre Laminate- 0.75 X 14.25 X 12.50
19. 969475&001918CC	Pre Laminate- 0.75 X 2.25 X 15.25
20. 969475&002018CC	Pre Laminate- 0.75 X 13.63 X 2.25
21. 969475&002118CC	Pre Laminate- 0.75 X 13.63 X 17.63
22. 969475&002218CC	Pre Laminate- 0.75 X 17.63 X 13.88
23. 969475&002318CC	Pre Laminate- 0.75 X 29.13 X 13.88
24. 969475&002412CC	Pnl-Prelam .50 X 16.00 X 2.25
25. 969475&002512CC	Pnl-Prelam .50 X 16.00 X 2.25
26. 969475&002618CC	Pre Laminate- 0.75 X 40.13 X 33.20
27. 969475&002718CC	Pre Laminate- 0.75 X 10.50 X 14.88
28. 969475&002818CC	Pre Laminate- 0.75 X 13.63 X 2.25
29. 969473-01	Sub Assy - Left CS Dinette Seat Glo
30. 969474-01	Sub Assy - Right CS Dinette Seat Glo
380203-01	Piano Hinge 1/8"" Pin Clr Anodized
381228	Catch Grabber Door C3-810
381826	Slide-Ball Bearing 16" 28'CCD
381775	Drawer pull
381072-01	Hinge 3" x 2", Fixed pin
381228-02	Catch, Grabber door (5lb Pull)
365429-01	Edgebanding 5/8 Blk Walnut
365426-01	Edbanding-5/8 Natl Elm
365429-02	Edgebanding 15/16: Blk Walnut
365426-02	Edgebanding-15/16" Natl Elm

# 2022 GLOBETROTTER FURNITURE, LOUNGE

Dinette Seat, Roadside, 25FB, 27FB



Parts Listed on Next Page

## 2022 GLOBETROTTER FURNITURE, LOUNGE

### Dinette Seat, Roadside, 25FB, 27FB

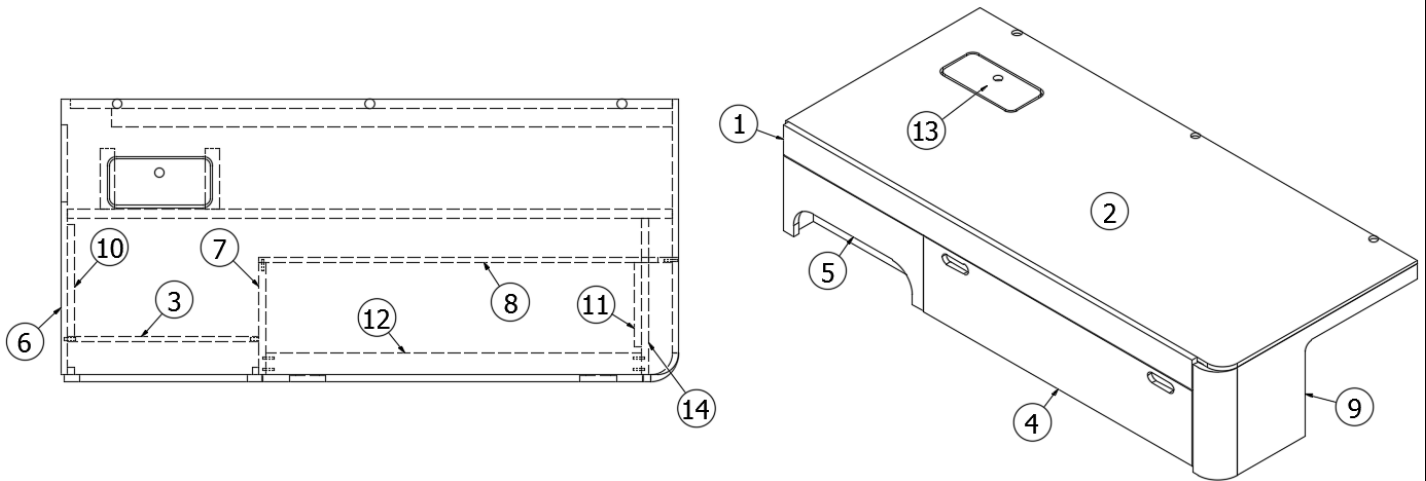
969476-01

Ass'y - RS Dinette Seat

1.	969476&000112CC	Pre Laminate- 0.50 X 13.88 X 26.50
2.	969476&000212CC	Pre Laminate- 0.50 X 10.75 X 11.06
3.	969476&000312CC	Pre Laminate- 0.50 X 10.75 X 16.25
4.	969476&000412CC	Pre Laminate- 0.50 X 10.75 X 16.25
5.	969476&000512CC	Pre Laminate- 0.50 X 13.63 X 2.25
6.	969476&000612CC	Pre Laminate- 0.50 X 2.25 X 10.75
7.	969476&000712CC	Pre Laminate- 0.50 X 2.25 X 15.00
8.	969476&000812CC	Pre Laminate- 0.50 X 12.06 X 3.00
9.	969476&000912CC	Pre Laminate- 0.50 X 13.00 X 12.38
10.	969476&001012CC	Pre Laminate- 0.50 X 15.25 X 11.06
11.	969476&001112CC	Pre Laminate- 0.50 X 10.75 X 11.06
12.	969476&001212CC	Pre Laminate- 0.50 X 6.69 X 19.13
13.	969476&001318BC	Pre Laminate- 0.75 X 14.38 X 4.75
14.	969476&001418BC	Pre Laminate- 0.75 X 12.50 X 14.25
15.	969476&001518BC	Pre Laminate- 0.75 X 6.75 X 19.75
16.	969476&001618BC	Pre Laminate- 0.75 X 6.75 X 19.75
17.	969476&001718CC	Pre Laminate- 0.75 X 29.50 X 39.44
18.	969476&001818CC	Pre Laminate- 0.75 X 13.88 X 17.63
19.	969476&001918CC	Pre Laminate- 0.75 X 13.88 X 17.63
20.	969476&002018CC	Pre Laminate- 0.75 X 2.25 X 19.13
21.	969476&002118CC	Pre Laminate- 0.75 X 2.25 X 19.13
22.	969476&002218CC	Pre Laminate- 0.75 X 17.63 X 13.63
23.	969476&002318CC	Pre Laminate- 0.75 X 2.25 X 13.63
24.	969476&002418CC	Pre Laminate- 0.75 X 17.13 X 19.13
25.	969476&002512CC	Pnl-Prelam .50 X 2.25 X 16.00
26.	969476&002612CC	Pnl-Prelam .50 X 2.25 X 16.00
27.	969476&002718CC	Pre Laminate- 0.75 X 2.25 X 19.13
28.	969476&002818CC	Pre Laminate- 0.75 X 2.25 X 13.63
29.	969476&002918CC	Pre Laminate- 0.75 X 14.88 X 10.50
	381775	Drawer pull
	381072-01	Hinge, 3" x 2", Fixed pin
	381228-02	Catch, Grabber door (5lb Pull)
	380203-01	Piano Hinge 1/8" Pin Clr Anodized
	381228	Catch Grabber Door C3-810
	381826	Slide-Ball Bearing 16" 28'CCD
	968224-14	Drawer box assembly 18.50 X 15.00
	365429-01	Edgebanding 5/8 Blk Walnut
	365426-01	Edbanding-5/8 Natl Elm
	365429-02	Edgebanding 15/16: Blk Walnut
	365426-02	Edgebanding-15/16" Natl Elm

# 2022 GLOBETROTTER FURNITURE, LOUNGE

Sofa, 25FB, 27FB



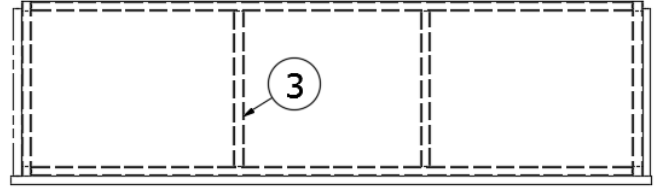
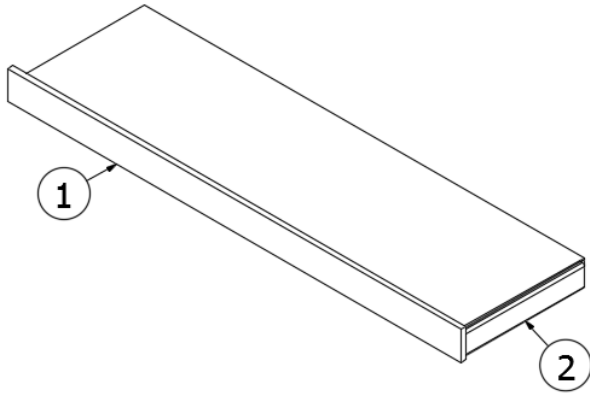
968740

Sofa Assembly

- |                     |                                     |
|---------------------|-------------------------------------|
| 1. 968738           | Sofa bed                            |
| 2. 968740&000212CE  | Panel, 29.5 x 66.19                 |
| 3. 968740&000312BC  | Panel, 20.5 x 5                     |
| 4. 968740&000418BC  | Panel, 9.88 x 40.63                 |
| 5. 968740&000518BC  | Panel, 9.88 x 21.13                 |
| 6. 968740&000618BC  | Panel, 14.13 x 26.75                |
| 7. 968740&000718BC  | Panel, 10.13 x 12                   |
| 8. 968740&000812CC  | Panel, 10.13 x 44.19                |
| 9. 968739           | Sub assembly, Right radius          |
| 10. 968740&001018CC | Panel, 2.25 x 12                    |
| 11. 968740&001118CC | Panel, 2.25 x 9                     |
| 12. 968740&001518CC | Panel, 2.25 x 40.19                 |
| 13. 968740&002512CE | Panel, 10.75 x 5                    |
| 14. 968740&002918CC | Panel, 16.75 x 14.13                |
| 381775              | Drawer pull                         |
| 381072-01           | Hinge 3" x 2", Fixed pin            |
| 381228-02           | Catch, Grabber door (5lb Pull)      |
| 204283              | Storage box, 15Qt, 12 x 16.8 x 6.6" |
| 382057              | Knockdown                           |
| 382057-04           | Cap, Knockdown, White               |
| 365429-02           | Edgebanding 15/16: Blk Walnut       |
| 365426-02           | Edgebanding-15/16" Natl Elm         |
| 365429-01           | Edgebanding 5/8 Blk Walnut          |
| 365426-01           | Edbanding-5/8 Natl Elm              |

# 2022 GLOBETROTTER FURNITURE, LOUNGE

Sofa Bed, 25FB, 27FB



968738

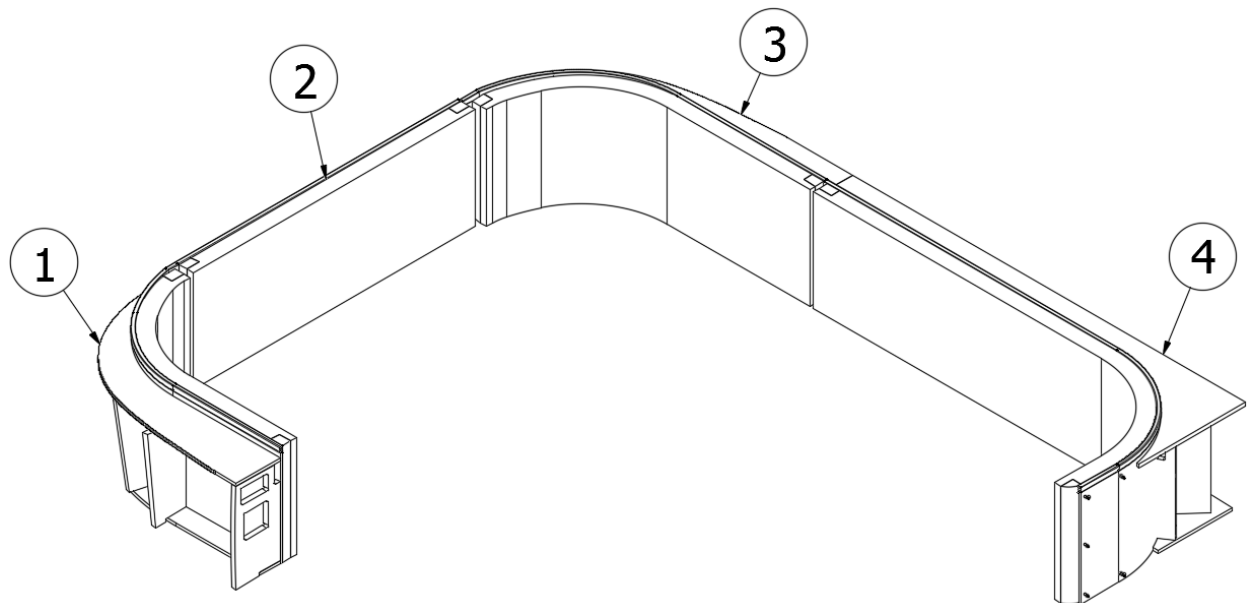
Sofa Bed

1. 968738&000218BC
2. 381826
3. 916415  
365429-02  
365426-02

Panel, 3.88 x 61.88  
Slide, Ball bearing, 16"  
Sofa bed weldment  
Edgebanding 15/16: Blk Walnut  
Edgebanding-15/16" Natl Elm

# 2022 GLOBETROTTER FURNITURE, LOUNGE

Seat Backs, 25FB, 27FB



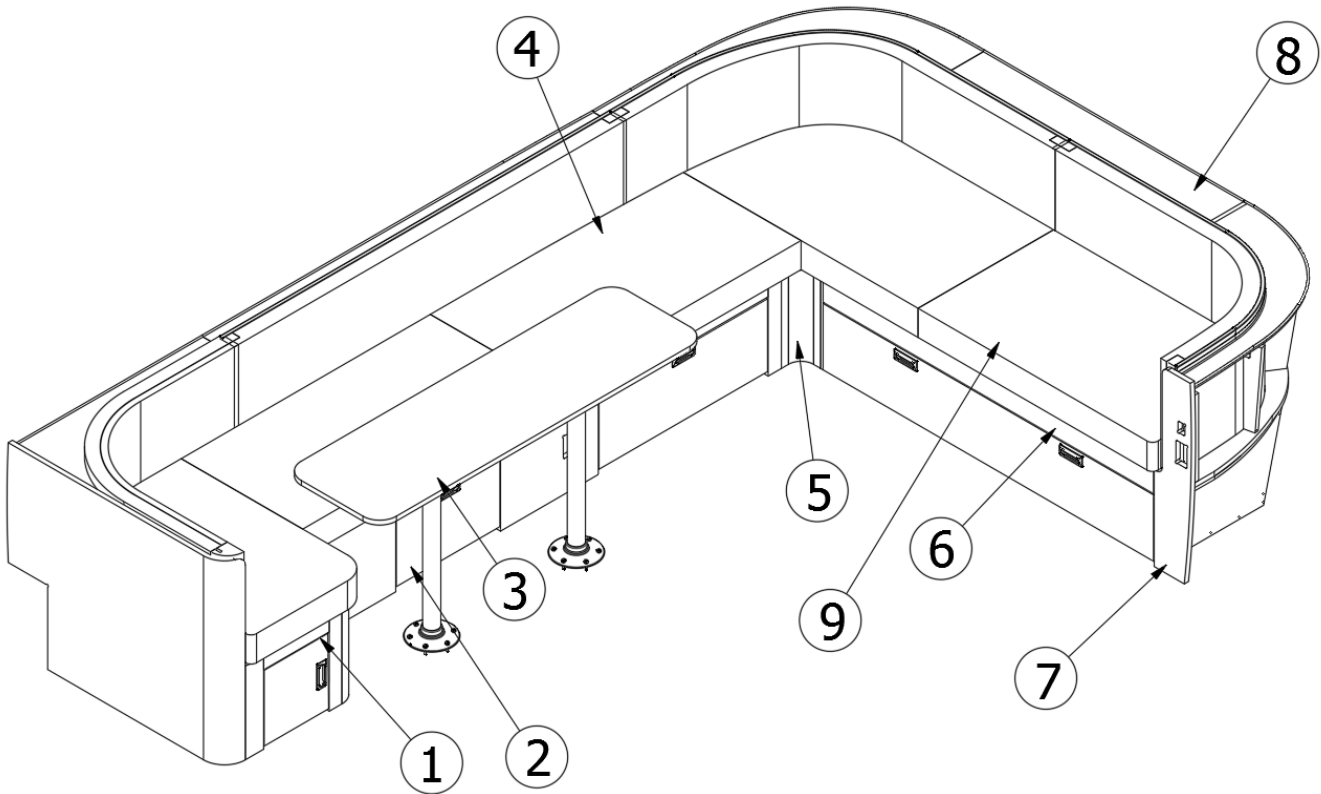
112588

Seat Back Install

- |           |                                    |
|-----------|------------------------------------|
| 1. 968708 | Sub assembly, CS radius seat back  |
| 2. 968743 | Sub assembly, Rear seat back       |
| 3. 968709 | Sub assembly, RS radius seat back  |
| 4. 968711 | Sub assembly, Mid radius seat back |

# 2022 GLOBETROTTER FURNITURE, LOUNGE

Lounge, 30RB

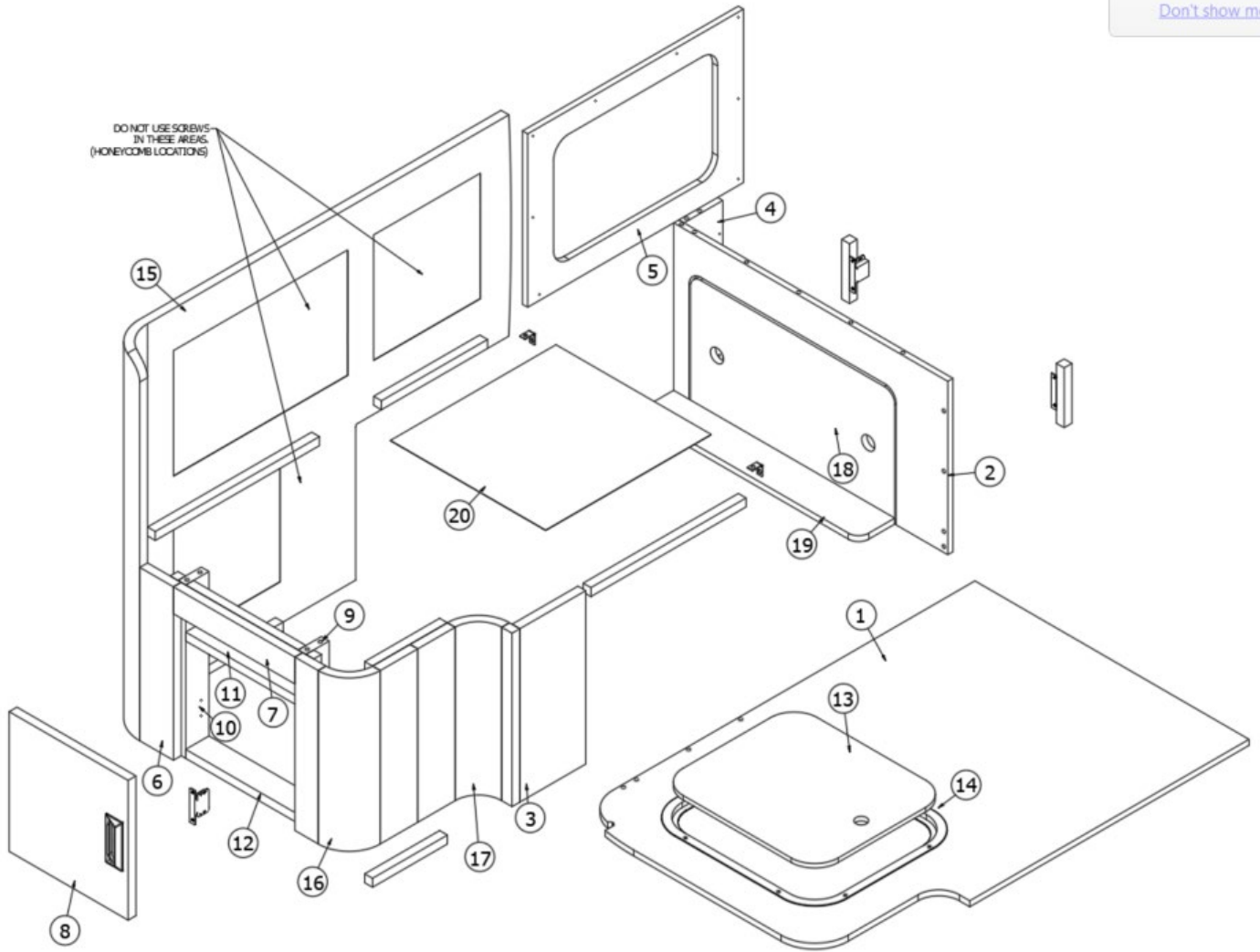


- |    |            |   |
|----|------------|---|
| 1. | 969278     | Ass'y - Dinette Seat                        |
| 2. | 969275     | Ass'y - Lounge Aft                          |
| 3. | 969279     | Ass'y - Dinette Table                       |
| 4. | 969274     | Ass'y - Lounge Fwd                          |
| 5. | 969273     | Ass'y - Corner Seat Base                    |
| 6. | 969271     | Ass'y - Sofa Endshell                       |
| 7. | 802461     | Panel Entry Door                            |
| 8. | 113205     | Seat Backs Install 30RB GLO                 |
| 9. | 704703-1CC | Kit-Seating Vinyl Complete Copenhagen Cream |
|    | 704703-BB  | Kit-Seating Vinyl Complete Barcelona Blue   |
|    | 704703-DS  | Kit-Seating Vinyl Complete Dublin Slate     |
|    | 704703-LG  | Kit-Seating Vinyl Complete London Grey      |
|    | 112671-08  | Vinyl - Under Bed Storage                   |

# 2022 GLOBETROTTER FURNITURE, LOUNGE

## Dinette Seat, 30RB

[Don't show m](#)



Parts Listed on Next Page



## 2022 GLOBETROTTER FURNITURE, LOUNGE

### Dinette Seat, 30RB

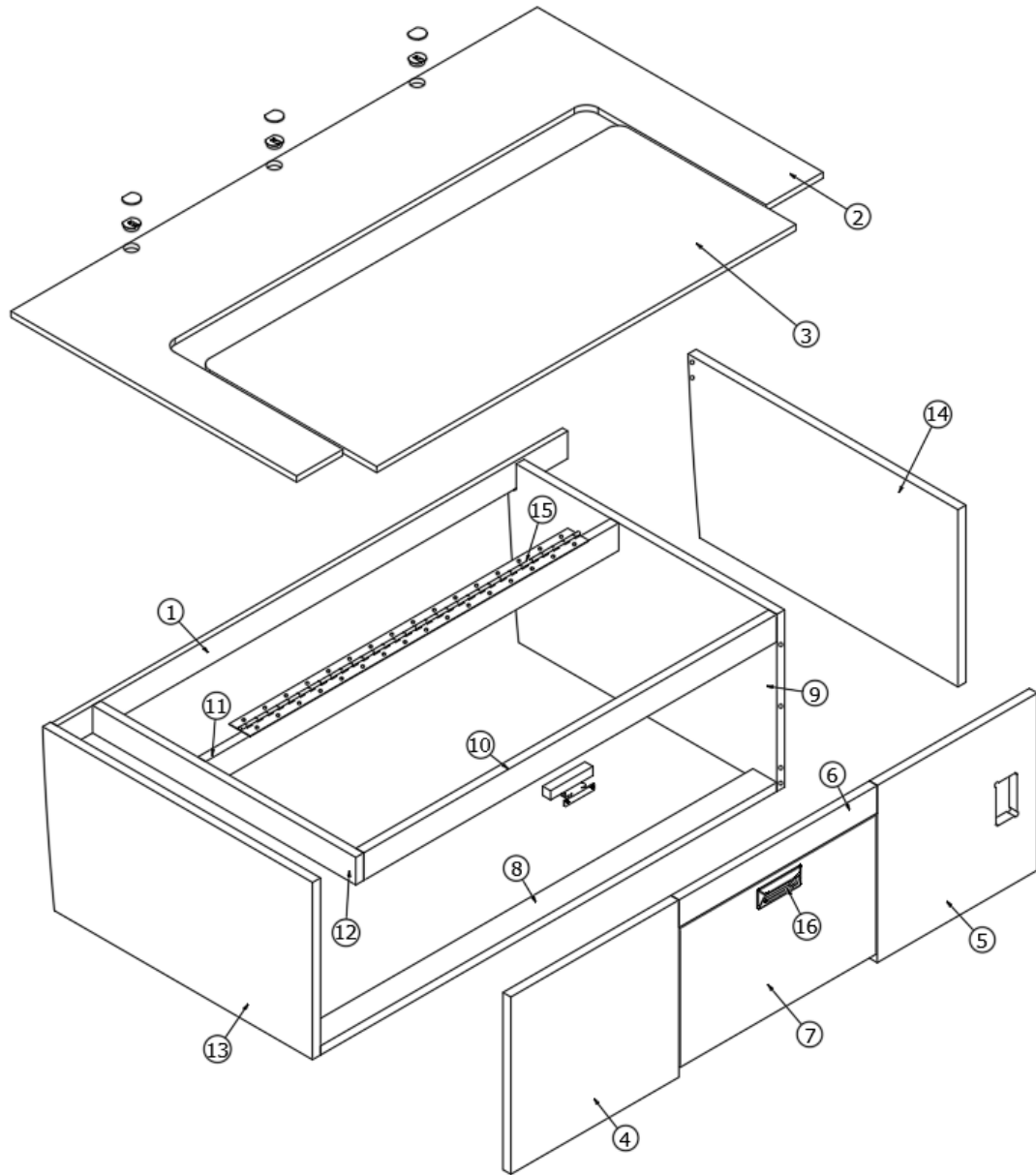
969278

Ass'y - Dinette Seat

1.	969278&000112CC	Pre Laminate- 0.50 X 26.50 X 38.99
2.	969278&000212CC	Pre Laminate- 26.50 X 14.50
3.	969278&000318CC	Pre Laminate- 0.50 X 6.38 X 14.50
4.	969278&000512CC	Pre Laminate- 0.50 X 4.75 X 14.50
5.	969278&000612CE	Pre Laminate- 0.50 X 20.87 X 14.50
6.	969278&000718BC	Pre Laminate- 0.75 X 3.25 X 14.50
7.	969278&000818BC	Pre Laminate- 0.75 X 11.75 X 2.25
8.	969278&000918BC	Pre Laminate- 0.75 X 11.50 X 11.69
9.	969278&001018CC	Pre Laminate-2.25 X 14.50
10.	969278&001118CC	Pre Laminate- 0.75 X 2.25 X 14.50
11.	969278&001218CC	Pre Laminate- 0.75 X 2.25 X 10.88
12.	969278&001318CC	Pre Laminate- 0.75 X 2.25 X 10.88
13.	802156	Lauan .38 x 13.00 x 15.00
14.	115812	Trim Ring-Dinette Seat
15.	802389-0040	Dinette wall, Forward, Black walnut
	802389-0041	Dinette wall, Forward, Natural elm
16.	969276	Sub-Ass'y - Dinette Seat Outer
17.	969277	Sub-Ass'y - Dinette Seat Inner
18.	969278&003712CC	Pnl-.50X19.75 X 7.88
19.	969278&003812CC	Pnl-Prelam .50X21.38X2.50
20.	116336	Aluminum Water Heater Cover
	381228-02	Catch Grabber Door C3-805 5#
	381607-11	Hinge-Self Close Overlay 110D
	381607-12	Baseplate-Grass 9.5X37/32
	380041	Brace 1" Stanley Corner
	365429-02	Edgebanding 15/16: Blk Walnut
	365426-02	Edgebanding-15/16" Natl Elm
	365429-01	Edgebanding 5/8 Blk Walnut
	365426-01	Edbanding-5/8 Natl Elm
	203440	T Molding-Black Embossed .8125"
	204286	T-molding, Brown, 13/16"
	381775	Drawer Pull-Flush Satin #Ut-105/S

# 2022 GLOBETROTTER FURNITURE, LOUNGE

## Aft Lounge Assembly, 30RB



Parts Listed on Next Page

## 2022 GLOBETROTTER FURNITURE, LOUNGE

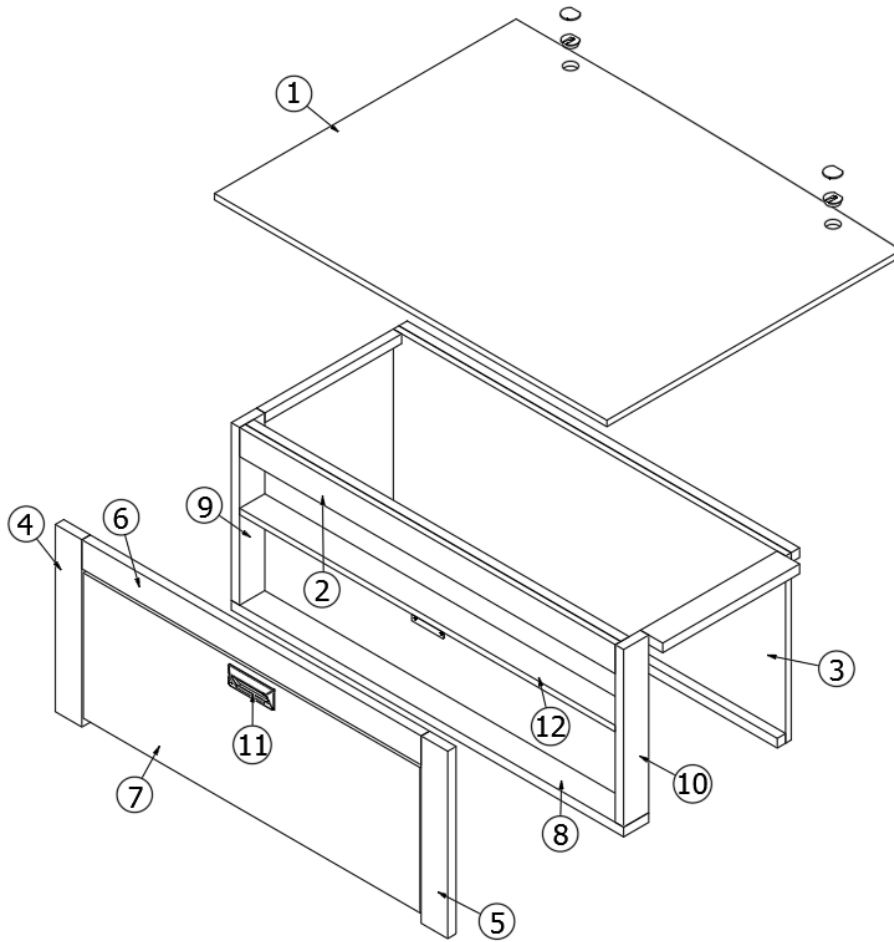
### Aft Lounge Assembly, 30RB

969275                      Ass'y - Lounge Aft

- |     |                 |                                     |
|-----|-----------------|-------------------------------------|
| 1.  | 969275&000112CC | Pre Laminate- 0.50 X 2.25 X 48.25   |
| 2.  | 969275&000312CC | Pre Laminate- 0.50 X 27.00 X 49.75  |
| 3.  | 969275&000412CC | Pre Laminate- 0.50 X 16.75 X 39.63  |
| 4.  | 969275&000518BC | Pre Laminate- 0.75 X 14.50 X 15.88  |
| 5.  | 969275&000618BC | Pre Laminate- 0.75 X 14.50 X 15.13  |
| 6.  | 969275&000718BC | Pre Laminate- 0.75 X 2.25 X 18.75   |
| 7.  | 969275&000818BC | Pre Laminate- 0.75 X 11.38 X 18.50  |
| 8.  | 969275&000918CC | Pre Laminate- 0.75 X 2.25 X 43.13   |
| 9.  | 969275&001018CC | Pre Laminate- 0.75 X 14.50 X 25.50  |
| 10. | 969275&001118CC | Pre Laminate- 0.75 X 2.25 X 39.03   |
| 11. | 969275&001218CC | Pre Laminate- 0.75 X 2.25 X 39.03   |
| 12. | 969275&001318CC | Pre Laminate- 0.75 X 2.25 X 24.88   |
| 13. | 969275&001418CC | Pre Laminate- 0.75 X 14.50 X 25.50  |
| 14. | 969275&001518CC | Pre Laminate- 0.75 X 14.50 X 25.50  |
| 15. | 380203-01       | Piano Hinge 1/8" Pin Clr Anodized   |
| 16. | 381775          | Drawer Pull-Flush Satin #UT-105/S   |
|     | 381072-01       | Hinge-3" X 2" Fixed Pin (Pr)#V518 3 |
|     | 381228-02       | Catch Grabber Door C3-805 5#        |
|     | 382057          | Knockdown 8MM                       |
|     | 382057-04       | Cap-Knockdown Wht #16387            |
|     | 365429-02       | Edgebanding 15/16: Blk Walnut       |
|     | 365426-02       | Edgebanding-15/16" Natl Elm         |
|     | 365429-01       | Edgebanding 5/8 Blk Walnut          |
|     | 365426-01       | Edbanding-5/8 Natl Elm              |

# 2022 GLOBETROTTER FURNITURE, LOUNGE

## Lounge Forward, 30RB



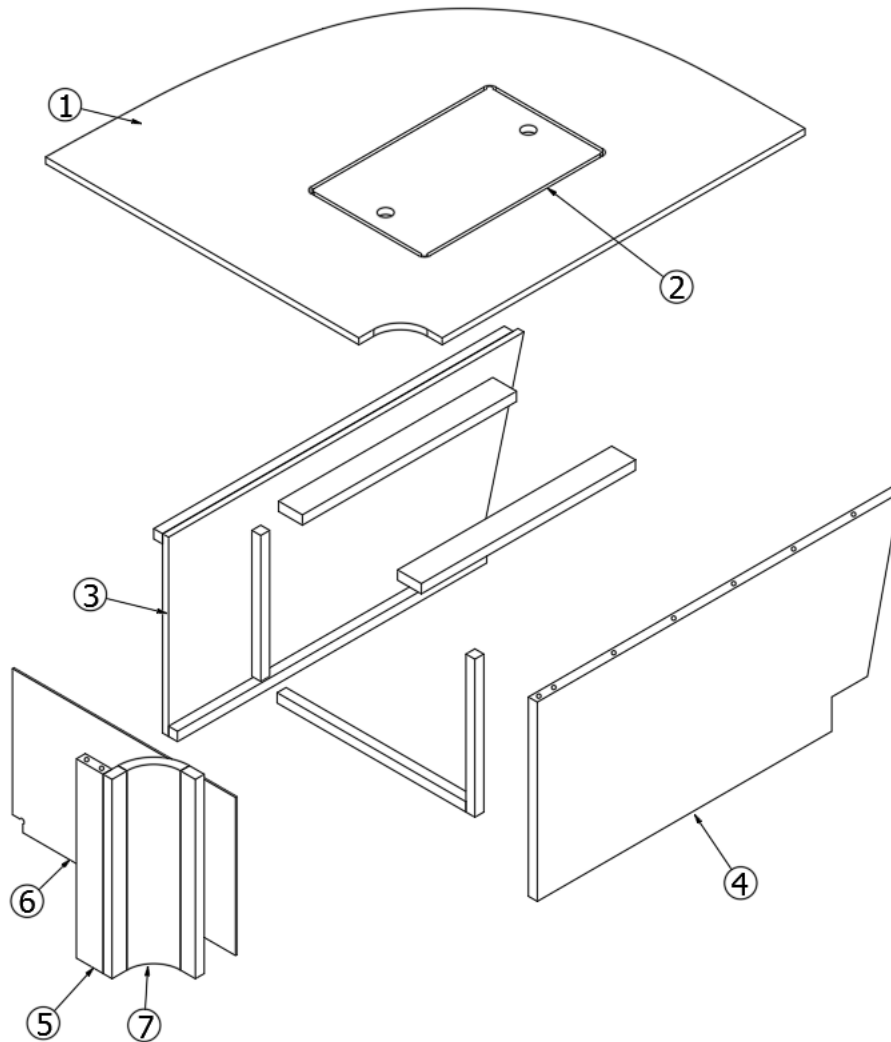
969274

Ass'y - Lounge Fwd

1.	969274&000112CC	Pre Laminate- 0.50 X 27.00 X 35.13
2.	969274&000212CC	Pre Laminate- 0.50 X 2.25 X 33.63
3.	969274&000312CC	Pre Laminate- 0.50 X 14.50 X 35.13
4.	969274&000418BC	Pre Laminate- 0.75 X 14.50 X 2.38
5.	969274&000518BC	Pre Laminate- 0.75 X 14.50 X 2.38
6.	969274&000618BC	Pre Laminate- 0.75 X 2.25 X 30.38
7.	969274&000718BC	Pre Laminate- 0.75 X 11.25 X 30.13
8.	969274&000818CC	Pre Laminate- 0.75 X 2.25 X 35.13
9.	969274&000918CC	Pre Laminate- 0.75 X 13.75 X 2.25
10.	969274&001018CC	Pre Laminate- 0.75 X 13.75 X 2.25
11.	381775	Drawer Pull-Flush Satin #UT-105/S
12.	969274&001612CC	Pre Laminate - 0.50 x 2.25 x 33.63
	381072-01	Hinge-3" X 2" Fixed Pin (PR)#V518 3
	381228-02	Catch Grabber Door C3-805 5#
	382057	Knockdown 8MM
	382057-04	Cap-Knockdown Wht #16387

# 2022 GLOBETROTTER FURNITURE, LOUNGE

## Corner Seat Base Assembly, 30RB



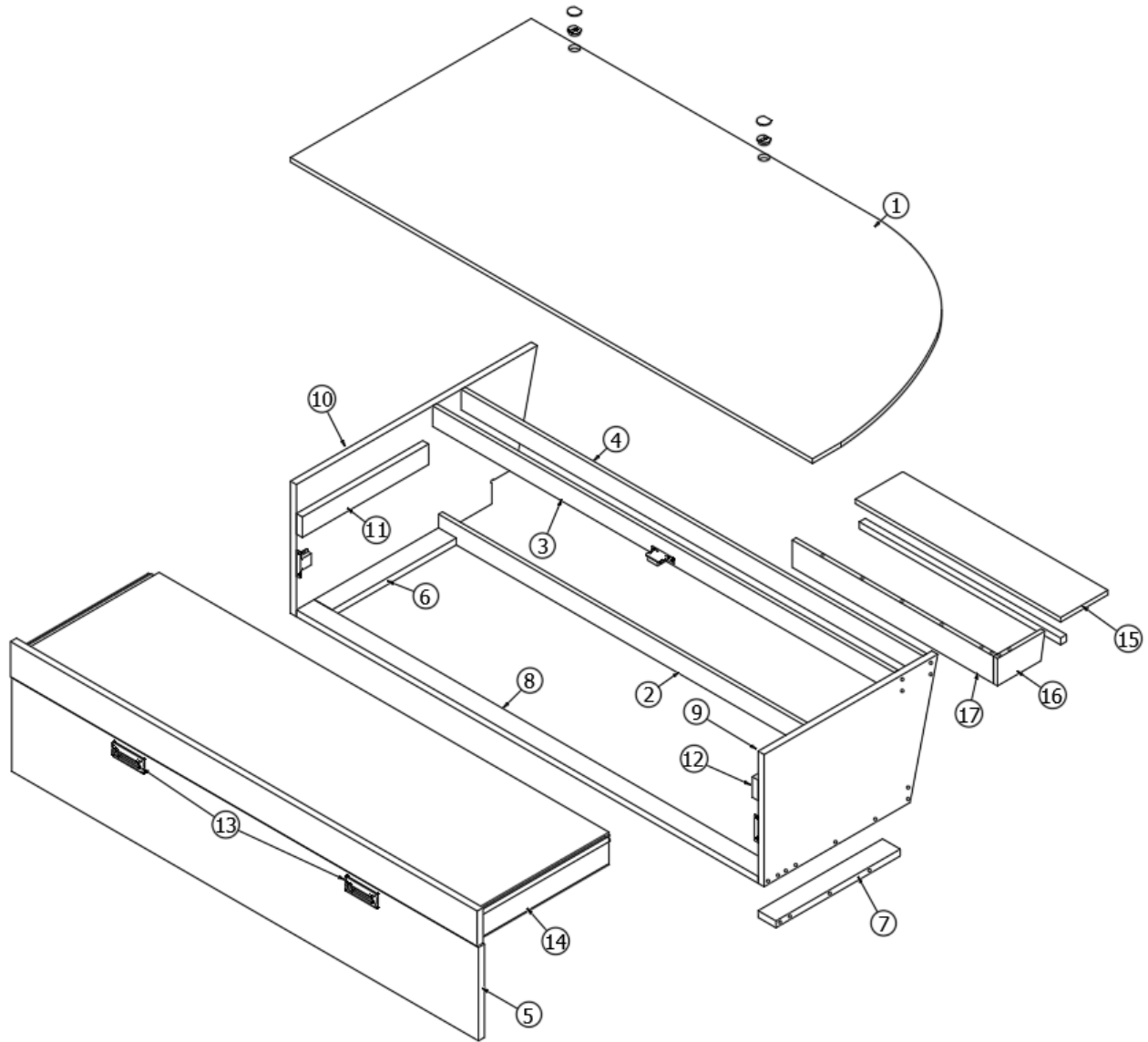
969273

Ass'y - Corner Seat Base

- |    |                 |                                    |
|----|-----------------|------------------------------------|
| 1. | 969273&000112CC | Pre Laminate- 0.50 X 34.00 X 29.84 |
| 2. | 969273&000212CC | Pre Laminate- 0.50 X 9.50 X 15.00  |
| 3. | 969273&000312CC | Pre Laminate- 0.50 X 14.50 X 29.88 |
| 4. | 969273&000418CC | Pre Laminate- 0.75 X 14.50 X 31.48 |
| 5. | 969273&000518CC | Pre Laminate- 0.75 X 14.50 X 2.25  |
| 6. | 969273&000612CE | Pre Laminate- .5 X 11.5 X 18.75    |
| 7. | 969272          | Sub-Ass'y - Corner Seat Base       |
|    | 365429-02       | Edgebanding 15/16: Blk Walnut      |
|    | 365426-02       | Edgebanding-15/16" Natl Elm        |
|    | 365429-01       | Edgebanding 5/8 Blk Walnut         |
|    | 365426-01       | Edbanding-5/8 Natl Elm             |

# 2022 GLOBETROTTER FURNITURE, LOUNGE

## Sofa Endshell Assembly, 30RB



Parts Listed on Next Page

## 2022 GLOBETROTTER FURNITURE, LOUNGE

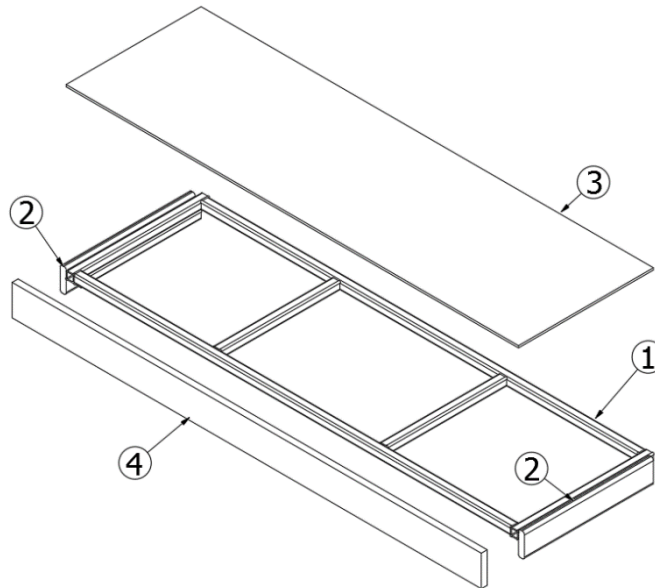
### Sofa Endshell Assembly, 30RB

969271                      Ass'y - Sofa Endshell

- |     |                 |                                   |
|-----|-----------------|-----------------------------------|
| 1.  | 969271&000112CC | Pre Laminate- 0.50 X 66.12 X 3    |
| 2.  | 969271&000218CC | Pre Laminate- .75 X 2.25 X 58     |
| 3.  | 969271&000318CC | Pre Laminate- .75 X 2.25 X 58     |
| 4.  | 969271&000418CC | Pre Laminate- .75 X 2.25 X 58     |
| 5.  | 969271&000618BC | Pre Laminate- 0.75 X 10.25 X 5    |
| 6.  | 969271&000718CC | Pre Laminate- 0.75 X 15.75 X 2    |
| 7.  | 969271&000818CC | Pre Laminate- 0.75 X 15.75 X 2    |
| 8.  | 969271&000918CC | Pre Laminate- 0.75 X 2.25 X 58    |
| 9.  | 969271&001018CC | Pre Laminate- 0.75 X 14.50 X 2    |
| 10. | 969271&001118CC | Pre Laminate- 0.75 X 14.50 X 3    |
| 11. | 969271&001218CC | Pre Laminate- 0.75 X 2.25 X 16    |
| 12. | 969271&001318CC | Pre Laminate- 0.75 X 2.25 X 16    |
| 13. | 381775          | Drawer Pull-Flush Satin #UT-105/S |
| 14. | 966971          | Ass'y Sofa Bed                    |
| 15. | 969271&002412CC | Prelam .50 X 6.00 X 26.00         |
| 16. | 969271&002512CC | Prelam .50 X 3.00 X 6.00          |
| 17. | 969271&002612CC | Prelam .50 X 3.00 X 25.50         |
|     | 365429-02       | Edgebanding 15/16: Blk Walnut     |
|     | 365426-02       | Edgebanding-15/16" Natl Elm       |
|     | 365429-01       | Edgebanding 5/8 Blk Walnut        |
|     | 365426-01       | Edbanding-5/8 Natl Elm            |
|     | 381228          | Catch Grabber Door C3-810         |
|     | 381228-02       | Catch Grabber Door C3-805 5#      |
|     | 382057          | Knockdown 8MM                     |
|     | 382057-04       | Cap-Knockdown Wht #16387          |

# 2022 GLOBETROTTER FURNITURE, LOUNGE

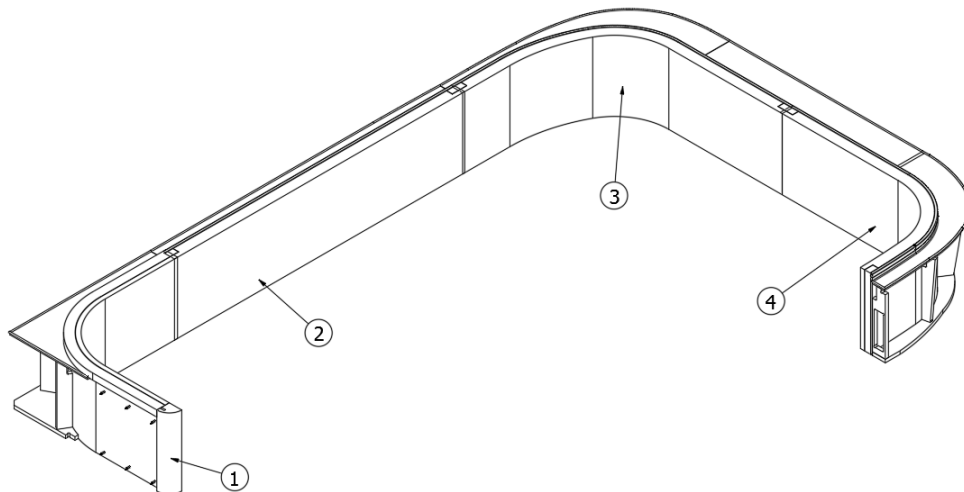
## Sofa Bed Assembly, 30RB



### 966971 Ass'y Sofa Bed

- |    |                 |                                   |
|----|-----------------|-----------------------------------|
| 1. | 915708          | Weldment-Sofa Bed                 |
| 2. | 381826          | Slide-Ball Bearing 16"            |
| 3. | 800507-02       | Lauan, 1/4" X 4' X 8'             |
| 4. | 966971&000218BC | Pre Laminate- 0.75 X 3.88 X 59.13 |

## Seat Backs Install, 30RB

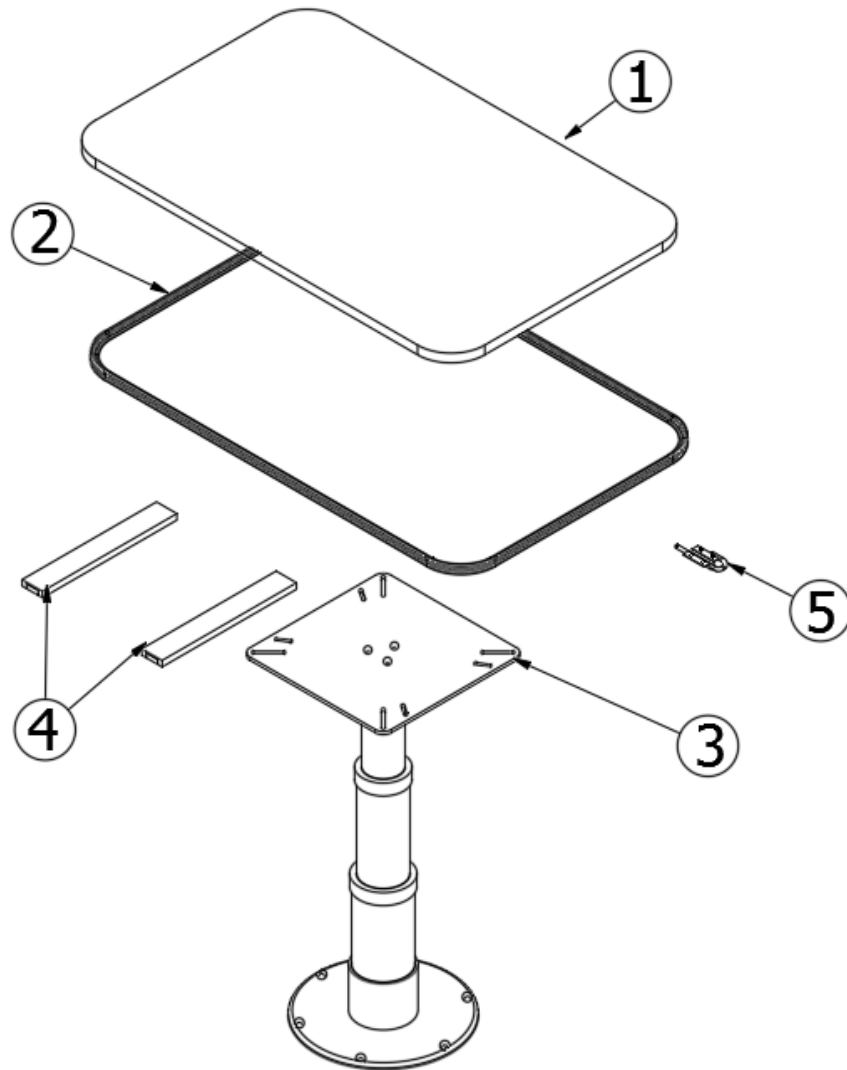


- |    |        |                                      |
|----|--------|--------------------------------------|
| 1. | 969280 | Sub-Ass'y - Radius Seat Back Dinette |
| 2. | 969281 | Sub-Ass'y - Seat Back Wall           |
| 3. | 969282 | Sub-Ass'y - Radius Seat Back Corner  |
| 4. | 969283 | Sub-Ass'y - Radius Seat Back Front   |
|    | 998243 | Vinyl Fabric/Welt Cord               |



# 2022 GLOBETROTTER FURNITURE, LOUNGE

## Dinette Table, 23FB



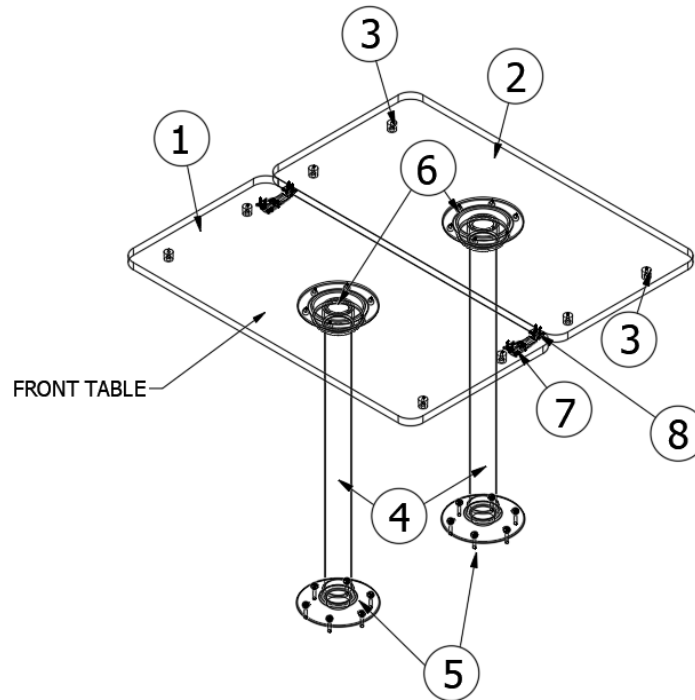
967484-02

Assembly, Sliding Pedestal Table, 23FB

- |    |                 |  |
|----|-----------------|--|
| 1. | 967484&020618PC | Pre Laminate- 0.75 X 34.75 X 21.88         |
| 2. | 365473-02       | Edgeband 15/16 2mm Natural Elm             |
|    | 365472-02       | Edgeband 15/16 2mm Black Walnut            |
| 3. | 382073-01       | Bracket-Pedestal Table                     |
| 4. | 381400-01       | Drawer Slide, 12" Pair                     |
| 5. | 381109-01       | Bunk Latch-W/Flat U Strike Antique English |

# 2022 GLOBETROTTER FURNITURE, LOUNGE

## Dinette Table, 25FB



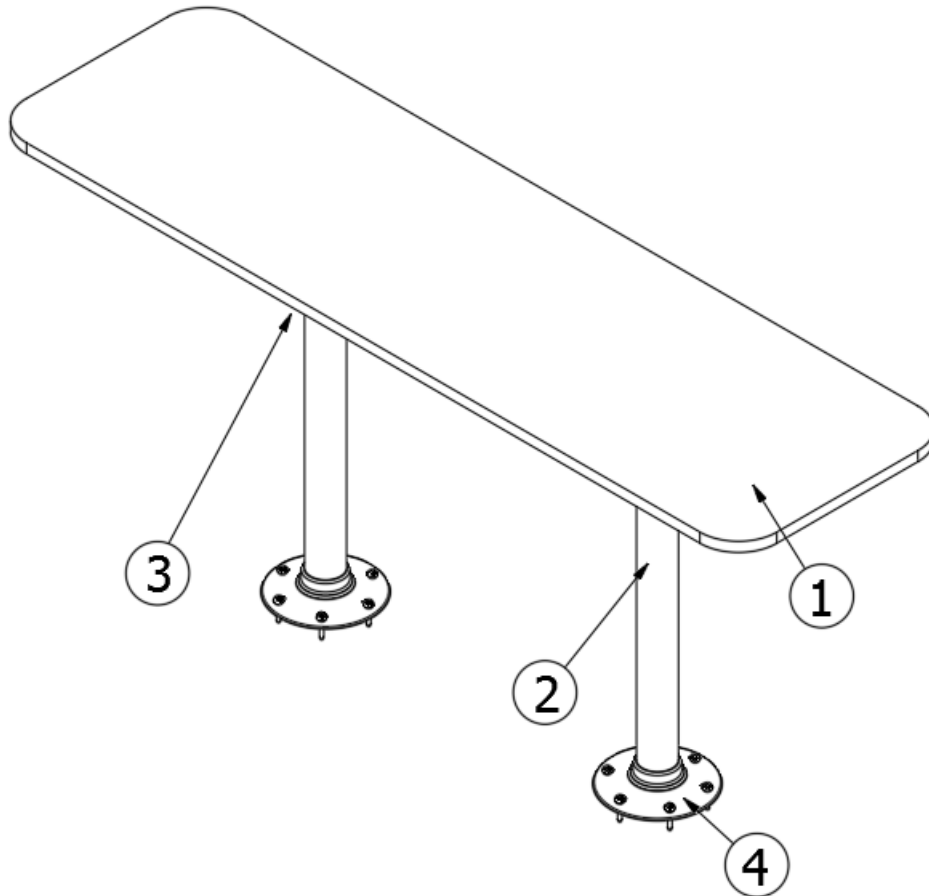
969477-01

Assembly Dinette Table

- |    |                 |                                  |
|----|-----------------|----------------------------------|
| 1. | 969477&000118PC | Pre Laminate .75 x 35.00 x 17.50 |
| 2. | 969477&000218PC | Pre Laminate .75 x 35.00 x 17.50 |
| 3. | 381136          | Rubber Bumper                    |
| 4. | 382722-02       | Leg, Pedestal, 29.88"            |
| 5. | 382723          | Floor base, Pedestal leg         |
| 6. | 382724          | Table base, Pedestal leg         |
| 7. | 382603          | Latch- Interior #91-562-07       |
| 8. | 382603-01       | Keeper-Latch #K4-2338-07         |

# 2022 GLOBETROTTER FURNITURE, LOUNGE

## Dinette Table, 30RB



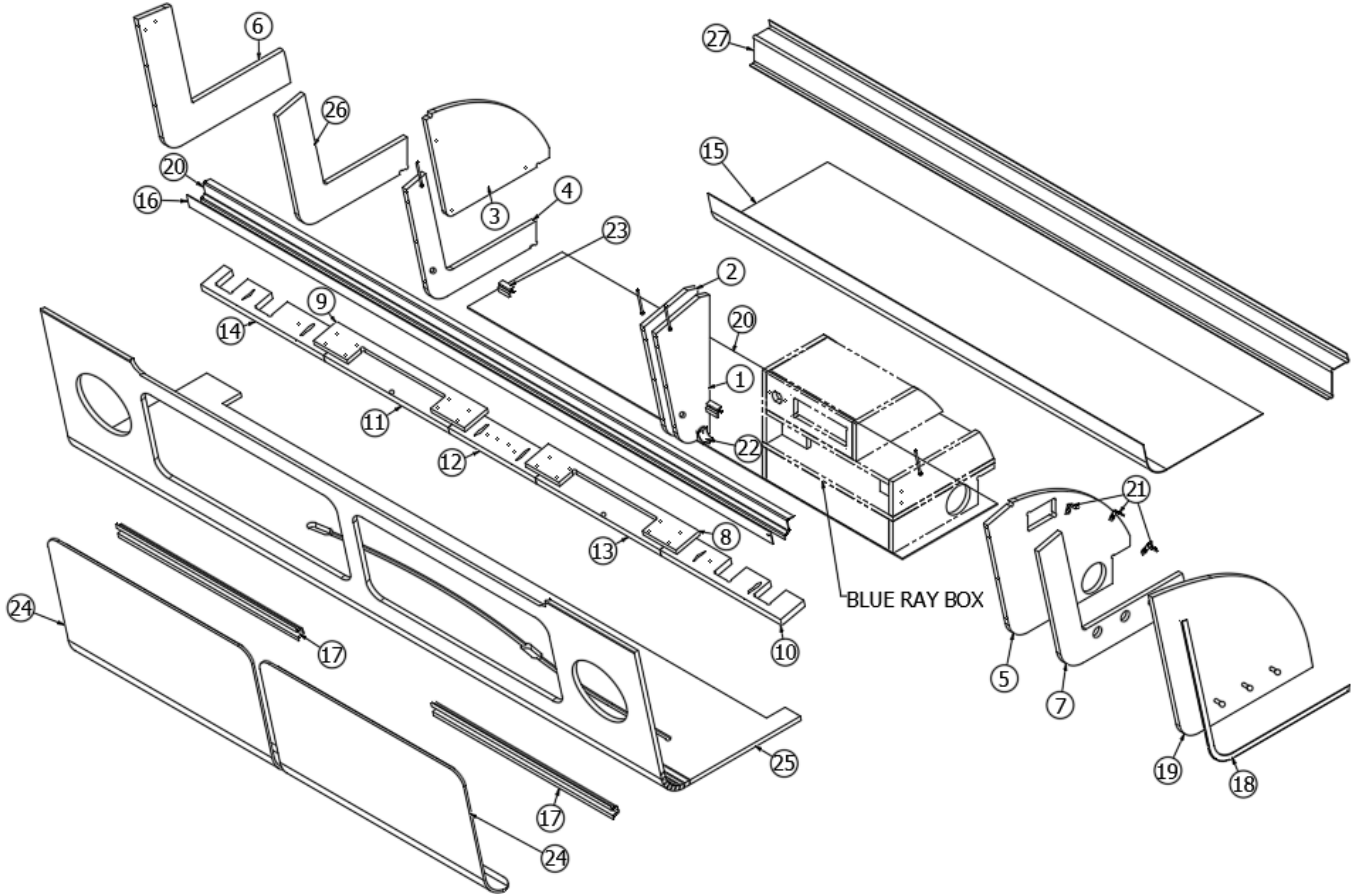
969279

Ass'y - Dinette Table

- |    |                 |                                    |
|----|-----------------|------------------------------------|
| 1. | 969279&000118PC | Pre Laminate- 0.75 X 17.00 X 58.50 |
| 2. | 382722-03       | Leg, Pedestal, 27.88"              |
|    | 382722-04       | Leg, Pedestal, 14.25"              |
| 3. | 382724          | Table base, Pedestal leg           |
| 4. | 382723          | Floor base, Pedestal leg           |

# 2022 GLOBETROTTER FURNITURE, LOUNGE

## Roof Locker, Lounge Roof Locker, 23FB



Parts Listed on Next Page

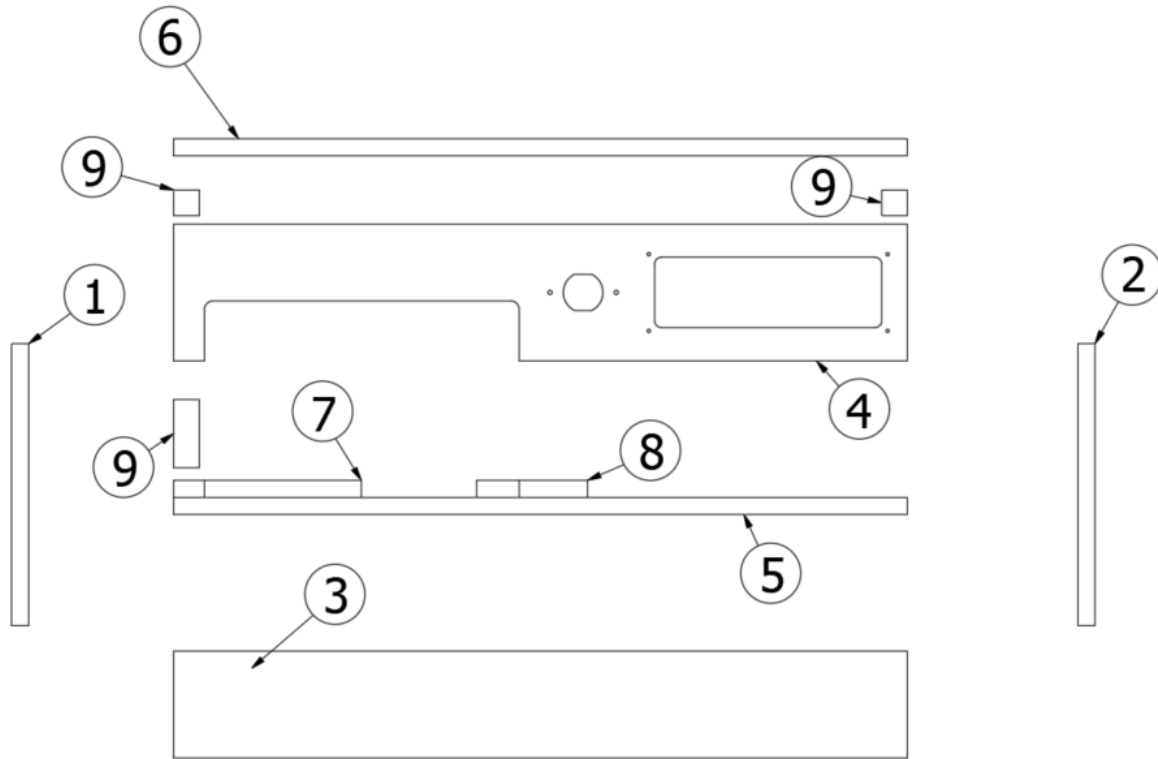
## 2022 GLOBETROTTER FURNITURE, LOUNGE

### Roof Locker, Lounge Roof Locker, 23FB

969019	Assembly - Lounge Roof Locker
1. 969019&000112CC	Panel, 6.79 X 15.44
2. 969019&000212CC	Panel, 6.79 X 15.44
3. 969019&000312CC	Panel, 15.53 X 12.50
4. 969019&000412CC	Panel, 16.408 X 14.75
5. 969019&000512CC	Panel, 18.02 x 15.17
6. 969019&000712CC	Panel, 19.33 X 16.56
7. 969019&000812CC	Panel, 18.70 X 15.59
8. 969019&000912CC	Pre Laminate- 0.50 X 3.00 X 19.06
9. 969019&001012CC	Pre Laminate- 0.50 X 3.00 X 19.06
10. 969019&001118CC	Panel, 3.00 X 15.25
11. 969019&001218CC	Panel, 3.00 X 15.25
12. 969019&001318CC	Panel, 3.00 X 15.25
13. 969019&001418CC	Panel, 3.00 X 15.75
14. 969019&001518CC	Panel, 3.00 X 15.50
15. 969019&001601CE	Panel, 17.82 X 56.00
16. 969019&001703CE	Panel, 1.50 X 73.75
17. 101401	Extrusion, Door Latch Housing/Stoneguard
18. 116396-01	Trim, Locker end
19. 802251	Galley End Cap
20. 116084	Lounge R/L Front .060 Aluminum
21. 380041	Brace 1" Stanley Corner
22. 385963	Bracket Mounting Angle Lambrequin
23. 513259	Switch- 12VDC Magnetic #AP-SWI-105
24. 802356-0040	Door-Curved Overhead Black Walnut
802356-0041	Door-Curved Overhead Natural Elm
25. 802411	Lounge Locker Face
26. 802411-02	Divider, Partial
27. 116117	Closeout, Blind Formed Locker 23FBGLO
701538-01	Carpet-Econolier W/PSA Back
969557-01	Ass'y Blueray Shelf
381607-12	Baseplate-Grass 9.5X37/32
381607-14	Hinge Nickel Plated Self Closing
381688	Bumpon
382525-04	Gas Spring SS 10#
382525-01	Bracket-Ball Stud Mounting
382525-02	Bracket-90 Deg Mounting
998241-02	Leatherette Fabric/Weld Cord 68"
998241-04	Vinyl Fabric/Welt Cord Assembly 34.5"
513297-19	Kit-Luna Light & Track 1'7"
513332-40	Kit-Luna Light & 45" Alum Track G27
513333-60	Kit-Luna Light & Plastic Track G27

# 2022 GLOBETROTTER FURNITURE, LOUNGE

## Blu-Ray Shelf

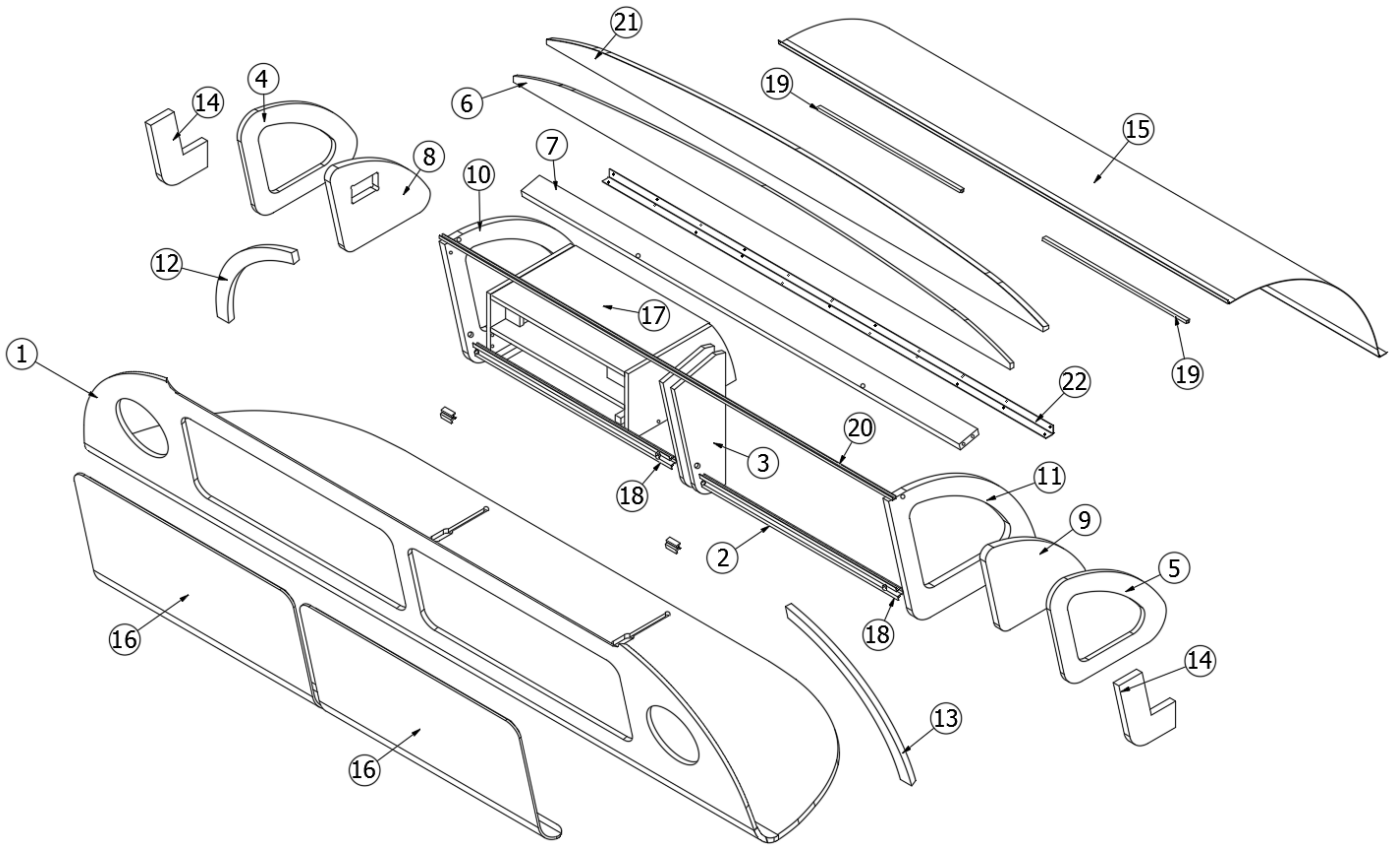


- 969557-01      Ass'y Blueray Shelf, 23FB
- 969557-02      Ass'y Blueray Shelf, 25FB, 27FB
- 969557-03      Ass'y Blueray Shelf, 30FB

- |    |   |   |
|----|---|---|
| 1. | 969557&000112CC<br>969557&000312CC<br>969557&001312CC | Pre Laminate .50X8.25X13.75, 23FB<br>Pre Laminate.50X8.25X13.75, 25FB, 27FB<br>Pre Laminate.50X8.25X13.75, 30RB |
| 2. | 969557&000212CC<br>969557&000412CC                    | Pre Laminate.50X8.25X13.75, 23FB, 25FB, 27FB<br>Pre Laminate.50X8.25X13.75, 30RB                                |
| 3. | 969557&000512CC                                       | Pre Laminate.50X3.13X21.50  |
| 4. | 969557&000612CC                                       | Pre Laminate.50X4.00X21.50  |
| 5. | 969557&000712CC                                       | Pre Laminate.50X13.06X21.50   |
| 6. | 969557&000812CC                                       | Pre Laminate.50X11.00X21.50   |
| 7. | 969557&000912CC                                       | Pre Laminate 50X7.50X5.50   |
| 8. | 969557&001112CC                                       | Pre Laminate.50X3.25X7.50   |
| 9. | 800025-01<br>365386-01<br>701538-01                   | Pine 3/4" X 3/4" Stained<br>Edgebanding, Linen, 5/8"<br>Carpet-Econolier W/PSA Back                             |

# 2022 GLOBETROTTER FURNITURE, LOUNGE

Roof Locker, Rear Endliner, 25FB, 27FB, 30RB



Parts Listed on Next Page

## 2022 GLOBETROTTER FURNITURE, LOUNGE

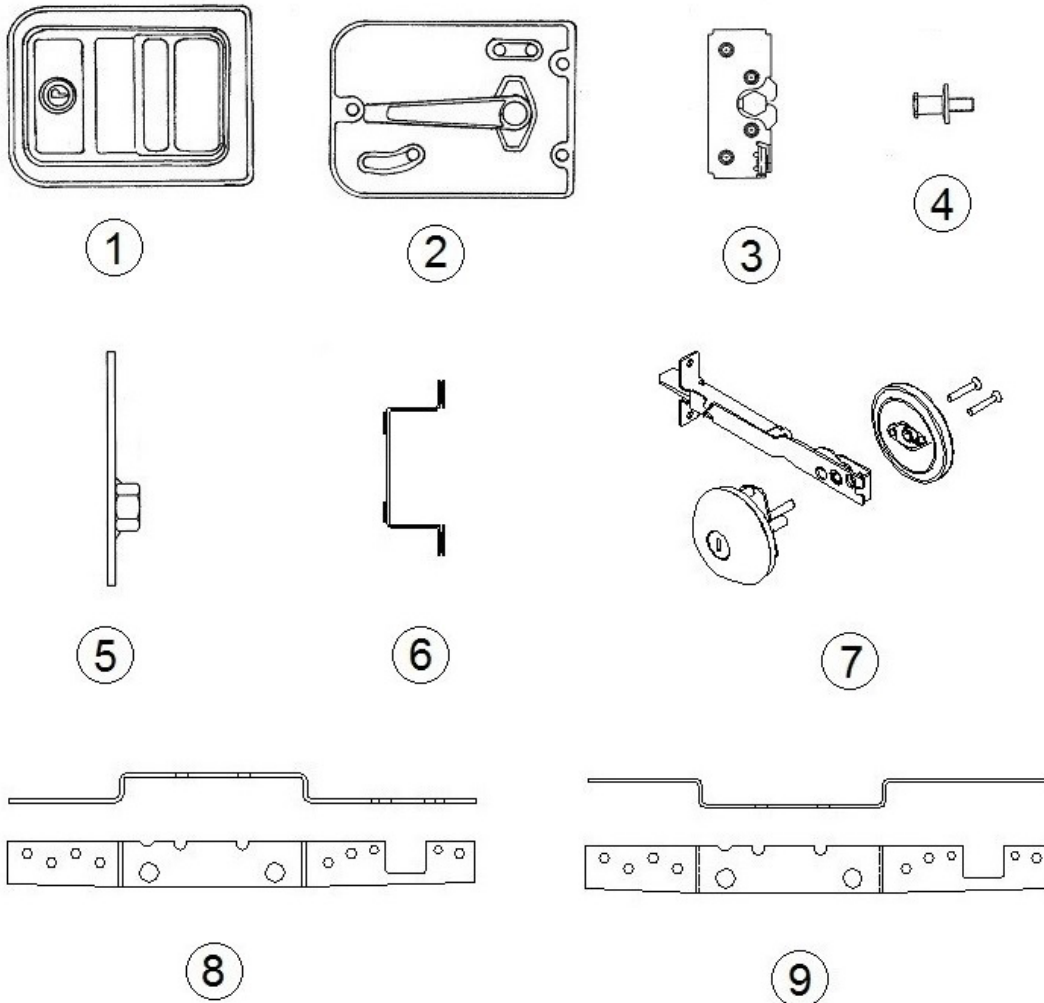
### Roof Locker, Rear Endliner, 25FB, 27FB, 30RB

968918	Assembly, Rear Endliner
968918-01	Ass'y - Endliner With Radio, 30RB
1. 802374	Rear Endliner Face
2. 968918&000212CC	6.79 X 15.44
3. 968918&000312CC	6.79 X 15.44
4. 968918&000412CC	12.60 X 15.37
5. 968918&000512CC	12.60 X 15.37
6. 968918&000612GE	4.55 x 65.75
7. 968918&000718CC	2.50 X 58.00
8. 968918&000818CC	10.78 X 14.53
9. 968918&000918CC	10.78 X 14.53
10. 968918&001018CC	16.00 X 19.94
11. 968918&001118CC	16.00 X 19.94
12. 968918&001218CC	Pre laminate, .75 x 13.25 x 16.02"
13. 968918&001318CC	Pre laminate, .75 x 13.25 x 16.02"
14. 968918&001418CC	Pre laminate, .75 x 13.25 x 16.02"
15. 115264-07	Pan-Liner Locker W/B Front
16. 802245-0040	Curved door, Black Walnut
802245-0041	Curved door, Natural Elm
17. 969557-02	Ass'y Blueray Shelf, 25FB, 27FB
969557-03	Ass'y Blueray Shelf, 30RB
18. 101401	Extrusion, Door Latch Housing
19. 513297-19	Kit, Luna light and track, 19"
20. 513333-60	Kit, Luna light and plastic track
21. 801351	Lite Ply-18MM (.75") 4'X 8'
22. 115958	Bracket-1.00 X 1.00 X .06 Header
381607-14	Hinge, Self-close
382525-01	Ball stud mounting bracket
382525-02	Mounting bracket, 90°
382525-04	Black carbon steel gas spring, 10 LB
381688	Bumpon
998241-01	Leatherette/Fabric /Welt Cord Assembly 230"
998241-03	Leatherette Fabric/Welt CORD 62"
365386-01	Edgebanding, Linen, 5/8"
203445	T-Molding Blk Flexible Poly .56"
513259	Switch- 12VDC Magnetic
968918&002501CE	Laminate, 21.00 X 62.25



# 2022 GLOBETROTTER HARDWARE

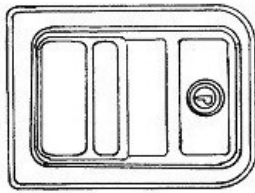
## Main Door Lock, Right Hand Hinge



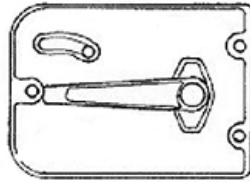
- |              |  |
|--------------|--|
| 1. 381547-09 | Main door lock, Outside housing              |
| 2. 381547-11 | Main door lock, Inside plate                 |
| 3. 381547-10 | Double rotary latch, Main door lock          |
| 4. 381547-04 | Striker bolt w/washer, Main door lock        |
| 5. 381550    | Plate, Striker bolt                          |
| 6. 115413    | Door hat section                             |
| 7. 382069    | Deadbolt, Round, Trimark                     |
| 8. 382067    | Outer reinforcement plate, RH/LH hinged door |
| 9. 382068    | Inner reinforcement plate, RH hinged door    |
| 382069-100   | Deadbolt key, Blank                          |
| 381547-102   | Main door key, Blank                         |
| 381547-08    | Screw package, Main door lock                |
| 385595       | Pocket strike                                |
| 382122       | Key chain, Airstream logo                    |

# 2022 GLOBETROTTER HARDWARE

## Main Door Lock, Left Hand Hinge, 30RB



1



2



3



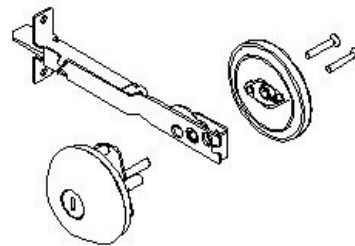
4



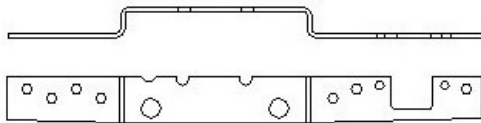
5



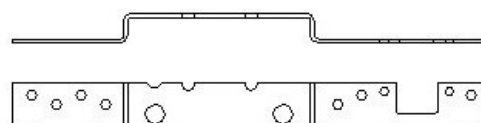
6



7



8

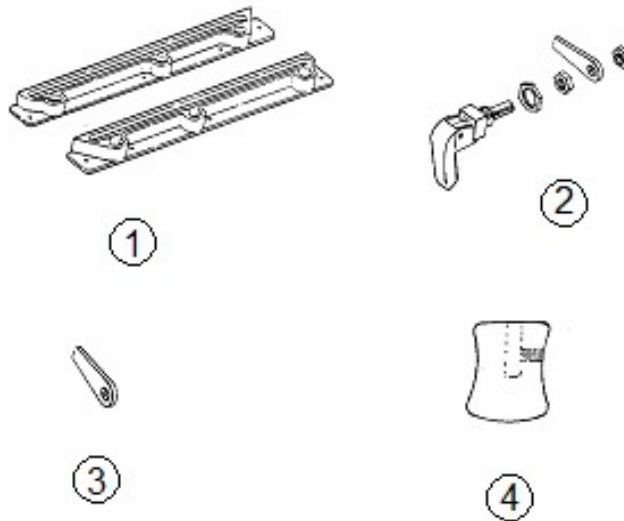


9

- |              |  |
|--------------|--|
| 1. 381547-01 | Main door lock, Outside housing              |
| 2. 381547-07 | Main door lock, Inside plate                 |
| 3. 381547-03 | Double rotary latch, Main door               |
| 4. 381547-04 | Striker bolt w/washer, Main door lock        |
| 5. 381550    | Plate, Striker bolt mounting                 |
| 6. 115413    | Door hat section                             |
| 7. 382069    | Deadbolt, Round, Trimark                     |
| 8. 382067    | Outer reinforcement plate, RH/LH hinged door |
| 9. 382066    | Inner reinforcement plate, LH hinged door    |
| 382069-100   | Deadbolt key, Blank                          |
| 381547-102   | Main door key, Blank                         |
| 381547-08    | Screw package, Main door lock                |
| 385595       | Pocket strike                                |
| 382122       | Key chain, Airstream logo                    |

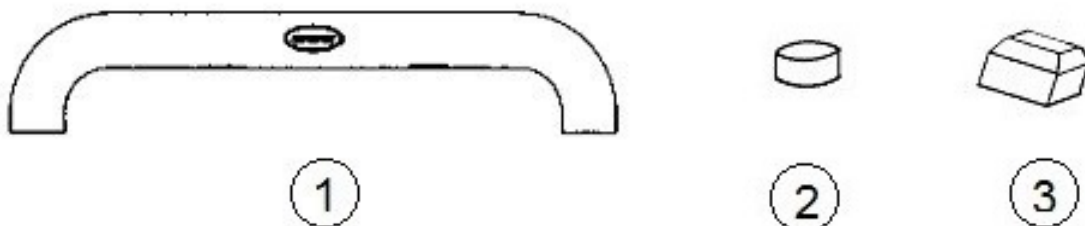
# 2022 GLOBETROTTER HARDWARE

## Window Hardware



- |              |                                 |
|--------------|---------------------------------|
| 1. 382360    | Window guide, RH                |
| 382359       | Window guide, LH                |
| 2. 382367-01 | Lower window latch, Chrome      |
| 382367-02    | Latch, Emergency egress, Red    |
| 3. 115776    | Lock paw, Window latch assembly |
| 4. 380230-03 | Knob, Window arm, Silver        |
| 380230-04    | Knob, Window arm, Red           |
| 114476       | Hinge, Window, 110"             |
| 114479-01    | Bracket, Window closer, RH      |
| 114479-02    | Bracket, Window closer, LH      |

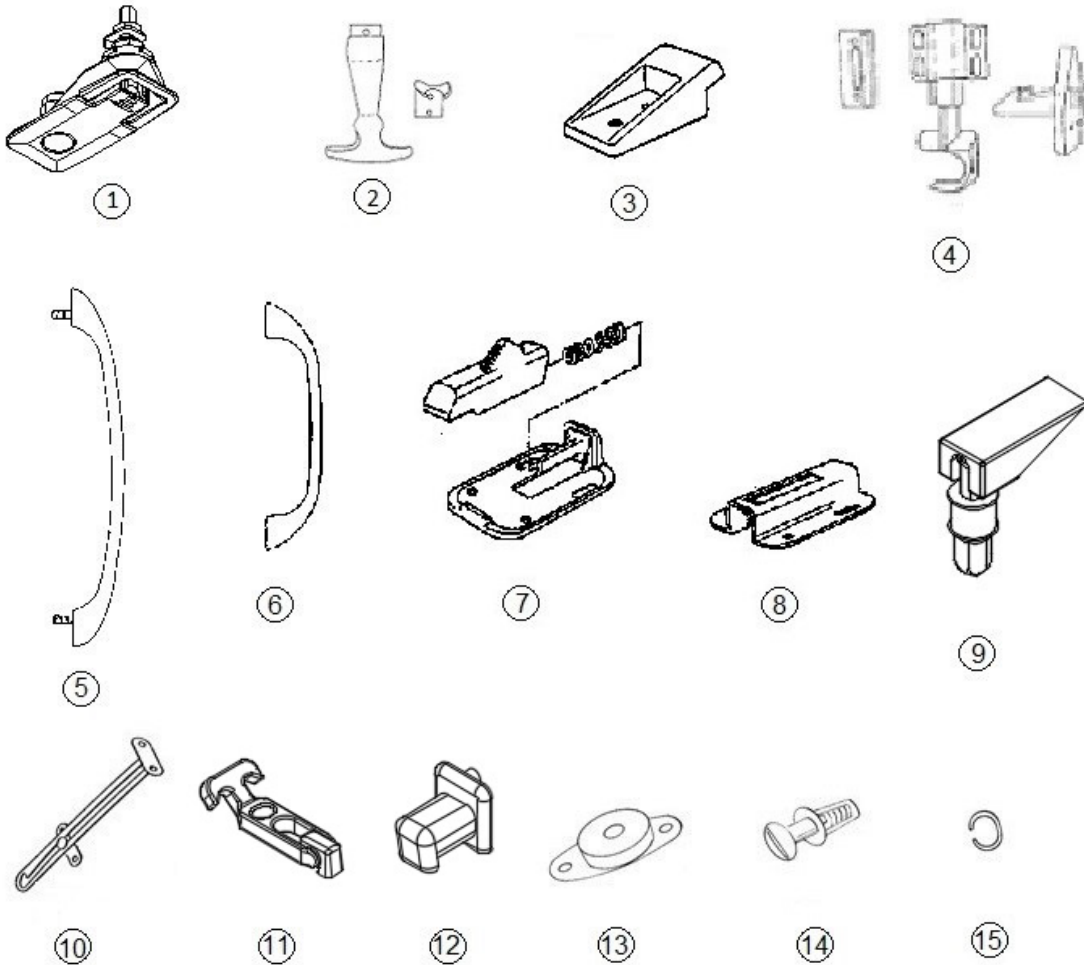
## Head knocker and Rubber Bumpers



- |              |                              |
|--------------|------------------------------|
| 1. 382194    | Head knocker, White          |
| 2. 360012-01 | Rubber bumper, Brown         |
| 3. 360016    | Rubber bump-on, Square, Gray |
| 381610-04    | Cover cap, Plastic, Black    |

# 2022 GLOBETROTTER HARDWARE

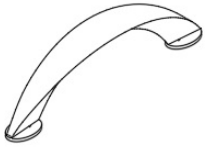
## Exterior Latches, Locks, and Handles



- |               |  |
|---------------|--|
| 1. 382230-02  | Compression latch w/key code               |
| 2. 381021-01  | Rubber T-handle                            |
| 3. 201056     | Catch, main door hold-back                 |
| 4. 381454     | Latch, Screen door, Bullet                 |
| 5. 101171     | Grab handle                                |
| 6. 380004     | Handle, Screen door                        |
| 7. 380291     | Main door hold-back                        |
| 8. 380290     | Latch housing                              |
| 9. 382456     | Swell latch                                |
| 10. 380024    | Support arm, Bumper lid                    |
| 11. 382562    | Latch, Rubber                              |
| 12. 382562-01 | Keeper, Rubber latch                       |
| 13. 685359    | Rubber receptacle, 1/4 turn latch, Southco |
| 14. 685358    | Stud, 1/4 turn latch, Southco              |
| 15. 685362    | Retaining ring, 1/4 turn stud              |
| 382074        | Gasket, Main door grab handle              |

## 2022 GLOBETROTTER HARDWARE

### Interior Latches and Handles



1



2



3



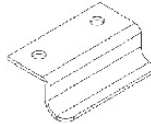
4



5



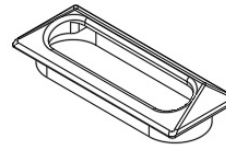
6



7



8



9

- |  |   |
|--|---|
| <ul style="list-style-type: none"> <li>1. 382522</li> <li>2. 382521</li> <li>3. 382159</li> <li>4. 381737-02</li> <li>5. 381228</li> <li style="padding-left: 20px;">381228-02</li> <li>6. 382030</li> <li>7. 385940-02</li> <li>8. 382523</li> <li>9. 381775</li> </ul> | <ul style="list-style-type: none"> <li>Pull, New Haven</li> <li>Handle, Tab pull, Chrome</li> <li>Pivot hinge, Nickel</li> <li>Grab bar, Interior, Black</li> <li>Catch, grabber door, 10lb</li> <li>Catch, grabber door, 5LB</li> <li>Pull, Recessed finger</li> <li>Mirror pull, Chrome</li> <li>Kit, Bath door latch</li> <li>Drawer Pull-Flush Satin #UT-105/S</li> </ul> |
|--|---|

### Interior Hinges

- |   |   |
|---|---|
| <ul style="list-style-type: none"> <li>382159</li> <li>380203-01</li> <li>380203-02</li> <li>380988</li> <li>381072-01</li> <li>381607-11</li> <li>381607-14</li> </ul> | <ul style="list-style-type: none"> <li>Pivot hinge, Nickel</li> <li>Piano hinge</li> <li>Piano hinge, Black</li> <li>Hinge, Continuous</li> <li>Hinge, fixed pin, Sofa endshell, 3" x 2"</li> <li>Hinge, Self-close, 110° overlay</li> <li>Hinge, Self-close</li> </ul> |
|---|---|

# 2022 GLOBETROTTER HARDWARE

## Exterior Hinges

381552-01	Hinge, Main door, Lower, MH
381552-02	Hinge, Main door, Upper, MH
381552-03	Hinge, Main door, Upper, TR
381552-04	Hinge, Main door, Lower, TR
381531-01	Hinge, Screen door, Upper
381531-02	Hinge, Screen door, Lower
382638-1	Hinge, Compartment door, small
382638-2	Hinge, Compartment door, Large
380203-01	Piano hinge, 1/8" Pin, Battery box lid
380203-02	Piano hinge, Hose carrier lid, 72", Black
380988	Hinge, Continuous, Refrigerator access door

## Bathroom Accessories

382532	Towel bar, Chrome, 18"
382533	Towel ring, Chrome
381299	Recessed toilet paper holder
380034	Toilet paper holder, Chrome
601829	Trim kit, Shower, Chateau, Chrome
601358	Shower hardware, Chrome
371423-02	Mirror-Wall Mt 8" Chrome
371423-01	Retainer Clip- Mirror 1.88"

## Clothesline

382063	Retractable clothes line
--------	--------------------------

## Bed Gas Springs

381067-09	Spring, Gas 90 LBS
382463	Bracket, Upper
382462	Bracket, Lower
381084	Ball, Stud

## Gas Struts

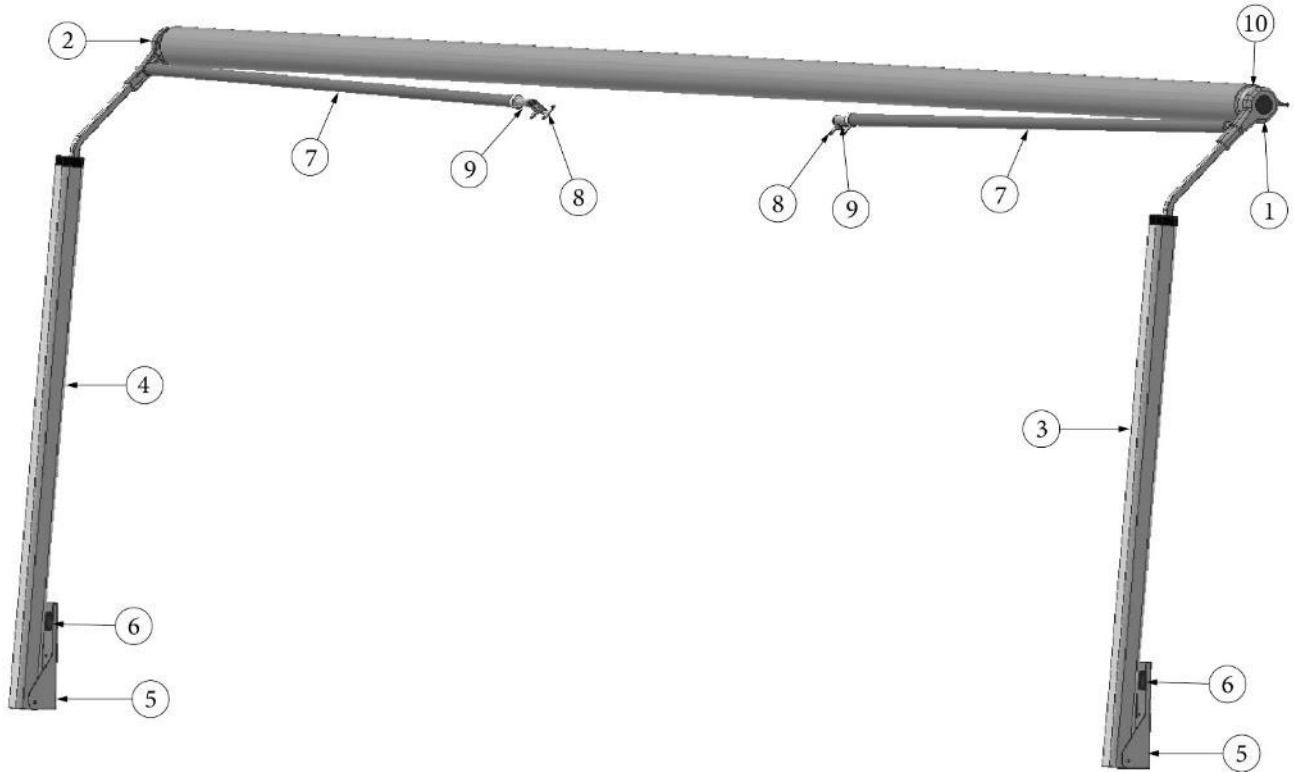
382525-01	Ball stud mounting bracket
382525-02	Mounting bracket, 90°
382525-04	Black carbon steel gas spring, 10 LB

## Hooks

382541	Hook, Polished Chrome
--------	-----------------------

# 2022 GLOBETROTTER HARDWARE

## Awning Hardware, Power Awning



704825-01

Awning Hardware Kit

- |     |             |                                  |
|-----|-------------|----------------------------------|
| 1.  | 704049-111  | Head casting, Front              |
| 2.  | 704049-110  | Head casting, Rear               |
| 3.  | 704049-100  | Arm assembly, Front              |
| 4.  | 704049-101  | Arm assembly, Rear               |
| 5.  | 704049-102  | Hinge assembly                   |
| 6.  | 704049-115  | Tubus Bumper, 6mm mount hole     |
| 7.  | 704049-108  | Gas rafter assembly              |
| 8.  | 704049-108B | Bracket, New style               |
| 9.  | 704049-114  | Universal joint                  |
| 10. | 704049-106  | Motor assembly, w/Drive adapter  |
|     | 704049-119  | Control board, Wired w/enclosure |
|     | 704049-109  | Control board only, Wired        |
|     | 704049-116  | Spring change                    |
|     | 704049-112  | Emergency kit, Power awning      |
|     | 704049-113  | Hex head tool                    |
|     | 512649-02   | Ethernet patch cable, Cat5e, 2'  |

## 2022 GLOBETROTTER HARDWARE

### Awning Hardware, Other

73376W	Travel latch, Window awning
73376W-100	Loop only, Travel latch
74041W-01	Pull rod, 52"
74095W	Head casting, Window awning
74097W	Support arm, Window awning
74105W	Strap hook, Window
74108W	Spring, Window awning, 2-1/4"
74109W	Spring, Window awning, 2-1/2"
74094W	Idle end assembly
74055W	Base hinge, Triangular
74055W-01	Base hinge, Rectangular
74001W-02	Awning Tube, 2-1/2"
74001W-03	Awning Tube, 2-1/4"



## 2022 GLOBETROTTER HARDWARE

### Rivets

325000-01	Rivet, 1/8 x 1/4, Anodized Clear
325001-01	Rivet, 1/8 x 5/16, Anodized Clear
325002-01	Rivet, 1/8 x 3/8, Anodized Clear
325002-03	Rivet, 1/8 x 3/8, Polar White
325003-03	Rivet, 1/8 x 7/16, Polar White
325004-01	Rivet, 1/8 x 1/2, Anodized Clear
325103-01	Rivet, Pop, 3/16, Anodized Clear
330155	Rivet, .125, Aluminum w/Stainless Steel mandrel
330127-03	Rivet, 1/8, AD43ABS
330127-05	Rivet, 1/8, AD45ABS
330127-08	Rivet, 1/8, AD48ABS
330126-02	Rivet, Pop, SSD43SSBS
330126-03	Rivet, Pop, SSD44SSBS
330126-04	Rivet, Pop, SSD45SSBS

### Screws

345582	Screw, M4 x 14, PH, SS, TV bracket
345468-01	Screw, #12 x .625, PH, Black, TV bracket
345558	Screw, #8-32 x .5, PH, Black, Windows
345473	Screw, #6 x .75, Self-drilling, Taillights
345073-08	Screw, .25-20 x 1.375, Phil, Wafer HD, Floor

# 2022 GLOBETROTTER SAFETY EQUIPMENT

## Detectors and Fire Extinguisher

510781	Smoke detector
513796	Detector-LP-CO2
690381-02	Fire extinguisher
690381-100	Strap, For bracket
320116-03	Fire extinguisher mount screws

## 2022 GLOBETROTTER LABELS AND TAGS

### Labels and Tags, USA

386119	Label, "Don't Use Area for Storage"
386118	Label, LP Gas Warning/Fill
385521	Label, Emergency Egress Window
386122	Warning Label, Cooking Appliance
385465	Exit Label, English
385560	Label, Air Conditioner Rating
386120	Label, Smoke Detector
385359	Label, Microwave or Air Conditioner
385837	Label, Refrigerator Ignition
386012	Label Warning, Water Heater
386123	Label "Potable Water Only"
386114	Label, Rvia Silver
385062	Decal, 110-125 Voltage AC
386019	Label, 1 Amp Fuse Max
385101	Tag, Aux Tank Dump Valve Handle
385099	Tag, Main Tank Dump Valve Handle
386192	Hang, Tag, Smoke/Co Detector Battery
386193	Label, Wheel Torque Warning
385020	Sticker, Self-Adhering, "Jack"
386098	Label, Fuse, 12V.
386226	Label, RV Master Weight Label
386110	Label, Ok To Ship Inspected
386121	Label, "If You Smell Gas"
386267-01	Front Label, Power Awning Cable
386267-02	Rear Label, Power Awning Cable
386284	Warning label, "Do not use a dolly wheel"
386301	Warning label, Window Glass
386302	Label, Cooktop
386303	Warning label, Surface Cleaning
365477	Decal - Black Tank Flush
365478	Decal-City Water Inlet
385941	Label, Waste water holding tank
385942	Label, Sewage holding tank
385943	Label, Cap must be in place

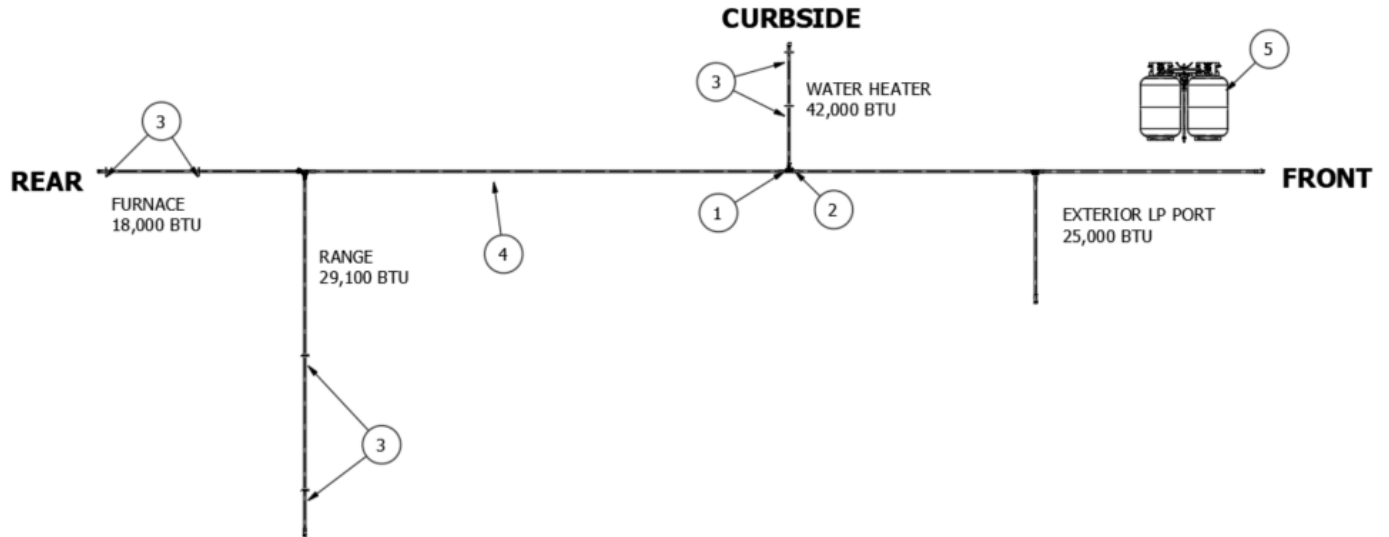
# 2022 GLOBETROTTER LABELS AND TAGS

## Labels and Tags, CSA

385949	Label, "Potable Water"
385950	Label, "Smoke Detector"
385951	Label, "Range Fresh Air"
385952	Label, "LP Warning"
385953	Label, "If You Smell Gas"
385954	Label, "Range Warning"
386105	Label, TV/VCR Receptacle
385971	Label, Fuse, Exterior Light
386120	Label, Smoke Alarm Warning
386118	Label, LP Gas Tri-warning
386121	Label, "If You Smell Gas"
386122	Label, "Comfort Heating"
365477	Decal - Black Tank Flush
365478	Decal-City Water Inlet

# 2022 GLOBETROTTER PLUMBING, LPG SYSTEM

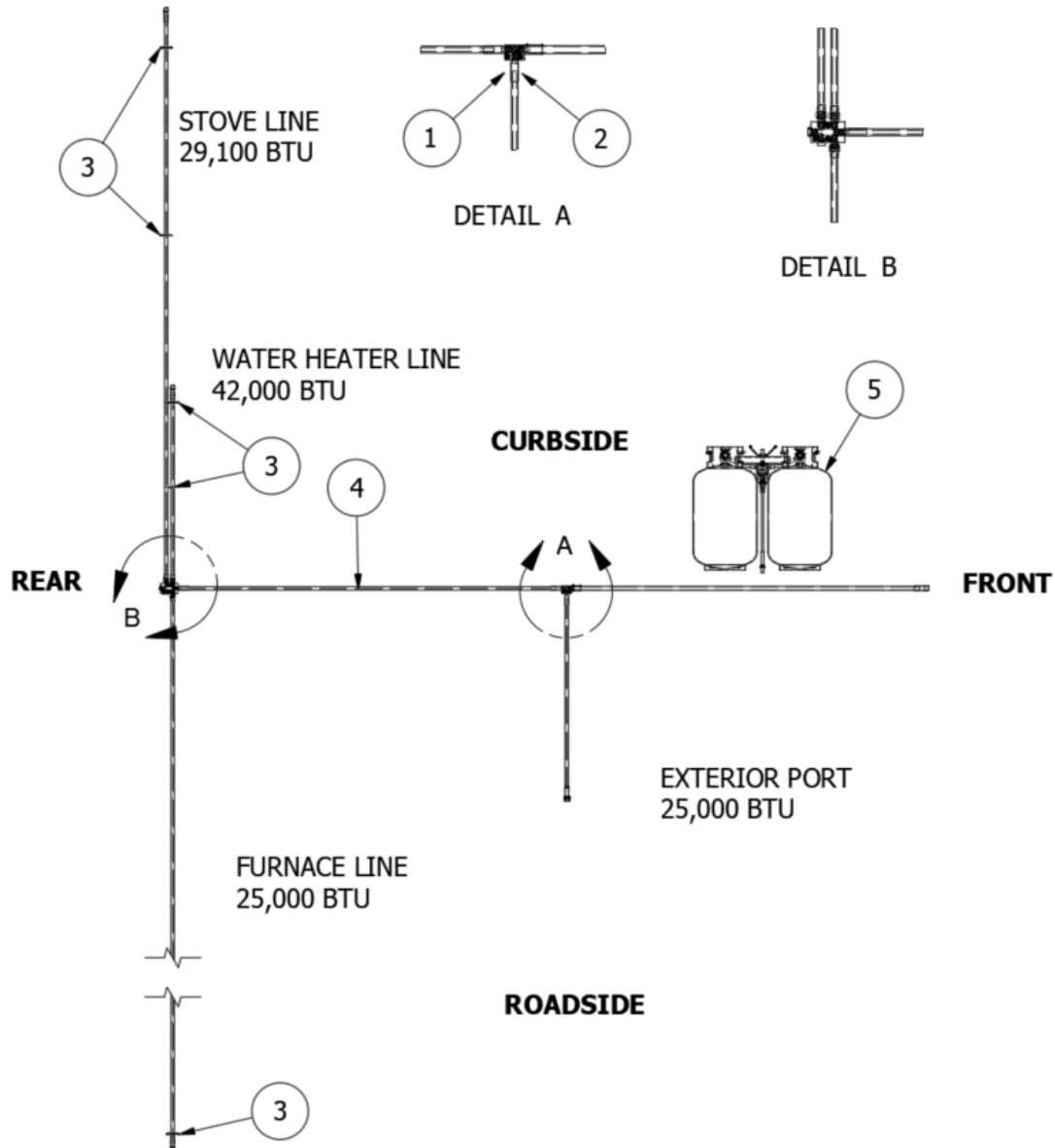
## LPG System, 23FB



- |   |  |
|---|--|
| <ul style="list-style-type: none"> <li>1. 345181</li> <li>2. 381332-16</li> <li>3. 382556</li> <li>4. 943987</li> <li>5. 601710-01</li> </ul> | <ul style="list-style-type: none"> <li>Screw- 1/4-14 X 2" Self Tapping</li> <li>Washer Star 1/4IN</li> <li>Closeout- 2.38"D LP Assembly</li> <li>Lp Flexline Hose 23FB GLO</li> <li>Cylinder 30# Steel LP A/S TT</li> <li>Grommet-Flexible Vinyl #635</li> <li>Cover-LP Bottle 30#</li> <li>LP Regulator</li> <li>Exterior propane port assembly</li> <li>Label, LPG service port</li> </ul> |
|---|--|

# 2022 GLOBETROTTER PLUMBING, LPG SYSTEM

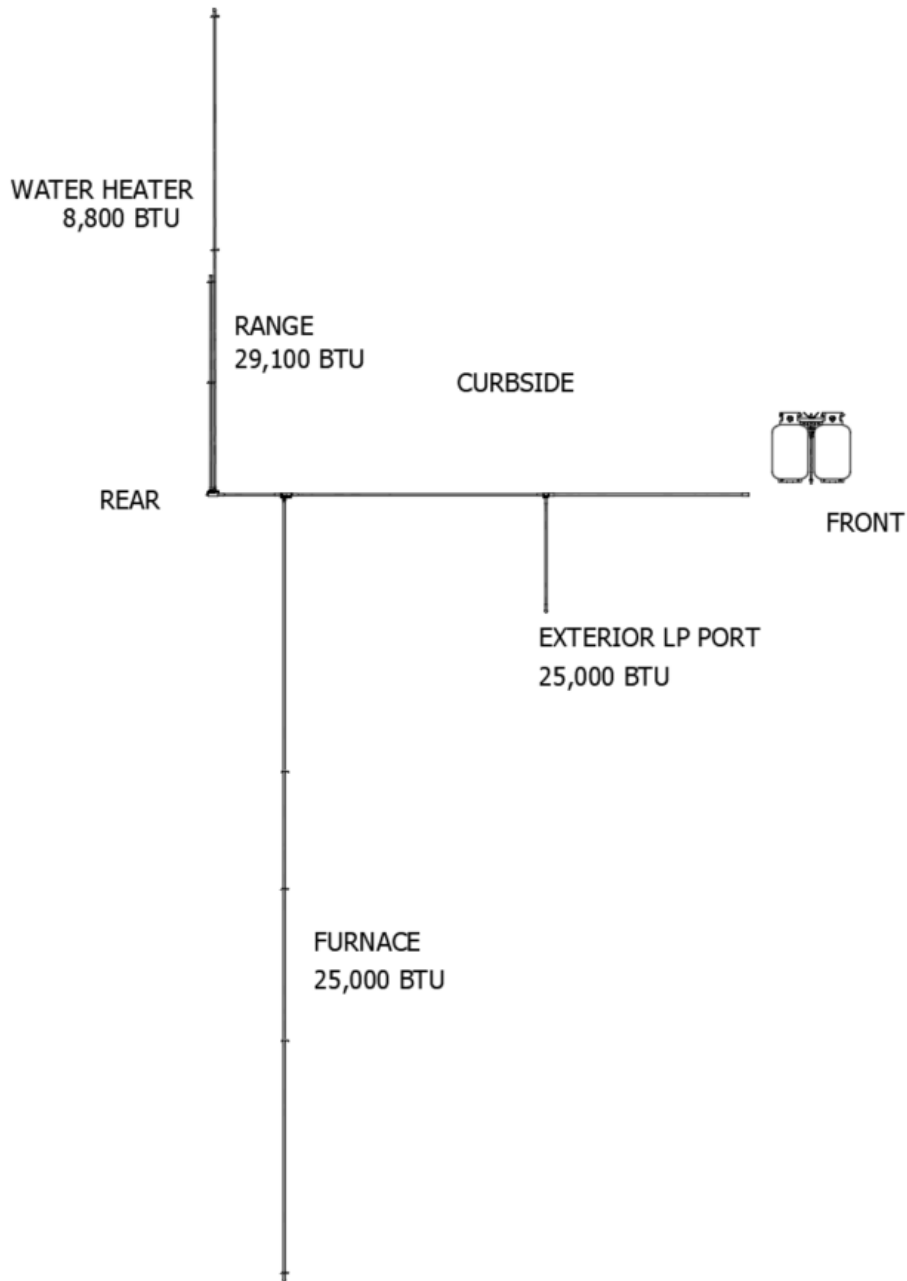
## LPG System, 25FB



- |    |           |                                 |
|----|-----------|---------------------------------|
| 1. | 345181    | Screw- 1/4-14 X 2" Self Tapping |
| 2. | 381332-16 | Washer Star 1/4IN               |
| 3. | 382556    | Closeout- 2.38"D LP Assembly    |
| 4. | 943988    | Lp Flexline Hose 25FB GLO       |
| 5. | 601710-01 | Cylinder 30# Steel LP A/S TT    |
|    | 382160    | Grommet-Flexible Vinyl #635     |
|    | 921246-01 | Cover-LP Bottle 30#             |
|    | 602870    | LP Regulator                    |
|    | 602465    | Exterior propane port assembly  |
|    | 386250    | Label, LPG service port         |

# 2022 GLOBETROTTER PLUMBING, LPG SYSTEM

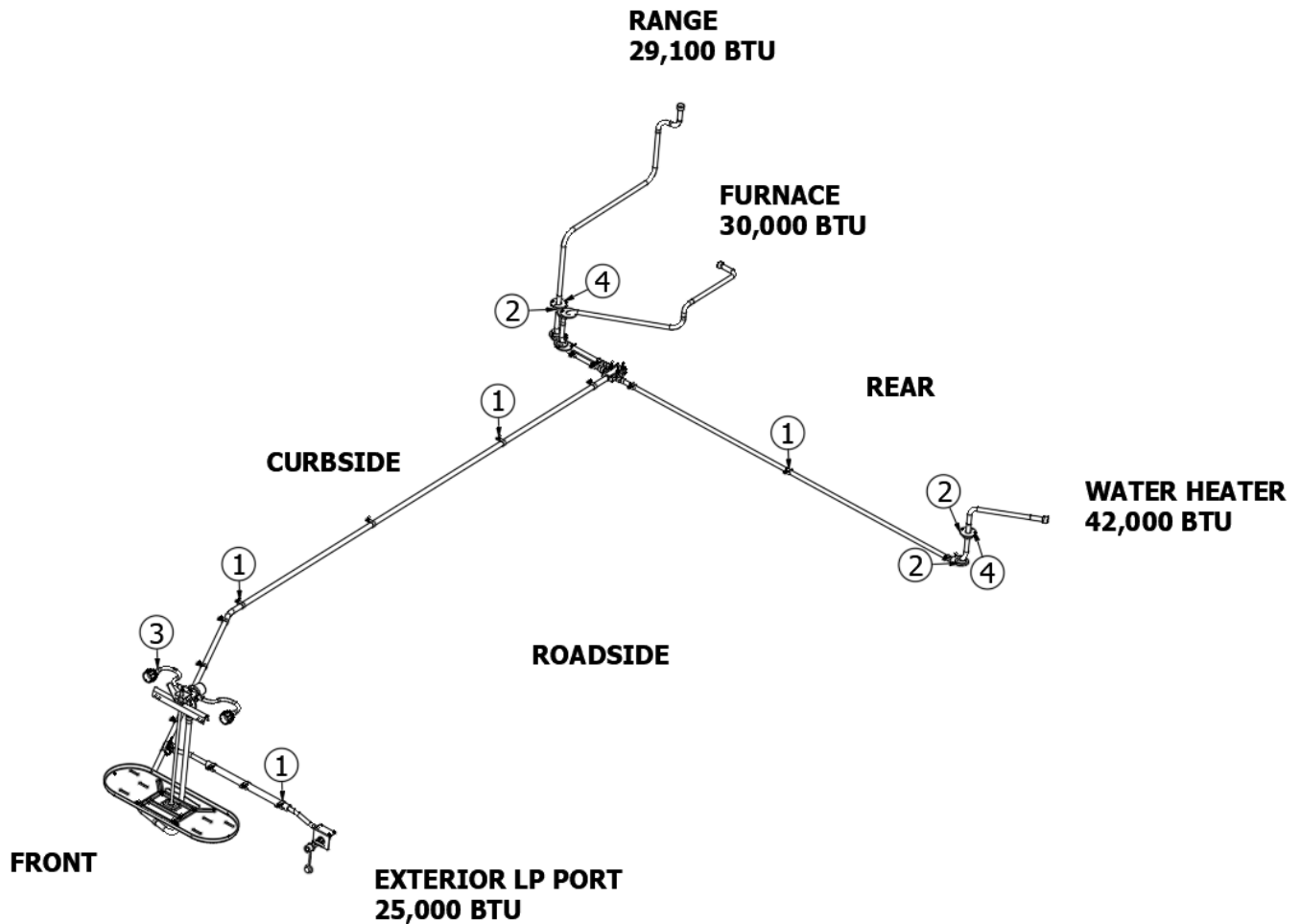
LPG System, 27 FB



- |   |  |
|---|--|
| <p>345181<br/>381332-16<br/>382556<br/>943989<br/>601710-01<br/>382160<br/>921246-01<br/>602870<br/>602465<br/>386250</p> | <p>Screw- 1/4-14 X 2" Self Tapping<br/>Washer Star 1/4IN<br/>Closeout- 2.38"D LP Assembly<br/>Lp Flexline Hose 27FB GLO<br/>Cylinder 30# Steel LP A/S TT<br/>Grommet-Flexible Vinyl #635<br/>Cover-LP Bottle 30#<br/>LP Regulator<br/>Exterior propane port assembly<br/>Label, LPG service port</p> |
|---|--|

# 2022 GLOBETROTTER PLUMBING, LPG SYSTEM

LPG System, 30RB



943927

LP System Flexline - 30 Glo

- |    |           |                                      |
|----|-----------|--------------------------------------|
| 1. | 340085-06 | Clamp, Loop, Steel W/Rubber, .75 Dia |
| 2. | 382500    | Grommet- .5" Pipe Press Fit Sealing  |
| 3. | 602870    | LP Regulator                         |
| 4. | 382556    | LP Closeout                          |
|    | 382160    | Grommet Rubber                       |
|    | 601710-01 | Cylinder 30lb. Steel                 |
|    | 921246-01 | LP Bottle Cover 30 Lb.               |
|    | 381332-16 | Washer Star 1/4in                    |
|    | 602465    | Exterior propane port assembly       |
|    | 386250    | Label, LPG service port              |



## 2022 GLOBETROTTER PLUMBING, LPG SYSTEM

### LPG Tank and Cover

601710-01	LP cylinder, Steel
921246-01	LP tank cover, Black
602870	LP Regulator
455841	Wing nut
381613	Cover, Wing nut, Plastisol
455842	Holddown, LP cylinder
345764	Threaded rod, 23.5"
350132	Flange nut
602332-02	Black pan
115289-05	Cross bar, LP bottle cover, 5.31"
200841-02	Lid, LP tank cover
382562	Latch, Rubber
382562-01	Keeper, Rubber latch

2022 GLOBETROTTER  
PLUMBING, FRESH WATER

Faucet, Galley

602703

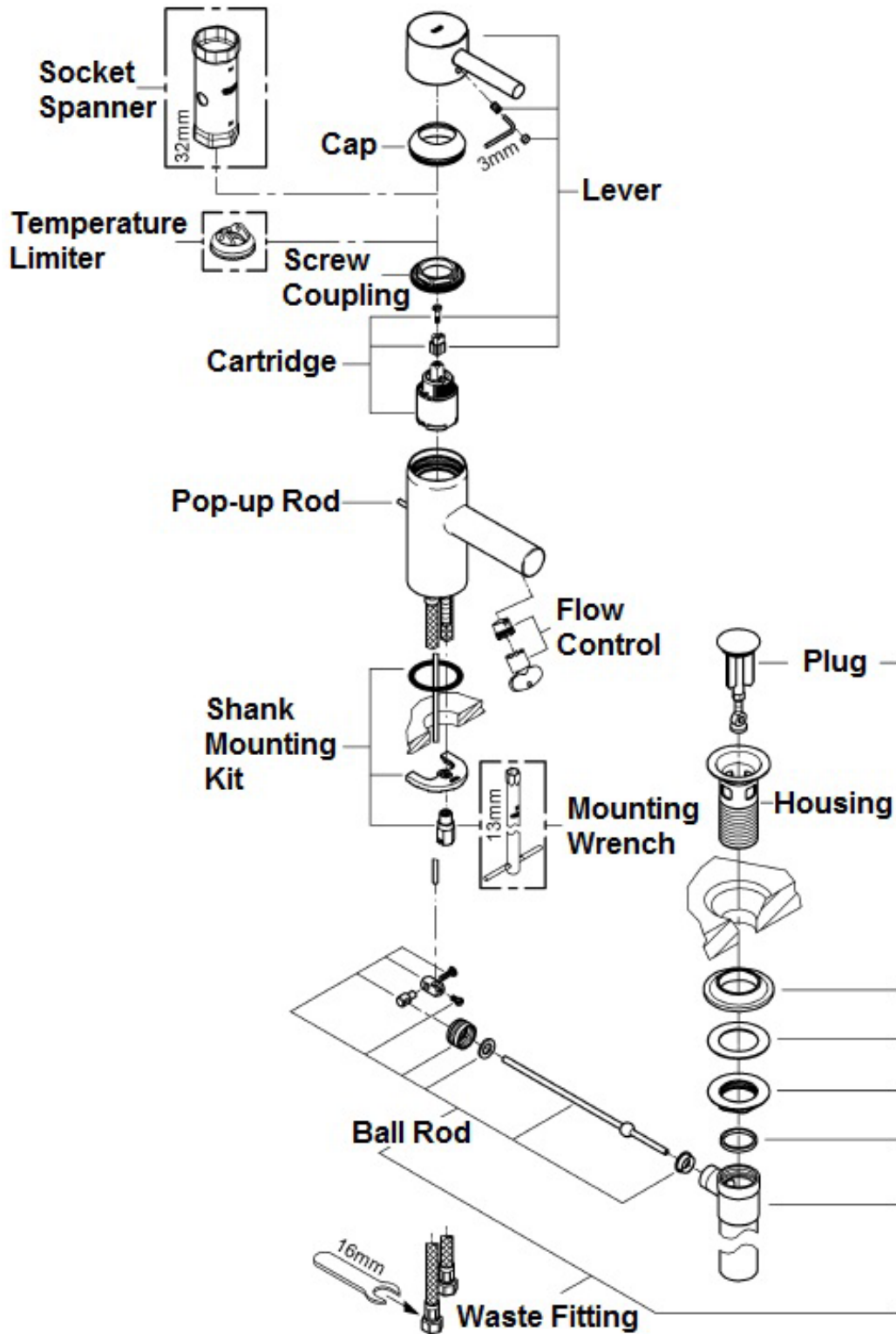
Faucet, Single hole pull down, Franke



# 2022 GLOBETROTTER PLUMBING, FRESH WATER

Faucet, Lavatory

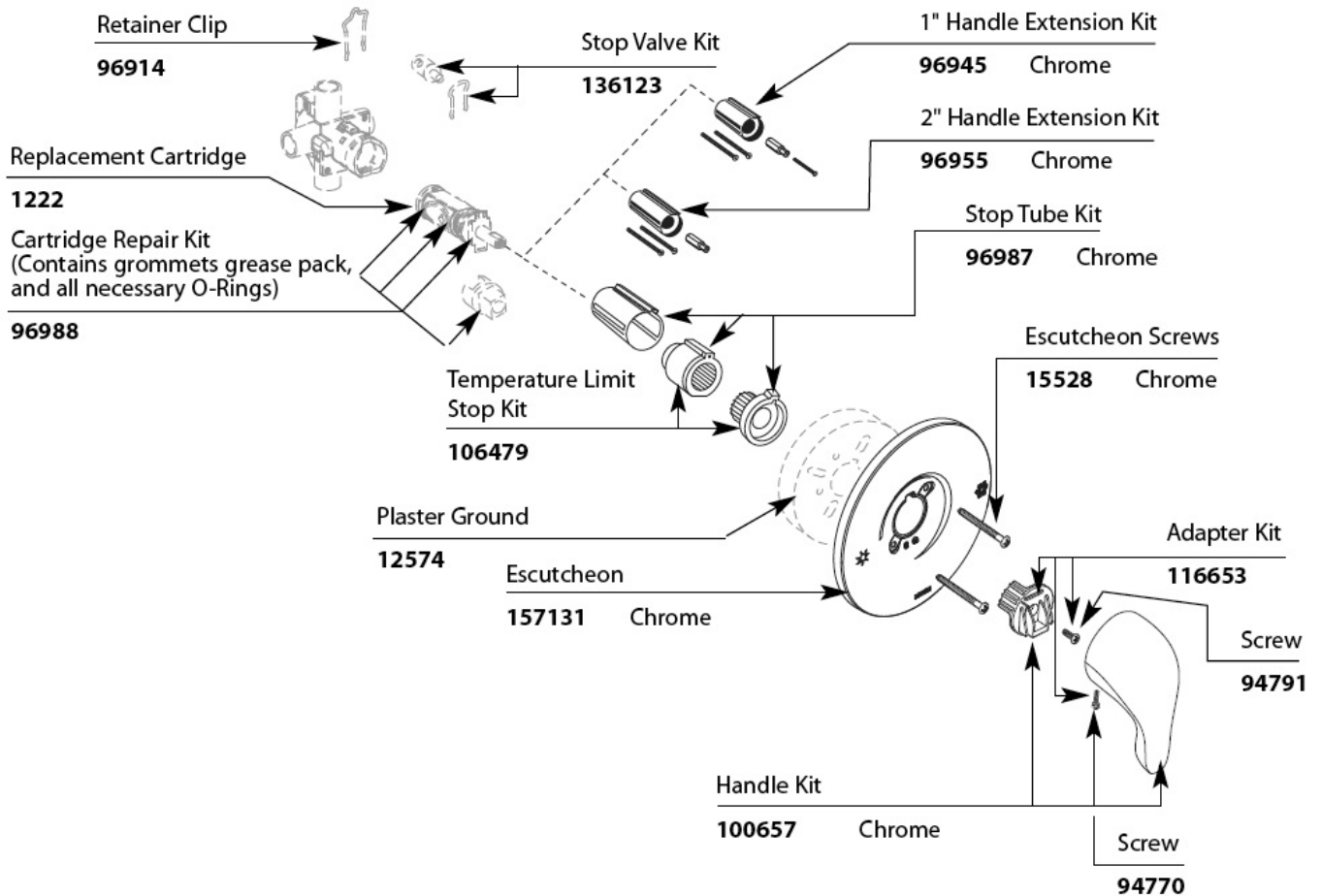
602550 Lavy faucet, Single hole, Chrome



# 2022 GLOBETROTTER PLUMBING, FRESH WATER

## Faucet, Shower

- 601829 Shower handle, Chrome
- 601358 Kit, Hand shower unit, Wall mount, Chrome
- 601358-100 Shower head
- 601358-101 Wall plate w/pin
- 601358-102 Swivel w/shower hook
- 601358-103 Swivel connector
- 601358-104 Shower supply elbow



\*Numbers listed are Moen part numbers

## 2022 GLOBETROTTER PLUMBING, FRESH WATER

### City Water Hook-Up

601392-06	City water hook-up w/regulator, 50 PSI, Chrome
601392-01	Plastic screw in cap
365478	Decal-City Water Inlet

### Fresh Water Tank Fill

601194	Water fill w/lock, Gray
601194-02	Cap, cable, and spout
601239-01	Tubing, 1.375" ID, Ribbed
601240-01	Tubing, .5" ID, 3/32" wall thickness

### Water Pump

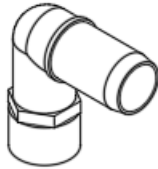
602307	Shurflo water pump, 3 GPM
601668-01	Strainer, Water pump

### Fresh Water Tank

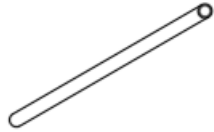
601863-02	Tank, Fresh water, 39 gallon, 23FB
601863-01	Tank, Fresh water, 39 gallon
601864-01	Tank-Fresh Water 54.5 GAL #, 30RB
966288	Tank pan, Fresh water, 23CB, 23FB
602520	Tank pan, Fresh water, 25', 25FB, 28'
601620	Tank pan, Fresh water, 27FB, 30'
601243	Drain cock
600155	Plug, Cleanout, 1.5"
601723	Filter screen

# 2022 GLOBETROTTER PLUMBING, FRESH WATER

## Fresh Water Fittings



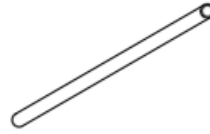
1



2



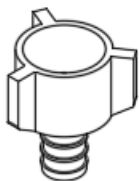
3



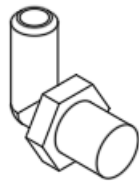
4



5



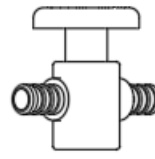
6



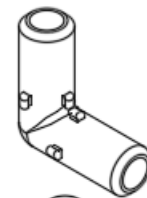
7



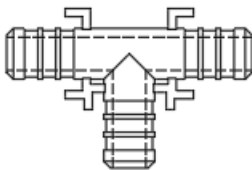
8



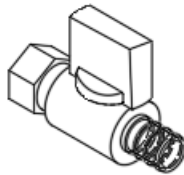
9



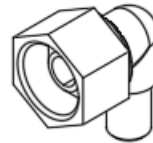
10



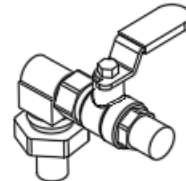
11



12



13

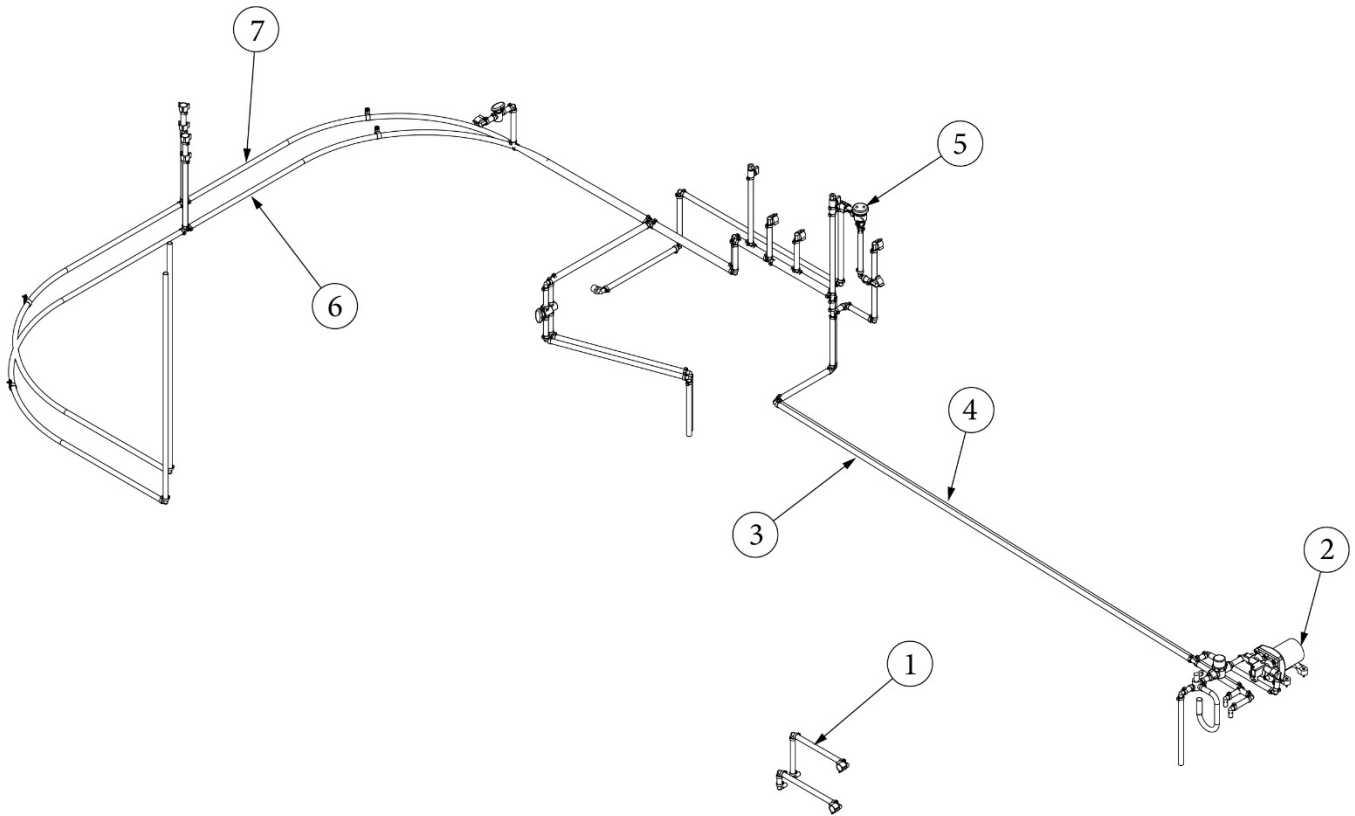


14

- |               |                                     |
|---------------|-------------------------------------|
| 1. 601237     | Elbow, 90° 1.25 MPT x 1.25 Bar      |
| 2. 601698-01  | E-Pex tube, 1/2"                    |
| 3. 601698-15  | Crimp ring, 1/2" E-Pex, 1/2", Black |
| 4. 601698-21  | E-Pex tube, 1/2", Red               |
| 5. 602256-02  | Coupler, 1/2" barb x 1/2" MPT       |
| 6. 602256-03  | Coupler, 1/2" barb x 1/2" FPT       |
| 7. 602256-04  | Elbow, 1/2" barb x 1/2" MPT         |
| 8. 602256-05  | Elbow, 1/2 barb x 1/2" FPT          |
| 9. 602256-22  | Valve, .5 barb x .5 straight        |
| 10. 602256-10 | Elbow, 1/2" barb x 1/2" barb        |
| 11. 602256-11 | Tee, 1/2" x 1/2" x 1/2"             |
| 12. 602137    | Valve-Shut Off .5"Bx.38"Comp        |
| 13. 602669    | Valve-Brass Elbow #26585            |
| 14. 602185-01 | Drain valve, 90°                    |

# 2022 GLOBETROTTER PLUMBING, FRESH WATER

## Fresh Water Lines, 23FB



113837

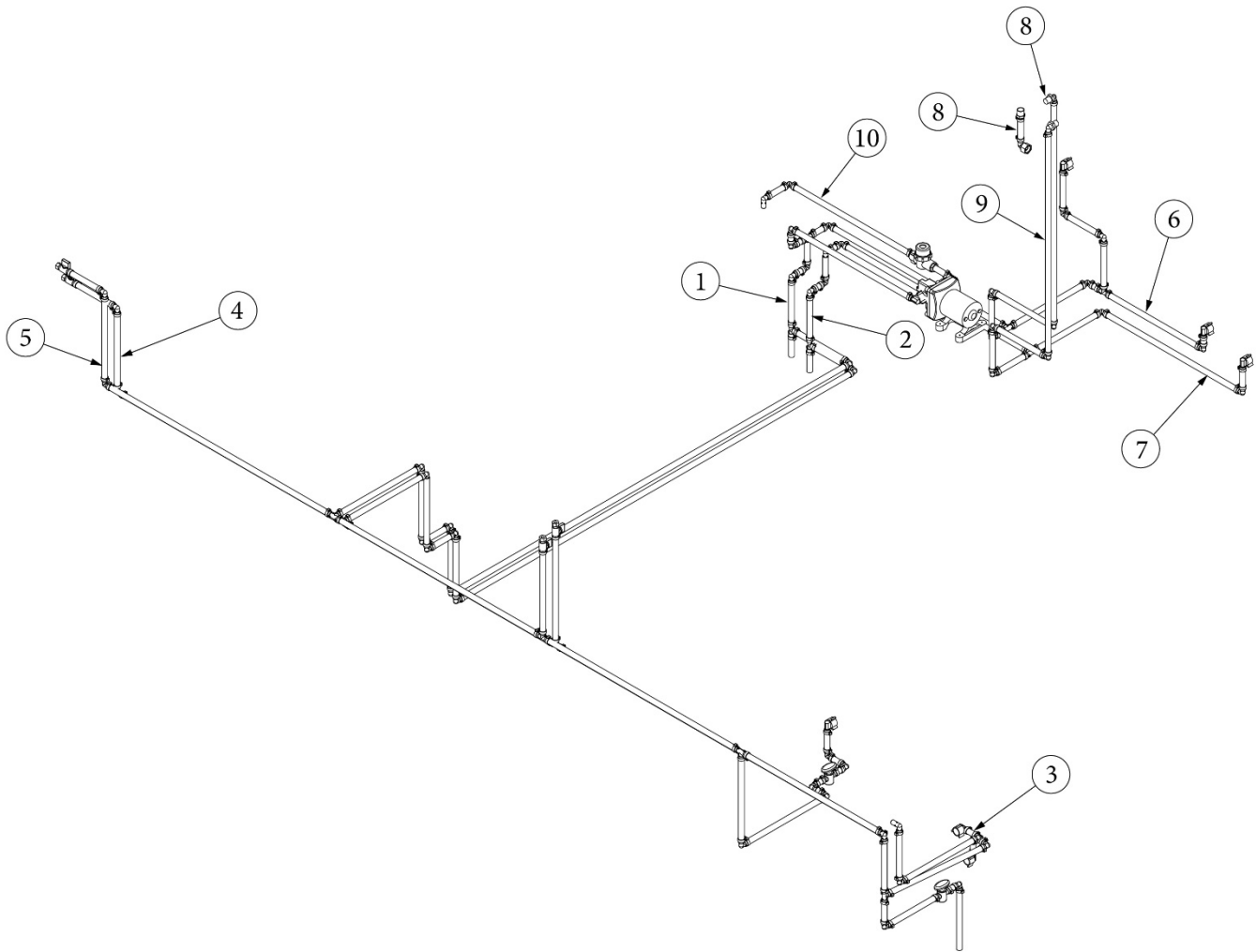
Install, Fresh Water System, 23FB

944022-01  
944022-02  
944022-03  
944022-04  
944022-08  
944022-09  
944022-10

Layout, Water heater hookup  
Layout, Water pump lines  
Layout, Cold water lines, RS  
Layout, Hot water lines, RS  
Layout, Tank flush  
Layout, Hot water lines, Rear  
Layout, Cold water lines, Rear

# 2022 GLOBETROTTER PLUMBING, FRESH WATER

## Fresh Water Lines, 25FB



943884                      Layout-Fresh Water 25FB Globetrotter

943617-06                  Crossover Line Assembly, Cold Water

943617-07                  Crossover Line Assembly, Hot Water

943884-09                  Layout, Water heater

943884-02                  Layout - Hot - CS

943884-03                  Layout - Cold - CS

943884-04                  Layout - Cold - RS

943884-05                  Layout - Hot - RS Forward

943884-06                  Shower Water Line Cold

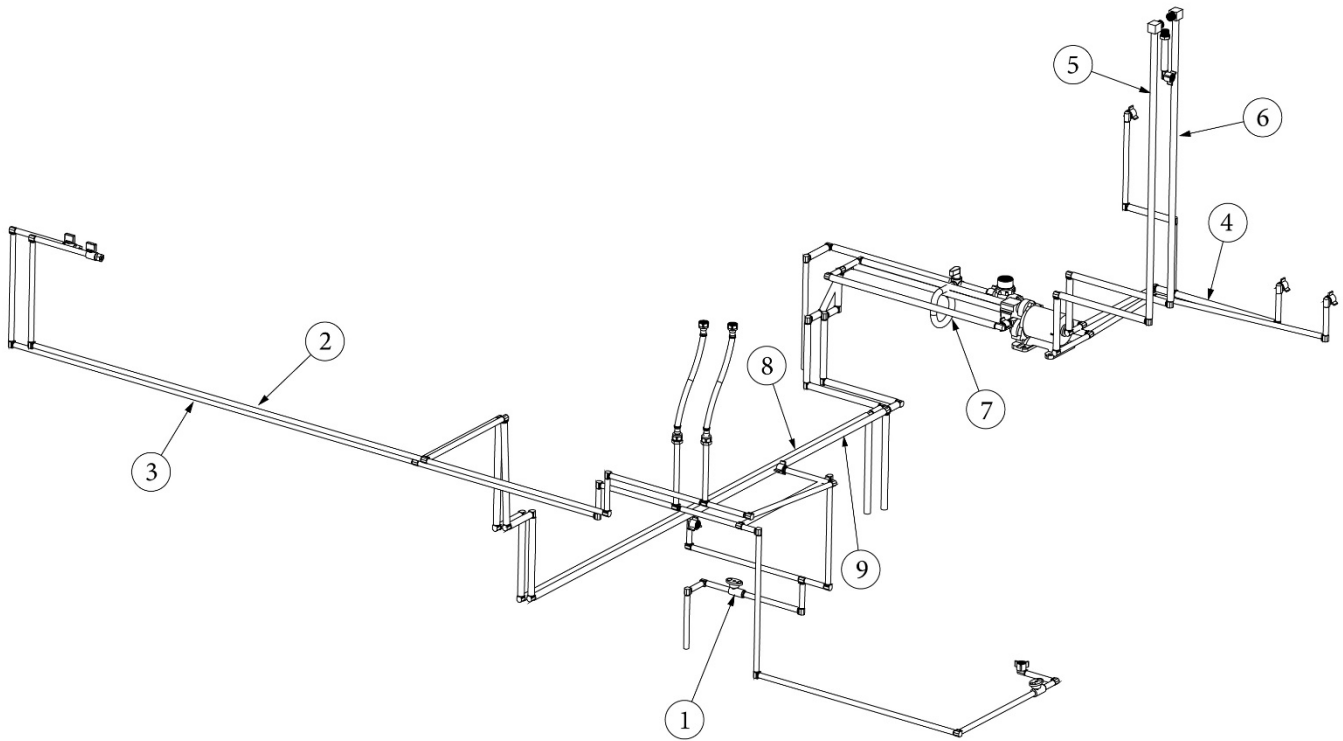
943884-07                  Shower Water Lines Hot

943884-08                  Water Pump Connect



# 2022 GLOBETROTTER PLUMBING, FRESH WATER

## Fresh Water Lines, 27FB



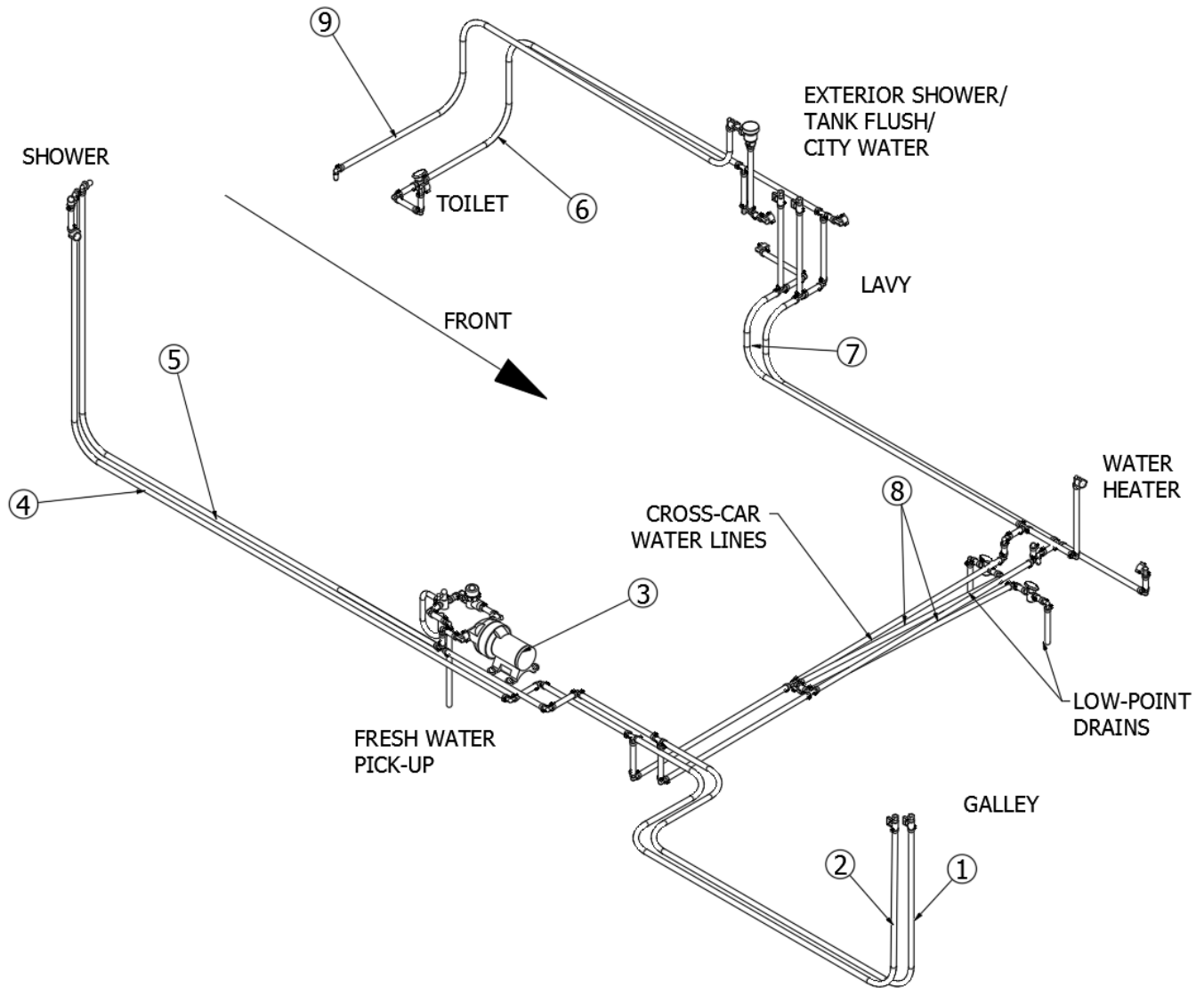
943670-101

### Fresh Water Layout

- |              |                              |
|--------------|------------------------------|
| 1. 943670-15 | Layout, Water heater hookup  |
| 2. 943670-02 | Layout, Hot water, CS        |
| 3. 943670-03 | Layout, Cold water, CS       |
| 4. 943670-04 | Layout, Cold water, RS       |
| 5. 943670-05 | Layout, Hot water, RS        |
| 6. 943670-06 | Layout, Shower control valve |
| 7. 943670-07 | Layout, Water pump connect   |
| 8. 943617-01 | Crossover line, Cold         |
| 9. 943617-08 | Crossover line, Hot          |

# 2022 GLOBETROTTER PLUMBING, FRESH WATER

## Fresh Water Lines, 30RB



113195

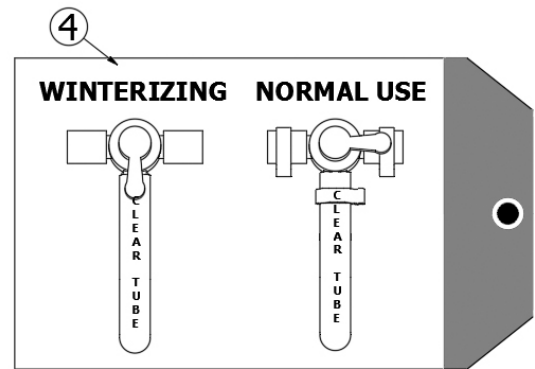
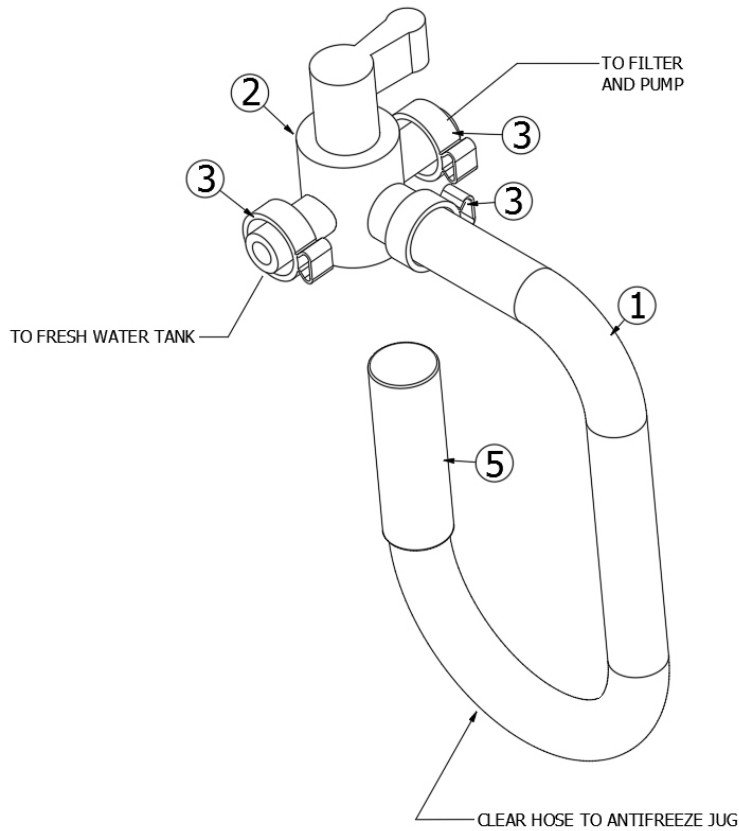
Fresh Water System Install 30G

- |    |           |                                |
|----|-----------|--------------------------------|
| 1. | 113195-01 | Water Line - Galley - Cold 30  |
| 2. | 113195-02 | Water Line - Galley Hot Water  |
| 3. | 113195-03 | Pick Up Cold Water Line 30 GLO |
| 4. | 113195-04 | Water Lines CS Hot - 30GLO     |
| 5. | 113195-05 | Water Line - Cold-Shower 30GLO |
| 6. | 113195-10 | Water Lines - RS Cold 30GLO    |
| 7. | 113195-11 | Water Lines RS Hot Water 30GLO |
| 8. | 113195-08 | Water Lines - Cross-Car 30GLO  |
| 9. | 113195-09 | Water Lines Tank Flush 30GLO   |

# 2022 GLOBETROTTER PLUMBING, FRESH WATER

## Winterization Kit

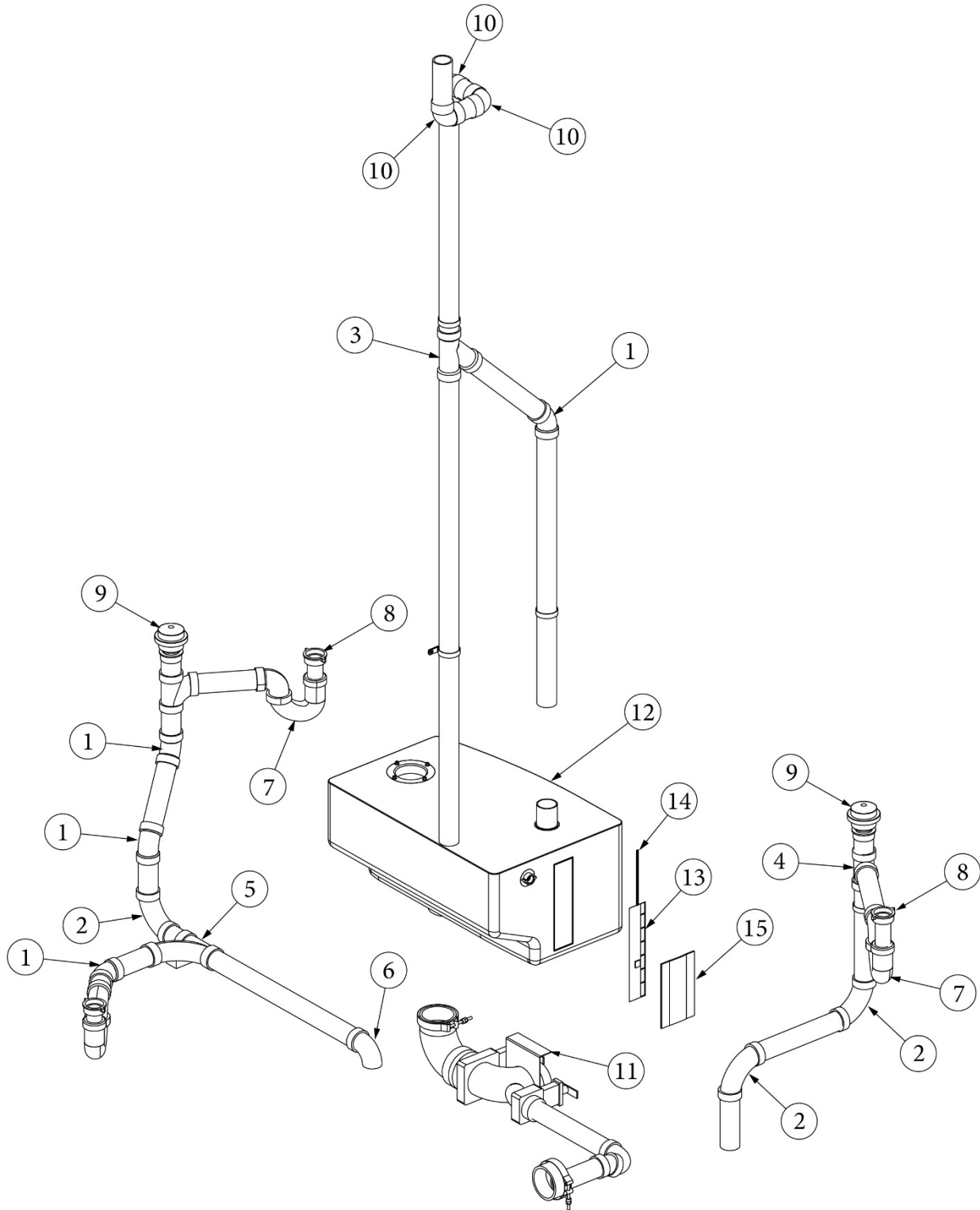
### 112814 Winterization Kit Installation



- |    |           |                                     |
|----|-----------|-------------------------------------|
| 1. | 601240-01 | Tubing 1/2 I.D. X 3/32 Wall Thick   |
| 2. | 602711    | Valve-3 Way Bypass .5" PEX #32788   |
| 3. | 601698-15 | 1/2 CRIMP RING #14785               |
| 4. | 365453    | Tag-Instruction - Winterization Kit |
| 5. | 602801    | Cap, 5/8" ID, Winterization Kit     |

# 2022 GLOBETROTTER PLUMBING, DRAIN

Drain, Above Floor, 23FB



Parts Listed on Next Page

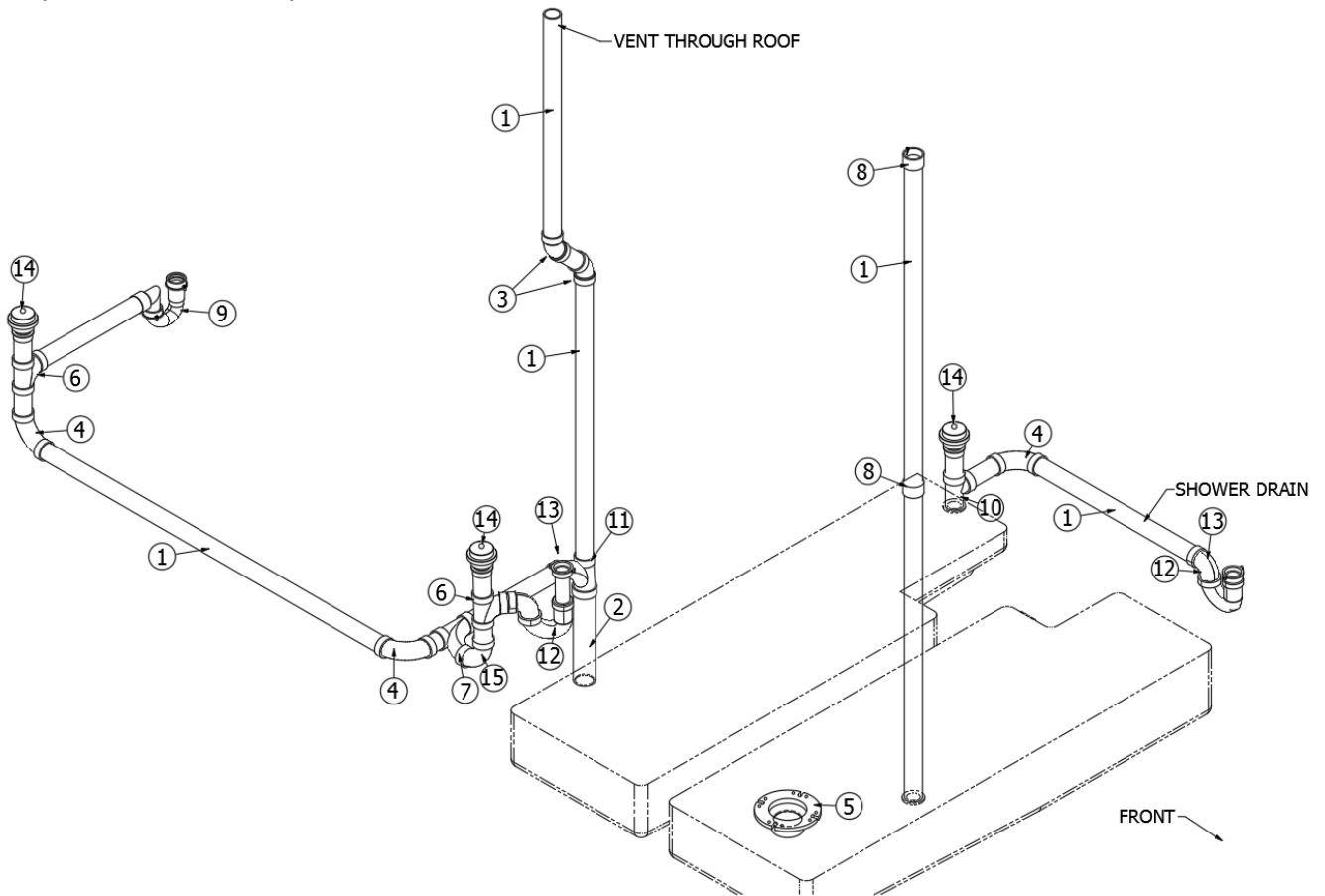
## 2022 GLOBETROTTER PLUMBING, DRAIN

### Drain, Above Floor, 23FB

113789-02	Install, Drainage System
944019-02	Layout, Above Floor Drainage
1. 600030	Ell- Abs 45 Degrees Lg Turn
2. 600035	Ell- Abs Long Sweep 1-1/2
3. 600094	Wye, 45 Degree 1-1/2in
4. 600156	Tee, Sanitary, 1.5"
5. 600182	Wye, 1.5 x 1.5 x 1.5"
6. 600662	1 1/2" Elbow, Short Radius
7. 602164-01	P Trap W/Compression Nut 1.5"
8. 602164-02	Tailpiece W/Nuts & Washers 1.5"
9. 602306	Valve-2" Air Admittance Ayrlett
10. 600033	Elbow, Vent, 90 degree
11. 943887-01	Assembly, Dump valve
12. 602793-1	Black tank, 18 Gallon
13. 512566-02	Sender pad, Seelevel, Model 710ES
14. 512951-01	Harness, Pad, Seelevel, 4' leads
15. 365493	Gasket, Protective, Sensor pad
601160-02	Abs Pipe, 1.5in.

# 2022 GLOBETROTTER PLUMBING, DRAIN

## Drain, Above Floor, 25FB



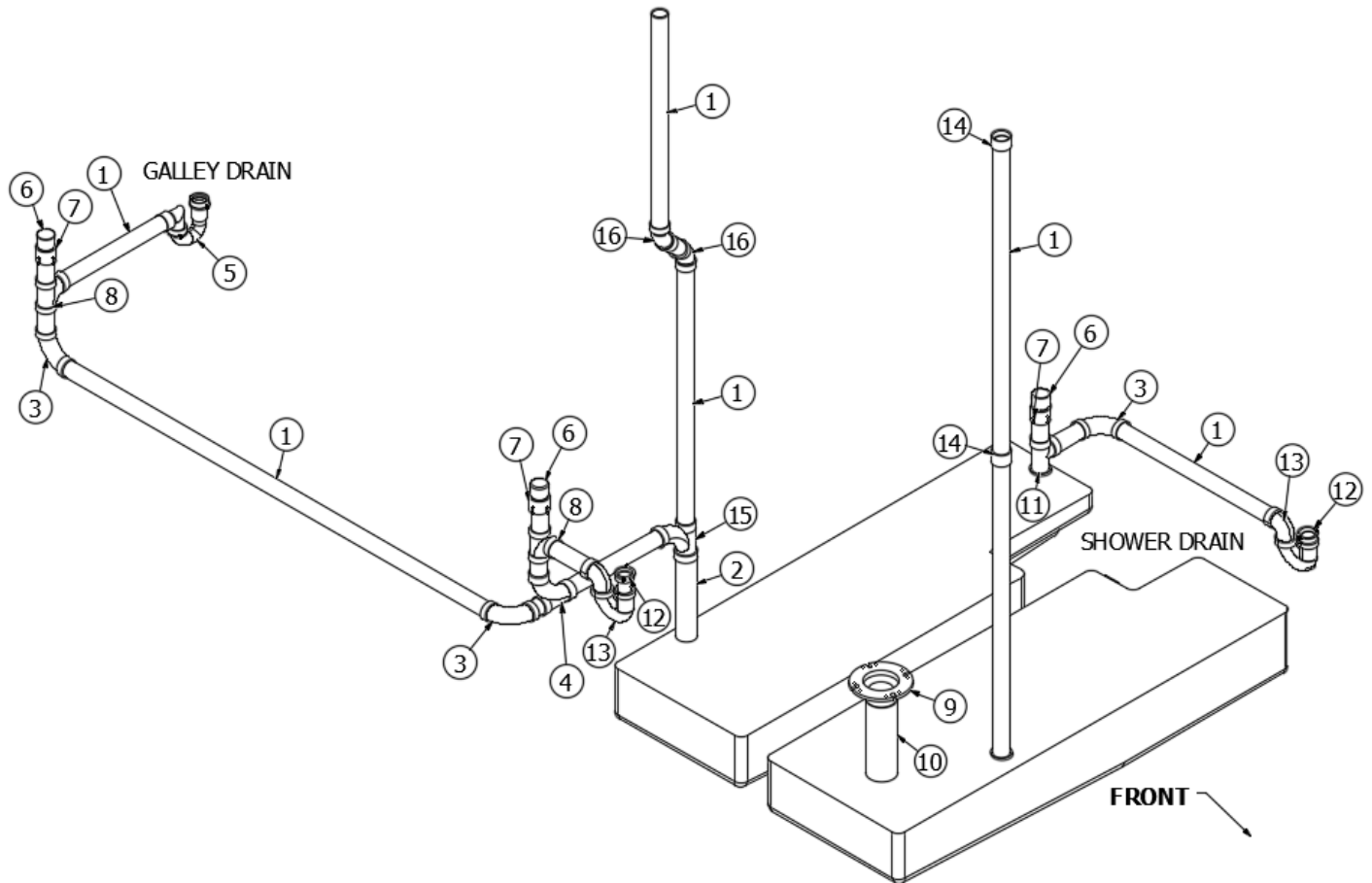
943883

### Above Floor Drain System

- |               |                                  |
|---------------|----------------------------------|
| 1. 601160-02  | Pipe, ABS, 1.5"                  |
| 2. 601160-03  | Pipe, ABS, 2"                    |
| 3. 600030     | Ell, ABS, 45°, Long turn         |
| 4. 600035     | Ell, ABS, Long sweep, 1.5"       |
| 5. 600065     | Flange, Floor threaded           |
| 6. 600156     | Tee, Sanitary, 1.5"              |
| 7. 600182     | Wye                              |
| 8. 600227     | Plastic coupling                 |
| 9. 600622     | P-trap, 1.5" w/slip nut & washer |
| 10. 601868    | Sanitary Tee-SPIG X HUB X HUB    |
| 11. 602072    | Tee, Sanitary, Reducing          |
| 12. 602164-01 | P-trap w/compression nut, 1.5"   |
| 13. 602164-02 | Tailpiece w/nuts & washers, 1.5" |
| 14. 602306    | Valve-2" Air Admittance Ayrlett  |
| 15. 600431    | Elbow, 90, 1-1/2 IN              |
| 690700-01     | Vent cap cover, White            |

# 2022 GLOBETROTTER PLUMBING, DRAIN

## Drain, Above Floor, 27FB



943837

### Above Floor Drain System

- |               |                                    |
|---------------|------------------------------------|
| 1. 601160-02  | Pipe, ABS, 1.5"                    |
| 2. 601160-03  | Pipe, ABS, 2"                      |
| 3. 600035     | Ell, ABS, Long sweep, 1.5"         |
| 4. 600182     | Wye                                |
| 5. 600622     | P-trap, 1.5" w/slip nut & washer   |
| 6. 600538     | Vent, V-200                        |
| 7. 600308     | Adapter, ABS, Female               |
| 8. 600156     | Tee, Sanitary, 1.5"                |
| 9. 600065     | Flange, Floor threaded             |
| 10. 601267-04 | Nipple, Threaded one end only, 10" |
| 11. 601686    | Tee, Sanitary                      |
| 12. 602164-02 | Tailpiece w/nuts & washers, 1.5"   |
| 13. 602164-01 | P-trap w/compression nut, 1.5"     |
| 14. 600227    | Plastic coupling                   |
| 15. 602072    | Tee, Sanitary, Reducing            |
| 16. 600030    | Ell, ABS, 45°, Long turn           |

690700-01

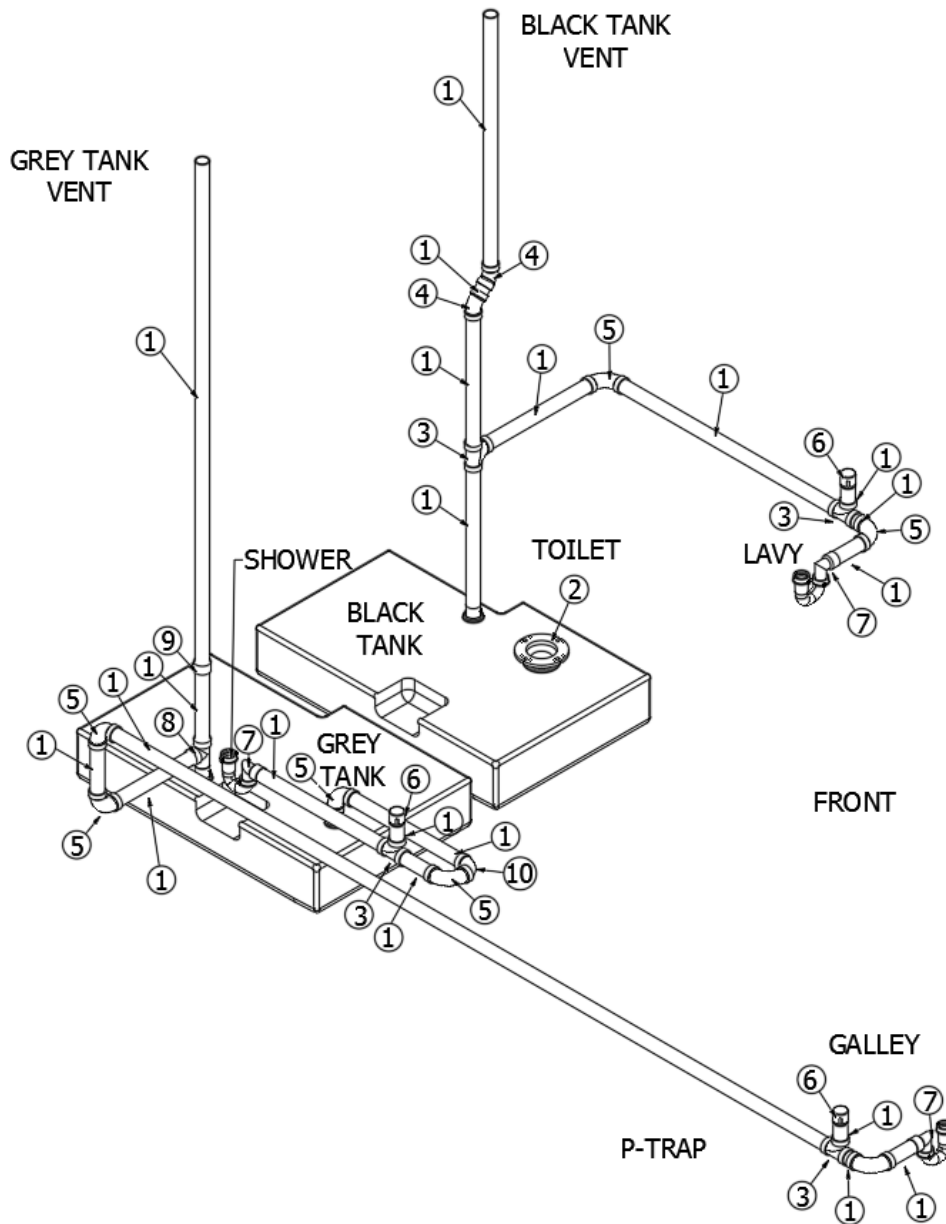
# 2022 GLOBETROTTER

Vent cap cover, White



# 2022 GLOBETROTTER PLUMBING, DRAIN

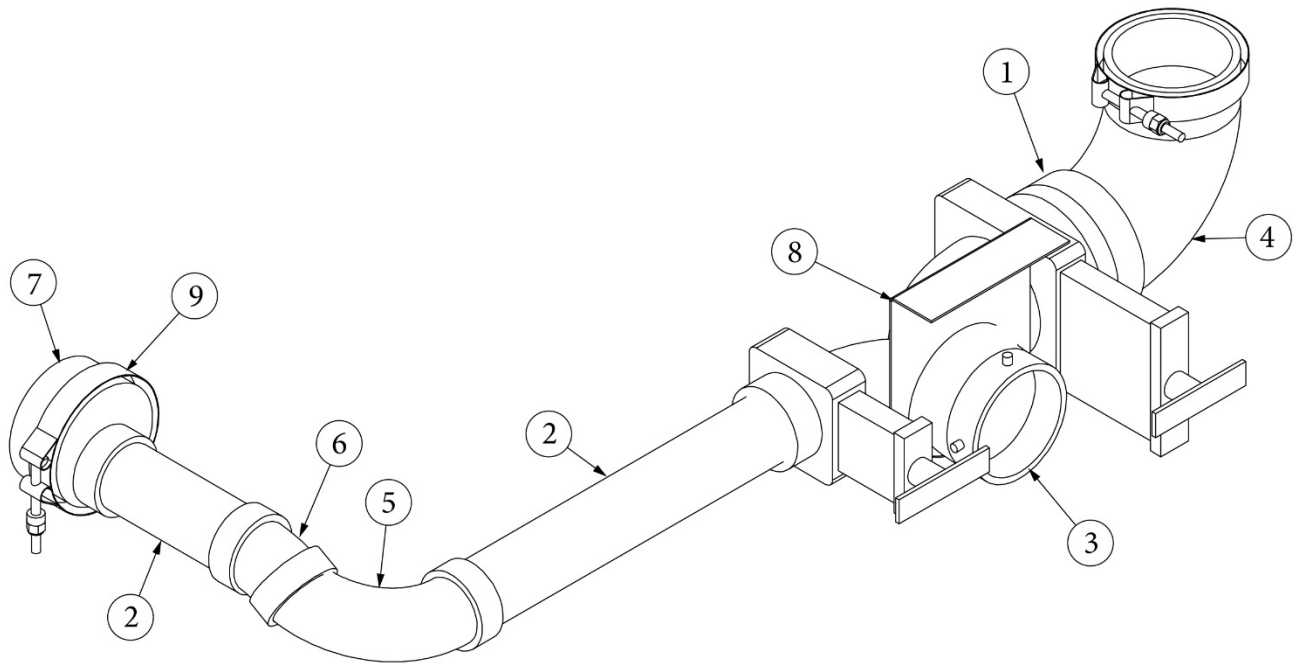
## Drain, Above Floor, 30RB



- |     |           |                                       |
|-----|-----------|---------------------------------------|
| 1.  | 601160-02 | Pipe, ABS DVW, 1-1/2"                 |
| 2.  | 600065    | Toilet Floor Flange, Screw-In Fitting |
| 3.  | 600156    | Tee, Sanitary 1.5IN X 1.5IN. X 1.5IN  |
| 4.  | 600030    | ELL- ABS 45 Degrees LG Turn           |
| 5.  | 600035    | Elbow, 1.5 In. Xlt 90 Degree          |
| 6.  | 600538    | Pump Vent, Automatic V-200            |
| 7.  | 600622    | 'P' Trap - 1.5IN W/Slip Nut & Washer  |
| 8.  | 601868    | Sanitary Tee-SPIG X HUB X HUB         |
| 9.  | 600227    | Coupling,1.5 In. Plastic              |
| 10. | 600662    | 1 1/2" Elbow, Short Radius            |
| 11. | 340084-28 | Clamp, Hose - Size 2-1/4IN            |

# 2022 GLOBETROTTER PLUMBING, DRAIN

## Dump Valve, 23FB



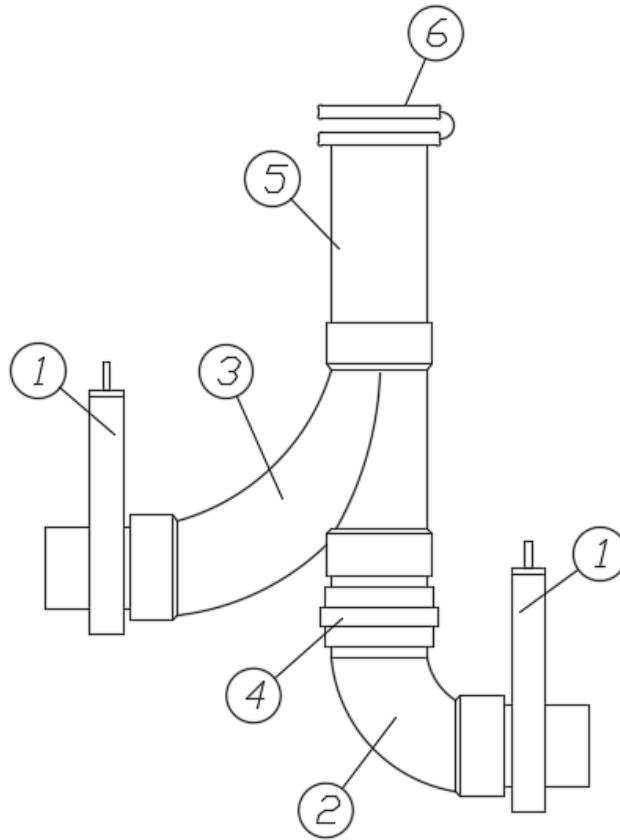
943887-01

Assembly, Dump valve

- |               |   |
|---------------|---|
| 1. 601160-04  | Pipe, ABS DVW, 3"- 4" long                    |
| 2. 601160-02  | Pipe, ABS DVW, 1.5"-2" long                   |
| 3. 601482     | Dump valve rotating assembly                  |
| 4. 601531     | Elbow, 90 degree, 3"                          |
| 5. 600431     | Elbow, 90°, 1.5"                              |
| 6. 600116     | Elbow, 22-1/2 degree, 1-1/2"                  |
| 7. 195329-229 | Reducer adaptor, 3" to 1.5"                   |
| 8. 114849-06  | Aluminum sheet, .06 x 36", 24 square ft sheet |
| 9. 340092     | Clamp, Worm type                              |

# 2022 GLOBETROTTER PLUMBING, DRAIN

## Dump Valve, 25FB, 27FB



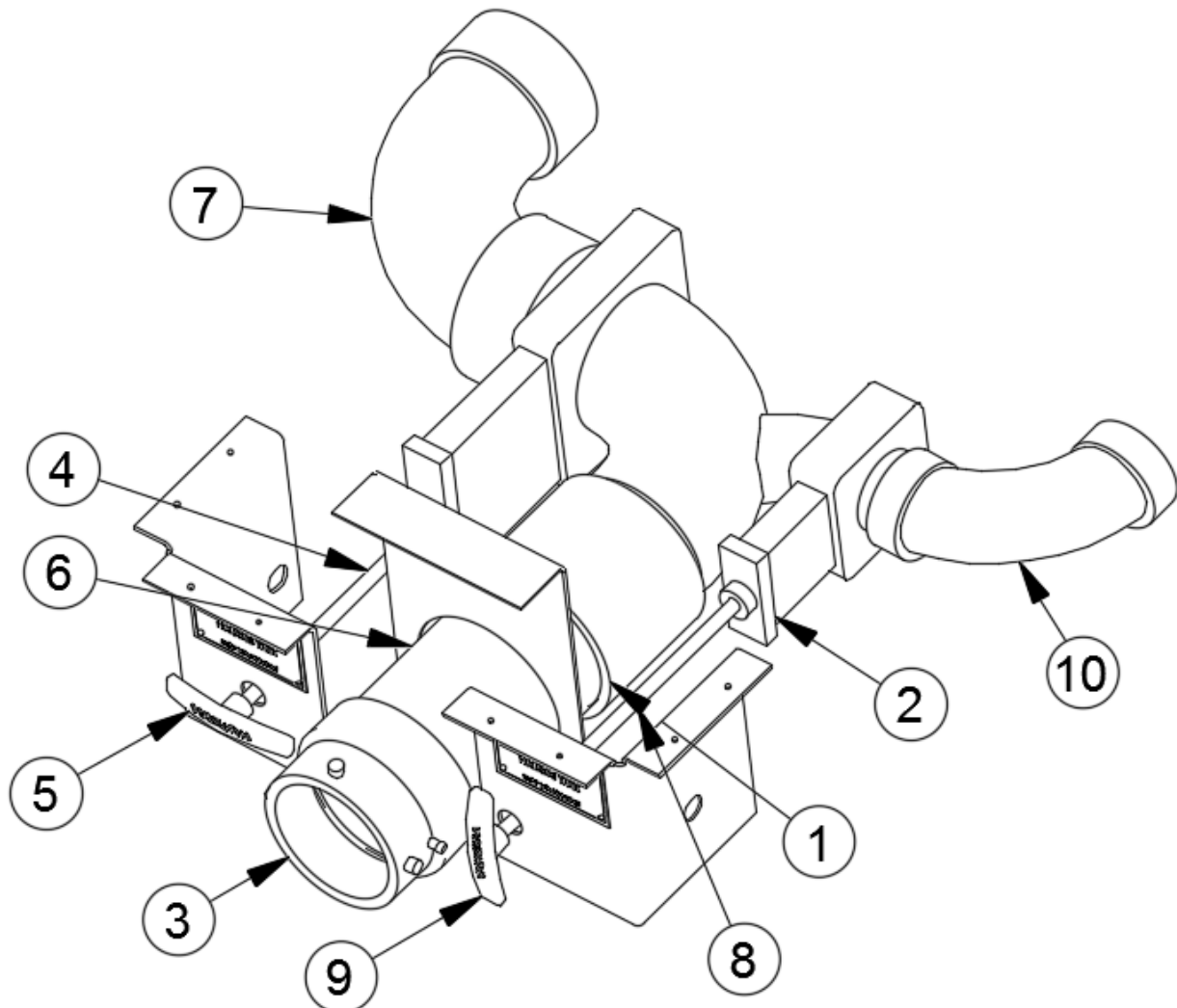
110191

### Dump Valve Assembly

- |              |                                       |
|--------------|---------------------------------------|
| 1. 601607-11 | Valve assembly, 3" spigot x 3" spigot |
| 2. 600820    | Single socket, 3", 90°                |
| 3. 600187    | Wye, 3" combination & 1/8" bend       |
| 4. 600289    | Calder coupler, 3"                    |
| 5. 601160-04 | ABS pipe, 3"                          |
| 6. 601607-07 | Termination cap                       |
| 601850-04    | Grey tank, 37 gallon, 25FB, 27FB      |
| 601848-12    | Black tank, 39 gallon, 25FB, 27FB     |
| 601626       | Pan, Waste tanks                      |

# 2022 GLOBETROTTER PLUMBING, DRAIN

## Dump Valve, 30RB



943720

Dump Valve Assembly

- |              |                         |
|--------------|-------------------------|
| 1. 600253    | Coupler, 3"             |
| 2. 601607-16 | Dump valve, No handles  |
| 3. 601607-06 | Termination adaptor     |
| 4. 601607-19 | Threaded extension, 6"  |
| 5. 601607-17 | Black tank handle       |
| 6. 601160-04 | Pipe, ABS DWV, 3"       |
| 7. 600820    | Single socket, 3", 90°  |
| 8. 601607-20 | Threaded extension, 8"  |
| 9. 601607-18 | Grey tank handle        |
| 10. 600035   | Elbow, 90°, Long sweep  |
| 602245-01    | Black tank, 39.3 Gallon |
| 602245-02    | Grey tank, 39.3 Gallon  |
| 602248       | Pan Assy-Blk/Grey Tank  |

## 2022 GLOBETROTTER PLUMBING, DRAIN

### Sinks and Shower

602425	Sink-Moen Single Bowl, 23fb Globetrotter
602893	Sink cover, Corian, Venaro white
602829	Galley sink, Single bowl, Moen, 25FB, 27FB, 30RB
602894	Sink cover, Corian, Verano white
600968	4 IN. Plastic Chrome Basket Strainer
601804-01	Lavy sink, 12" round, SS
203081-02	Shower stall, 2 piece fiberglass, White
703989-01	Shower door, Reeded glass

### Toilet Flange

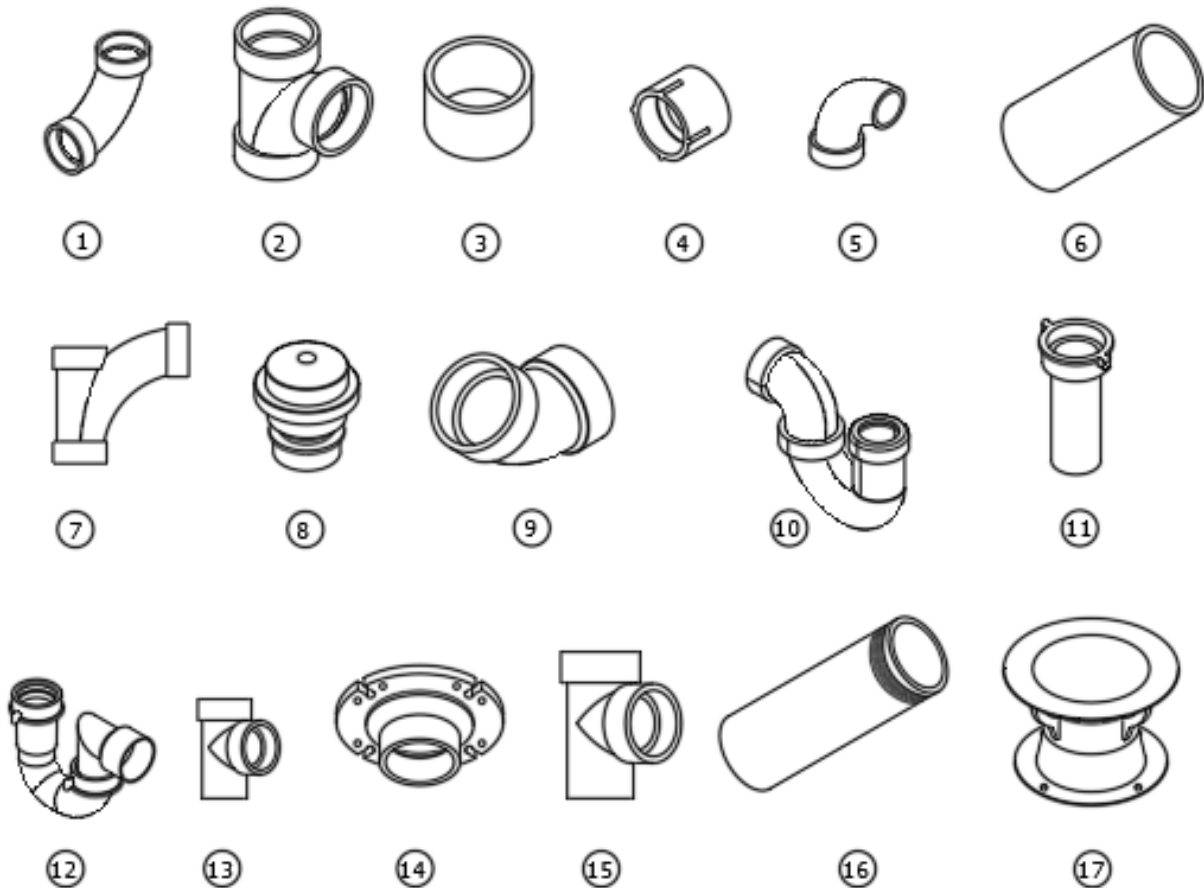
601266	Flange, 3 x 4, Slip fit
--------	-------------------------

### Black Tank Flush

601441-02	Black tank flush
601392-01	Plastic screw in cap
365477	Decal - Black Tank Flush

# 2022 GLOBETROTTER PLUMBING, DRAIN

## Drain Fittings

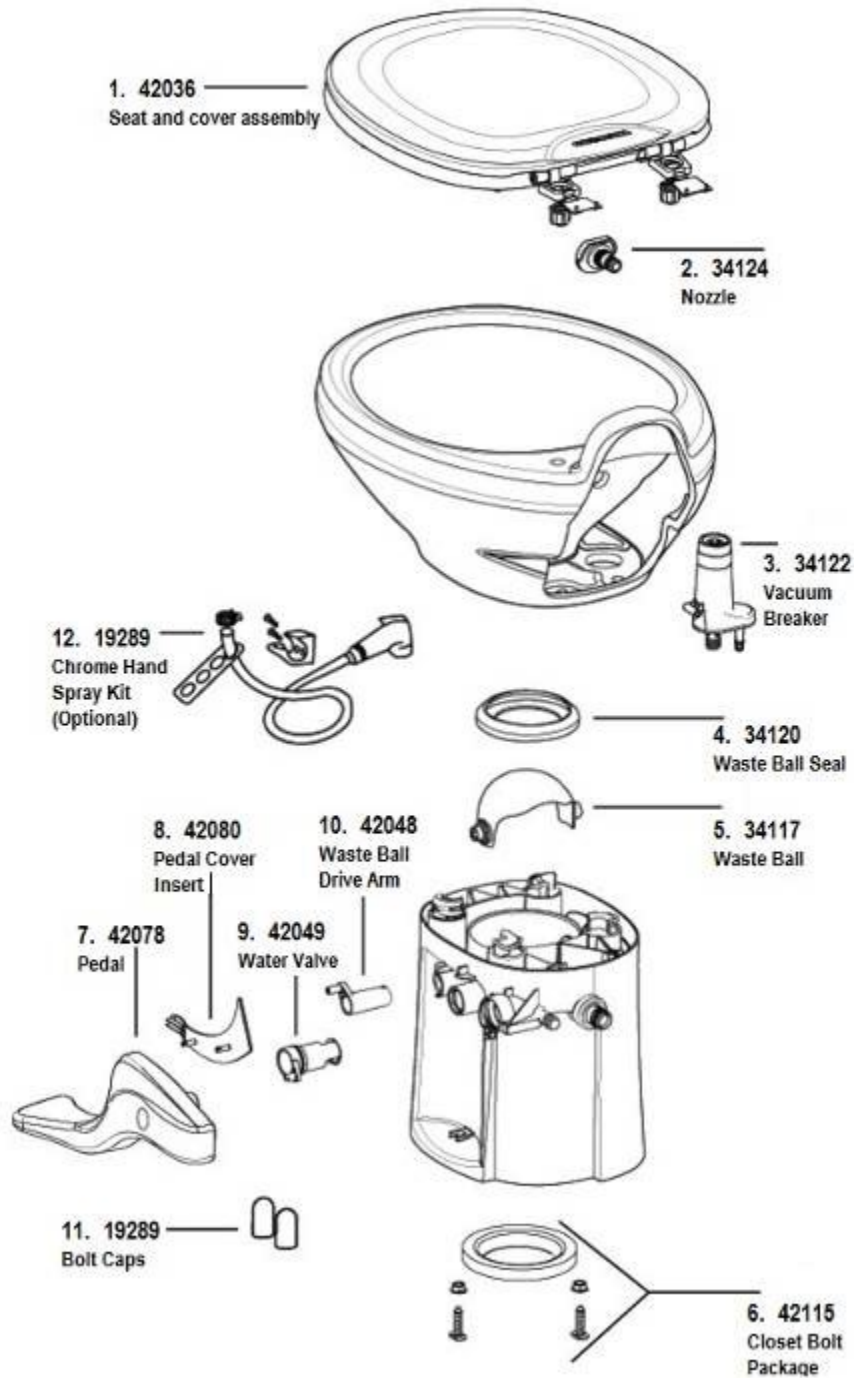


- |               |                                  |
|---------------|----------------------------------|
| 1. 600035     | Elbow, 1.5", 90°, Long sweep     |
| 2. 600156     | Tee, Sanitary                    |
| 3. 600227     | Coupling, 1.5"                   |
| 4. 600308     | Adapter, ABS                     |
| 5. 600431     | Elbow, 90°, long street          |
| 6. 601160-02  | Pipe, ABS DVW, 1.5"              |
| 7. 600182     | Wye, 1.5", 1/8" bend             |
| 8. 602306     | Valve, Air admittance, 2"        |
| 9. 600030     | Elbow, ABS, 45°, Long turn       |
| 10. 602164-01 | P-trap w/compression nut, 1.5"   |
| 11. 602164-02 | Tailpiece w/nuts & washers, 1.5" |
| 12. 600622    | P-trap w/slip nut & washer, 1.5" |
| 13. 601868    | Sanitary tee                     |
| 14. 600065    | Flange, Floor, Threaded          |
| 15. 602072    | Tee-Sanitary Reducing 2X1.5X1.5  |
| 16. 601267-04 | Nipple 3" Threaded One 10" Long  |
| 17. 690700-01 | Vent cap cover, White            |

# 2022 GLOBETROTTER PLUMBING, TOILET

Toilet, 23FB, 30RB

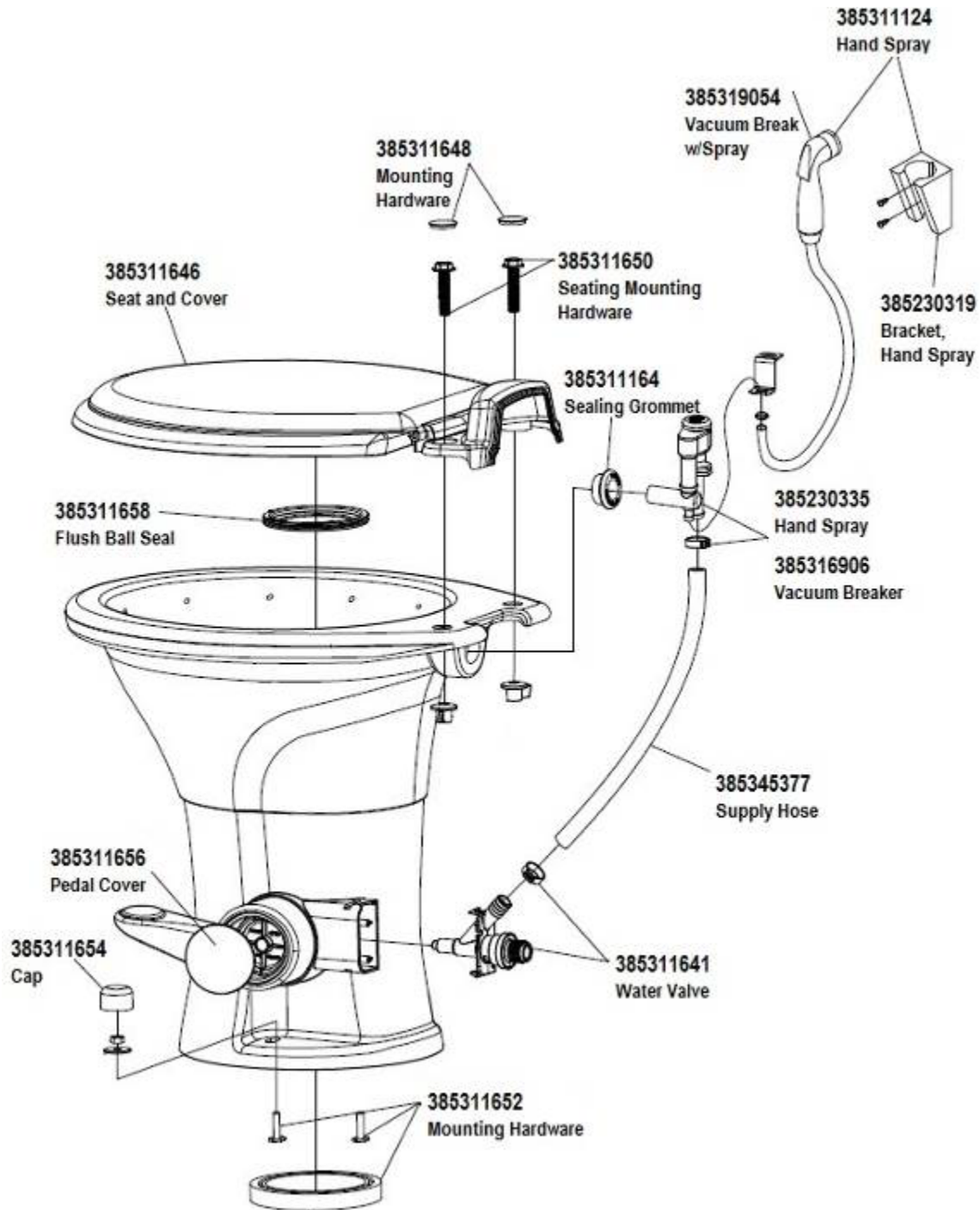
602334 Toilet, Thetford Aqua Magic Style II China  
 601266 Toilet flange, 3" x 4", Slip fit  
 602137 Shut-off valve



# 2022 GLOBETROTTER PLUMBING, TOILET

Toilet, 25FB, 27FB

690621-BOX Toilet, China, Dometic  
 601266 Toilet flange, Slip fit  
 602137 Shut off valve



Parts listed are Dometic part numbers



## 2022 GLOBETROTTER SEALERS AND GASKETS

### Sealers

360001	Sealant, Butyl
360002	Sealant, Vulkem, 11.5 oz. tube
360209	Sealant, Seam
360176	Sealant, Almond
360180	Sealant, Sika-Flex, Gray
365330-01	Sealant, RTV silicone, White
365330-02	Sealant, RTV silicone, Gray
365330-03	Sealant, RTV silicone, Aluminum Gray
365330-04	Sealant, RTV silicone, Black
365233-01	Sealant, 100% silicone, Clear

### Gaskets

365013-01	Gasket, Screen Door
365232	Gasket, Main door
382117	Gasket, Window seal
365016	Tape, Foam, Double face, .5" wide
685510	Seam tape, Rubber, Black
685510-01	Seam tape, Exterior metal, Rubber, .5", Black
365001	Tape, Double coated foam
382074	Gasket, Main door grab handle
382560	Gasket, Power jack switch
365367	Automotive foam tape
382737	Gasket, Compartment door closeout
195507-13	Gasket, Adhesive, Rubber, Windows

## 2022 GLOBETROTTER SEALERS AND GASKETS

### Gasket Kits

365336 Gasket Kit #1, not sold separately:

Exterior shower gasket, 1 Ea.  
City water fill gasket, 1 Ea.  
Step light gasket, 1 Ea.  
Awning lockdown (AS5 & AS7 Kit), 4 Ea.  
Lower awning foot (AS7 Kit), 4 Ea.  
Awning foot (Rear W/Pan Kit), 4 Ea.  
Lower awning foot (AS5 Kit), 4 Ea.

365337 Gasket Kit #2, not sold separately:

Small furnace exhaust/intake, 1 Ea.  
Gravity water fill, 1 Ea.  
Range vent gasket, 1 Ea.  
Awning lockdown (LW7 Kit), 4 Ea.  
Awning classic center post, 4 Ea.  
AEU BBQ point, 1 Ea.  
AEU upper indicator light, 2 Ea.  
AEU city water hookup, 1 Ea.

365338 Gasket Kit #3, not sold separately:

Scare light domestic units, 1 Ea.  
Black tank flush gasket, 1 Ea.  
Awning travel latch gasket, 4 Ea.  
AEU fog/backup lamp housing, 2 Ea.  
AEU fog/backup lamp bezel, 2 Ea.  
Scare light AEU units, 1 Ea.  
Awning hook gasket, 4 Ea.  
Awning prop foot gasket, 4 Ea.

## 2022 GLOBETROTTER BEDDING, MATTRESSES

### Pillow Kit, Barcelona Blue

704476-10	Pillow kit
704476-01	Pillow, 16 x 16, Mauve
704476-02	Pillow, 16 x 16, Silver Grey

### Pillow Kit, London Grey

704474-10	Pillow kit
704474-01	Pillow, 16 x 16, Nimbus
704474-02	Pillow, 16 x 16, Coal

### Pillow Kit, Copenhagen Cream

704478-10	Pillow kit
704478-01	Pillow, 16 x 16, Luggage
704478-02	Pillow, 16 x 16, MGRS 04

### Pillow Kit, Dublin Slate

704480-10	Pillow kit
704480-01	Pillow, 16 x 16, Cloud
704480-02	Pillow, 16 x 16, Meteor

## 2022 GLOBETROTTER BEDDING, MATTRESSES

### Mattresses

704578	Mattress Queen, W/Radius, 23FB, 25FB
704497	Mattress, Queen, Tuft & Needle, 27FB, 30RB
704498-01	Mattress, RS twin, 34 x 80
704498-02	Mattress, CS twin, 34 x 80
703987	Pillow, Bed plump poly fill

### Bedding, London Grey and Dublin Slate

704473-10	Bedding kit, Queen
704473-11	Bedding kit, Twin
704473-01	Bedsread, Queen
704473-06	Bed Spread, Twin
704473-02	Shams, 19 x 28
704473-03	Accent pillows, 12 x 20
704473-04	Throw, 18.5 x 77
704473-05	Throw, 18.5 x 52

### Bedding, Barcelona Blue

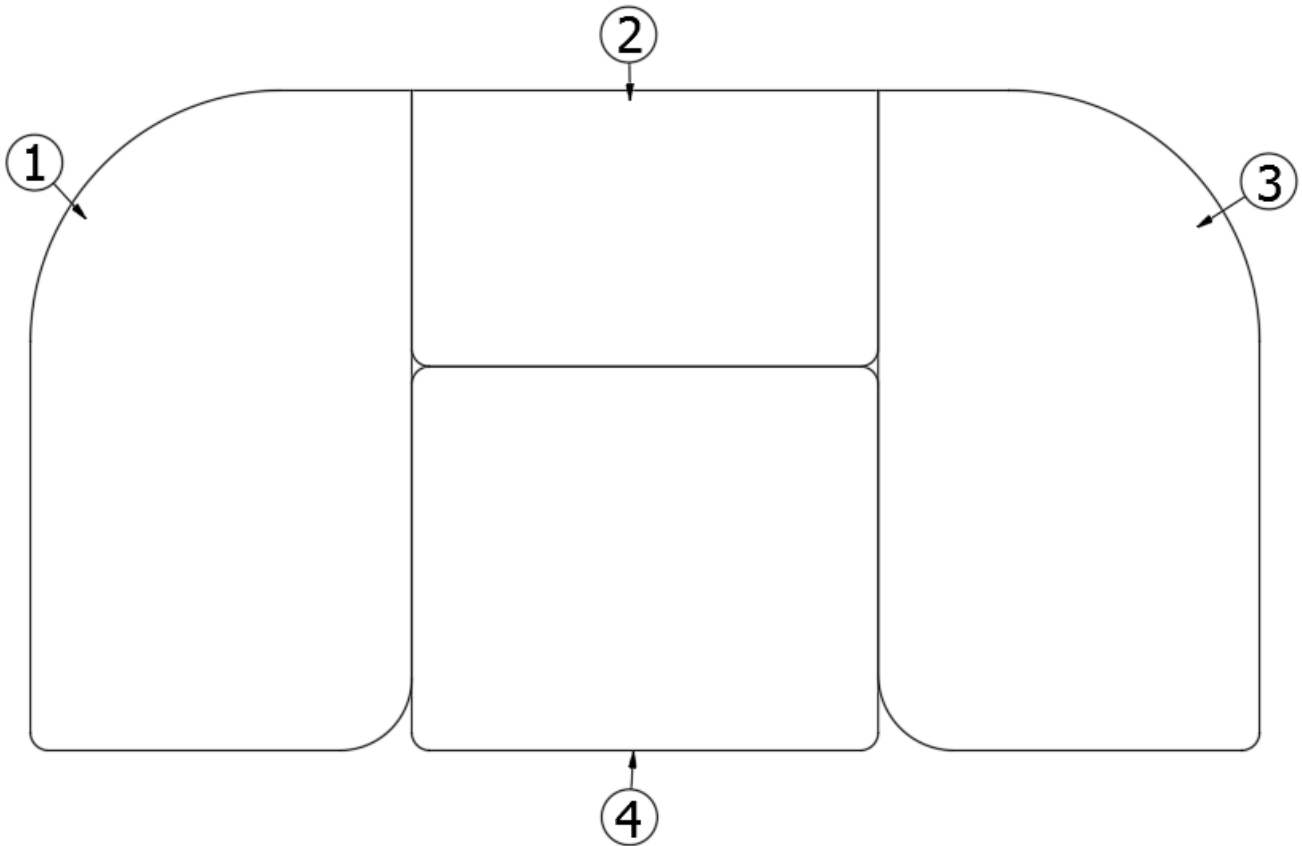
704475-10	Bedding kit, Queen
704475-11	Bedding kit, Twin
704475-01	Bedsread, Queen
704475-06	Bedsread, Twin
704475-02	Shams, 19 x 28
704475-03	Accent pillows, 12 x 20
704475-04	Throw, 18.5 x 77
704475-05	Throw, 18.5 x 52

### Bedding, Copenhagen Cream

704477-10	Bedding kit, Queen
704477-11	Bedding kit, Twin
704477-01	Bedsread, Queen
704477-06	Bedsread, Twin
704477-02	Shams, 19 x 28
704477-03	Accent pillows, 12 x 20
704477-04	Throw, 18.5 x 77
704477-05	Throw, 18.5 x 52

# 2022 GLOBETROTTER UPHOLSTERY, FOAM

## Dinette Cushions, 23FB



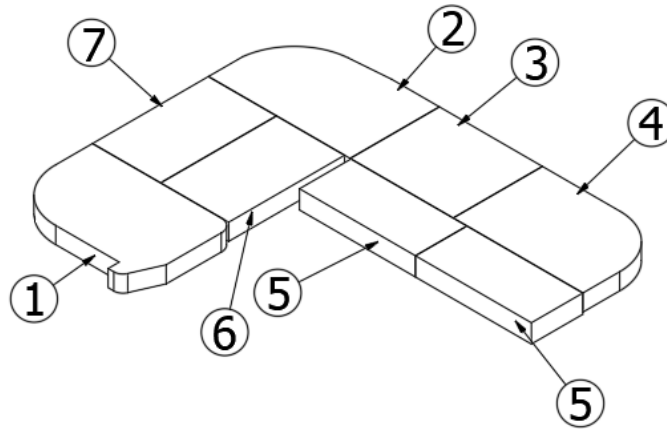
704589-1CC	Kit-Seating Vinyl Complete-Copenhagen Cream
704589-BB	Kit-Foam/Vinyl Barcelona Blue
704589-DS	Kit-Foam/Vinyl Dublin Slate
704589-LG	Kit-Foam/Vinyl London Grey

- |    |             |                         |
|----|-------------|-------------------------|
| 1. | 704589-x-01 | Forward Dinette Cushion |
| 2. | 704589-x-02 | Middle Dinette Cushion  |
| 3. | 704589-x-03 | Rear Dinette Cushion    |
| 4. | 704589-x-04 | Dinette Seat Filler     |

\*Substitute "LG", "BB", "1CC", or "DS" for "X" when ordering Ultraleather

# 2022 GLOBETROTTER UPHOLSTERY, FOAM

## Dinette Cushions, 25FB, 27FB



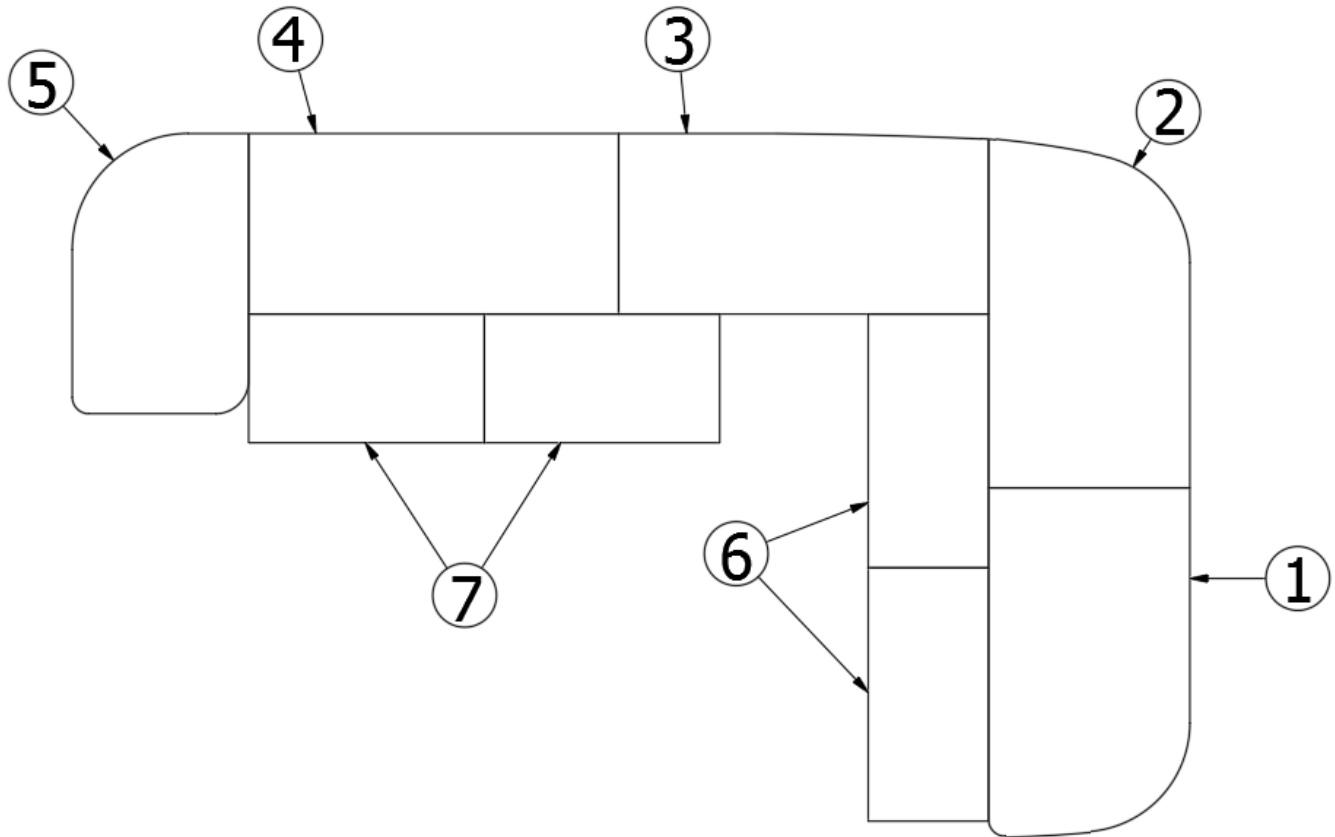
704829-1CC	Kit, Foam/Vinyl, Copenhagen Cream
704829-BB	Kit, Foam/Vinyl, Barcelona Blue
704829-DS	Kit, Foam/Vinyl, Dublin Slate
704829-LG	Kit, Foam/Vinyl, London Grey
704455	Kit, Foam for backrests

1. 704829x-01	CS dinette seat
2. 704829x-02	RS aft dinette seat
3. 704829x-03	RS middle dinette seat
4. 704829x-04	RS forward dinette seat
5. 704829x-05	Filler piece
6. 704829x-06	Filler piece
7. 704829x-07	Center Seat Cushion

\*Substitute "LG", "BB", "1CC", or "DS" for "X" when ordering Ultraleather

# 2022 GLOBETROTTER UPHOLSTERY, FOAM

## Lounge Cushions, 30RB

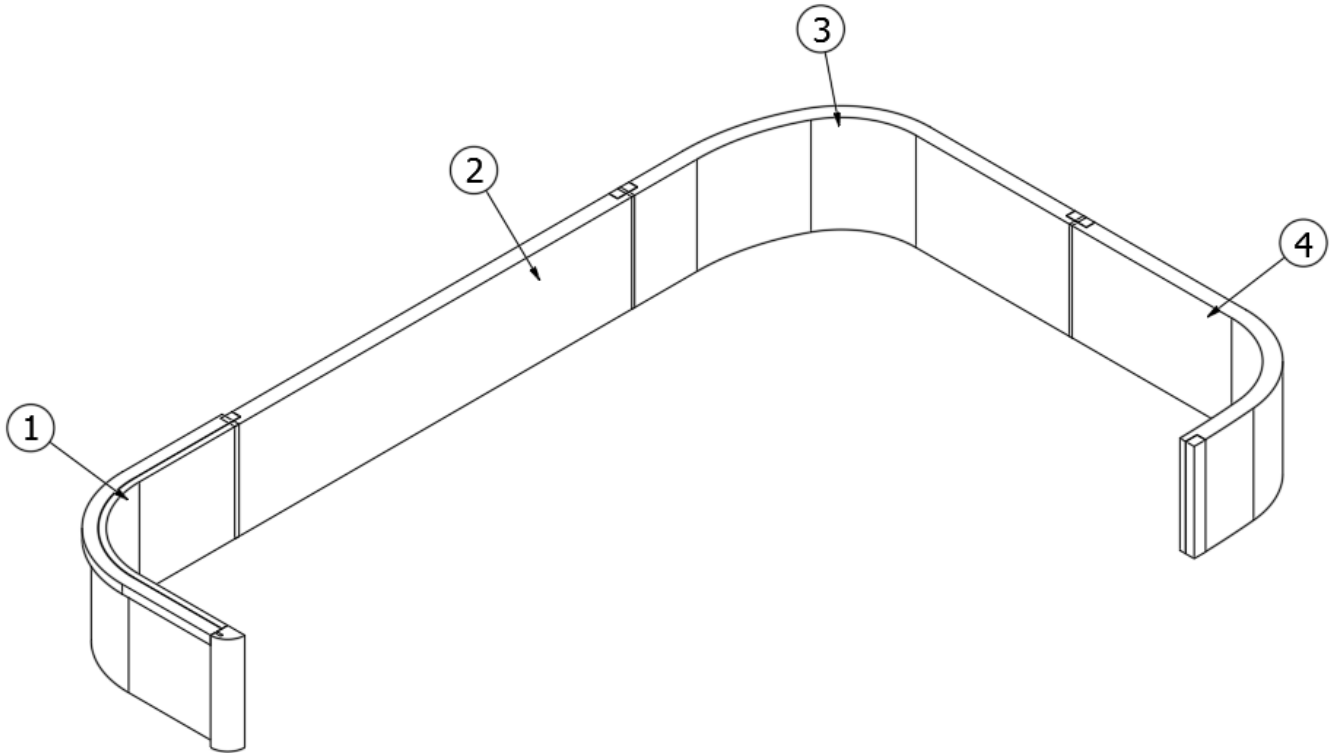


704703-1CC	Kit-Seating Vinyl Complete Copenhagen Cream
704703-BB	Kit-Seating Vinyl Complete Barcelona Blue
704703-DS	Kit-Seating Vinyl Complete Dublin Slate
704703-LG	Kit-Seating Vinyl Complete London Grey

- |    |           |                       |
|----|-----------|-----------------------|
| 1. | 704703-01 | Lounge Front Cushion  |
| 2. | 704703-02 | Lounge Corner Cushion |
| 3. | 704703-03 | Lounge RS Cushion     |
| 4. | 704703-04 | Lounge Wall Cushion   |
| 5. | 704703-05 | Dinette Cushion       |
| 6. | 704703-06 | Filler Piece          |
| 7. | 704703-07 | Filler Piece          |

# 2022 GLOBETROTTER UPHOLSTERY, FOAM

## Backrest Foam Kit, 30RB



704702 Kit-Foam For Backrest 30 RB GL

- |    |           |                        |
|----|-----------|------------------------|
| 1. | 704702-01 | Foam-Seat Back Dinette |
| 2. | 704702-02 | Foam-Seat Back Wall    |
| 3. | 704702-03 | Foam-Seat Back Corner  |
| 4. | 704702-04 | Foam-Seat Back Frt     |



# 2022 GLOBETROTTER UPHOLSTERY, FOAM

Décor Boards, Copenhagen Cream

## Globetrotter

Decor name:  
Copenhagen Cream



Laminate name: Black Walnut  
Laminate #: 802257-01 (Vert.)  
Edgeband: 365429  
Usage: Main furniture

802257 - Horizontal Grade  
Usage: Tabletop



Laminate name: Vanilla Xtreme Matte  
Laminate #: 802218-01  
Usage: Roof Lockers



Laminate name: Marfil Cream  
Laminate #: 802285  
Edgeband: 365431  
Usage: Lavy Top



Laminate name: Neutral Twill, PLEX  
Laminate #: 802256-01  
Usage: Bath wall accent



Flooring name: Compass,  
Napa 11163-2 Magolia  
Flooring #: 704482



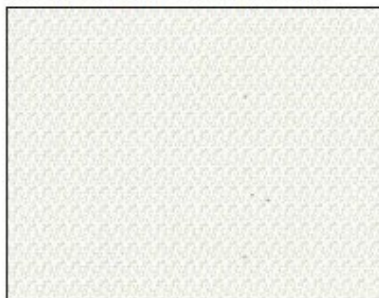
Countertop: Vernaro White  
Countertop #:



Awning: Tillman Shale Fabric  
Awning #: 704049-35



Upholstery name: Hitch, Avalanche  
Upholstery #: 704466  
Usage: Seat back, head board



Pillow Kit #: 704478

Contains:  
(3) 704478-01  
20" x 20" (Fabric 704469)  
(3) 704478-02  
20" x 20" (Fabric 704468)

Bedding Kit #: 704477

Contains:  
(1) 704477-01  
Bedspread (Fabric 704462)  
(2) 704477-02  
Shams (Fabric 704462)  
(2) 704477-03  
Accent Pillows (704467)  
(1) 704477-04  
Throw (704467)

# 2022 GLOBETROTTER UPHOLSTERY, FOAM

## Décor Boards, Dublin Slate

### Globetrotter

Decor name:  
Dublin Slate

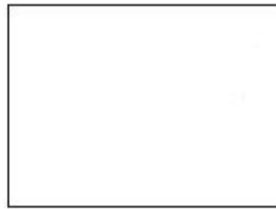


Laminate name: Black Walnut  
Laminate #: 802257-01 (Vert.)  
Edgeband: 365429  
Usage: Main furniture

802257 - Horizontal Grade  
Usage: Tabletop



Laminate name: Vanilla Xtreme Matte  
Laminate #: 802218-01  
Usage: Roof Lockers



Laminate name: Marfil Cream  
Laminate #: 802285  
Edgeband: 365431  
Usage: Lavy Top



Laminate name: Neutral Twill, PLEX  
Laminate #: 802256-01  
Usage: Bath wall accent



Flooring name: Compass,  
Napa 11163-2 Magolia  
Flooring #: 704482



Countertop: Vernaro White  
Countertop #:



Awning: Tillman Shale Fabric  
Awning #: 704049-35



Upholstery name: Hitch, Lead  
Upholstery #: 704470  
Usage: Seat back, head board



Pillow Kit #: 704480

Contains:  
(3) 704480-01  
20" x 20" (Fabric 704471)  
(3) 704480-02  
20" x 20" (Fabric 704472)

Bedding Kit #: 704473

Contains:  
(1) 704473-01  
Bedspread (Fabric 704457)  
(2) 704473-02  
Shams (Fabric 704457)  
(2) 704473-03  
Accent Pillows (704458)  
(1) 704473-04  
Throw (704458)

# 2022 GLOBETROTTER UPHOLSTERY, FOAM

## Décor Boards, London Grey Globetrotter

Decor name:  
London Grey



Laminate name: Natural Elm LG

Laminate #: 802252-01 (Vert.)

Edgeband: 365426

Usage: Main furniture

802252 - TX Horizontal Grade

Usage: Tabletop

Laminate name: Vanilla

Xtreme Matte

Laminate #: 802218-01

Usage: Roof Lockers

Laminate name: Citadel

Laminate #: 802254-01

Edgeband: 365427

Usage: Galley

Laminate name: Marfil Cream

Laminate #: 802285

Edgeband: 365431

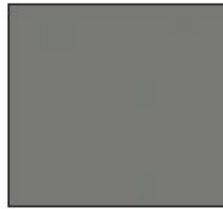
Usage: Lavy Top

Laminate name: Neutral

Twill, PLEX

Laminate #: 802256-01

Usage: Bath wall accent



Flooring name: Compass,

Paja-Beige 11164-3

Flooring #: 704481



Countertop: Vernaro White

Countertop #:



Awning: Tillman Shale Fabric

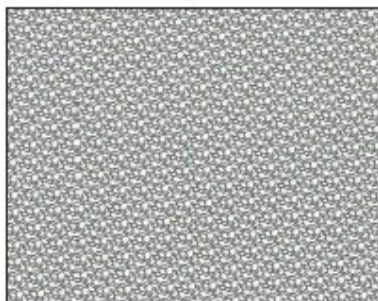
Awning #: 704049-35



Upholstery name: Hitch, Alloy

Upholstery #: 704456

Usage: Seat back, head board



Pillow Kit #: 704474

Contains:

- (3) 704474-01  
20" x 20" (Fabric 704459)
- (3) 704474-02  
20" x 20" (Fabric 704460)

Bedding Kit #: 704473

Contains:

- (1) 704473-01  
Bedspread (Fabric 704457)
- (2) 704473-02  
Shams (Fabric 704457)
- (2) 704473-03  
Accent Pillows (704458)
- (1) 704473-04  
Throw (704458)

# 2022 GLOBETROTTER UPHOLSTERY, FOAM

Décor Boards, Barcelona Blue

## Globetrotter

Decor name:  
Barcelona Blue



Laminate name: Natural Elm LG  
Laminate #: 802252-01 (Vert.)  
Edgeband: 365426  
Usage: Main furniture

Laminate name: Vanilla Xtreme Matte  
Laminate #: 802218-01  
Usage: Roof Lockers

Laminate name: Citadel  
Laminate #: 802254-01  
Edgeband: 365427  
Usage: Galley

Laminate name: Marfil Cream  
Laminate #: 802285  
Edgeband: 365431  
Usage: Lavy Top

Laminate name: Neutral Twill, PLEX  
Laminate #: 802256-01  
Usage: Bath wall accent

802252 - TX Horizontal Grade  
Usage: Tabletop



Flooring name: Compass, Paja-Beige 11164-3  
Flooring #: 704481



Countertop: Vernaro White  
Countertop #:



Awning: Tillman Shale Fabric  
Awning #: 704049-35



Upholstery name: Hitch, Vintage  
Upholstery #: 704461  
Usage: Seat back, head board



Pillow Kit #: 704476

Contains:  
(3) 704476-01  
20" x 20" (Fabric 704464)  
(3) 704476-02  
20" x 20" (Fabric 704465)

Bedding Kit #: 704475

Contains:  
(1) 704475-01  
Bedspread (Fabric 704462)  
(2) 704475-02  
Shams (Fabric 704462)  
(2) 704475-03  
Accent Pillows (704463)  
(1) 704475-04  
Throw (704463)

## 2022 GLOBETROTTER VENTS AND FANS

### Vent, Black Tank

690700-01	Vent pipe cover, White
382337	Gasket, Corlon, Vent Cap
380228	Wire hardware cloth

### Vent, Range

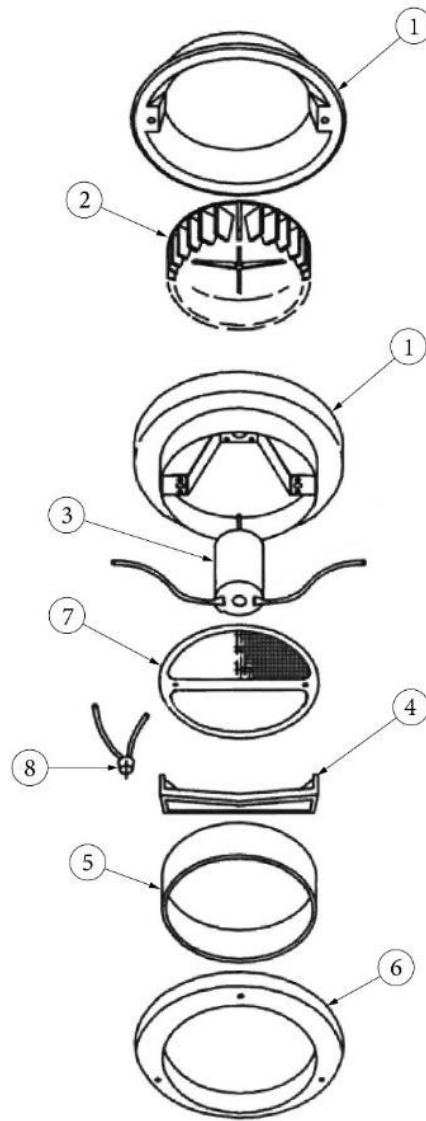
512210	Range hood, Baraldi, Stainless Steel
511017-11	Exterior vent, Gray
115175	Duct, Range exhaust transition
454590	Extension, Range vent

### Vent, Refrigerator

100341	Refrigerator roof vent collar, Large
101394	Cover, Refrigerator roof vent, Large
380228	Wire hardware cloth

## 2022 GLOBETROTTER VENTS AND FANS

### Exhaust Fan, Bath



690266-01

Power ventilator, 12V, white

1. 682182-01

Dome assembly, Roof, Clear

2. 682181-01

Blade, Fan

3. 682179

Motor, Fan

4. 682180

Handle

5. 690754-01

Shower vent ring, 4.25"

6. 690266-05

Garnish, Ceiling vent, 4"

7. 682183-03

Screen for ventilator

8. 682185

Switch, w/nut, ventilator fan, Red

690266-07

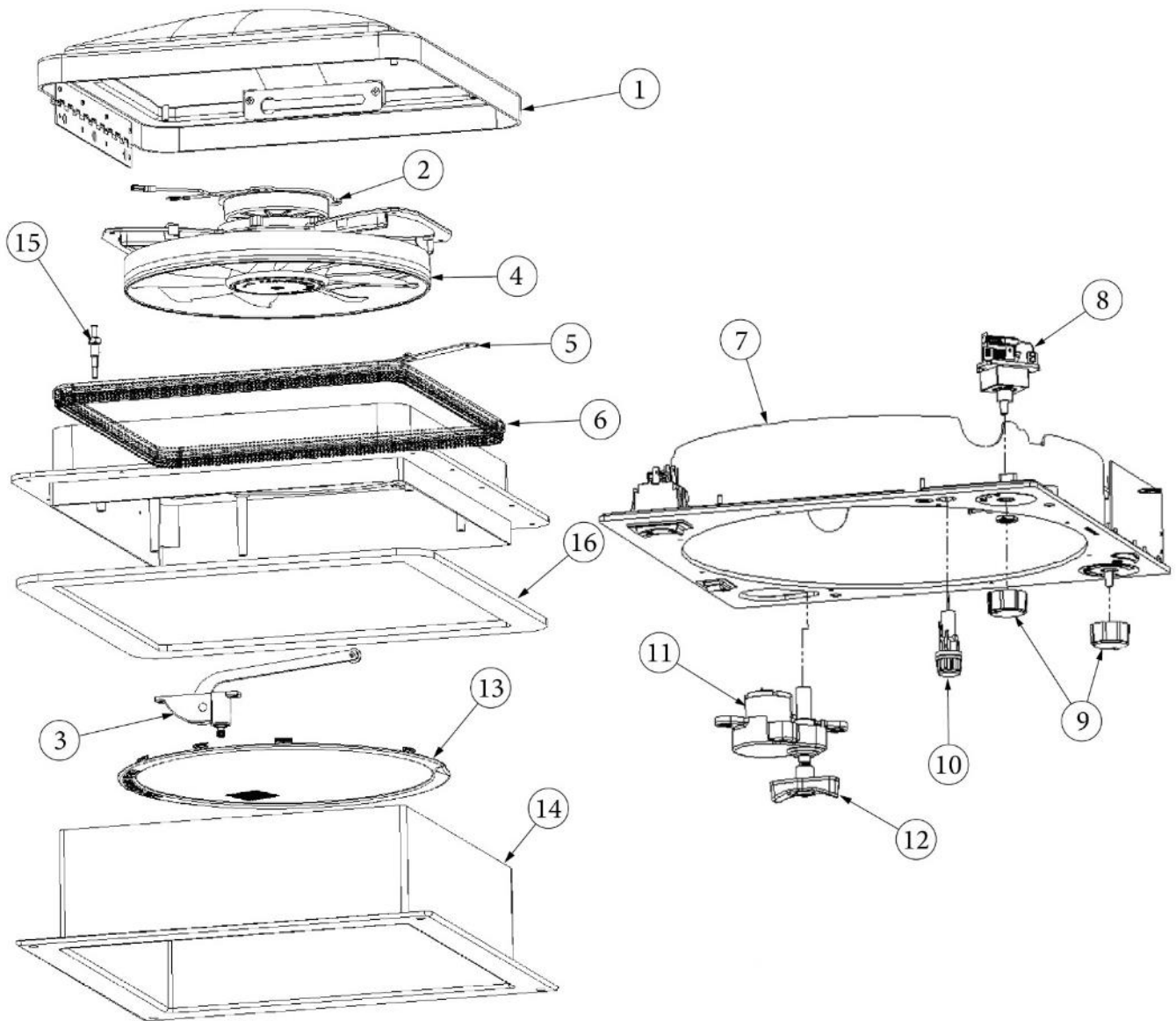
Trim ring, Bath exhaust, White

690266-08

Trim ring, Bath exhaust, Silver

# 2022 GLOBETROTTER VENTS AND FANS

## Vent Fan, Ceiling



Parts Listed on Next Page

## 2022 GLOBETROTTER VENTS AND FANS

### Vent Fan, Ceiling

382240	Exhaust vent, Fantastic fan
1. 381564-100	Dome, Polycarb, Smoke
2. 382240-103	Motor only, Vent fan
3. 381564-103	Lift arm, Dome
4. 513172-104	Fan blade, Vent fan
5. 381450-115	Rain sensor, Dome
6. 512538-102	Seal kit, Dome
7. 382240-106	Screen assembly
8. 382240-02	3-speed switch
9. 382288-103	Knob, Push-on, Black
10. 381450-110	Fuse and holder
11. 513172-101	Lift motor, Lift arm
12. 382288-104	Knob, Manual lift
13. 512538-010	Screen, Pop & lock
14. 513172-103	Trim ring, Grey, Vent
15. 381450-104	Light switch, Dome
16. 382467-01	Gasket, Exhaust fan



## 2022 GLOBETROTTER SKYLIGHTS

### Skylight, Lounge

381318-05	Skylight, 19.5" x 19.5"
704120-02	Shade, Skylight, 19.25 x 20, Grey
203785	Trim ring, 19" x 19"
115619	Mounting frame, 19 x 19

### Skylight, Bath

381318-06	Skylight, 14.5 x 22.5
704120-01	Shade, Skylight, 14.5 x 22.75, Grey
203786	Trim ring, 14 x 22, White
115620	Mounting frame, 14.5 x 22

## 2022 GLOBETROTTER PANELING, EDGEBANDING, LAUAN

### Paneling

801809	Laminate, Vertical, White Liner
801392	Pre-laminated panel, 12mm, White liner/White liner
801368	Pre-laminated panel, 18mm, White/White
802252	Laminate, Horizontal, Natural Elm
802252-01	Laminate, Vertical, Natural Elm
802253	Pre-Laminated panel, 18mm, Blk Walnut hor/White Liner vertical
802254-01	Laminate, Vertical, Citadel
802285	Laminate, Horizontal, Marfil Cream
802263	Pre-laminate, Marfil Cream Horz/Wht Liner Vert 18MM
802256-01	Laminate, Vertical, Neutral Twill
802257	Laminate, Horizontal, Black Walnut
802257-01	Laminate, Vertical, Black Walnut
802218	Laminate-soft white extreme matt
802261	Pre-Laminated panel, 18mm, Black Walnut/White Liner vertical
802262	Pre-Laminated panel, 18mm, Black Walnut/Black Walnut vertical
802264	Pre-Laminated panel, 12mm, Neutral Twill/White Liner vertical
802265	Pre-Laminated panel, 12mm, Neutral Twill/Black Walnut vertical
802266	Pre-Laminated panel, 12mm, Black Walnut/Black Walnut vertical
802267	Pre-Laminated panel, 12mm, Black Walnut/White Liner vertical
802268	Pre-Laminated panel, 18mm, Natural Elm/White Liner vertical
802269	Pre-Laminated panel, 18mm, Natural Elm/Natural Elm vertical
802270	Pre-Laminated panel, 18mm, Citadel/White Liner vertical
802271	Pre-Laminated panel, 12mm, Natural Elm/White Liner vertical
802272	Pre-Laminated panel, 12mm, Natural Elm/Natural Elm
802273	Pre-Laminated panel, 12mm, Citadel/White Liner vertical
802274	Pre-Laminated panel, 12mm, Neutral Twill/Natural Elm vertical
802275	Panel, 12mm w/special grooves, Soft White
802276	Pre-Laminated panel, 18mm, Natural Elm hor/White Liner vert
802281	Pre-Laminated panel, 12mm, Soft White/Backer
801438	Pnl-Prelam White Vinyl/Raw 2.7MM

# 2022 GLOBETROTTER

## PANELING, EDGEBANDING, LAUAN

### Edgebanding

365426-01	Edgebanding, .63", Natural Elm
365426-02	Edgebanding, .94", Natural Elm
365426-03	Edgebanding, 1.25", Natural Elm
365427-01	Edgebanding, .63", Citadel
365427-02	Edgebanding, .94", Citadel
365429-01	Edgebanding, .63", Black Walnut
365429-02	Edgebanding, .94", Black Walnut
365429-03	Edgebanding, 1.25", Black Walnut
365472-02	Edgeband 15/16 2MM Black Walnut
365473-02	Edgeband 15/16 2MM Natural Elm
365431-02	Edgeband-15/16" Marfil Cream
365474-02	Edgeband 15/16 2MM Marfil Cream
365386-01	Edgebanding, Linen, 5/8"
365386-02	Edgebanding, Linen, 15/16"

### Lauan

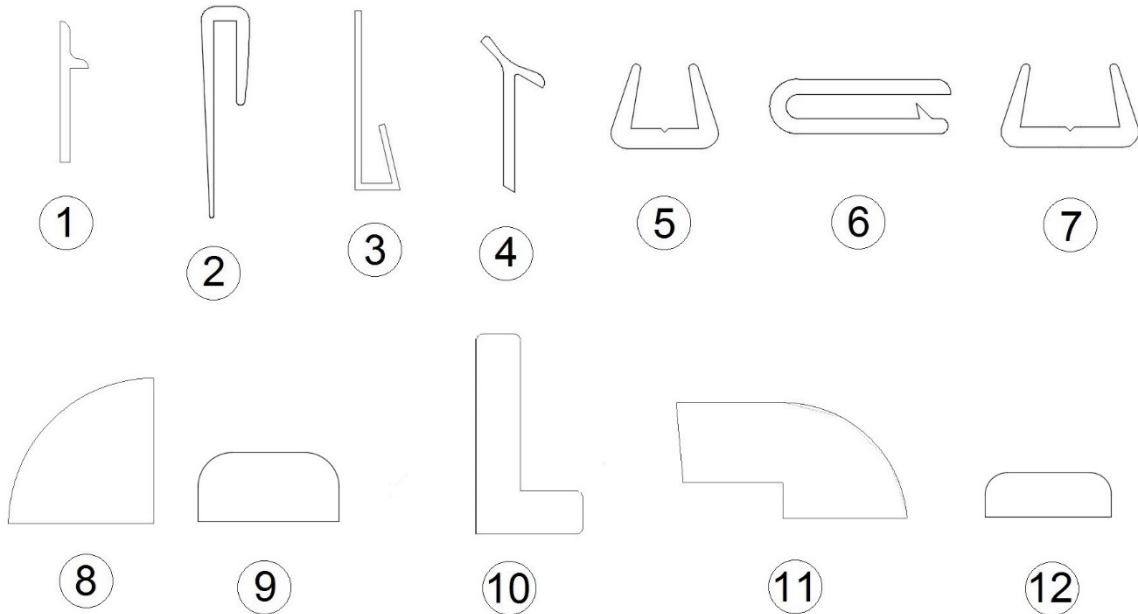
800507-01	Lauan, 1/8 x 4' x 8'
800507-02	Lauan, 1/4" x 4' x 8', Raw/Raw
800507-03	Lauan, 3/8" x 4' x 8', Raw/Raw
800507-06	Lauan, .75" x 4' x 8'
801438	Lauan, 2.7mm, Frost White Vinyl/Raw

### Plywood

800506-04	Plywood, 1/2" x 4' x 8'
801351	Lite Ply, 18mm (.75") 4' x 8'
801345	Radius plywood, .75" x 3" x 8'
801347	Plywood, .75" x 6" x 8'
801348	Radius plywood, .75" x 8" x 6'

# 2022 GLOBETROTTER TRIMS

Trim



- |                 |   |
|-----------------|---|
| 1. 115064       | Trim, Aluminum counter top                |
| 2. 114070       | J-molding, Mill finish                    |
| 3. 201666-01    | J-molding, 3/16", Plastic, White          |
| 4. 201673       | Cove Molding, Ivory, Plastic              |
| 201673-05       | Molding-Reverse Cove Chestnut Brown       |
| 201673-04       | Cove Moulding-Hol Wht                     |
| 5. 203138-03    | Extrusion, Panel edging, Beige            |
| 203138-08       | Extrusion, Panel edging, Chestnut Brown   |
| 6. 203225-01    | Trim lock, .75", Gray                     |
| 7. 203464-02    | Extrusion, Panel, .75", Beige             |
| 203464-06       | Extrusion, Panel, .75", Chestnut Brown    |
| 8. 800638-0140  | Molding, 1/4 round, .5", Black Walnut     |
| 800638-0141     | Molding, 1/4 round, .5", Natural Elm      |
| 9. 800571-0140  | Hardwood flat molding, .52", Black Walnut |
| 800571-0141     | Hardwood flat molding, .52", Natural Elm  |
| 10. 801665-0040 | Molding-L Door Jamb Blk Walnut            |
| 801665-0041     | Molding-Door Jamb Elm                     |
| 11. 801706-0040 | Corner trim, 90°, 1" radius, Black Walnut |
| 801706-0041     | Corner trim, 90°, 1" radius, Natural Elm  |
| 12. 800572-0140 | Hardwood flat molding, .72", Black Walnut |
| 800572-0141     | Hardwood flat molding, .72", Natural Elm  |
| 203445          | T-molding, 9/16", Black                   |
| 203445-05       | T-molding, 9/16", White                   |
| 203445-06       | T-molding, 9/16", Chestnut Brown          |
| 203445-01       | T-Molding - .5625" White                  |
| 382057-04       | Cap-Knockdown Wht #16387                  |
| 203440          | T Molding-Black Embossed .8125"           |
| 203985          | Molding-T Flexible 13/16" Hol White       |