

adventure, inspired by  
 **AIRSTREAM**

# **2022 Bambi Parts Book**





# 2022 BAMBİ

## SECTION I

### APPLIANCES

<u>Air Conditioner</u> .....	I-1
<u>Air Conditioner Drain Kit</u> .....	I-1
<u>Furnace</u> .....	I-1
<u>Water Heater</u> .....	I-2
<u>Microwaves</u> .....	I-2
<u>Range and Cooktop</u> .....	I-2
<u>Refrigerators</u> .....	I-2

### EXTERIOR SHELL

<u>Front End, All Lengths</u> .....	I-3
<u>Aft End, 16'</u> .....	I-5
<u>Aft End, 19'</u> .....	I-7
<u>Aft End, 20'</u> .....	I-9
<u>Aft End, 22'</u> .....	I-11
<u>Wall, RS, 16'</u> .....	I-13
<u>Wall, CS, 16'</u> .....	I-15
<u>Wall, RS, 19'</u> .....	I-17
<u>Wall, CS, 19'</u> .....	I-19
<u>Wall, RS, 20'</u> .....	I-21
<u>Wall, CS, 20'</u> .....	I-23
<u>Wall, RS, 22'</u> .....	I-25
<u>Wall, CS, 22'</u> .....	I-27
<u>Roof</u> .....	I-29
<u>Underbelly Skin and Wraps</u> .....	I-29
<u>Wheel Wells</u> .....	I-29

### INTERIOR SHELL

<u>Interior Skin</u> .....	I-30
<u>Wheel Well Insulator</u> .....	I-30
<u>Main Door Threshold</u> .....	I-30

# 2022 BAMBİ

## SECTION II

### CHASSIS

<u>Axles</u> .....	II-1
<u>Tires and Wheels</u> .....	II-1
<u>Spare Tire Carrier</u> .....	II-1
<u>Entry Step</u> .....	II-1
<u>Hose Carrier</u> .....	II-1
<u>Hitch Coupler</u> .....	II-1
<u>Hitch Jack</u> .....	II-1
<u>Stabilizing Jacks</u> .....	II-1

### DECALS, EXTERIOR TRIM

<u>Decals, Logos, and Nameplates</u> .....	II-2
<u>Belt Line Trim</u> .....	II-2
<u>Rub Rail Trim</u> .....	II-2
<u>Reflectors</u> .....	II-2

### DOORS, WINDOWS, AWNINGS

<u>Main Door, LH Hinge</u> .....	II-3
<u>Main Door, RH Hinge</u> .....	II-5
<u>Screen Door</u> .....	II-7
<u>Access Doors</u> .....	II-9
<u>Windows and Screens</u> .....	II-10
<u>Window Stone Guards</u> .....	II-11
<u>Window Trim</u> .....	II-12
<u>Panoramic Window Trim</u> .....	II-12
<u>Awnings</u> .....	II-13

### CURTAINS AND BLINDS

<u>Curtains and Blinds</u> .....	II-14
<u>Curtains and Blinds Hardware</u> .....	II-18



# 2022 BAMBI

## SECTION II

### ELECTRICAL

#### 110 Volt

<u>Shore Line Cord</u> .....	II-19
<u>Converter</u> .....	II-19
<u>Breakers</u> .....	II-19
<u>Junction Boxes</u> .....	II-19
<u>Receptacles</u> .....	II-19

#### 12 Volt

<u>Battery and Battery Box</u> .....	II-20
<u>Airstream Power Plus</u> .....	II-20
<u>7-Way Cable</u> .....	II-20
<u>Switches and USB Ports</u> .....	II-20
<u>Battery Disconnect</u> .....	II-21
<u>Breakaway Switch</u> .....	II-21
<u>Monitor System</u> .....	II-21
<u>Breakers</u> .....	II-21
<u>Fuses</u> .....	II-21
<u>Solar Panel System</u> .....	II-21
<u>Interior Lights</u> .....	II-22
<u>Exterior Lights</u> .....	II-22
<u>Tail Light Assembly</u> .....	II-22
<u>Wireless Backup Camera</u> .....	II-22

### ENTERTAINMENT

<u>Audio</u> .....	II-23
<u>Video</u> .....	II-23
<u>TV Install</u> .....	II-24

# 2022 BAMBİ

## SECTION III

### FLOOR COVERING

<u>Floor Mats</u> .....	III-1
<u>Flooring</u> .....	III-1

### FURNITURE

#### INTERIOR DOORS

<u>Roof Lockers</u> .....	III-2
<u>Foldette</u> .....	III-2
<u>Shower</u> .....	III-2
<u>Drawer Slides</u> .....	III-2

#### BEDROOM

<u>Beds</u> .....	III-3
<u>Privacy Panels</u> .....	III-11
<u>Hampers and Headboard</u> .....	III-15
<u>Wardrobes</u> .....	III-19
<u>Roof Lockers</u> .....	III-26

#### LAVATORY

<u>Bath Module</u> .....	III-28
<u>Bath Panels</u> .....	III-36
<u>Lavatory Cabinets</u> .....	III-38
<u>Medicine Cabinet</u> .....	III-44

# 2022 BAMBİ

## SECTION III

### GALLEY

<u>Galley 16'</u> .....	III-45
<u>Galley 19'</u> .....	III-48
<u>Galley 20'</u> .....	III-55
<u>Galley 22'</u> .....	III-62
<u>Roof Lockers</u> .....	III-69

### LOUNGE

<u>Dinette Seats, 16', 19'</u> .....	III-81
<u>Dinette Seats, 19'</u> .....	III-83
<u>Dinette Seats, 20'</u> .....	III-84
<u>Dinette Seats, 22'</u> .....	III-86
<u>Dinette Tables</u> .....	III-89

### HARDWARE

<u>Main Door Lock</u> .....	III-91
<u>Exterior Latches, Locks, and Handles</u> .....	III-93
<u>Interior Latches and Handles</u> .....	III-94
<u>Head knocker, Rubber Bumpers, and Screw Caps</u> .....	III-95
<u>Interior Hinges</u> .....	III-95
<u>Exterior Hinges</u> .....	III-95
<u>Bathroom Accessories</u> .....	III-96
<u>Clothesline</u> .....	III-96
<u>Wardrobe Clothes Rod</u> .....	III-96
<u>Key Holder</u> .....	III-96
<u>Awning Hardware</u> .....	III-97
<u>Rivets</u> .....	III-99
<u>Screws</u> .....	III-99

### SAFETY EQUIPMENT

<u>Detectors and Fire Extinguishers</u> .....	III-100
---	---------

### LABELS AND TAGS

<u>Labels and Tags</u> .....	III-101
------------------------------	---------

# 2022 BAMBI

## SECTION IV

### PLUMBING

#### LPG SYSTEM

<u>LP Tanks and Regulator</u> .....	IV-1
<u>LP Tank Cover</u> .....	IV-1
<u>LPG Systems</u> .....	IV-2

#### FRESH WATER

<u>Faucets</u> .....	IV-6
<u>City Water Hook-Up</u> .....	IV-6
<u>Fresh Water Tank Fill</u> .....	IV-6
<u>Water Pump</u> .....	IV-6
<u>Fresh Water Tanks</u> .....	IV-6
<u>Fresh Water Fittings</u> .....	IV-7
<u>Fresh Water Lines</u> .....	IV-8
<u>Winterization Kit</u> .....	IV-12

#### DRAIN SYSTEM

<u>Sinks and Shower</u> .....	IV-13
<u>Black and Grey Tanks</u> .....	IV-13
<u>Black Tank Flush</u> .....	IV-13
<u>Drain, Above Floor</u> .....	IV-14
<u>Tank Drains</u> .....	IV-21
<u>Drain Fittings</u> .....	IV-25
<u>Toilets</u> .....	IV-26

#### SEALERS AND GASKETS

<u>Sealers</u> .....	IV-27
<u>Gaskets</u> .....	IV-27

# 2022 BAMBI

## SECTION IV

### BEDDING, MATTRESSES

<u>Pillow Kits</u> .....	IV-28
<u>Mattresses</u> .....	IV-28

### UPHOLSTERY, FOAM, CUSHIONS

<u>Dinette Seat Cushion Kits, 16', 19'</u> .....	IV-29
<u>Dinette Seat Cushion Kits, 20'</u> .....	IV-30
<u>Dinette Seat Cushions Kits, 22'</u> .....	IV-31
<u>Décor Boards</u> .....	IV-32

### VENTS AND FANS

<u>Vent, Black Tank</u> .....	IV-34
<u>Vent, Roof</u> .....	IV-34
<u>Exhaust Fan</u> .....	IV-34

### PANELING, EDGEBANDING, LAUAN

<u>Plywood</u> .....	IV-35
<u>Paneling</u> .....	IV-35
<u>Edgebanding</u> .....	IV-36
<u>Lauan</u> .....	IV-36

### TRIMS

<u>Trim</u> .....	IV-37
-------------------	-------



## 2022 BAMBI APPLIANCES

### Air Conditioners

690323-46	Air conditioner, 13,500 BTU
690323-480	Shroud, Air conditioner
690323-50	Heat strip standard
690323-51	Air box, Return grill

### Air Conditioner Drain Kit

203724	Kit, A/C drain
203722	Gasket, A/C drain

### Furnace

511228	Thermostat, Off White
690731-01	Furnace 12,000 Btu W/Ext Door, 16'
690731-02	Furnace 16,000 Btu W/Ext Door, 19'
690731-03	Furnace 18,000 Btu W/Ext Door, 20', 22'
690731-04	Direct Vent Kit W/Int Door, 16'
690731-0100	Sail switch, 16'
968186	Stand Assy - Furnace NB TT
116201	Cover-Furnace Door Aluminum
690746-01	Bezel-Cosmetic - Furnace Door
690746-02	Foam Gasket/Bezel
600247	Hose, 4", Flex heat duct
600193	Hose, 2", Flex heat duct
600526	Flange, 4"
602394-01	Register w/ 4" duct
602394-02	Adaptor, 2", White
601348	Tee, Heat duct

## 2022 BAMBI APPLIANCES

### Water Heater

690769-01	Water Heater, Tankless, Girard
690769-02	Control Panel
690769-03	Water heater door, Grey
382742	Gasket kit, Water heater
116308-1	Bracket, Water heater
116308-2	Bracket, Angled, Water heater
965935	Water heater stand, 16'
967194	Water heater stand, 19', 20', 22FB

### Microwaves

690648-03	Microwave, .7 CF, Contoure, Stainless Steel
690648-04	Microwave Bezel, Flush Mount
690758	Microwave Contoure 1.0CF RV BLK
690758-01	Trim Kit-FOR 690758 M/W

### Range and Cooktop

690784	Cooktop, Two Burner, Suburban
690784-100	Decal, Black Suburban Logo (decal around knobs)

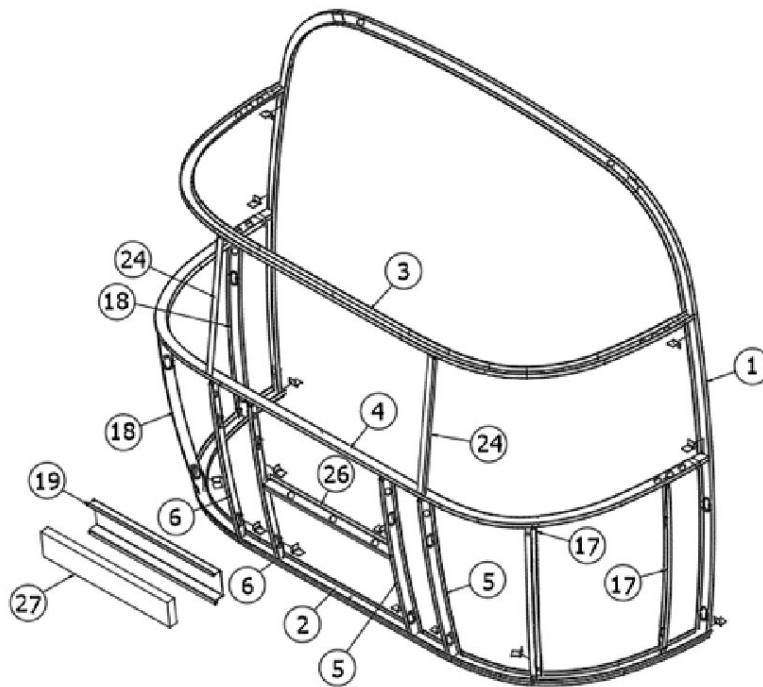
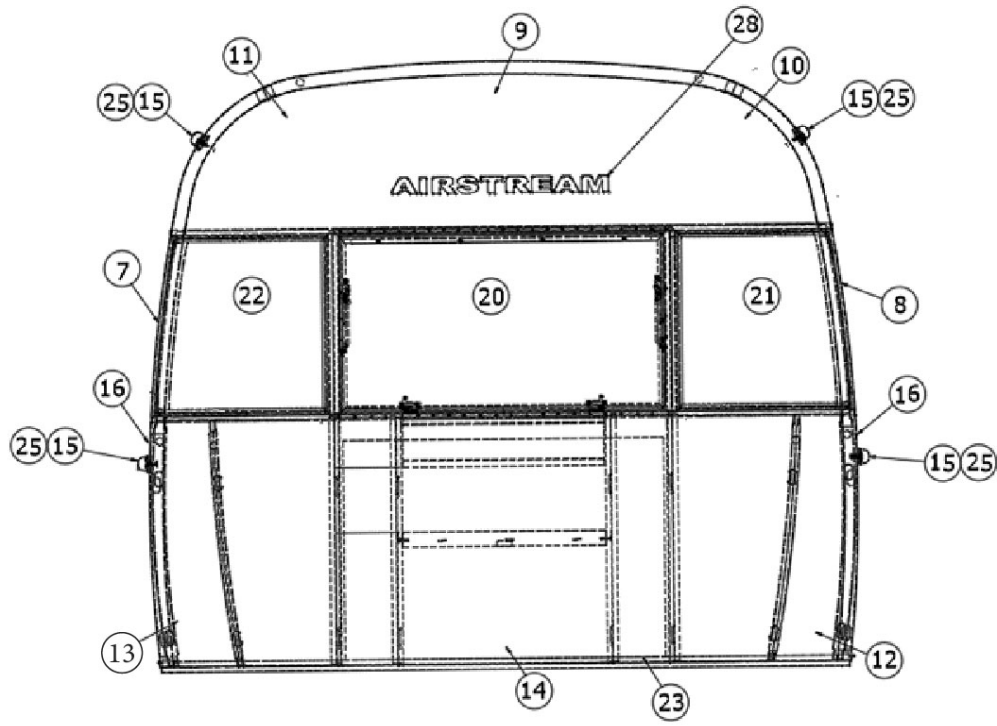
### Refrigerators

690749-01	Refrigerator RH, Novakool, 3.1 CF, 16'
115166-08	Insert, Refer panel
690789-01	Refrigerator, Nova Kool, 4.3 CU. FT, 19'
690789	Refrigerator, Nova Kool, 4.3 CU. FT, 20', 22'
114879-05	Refer insert panel, 28 x 19.625
386206	Louvered vent



# 2022 BAMBI EXTERIOR SHELL

Front End, All Lengths



Parts Listed on Next Page

## 2022 BAMBI EXTERIOR SHELL

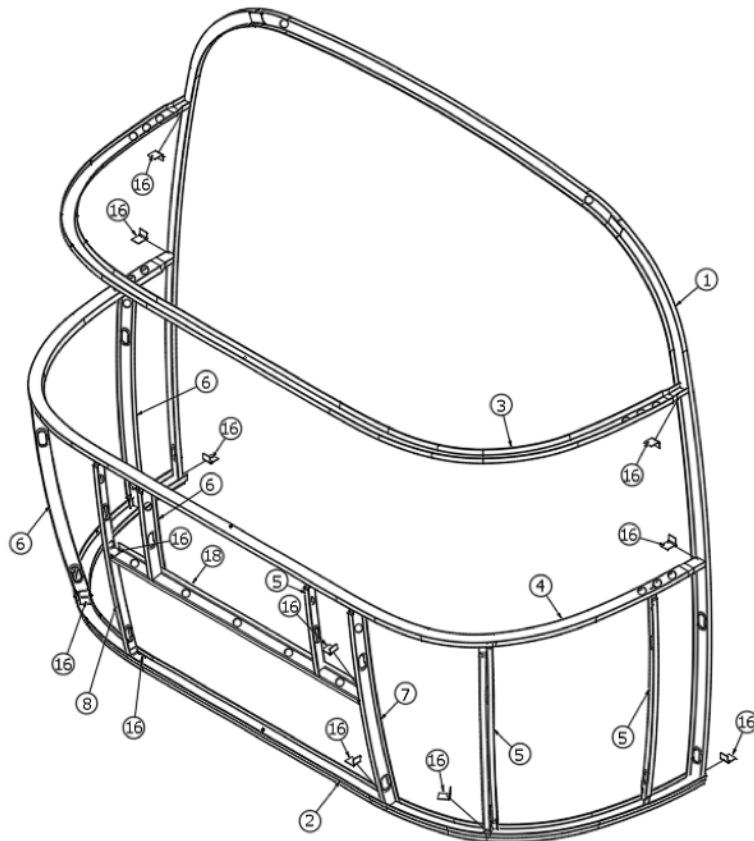
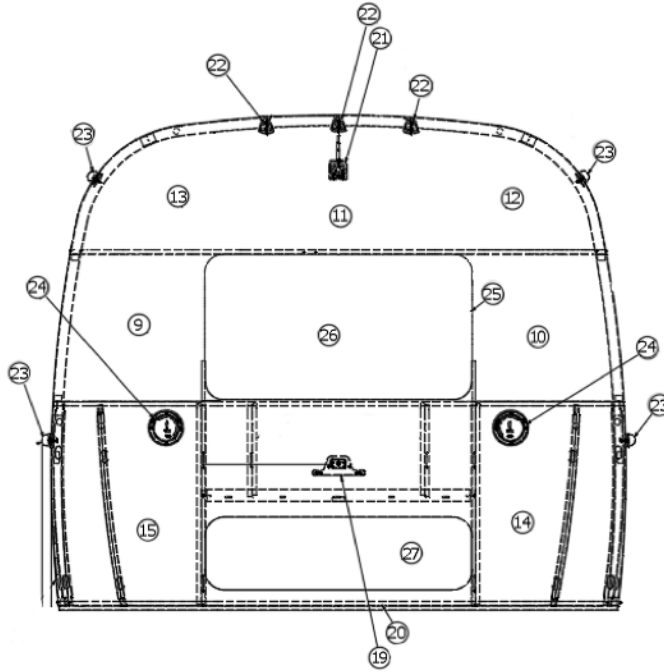
### Front End, All Lengths

923431 Front End Shell

1. 114994 Weldment, 0 Bow, Narrow body
2. 104463 Floor Bow, Narrow Body
3. 115480 Upper Window Bow, Narrow Body
4. 104343 Lower Window Bow, Narrow Body
5. 114505-01 Support, Lower end shell LH
6. 114505-02 Support, Lower End shell, RH
7. 114888 Segment-Center Left "Bright"
8. 114889 Segment-Center Right "Bright"
9. 114892 Segment #25 Narrow Bright
10. 114890 Segment-#26 "Bright"
11. 114891 Segment-#27 "Bright"
12. 114894 Segment-#28 "Bright"
13. 114895 Segment-#29 "Bright"
14. 116039 Exterior Plate - Front End Shell
15. 512859 Clearance Light, Amber
16. 115699 End shell backer plate
17. 101315-01 Brace, Vertical, Rear LH
18. 101315-02 Brace, Vertical, Rear RH
19. 453629 Hat Section, Table Support
20. 371328 Window, Flat Narrow body Front
21. 372088 Window Corner Wrap RS Front
22. 372089 Window Corner Wrap CS Front
23. 116040 Narrow Body, Front liner
24. 454910 Support, Wrap Window
25. 382389 Clearance light Gasket
26. 116037 Z-Bar Horizontal Frame 27.25"
27. 204059 Styrofoam block, Hat Section
28. 386205-01 AIRSTREAM, Black Chrome

# 2022 BAMBI EXTERIOR SHELL

Aft End, 16'



Parts Listed on Next Page

## 2022 BAMBI EXTERIOR SHELL

Aft End, 16'

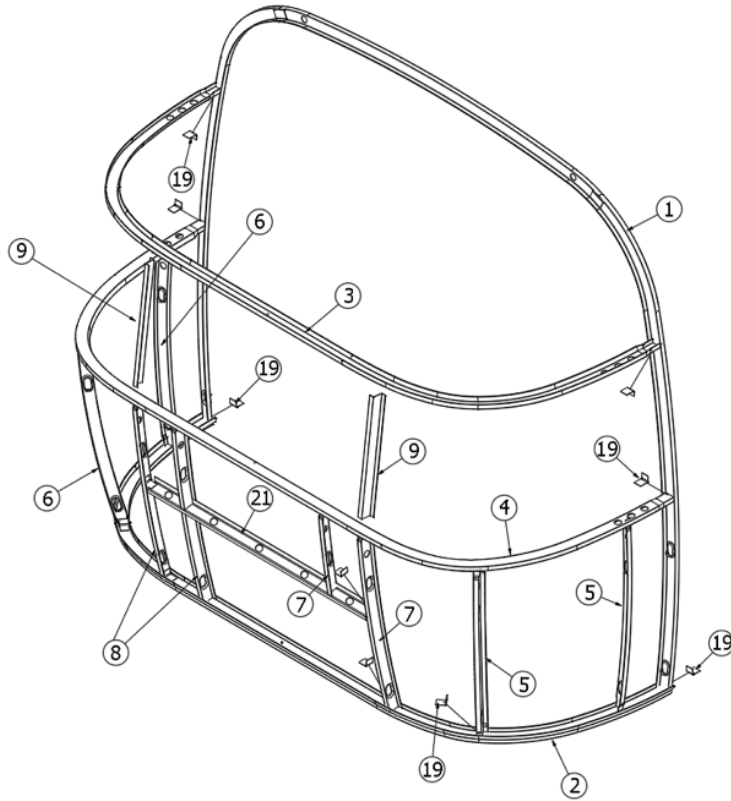
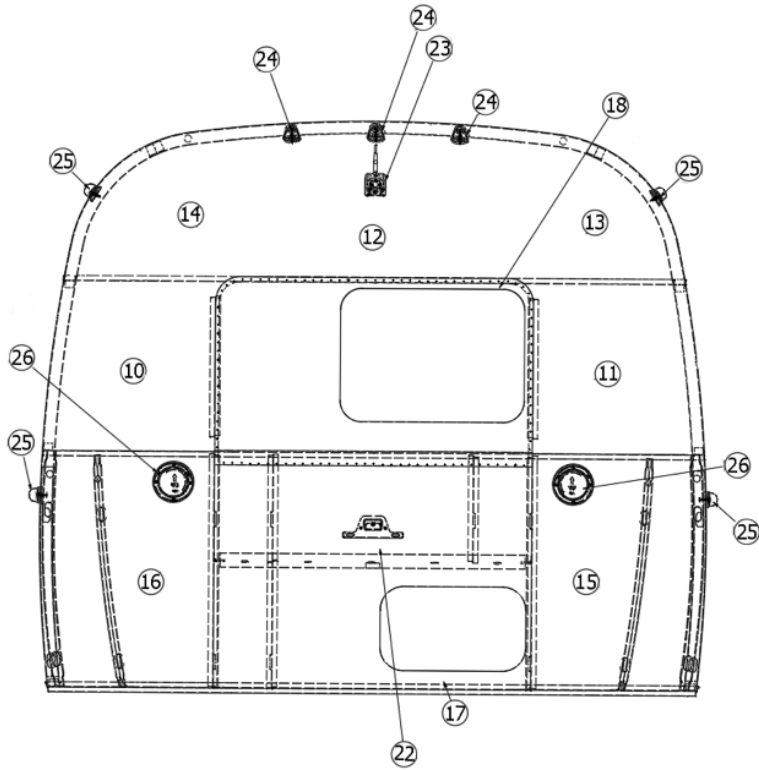
923429

Aft End Shell, 16'

1. 114994	Zero bow, NB
2. 104463	Floor bow, NB
3. 115480	Upper window bow
4. 104343	Lower window bow
5. 101315-01	Brace, Vertical Rear, LH
6. 101315-02	Brace, Vertical Rear, RH
7. 114505-01	Support, Lower End Shell, LH
8. 114505-02	Support, Lower End Shell, RH
9. 114888	Segment, Center left
10. 114889	Segment, Center right
11. 114892	Segment, #25 narrow
12. 114890	Segment, #26
13. 114891	Segment, #27
14. 114894	Segment, #28
15. 114895	Segment, #29
16. 114813-01	Angle-1.00 x 1.25 x 1.50
17. 115699	End Shell Backer Plate
18. 116038	Z-Bar Horizontal Frame
19. 512409	Holder-License Plate Led Blk, Plastic
20. 116120	Exterior Plate-Rear Lower-Large Door
21. 512946-01	Observation System-Digital Wireless Kit
365392	Gasket-Backup Camera
22. 512928	Light-Clearance W/Curved Bezel
23. 512860	Light-Clearance Red
382389	Gasket-Clearance Light
24. 511860-01	Light-4" LED
513099	Bezel, 4" Chrome W/Visor
381873	Gasket - Taillight
25. 112506-16	Trim Ring-Window 44 x 24.19
26. 371426-02	Window - 44 x 24.25 Vert. Egr. Silver
27. 923468-01	Compartment Door-Large, Assy
204061-5	Wrap, Underbelly center rear

# 2022 BAMBI EXTERIOR SHELL

Aft End, 19'



Parts Listed on Next Page

## 2022 BAMBI EXTERIOR SHELL

Aft End, 19'

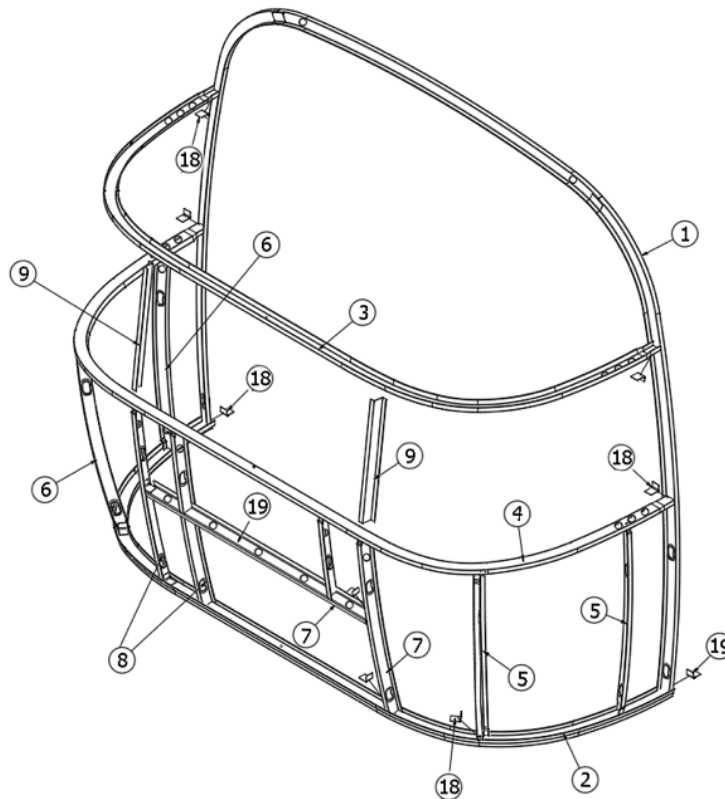
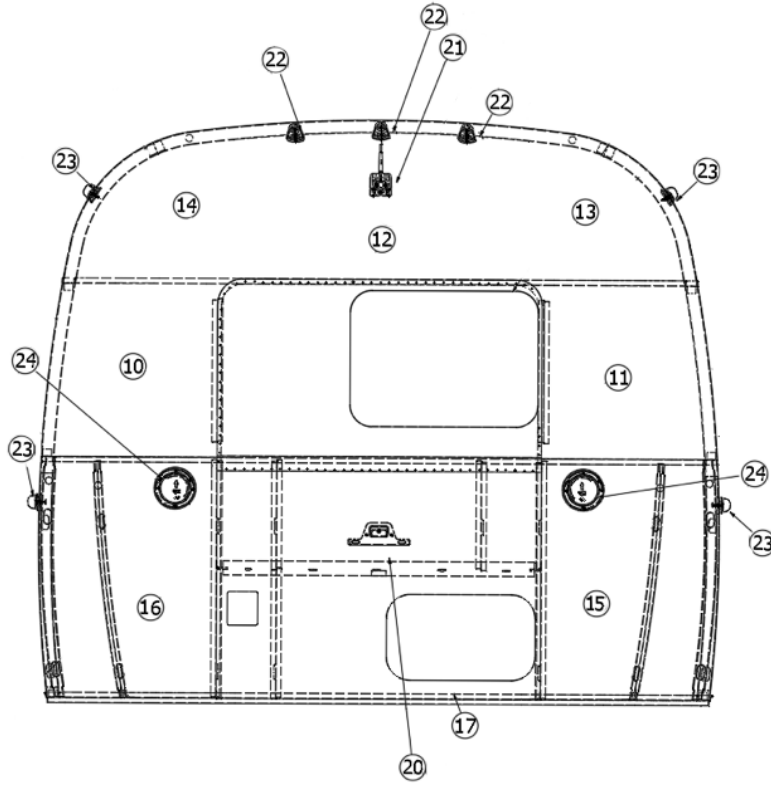
923390

Aft End Shell, 19'

- |               |   |
|---------------|---|
| 1. 114994     | Zero bow, NB                                  |
| 2. 104463     | Floor bow, NB                                 |
| 3. 115480     | Upper window bow                              |
| 4. 104343     | Lower window bow                              |
| 5. 101315-01  | Brace, Vertical Rear, LH                      |
| 6. 101315-02  | Brace, Vertical Rear, RH                      |
| 7. 114505-01  | Support, Lower End Shell, LH                  |
| 8. 114505-02  | Support, Lower End Shell, RH                  |
| 9. 116046     | Exterior Z Rib 20"                            |
| 10. 114888    | Segment, Center left                          |
| 11. 114889    | Segment, Center right                         |
| 12. 114892    | Segment, #25 narrow                           |
| 13. 114890    | Segment, #26                                  |
| 14. 114891    | Segment, #27                                  |
| 15. 114894    | Segment, #28                                  |
| 16. 114895    | Segment, #29                                  |
| 17. 116072    | Exterior Plate - Rear Lower - Small Door      |
| 18. 116100    | Exterior Plate, Rear End Shell, Offset Window |
| 19. 114813-01 | Angle-1 x 1.25 x 1.5                          |
| 20. 115699    | Plate-Backer End Shell                        |
| 21. 116038    | Z Bar- Horizontal Frame 43.5"                 |
| 22. 512409    | Holder-License Plate Led Black, Plastic       |
| 23. 512946-01 | Observation System-Digital Wireless Kit       |
| 365392        | Gasket-Backup Camera                          |
| 24. 512928    | Light-Clearance W/Curved Bezel                |
| 25. 512860    | Light-Clearance Red                           |
| 382389        | Gasket-Clearance Light                        |
| 26. 511860-01 | Light-4" LED Red                              |
| 381873        | Gasket - Taillight                            |
| 513099        | Bezel, 4" Chrome W/Visor                      |
| 371426-07     | Window - Hehr - Silver                        |
| 204061-5      | Wrap, Underbelly center rear                  |

# 2022 BAMBI EXTERIOR SHELL

Aft End, 20'



Parts Listed on Next Page

## 2022 BAMBI EXTERIOR SHELL

Aft End, 20'

923391

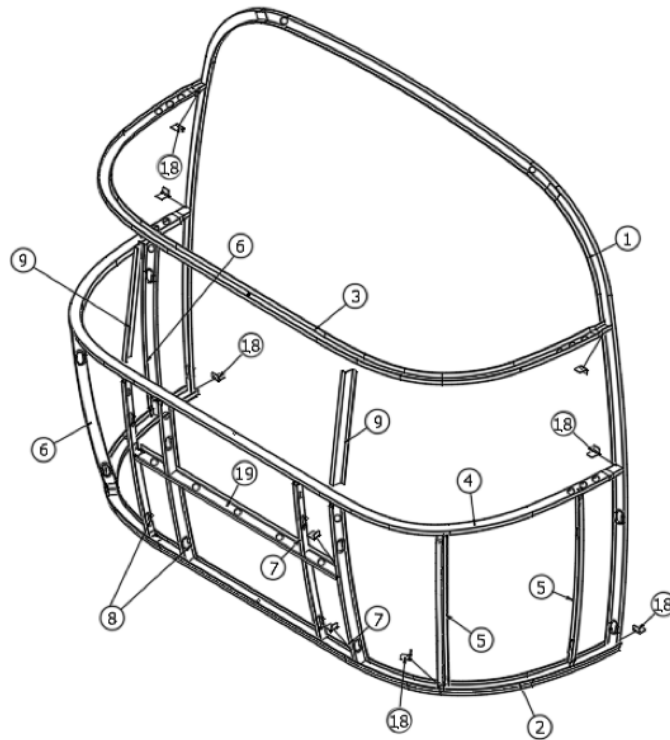
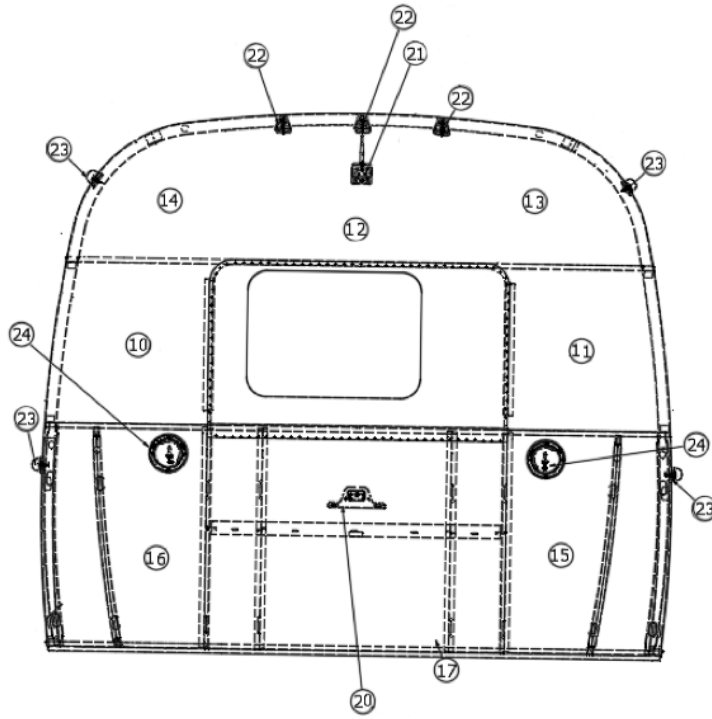
Aft End Shell, 20'

- |               |  |
|---------------|--|
| 1. 114994     | Zero bow, NB                             |
| 2. 104463     | Floor bow, NB                            |
| 3. 115480     | Upper window bow                         |
| 4. 104343     | Lower window bow                         |
| 5. 101315-01  | Brace, Vertical Rear, LH                 |
| 6. 101315-02  | Brace, Vertical Rear, RH                 |
| 7. 114505-01  | Support, Lower End Shell, LH             |
| 8. 114505-02  | Support, Lower End Shell, RH             |
| 9. 116046     | Exterior Z Rib 20"                       |
| 10. 114888    | Segment, Center left                     |
| 11. 114889    | Segment, Center right                    |
| 12. 114892    | Segment, #25 narrow                      |
| 13. 114890    | Segment, #26                             |
| 14. 114891    | Segment, #27                             |
| 15. 114894    | Segment, #28                             |
| 16. 114895    | Segment, #29                             |
| 17. 116098    | Exterior Plate - Rear Lower - Small Door |
| 18. 114813-01 | Angle-1 x 1.25 x 1.5                     |
| 19. 116038    | Z Bar- Horizontal Frame 43.5"            |
| 20. 512409    | Holder-License Plate Led Black, Plastic  |
| 21. 512946-01 | Observation System-Digital Wireless Kit  |
| 365392        | Gasket-Backup Camera                     |
| 22. 512928    | Light-Clearance W/Curved Bezel           |
| 23. 512860    | Light-Clearance Red                      |
| 382389        | Gasket-Clearance Light                   |
| 24. 511860-01 | Light-4" LED Red                         |
| 381873        | Gasket - Taillight                       |
| 513099        | Bezel, 4" Chrome W/Visor                 |
| 371426-05     | Rear Window, Hehr, Silver                |
| 204061-5      | Wrap, Underbelly center rear             |
| 601194        | Fresh water fill                         |



# 2022 BAMBI EXTERIOR SHELL

Aft End, 22'



Parts Listed on Next Page

## 2022 BAMBI EXTERIOR SHELL

Aft End, 22'

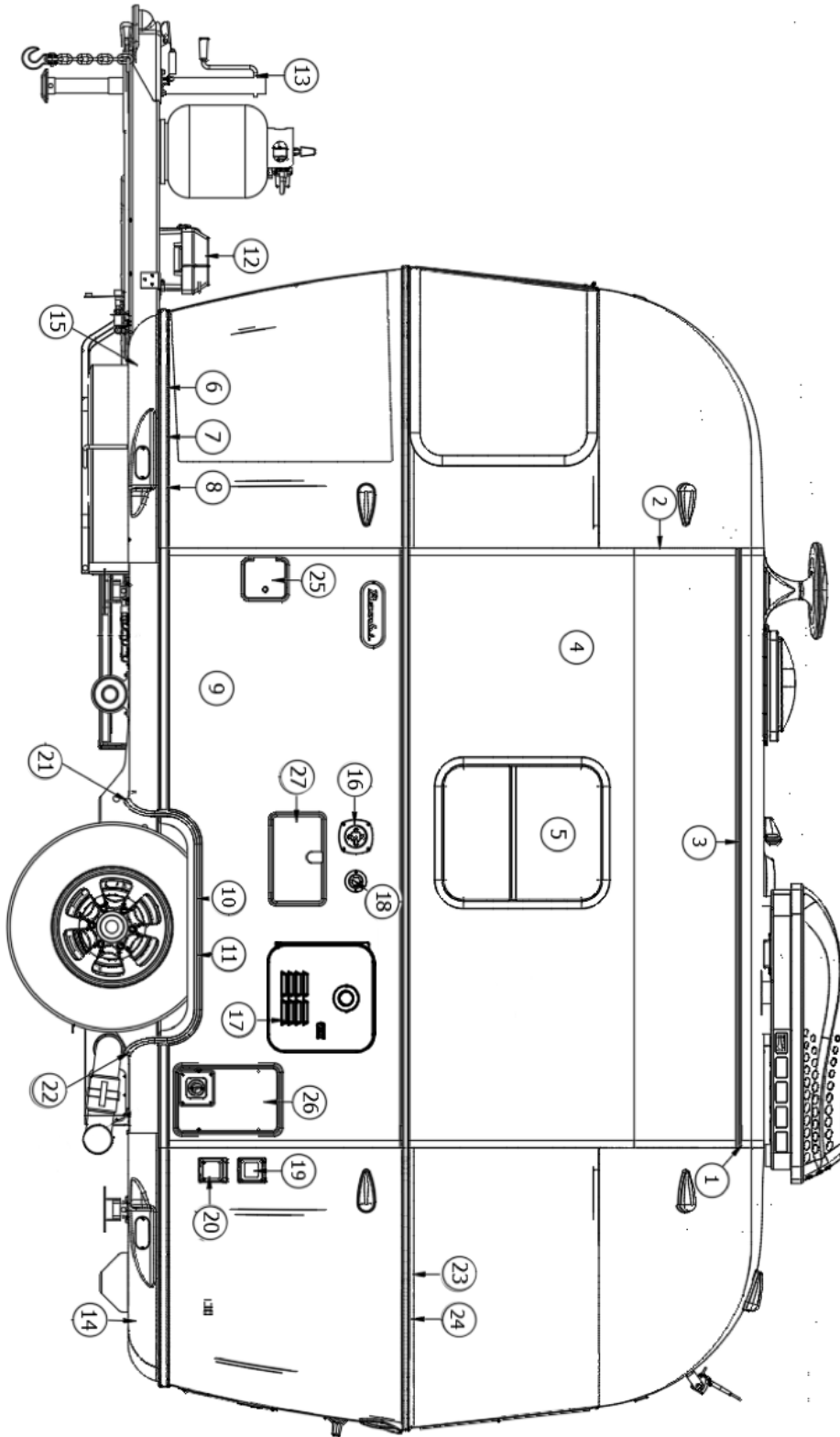
923392

Aft End Shell, 22'

1. 114994	Zero bow, NB
2. 104463	Floor bow, NB
3. 115480	Upper window bow
4. 104343	Lower window bow
5. 101315-01	Brace, Vertical Rear, LH
6. 101315-02	Brace, Vertical Rear, RH
7. 114505-01	Support, Lower End Shell, LH
8. 114505-02	Support, Lower End Shell, RH
9. 116046	Exterior Z Rib 20"
10. 114888	Segment, Center left
11. 114889	Segment, Center right
12. 114892	Segment, #25 narrow
13. 114890	Segment, #26
14. 114891	Segment, #27
15. 114894	Segment, #28
16. 114895	Segment, #29
17. 116069	Exterior Plate - Rear End Shell
18. 114813-01	Angle-1 x 1.25 x 1.5
19. 116038	Z Bar- Horizontal Frame 43.5"
20. 512409	Holder-License Plate Led Black, Plastic
21. 512946-01	Observation System-Digital Wireless Kit
365392	Gasket-Backup Camera
22. 512928	Light-Clearance W/Curved Bezel
23. 512860	Light-Clearance Red
382389	Gasket-Clearance Light
24. 511860-01	Light, 4" LED Red
381873	Gasket, Taillight
513099	Bezel, 4" Chrome W/Visor
204061-8	Wrap, Underbelly center rear

# 2022 BAMBI EXTERIOR SHELL

Wall, Roadside, 16'



Parts Listed on Next Page

## 2022 BAMBI EXTERIOR SHELL

### Wall, Roadside, 16'

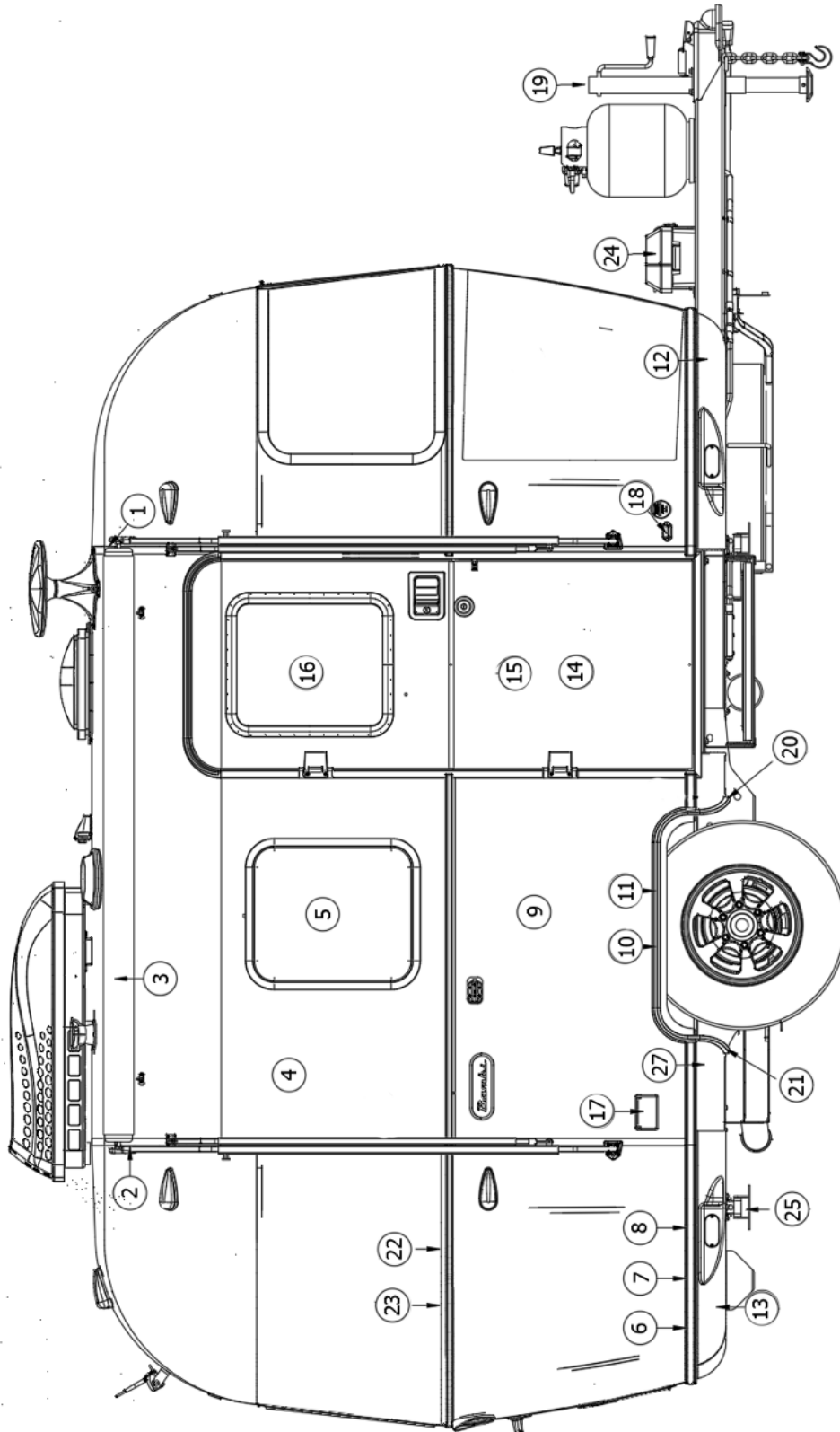
923386S

RS Shell, 16'

1. 114290-01 Extrusion, Awning/drip rail
2. 114994 Rib, End bow
3. 104707-05 Extrusion, "I" beam
4. 114880-05 Aluminum sheet, Upper, .04 x 51 x 173.5"
5. 371426-01 Window-19.38 x 22.88 x 8" Vent Silver
6. 115546 Extrusion, Rub rail
7. 201763-100 Insert, Rub rail, Chrome, 1"
8. 100986 Floor channel
9. 114879-05 Aluminum sheet, Upper, .04 x 33 x 173.50"
10. 114003-05 Wheel well trim, Inner, Single axle
11. 114004-05 Wheel well trim, Outer, Single axle
12. 204111 Battery box
13. 455845 Manual Hitch Jack
14. 204061-3 Banana wrap, Black, RS rear
15. 204061-2 Banana wrap, Black, RS front
16. 601392-06 City water fill, 50 PSI
17. 690769-03 Water heater door, Grey
18. 601441-02 Tank flush, Black
19. 513797 Inlet-30 A, Smart plug - Gray
20. 513684 Inlet, TV/satellite, Gray
21. 114466-02 Casting, Rub rail end, Wheel well, LH
22. 114466-01 Casting, Rub rail end, Wheel well, RH
23. 114328 Extrusion, Belt molding
24. 201912-100 Molding, Beltline, Chrome
25. 601194 Fresh water fill
26. 690746-01 Bezel-Cosmetic - Furnace Door
- 690746-02 Foam Gasket/Bezel Fram SM Furn
27. 602326 Access hatch, Exterior shower
- 114387-01 Bow, Z-rib, RH
- 114387-02 Bow, Z-rib, LH
- 203618-01 Film-3D Body RS 34.11 x 38.5"

# 2022 BAMBI EXTERIOR SHELL

Wall, Curbside, 16'



Parts Listed on Next Page

## 2022 BAMBI EXTERIOR SHELL

### Wall, Curbside, 16'

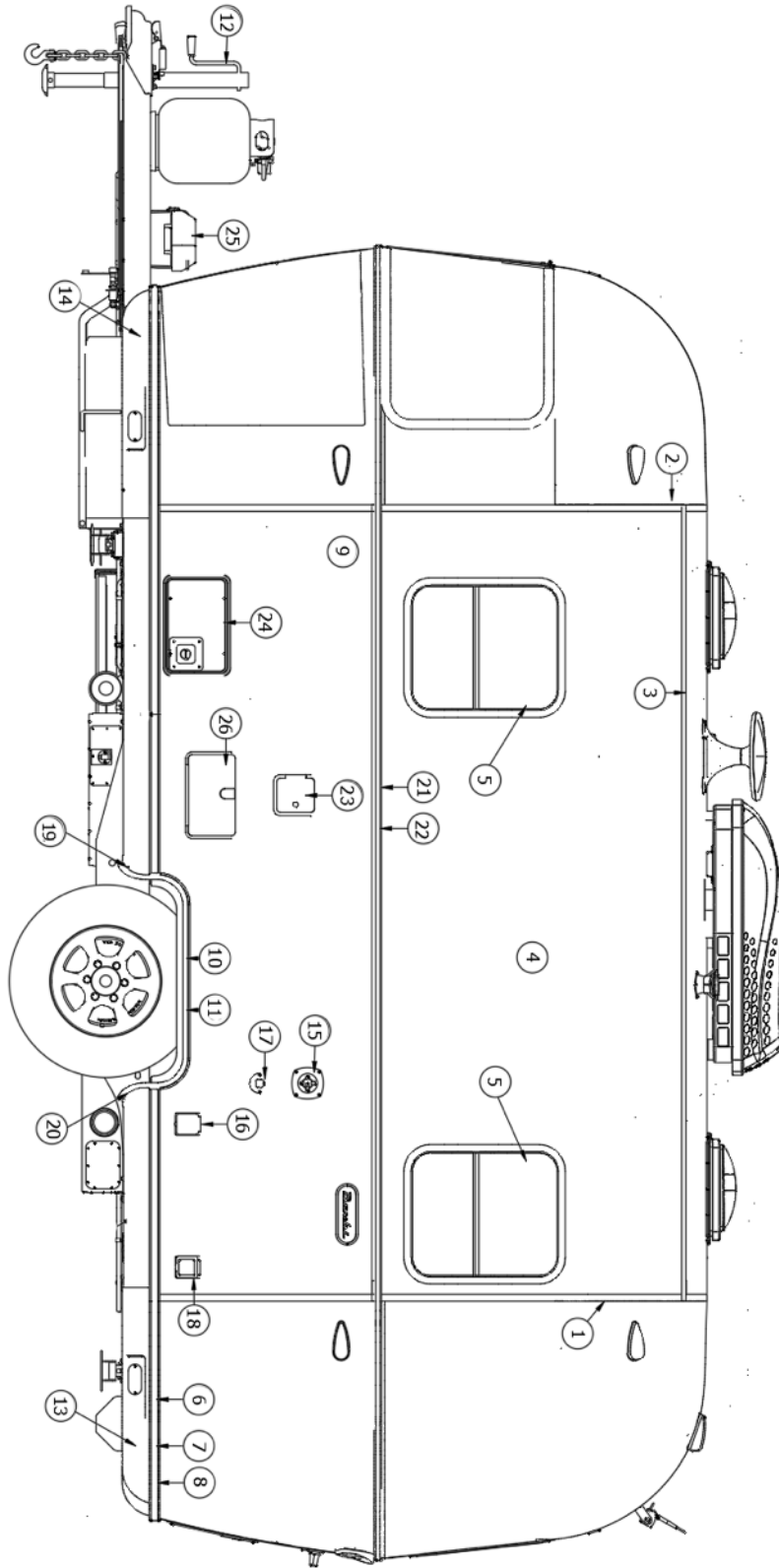
923386S

CS Shell, 16'

1. 114290-01 Extrusion, Awning/drip rail
2. 114994 Rib, End bow
3. 104707-05 Extrusion, "I" beam
4. 114880-05 Aluminum sheet, Upper, .04 x 51 x 173.5"
5. 371426-03 Window, 19.38 x 22.88" Fixed Silver
6. 115546 Extrusion, Rub rail
7. 201763-100 Insert, Rub rail, Chrome, 1"
8. 100986 Floor channel
9. 114879-05 Aluminum sheet, Upper, .04 x 33 x 173.5"
10. 114003-05 Wheel well trim, Inner, Single axle
11. 114004-05 Wheel well trim, Outer, Single axle
12. 204061-1 Banana wrap, Black, CS front
13. 204061-4 Banana wrap, Black, CS rear
14. 115207 Main door, LH hinge
15. 114654 Screen door, LH hinge
16. 371400-01 Window, Main door, Etched
17. 512741 W.P. cover w/ gasket
18. 513660 Step Light - 12v Directional - Chrome
19. 455845 Manual Hitch Jack
20. 114465-01 Casting, Rub rail end, RH
21. 114465-02 Casting, Rub rail end, LH
22. 114328 Extrusion, Belt molding
23. 201912-100 Molding, Chrome, Beltline
24. 204111 Battery box
25. 400914-03 Stabilizer Jack 20" Lightweight
- 114387-01 Bow, Z-rib, RH
- 114387-02 Bow, Z-rib, LH
- 203618-02 Film-3D Body CS 34.11 x 38.5"

# 2022 BAMBI EXTERIOR SHELL

Wall, Roadside, 19'



Parts Listed on Next Page

## 2022 BAMBI EXTERIOR SHELL

### Wall, Roadside, 19'

923387S

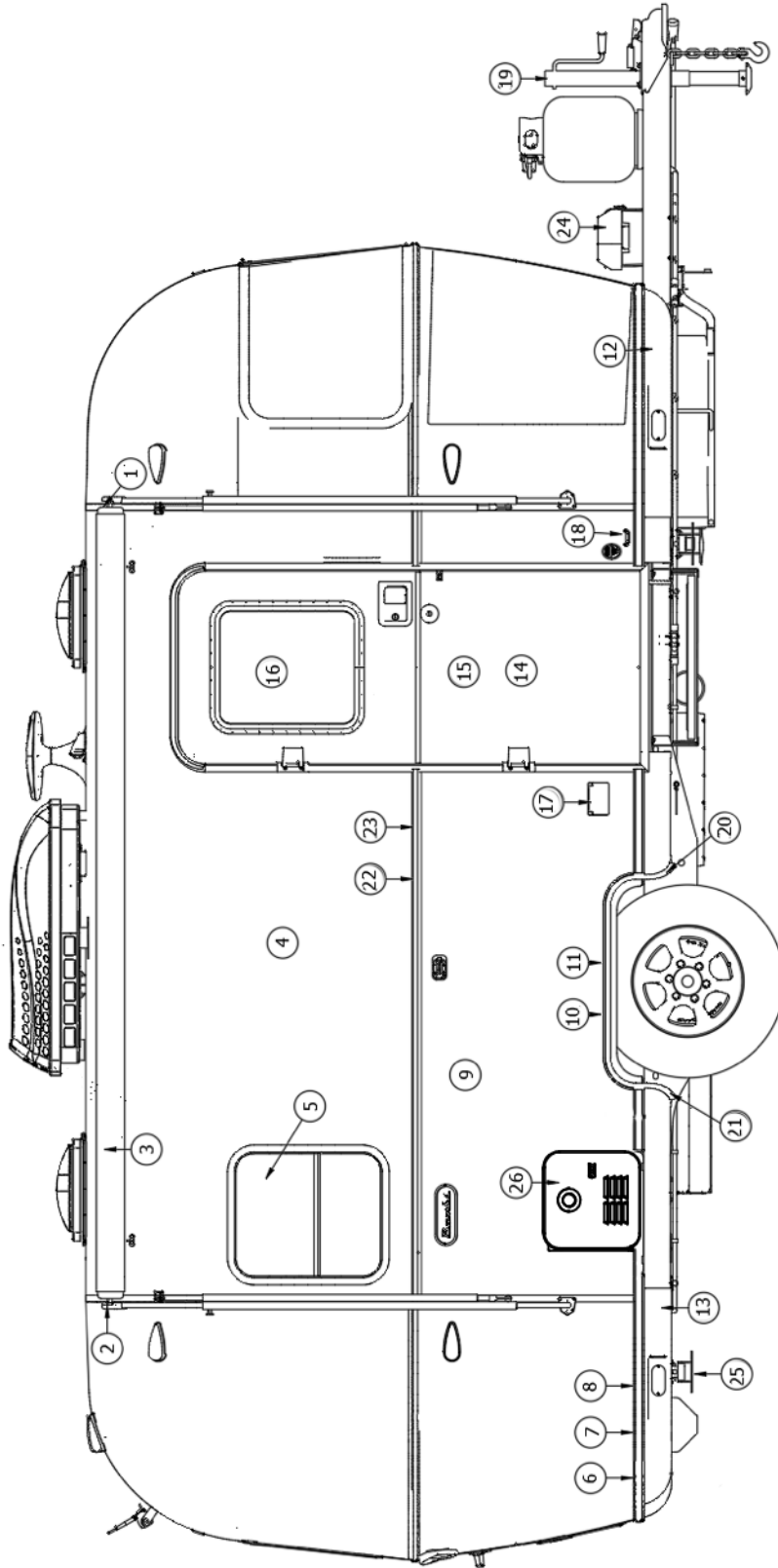
RS Shell, 19'

1. 114290-01 Extrusion, Awning/drip rail
2. 114994 Rib, End bow
3. 104707-05 Extrusion, "I" beam
4. 114880-06 Aluminum sheet, Upper, .04 x 51 x 152.5"
5. 371426-01 Window-19.38 x 22.88 x 8" Vent Silver
6. 115546 Extrusion, Rub rail
7. 201763-100 Insert, Rub rail, Chrome, 1"
8. 100986 Floor channel
9. 114879-05 Aluminum sheet, Upper, .04 x 33 x 173.5"
10. 114003-05 Wheel well trim, Inner, Single axle
11. 114004-05 Wheel well trim, Outer, Single axle
12. 455845 Manual Hitch Jack
13. 204061-3 Banana wrap, Black, RS rear
14. 204061-2 Banana wrap, Black, RS front
15. 601392-06 City water fill, 50 PSI
16. 513797-01 Inlet-30 A, Smart plug, Black
17. 601441-02 Tank flush, Black
18. 513684 Inlet, TV, Gray
19. 114466-02 Casting, Rub rail end, Wheel well, LH
20. 114466-01 Casting, Rub rail end, Wheel well, RH
21. 114328 Extrusion, Belt molding
22. 201912-100 Molding, Chrome, Beltline
23. 601194 Fresh water fill
24. 690746-01 Bezel-Cosmetic - Furnace Door
- 690746-02 Foam Gasket/Bezel Fram SM Furn
25. 204111 Battery box
26. 602326 Access hatch, Exterior shower
- 114387-01 Bow, Z-rib, RH
- 114387-02 Bow, Z-rib, LH
- 203618-01 Film-3D Body RS 34.11x38.5



# 2022 BAMBI EXTERIOR SHELL

Wall, Curbside, 19'



Parts Listed on Next Page

## 2022 BAMBI EXTERIOR SHELL

### Wall, Curbside, 19'

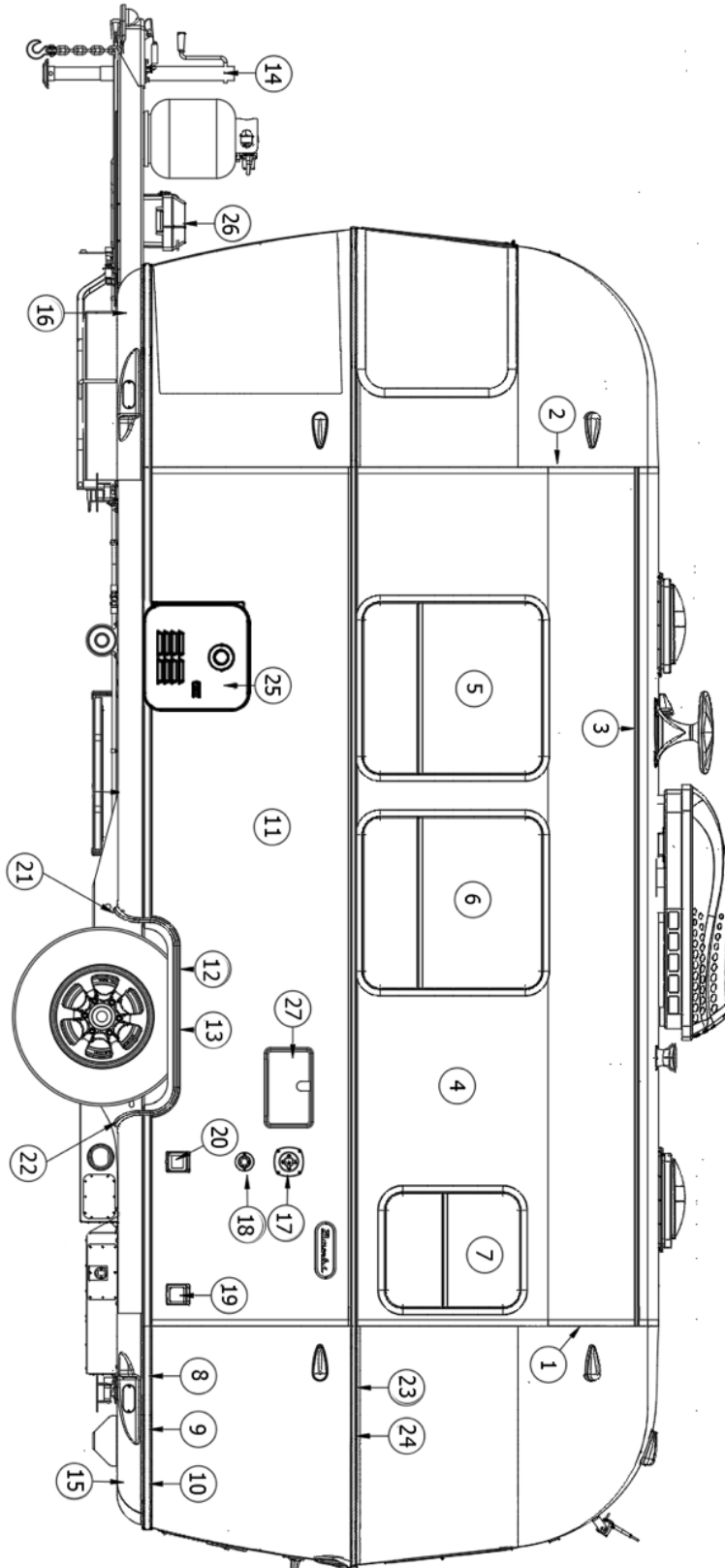
923387S

CS Shell, 19'

1. 114290-01 Extrusion, Awning/drip rail
2. 114994 Rib, End bow
3. 104707-05 Extrusion, "I" beam
4. 114880-06 Aluminum sheet, Upper, .04 x 51 x 152.5"
5. 371426-01 Window-19.38x22.88 8"Vent Silver
6. 115546 Extrusion, Rub rail
7. 201763-100 Insert, Rub rail, Chrome, 1"
8. 100986 Floor channel
9. 114879-05 Aluminum sheet, Upper, .04 x 33 x 173.50"
10. 114003-05 Wheel well trim, Inner, Single axle
11. 114004-05 Wheel well trim, Outer, Single axle
12. 204061-1 Banana wrap, Black, CS front
13. 204061-4 Banana wrap, Black, CS rear
14. 115207 Main door, LH hinge
15. 114654 Screen door, LH hinge
16. 371400-01 Window, Main door, Etched
17. 512741 W.P. cover w/ gasket
18. 513660 Step Light - 12v Directional - Chrome
19. 455845 Manual Hitch Jack
20. 114465-01 Casting, Rub rail end, RH
21. 114465-02 Casting, Rub rail end, LH
22. 114328 Extrusion, Belt molding
23. 201912-100 Molding, Chrome, Beltline
24. 204111 Battery box
25. 400914-03 Stabilizer Jack 20" Lightweight
26. 690769-03 Water heater door, Grey
- 203618-02 Film-3D Body CS 34.11x38.5
- 114387-01 Bow, Z-rib, RH
- 114387-02 Bow, Z-rib, LH

# 2022 BAMBİ EXTERIOR SHELL

Wall, Roadside, 20'



Parts Listed on Next Page

## 2022 BAMBI EXTERIOR SHELL

### Wall, Roadside, 20'

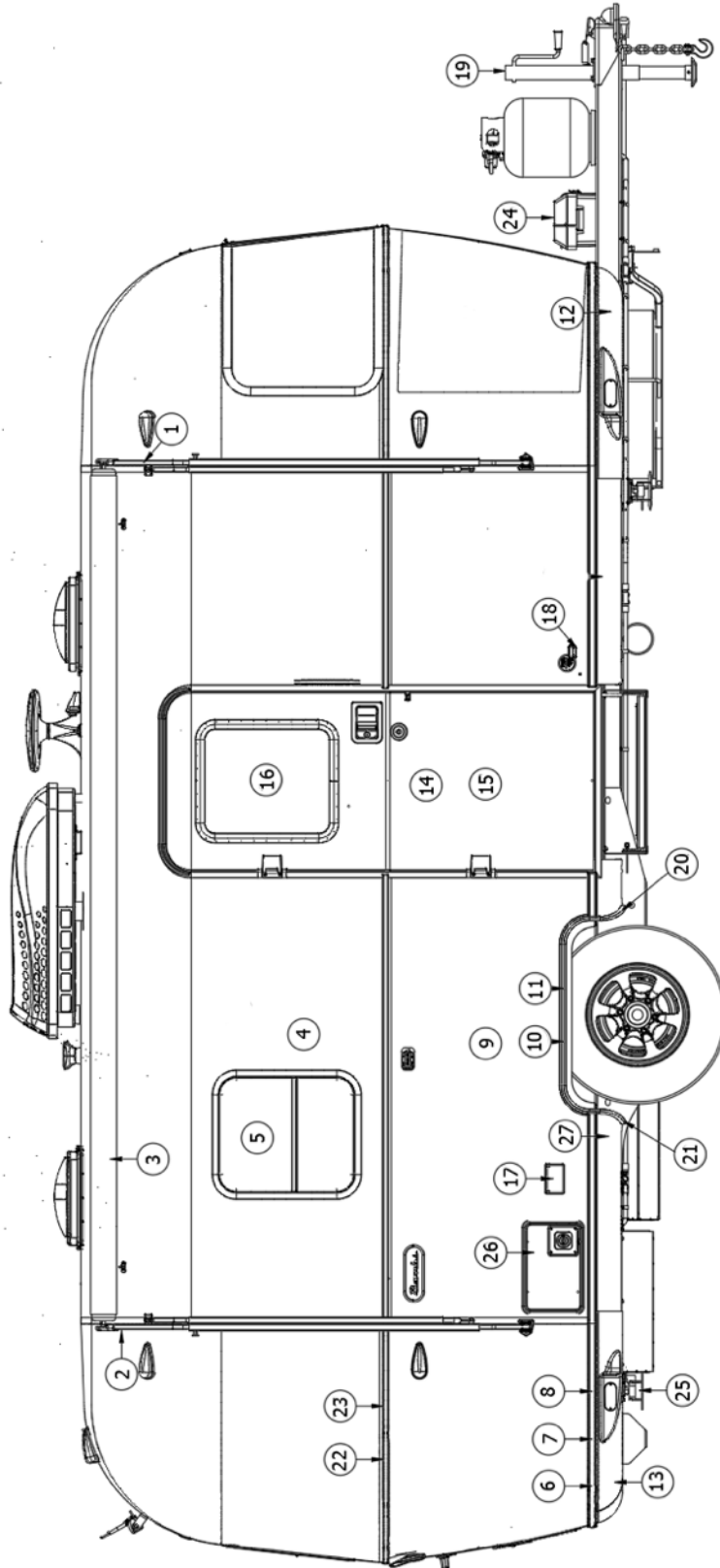
923388S

RS Shell, 20'

1. 114290-01 Extrusion, Awning/drip rail
2. 114994 Rib, End bow
3. 104707-05 Extrusion, "I" beam
4. 114880-06 Aluminum sheet, Upper, .04 x 51 x 152.5"
5. 371426-06 Window-28.38 x 29.88 x 8" Vent Silver
6. 371426-04 Window-28.38 x 29.88 Egr. Silver
7. 371426-01 Window-19.38 x 22.88 x 8" Vent Silver
8. 115546 Extrusion, Rub rail
9. 201763-100 Insert, Rub rail, Chrome, 1"
10. 100986 Floor channel
11. 114879-05 Aluminum sheet, Upper, .04 x 33 x 173.5"
12. 114003-05 Wheel well trim, Inner, Single axle
13. 114004-05 Wheel well trim, Outer, Single axle
14. 455845 Manual Hitch Jack
15. 204061-3 Banana wrap, Black, RS rear
16. 204061-2 Banana wrap, Black, RS front
17. 601392-06 City water fill, 50 PSI
18. 601441-02 Tank flush, Black
19. 513684 Inlet, TV, Gray
20. 513797-01 Inlet-30 A, Smart plug, Black
21. 114466-02 Casting, Rub rail end, Wheel well, LH
22. 114466-01 Casting, Rub rail end, Wheel well, RH
23. 114328 Extrusion, Belt molding
24. 201912-100 Molding, Beltline, Chrome
25. 690769-03 Water heater door, Grey
26. 204111 Battery box
27. 602326 Access hatch, Exterior shower
- 114387-01 Bow, Z-rib, RH
- 114387-02 Bow, Z-rib, LH
- 203618-01 Film-3D Body RS 34.11 x 38.5

# 2022 BAMBI EXTERIOR SHELL

Wall, Curbside, 20'



Parts Listed on Next Page

## 2022 BAMBI EXTERIOR SHELL

### Wall, Curbside, 20'

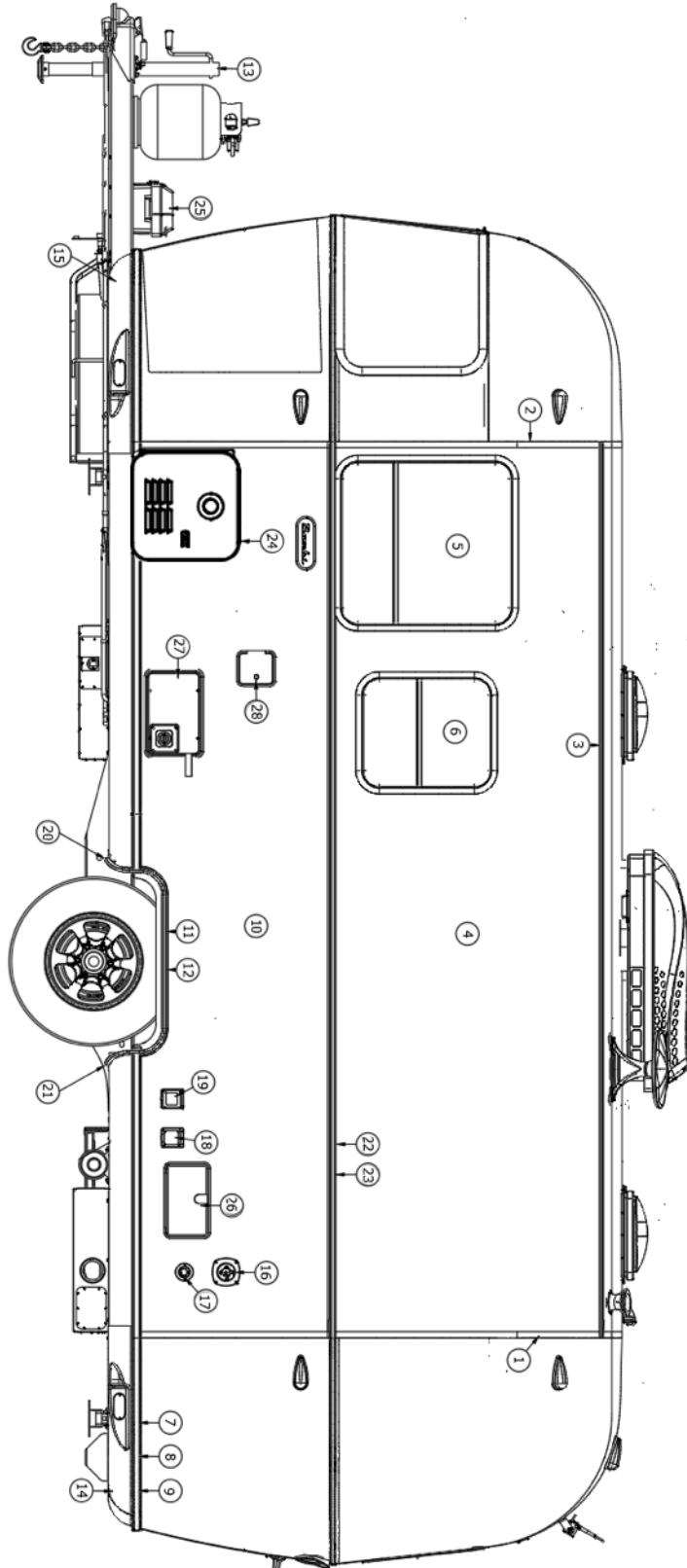
923388S

CS Shell, 20'

1. 114290-01 Extrusion, Awning/drip rail
2. 114994 Rib, End bow
3. 104707-05 Extrusion, "I" beam
4. 114880-06 Aluminum sheet, Upper, .04 x 51 x 152.5"
5. 371426-01 Window-19.38x22.88 8"Vent Silver
6. 115546 Extrusion, Rub rail
7. 201763-100 Insert, Rub rail, Chrome, 1"
8. 100986 Floor channel
9. 114879-05 Aluminum sheet, Upper, .04 x 33 x 173.5"
10. 114003-05 Wheel well trim, Inner, Single axle
11. 114004-05 Wheel well trim, Outer, Single axle
12. 204061-1 Banana wrap, Black, CS front
13. 204061-4 Banana wrap, Black, CS rear
14. 115207 Main door, LH hinge
15. 114654 Screen door, LH hinge
16. 371400-01 Window, Main door, Etched
17. 512741 W.P. cover w/ gasket
18. 513660 Step Light - 12v Directional - Chrome
19. 455845 Manual Hitch Jack
20. 114465-01 Casting, Rub rail end, RH
21. 114465-02 Casting, Rub rail end, LH
22. 114328 Extrusion, Belt molding
23. 201912-100 Molding, Beltline, Chrome
24. 204111 Battery box
25. 400914-03 Stabilizer Jack 20" Lightweight
26. 690746-01 Bezel-Cosmetic - Furnace Door
- 690746-02 Foam Gasket/Bezel Fram SM Furn
- 114387-01 Bow, Z-rib, RH
- 114387-02 Bow, Z-rib, LH
- 203618-02 Film-3D Body CS 34.11 x 38.5"

# 2022 BAMBI EXTERIOR SHELL

Wall, Roadside, 22'



Parts Listed on Next Page

## 2022 BAMBI EXTERIOR SHELL

### Wall, Roadside, 22'

923389S

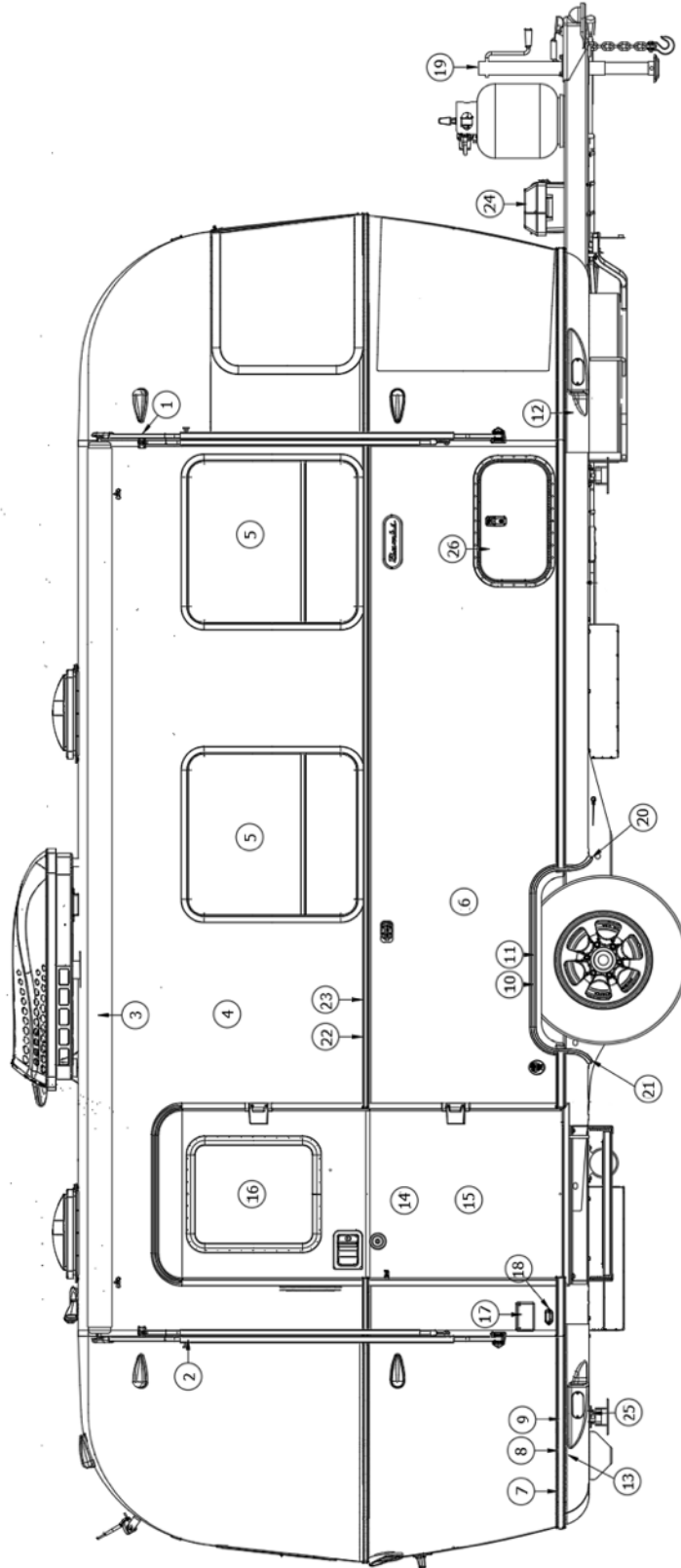
RS Shell, 22'

1. 114290-01 Extrusion, Awning/drip rail
2. 114994 Rib, End bow
3. 104707-05 Extrusion, "I" beam
4. 114880-06 Aluminum sheet, Upper, .04 x 51 x 152.5"
5. 371426-04 Window-28.38x29.88 Egr. Silver
6. 371426-01 Window-19.38x22.88 8"Vent Silver
7. 115546 Extrusion, Rub rail
8. 201763-100 Insert, Rub rail, Chrome, 1"
9. 100986 Floor channel
10. 114879-05 Aluminum sheet, Upper, .04 x 33 x 173.5"
11. 114003-05 Wheel well trim, Inner, Single axle
12. 114004-05 Wheel well trim, Outer, Single axle
13. 455845 Manual Hitch Jack
14. 204061-3 Banana wrap, Black, RS rear
15. 204061-2 Banana wrap, Black, RS front
16. 601392-06 City water inlet, 50 PSI
17. 601441-02 Tank flush, Black
18. 513684 Inlet, TV, Gray
19. 513797-01 Inlet-30 A, Smart plug, Black
20. 114466-02 Casting, Rub rail end, Wheel well, LH
21. 114466-01 Casting, Rub rail end, Wheel well, RH
22. 114328 Extrusion, Belt molding
23. 201912-100 Molding, Beltline, Chrome
24. 690769-03 Water heater door, Grey
25. 204111 Battery box
26. 602326 Access hatch, Exterior shower
27. 690746-01 Bezel-Cosmetic – Furnace Door
- 690746-02 Foam Gasket/Bezel Fram SM Furn
28. 601194 Fresh water fill
- 116167-02 Black underbelly aluminum
- 114387-01 Bow, Z-rib, RH
- 114387-02 Bow, Z-rib, LH
- 203618-01 Film-3D Body RS 34.11 x 38.5



# 2022 BAMBI EXTERIOR SHELL

Wall, Curbside, 22'



Parts Listed on Next Page

## 2022 BAMBI EXTERIOR SHELL

### Wall, Curbside, 22'

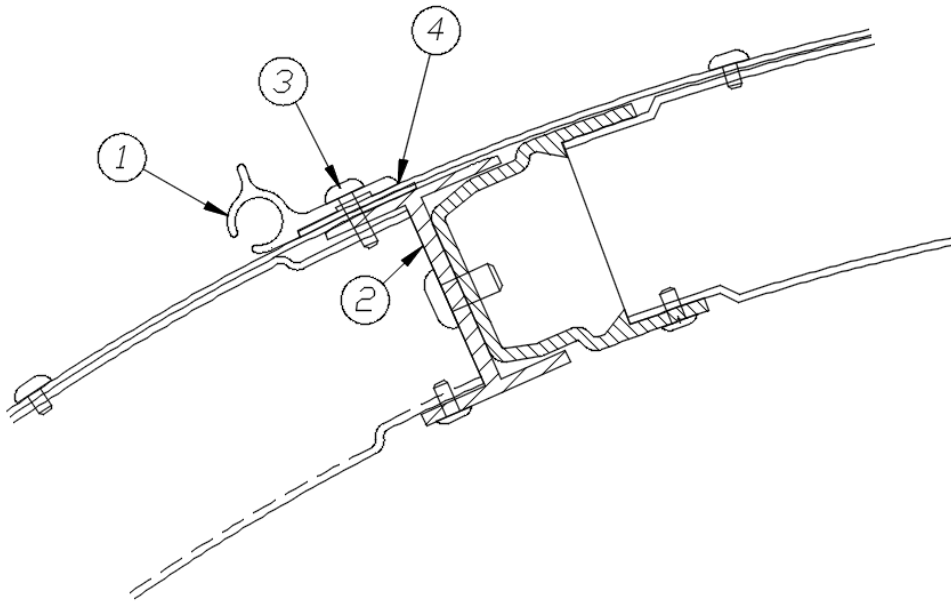
923389S

CS Shell, 22'

1. 114290-01 Extrusion, Awning/drip rail
2. 114994 Rib, End bow
3. 104707-05 Extrusion, "I" beam
4. 114880-06 Aluminum sheet, Upper, .04 x 51 x 152.5"
5. 371426-06 Window-28.38x29.88 8"Vent Silver
6. 114879-05 Aluminum sheet, Upper, .04 x 33 x 173.5"
7. 115546 Extrusion, Rub rail
8. 201763-100 Insert, Rub rail, Chrome, 1"
9. 100986 Floor channel
10. 114003-05 Wheel well trim, Inner, Single axle
11. 114004-05 Wheel well trim, Outer, Single axle
12. 204061-1 Banana wrap, Black, CS front
13. 204061-4 Banana wrap, Black, CS rear
14. 115207-05 Main door, RH hinge
15. 114654-01 Screen door, RH hinge
16. 371400-01 Window, Main door, Etched
17. 512741 W.P. cover w/ gasket
18. 513660 Step Light - 12v Directional - Chrome
19. 455845 Manual Hitch Jack
20. 114465-01 Casting, Rub rail end, RH
21. 114465-02 Casting, Rub rail end, LH
22. 114328 Extrusion, Belt molding
23. 201912-100 Molding, Beltline, Chrome
24. 204111 Battery box
25. 400914-03 Stabilizer Jack 20" Lightweight
26. 923467-01 Compartment Door Assy-Small
- 114387-01 Bow, Z-rib, RH
- 114387-02 Bow, Z-rib, LH
- 203618-02 Film-3D Body CS 34.11 x 38.5"

# 2022 BAMBİ EXTERIOR SHELL

## Roof



- |              |  |
|--------------|--|
| 1. 114290-01 | Extrusion, Awning drip rail                |
| 2. 114387-03 | Box Z-rib, Roof                            |
| 3. 325003-03 | Rivet, 1/8 x 7/16, White                   |
| 4. 365330-03 | Adseal, Awning rail                        |
| 115728-02    | Aluminum sheet, .032 x 66.75 x 170", White |
| 114987-01    | Extrusion, Roof corner                     |
| 104408       | Extrusion, Z-bar, Horizontal               |
| 114813-02    | Angle, 2 x 1.25 x 2.5                      |

## Underbelly Skin and Wraps

- |          |                                    |
|----------|------------------------------------|
| 204061-1 | Banana Wrap-Front CS               |
| 204061-2 | Banana Wrap-Front RS               |
| 204061-3 | Banana Wrap-Rear RS                |
| 204061-4 | Banana Wrap-Rear CS                |
| 204061-5 | Banana Wrap-Rear Center            |
| 204061-8 | Banana Wrap-Rear Center, 22'       |
| 115684   | Aluminum underbelly, .035" x 65.75 |

## Wheel Wells

- |          |                                     |
|----------|-------------------------------------|
| 204064-1 | Wheel well, Single axle, Outer      |
| 204064-2 | Wheel well, Single axle, Inner      |
| 204064-3 | Wheel well, Single axle, Insulation |

# 2022 BAMBI INTERIOR SHELL

## Interior Skin

114879-05	Aluminum sheet, Upper, .04" x 33" x 173.5"
114880-06	Aluminum sheet, .04" x 51" x 152.5"
115609-06	Aluminum sheet, .04" x 45" x 154.5"
203740	Insulator Fiber, 2.25" x 48" x 60'

## Wheel Well Insulator

203289	Liner, Wheel well ABS
201568	Foam, 3 Tufcote Acoustical

## Main Door Threshold

115565	Extrusion, Main door threshold
382290-01	End cap, Threshold
382290-02	End cap, Threshold

# 2022 BAMBI CHASSIS

## Axles

410980-26	Axle - Dexter 3500# - 10" Drum Brake, 16'
410980-23	Axle - Dexter 5000# - 12" Drum Brake, 19', 20', 22'
410980-100	10" RH Nev-R Adjust Brake Assembly
410980-101	10" LH Nev-R Adjust Brake Assembly
410980-102	12" LH Nev-R Adjust Brake Assembly
410980-103	12" RH Nev-R Adjust Brake Assembly

## Tires and Wheels

411123	Tire/Wheel Assembly, 15" Aluminum
400923	Lug Nut, 1/2" 20 Chrome
400844-01	Cover, HUB Dust, 4" Stainless Steel

## Spare Tire Carrier

410843-02	Spare tire & wheel assembly, 15", Steel
450414	"A" frame spare tire carrier

## Entry Step

400962	Step-Main Door Steel 24"
0260100	U-Clip, 3/8 -16
300052	Washer, Flat, 3/8"
345272-05	Hex bolt, 3/8-16 x 1.25

## Hose Carrier

602619-02	EZ hose carrier, 64", Black
104704-01	Shim, 3 x 3

## Hitch Coupler

455653	Demco 2 5/16 12.5 K Coupler
455654	Adjustable Coupler Lock

## Hitch Jack

455845	Manual Hitch Jack
401022	Hitch jack foot pad, Bambi

## Stabilizing Jacks

400914-03	Stabilizer jack, 20", Lightweight
400914-02	Stabilizer jack handle, 15"
400914-04	Foot pads, Stabilizer jack (set of four)
454425	Spacer, Stabilizer jack

# 2022 BAMBI

## DECALS, EXTERIOR TRIM

### Decals, Logos, and Nameplates

386386	Nameplate - Bambi - 9" x 3.25"
386205-01	Decal, "AIRSTREAM", 1.75" x 21.5", Black Chrome
386068-01	Medallion, 3" logo, "AIRSTREAM"

### Belt Line Trim

114328	Extrusion, Belt line molding
201912-100	Molding, Beltline, Chrome
114417	Casting, Belt line closeout

### Rub Rail Trim

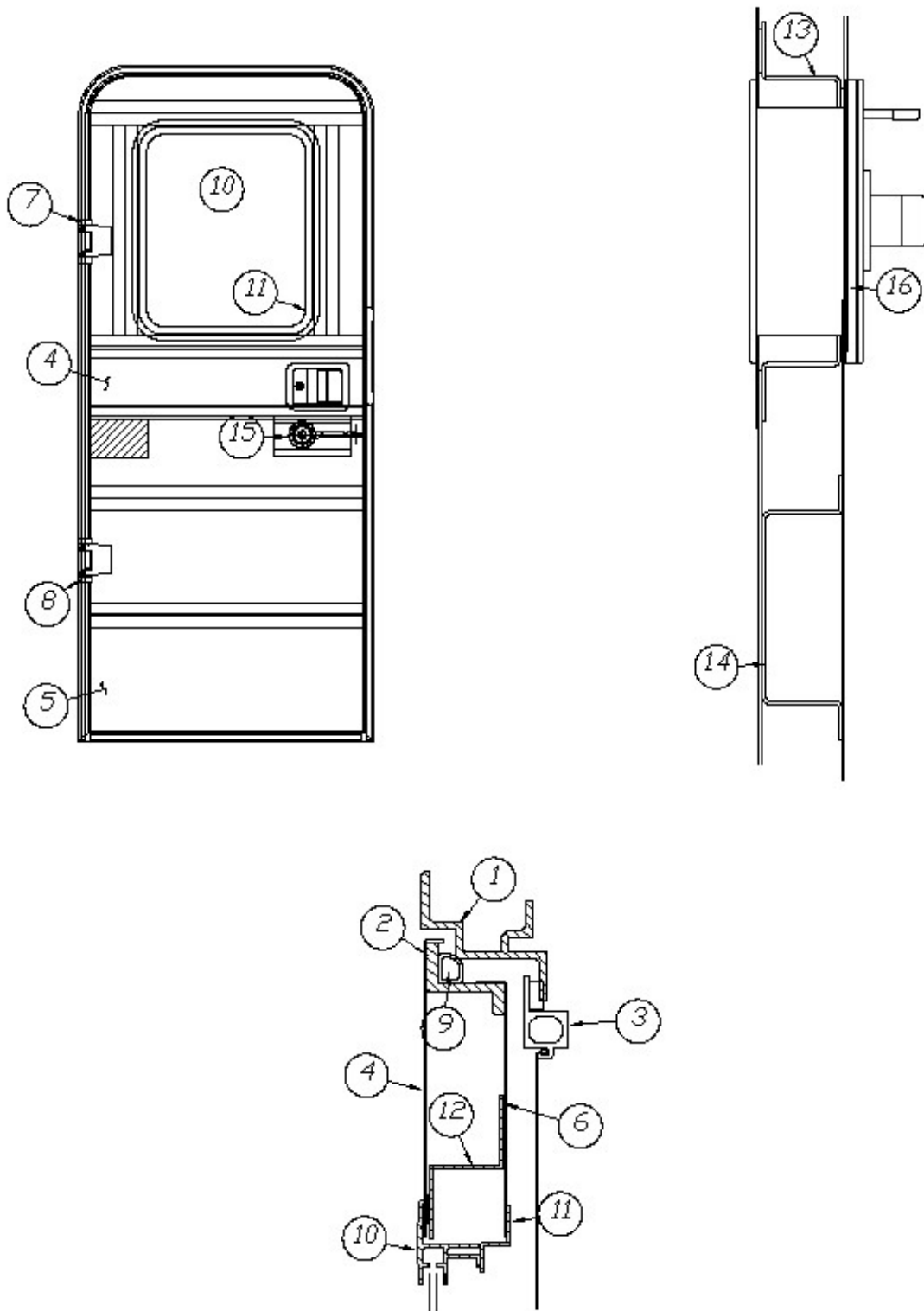
115546	Extrusion, Rub rail
201763-100	Insert, Rub rail, Chrome, 1"
114466-01	Closeout, Casting, Rub rail, Angled RH
114466-02	Closeout, Casting, Rub rail, Angled LH
114465-01	Closeout, Casting, Rub rail, RH
114465-02	Closeout, Casting, Rub rail, LH

### Reflectors

500096	Reflector, Amber
500095	Reflector, Red
513641	Reflector-2.19" Round, Amber
513642	Reflector-2.19" Round, Red

# 2022 BAMBI DOORS, WINDOWS, AWNINGS

Main Door, LH Hinge, 16', 19', 20'



Parts Listed on Next Page

## 2022 BAMBI DOORS, WINDOWS, AWNINGS

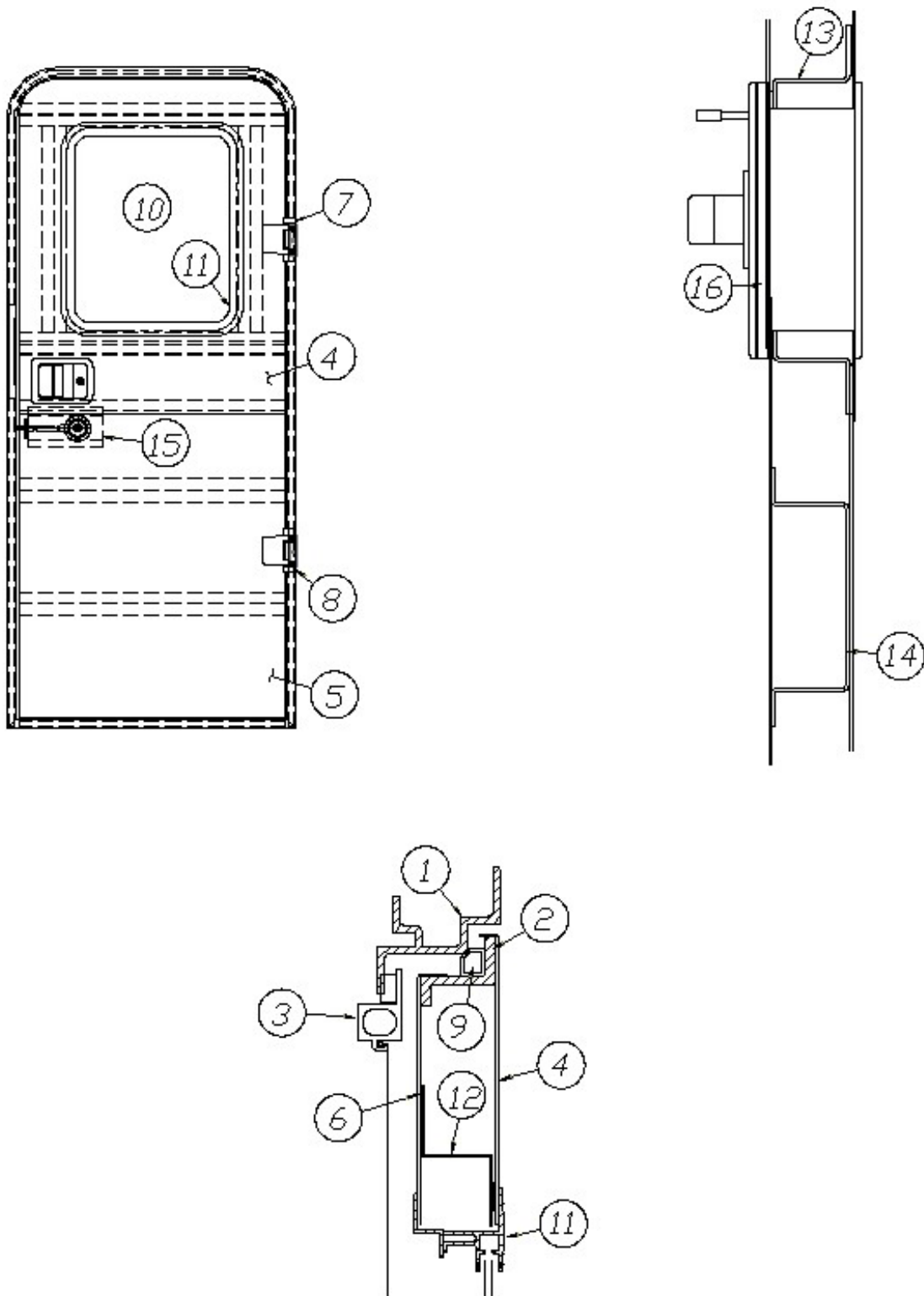
### Main Door, LH Hinge, 16', 19', 20'

115207	Main Door, LH Hinge
1. 114652	Jamb, Main door, pre-formed
2. 114653	Frame, Main door, pre-formed
3. 114654	Screen door
4. 114448-03	Skin, Exterior, Upper main door
5. 114449-03	Skin, Exterior, Lower main door
6. 114475	Main door skin, Inner
7. 381552-03	Hinge, Main door, Upper
8. 381552-04	Hinge, Main door, Lower
9. 365232	Seal, Main door
10. 371400-01	Window, Main door, Etched
11. 115208	Trim ring, Main door window
12. 114658	Inner door, "Z" bar, Upper & lower
13. 114657	Hat section, Formed, Main door
14. 115413	Hat section, round dead bolt
15. 382069	Deadbolt, Round, Trimark
16. 203370	Spacer, Deadbolt
385595	Pocket strike, Main door
381547-04	Striker bolt w/washer, Main door lock
453851	Bolt, Trimark deadbolt
114363	Drip cap, Main door
380290	Housing latch
380291	Latch
201056	Striker, Main door, Black plastic
114507-03	Trim, Main door
454898	Nut plate, Main door
203494	Baseplate, Door latch
101171-02	Grab handle, Cast Aluminum, silver painted
101171-03	Grab handle, Raw Aluminum
382074	Gasket, Grab handle, Main door



# 2022 BAMBI DOORS, WINDOWS, AWNINGS

Main Door, RH Hinge, 22'



Parts Listed on Next Page

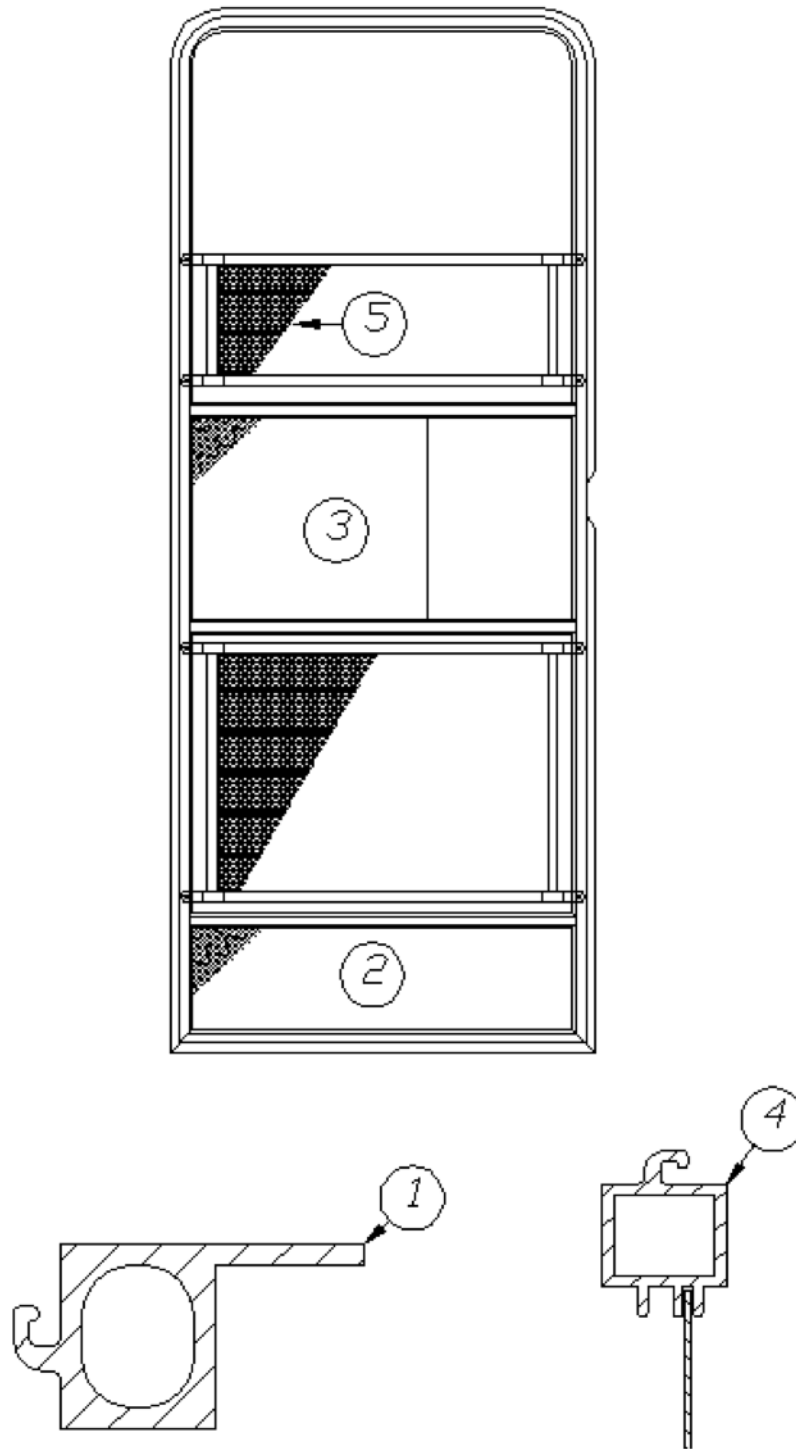
## 2022 BAMBI DOORS, WINDOWS, AWNINGS

### Main Door, RH Hinge, 22'

115207-05	Main Door, RH Hinge
1. 114652	Jamb, Main door, pre-formed
2. 114653-01	Frame, Main door, pre-formed
3. 114654-01	Screen door, RH Hinge
4. 114448-03	Skin, Exterior, Upper main door
5. 114449-03	Skin, Exterior, Lower main door
6. 114475	Main door skin, Inner
7. 381552-02	Hinge, Main door, Upper
8. 381552-01	Hinge, Main door Lower
9. 365232	Seal, Main door
10. 371400-01	Window, Main door, Etched
11. 115208	Trim ring, Main door window
12. 114658	Inner door, "Z" bar, Upper & lower
13. 114657	Hat section, Formed, Main door
14. 115413	Door hat section
15. 382069	Deadbolt, Round, Trimark
16. 203370	Spacer, Trimark door Latch
385595	Pocket strike, Main door
381547-04	Striker bolt w/washer, Main door lock
453851	Bolt, Trimark, Deadbolt
380290	Housing latch
380291	Latch
201056	Striker, Main door, Black plastic
203494	Base plate, Door latch
114363	Drip cap, Main door
114507-03	Trim, Main door
454898	Nut plate, Main door
101171-02	Grab handle, Cast Aluminum, silver painted
101171-03	Grab handle, Raw Aluminum
382074	Gasket, Grab handle, Main door

# 2022 BAMBI DOORS, WINDOWS, AWNINGS

## Screen Door



Parts Listed on Next Page

# 2022 BAMBI

## DOORS, WINDOWS, AWNINGS

### Screen Door

114654	Screen door, LH hinge
114654-01	Screen door, RH hinge
1. 104782-186	Extrusion, Frame
2. 114648-01	Kick panel
3. 114561-01	Panel, Slider
4. 104784-78	Extrusion, Screen door stiffener
5. 380079	Screen, Gray
385577-02	Tape, Clear, 1-7/8" wide
380004	Handle with 8/32" x 1 screw
683946	Bug seal, Edge of screen door close out
203287-02	Close out, Plastic
115171-01	Screen door guard, Top
115171-02	Screen door guard, Bottom
0404-0001	Spline, Gray
701624	Velcro, loop 5/8" wide
701625	Velcro, hook 5/8" wide
381454	Screen door hold back latch, Bullet
381531-01	Hinge, Upper
381531-02	Hinge, Lower

## 2022 BAMBI DOORS, WINDOWS, AWNINGS

### Access Door, Exterior Shower

602326	Exterior shower
602326-100	Shower head w/hose & mixer
602326-101	Exterior shower door
602326-101P	Pin for shower door
602326-101S	Spring for shower door
602326-102	Clip for shower head

### Access Door, Water Heater

690769-03	Water heater door, Grey
-----------	-------------------------

### Access Door, Side, Small

923467	Frame Assembly, Compartment Door, Small
923467-01	Compartment Door Assy, Small
116054	Extrusion-Compartment Door Frame
382650	Seal, Compartment Door
382230-03	Latch, Compression, Locking
382638-1	Hinge, Compartment Door
381065-10	10" Cable Support
382737	Gasket-Compartment Door Closeout

### Access Door, Large

923468	Frame Assembly, Compartment Door, Large
923468-01	Compartment door Assy, Large
116055-2	Frame, Compartment Door-Large
382650	Seal, Compartment Door
382230-03	Latch, Compression, Locking
382638-2	Hinge, Compartment Door, Large
381065-10	10" Cable Support
382737	Gasket-Compartment Door Closeout

## 2022 BAMBI DOORS, WINDOWS, AWNINGS

### Windows and Screens, 16'

371426-01	Window w/8" vent, 19.25 x 22.75, Silver
371426-02	Window, 44" x 24.25", Rear end, Vertical egress, Silver
371426-03	Window, 19.38" x 22.88", Fixed, Silver
371328	Front window, Silver
372088-101	Panoramic window, RS front, CS rear
372089-101	Panoramic window, CS front, RS rear
371400-01	Window, Main door, Etched
372173-03	Screen-Front Window Clear Frame

### Windows and Screens, 19'

371426-01	Window, 19.38 x 22.88, 8" Vent Silver
372173-03	Screen-Front Window Clear Frame
371426-07	Window - Hehr - Silver
371328	Front window, Silver
372088-101	Panoramic window, RS front, CS rear
372089-101	Panoramic window, CS front, RS rear
371400-01	Window, Main door, Etched

### Windows and Screens, 20'

371426-01	Window, 19.38 x 22.88, 8"Vent Silver
371426-04	Window, 28.38 x 29.88, Egr. Silver
371426-05	Window, 26.25 x 19.25, 8"Vent Silver
371426-06	Window-28.38 x 29.88 8"Vent Silver
372173-03	Screen-Front Window Clear Frame
371328	Front window, Silver
372088-101	Panoramic window, RS front, CS rear
372089-101	Panoramic window, CS front, RS rear
371400-01	Window, Main door, Etched

### Windows and Screens, 22'

371426-01	Window-19.38 x 22.88 8"Vent Silver
371426-04	Window-28.38 x 29.88 Egr. Silver
371426-05	Window-26.25 x 19.25 8"Vent Silver
371426-06	Window-28.38 x 29.88 8"Vent Silver
372173-03	Screen-Front Window Clear Frame
371328	Front window, Silver
372088-101	Panoramic window, RS front, CS rear
372089-101	Panoramic window, CS front, RS rear
371400-01	Window, Main door, Etched

# 2022 BAMBI

## DOORS, WINDOWS, AWNINGS

### Window Stone Guards

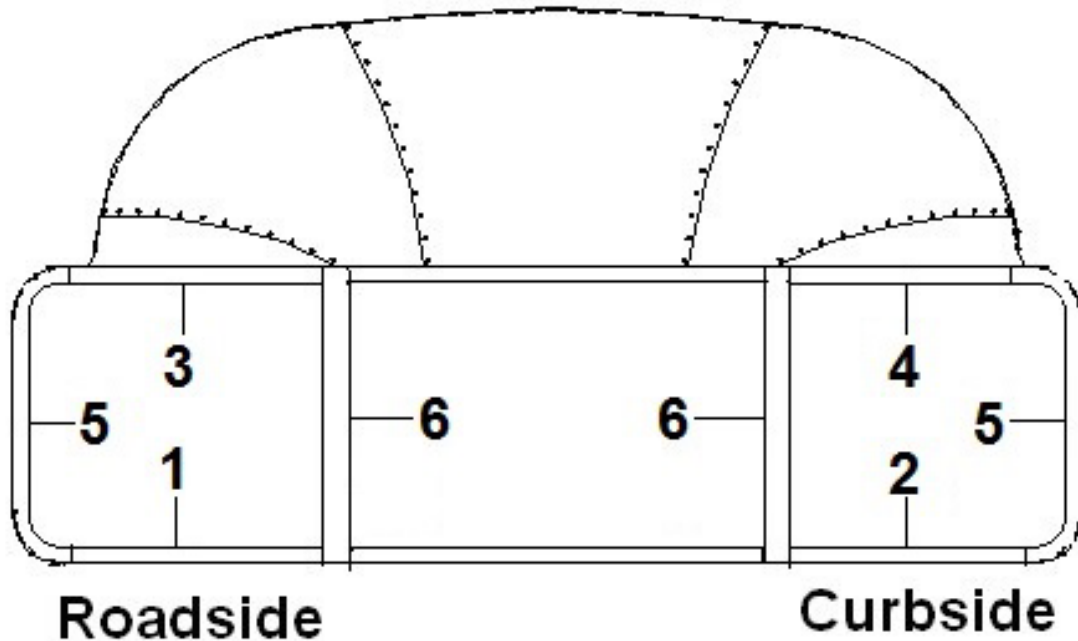
685275-100	3-Piece rock guard set
685275-101	Curbside wrap, Solar Gray stone guard
685275-102	Roadside wrap, Solar Gray stone guard
685275-103	Rock guard, Center piece only
685361	Bracket for rubber receptacle, Lower
685361-01	Bracket for rubber receptacle, Upper
685355	Slip joint hinge, RS
685363	Slip joint hinge, CS
685354	Front window key
683960	Arm support, 16'
114749	Hinge "Y"
114750	Hinge "J"
381021-01	Latch, Draw flexible
114815-01	Extrusion, Frame, Aluminum
685351	Rubber frame, Black
101401	Extrusion, Door latch housing

# 2022 BAMBI DOORS, WINDOWS, AWNINGS

## Window Trim

112506-16	Window trim ring, 44 x 24.19, 16'
112506-11	Window trim ring, 19.38 x 22.75, 16', 19', 20', 22'
112506-12	Window trim ring, 26.25 x 19.25, 19', 20', 22'
112506-17	Window trim ring, 28.25 x 29.75, 20', 22'
115208	Trim ring, Main door window

## Panoramic Window Trim



- |              |                              |
|--------------|------------------------------|
| 1. 201579-02 | Trim ring, Lower, Aluminum   |
| 2. 201580-02 | Trim ring, Lower, Aluminum   |
| 3. 201581-05 | Trim ring, Upper, Aluminum   |
| 4. 201581-06 | Trim ring, Upper, Aluminum   |
| 5. 201578-02 | End cap, Trim ring, Aluminum |
| 6. 110900-03 | Trim formed, Aluminum        |



# 2022 BAMBI

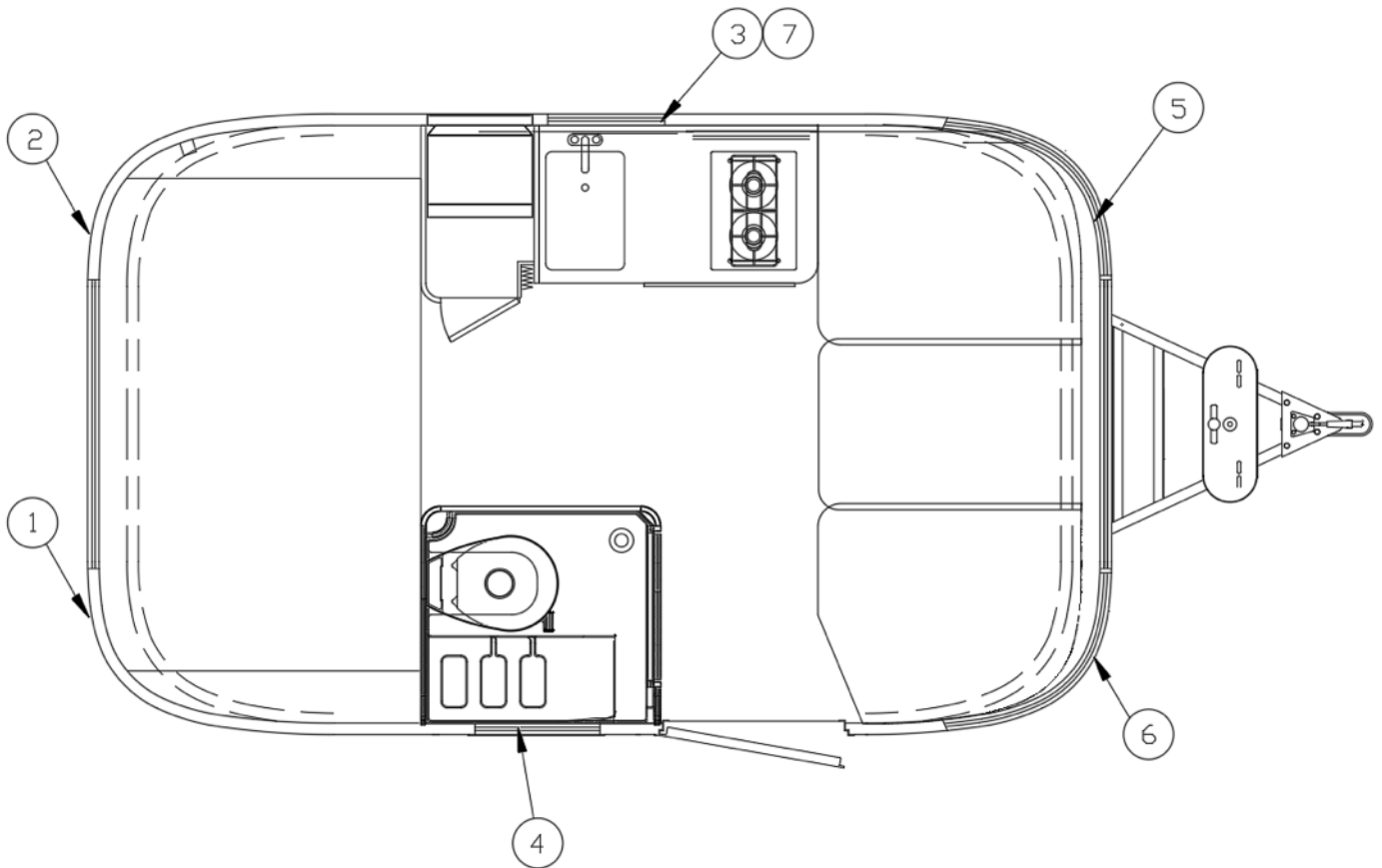
## DOORS, WINDOWS, AWNINGS

### Awnings, Patio

703727-06	Patio Awning, 6' 8.25", 16'
703727-08	Awning- Patio 9'8", 19'
703727-09	Awning- Patio 11'3", 20'
703727-02	Patio awning, 12'5.25", 22'
703727-01	Hardware package, Zip Dee
385577	Tape, Clear wear strip, 3.5" wide
115578	Doubler plate

# 2022 BAMBI CURTAINS AND BLINDS

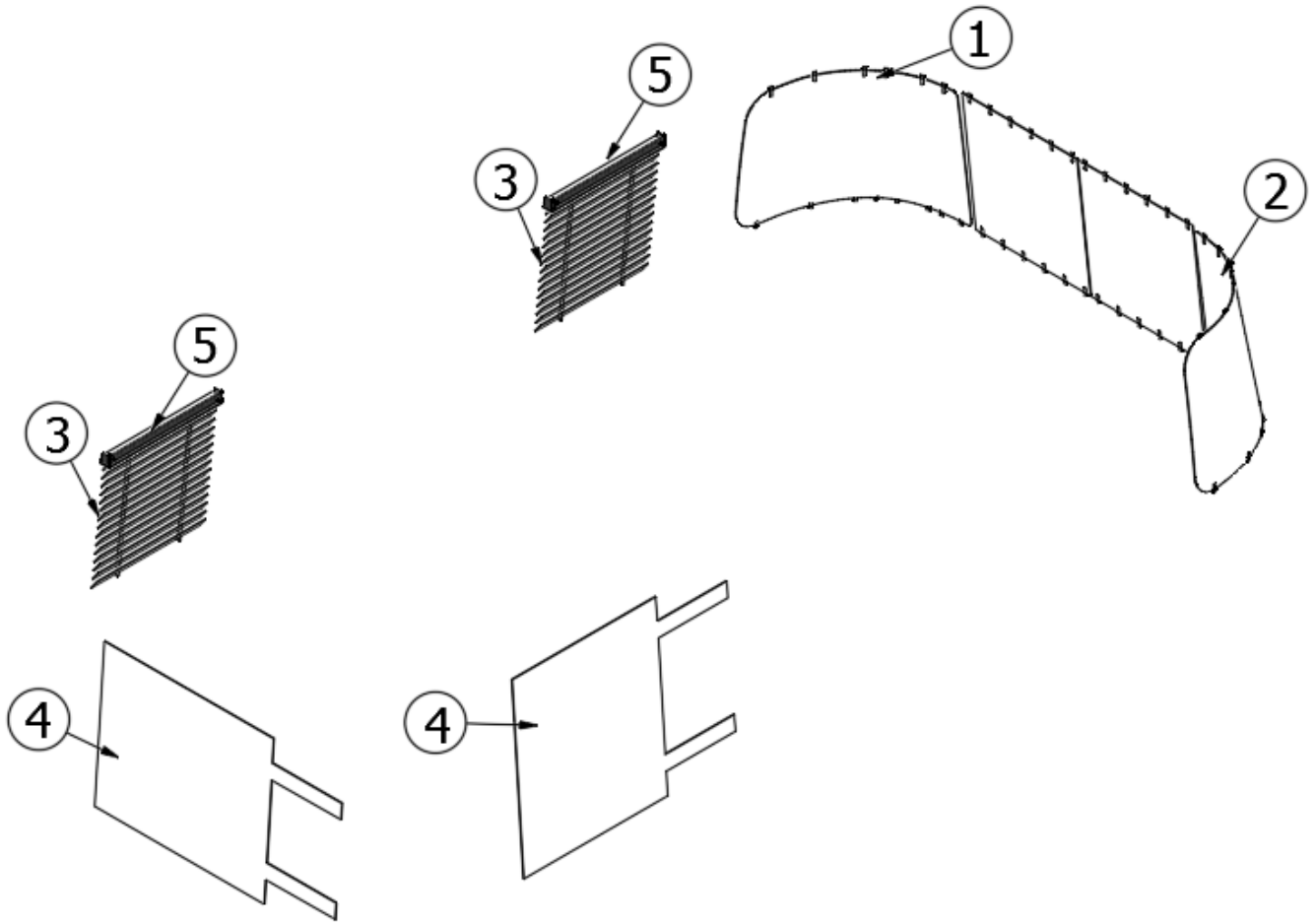
## Curtains and Blinds, 16'



- |              |                                       |
|--------------|---------------------------------------|
| 1. 998228-02 | Panel Assy-Curtain Blackout CS        |
| 2. 998228-01 | Panel Assy-Curtain Black Out RS       |
| 3. 703191-04 | Blind Mini Metal 21 x 23 Brush Alum   |
| 4. 703445-05 | Shade-Pull 21 x 34 White              |
| 5. 998227-01 | Panel-Curtain Blackout (Wrap Wind)    |
| 6. 998227-02 | Panel-Curtain Black Out (Wrap Win)    |
| 7. 115425-05 | Valance-Alum. 22.13"                  |
| 969241       | Shower Curtain Track Assy             |
| 703467-01    | Shower Curtain 16'bambi Sq Corners    |
| 703467-03    | Shower Curtain Strap 16' (2 Per Unit) |
| 703467-04    | Shower Curtain- 16 SP                 |

# 2022 BAMBI CURTAINS AND BLINDS

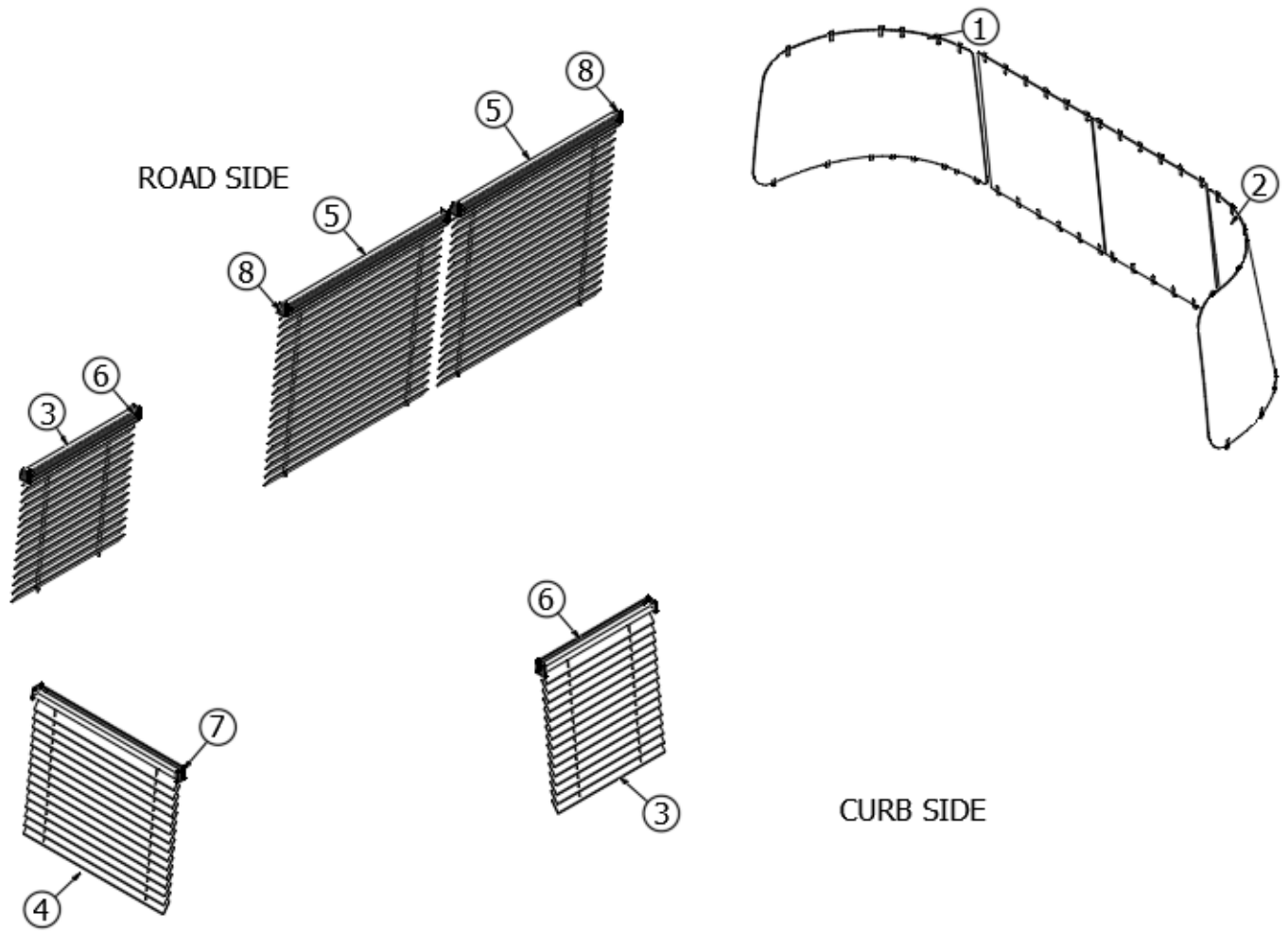
Curtains and Blinds, 19'



- |              |                                     |
|--------------|-------------------------------------|
| 1. 998227-01 | Panel-Curtain Blackout (Wrap Wind)  |
| 2. 998227-02 | Panel-Curtain Black Out (Wrap Win)  |
| 3. 703191-04 | Blind Mini Metal 21 x 23 Brush Alum |
| 4. 998144-17 | Drape W/Tieback 33 x 25.50          |
| 5. 115425-04 | Valance-Alum. 21.75 Sport           |

# 2022 BAMBI CURTAINS AND BLINDS

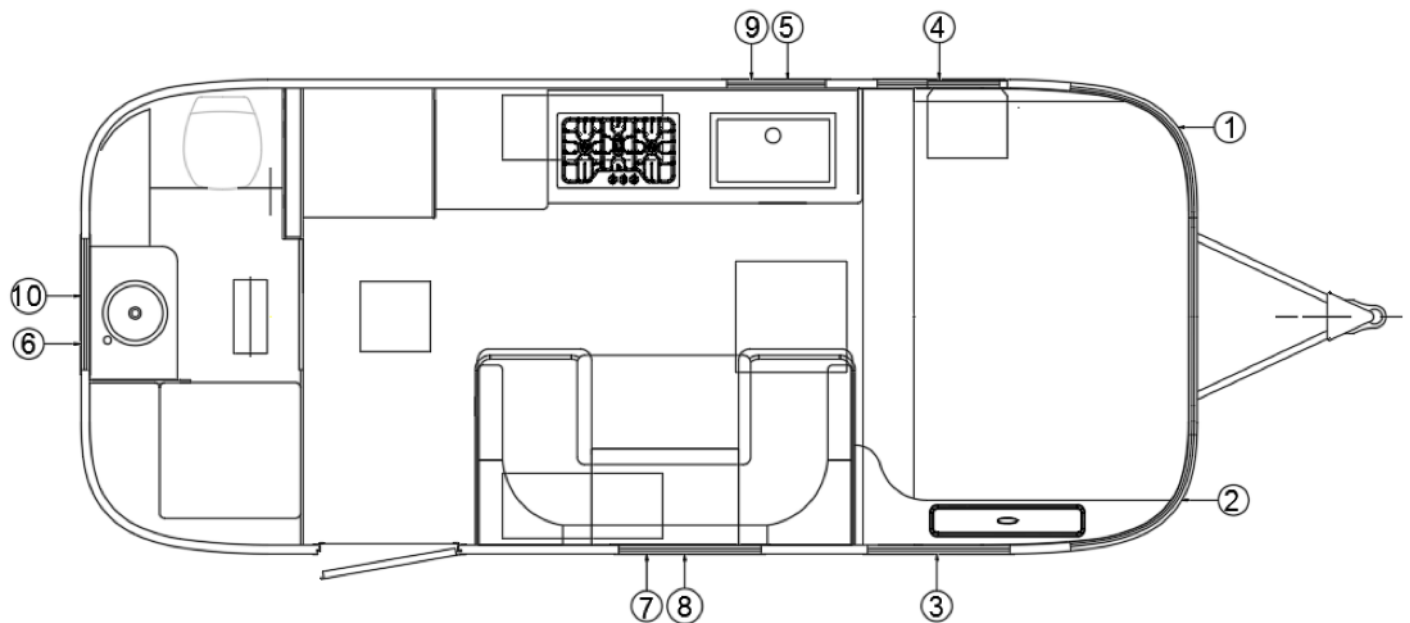
Curtains and Blinds, 20'



- |              |                                    |
|--------------|------------------------------------|
| 1. 998227-01 | Panel-Curtain Blackout (Wrap Wind) |
| 2. 998227-02 | Panel-Curtain Black Out (Wrap Win) |
| 3. 703191-04 | Blind Mini Metal 21x23 Brush Alum  |
| 4. 703191-07 | Blind, Mini-Metal 27.5W x 22L      |
| 5. 703191-22 | Blind-31 x 32" Alum Mini           |
| 6. 115425-04 | Valance-Alum 21.75" Sport          |
| 7. 115425-06 | Valance-Alum 28.25" Bambi          |
| 8. 115425-02 | Valance-Alum 31.75" Sport          |

# 2022 BAMBI CURTAINS AND BLINDS

Curtains and Blinds, 22'



- |               |                                     |
|---------------|-------------------------------------|
| 1. 998227-01  | Panel-Curtain Blackout (Wrap Wind)  |
| 2. 998227-02  | Panel-Curtain Black Out (Wrap Wind) |
| 3. 998144-15  | Drape-Bedroom Panel CS              |
| 4. 998144-16  | Drape-Bedroom Panel RS              |
| 5. 703191-04  | Blind Mini Metal 21 x 23 Brush Alum |
| 6. 703191-07  | Blind, Mini-Metal 27.5 x 22         |
| 7. 703191-22  | Blind-31 x 32 Alum Mini             |
| 8. 115425-02  | Valance-Alum 31.75" Sport           |
| 9. 115425-04  | Valance-Alum. 21.75 Sport           |
| 10. 115425-06 | Valance-Alum 28.25" Bambi           |

## 2022 BAMBI CURTAINS AND BLINDS

### Curtains and Blinds Hardware

704198	Fabric lining blackout, Ivory White
700045	Glides, Curtain G3 w/elastic
700020	Pile, Velcro
700005	Fastener, Cap
700006	Fastener socket
700021	Hook, Velcro, White
101225	Extrusion, Aluminum curtain track
101217	Extrusion, Curtain track
100097	Extrusion, Curtain track
101220	Track, Stand-off, Curtain
200784	Ends, Curtain track, RH, White
200785	Ends, Curtain track, LH, White

## 2022 BAMBI ELECTRICAL, 110 VOLT

### Shore Line Cord

513797 Inlet-30 A, Smart plug, Gray  
513809 Smart plug 30A RV Cordset

### Smart Plug:

513797 30-amp Grey Plastic Inlet  
513809 30-amp cord 30'

### Converter

512237 Power center, AC/DC, Black  
510743 Ground bar, 3 ½" Long

### Breakers

510564-03 Breaker Bryant 15-15  
510564-04 Breaker, Type BRD, BD 20-20  
510564-05 Breaker, Type BRD, BD 30-20  
510564-07 Breaker Bryant 15 GFI

### Junction Boxes

513867 Junction box, 7-way

### Receptacles

500563-03 Receptacle, Self-contained, White  
500563-04 Wall plate w/screws for 500563-03, White  
512741 Weatherproof cover w/gasket, Gray  
512589 Receptacle, Duplex, 16 amp, White  
512481-01 Receptacle, 20 Amp, Single, White  
511814-01 Receptacle, Duplex, Self-contained, Gray  
511814-02 Plate, Decorator, 1 gang, Gray  
512562 Receptacle gasket, Neoprene w/adhesive

## 2022 BAMBI ELECTRICAL, 12 VOLT

### Battery and Battery Box

511828-DS	Battery, 12V deep cycle, AGM (when solar equipped)
204111	Battery box
500836-02	Positive battery cable
500837	Negative battery cable
512049-02	Cable-Jumper 6 Ga Black 7.75"
512049-06	Cable Jumper 6 Ga. Red 22"

### Airstream Power Plus

513862	Lithium battery, 12V, Battle Born
513889	Converter, Li charge profile, WFCO
386433	Label, Lithium battery notice

### 7-Way Cable

513905	7-way cable w/plug
--------	--------------------

### Switches and USB Ports

511977	Switch, Single, Black
510658	Switch w/weather-proof boot
511999	Switch, 2 gang, Black
513133-01	USB, Front mount, Dual, Non-lighted, Black



## 2022 BAMBİ ELECTRICAL, 12 VOLT

### Battery Disconnect

510626 Switch, Master battery disconnect

### Breakaway Switch

514012 Breakaway switch, Tekonsha

454526 Bracket, Breakaway switch

201267-03 Convoluted conduit, 3/8"

### Monitor System

513168 Monitor, Tank System Kit, 16'

513168-01 Flush Mount Monitor Panel Only for 513168

512566-01 Flush mount monitor panel only

512566-02 Sender pad

512951-01 Harness, See level pad, 4' Long

512951-02 Harness, See Level pad, 8' Long

512951-03 Harness, See Level pad, 12' Long

### Breakers

510947-20 Breaker, 12V DC, Type II

510947-30 Breaker, 12V DC, Type II

510947-50 Breaker, 12V DC, Type II

### Fuses

500773-01 Fuse, ATC 12VDC, 1 amp

500773-15 Fuse, ATO 12VDC, 15 amp

500773-20 Fuse, ATO 12VDC, 20 amp

### Solar Panel System

513475-08 Charge controller display, Victron

513475-01 Charge controller, BlueSolar

513047-01 Solar panel, 90 watt, Zamp

513047-02 Solar panel mounting feet, Zamp

513586 Triple port solar cap

513033 Bracket, Portable solar panel port

365409 Gasket, Solar panel bracket

340305 Solar panel wire clip

340308 Clip, Solar panel

# 2022 BAMBI

## ELECTRICAL, 12 VOLT

### Interior Lights

513961	Light, LED Shower
513706	Light-Switched Led-Double
513707	Light-Switched Led-Single

### Exterior Lights

513660	Step light, Directional, Chrome
512860	LED clearance light, Red
512928	Curved bezel w/gasket, Required for 3 top lights
512859	Clearance Light, Amber
382389	Clearance light gasket
512409	License plate holder
512533	Auxiliary light, LED, Surface mount

### Tail Light Assembly

511860-01	Light, 4" LED, Red
513099	Bezel, 4" round, Chrome w/visor
381873	Gasket, Taillight

### Wireless Backup Camera

512946-01	Kit, Digital wireless observation
512946-02	Voyager digital autopair camera
512946-102	Voyager 5.6" LCD monitor
512946-100	Antenna
365392	Gasket, Backup camera
382225	Grommet, .5", Black

## 2022 BAMBI ENTERTAINMENT

### Audio

513840 Radio, Sony A415BT  
511339-01 Speaker, Audiovox, 5.25"  
511339-02 Speaker grill, White, 6"

### Video

513594-03 Antenna-TV, King - White-Omni Pro Digital  
382653 Gasket Plug - Cable Hole - Antenna  
382652 Gasket - King Omni Pro Antenna  
513684 Inlet, TV, Gray  
513302 Wall plate w/HDMI & coax connections  
513444 Wall plate, HDMI  
513709 Wall Plate - Power Supply  
512499-01 Cable-Mini Coax 64"

## 2022 BAMBI ENTERTAINMENT

### TV Install, 16'

690745	TV/DVD Combo-Connexx
512526-01	Arm, Articulating, Tilt
512499-01	Cable, Mini Coax, 64"
382184	Sleeving, .75"Flexo Braided Split
340300	Clip-Cable Holder 1.5"#7572K18

### TV Install, 19'

690745	TV/DVD Combo-Connexx
512526-01	Arm, Articulating, Tilt
512499-01	Cable, Mini Coax, 64"
382184	Sleeving-.75"Flexo Braided Split
340300	Clip-Cable Holder 1.5"#7572K18
968699	ASSY-Closeout/Shelf-TV

### TV Install, 20'

690745	TV/DVD Combo-Connexx
512526-01	Arm, Articulating, Tilt
512499-01	Cable, Mini Coax, 64"
382184	Sleeving-.75"Flexo Braided Split
340300	Clip-Cable Holder 1.5"#7572K18
969097	Flat Screen TV Support

### TV Install, 22'

690745	TV/DVD Combo-Connexx
512457	Swing Arm Mount-Double Swing Arm W/Lock
512499	Cable-Mini Coax 48"
382184	Sleeving-.75"Flexo Braided Split
340300	Clip-Cable Holder 1.5"#7572K18

## 2022 BAMBI FLOOR COVERING

### Floor Mats

704942 Matt, Entrance, Airstream logo

### Flooring

204138 Composite floor, 16'  
204139 Composite floor, 19'  
204140 Composite floor, 20'  
204141 Composite floor, 22'  
704652 Flooring - Natural Oak 936L, Bambi  
203594-02 Floor trim, Ash Grey  
203727 Foil, Single bubble flex  
360404 Adhesive, Weather seal hybrid  
360409 3M, Dent filler compound

# 2022 BAMBI

## FURNITURE, INTERIOR DOORS

### Doors, Roof Locker

967104-09	Door-Tambour 13.5 x 28.625
967104-10	Door-Tambour 12.5 x 22.25, 19', 20'
967104-11	Door-Tambour 9.88 x 23.75, 20'
967104-12	Door-Tambour 12.50 x 21.31, 16'
967104-13	Door-Tambour 12.5 x 28.25, 22'
203748	Track-Tambour 98" Sterling
101265-01	Extrusion, Tambour door handle, Black
201163-01	End cap, Tambour door handle, Black
801783	Tambour, 4 x 8 sheet, Brushed Aluminum

### Door, Foldette, 16'

382674	Track-Formed - Foldette Door
704674	Curtain, Dividing

### Door, Foldette, 19'

382295	Track-Plastic Gray Straight
704674	Curtain, Dividing, 51 x 76" With Tieback, Bambi

### Door, Foldette, 20'

382295	Track-Plastic Gray Straight
704657	Curtain-Dividing 51 x 76" W/Tie Back-Bambi

### Door, Shower

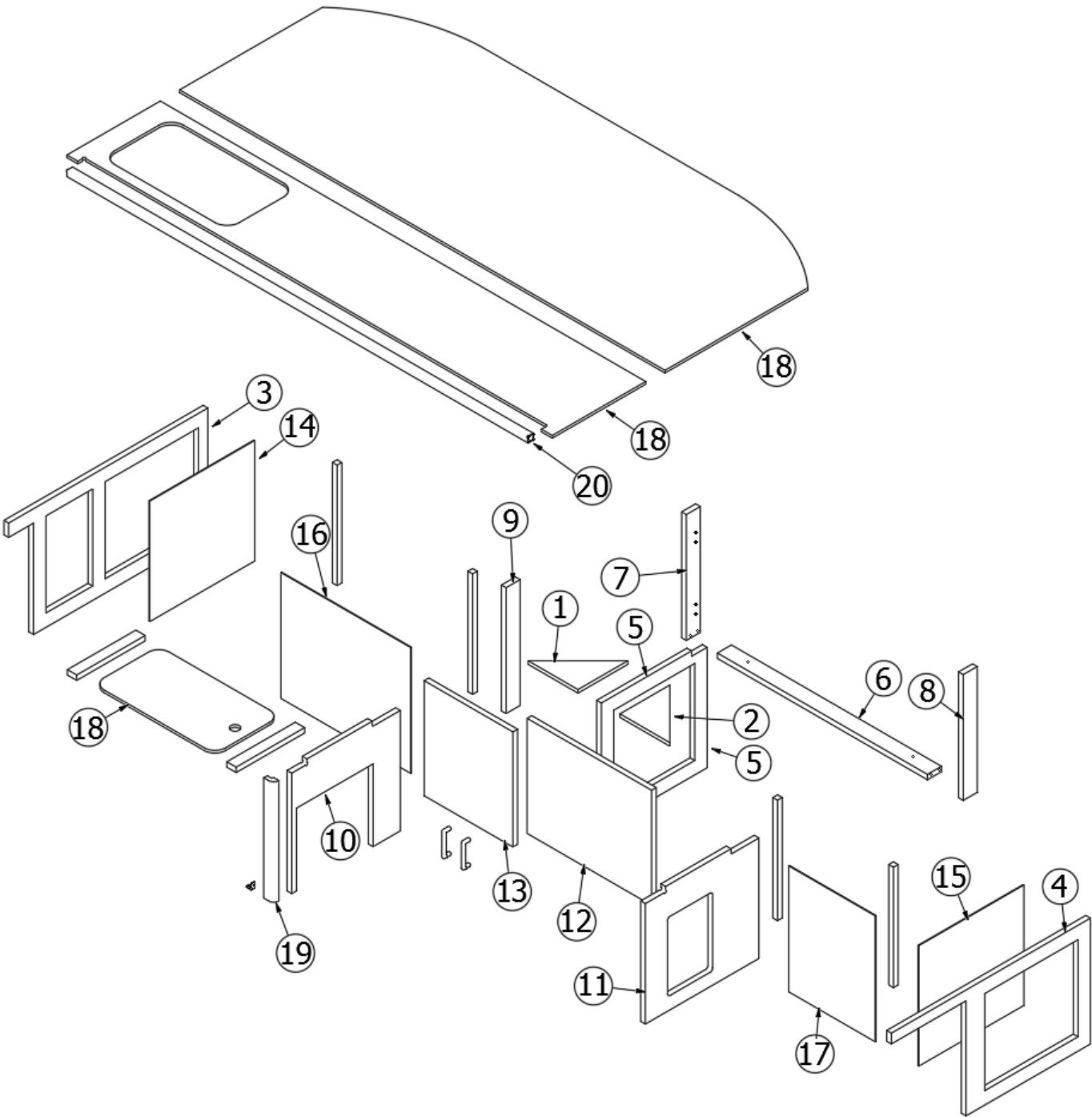
703467-01	Shower curtain, 16'
704755	Shower door, Pleated, 19', 20'
703725	Shower door, 22'

### Drawer Slides

382807-08	Drawer Slide 18" Self-Close
382807-07	Drawer Slide 15" Self-Close
382807-01	Left Front Fixing Clip
382807-02	Right Front Fixing Clip
381400-01	Drawer slide, 12"

# 2022 BAMBI FURNITURE, BEDROOM

Bed, 16'



Parts Listed on Next Page

## 2022 BAMBI FURNITURE, BEDROOM

### Bed, 16'

969029

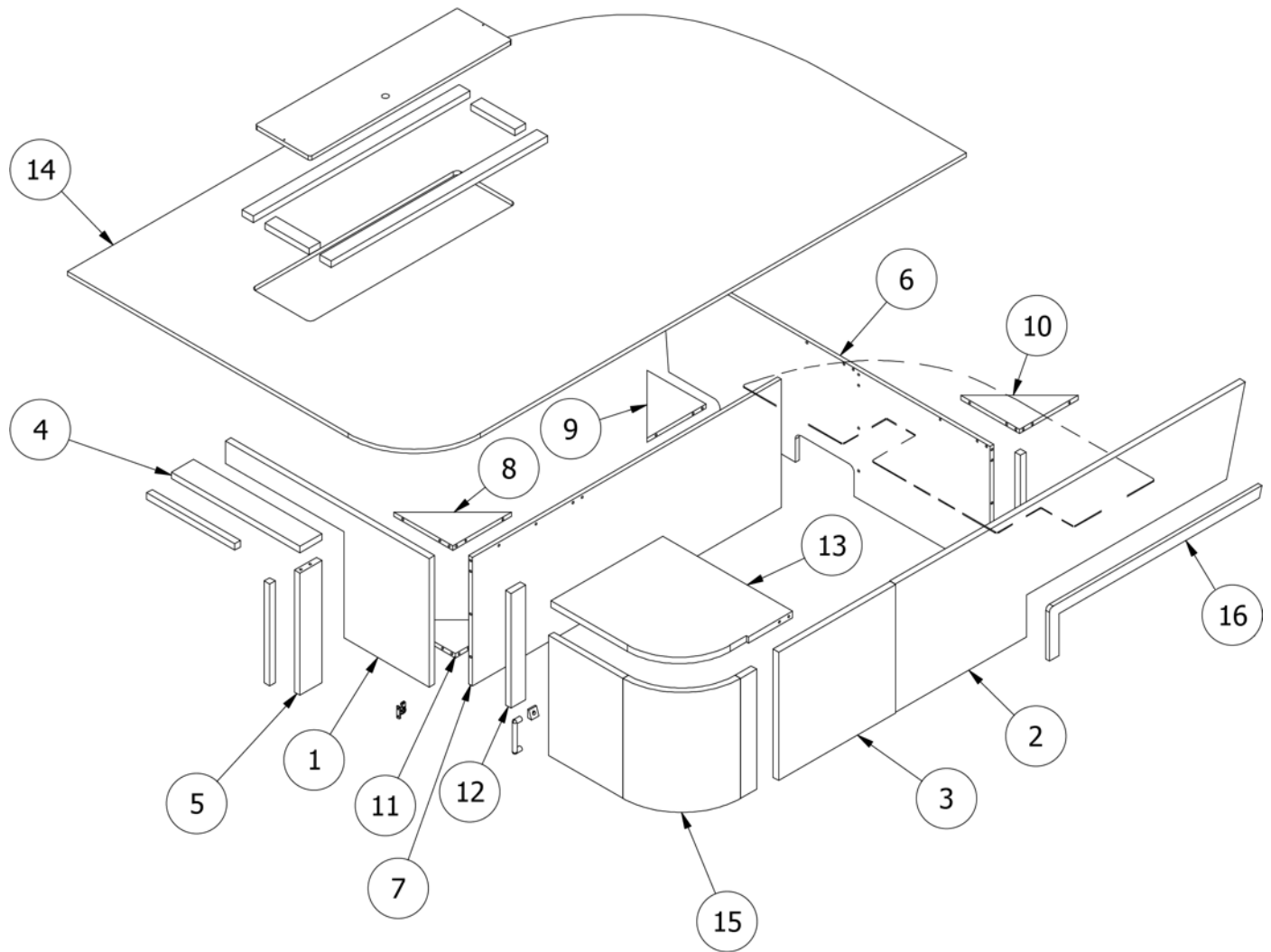
#### Bed Assembly

1. 969029&000112CC	Pre laminate, .5 x 8 x 8
2. 969029&000212CC	Pre laminate, .5 x 8 x 8
3. 969029&000318CC	Pre laminate, .75 x 18 x 32
4. 969029&000418CC	Pre laminate, .75 x 17.5 x 32
5. 969029&000518CC	Pre laminate, .75 x 18 x 17
6. 969029&000618CC	Pre laminate, .75 x 2.25 x 33.75
7. 969029&000718CC	Pre laminate, .75 x 2.25 x 17.5
8. 969029&000818CC	Pre laminate, .75 x 2.25 x 17.5
9. 969029&000918CC	Pre laminate, .75 x 2.25 x 17.5
10. 969029&001018BC	Pre laminate, .75 x 17.5 x 17.5
11. 969029&001118BC	Pre laminate, .75 x 18.25 x 17.5
12. 969029&001218BC	Pre laminate, .75 x 20 x 16
13. 969029&001318BC	Pre laminate, .75 x 14.25 x 16
14. 969029&001403CE	Pre laminate, .13 x 16.75 x 16.88
15. 969029&001503CE	Pre laminate, .13 x 16.75 x 16.88
16. 969029&001612CE	Pre laminate, .5 x 17.5 x 21
17. 969029&001703CE	Pre laminate, .13 x 17.5 x 13.88
18. 800507-03	Lauan 0.38
19. 969029&0024T06B	Hardwood Radius x 16.75
20. 100850	Aluminum Tube, 74
380041	Brace 1" Stanley Corner
380264	Corner Bracket #997 LGT 2IN x 5/8
381228	Catch Grabber Door C3-810
704128	Mattress-Pillow Top 47.5 x 78 SP
382044	Handle Brushed Nickel
381607-11	Hinge-Self Close Overlay 110D
381607-12	Baseplate-Grass 9.5 x 37/32



# 2022 BAMBI FURNITURE, BEDROOM

Bed, 19'



Parts Listed on Next Page

## 2022 BAMBI FURNITURE, BEDROOM

### Bed, 19'

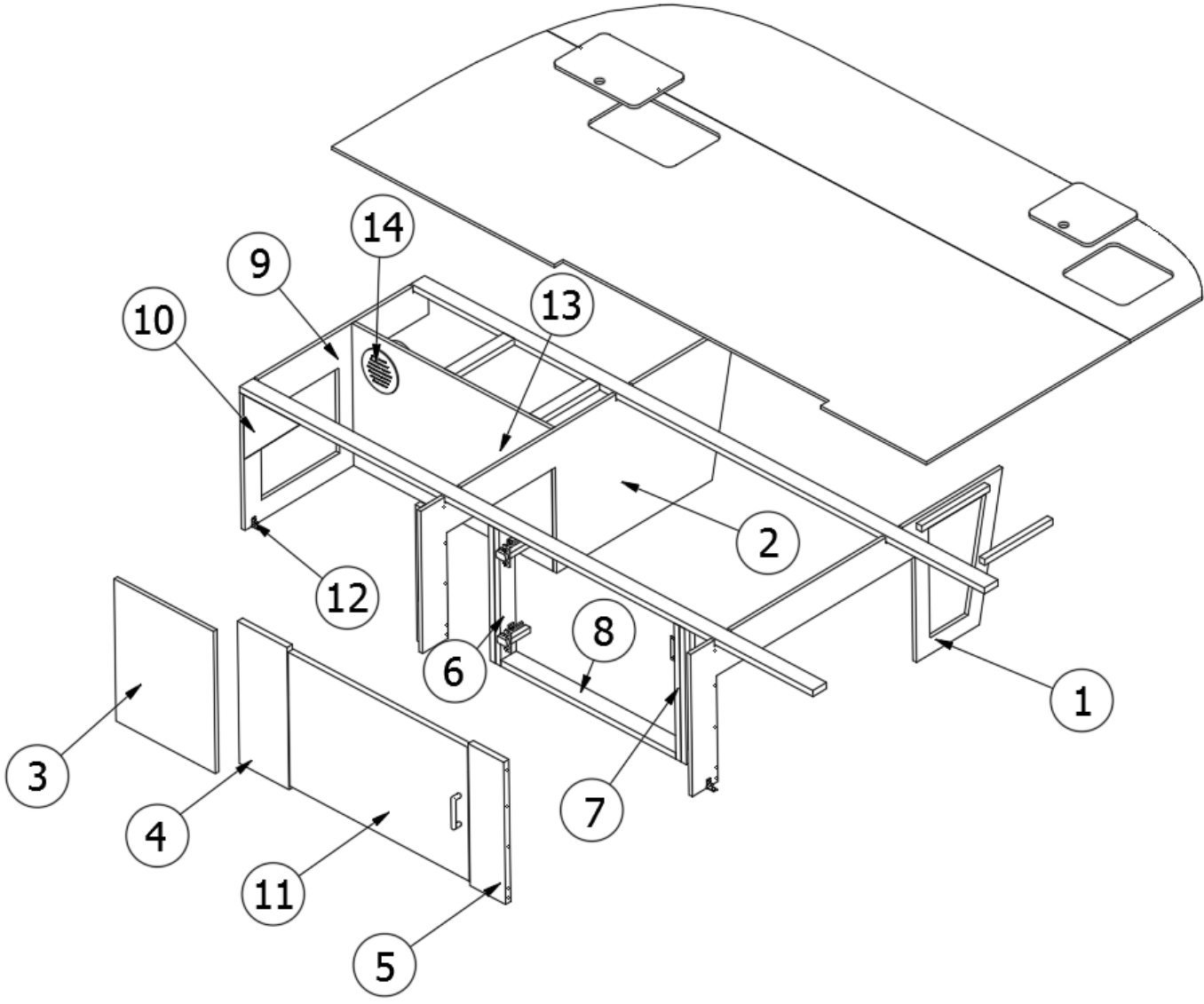
966926

#### Bed Assembly

1. 966926&000118BC	Panel, 27.75 x 15.13
2. 966926&000218BC	Panel, 47.63 x 15.13
3. 966926&000318BC	Panel, 16.19 x 15.13
4. 966926&000418BC	Panel, 3 x 17.5
5. 966926&000518BC	Panel, 2.25 x 12
6. 966926&000612CC	Panel, 44.75 x 15.13
7. 966926&000712CC	Panel, 42 x 15.13
8. 966926&000812CC	Panel, 8 x 8
9. 966926&000912CC	Panel, 8 x 8
10. 966926&001012CC	Panel, 8 x 8
11. 966926&001112CC	Panel, 8 x 8
12. 966926&001218CC	Panel, 13.5 x 2
13. 966926&001318CE	Panel, 17.63 x 15.19
14. 800507-03	Lauan, 75.12 x 47.14
15. 966925	Door Assy-Radius- Bed
16. 966926&003012BC	Panel, 28.87 x 6.25
204281	Storage box, 23.98 x 16.81 x 13.05
204283	Storage box, 12 x 16.81 x 6.6
381948	K-Catch
381853	Hinge-Continuous Alum Piano
203587	Wedge-Radius Bed Base Door
382044	Handle Brushed Nickel
365385-02	Edgebanding-White Cypress 15/16"
365385-01	Edgebanding-White Cypress 5/8"

2022 BAMBI  
FURNITURE, BEDROOM

Bed, 20'



Parts Listed on Next Page

## 2022 BAMBI FURNITURE, BEDROOM

### Bed, 20'

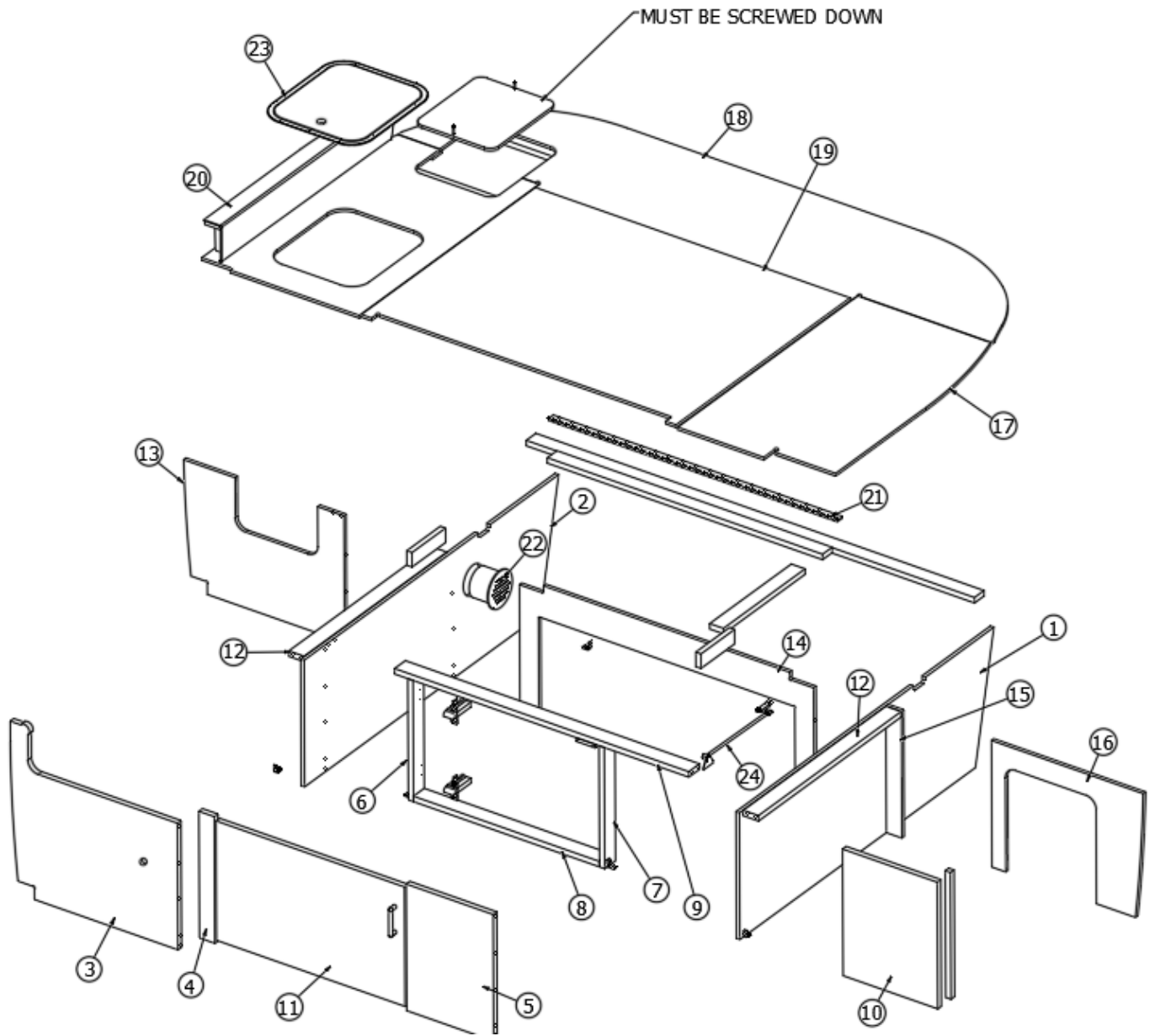
969094

#### Bed Assembly

1. 969094&000112BC Pre laminate, .5 x 45.96 x 17.5
2. 969094&000212BC Pre laminate, .5 x 46.33 x 17.5
3. 969094&000312BC Pre laminate, .5 x 14 x 17.5
4. 969094&000418BC Pre laminate, 17.5 x 7
5. 969094&000518BC Pre laminate, 17.5 x 5
6. 969094&000618CC Pre laminate, 16.75 x 2.25
7. 969094&000718CC Pre laminate, 16.75 x 2.25
8. 969094&000818CC Pre laminate, 2.25 x 24.63
9. 969094&001012CC Pre laminate, .5 x 17.5 x 27.25
10. 969094&001112CC Pre laminate, .5 x 8 x 8
11. 969094&001318BC Pre laminate, .75 x 25.25 x 16.5
12. 380041 Brace 1", Stanley Corner
13. 969094&002512CC Pre laminate, .5 x 17.5 x 28.11
14. 602394-03 Register 4" Directional
- 365385-02 Edgebanding-White Cypress 15/16"
- 382044 Handle Brushed Nickel
- 381607-14 Hinge Nickel Plated Self Closing
- 381228-02 Catch Grabber Door C3-805

# 2022 BAMBI FURNITURE, BEDROOM

Bed, 22'



Parts Listed on Next Page

## 2022 BAMBI FURNITURE, BEDROOM

### Bed, 22'

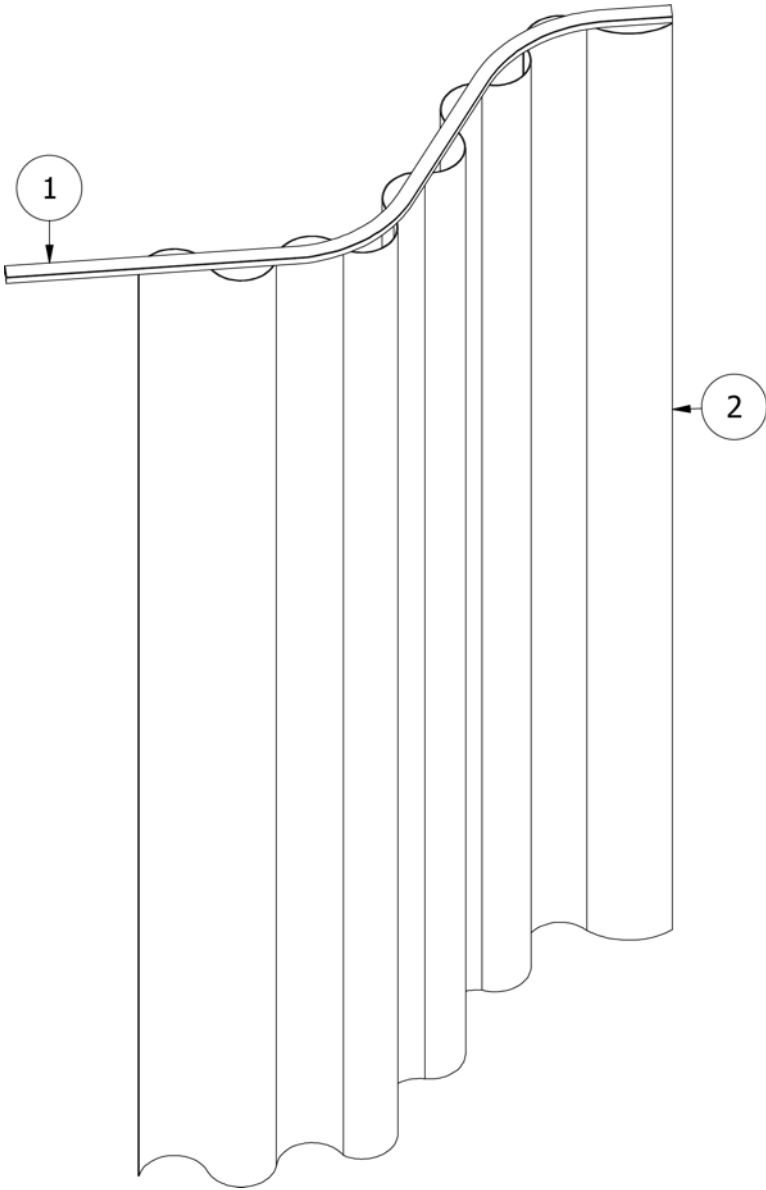
968946

Bed Assembly

1. 968946&000112BC	Pre laminate, .5 x 53 x 17.5
2. 968946&000212BC	Pre laminate, .5 x 53 x 17.5
3. 968946&000318BB	Pre laminate, .75 x 24.28 x 23.5
4. 968946&000418BC	Pre laminate, 2.25 x 17.5
5. 968946&000518BC	Pre laminate, 12.63 x 17.5
6. 968946&000618BC	Pre laminate, 2.25 x 16.75
7. 968946&000718BC	Pre laminate, 2.25 x 16.75
8. 968946&000818BC	Pre laminate, 2.25 x 27
9. 968946&000918BC	Pre laminate, 2.25 x 42.75
10. 968946&001018BB	Pre laminate, 13.75 x 17.5
11. 968946&001118BC	Pre laminate, .75 x 27.38 x 16.5
12. 968946&001318BC	Pre laminate, 2.25 x 29.75
13. 968946&001412CC	Pre laminate, .5 x 23.29 x 17.5
14. 968946&001512CC	Pre laminate, 17.5 x 42.75
15. 968946&001612CC	Pre laminate, 2.25 x 17.5
16. 968946&001712CC	Pre laminate, .5 x 22.04 x 17.5
17. 968946-18	Lauan, 21.73 x 37.5
18. 968946-19	Lauan, 17.75 x 86.12
19. 968946-22	Lauan, 45.75 x 36.25
20. 968483	Stand Off Assy - RS
21. 380203-02	Piano Hinge - Blk Anodized 72"
22. 602394-03	Register-Black 4" #HV4BK
23. 115812	Trim Ring-Dinette Seat
24. 381067-09	Spring, Gas 90 Pound
381084	Ball, Stud
382462	Bracket Assembly- Lower #LPB77
382463	Bracket Assembly-Upper #LPB26R
365385-01	Edgebanding-White Cypress 5/8"
365385-02	Edgebanding-White Cypress 15/16"
382044	Handle Brushed Nickel
380041	Brace 1" Stanley Corner
381228-02	Catch Grabber Door C3-805
381607-11	Hinge-Self Close Overlay

2022 BAMBI  
FURNITURE, BEDROOM

Privacy Panels, 16'

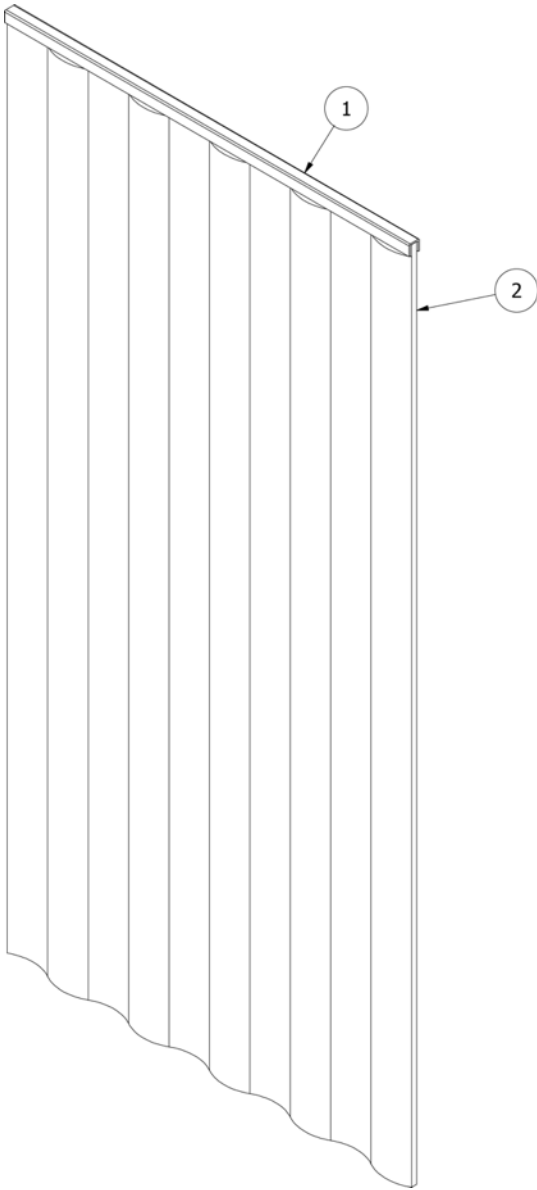


113058-02    Curtain, Privacy Panels Install

- 1. 382674    Foldette track, Formed
- 2. 704674    Curtain, Dividing

2022 BAMBI  
FURNITURE, BEDROOM

Privacy Panels, 19'



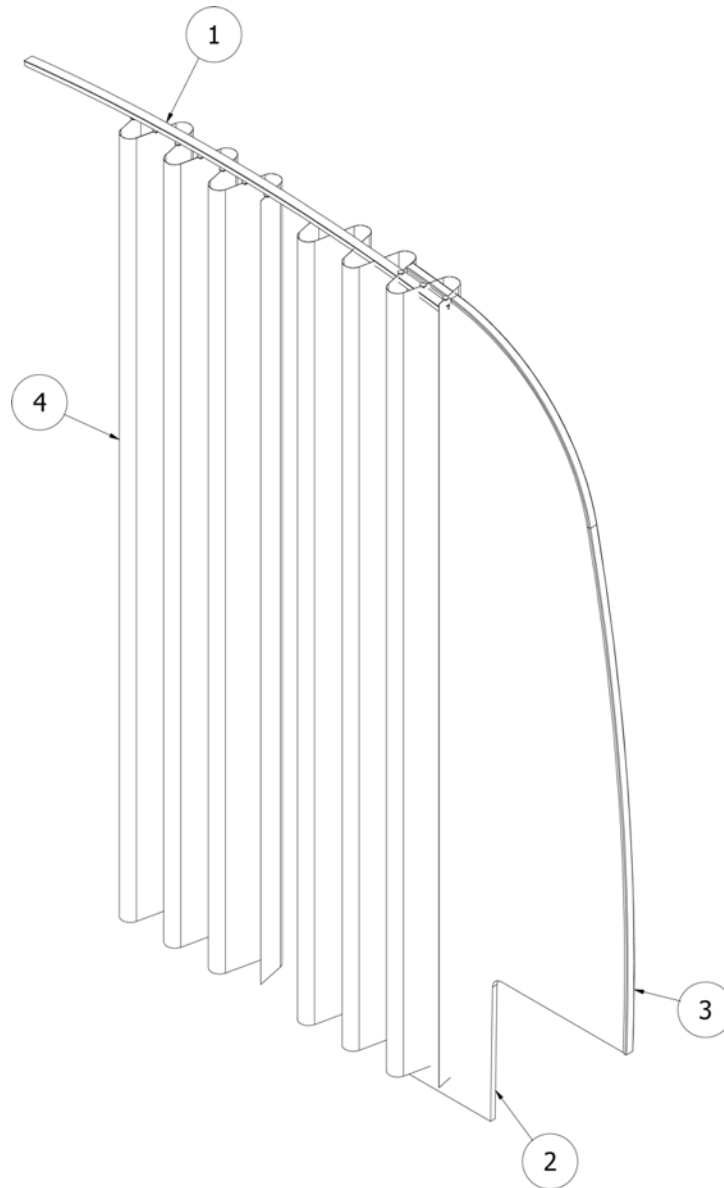
113075-01     Curtain, Privacy Panels Install

- 1. 382295     Track, 60", Plastic, Gray
- 2. 704674     Curtain, Dividing 51" x 76" W/Tie Back



# 2022 BAMBI FURNITURE, BEDROOM

## Privacy Panels, 20'



113072-01

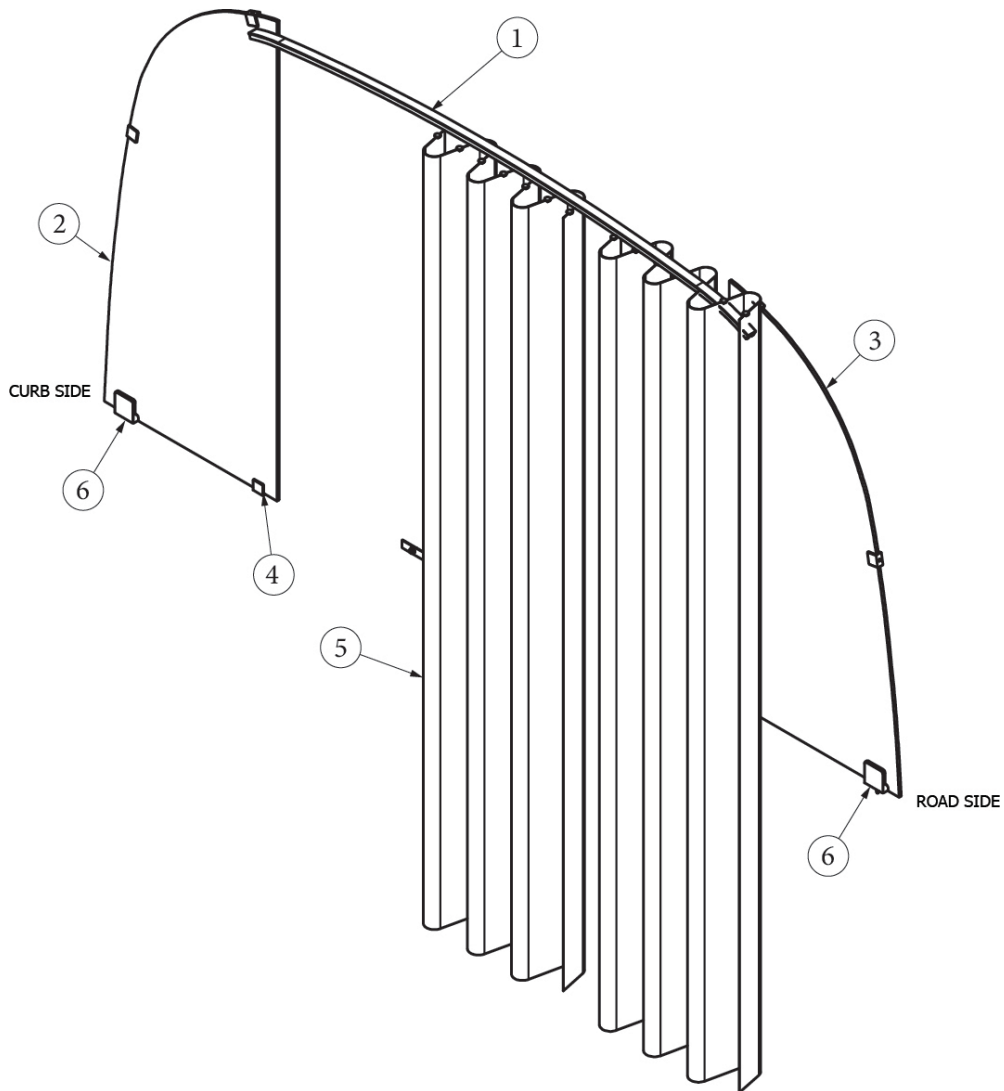
Curtain, Privacy Panels Install

- 1. 382295
- 2. 113072&010212BB
- 3. 113072&0004T03B
- 4. 704657  
365385-01

Track, 40", Plastic, Gray  
Pre-laminate, 24.71 x 78.14  
Extrusion, Plastic wall  
Curtain-Dividing 72" x 76" W/Tie Back  
Edgebanding-White Cypress 5/8"

# 2022 BAMBI FURNITURE, BEDROOM

## Privacy Panels, 22'

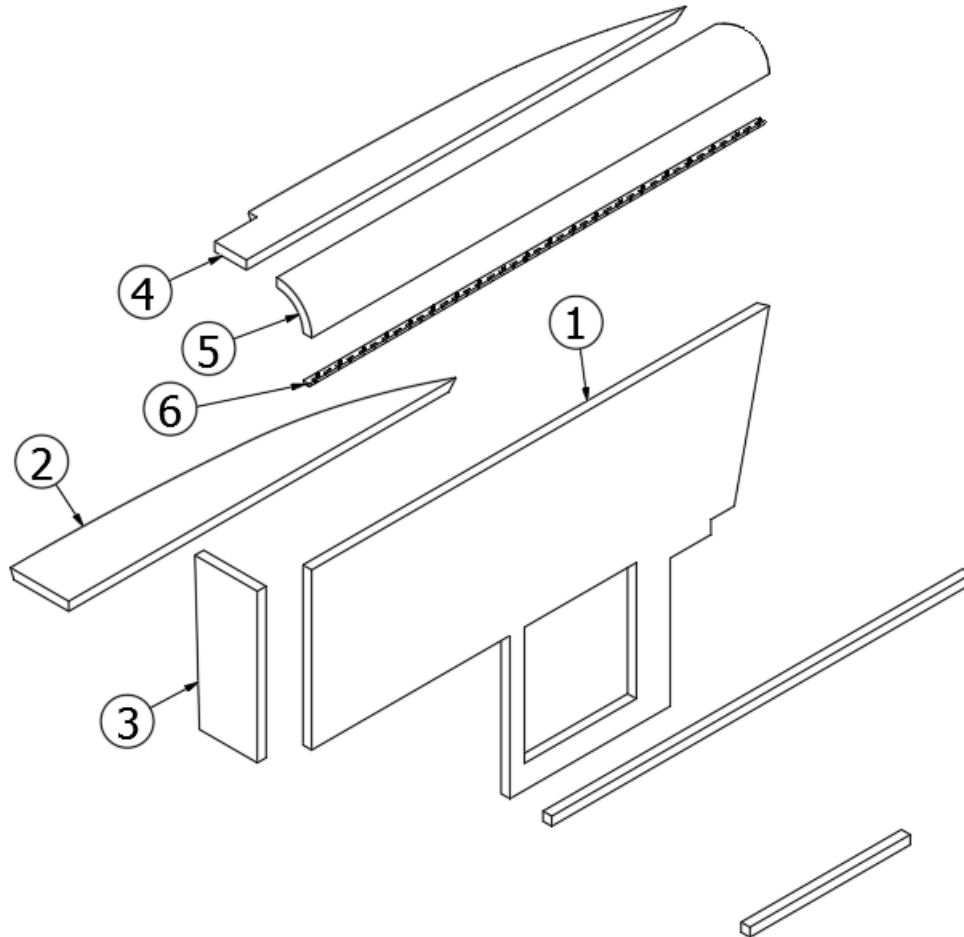


### 113002-01 Curtain, Privacy Panels Install

1. 382295 Track-Plastic Gray Straight
2. 204090 Acrylic Panel Divider - CS
3. 204091 Acrylic Panel Divider - RS
4. 381782 Pull-Glass Door Chrome Plated
5. 704657 Curtain-Dividing 72" x 76" W/Tie Back
6. 382829 Glass Clip - Through hole

# 2022 BAMBI FURNITURE, BEDROOM

Hamper, CS, 16'



969028

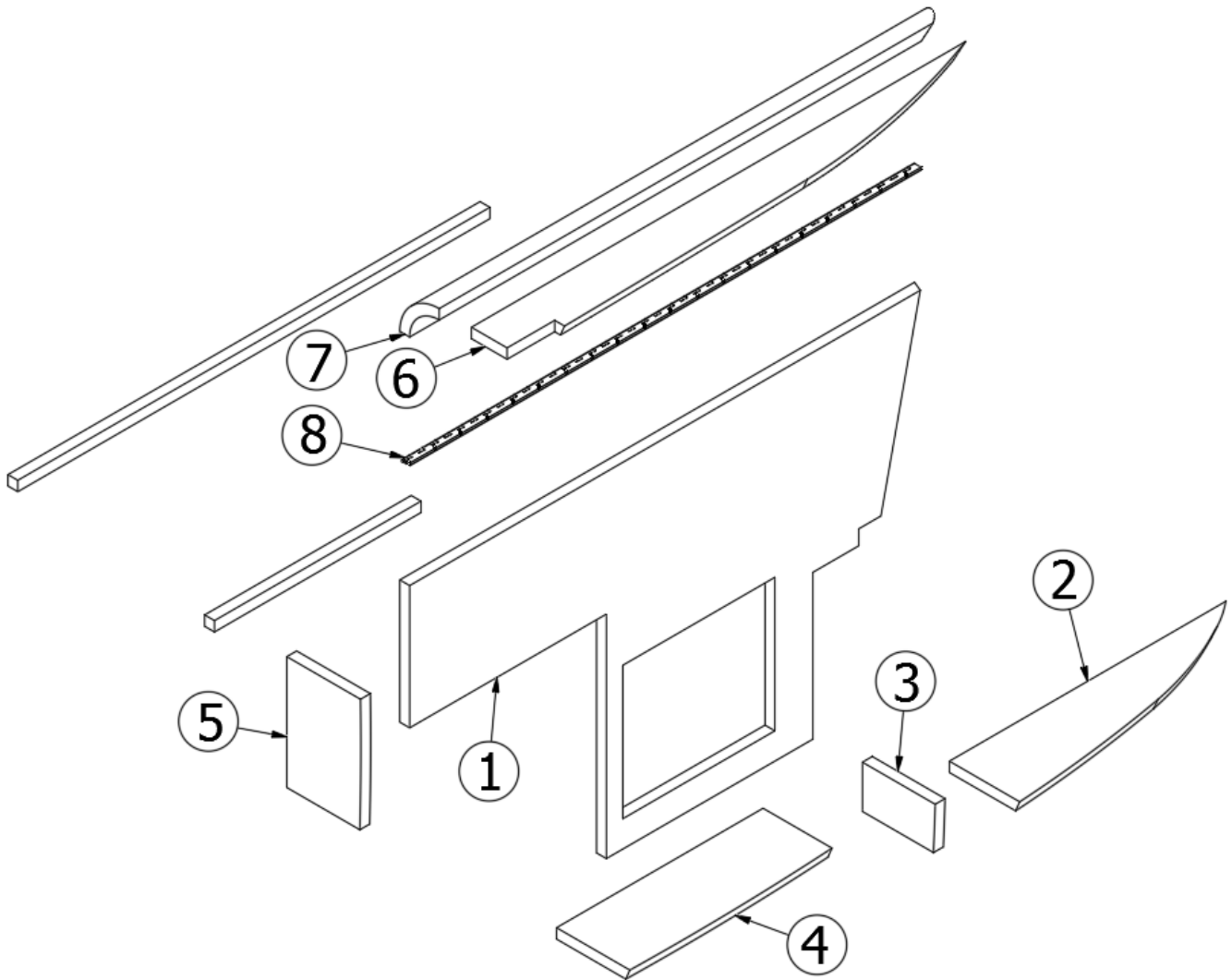
CS Hamper Assembly

- 1. 969028&000118CC
- 2. 969028&000218CC
- 3. 969028&000318CC
- 4. 969028&000418CC
- 5. 801345
- 6. 380458  
704233  
365386-02

- Pre laminate, .75 x 26 x 40
- Pre laminate, .75 x 5 x 33.75
- Pre laminate, .75 x 5.5 x 12.75
- Pre laminate, .75 x 3.5 x 38.00
- Radius Plywood .75"x 3"x 8'
- Hinge-Piano Copper Metallic Bake Enamel
- Vinyl-Aries Soft White W/.75" Foam
- Edgebanding-White Linen .94"

# 2022 BAMBI FURNITURE, BEDROOM

Hamper, RS 16', CS 20'



969027

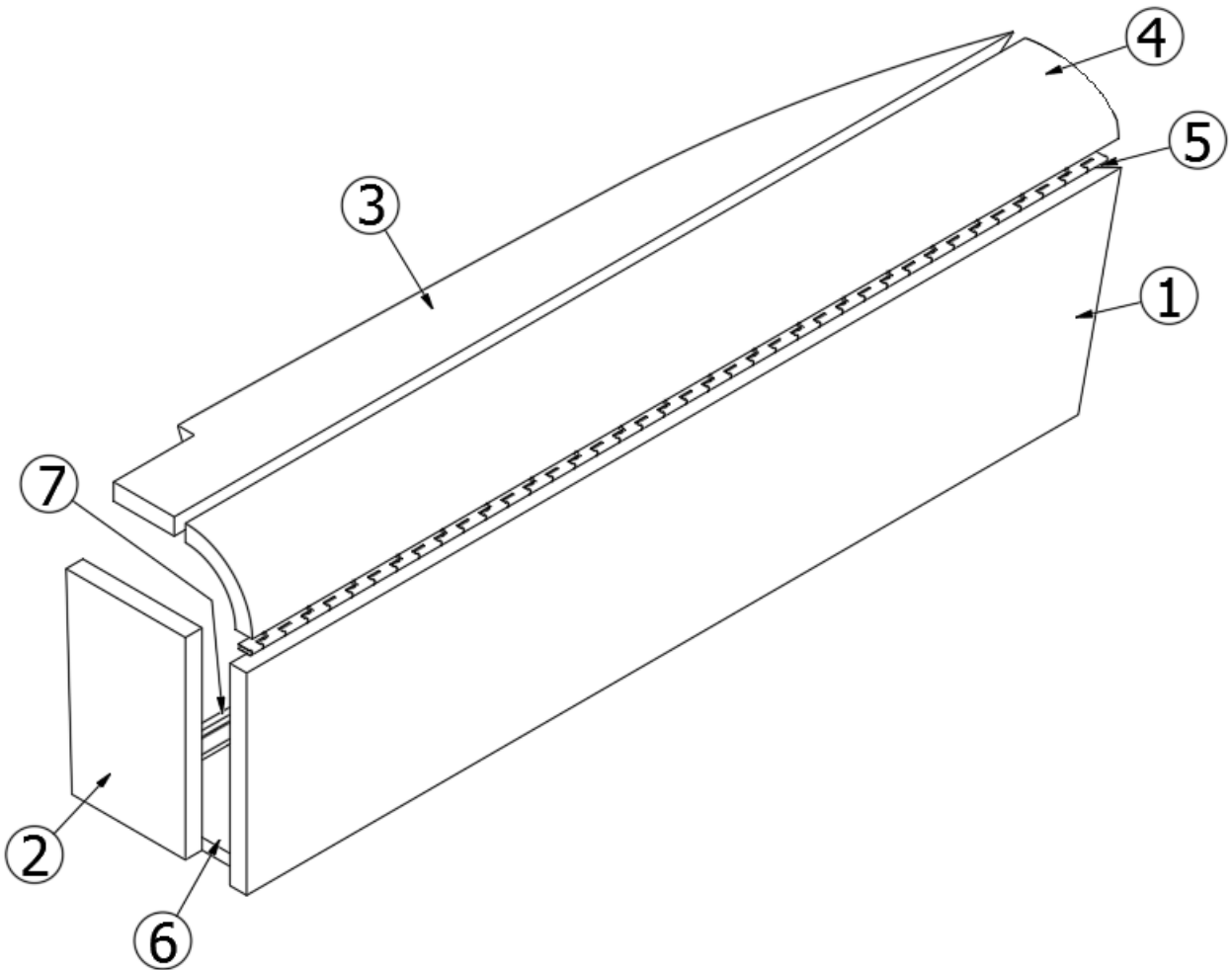
RS Hamper Assembly

1. 969027&000118CC
2. 969027&000218CC
3. 969027&000318CC
4. 969027&000418CC
5. 969027&000518CC
6. 969027&000618CC
7. 801345
8. 380458  
365386-02  
704233

1. Pre laminate, .75 x 26 x 39.5
2. Pre laminate, .75 x 5.36 x 21.07
3. Pre laminate, .75 x 3.25 x 5.75
4. Pre laminate, .75 x 5.59 x 15.75
5. Pre laminate, .75 x 5.62 x 8.63
6. Pre laminate, .75 x 3.5 x 38
7. Radius Plywood .75"x 3"x 8'
8. Hinge, Piano 3/32 Pin, 5/8in Leaf – Brown  
Edgebanding-White Linen .94"  
Vinyl-Aries Soft White W/.75" Foam

# 2022 BAMBI FURNITURE, BEDROOM

Hamper, RS, 20'



969093

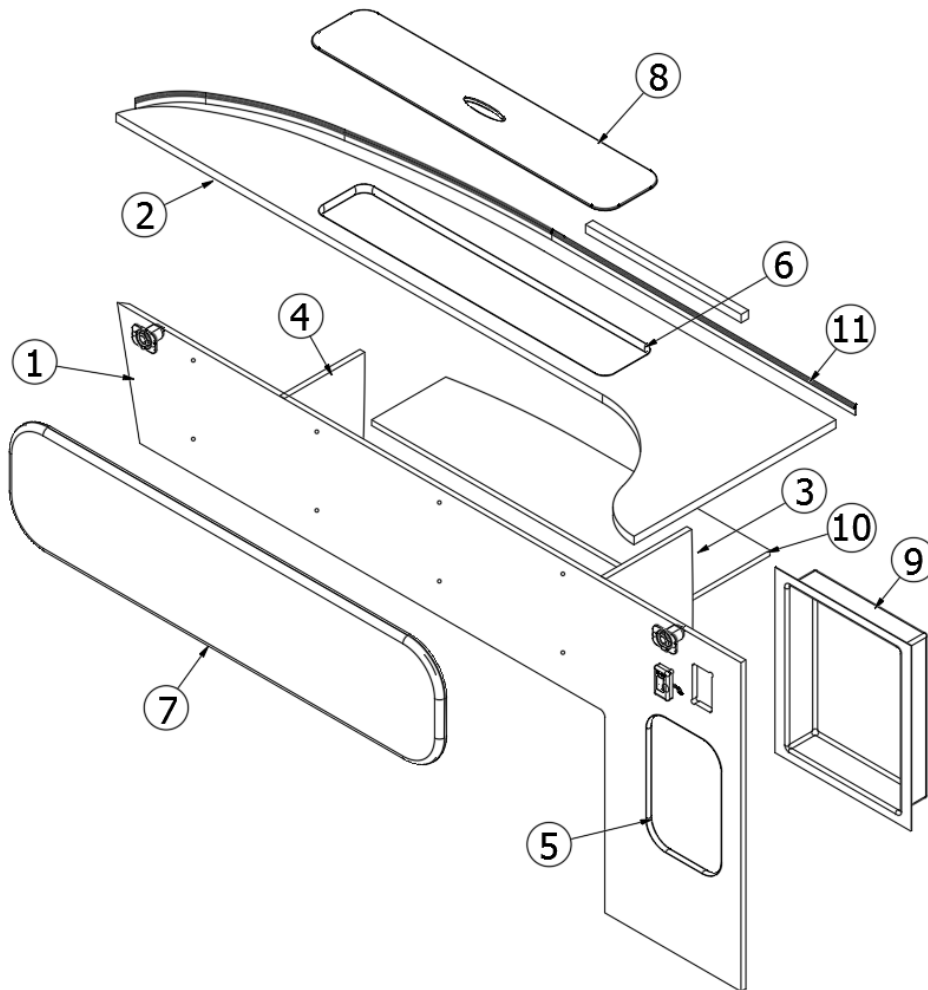
RS Hamper Assembly

- 1. 969093&000118CE
- 2. 969093&000218CE
- 3. 969093&000318CE
- 4. 801345
- 5. 380458
- 6. 969093&000812CC
- 7. 201673
- 704233
- 365386-02

- Pre laminate, .75 x 8.63 x 39.25
- Pre laminate, .75 x 5.35 x 8.63
- Pre laminate, .75 x 3.47 x 37.68
- Rad. Plywood .75"x 3"x 8'
- Hinge-Piano Copper Metallic Bake Enamel
- Pre laminate, .5 x 5. x 36
- Cove Molding, Ivory, Plastic
- Vinyl-Aries Soft White W/.75" Foam
- Edgebanding-White Linen .94"

# 2022 BAMBI FURNITURE, BEDROOM

## Hamper and Headboard, 22'



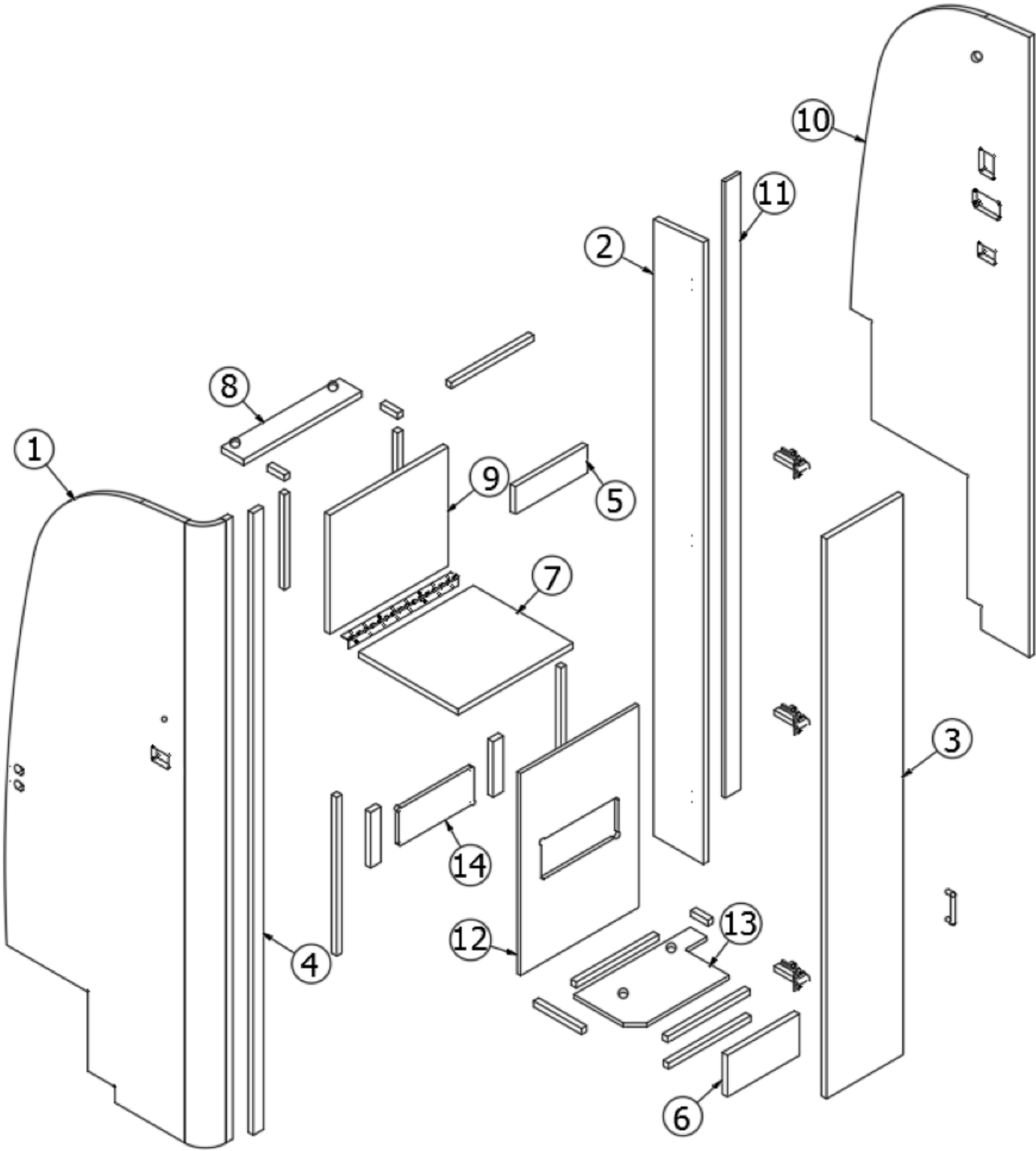
968945

### Hamper Assembly

- |                     |                                  |
|---------------------|----------------------------------|
| 1. 968945&000112BC  | Pre laminate, .5 x 63.38 x 29.25 |
| 2. 968945&000218BC  | Pre laminate, .75 x 20 x 64.25   |
| 3. 968945&000312BC  | Pre laminate, .50 x 8.25 x 11.38 |
| 4. 968945&000412BC  | Pre laminate, .50 x 6.88 x 11.38 |
| 5. 203445-01        | T-Molding - .5625" White         |
| 6. 203597           | T Molding- White 13/16"          |
| 7. 968982           | Assembly - Bed Headrest          |
| 8. 204081           | Lid, Hamper - Acrylic            |
| 9. 203383           | Rack-Magazine ABS                |
| 10. 968945&001612BC | Pre laminate, .5 x 8.88 x 32.07  |
| 11. 115064          | Trim-Alum Countertop             |
| 365386-02           | Edgebanding-White Linen .94"     |

2022 BAMBI  
FURNITURE, BEDROOM

Wardrobe, Roadside, 16'



Parts Listed on Next Page

## 2022 BAMBI FURNITURE, BEDROOM

### Wardrobe, Roadside, 16'

969026-01

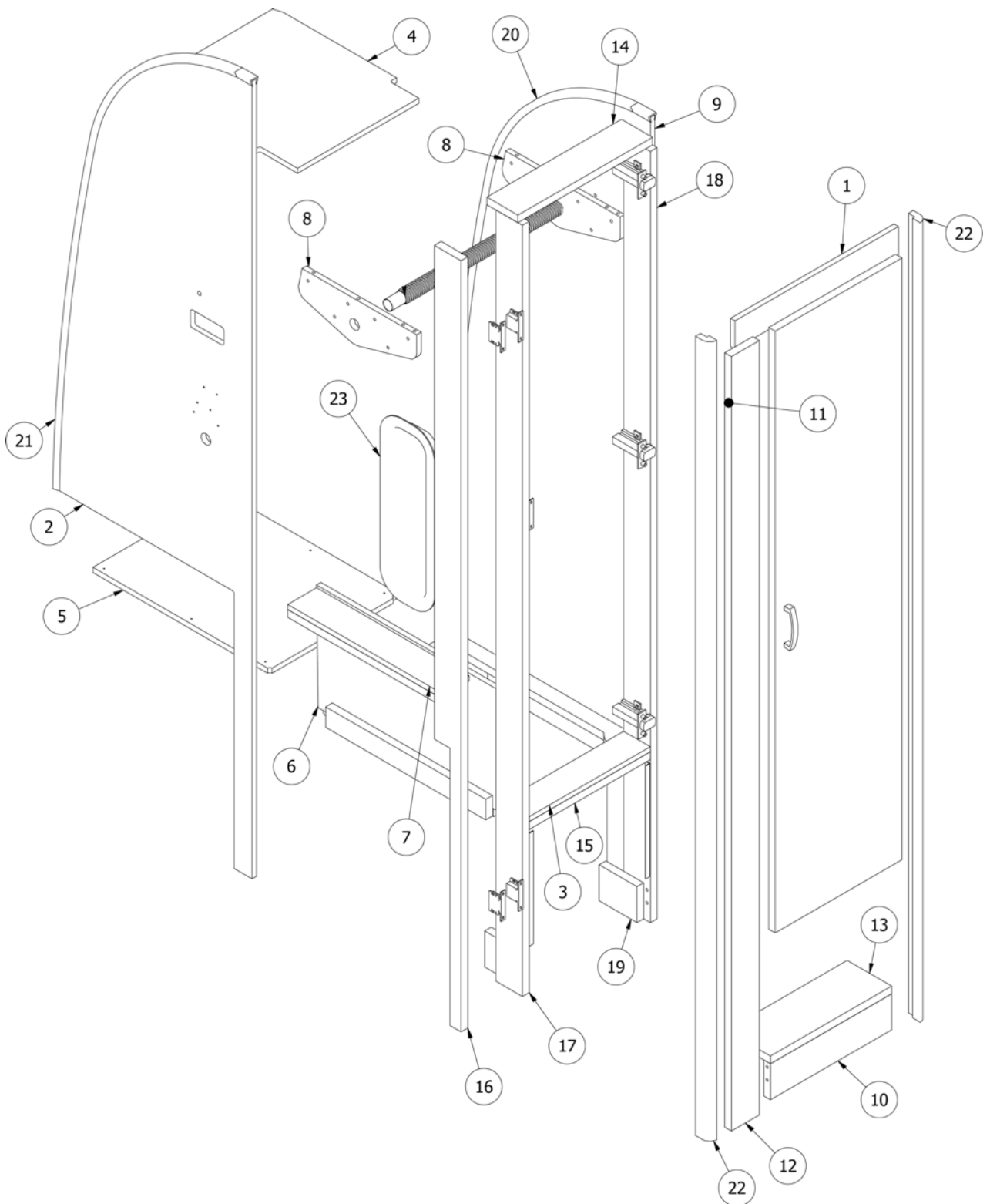
RS Wardrobe Assembly

1. 969058-01	Sub Assembly, Aft Panel Wardrobe
2. 969026&000218BC	Pre laminate, .75 x 7.25 x 79
3. 969026&000318BC	Pre laminate, .75 x 11.19 x 70.66
4. 969026&000418BC	Pre laminate, .75 x 1.5 x 78.5
5. 969026&000518BC	Pre laminate, .75 x 10.5 x 3.5
6. 969026&000618BC	Pre laminate, .75 x 10.5 x 5.25
7. 969026&000718CC	Pre laminate, .75 x 14.5 x 16.75
8. 969026&000818CC	Pre laminate, .75 x 3.25 x 17.25
9. 969026&000918CC	Pre laminate, .75 x 15 x 17.25
10. 969026&011018BF	Pre laminate, 26.05 x 78
11. 969026&011118BC	Pre laminate, .75 x 2.25 x 77.82
12. 969026&011212CC	Pre laminate, .5 x 17.25 x 26.5
13. 969026&001312CC	Pre laminate, .5 x 8.92 x 17
14. 969026&001412CC	Pre laminate, .5 x 11 x 4.75
380203-01	Piano Hinge 1/8" Pin Clr Anodized
365385-02	Edgebanding-White Cypress 15/16"
365386-02	Edgebanding-White Linen .94"
365386-01	Edgebanding-Linen .63"
203464-03	Plastic Wall Extrusion 3/4" White
203464-02	Plastic Wall Extrusion 3/4 Beige
382044	Handle Brushed Nickel
381607-11	Hinge-Self Close Overlay 110D
381607-12	Baseplate-Grass 9.5x37/32



# 2022 BAMBI FURNITURE, BEDROOM

Wardrobe, 19'



Parts Listed on Next Page

## 2022 BAMBI FURNITURE, BEDROOM

### Wardrobe, 19'

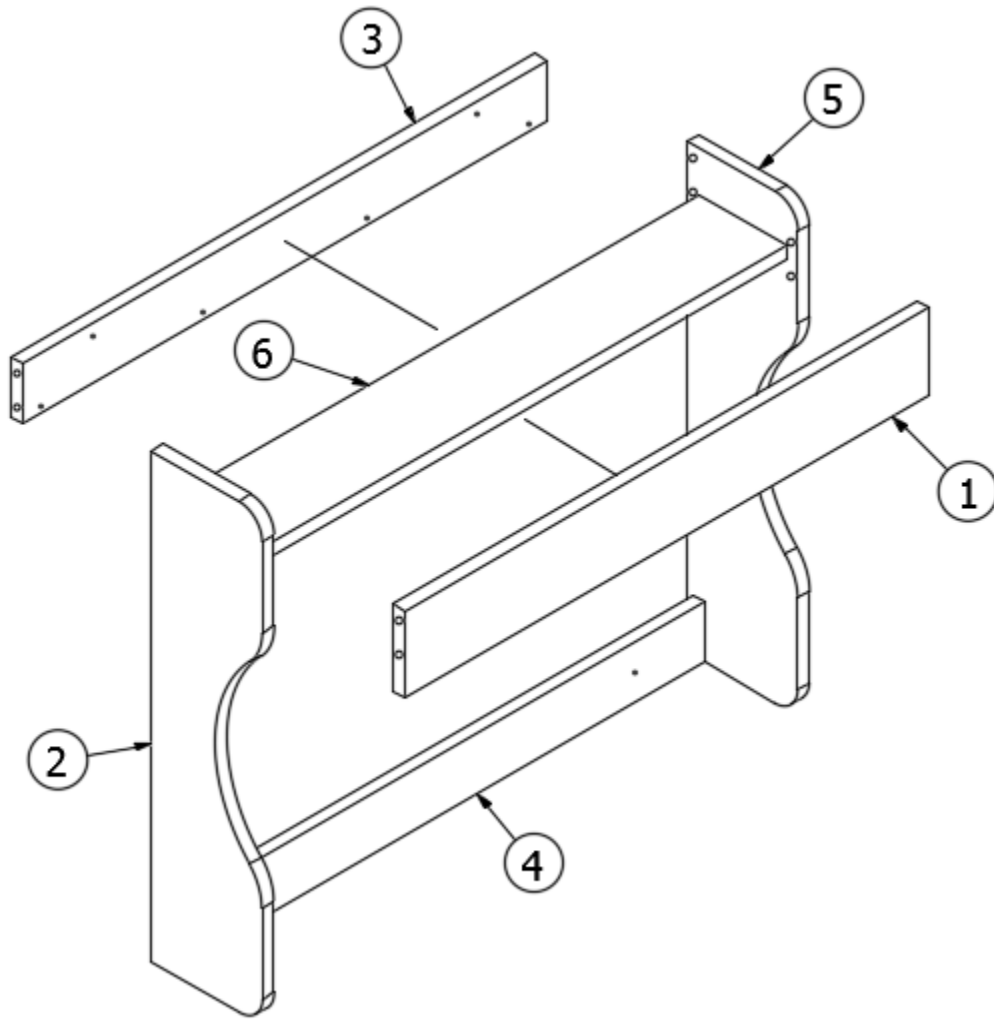
969112-02

Wardrobe Assembly

1. 969112&000112BC	Panel, 18.38 x 1.93
2. 969112&003112BC	Panel, 22.12 x 77.64
3. 969112&000312CC	Panel, 13.63 x 3.00
4. 969112&000412CC	Panel, 18.38 x 16.88
5. 969112&000512CC	Panel, 19.88 x 14.63
6. 969112&000612CC	Panel, 20.17 x 11.84
7. 969112&000712CC	Panel, 3.25 x 17.13
8. 969112&003312CC	Panel, 13.29 x 4.44
9. 969112&000912PC	Panel, 22.43 x 77.64
10. 969112&001018BC	Panel, 13.63 x 3.5
11. 969112&001118BC	Panel, 59.38 x 14.25
12. 969112&001218BC	Panel, 76.19 x 3.13
13. 969112&001318CC	Panel, 13.63 x 5
14. 969112&001418CC	Panel, 15.13 x 2.5
15. 969112&001518CC	Panel, 15.13 x 22.88
16. 969112&001618CC	Panel, 3.00 x 75.88
17. 969112&001718CC	Panel, 3.00 x 75.88
18. 969112&001818CC	Panel, 3.00 x 75.88
19. 969112&001918CC	Panel, 4.25 x 3.5
20. 201673	Cove Molding, Ivory, Plastic
21. 203138-03	Extrusion Plastic 1/2" Wall Beige
22. 801706-0029	Corner Trim 90 Deg. 1" Radius
23. 200773	Closeout, Reading Light ABS
101134	Angle Alum, 1/8 x 1 x 1-1/2
380045	Tubing 3/4" Elec Metallic
200975-05	Conduit, Flexible Black Plastic
365386-01	Edgebanding-Linen .63"
365385-02	Edgebanding-White Cypress 15/16"
365385-01	Edgebanding-White Cypress 5/8"
382044	Handle Brushed Nickel
381607-11	Hinge-Self Close Overlay 110D
381607-12	Baseplate-Grass 9.5x37/32
381228-02	Catch Grabber Door C3-805

# 2022 BAMBI FURNITURE, BEDROOM

## Bedroom Closeout/Shelf, 19'



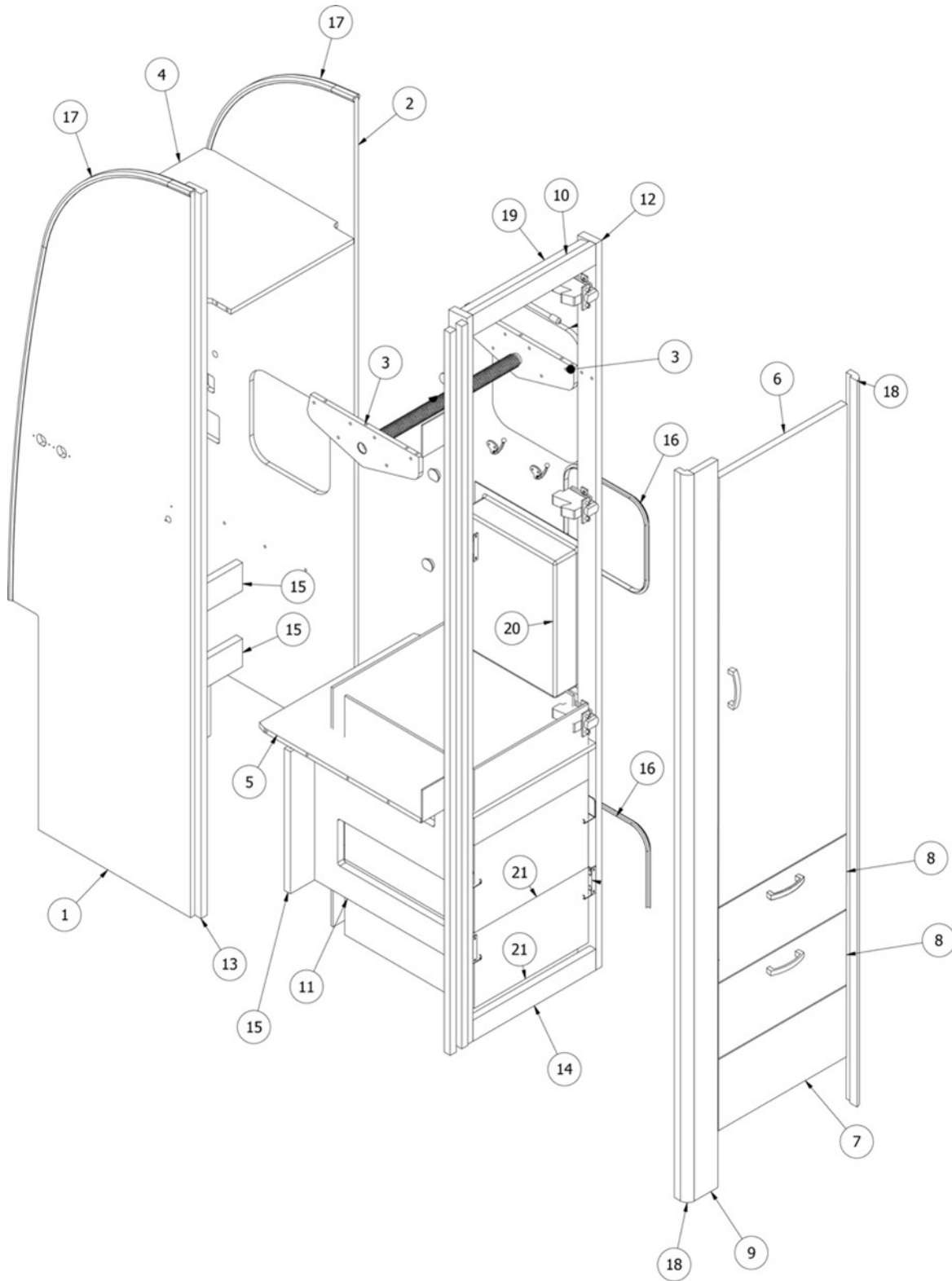
968699

Bedroom Closeout/Shelf

- |                    |                          |
|--------------------|--------------------------|
| 1. 968699&000112GG | Panel, 22.5 x 3.25       |
| 2. 968699&000212GG | Panel, 4.75 x 19         |
| 3. 968699&000312GG | Panel, 22.5 x 2.25       |
| 4. 968699&000412GG | Panel, 22.5 x 2.25       |
| 5. 968699&000512GG | Panel, 4.75 x 19         |
| 6. 968699&000612GG | Panel, 22.5 x 3.75       |
| 203445-01          | T-Molding - .5625" White |
| 365385-01          | Edgebanding, 5/8"        |

# 2022 BAMBI FURNITURE, BEDROOM

Wardrobe, 20'



Parts Listed on Next Page

## 2022 BAMBI FURNITURE, BEDROOM

### Wardrobe, 20'

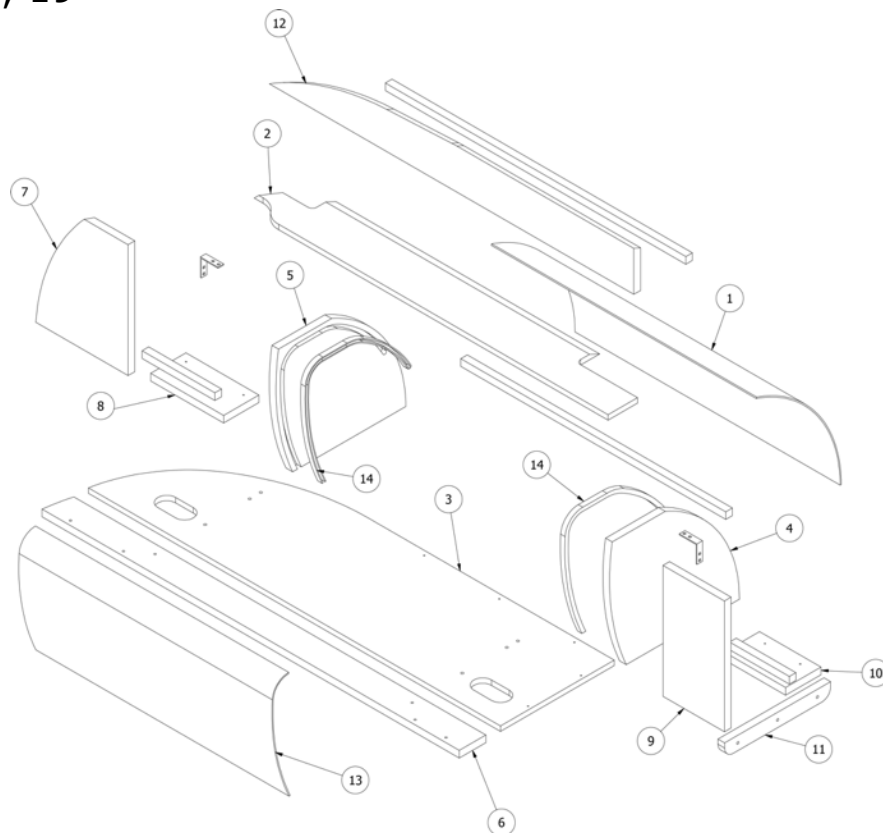
969089

Wardrobe Assembly

1. 969089&000112BC	Pre laminate, 22.39 x 77.76
2. 969089&000212BC	Pre laminate, 22.39 x 77.76
3. 969089&000312CC	Pre laminate, 14 x 4.53
4. 969089&000412CC	Pre laminate, 19.69 x 19
5. 969089&000512CC	Pre laminate, 19.69 x 23.06
6. 969089&000618BC	Pre laminate, .75 x 15.88 x 51.75
7. 969089&000718BC	Pre laminate, .75 x 15.88 x 7.63
8. 969089&000818BC	Pre laminate, .75 x 15.88 x 8
9. 969089&000918BC	Pre laminate, .75 x 2.94 x 77.94
10. 969089&001018BC	Pre laminate, 2.25 x 15.25
11. 969089&001118CC	Pre laminate, .75 x 19.62 x 77.94
12. 969089&001218CC	Pre laminate, .75 x 19.75 x 77.94
13. 969089&001318CC	Pre laminate, .75 x 2.25 x 77.75
14. 969089&001418CC	Pre laminate, 2.25 x 15.25
15. 969089&001518CC	Pre laminate, 3 x 15.25
16. 203597	T Molding- White 13/16"
17. 203138-03	Extrusion Plastic 1/2" Wall Beige
18. 801706-0029	Hardwood Radius, White cypress
19. 104821	Support, Roof locker
20. 203383	Rack-Magazine
21. 969707-04	Drawer Box Assembly 6" x 18" x 14.63"
200975-04	Conduit, Flexible Black Plastic
380045	Tubing 3/4" Elec Metallic
381945	Board-Dry/Erase 11" x 14" Magnetic
381834	Hook- Coat Aluminum #1760A1
381228-02	Catch Grabber Door C3-805
381607-11	Hinge-Self Close Overlay 110D
381607-12	Baseplate-Grass 9.5 x 37/32
382057	Knockdown 8MM
382057-04	Cap-Knockdown Wht #16387
382807-08	Drawer Slide 18" Self-Close
365386-01	Edgebanding-Linen .63"
365385-01	Edgebanding-White Cypress 5/8"
365385-02	Edgebanding-White Cypress 15/16"
382044	Handle Brushed Nickel

# 2022 BAMBI FURNITURE, BEDROOM

## Rear Locker, 19'



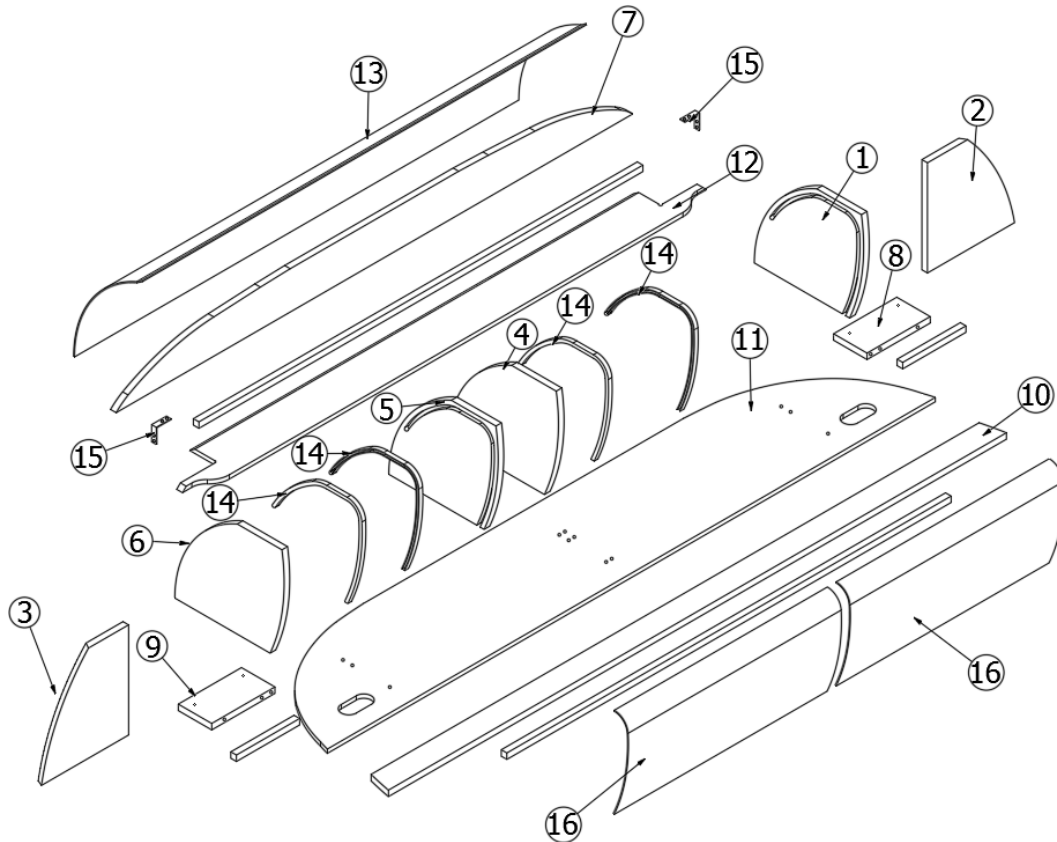
969359

### Rear Locker Assembly

- |                     |                                  |
|---------------------|----------------------------------|
| 1. 969359&000103CE  | Pre laminate, .13 x 17.44 x 30   |
| 2. 969359&000212DD  | Pre laminate, .5 x 6 x 41.78     |
| 3. 969359&000312MC  | Pre laminate, .5 x 12.88 x 46.63 |
| 4. 969359&000418DD  | Pre laminate, .75 x 15 x 14      |
| 5. 969359&000518DD  | Pre laminate, .75 x 15 x 14      |
| 6. 969359&000618DD  | Pre laminate, .75 x 3 x 47.5     |
| 7. 969359&000718MC  | Pre laminate, 10.5 x 12.81       |
| 8. 969359&000818MC  | Pre laminate, .75 x 4 x 8.25     |
| 9. 969359&000918MC  | Pre laminate, .75 x 6.95 x 12.81 |
| 10. 969359&001018MC | Pre laminate, .75 x 4 x 6.95     |
| 11. 969359&001118MC | Pre laminate, .75 x 1.5 x 12     |
| 12. 969359&001218MC | Pre laminate, .75 x 4.5 x 41.25  |
| 13. 967104-09       | Tambour door assembly            |
| 14. 203748          | Track-Tambour                    |
| 380264              | Corner Bracket, 2 x 2 x 5/8      |
| 365386-02           | Edgebanding-White Linen .94"     |
| 201673              | Cove molding, White              |
| 381610-01           | Cover cap, Plastic, White        |

# 2022 BAMBI FURNITURE, BEDROOM

Roof Locker, Endliner, 16', 20', 22'



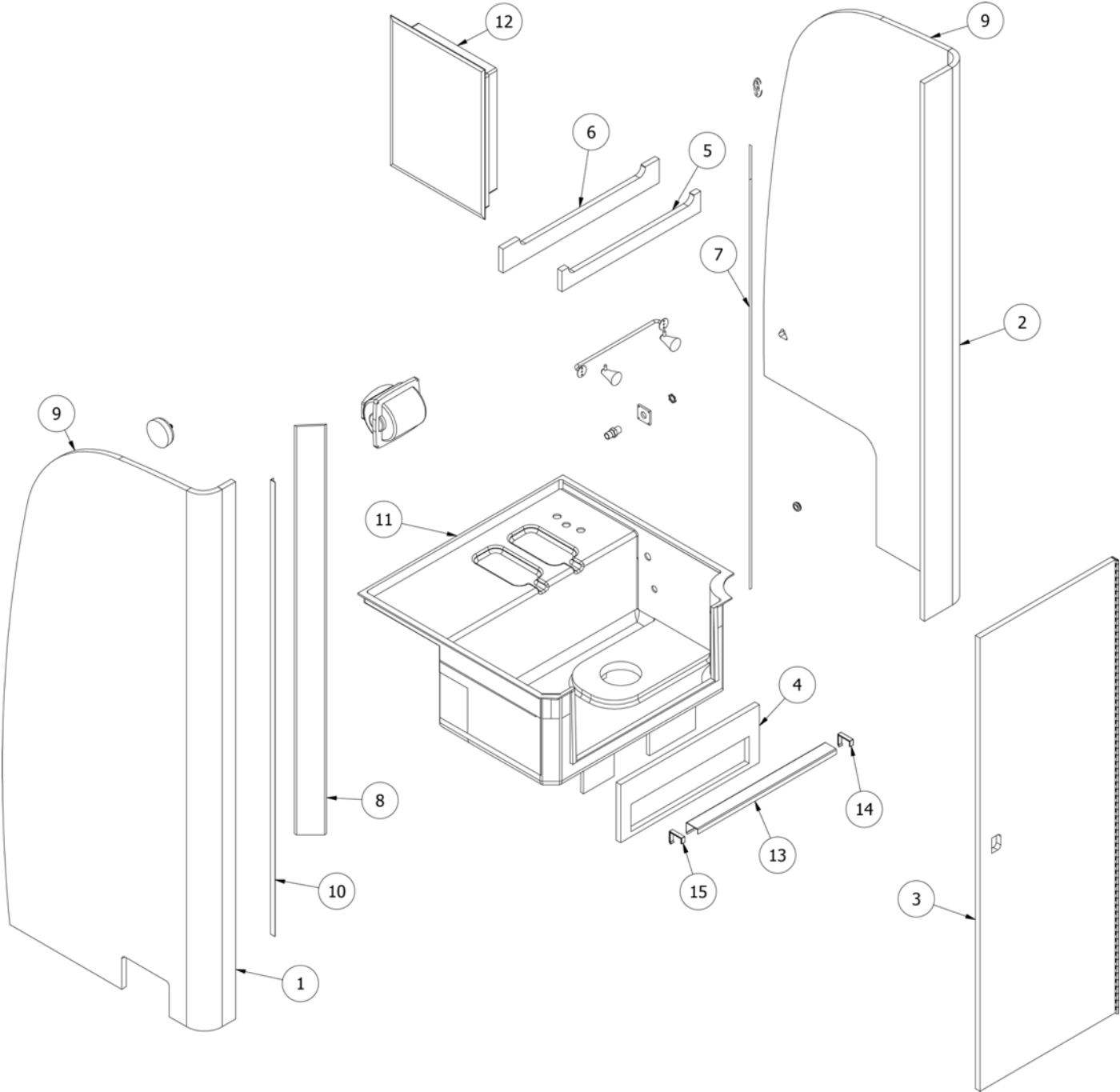
969098

Endliner Locker Assembly

- |                     |                                   |
|---------------------|-----------------------------------|
| 1. 969098&000118MC  | Pre laminate, .75 x 15 x 14       |
| 2. 969098&000218MC  | Pre laminate, 11.76 x 12.81       |
| 3. 969098&000318MC  | Pre laminate, 11.76 x 12.81       |
| 4. 969098&000418MC  | Pre laminate, .75 x 15 x 14       |
| 5. 969098&000518MC  | Pre laminate, .75 x 15 x 14       |
| 6. 969098&000618MC  | Pre laminate, .75 x 15 x 14       |
| 7. 969098&000718MC  | Pre laminate, .75 x 5.5 x 72.25   |
| 8. 969098&000818MC  | Pre laminate, .75 x 4.5 x 8.5     |
| 9. 969098&000918MC  | Pre laminate, .75 x 4.5 x 8.5     |
| 10. 969098&001018DD | Pre laminate, .75 x 3 x 83.28     |
| 11. 969098&001112DD | Pre laminate, .5 x 15 x 83        |
| 12. 969098&001212DD | Pre laminate, .5 x 6 x 70.48      |
| 13. 969098&001303CE | Pre laminate, .12 x 17.5 x 59.75  |
| 14. 203748          | Track-Tambour 98" Sterling        |
| 15. 380264          | Corner Bracket #997 LGT 2IN x 5/8 |
| 16. 967104-09       | Door, Tambour 13.50 x 28.625      |
| 365386-01           | Edgebanding-Linen .63"            |
| 365386-02           | Edgebanding-White Linen .94"      |
| 201673              | Cove Molding, Ivory, Plastic      |

# 2022 BAMBI FURNITURE, LAVATORY

Wetbath Module, 16'



Parts Listed on Next Page



## 2022 BAMBI FURNITURE, LAVATORY

### Wetbath Module, 16'

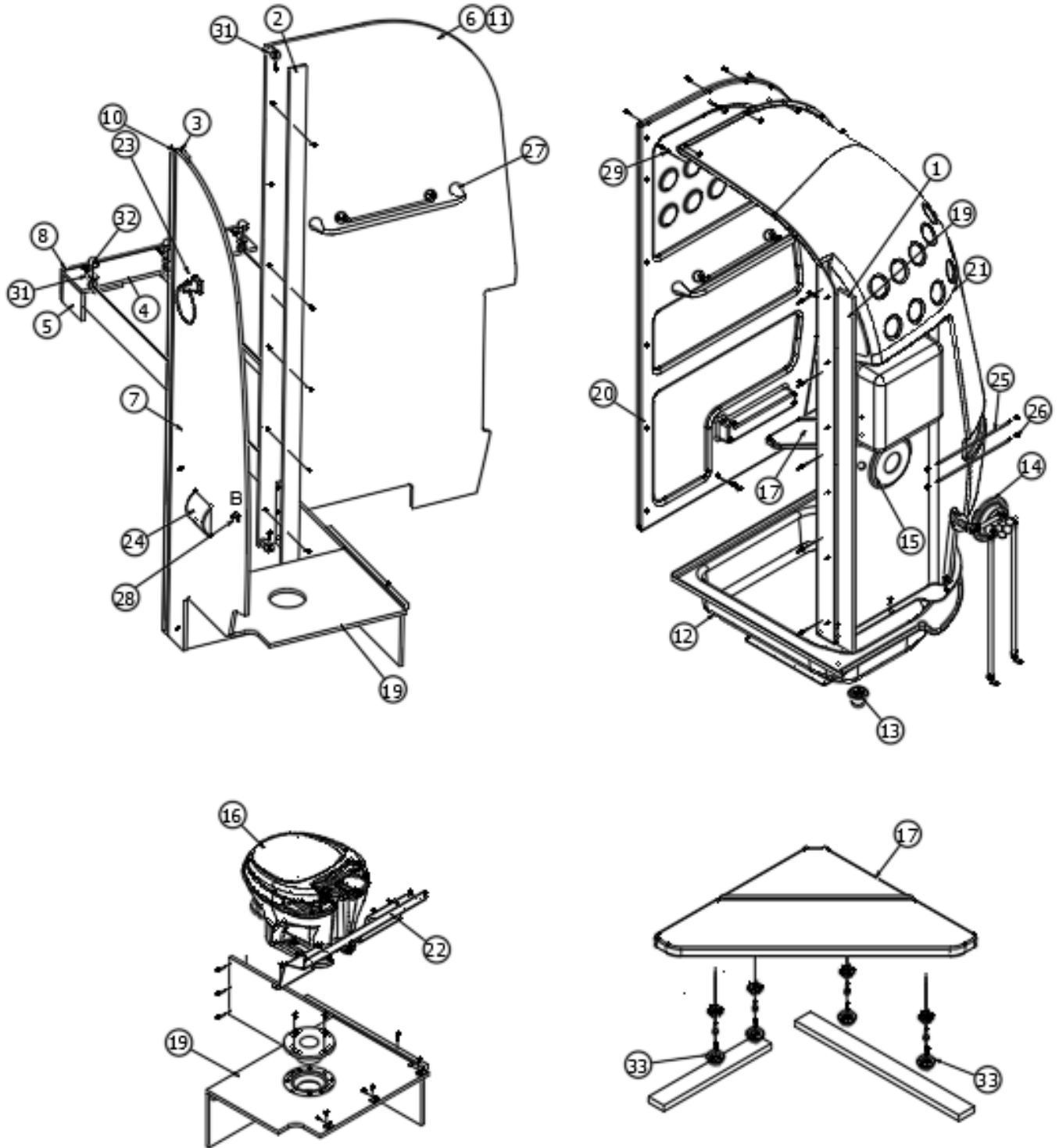
116047-01

Wet Bath Install

- |                    |                                    |
|--------------------|------------------------------------|
| 1. 969030          | Assembly - FWD Bath Wall           |
| 2. 969031          | Assembly - Rear Bath Wall          |
| 3. 969032          | Assembly - Door, Wet Bath          |
| 4. 116047&010418BM | Pre laminate 8.5 x 23.5            |
| 5. 116047&010518BM | Pre laminate 3 x 23.5              |
| 6. 116047&010618BM | Pre laminate 3.5 x 26.5            |
| 7. 116047&010706DD | Pre laminate, 8 x 60.1             |
| 8. 116047&010806DD | Pre laminate, 3.86 x 60.11         |
| 9. 203464-02       | Plastic Wall Extrusion ¾ Beige     |
| 10. 115538         | Trim, Alum Angle .5" x .75"        |
| 11. 203729-02      | Shower Base- Side Entry            |
| 12. 601847         | Cabinet-Med W/Mirror 16" x 22"     |
| 13. 115904         | Threshold-Bath                     |
| 14. 382519         | Cap-Shower Threshold RH            |
| 15. 382519-1       | Cap-Shower Threshold LH            |
| 365386-02          | Edgebanding-White Linen .94"       |
| 365385-02          | Edgebanding-White Cypress 15/16"   |
| 382057-04          | Cap-Knockdown White #16387         |
| 604877-01          | Shower Valve 4 Cp W/Flt Wshr       |
| 690715-01          | Toilet, Residence W/O Sprayer      |
| 601358             | Shower Hardware Unit, Chrome       |
| 381945             | Board-Dry/Erase 11" x 14"Magnetic  |
| 602175             | Holder-Dryroll Toilet Roll White   |
| 382055             | Latch-Privacy Omni for .75 Door    |
| 382061             | Striker-Omni Flat Latch #MR9010024 |
| 382063             | Retractable Clothesline            |
| 382668             | Robe hook                          |

# 2022 BAMBI FURNITURE, LAVATORY

Bath Module, 19'



Parts Listed on Next Page

## 2022 BAMBI FURNITURE, LAVATORY

### Bath Module, 19'

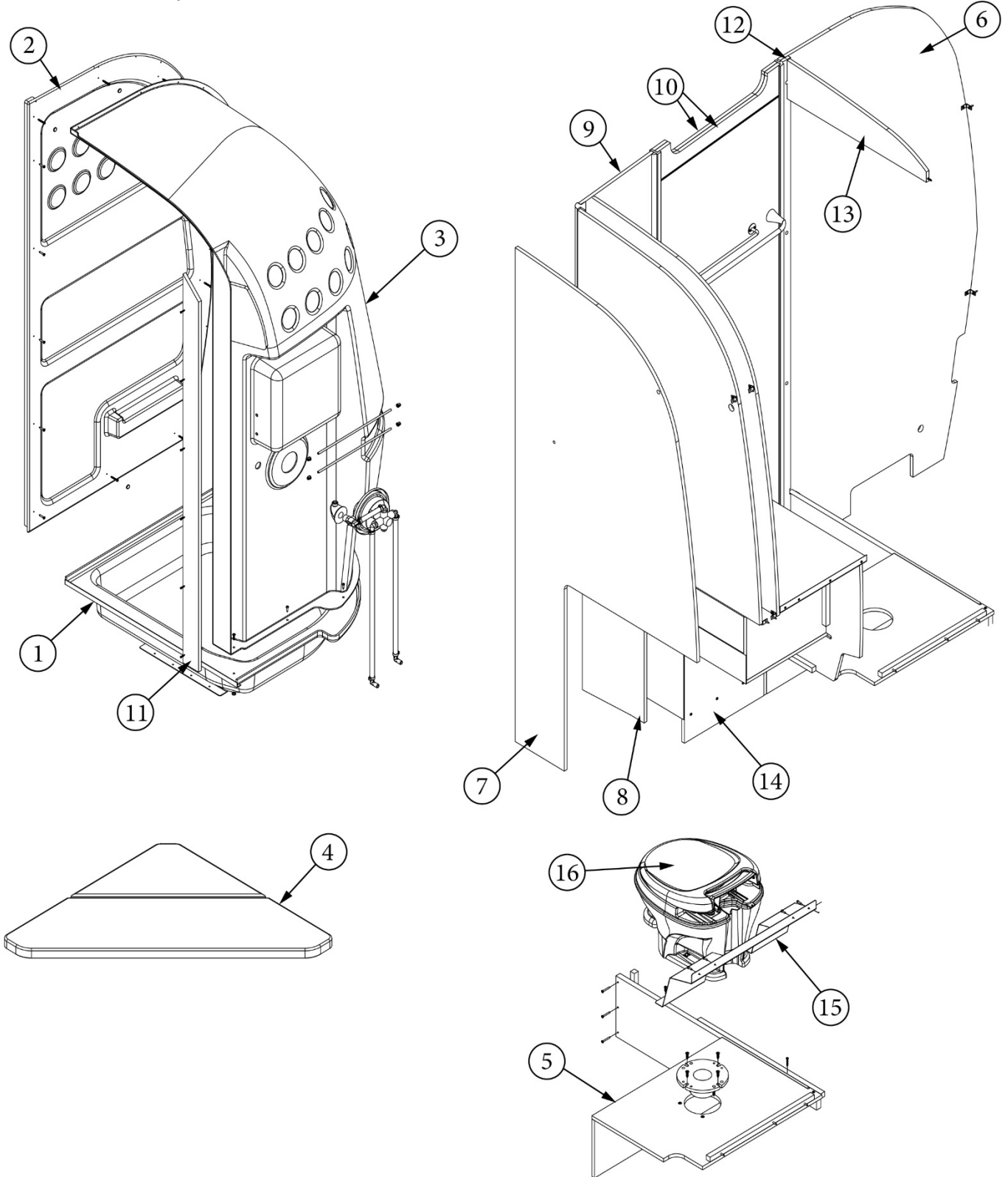
113314-01

Bath Module Install

- |   |  |
|---|--|
| <ol style="list-style-type: none"> <li>1. 113314&amp;010112DD</li> <li>2. 113314&amp;010212BC</li> <li>3. 113314&amp;010312BC</li> <li>4. 113314&amp;010412BC</li> <li>5. 113314&amp;010512BC</li> <li>6. 113314&amp;010612BD</li> <li>7. 113314&amp;010712BD</li> <li>8. 113314&amp;010812CC</li> <li>9. 113314&amp;010912DD</li> <li>10. 382529-02</li> <li>11. 203138-03</li> <li>12. 969488-01</li> <li>13. 600594-02</li> <li>14. 601358</li> <li>15. 601829</li> <li>16. 690495-02</li> <li>17. 204151</li> <li>18. 968696</li> <li>19. 969376</li> <li>20. 204150-1</li> <li>21. 204150-2</li> <li>22. 455715-2</li> <li>23. 382551</li> <li>24. 381299</li> <li>25. 382728</li> <li>26. 380019-01</li> <li>27. 382098</li> <li>28. 380041</li> <li>29. 381081-04</li> <li>30. 381610-01</li> <li>31. 382057</li> <li>32. 382057-04</li> <li>33. 382740</li> <li>969290</li> <li>968789</li> <li>704755</li> <li>382063</li> <li>704782</li> </ol> | <p>Pre laminate, .5 x 3 x 60</p> <p>Pre laminate, .5 x 2.63 x 80</p> <p>Pre laminate, .5 x 2.63 x 77.5</p> <p>Pre laminate, .5 x 5.84 x 27.15</p> <p>Pre laminate, .5 x 4.38 x 5.84</p> <p>Pre laminate, .5 x 40.13 x 81</p> <p>Pre laminate, 23.34 x 77.5</p> <p>Pre laminate, .5 x 4.88 x 27.15</p> <p>Pre laminate, 12 x 65.1</p> <p>Custom Z Bar, 1" Hold</p> <p>Extrusion Plastic 1/2" Wall, Beige</p> <p>Corner shower base</p> <p>Drain, Shower with strainer</p> <p>Shower Hdw Unit, Chrome (Head, Hose, Etc.)</p> <p>Trim Kit Shower Valve Valletta</p> <p>Toilet-Aqua.V Low White W/O Water Saver</p> <p>Shower-Corner Seat</p> <p>Toilet Holder Closeout</p> <p>Install - Toilet Stand</p> <p>Shower-Corner Surround Flat TT</p> <p>Shower-Corner Surround TT</p> <p>Closeout-Toilet Chase 19 BAM</p> <p>Towel Ring- 5.51D #1209281</p> <p>Holder Recessed Toilet Paper</p> <p>Al Shower Rod 1/4"</p> <p>Bushing-Snap 1/4" SB-375-4 White</p> <p>Handle-Gloss Chrm 14.25" Towel Bar</p> <p>Brace 1" Stanley Corner</p> <p>Snap Cap White (Screw Size #6, #8)</p> <p>Cover Cap Plas. European White</p> <p>Knockdown 8MM</p> <p>Cap-Knockdown Wht #16387</p> <p>Panel Clip Very Low Profile</p> <p>Bath Door Assy - Bifold 19bam</p> <p>ASSY - Travel Strap</p> <p>Shower Door Pleated 27.25 x 61.50 19/20 BAM</p> <p>Clothesline-Retractable #Dry-01101</p> <p>Strap-Shower Curtain 20bam</p> |
|---|--|

# 2022 BAMBI FURNITURE, LAVATORY

Bath Module, 20'



Parts Listed on Next Page

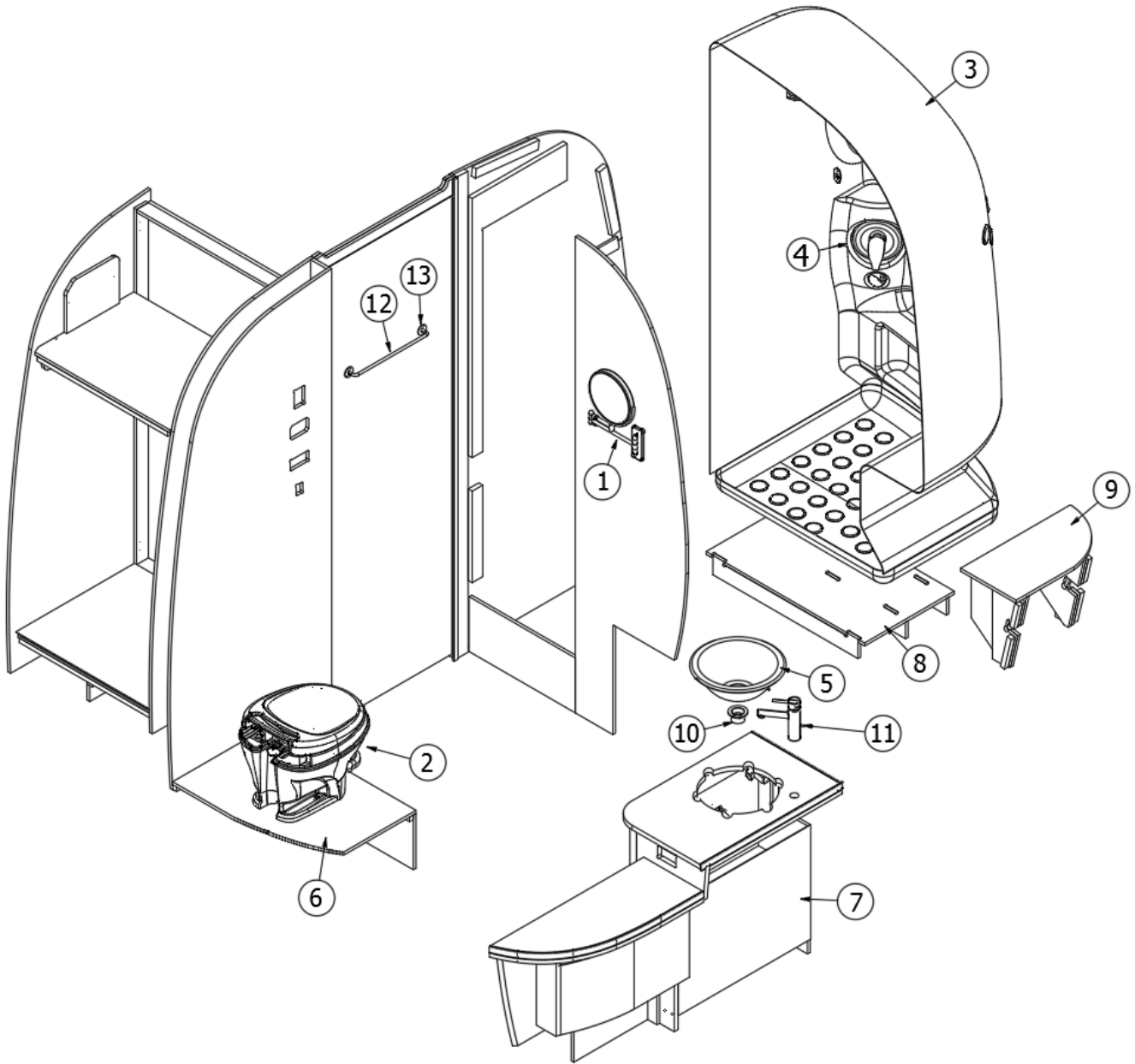
## 2022 BAMBI FURNITURE, LAVATORY

### Bath Module, 20'

113284-01	Bath Module Install
1. 969488-01	Base Assy - Corner Shower TT
2. 204150-1	Shower-Corner Surround Flat TT
3. 204150-2	Shower-Corner Surround TT
4. 204151	Shower-Corner Seat
5. 969375	Stand Assy - Toilet 20BAM
6. 113284&000112BD	Pre laminate, .5 x 39 x 81
7. 113284&001712HC	Pre laminate, 34.9 x 78.79
8. 113284&000312MC	Pre laminate, 35.79 x 79
9. 113284&000412BD	Pre laminate, .5 x 15.38 x 79
10. 113284&000912BD	Pre laminate, .5 x 26 x 4.75
11. 113284&001412BB	Pre laminate, .5 x 3 x 62
12. 113284&001612BD	Pre laminate, .5 x 1.5 x 79.25
13. 113284&001812DD	Pre laminate, 6.13 x 26.72
14. 969336-01	ASSY - Lavy
15. 455715-2	Closeout-Toilet Chase 20BAM
16. 690495-02	Toilet-Aqua. V Low White W/O WA
113284&000512DD	Pre laminate, 12 x 65.1
382728	AL Shower Rod 1/4"
382098	Handle-Gloss Chrm 14.25" Towel Bar
382551	Towel Ring- 5.51D #1209281
704755	Shower Door Pleated 27.25x61.50
704782	Strap-Shower Curtain
800638-03	Molding-.5 Quarter Rd. White
382063	Clothesline-Retractable #Dry-01101
454614	Plate-Strike "C" TRL
381610-01	Cover Cap Plas. European White
382057	Knockdown 8MM
601847	Cabinet-Med W/Mirror 16" x 22"
365386-01	Edgebanding-Linen .63"
365385-01	Edgebanding-White Cypress 5/8"
203138-03	Extrusion Plastic 1/2" Wall Beige
203138-01	Extrusion-Plastic 1/2" Wall-White

# 2022 BAMBI FURNITURE, LAVATORY

Bath Module, 22'



Parts Listed on Next Page

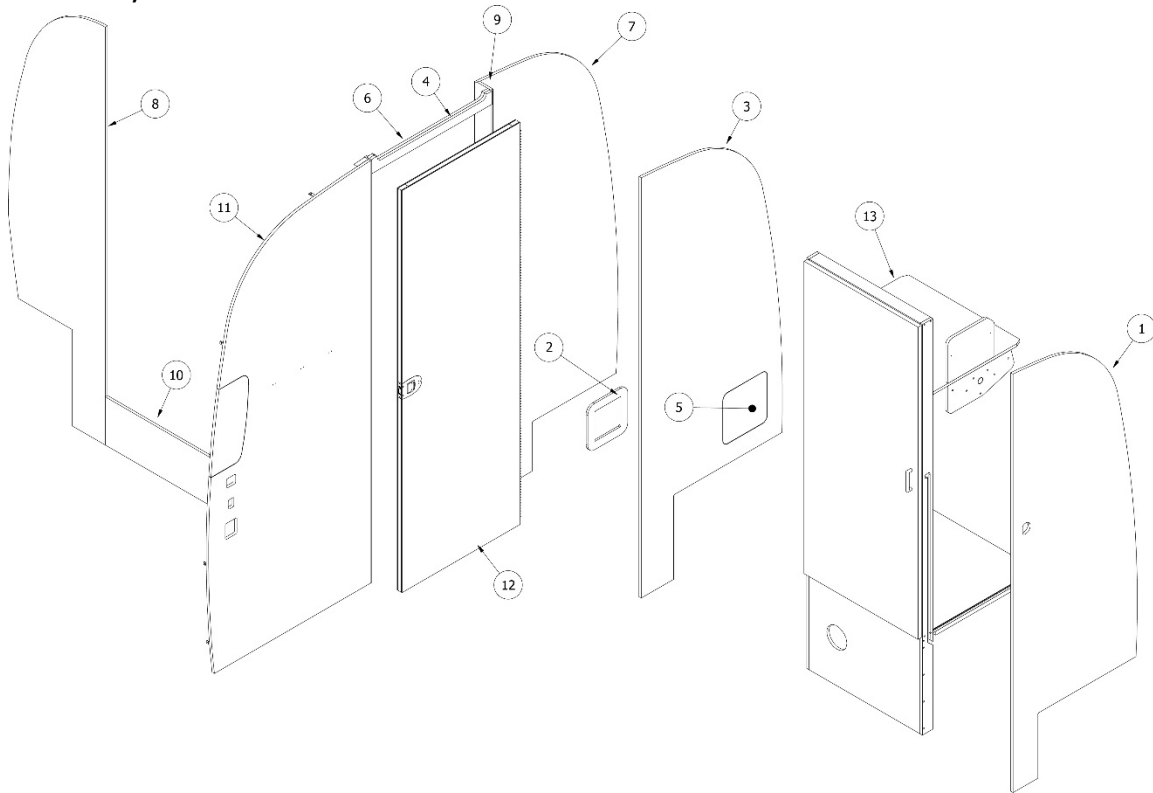
## 2022 BAMBI FURNITURE, LAVATORY

### Bath Module, 22'

112823-01	Bath Module Install
1. 371423-02	Mirror, Wall Mount Chrome
2. 690495-02	Toilet, Aqua V, Low-profile, White
3. 203615	Shower- Sport / 23fb Fc
4. 601358	Shower Hardware Unit, Chrome
5. 601804-01	Sink 12" Ss Round with Studs
6. 969101	Stand Assy - Toilet
7. 968951	Assembly, Lavy
8. 968957	Assembly Shower Stand
9. 968984	Shower seat support
10. 601813	Tail Piece-Lift/Turn Drain
11. 602859	Faucet Pfister Parisa & Braided
12. 382098	Handle-Gloss Chrm 14.25" Towel Bar
13. 300140-01	Washer -1.5" OD .050/.065 Thick for Towel Bar
703725	Door-Shower
201666-01	Molding-J 3/16" White Plastic
381610-01	Cover Cap Plastic European White
382063	Clothesline-Retractable #Dry-01101
600594-01	Drain-Sink W/White Rubber Stop

# 2022 BAMBI FURNITURE, LAVATORY

## Bath Panels, 22'



112819

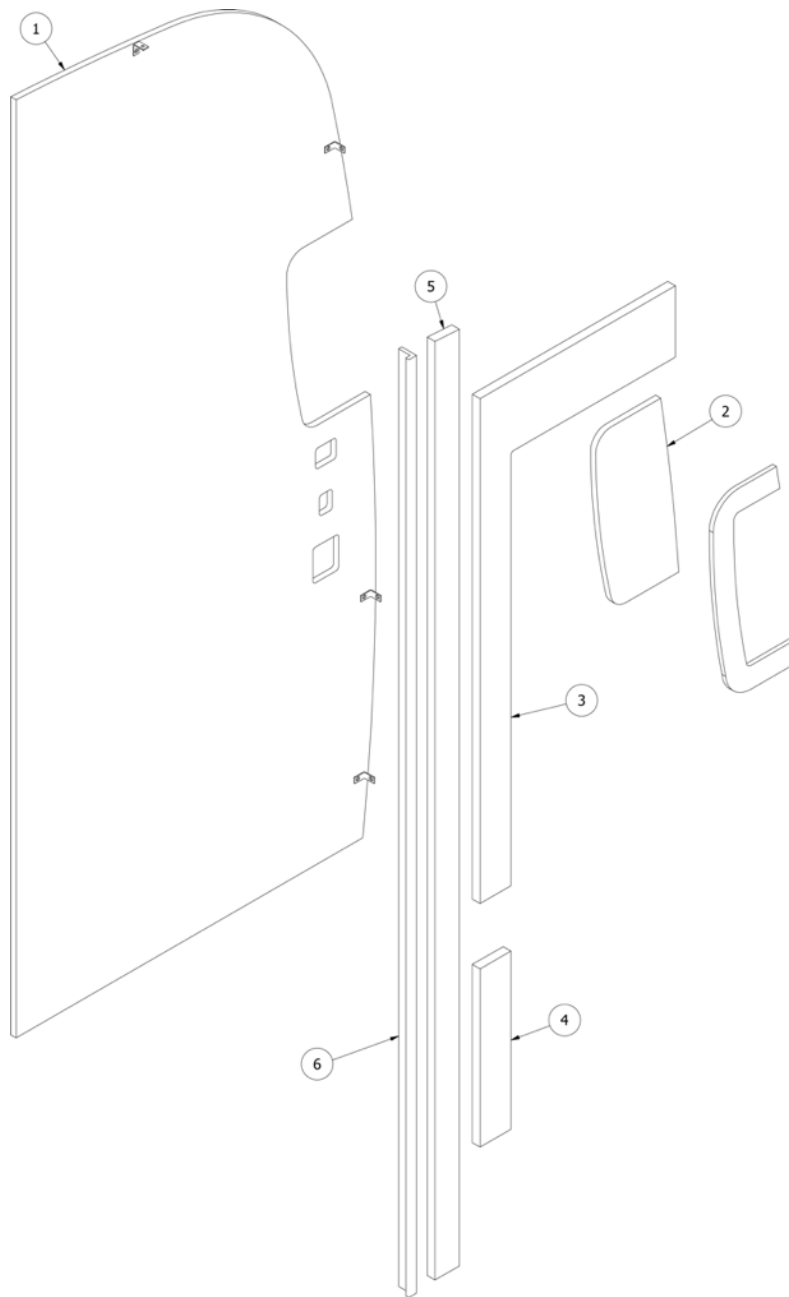
Bath Panel Install

- |                     |                                   |
|---------------------|-----------------------------------|
| 1. 112819&000112BF  | Pre laminate, 26.84 x 78.23       |
| 2. 112819&000212CC  | Pre laminate, .5 x 11.5 x 11.5    |
| 3. 112819&000312HC  | Pre laminate, 30.63 x 78.55       |
| 4. 112819&000412HC  | Pre laminate, .5 x 26.13 x 2.72   |
| 5. 112819&000512HC  | Pre laminate, .5 x 9.5 x 9.5      |
| 6. 112819&000612MC  | Pre laminate, .5 x 26.13 x 2.72   |
| 7. 112819&000712MC  | Pre laminate, 30.63 x 78.55       |
| 8. 112819&000812NC  | Pre laminate, 20.92 x 78.08       |
| 9. 112819&000912MC  | Pre laminate, .5 x 3 x 78.55      |
| 10. 112819&001012NC | Pre laminate, 9 x 20.13           |
| 11. 968948          | Sub-Assembly- FWD Shower Panel    |
| 12. 968949          | Assembly Bath Door W/ Window      |
| 13. 968954          | Assembly, RS Storage Cabinet      |
| 602394-03           | Register-Black 4" #HV4BK          |
| 382034              | Latch-Flush Mount                 |
| 380203-02           | Piano Hinge - Blk Anodized 72"    |
| 365386-01           | Edgebanding-Linen .63"            |
| 365385-01           | Edgebanding-White Cypress 5/8"    |
| 203138-03           | Extrusion Plastic 1/2" Wall Beige |
| 203464-02           | Plastic Wall Extrusion 3/4 Beige  |



# 2022 BAMBI FURNITURE, LAVATORY

## Forward Shower Wall, 22'



968948

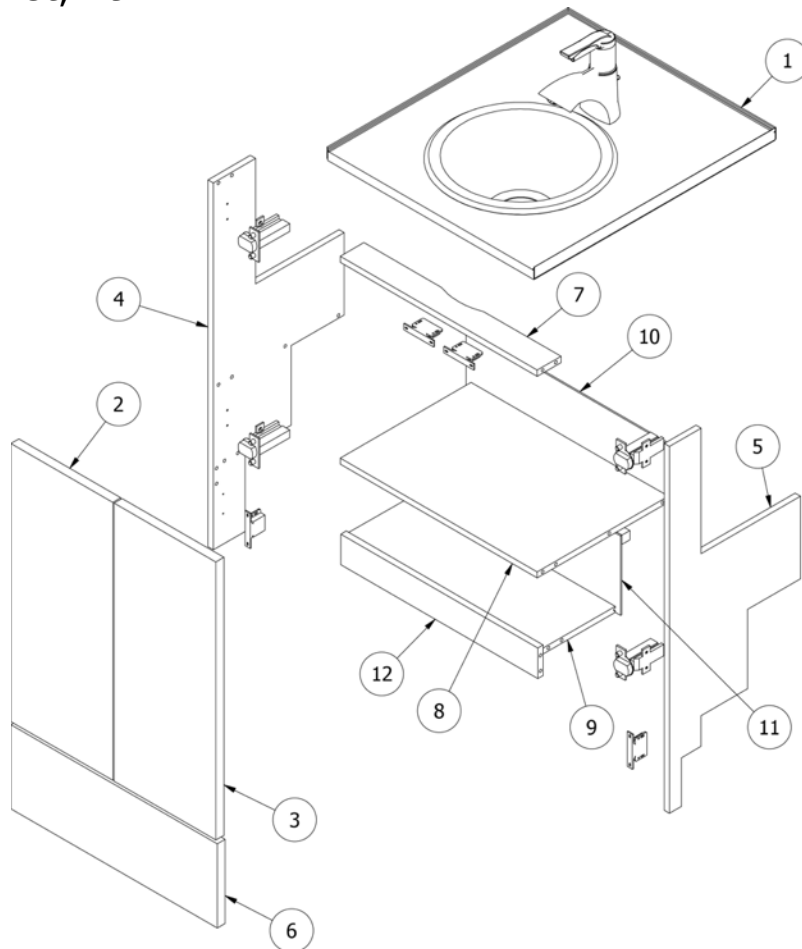
### Forward Shower Panel Assembly

- 1. 968948&000112HC
- 2. 968948&000212HC
- 3. 968948&000318BC
- 4. 968948&000418BC
- 5. 968948&000518DD
- 6. 801665-WH

- Pre laminate, 34.23 x 78.92
- Pre laminate, .5 x 34.98 x 78.96
- Pre laminate, .75 x 19 x 42.5
- Pre laminate, .75 x 3 x 15
- Pre laminate, .75 x 2.38 x 79
- Molding-L DR Jamb White 80"

# 2022 BAMBI FURNITURE, LAVATORY

## Lavatory Cabinet, 19'



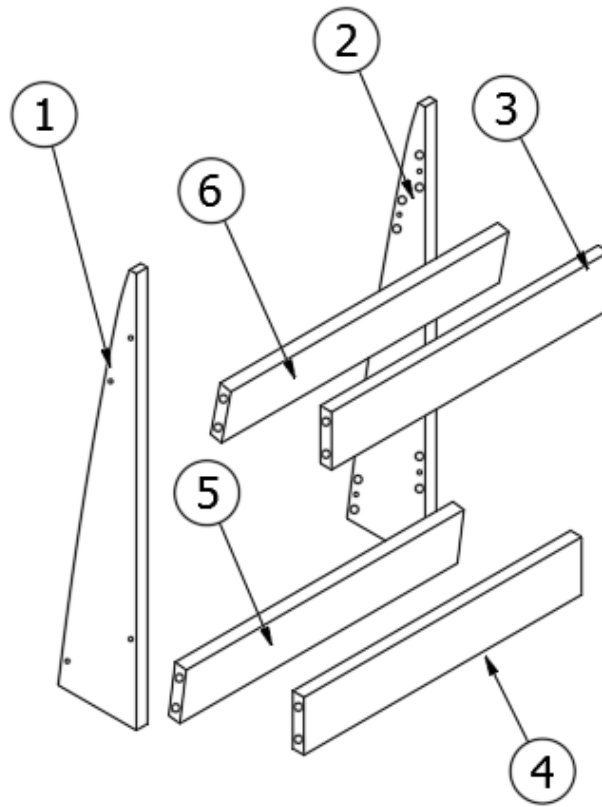
969103-01

Lavatory Assembly

- |     |                 |                                  |
|-----|-----------------|----------------------------------|
| 1.  | 969115-01       | Lavy countertop assembly         |
| 2.  | 969103&000118BC | Panel, 9.63 x 22.75              |
| 3.  | 969103&000218BC | Panel, 9.63 x 22.75              |
| 4.  | 969103&000312BC | Panel, 30 x 12.38                |
| 5.  | 969103&000412BC | Panel, 30 x 12.38                |
| 6.  | 969103&000518BC | Panel, 19.5 x 6.88               |
| 7.  | 969103&000612CC | Panel, 2.25 x 18.63              |
| 8.  | 969103&000712CC | Panel, 12.38 x 18.63             |
| 9.  | 969103&000812CC | Panel, 6.81 x 18.63              |
| 10. | 969103&000903CE | Panel, 4.75 x 19.63              |
| 11. | 969103&001003CE | Panel, 6.5 x 19.63               |
| 12. | 969103&001812BC | Pre laminate, 18.63 x 2.5        |
|     | 365385-02       | Edgebanding-White Cypress 15/16" |
|     | 365385-01       | Edgebanding-White Cypress 5/8"   |
|     | 381228-02       | Catch Grabber Door C3-805        |
|     | 381607-11       | Hinge-Self Close Overlay 110D    |
|     | 381607-12       | Baseplate-Grass 9.5x37/32        |

# 2022 BAMBI FURNITURE, LAVATORY

## Medicine Cabinet, 19'



969200

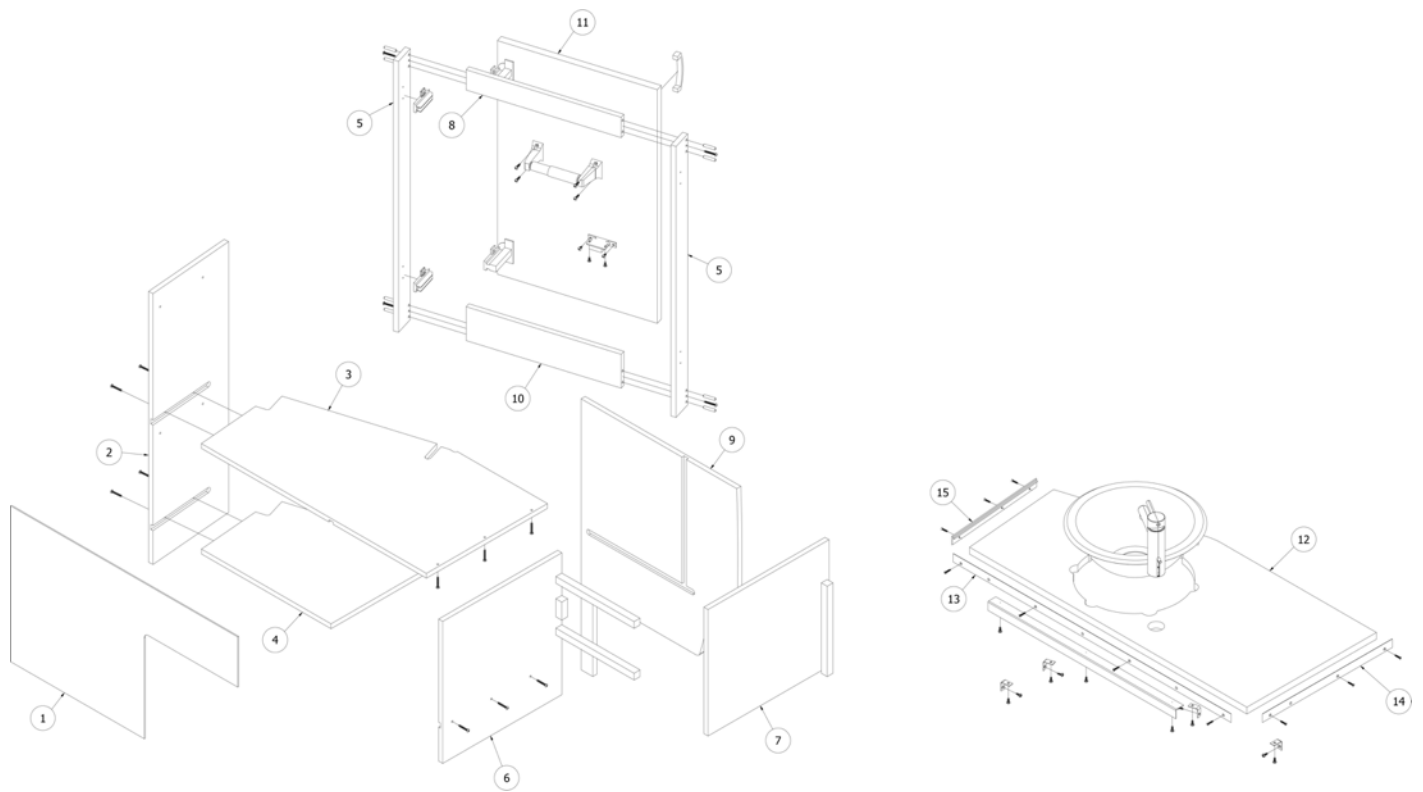
Medicine Cabinet Assembly

1. 969200&000112CC
  2. 969200&000212CC
  3. 969200&000312CC
  4. 969200&000412CC
  5. 969200&000512CC
  6. 969200&000612CC
- 365386-02

Pre laminate 3.52 x 17.8  
Pre laminate 3.52 x 17.8  
Pre laminate 2.25 x 12.5  
Pre laminate 2.25 x 12.5  
Pre laminate 2.25 x 12.5  
Pre laminate 2.25 x 12.5  
Edgebanding-White Linen .94"

# 2022 BAMBI FURNITURE, LAVATORY

## Lavatory Cabinet, 20'



Parts Listed on Next Page

## 2022 BAMBI FURNITURE, LAVATORY

### Lavatory Cabinet, 20'

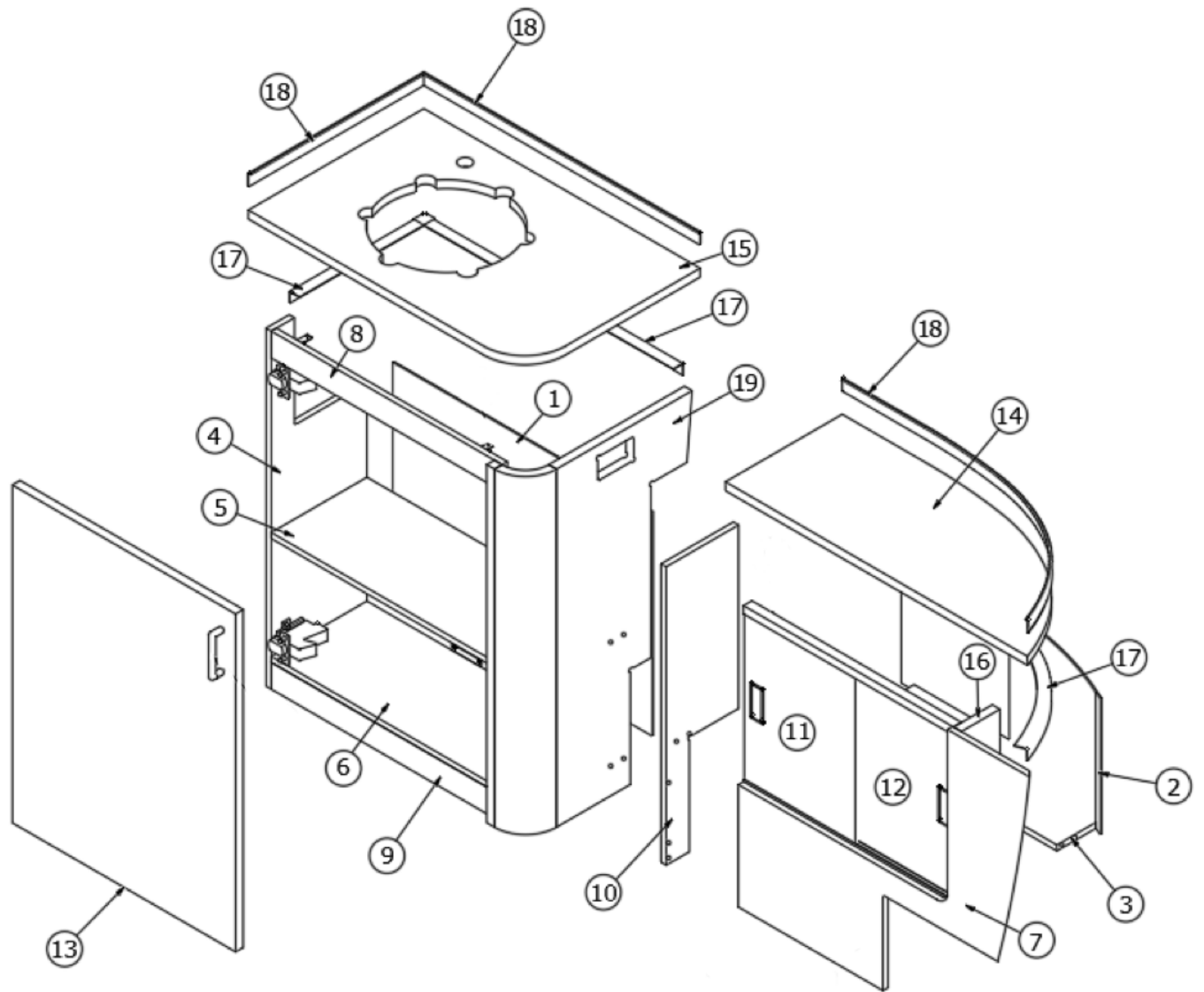
969336-01

Lavatory Cabinet Assembly

1. 969336&010103CE	Pre laminate, .13 x 17.25 x 29
2. 969336&010212CC	Pre laminate, .5 x 10.63 x 30
3. 969336&010312CC	Pre laminate, 16.59 x 30
4. 969336&010412CC	Pre laminate, 15.53 x 17.84
5. 969336&010512CC	Pre laminate, .5 x 2.25 x 30
6. 969336&010612CC	Pre laminate, .5 x 15.22 x 15.72
7. 969336&010712CC	Pre laminate, .5 x 15.47 x 14
8. 969336&010812DC	Pre laminate, .5 x 2.25 x 15.88
9. 969336&010912DC	Pre laminate, 20.04 x 30
10. 969336&011012DC	Pre laminate, .5 x 3.75 x 15.88
11. 969336&011118DC	Pre laminate, .75 x 16.38 x 25.88
12. 969336&011218JC	Pre laminate, .75 x 16.56 x 36.69
13. 115064	Trim-Alum Countertop INT
14. 969336&0116T02B	Aluminum counter molding
15. 969336&0117T02B	Aluminum counter molding
380034	Toilet Paper Holder Chrome
381228-02	Catch, Grabber door
381607-11	Hinge, Self-close
381607-12	Baseplate
380041	Bracket, 90 deg, 1 x 1
365385-01	Edgebanding-White Cypress 5/8"
365386-02	Edgebanding-White Linen .94"
365385-02	Edgebanding-White Cypress 15/16"
365491-02	Edgebanding - 15/16 - 2MM Linen
382044	Handle-Brushed Nickel
601804-01	Sink, 12"
602859	Faucet Pfister Parisa & Braided

# 2022 BAMBI FURNITURE, LAVATORY

Lavatory Cabinet, 22'



Parts Listed on Next Page

## 2022 BAMBI FURNITURE, LAVATORY

### Lavatory Cabinet, 22'

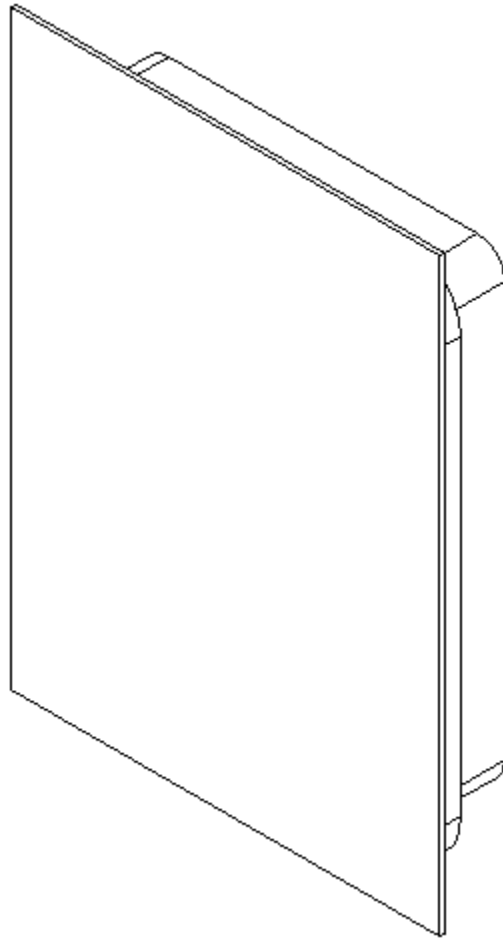
968951

Lavatory Assembly

1. 968951&000103CE	Pre laminate, 25.13 x 18.75
2. 968951&000203CE	Pre laminate, 9.73 x 7
3. 968951&000312CC	Pre laminate, 20.35 x 6.52
4. 968951&000412CC	Pre laminate, 30 x 9.27
5. 968951&000512CC	Pre laminate, 24.63 x 9.27
6. 968951&000612CC	Pre laminate, 24.63 x 9.27
7. 968951&000712DC	Pre laminate, 28.96 x 25
8. 968951&000812DC	Pre laminate, 2.25 x 22.38
9. 968951&000912DC	Pre laminate, 2.25 x 22.38
10. 968951&001012CC	Pre laminate, 25 x 7.02
11. 968951&001112DC	Pre laminate, 14.50 x 10.75
12. 968951&001212DC	Pre laminate, 14.50 x 10.75
13. 968951&001318DC	Pre laminate, 21.63 x 28.31
14. 968951&001418JC	Pre laminate, 29.25 x 11.31
15. 968951&001518JC	Pre laminate, 26.75 x 17
16. 968951&001618BC	Pre laminate, 3.75 x 14.63
17. 114812	Alum. Angle 1" x 1 "x 12"
18. 115064	Trim-Alum Countertop INT
19. 968952	Sub ASSY Lavy Round Corner
115374	Track, Sliding door, Black
382044	Handle-Brushed Nickel
382437-1	Pull-Recessed Finger-Pol. Nickel
365386-02	Edgebanding-White Linen .94"
365385-02	Edgebanding-White Cypress 15/16"
381228-02	Catch Grabber Door C3-803380041
381607-11	Hinge-Self Close Overlay 110D
381607-12	Baseplate-Grass 9.5 x 37/32
380034	Toilet Paper Holder Chrome

2022 BAMBI  
FURNITURE, LAVATORY

Medicine Cabinet with Mirror, 16', 19', 20'

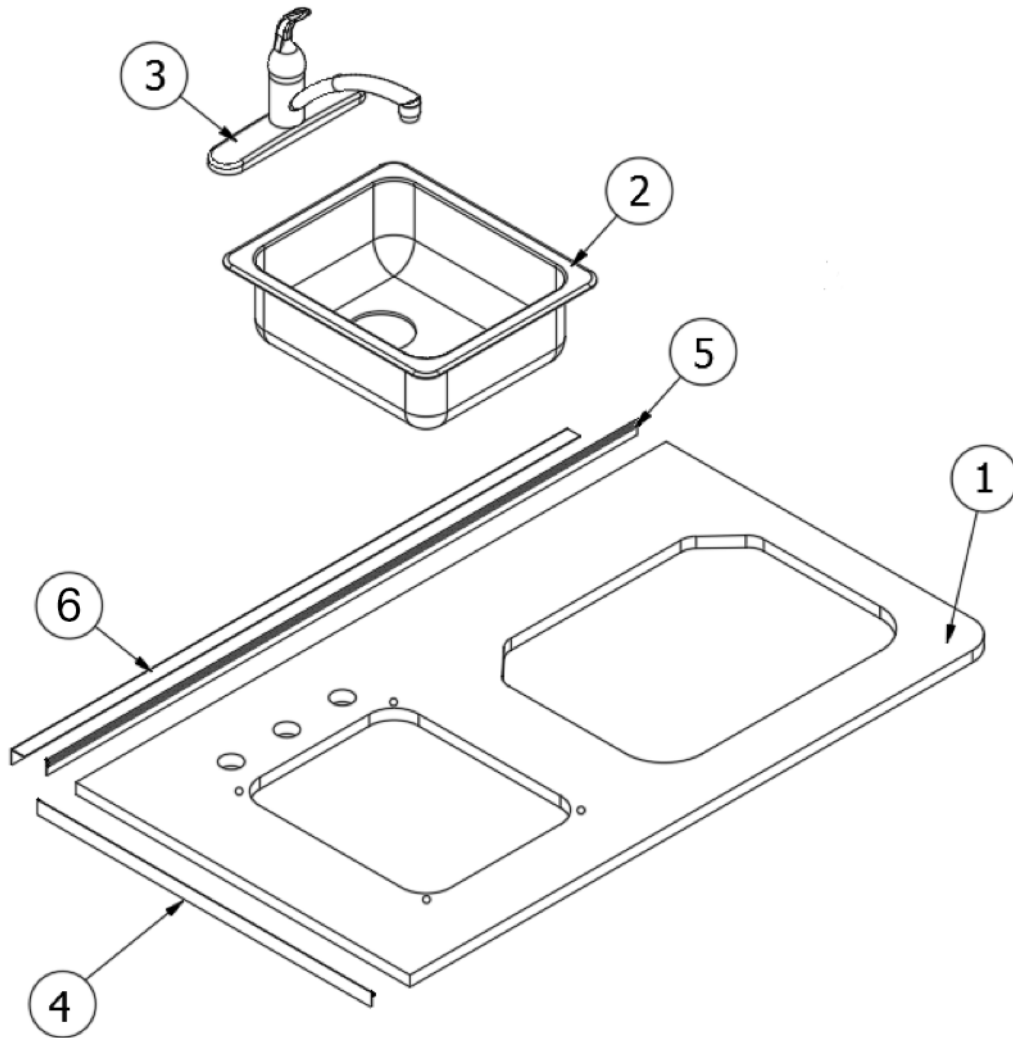


601847      Medicine cabinet w/mirror, 16 x 22



# 2022 BAMBI FURNITURE, GALLEY

## Galley Top, 16'



969162

### Galley Top Assembly

1. 969162&009618JC

Pre laminate, .75 x 24.5 x 42.5

2. 602827

Sink, SS Single Bowl, 13x15

3. 602243

Faucet-Galley Chateau - One Handle Chrome

4. 115064

Trim-Alum Countertop

5. 969162&0003T02B

Aluminum counter molding

6. 114812

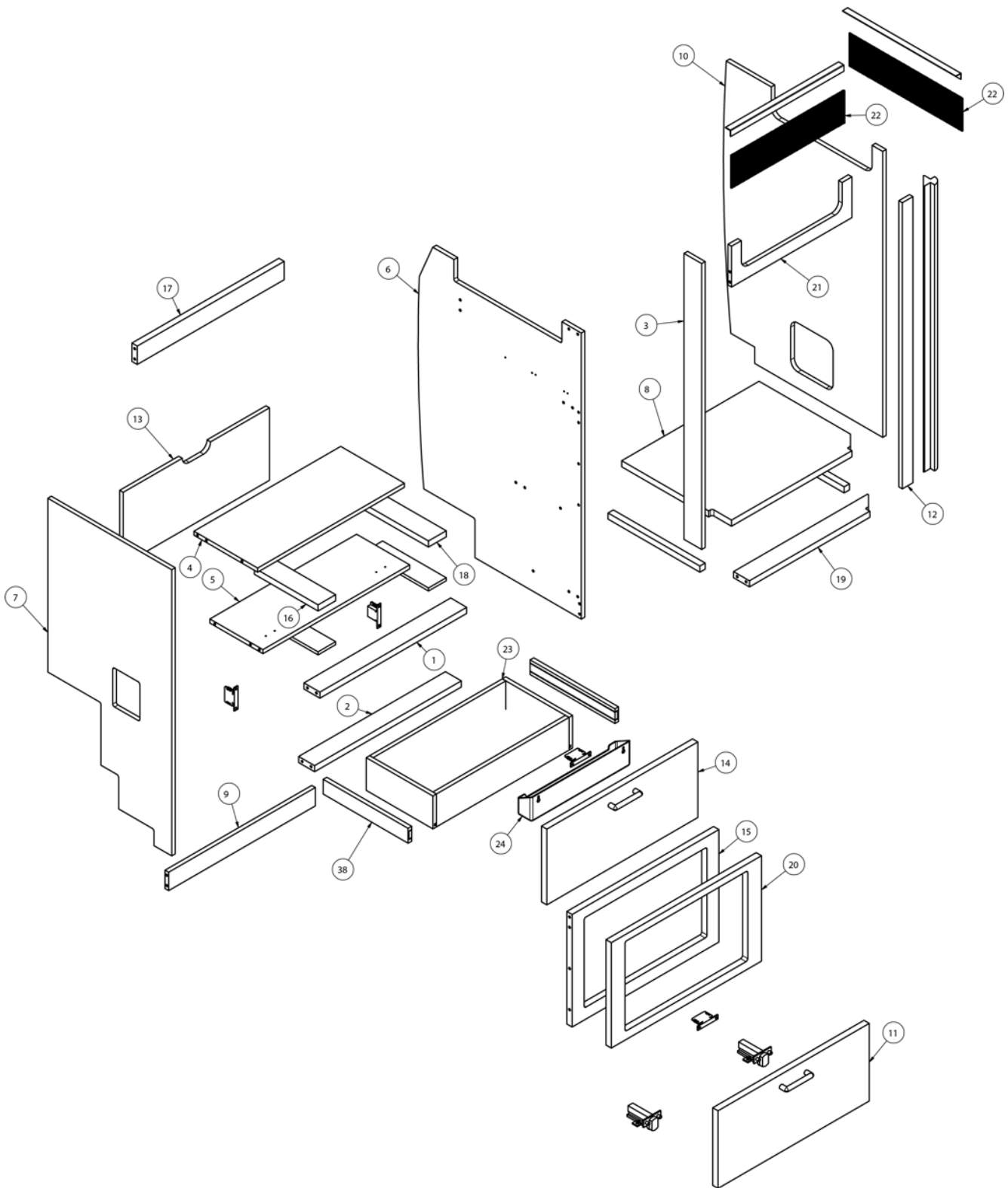
Aluminum angle, 1" x 1 "x 40

600968

Drainer basket kit

# 2022 BAMBI FURNITURE, GALLEY

## Galley Cabinet, 16'



## 2022 BAMBI

Parts Listed on Next Page  
FURNITURE, GALLEY

### Galley Cabinet, 16'

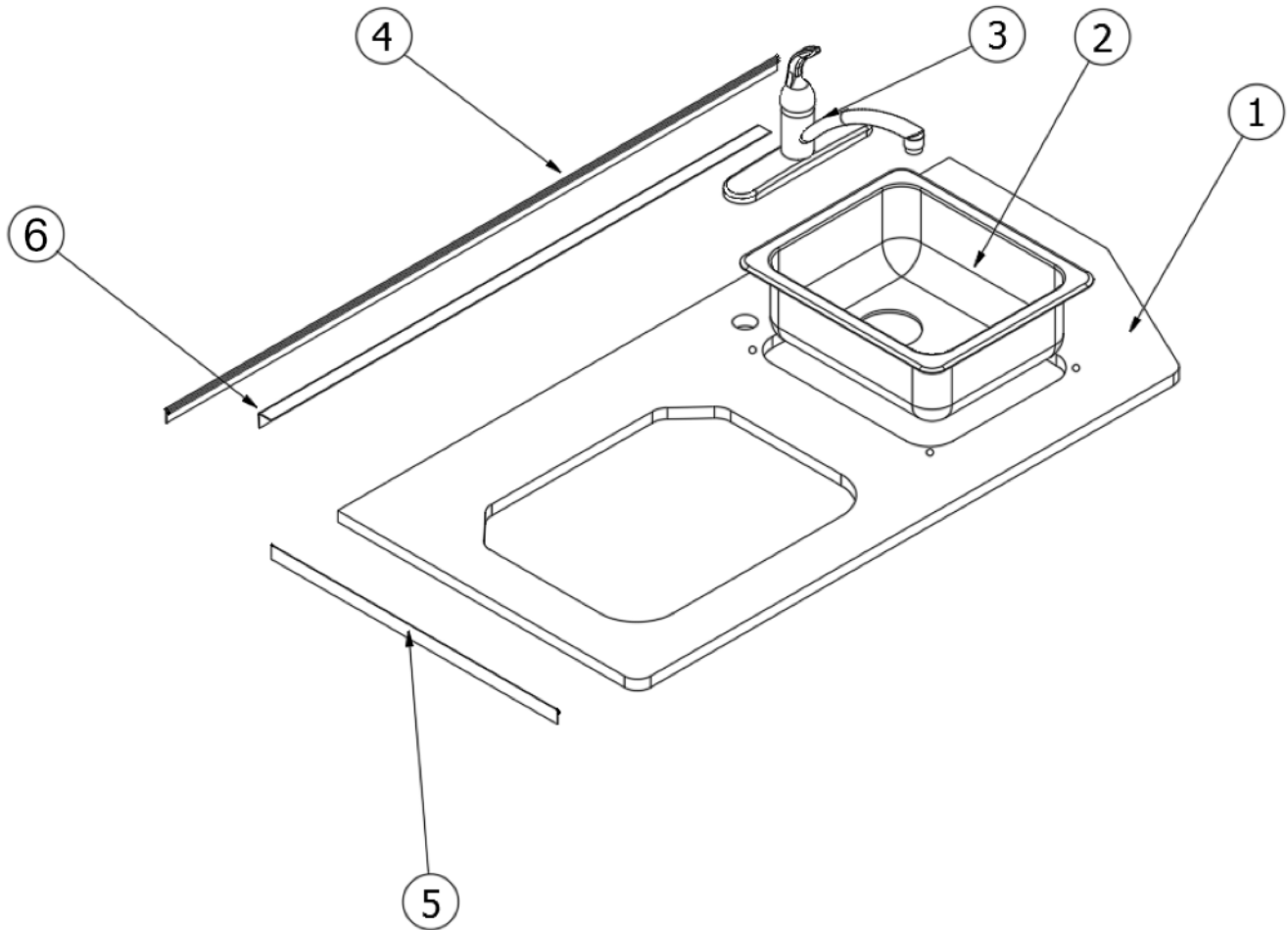
968941

Galley Cabinet Assembly

1. 968941&000118CC	Pre laminate, 2.25 x 20.75
2. 968941&000218CC	Pre laminate, 2.25 x 20.75
3. 968941&000412CC	Pre laminate, .5 x 2.5 x 35
4. 968941&000612CC	Pre laminate, 9 x 20.75
5. 968941&000712CC	Pre laminate, 7.5 x 20.75
6. 968941&000812CC	Pre laminate, .5 x 23.5 x 35
7. 968941&000912CC	Pre laminate, .5 x 18 x 35
8. 968941&001018CC	Pre laminate, .75 x 19.03 x 19.43
9. 968941&001212DC	Pre laminate, 4.25 x 20.75
10. 968941&001512BE	Pre laminate, .5 x 23.1 x 35
11. 968941&001618DC	Pre laminate, .75 x 7.56 x 21.75
12. 968941&001712BE	Pre laminate, .5 x 1.5 x 35
13. 968941&001812CC	Pre laminate, .5 x 8.88 x 20.69
14. 968941&002118DC	Pre laminate, .75 x 9.69 x 21.75
15. 968941&002218DC	Pre laminate, 13.94 x 20.75
16. 968941&003918CC	Pre laminate, .75 x 2.5 x 9
17. 968941&004018CC	Pre laminate, 2.25 x 20.75
18. 968941&004118CC	Pre laminate, .75 x 2.5 x 9
19. 968941&004218CC	Pre laminate, 2.25 x 18.93
20. 968941&004318DC	Pre laminate, .75 x 21.38 x 12.9
21. 968941&004612DC	Pre laminate, 17 x 5
22. 116145-02	Perforated vent metal, 4 x 16
23. 968224-10	Assembly, Galley Base Drawer
24. 381686	Tray, Plastic, 14"
381400-01	Slide drawer, 12", Pair
801415-0029	Corner Trim 1", White Cypress x 35.00
382044	Handle Brushed Nickel
203445-01	T-Trim - .5625" White
365385-01	Edgebanding-White Cypress 5/8"
365385-02	Edgebanding-White Cypress 15/16"
365385-03	Edgebanding- 1.25" - 1MM - White Cypress
381228-02	Catch Grabber Door C3-803
381607-11	Hinge-Self Close Overlay 110D
381607-12	Baseplate-Grass 9.5 x 37/32

# 2022 BAMBI FURNITURE, GALLEY

Galley Top, 19'



969167

Galley Top Install

1. 969167&000118JC

Pre laminate, .75 x 22.82 x 46.56

2. 602827

Sink, SS Single Bowl, 13 x 15

3. 602243

Faucet-Galley Chateau - One Handle Chrome

4. 115064

Trim-Alum Countertop

5. 969167&0003T02B

Aluminum counter molding

6. 114812

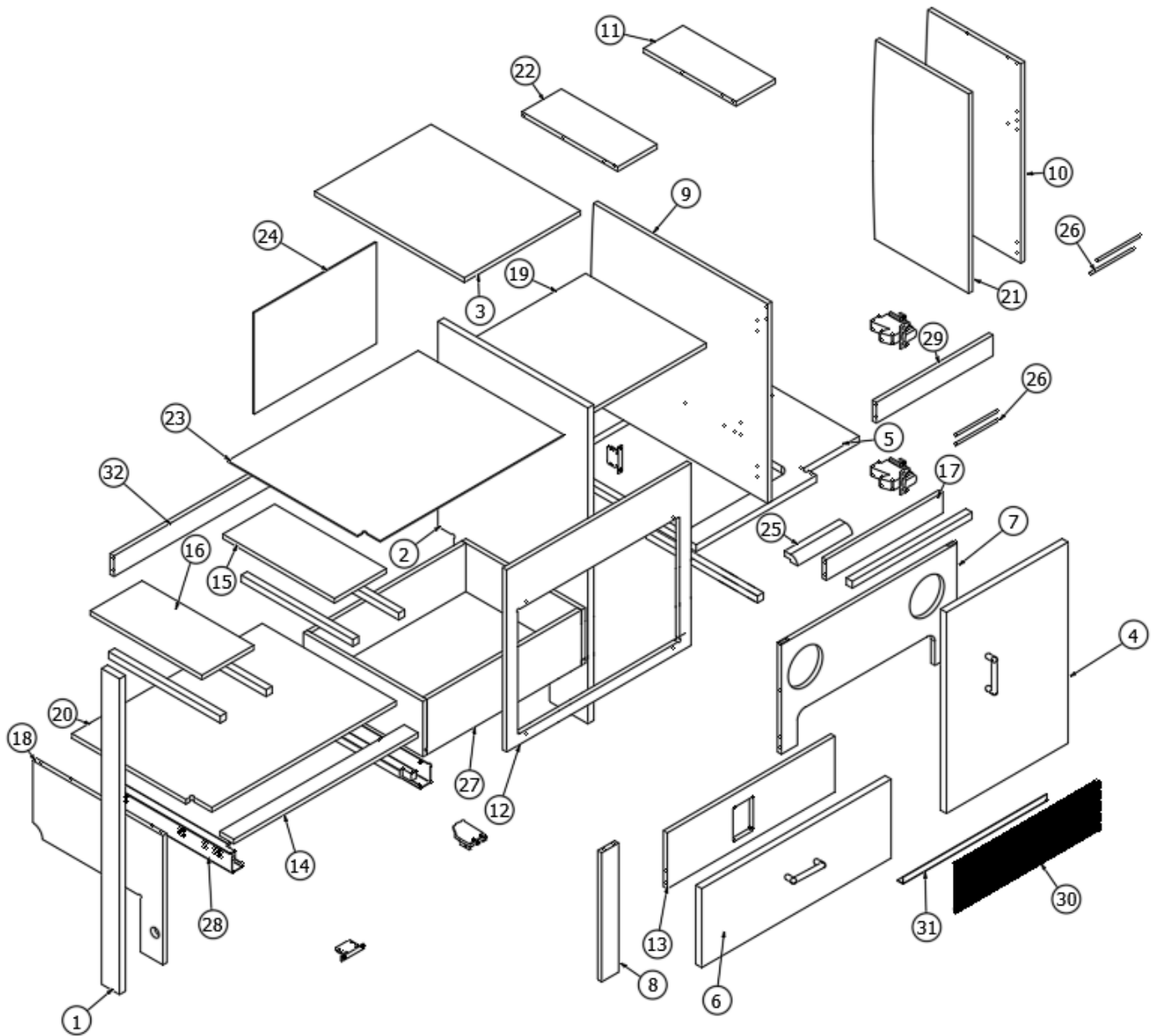
Alum. Angle 1" x 1 "x 12"

600963

Drainer basket kit

# 2022 BAMBI FURNITURE, GALLEY

## Galley Cabinet, 19'



Parts Listed on Next Page

## 2022 BAMBI FURNITURE, GALLEY

### Galley Cabinet, 19'

969113-01

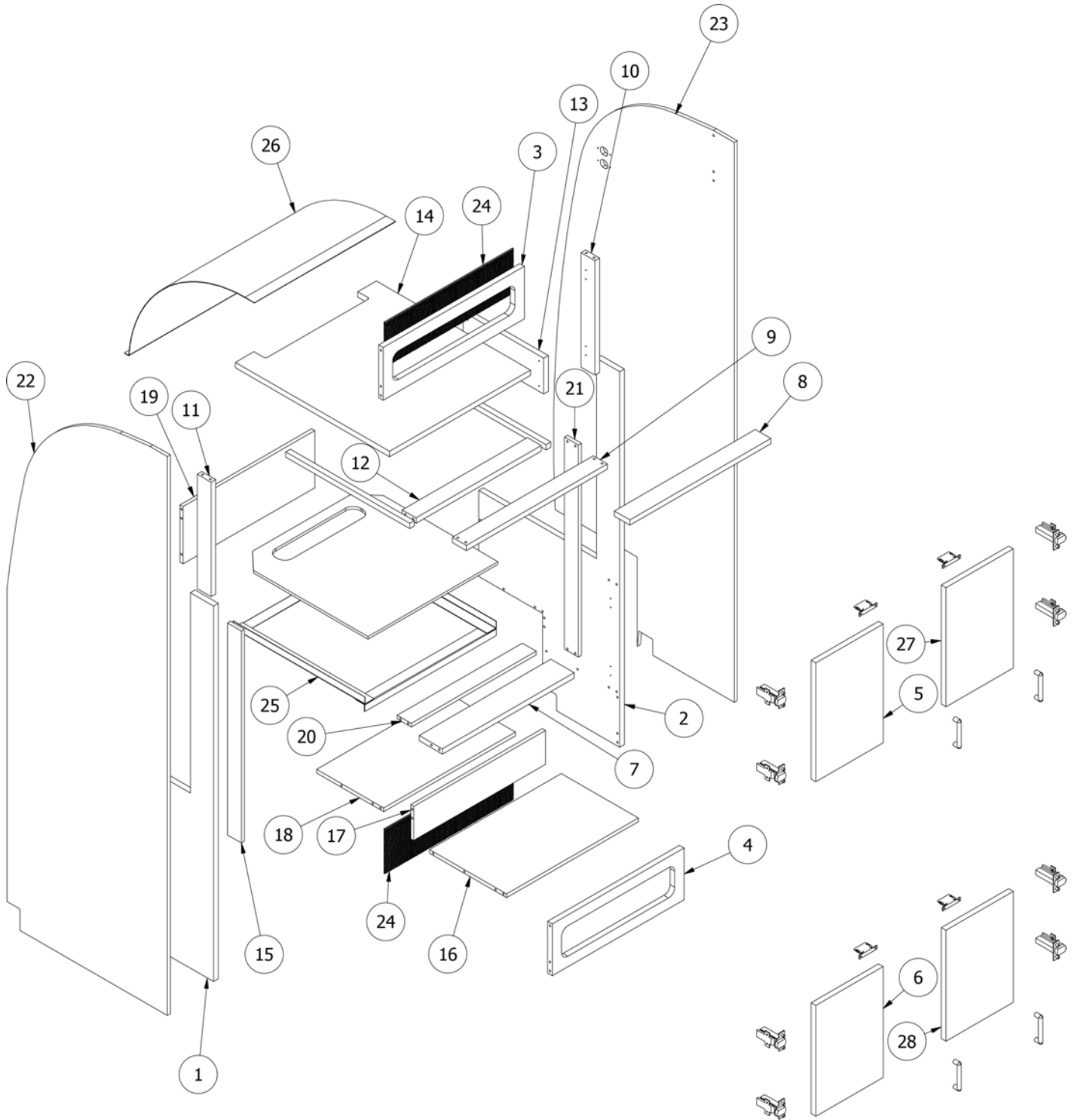
1. 969113&010218CC
2. 969113&010418CC
3. 969113&010518DC
4. 969113&010618DC
5. 969113&010718DC
6. 969113&010818DC
7. 969113&010912DC
8. 969113&011012DC
9. 969113&011112DC
10. 969113&011312GG
11. 969113&011412DC
12. 969113&011512DC
13. 969113&011812DC
14. 969113&011912CC
15. 969113&012012CC
16. 969113&012112CC
17. 969113&012212CC
18. 969113&012312CC
19. 969113&012412CC
20. 969113&012512CC
21. 969113&012612DC
22. 969113&012712GG
23. 969113&012803CE
24. 969113&012903CE
25. 801706-0029
26. 115042
27. 969707-08
28. 382807-07
29. 969113&015512DC
30. 115855
31. 115483
32. 969113&015812CC
- 382044
- 365385-02
- 365385-01
- 203445-01
- 381607-14
- 381607-12
- 381228-02

### Galley Cabinet Assembly

- Pre laminate, 2.25 x 34.25
- Pre laminate, .75 x 34.25 x 18.81
- Pre laminate, .75 x 10.56 x 9.94
- Pre laminate, .75 x 15.26 x 21.81
- Pre laminate, .75 x 22 x 22
- Pre laminate, .75 x 21.63 x 8.56
- Pre laminate, 22 x 11.88
- Pre laminate, .5 x 2.13 x 14
- Pre laminate, 22.18 x 21.63
- Pre laminate, 12 x 21.63
- Pre laminate, 4.93 x 11.59
- Pre laminate, .5 x 23.13 x 19.75
- Pre laminate, 21 x 6.06
- Pre laminate, .5 x 1.75 x 23.13
- Pre laminate, .5 x 6.5 x 14
- Pre laminate, .5 x 6.5 x 14
- Pre laminate, 2.25 x 14.63
- Pre laminate, .5 x 14 x 16.31
- Pre laminate, 15.13 x 14.63
- Pre laminate, .5 x 23.88 x 16.81
- Pre laminate, 12 x 21.63
- Pre laminate, 4.93 x 12
- Pre laminate, .13 x 18.25 x 23.88
- Pre laminate, .13 x 15.38 x 11
- Hardwood Radius x 6.88,
- Rod-.25" Aluminum 6' Length
- Drawer Box 6 x 15 x 20.38
- Drawer Slide- 15" Self-Close
- Pre laminate, 2.25 x 14.63
- Alum-Perforated .063 x 48 x 120
- Angle-Alum .06x.75"x.75"x6'
- Pre laminate, 2.25 x 21
- Handle Brushed Nickel
- Edgebanding-White Cypress 15/16"
- Edgebanding-White Cypress 5/8"
- T-trim molding, White
- Hinge Nickel Plated Self Closing
- Baseplate-Grass 9.5 x 37/32
- Catch Grabber Door C3-805

# 2022 BAMBI FURNITURE, GALLEY

## Refrigerator Cabinet, 19'



Parts Listed on Next Page

## 2022 BAMBI FURNITURE, GALLEY

### Refrigerator Cabinet, 19'

969102

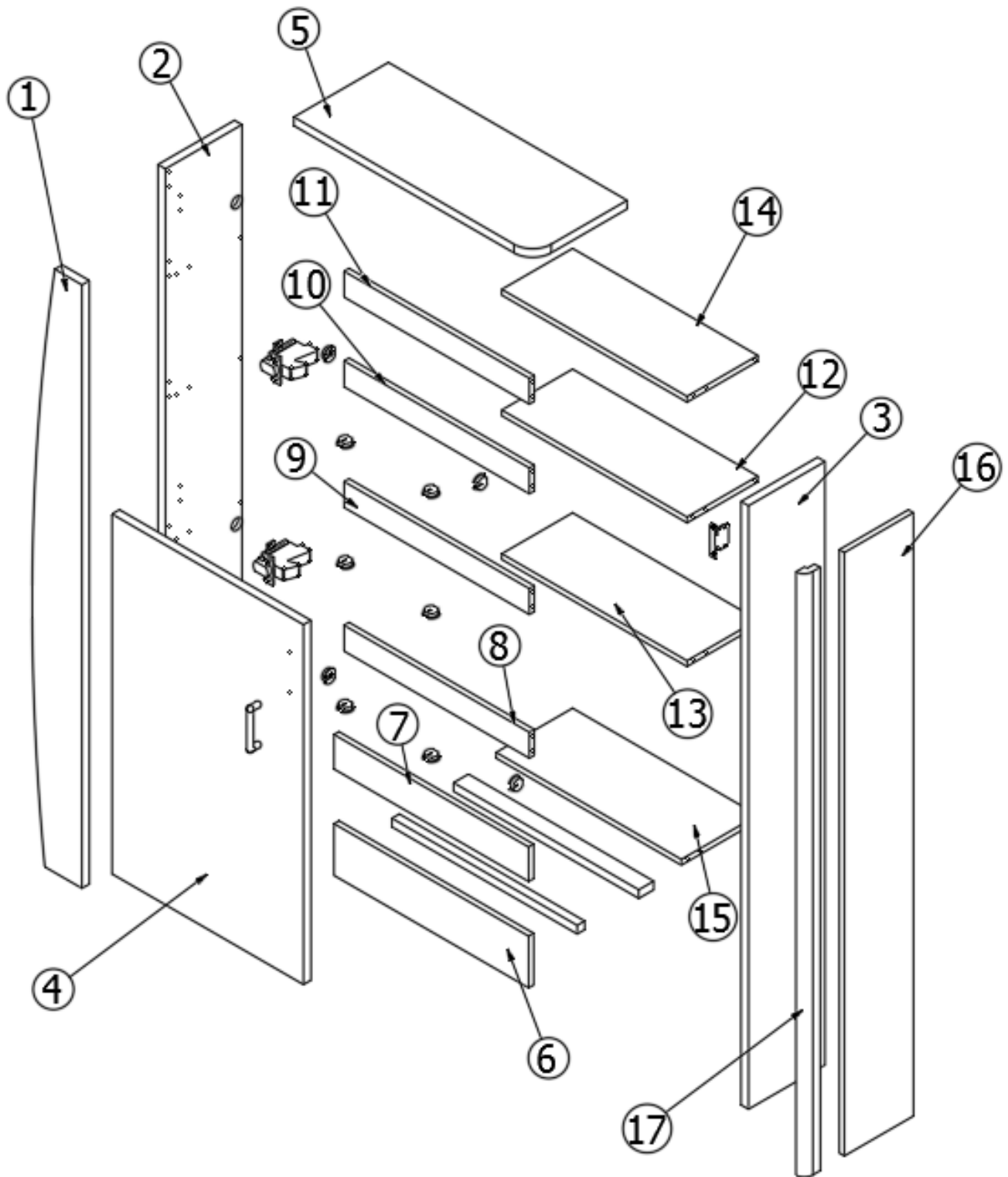
Refrigerator Cabinet Assembly

1. 969102&000118DC	Pre laminate, .75 x 52.5 x 22.75
2. 969102&000218DC	Pre laminate, .75 x 52.5 x 22.75
3. 969102&000318DC	Pre laminate, .75 x 22.75 x 7.5
4. 969102&000418DC	Pre laminate, 21.25 x 7.25
5. 969102&000518DC	Pre laminate, .75 x 21.88 x 16.63
6. 969102&000618DC	Pre laminate, .75 x 21.88 x 15.5
7. 969102&000718DC	Pre laminate, 3.75 x 21.25
8. 969102&000818CC	Pre laminate, .75 x 2.5 x 22.75
9. 969102&000918CC	Pre laminate, .75 x 2.25 x 22.75
10. 969102&001018CC	Pre laminate, 2.25 x 16
11. 969102&001118CC	Pre laminate, 2.25 x 16
12. 969102&001218CC	Pre laminate, 2.25 x 20.25
13. 969102&001318CC	Pre laminate, .75 x 5 x 13
14. 969102&001418GG	Pre laminate, .75 x 22.75 x 24.88
15. 969102&001512CC	Pre laminate, .5 x 2.25 x 29.63
16. 969102&001612CC	Pre laminate, 21.25 x 12.43
17. 969102&001712CC	Pre laminate, 21.25 x 3.75
18. 969102&001812CC	Pre laminate, 21.25 x 10.82
19. 969102&001912CC	Pre laminate, 21.25 x 9
20. 969102&002012CC	Pre laminate, 2.25 x 20.25
21. 969102&002112CC	Pre laminate, .5 x 2.25 x 29.63
22. 969102&002212GG	Pre laminate, 25.83 x 78.4
23. 969102&002312GG	Pre laminate, 29.13 x 78.48
24. 116145-03	Perforated Vent Metal 6.25 x 20.75
25. 968986	Refer Stand Assy - CVL/BAM
26. 116109	Refer Cab Vent Metal
27. 969102&003118DC	Pre laminate, .75 x 10.88 x 16.63
28. 969102&003218DC	Pre laminate, .75 x 10.88 x 15.5
365385-02	Edgebanding-White Cypress 15/16"
365385-01	Edgebanding-White Cypress 5/8"
203445-01	T-Molding - .5625" White
382044	Handle Brushed Nickel
381607-14	Hinge Nickel Pltd Self Closing
381607-12	Baseplate-Grass 9.5x37/32
381228-02	Catch Grabber Door C3-805



# 2022 BAMBI FURNITURE, GALLEY

## Entry Shelving Unit, 19'



# 2022 BAMBI

Parts Listed on Next Page  
FURNITURE, GALLEY

## Entry Shelving Unit, 19'

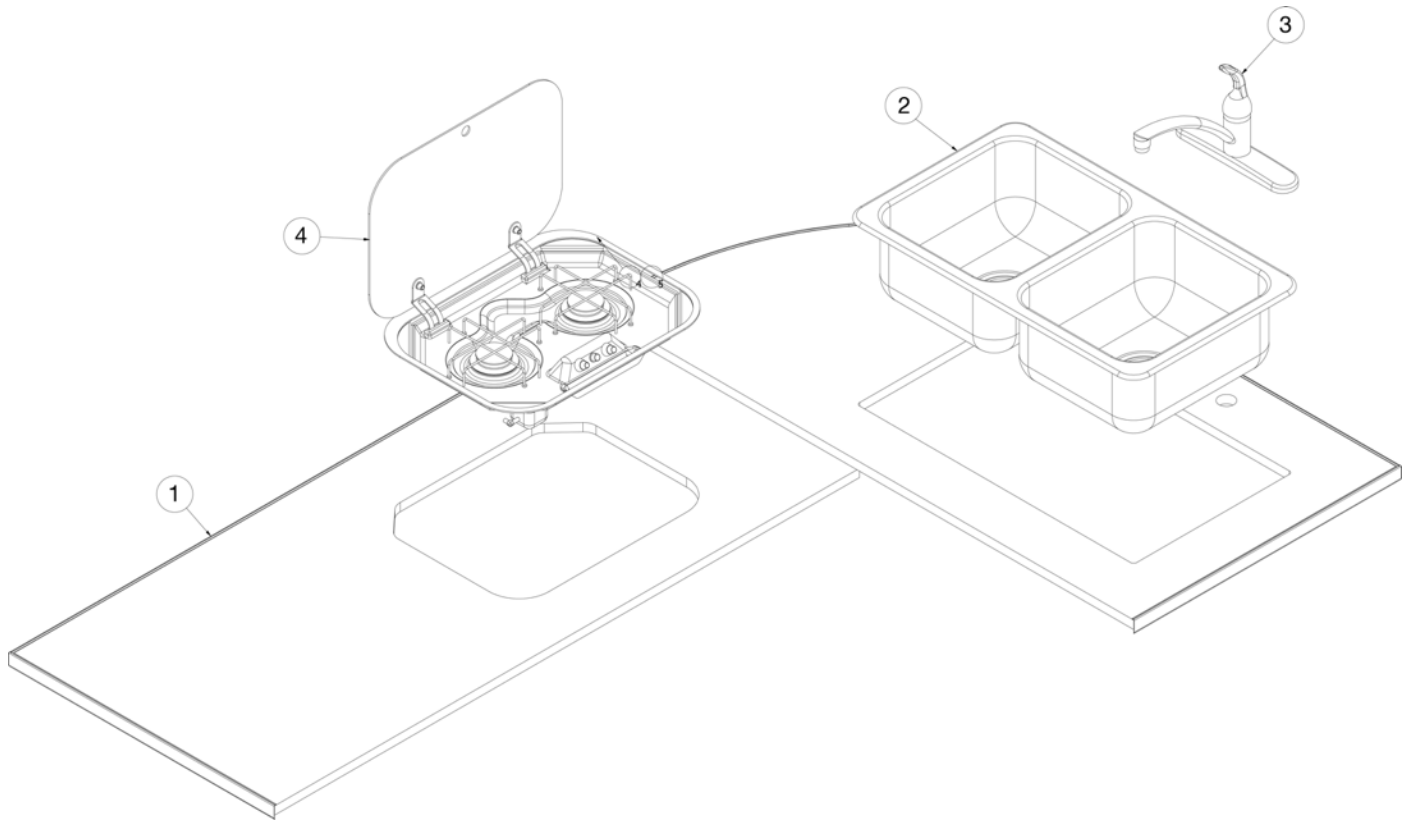
969116

Entry Shelving Unit Assembly

1. 969116&000118DC	Pre laminate, 5. x 50.5
2. 969116&000218DC	Pre laminate, .75 x 7.69 x 50.5
3. 969116&000318DC	Pre laminate, .75 x 7.69 x 50.5
4. 969116&000418DC	Pre laminate, .75 x 19.25 x 31.31
5. 969116&000518JC	Pre laminate, .75 x 9.5 x 24
6. 969116&000612GG	Pre laminate, .5 x 4.5 x 19.57
7. 969116&000712GG	Pre laminate, .5 x 3 x 19.57
8. 969116&000812GG	Pre laminate, 2.25 x 18.63
9. 969116&000912GG	Pre laminate, 2.25 x 18.63
10. 969116&001012GG	Pre laminate, 2.25 x 18.63
11. 969116&001112GG	Pre laminate, 2.25 x 18.63
12. 969116&001212GG	Pre laminate, 7.12 x 18.63
13. 969116&001312GG	Pre laminate, 7.12 x 18.63
14. 969116&001412GG	Pre laminate, 7.12 x 18.63
15. 969116&001512GG	Pre laminate, 7.69 x 18.63
16. 969116&001612GG	Pre laminate, .5 x 50.5 x 7
17. 801706-0029	Hardwood radius x 50.5
381607-14	Hinge Nickel Plated Self Closing
381607-12	Baseplate-Grass 9.5x37/32
381228-02	Catch Grabber Door C3-805
382057	Knockdown 8MM #16289B
365385-02	Edgebanding-White Cypress 15/16"
365385-01	Edgebanding-White Cypress 5/8"
365491-02	Edgebanding - 15/16 - 2MM Linen
382057-04	D-cover cap, White
382044	Handle Brushed Nickel

# 2022 BAMBI FURNITURE, GALLEY

## Galley Top, 20'



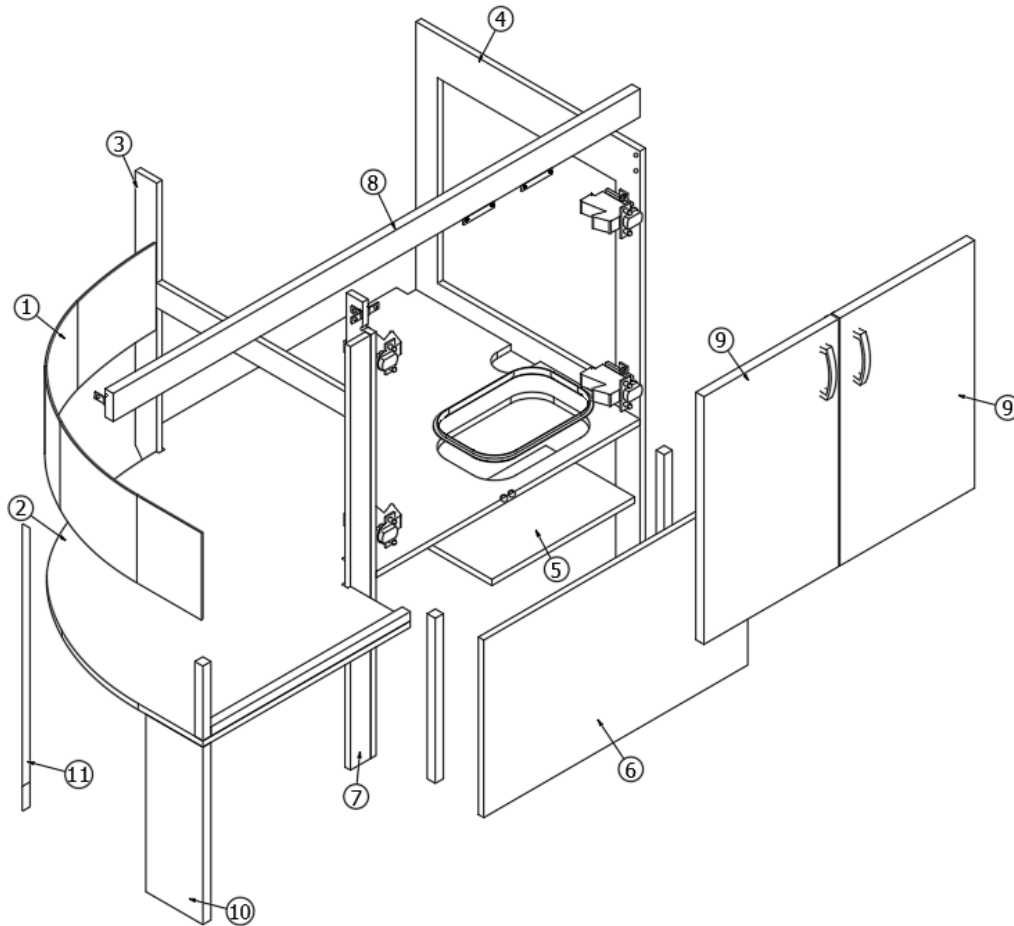
112999

### Galley Top Install

- |              |   |
|--------------|---|
| 1. 969088-01 | Galley Top Assy - 20' Bambi               |
| 2. 602172    | Sink-Stainless Steel 16" x 27"            |
| 3. 602243    | Faucet-Galley Chateau - One Handle Chrome |
| 4. 690784    | Cooktop, Two Burner, Suburban             |
| 601714-01    | Tail Piece 1-1/2 x 4" (Galley Drain)      |
| 601714-02    | 1-1/2" Slip Nut W/Wings                   |
| 601714-03    | 1-1/2" Black Rubber Washer                |
| 600963       | Drainer Basket Kit                        |

# 2022 BAMBI FURNITURE, GALLEY

## Galley Cabinet, Aft 20'



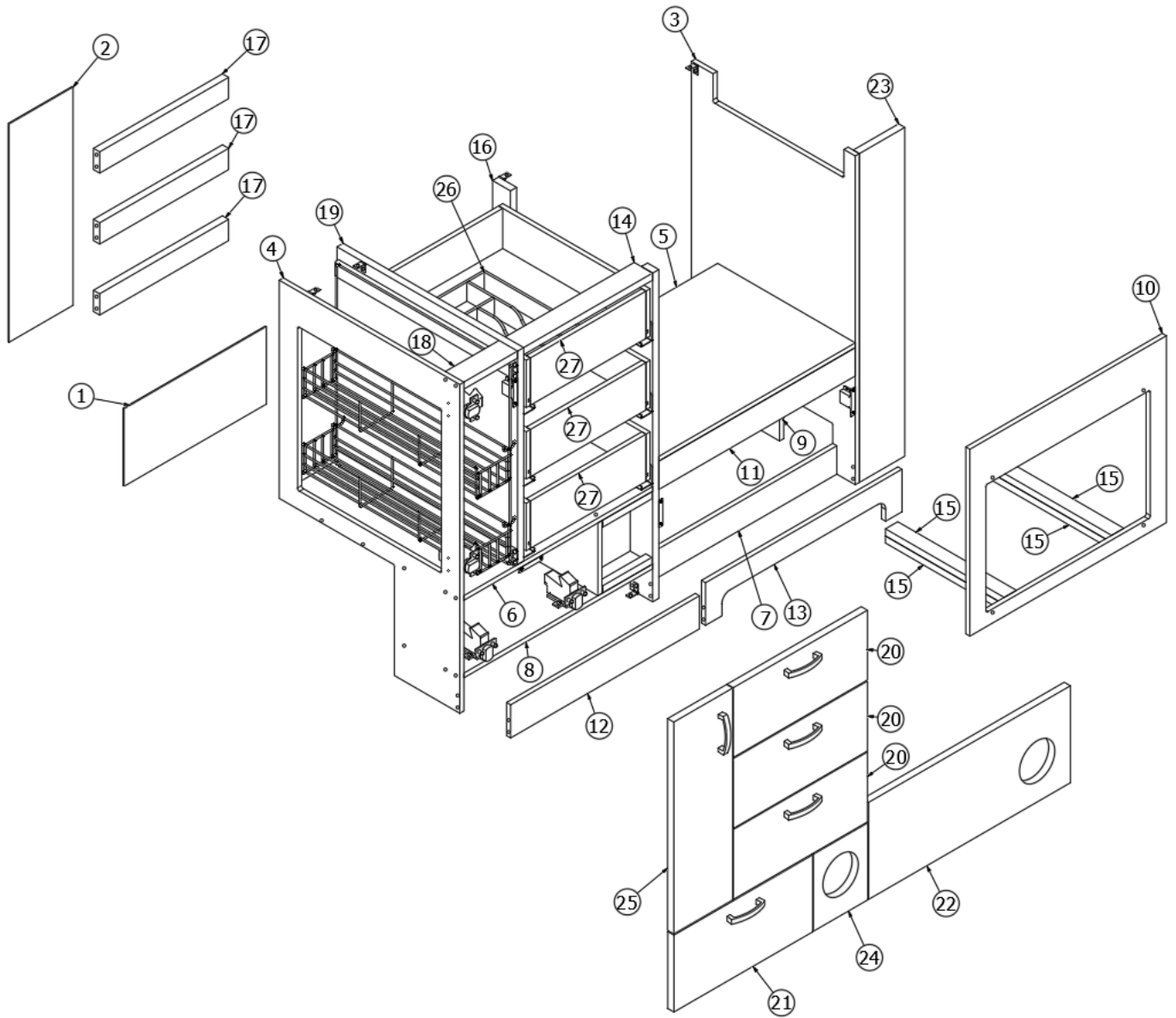
969086

### Aft Galley Cabinet Assembly

- |                     |                                  |
|---------------------|----------------------------------|
| 1. 969086&000103CE  | Pre-Laminate 7 x 39.33           |
| 2. 969086&000212CC  | 28.41 x 46.13                    |
| 3. 969086&000312CC  | Pre laminate, .5 x 21.86 x 34.75 |
| 4. 969086&000412CC  | Pre laminate, .5 x 20.80 x 34.75 |
| 5. 969086&000512CC  | Pre laminate, .5 x 13.25 x 8.25  |
| 6. 969086&000612DC  | Pre laminate, 24.5 x 14.25       |
| 7. 969086&000712DC  | Pre laminate, .5 x 1.88 x 34.75  |
| 8. 969086&000818CC  | Pre laminate, 2.25 x 24.5        |
| 9. 969086&000918DC  | Pre laminate, .75 x 12.5 x 19.88 |
| 10. 969086&001012CC | Pre laminate, .5 x 2 x 29.83     |
| 11. 969086&001118CC | Pre laminate, .75 x 5.29 x 14.25 |
| 381607-14           | Hinge Nickel Plated Self Closing |
| 381228-02           | Catch Grabber Door, 5 lb.        |
| 365386-01           | Edgebanding-Linen .63"           |
| 365386-02           | Edgebanding-White Linen .94"     |
| 382044              | Handle Brushed Nickel            |
| 203445-01           | T-molding, 9/16"                 |

# 2022 BAMBI FURNITURE, GALLEY

## Galley Cabinet, Forward, 20'



Parts Listed on Next Page

## 2022 BAMBI FURNITURE, GALLEY

### Galley Cabinet, Forward, 20'

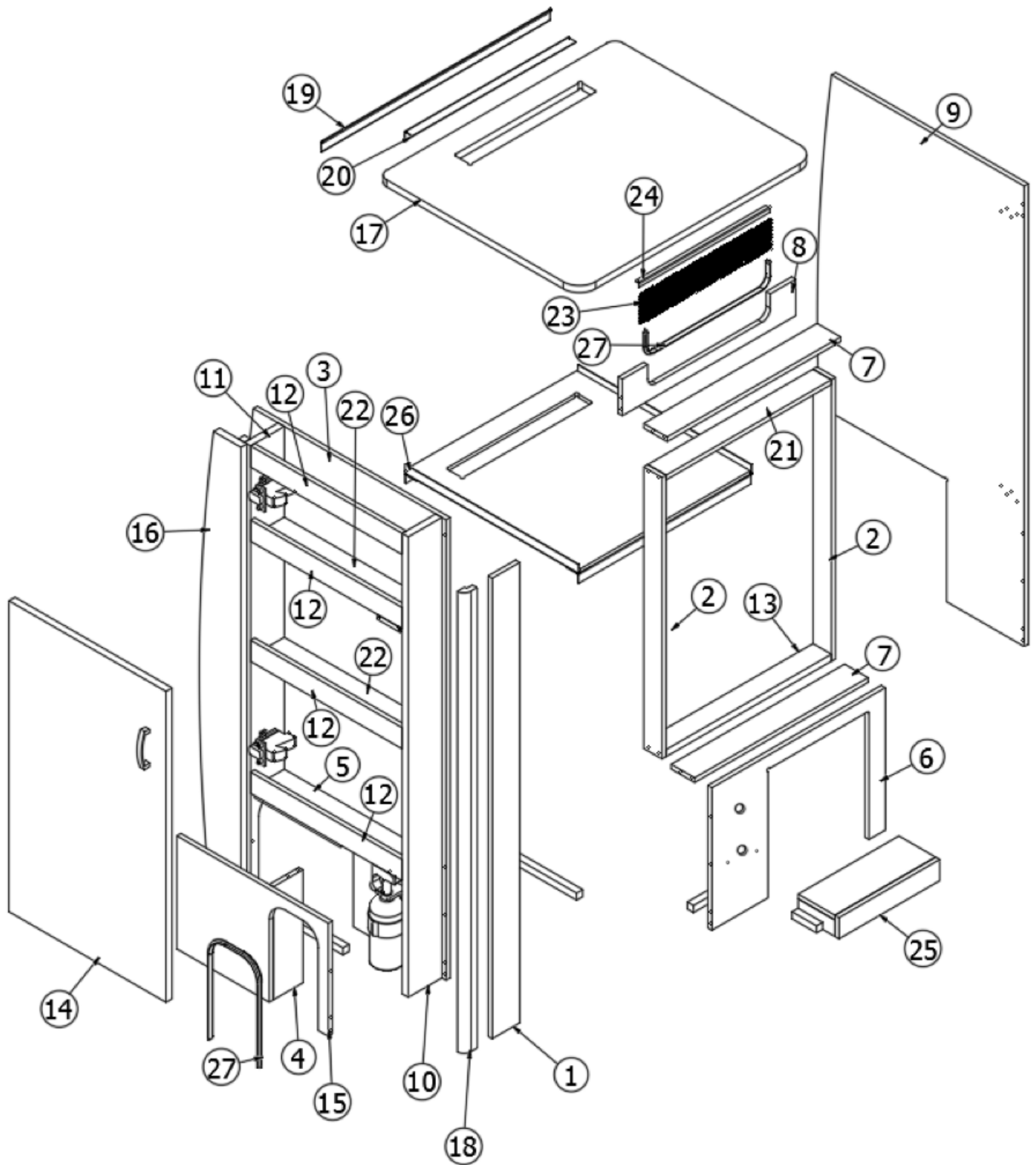
969087

Forward Galley Cabinet Assembly

1. 969087&000103CE Pre laminate, .13 x 17.38 x 8.19
2. 969087&000203CE Pre laminate, .13 x 7.81 x 23.06
3. 969087&000312CC Pre laminate, .5 x 20.01 x 34.75
4. 969087&000412CC Pre laminate, .5 x 22.06 x 34.75
5. 969087&000612CC Pre laminate, 16.81 x 24
6. 969087&000712CC Pre laminate, 22.06 x 23.06
7. 969087&000812DC Pre laminate, 3 x 24
8. 969087&000912CC Pre laminate, 8 x 23.06
9. 969087&001012CC Pre laminate, 8 x 7.69
10. 969087&001212DC Pre laminate, .5 x 24.00 x 19.75
11. 969087&001312DC Pre laminate, 3 x 24
12. 969087&001412DC Pre laminate, 3.5 x 23.06
13. 969087&011512DC Pre laminate, 4.5 x 24
14. 969087&001618CC Pre laminate, 2.25 x 15.75
15. 969087&001818CC Pre laminate, .75 x 1.50 x 14.5
16. 969087&001918CC Pre laminate, .75 x 19.56 x 34.75
17. 969087&002018CC Pre laminate, 2.25 x 15.75
18. 969087&002112CC Pre laminate, 2.25 x 6.56
19. 969087&002218CC Pre laminate, 22.06 x 22.56
20. 969087&002318DC Pre laminate, .75 x 16.38 x 7.38
21. 969087&002418DC Pre laminate, .75 x 16.94 x 8.13
22. 969087&002518DC Pre laminate, .75 x 24.63 x 10.25
23. 969087&002618DC Pre laminate, .75 x 5.55 x 34.75
24. 969087&002718DC Pre laminate, .75 x 6.63 x 8.13
25. 969087&002818DC Pre laminate, .75 x 7.19 x 22.38
26. 968024 Insert, Cutlery Drawer
27. 969706-01 Drawer Box Assy 5 x 15.13 x 18
- 382044 Handle Brushed Nickel
- 380041 Brace 1" Stanley Corner
- 381228-02 Catch Grabber Door C3-803
- 381551-02 Wire Basket 4" Wide White
- 386346 Basket-Pantry Slide Out
- 381607-14 Hinge Nickel Plated Self Closing
- 382807-08 Drawer Slide 18" Self-Close
- 381228 Catch Grabber Door, 10 Lb.

# 2022 BAMBI FURNITURE, GALLEY

## Refrigerator Cabinet, 20'



Parts Listed on Next Page

## 2022 BAMBI FURNITURE, GALLEY

### Refrigerator Cabinet, 20'

969099

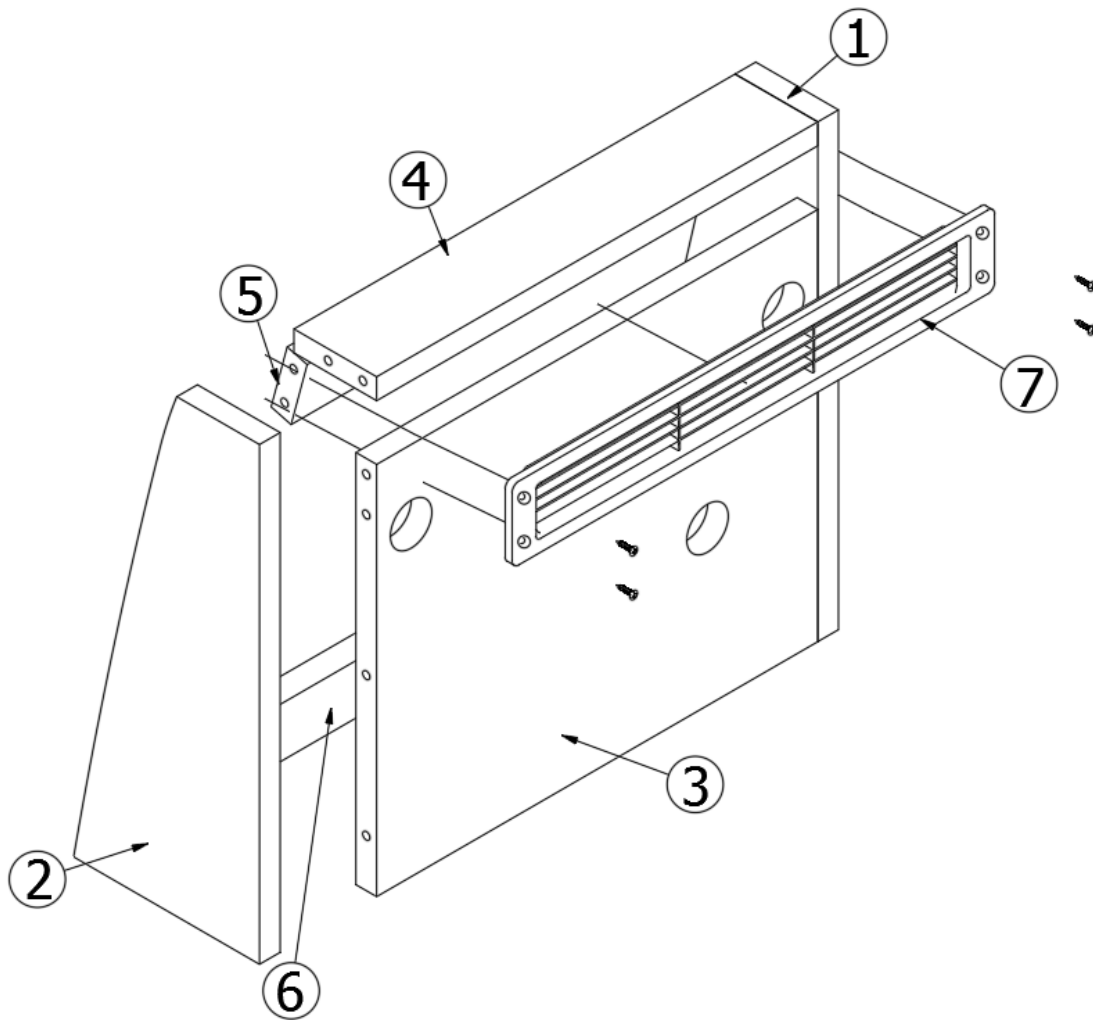
Refrigerator Cabinet Assembly

1. 969099&000112DC	Pre laminate, .5 x 3.38 x 48.88
2. 969099&000412CC	Pre laminate, 2.25 x 29.38
3. 969099&000512CC	Pre laminate, 25.36 x 48.88
4. 969099&000612CC	Pre laminate, 3.63 x 12
5. 969099&000712CC	Pre laminate, 3.63 x 18.56
6. 969099&000812DC	Pre laminate, .5 x 21.25 x 15.13
7. 969099&000912DC	Pre laminate, 2.88 x 21.25
8. 969099&001012DC	Pre laminate, 21.25 x 3.88
9. 969099&001112GG	Pre laminate, 25.36 x 48.88
10. 969099&001218CC	Pre laminate, .75 x 4.13 x 48.88
11. 969099&001318CC	Pre laminate, .75 x 4.13 x 48.88
12. 969099&001412DC	Pre laminate, 2.25 x 18.56
13. 969099&001518CC	Pre laminate, 2.25 x 20.25
14. 969099&001718DC	Pre laminate, .75 x 19.25 x 33
15. 969099&001812DC	Pre laminate, 12 x 18.56
16. 969099&001918DC	Pre laminate, 5.11 x 48.88
17. 969099&002018JC	Pre laminate, .75 x 24.63 x 29
18. 801706-0029	Trim-Corner 90 Deg 1" Rad Wht Cypress
19. 116079-01	Extrusion, Corner Nosing
20. 114812	Alum. Angle 1" x 1 "x 12"
21. 969099&003312CC	Pre laminate 2.25 x 20.25
22. 969099&003412CC	Pre laminate-4.13 x 18.56
23. 203664	Grill Screen - Plastic 48x96.00
24. 114811	Alum. Angle .50 x .50
25. 968221	Ass'y Stand Power Center
26. 968986	Refer Stand Assy - CVL/BAM
27. 203445-01	T-Molding - .5625" White
365385-02	Edgebanding-White Cypress 15/16"
365491-02	Edgebanding - 15/16 - 2mm Linen
380041	Brace 1" Stanley Corner
381228-02	Catch Grabber Door C3-805 5#
381607-12	Baseplate-Grass 9.5 x 37/32
381607-11	Hinge-Self Close Overlay 110D
382044	Handle Brushed Nickel



# 2022 BAMBI FURNITURE, GALLEY

## Flat Screen TV Support, 20'



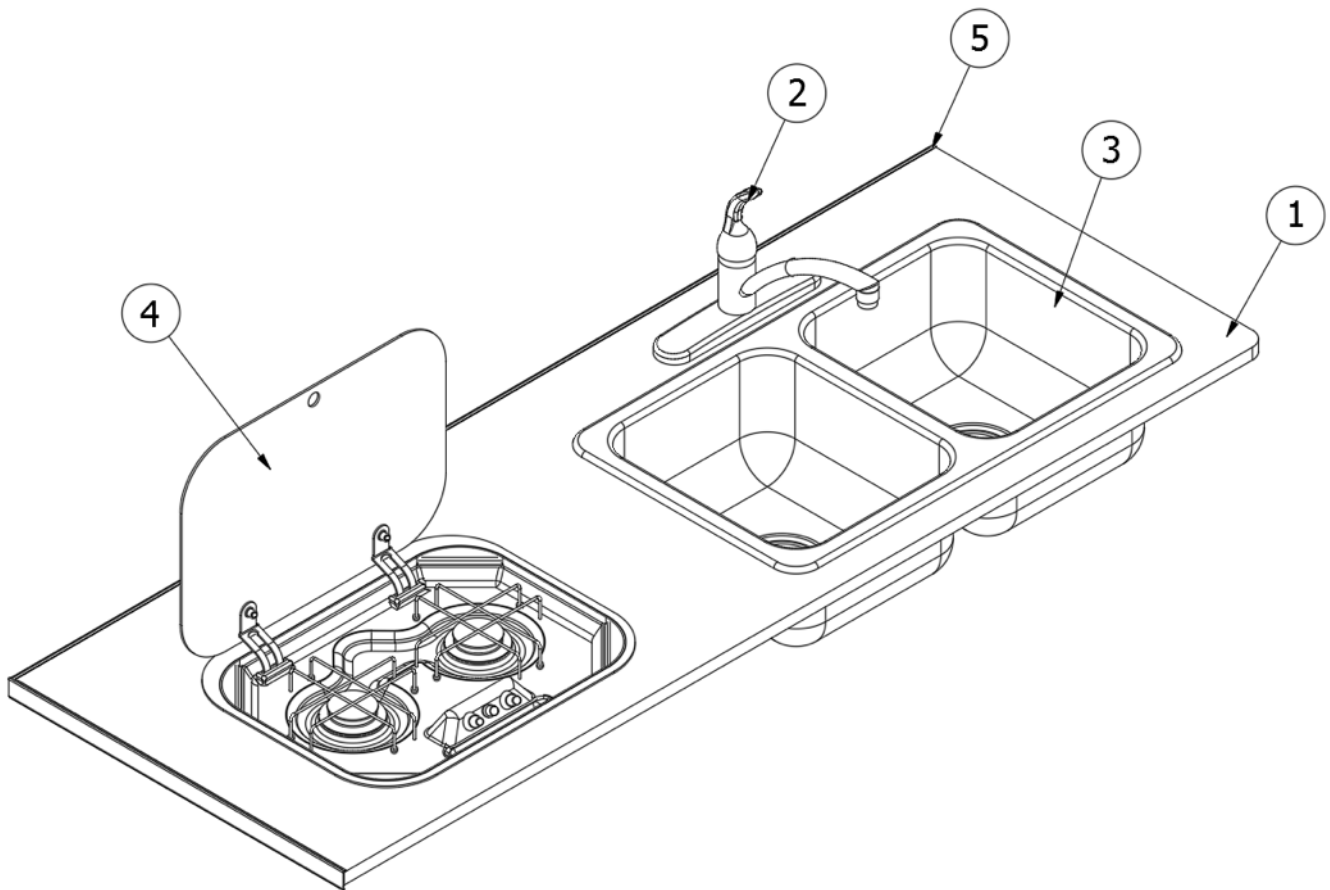
969097

Flat Screen TV Support

- |                    |                                 |
|--------------------|---------------------------------|
| 1. 969097&000112DC | Pre laminate, .5 x 6.13 x 16.31 |
| 2. 969097&000212DC | Pre laminate, .5 x 6.13 x 16.31 |
| 3. 969097&000318DC | Pre laminate, 16 x 13.56        |
| 4. 969097&000418DC | Pre laminate, 16 x 3            |
| 5. 969097&000518DC | Pre laminate, 16 x 2.25         |
| 6. 969097&000618DC | Pre laminate, 16 x 2.25         |
| 7. 386206          | Louvered Vent                   |
| 365386-02          | Edgebanding-White Linen .94"    |
| 381209             | Grommet and Cap, Putty 1.5"     |

# 2022 BAMBI FURNITURE, GALLEY

## Galley Top, 22'



113001

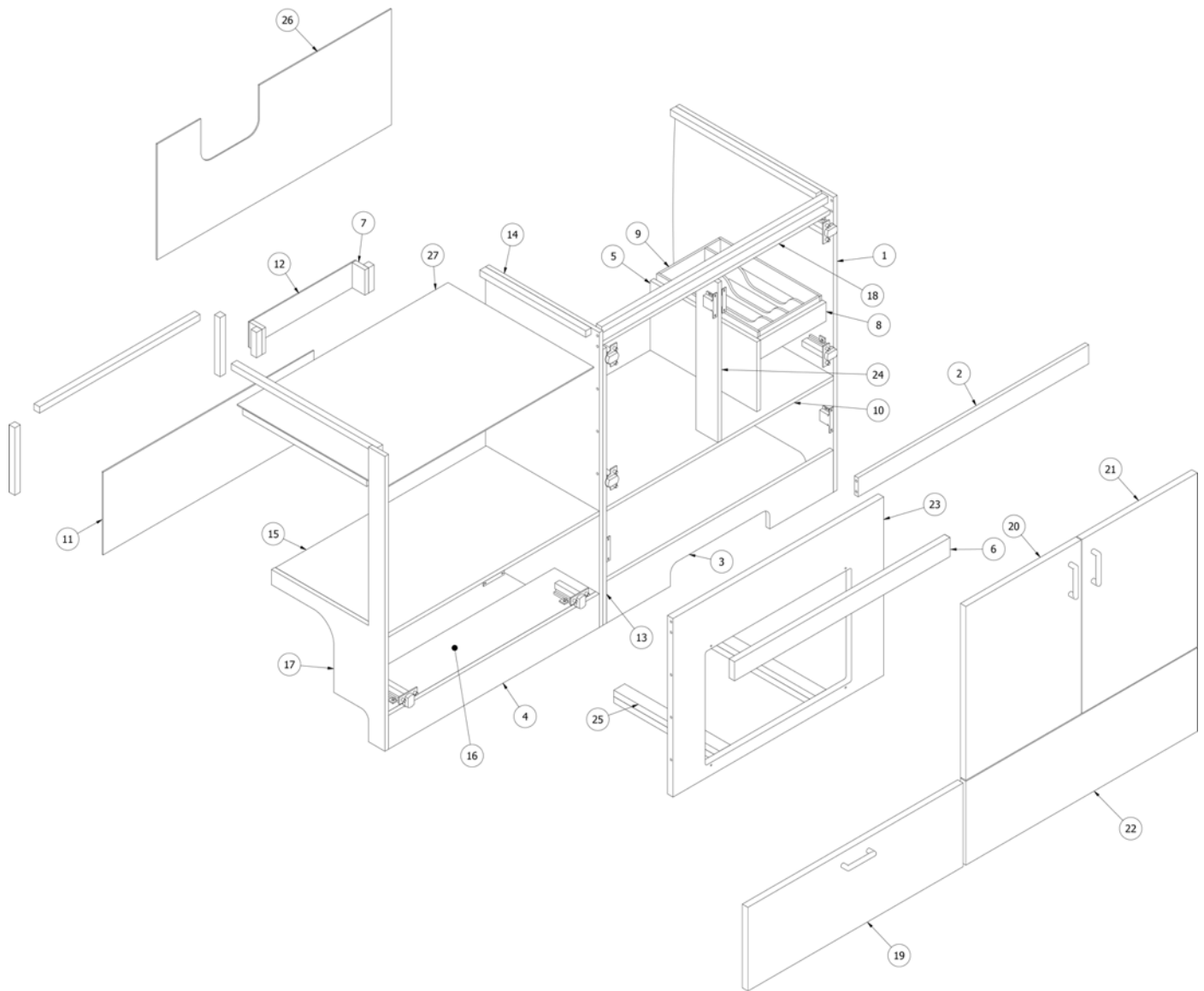
Galley Top Install

1. 969001-02
2. 602243
3. 602172
4. 690784

Galley Top Assy - 22' Bambi  
Galley faucet, Chateau, Moen, Bambi  
Sink SS 27 x 16, Bambi  
Cooktop, Two Burner, Suburban

# 2022 BAMBI FURNITURE, GALLEY

## Galley Cabinet, 22'



Parts Listed on Next Page

## 2022 BAMBI FURNITURE, GALLEY

### Galley Cabinet, 22'

968997

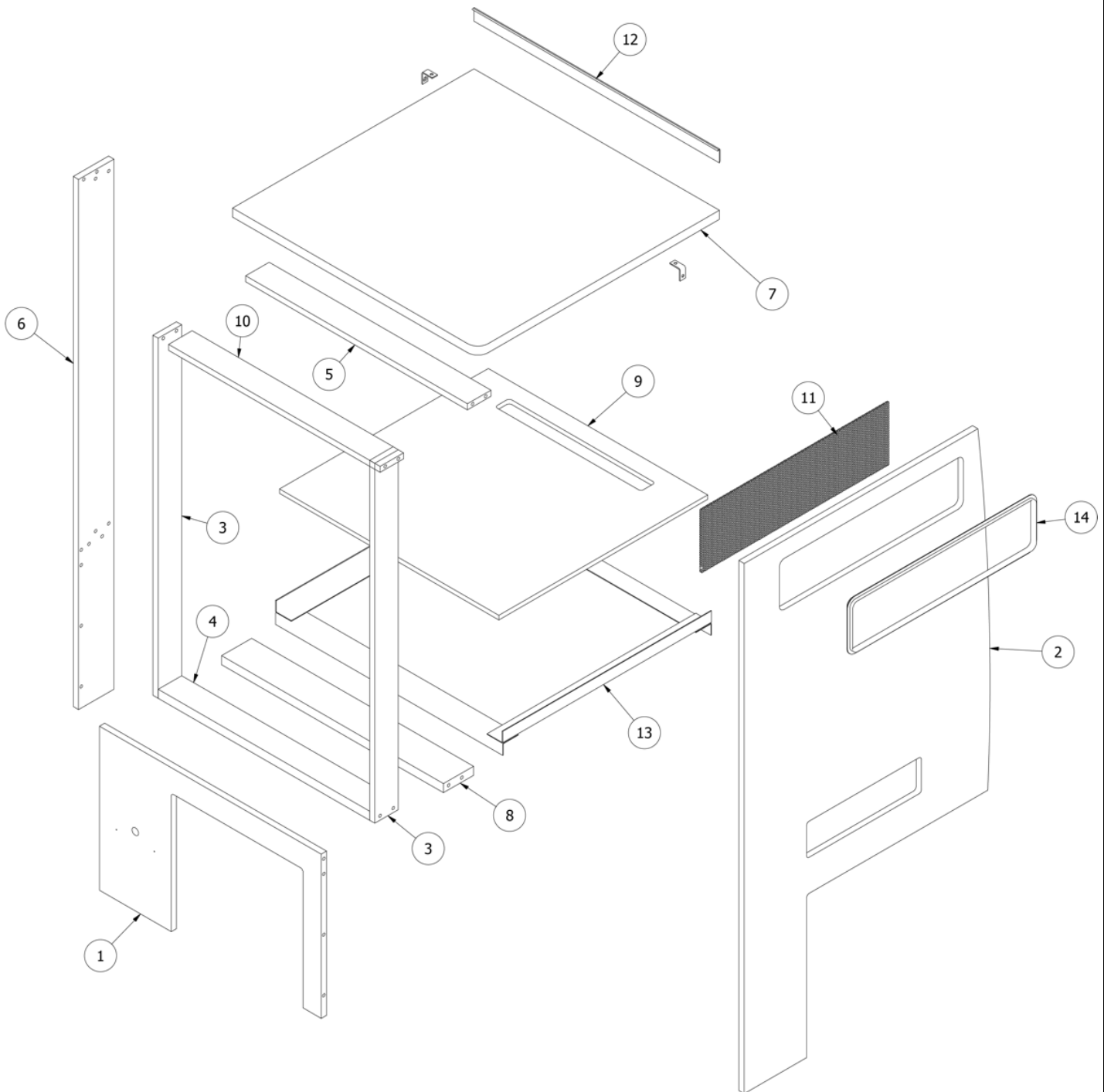
1. 968997&000112DC
2. 968997&000212DC
3. 968997&000312DC
4. 968997&000412DC
5. 968997&005212CC
6. 968997&000612DC
7. 968997&000712DC
8. 968997&000812CC
9. 968997&000912CC
10. 968997&001012CC
11. 968997&003503CE
12. 968997&003603CE
13. 968997&001312CC
14. 968997&001412CC
15. 968997&001512CC
16. 968997&001612CC
17. 968997&001712CC
18. 968997&001812CC
19. 968997&002518DC
20. 968997&002618DC
21. 968997&002718DC
22. 968997&002918DC
23. 968997&003118DC
24. 968997&003212CC
25. 968997&003318BC
26. 968997&003403CE
27. 800507-01
- 968024
- 365386-01
- 365386-02
- 382044
- 203138-03

### Galley Cabinet Assembly

- Pre laminate, 22 x 35  
Pre laminate, 2.25 x 31.6  
Pre laminate, 5 x 21.33  
Pre laminate, 4 x 28.9  
Pre laminate, .5 x 8.25 x 14.62  
Pre laminate, 29.55 x 2.25  
Pre laminate, .5 x 3 x 1.75  
Pre laminate, 2.25 x 15.21  
Pre laminate, 14.12 x 15.21  
Pre laminate, 15.62 x 31.6  
Pre laminate, .13 x 28.9 x 9.81  
Pre laminate, .13 x 3 x 14.63  
Pre laminate, .5 x 2.25 x 28.75  
Pre laminate, .5 x 15.62 x 35  
Pre laminate, 15.5 x 28.9  
Pre laminate, 5.63 x 28.9  
Pre laminate, .5 x 15.55 x 35  
Pre laminate, 2.25 x 31.6  
Pre laminate, .75 x 29.52 x 9.94  
Pre laminate, .75 x 15.8 x 20.63  
Pre laminate, .75 x 15.8 x 20.63  
Pre laminate, .75 x 21.83 x 9.94  
Pre laminate, .75 x 28.9 x 21.19  
Pre laminate, 15.62 x 18.94  
Pre laminate, .75 x 1.5 x 14.5  
Pre laminate, .13 x 32.1 x 23.5  
Lauan, .13 x 28.9 x 20  
Insert- Cutlery Drawer  
Edgebanding-Linen .63"  
Edgebanding-White Linen .94"  
Handle Brushed Nickel  
Extrusion Plastic 1/2" Wall Beige

# 2022 BAMBI FURNITURE, GALLEY

## Refrigerator Cabinet, 22'



Parts Listed on Next Page

## 2022 BAMBI FURNITURE, GALLEY

### Refrigerator Cabinet, 22'

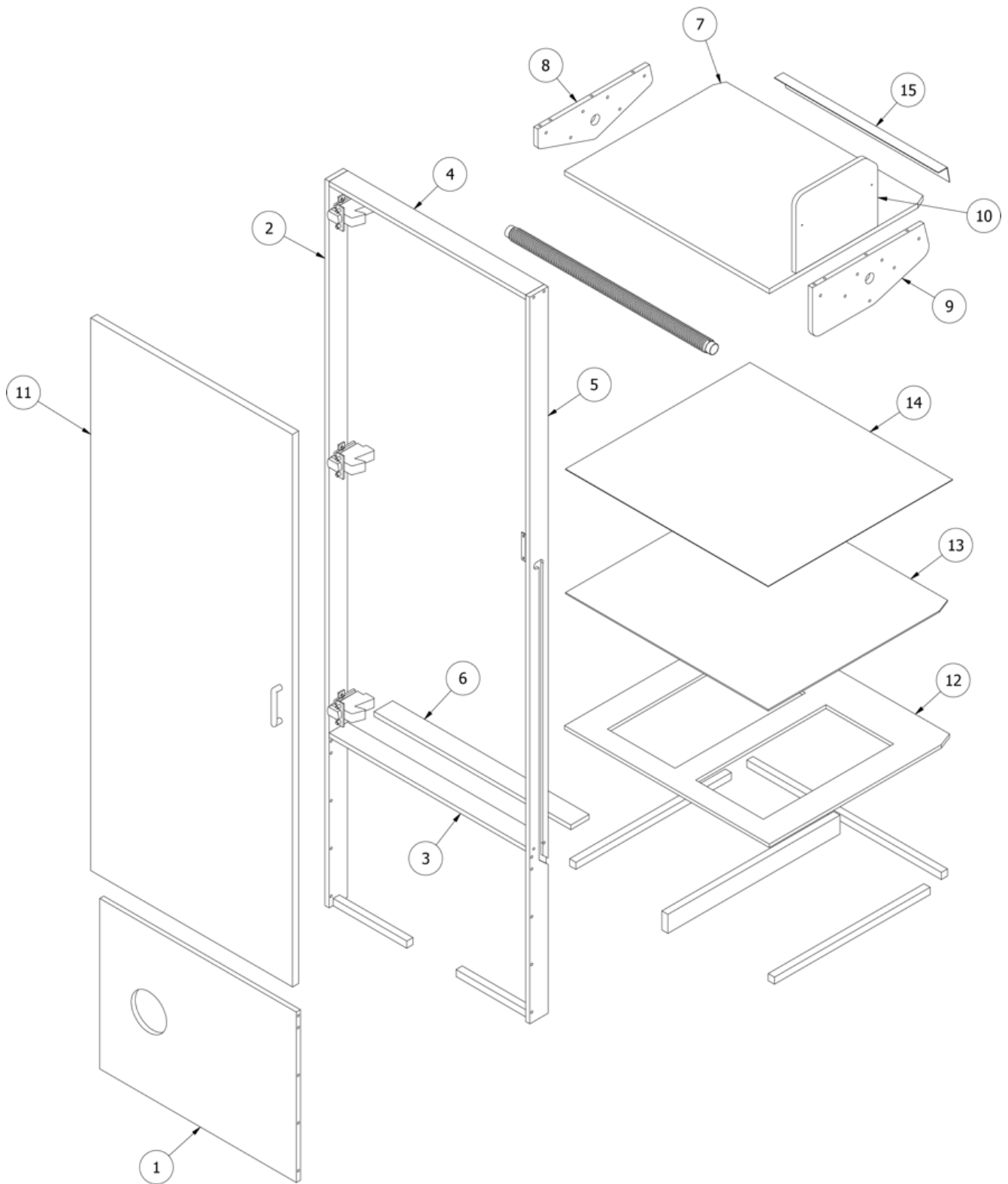
968958

Refrigerator Cabinet Assembly

- |                     |                                  |
|---------------------|----------------------------------|
| 1. 968958&000112DC  | Pre laminate, 20.25 x 14.63      |
| 2. 968958&000212GG  | Pre laminate, 23.55 x 44         |
| 3. 968958&000312CC  | Pre laminate, 2.25 x 44          |
| 4. 968958&000418BC  | Pre laminate, 2.25 x 20.25       |
| 5. 968958&000512DC  | Pre laminate, 2.25 x 21.25       |
| 6. 968958&000612DC  | Pre laminate, 3.38 x 44          |
| 7. 968958&000718JC  | Pre laminate, .75 x 21.88 x 22.5 |
| 8. 968958&000818DC  | Pre laminate, .75 x 2.88 x 21.25 |
| 9. 800507-03        | Lauan, .38 x 21 x 21.06          |
| 10. 968958&001612CC | Pre laminate, 2.25 x 20.25       |
| 11. 116145-04       | Perforated aluminum sheet        |
| 12. 116079-01       | Aluminum counter molding         |
| 13. 968986-01       | Refrigerator stand assembly      |
| 14. 203445-01       | T-molding, Black                 |
| 380041              | Bracket, 90 deg, 1 x 1           |
| 365386-01           | Edgebanding-Linen .63"           |
| 365491-02           | Edgebanding - 15/16 - 2MM Linen  |
| 365385-01           | Edgebanding-White Cypress 5/8"   |

# 2022 BAMBI FURNITURE, GALLEY

## Storage Cabinet, 22'



Parts Listed on Next Page

## 2022 BAMBI FURNITURE, GALLEY

### Storage Cabinet, 22'

968954

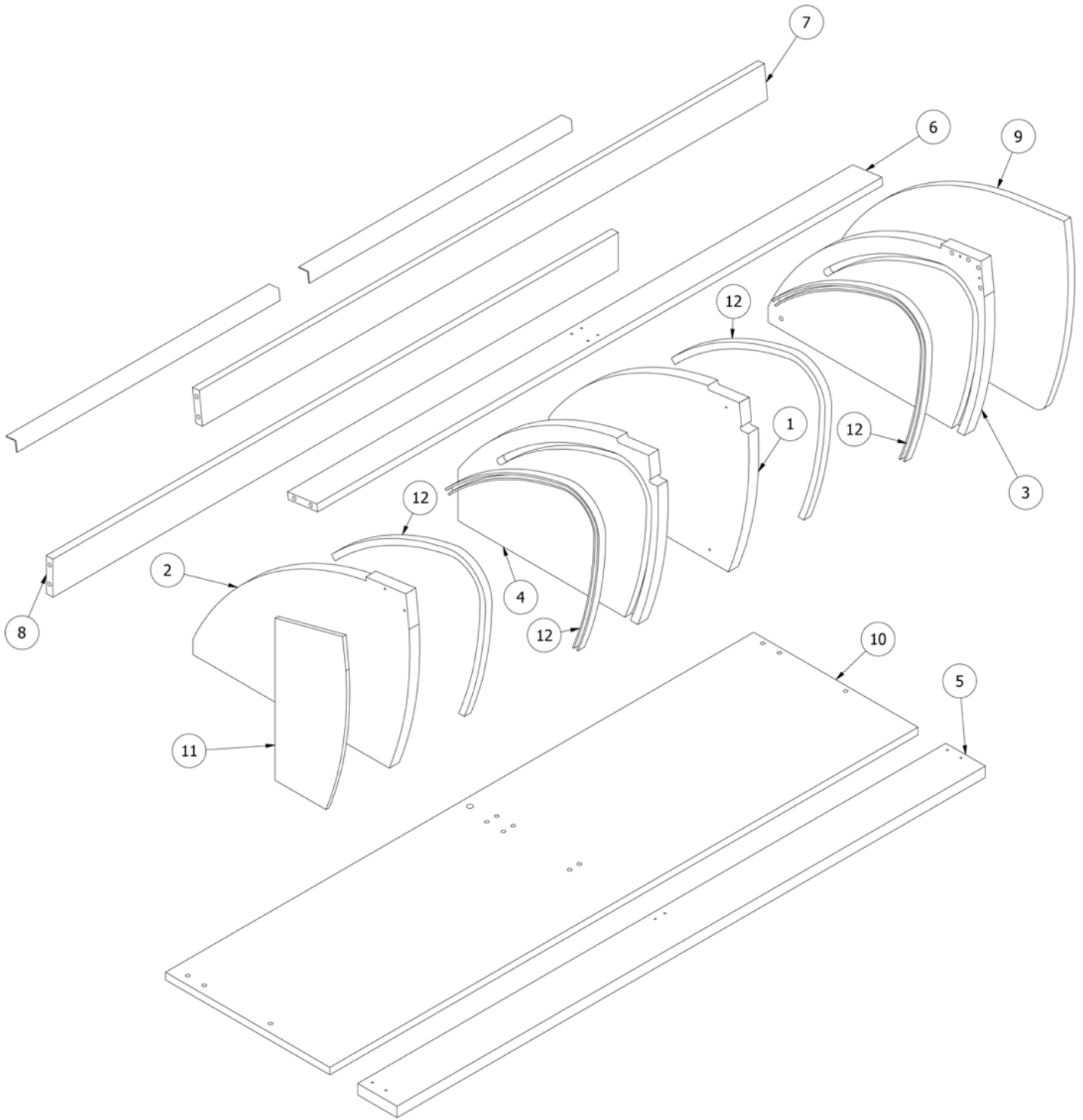
### Storage Cabinet Assembly

1. 968954&000112BC	Pre laminate, 18 x 25.5
2. 968954&000212CC	Pre laminate, 2.25 x 76.75
3. 968954&000312CC	Pre laminate, 2.25 x 25.5
4. 968954&000412CC	Pre laminate, 2.25 x 25.5
5. 968954&000512CC	Pre laminate, 2.25 x 76.75
6. 968954&000612CC	Pre laminate, 2.25 x 25.5
7. 968954&000712CC	Pre laminate, 26.5 x 19.25
8. 968954&000812CC	Pre laminate, .5 x 14 x 4.49
9. 968954&000912CC	Pre laminate, .5 x 14.25 x 5.5
10. 968954&001012CC	Pre laminate, 8 x 10
11. 968954&001118BC	Pre laminate, .75 x 26.13 x 58.36
12. 800507-03	Lauan, .38 x 25 x 22.63
13. 800507-01	Lauan, .13 x 24.75 x 22.5
14. 701538-01	Carpet-Econoline W/Psa Backing
15. 115775	Angle, Formed, 1.25 x 1.75
380045	Clothes rod
200975-04	Conduit, Flexible Black plastic
382044	Handle Brushed Nickel
381228	Catch Grabber Door C3-810
381607-11	Hinge-Self Close Overlay 110D
381607-12	Baseplate-Grass 9.5x37/32



# 2022 BAMBI FURNITURE, GALLEY

## Galley Roof Locker, 16'



Parts Listed on Next Page

## 2022 BAMBI FURNITURE, GALLEY

### Galley Roof Locker, 16'

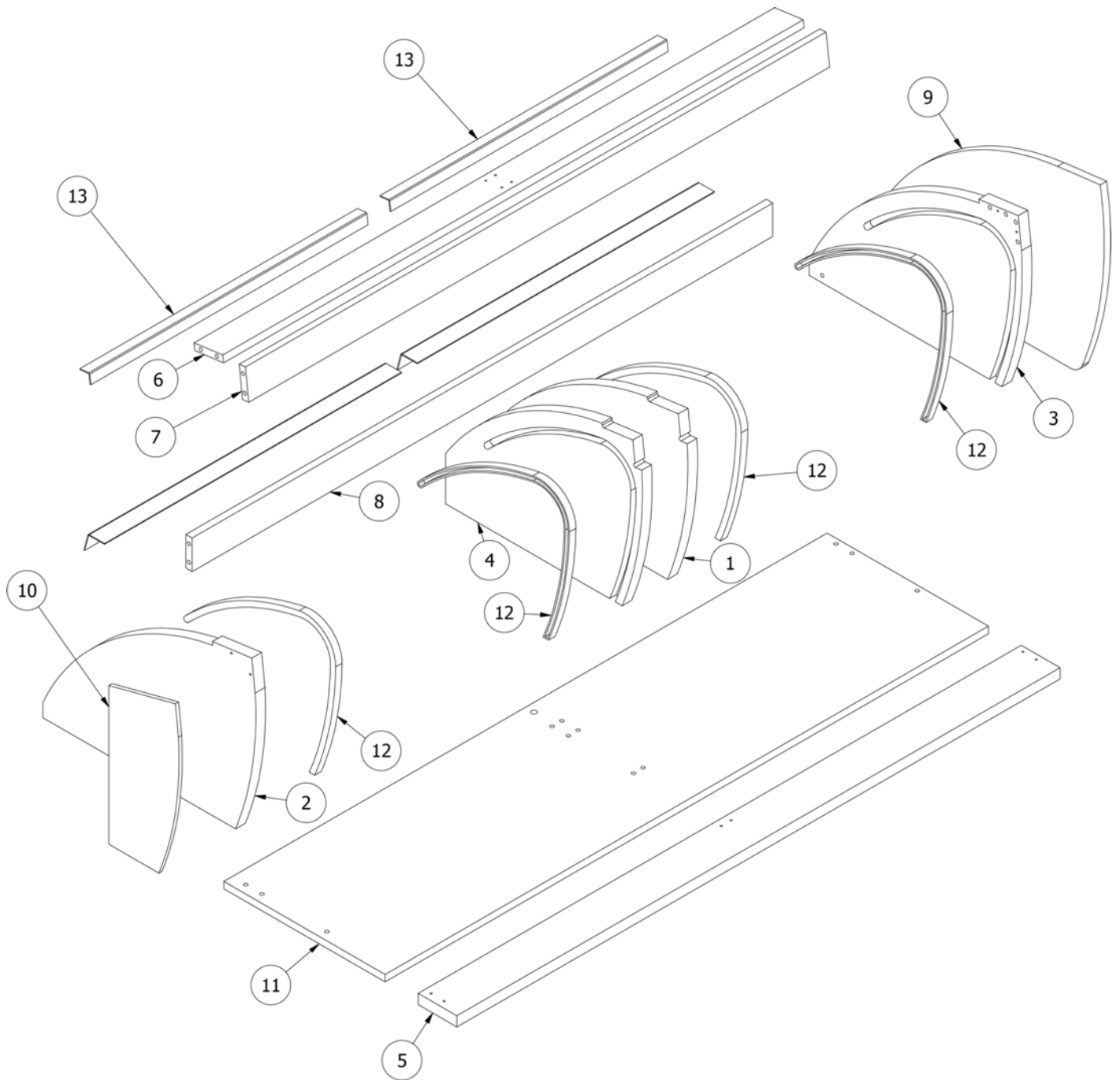
968966

#### Galley Locker Assembly

- |                     |                                    |
|---------------------|------------------------------------|
| 1. 968966&000118MC  | Pre laminate, .75 x 9.75 x 16.5    |
| 2. 968966&000218MC  | Pre laminate, .75 x 10.25 x 19     |
| 3. 968966&000318MC  | Pre laminate, .75 x 10.25 x 19     |
| 4. 968966&000418MC  | Pre laminate, .75 x 9.75 x 16.5    |
| 5. 968966&000518DD  | Pre laminate, .75 x 3 x 44.5       |
| 6. 968966&000612MC  | Pre laminate, .50 x 2.25 x 43      |
| 7. 968966&000712MC  | Pre laminate, .50 x 2.25 x 45      |
| 8. 968966&000812MC  | Pre laminate, .50 x 2.25 x 43      |
| 9. 968966&000912DD  | Pre laminate, .50 x 11.5 x 22      |
| 10. 968966&001112DD | Pre laminate, 44.5 x 12.5          |
| 11. 968966&001906DD | Pre laminate, .25 x 12.25 x 5.5    |
| 12. 203748          | Track, Tambour, Flexible           |
| 13. 967104-12       | Tambour door assembly              |
| 115483              | Angle, Aluminum, .75" x .75" x 20" |
| 365386-02           | Edgebanding-White Linen .94"       |
| 365386-01           | Edgebanding-Linen .63"             |

# 2022 BAMBI FURNITURE, GALLEY

## Roof Locker, Galley, 19'



Parts Listed on Next Page

## 2022 BAMBI FURNITURE, GALLEY

### Roof Locker, Galley, 19'

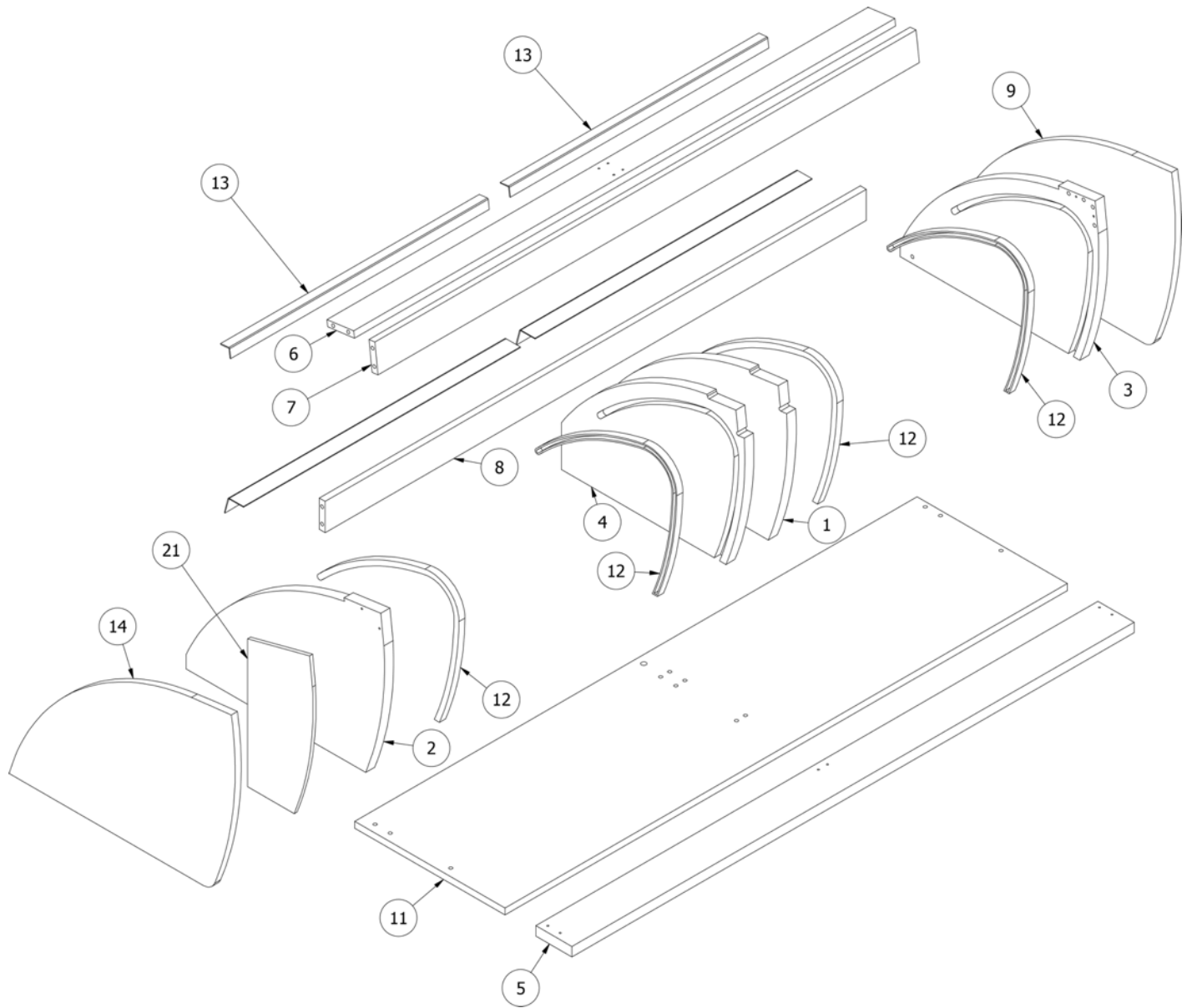
969092

Galley Roof Locker Assembly

1. 969092&000118MC	Pre laminate, .75 x 13 x 19
2. 969092&000218MC	Pre laminate, .75 x 13 x 19
3. 969092&000318MC	Pre laminate, .75 x 13 x 19
4. 969092&000418MC	Pre laminate, .75 x 13 x 19
5. 969092&000518DD	Pre laminate, .75 x 3 x 46.75
6. 969092&000612DD	Pre laminate, .5 x 2.25 x 45
7. 969092&000712DD	Pre laminate, .5 x 2.25 x 45
8. 969092&000812DD	Pre laminate, .5 x 2.25 x 45
9. 969092&000912DD	Pre laminate, .5 x 21 x 20
10. 800507-02	Lauan .25 x 12.5 x 5.5
11. 969092&001112DD	Pre laminate, 46.75 x 12.5
12. 203748	Track-Tambour 98"
13. 115483	Angle-Alum .06 x .75" x .75" x 6'
967104-10	Door, Tambour 13.50 x 28.625
365386-01	Edgebanding-Linen .63"
365386-02	Edgebanding-White Linen .94"
365386-03	Edgebanding 1MM - Linen

# 2022 BAMBI FURNITURE, GALLEY

## Roof Locker, Galley, 20'



Parts Listed on Next Page

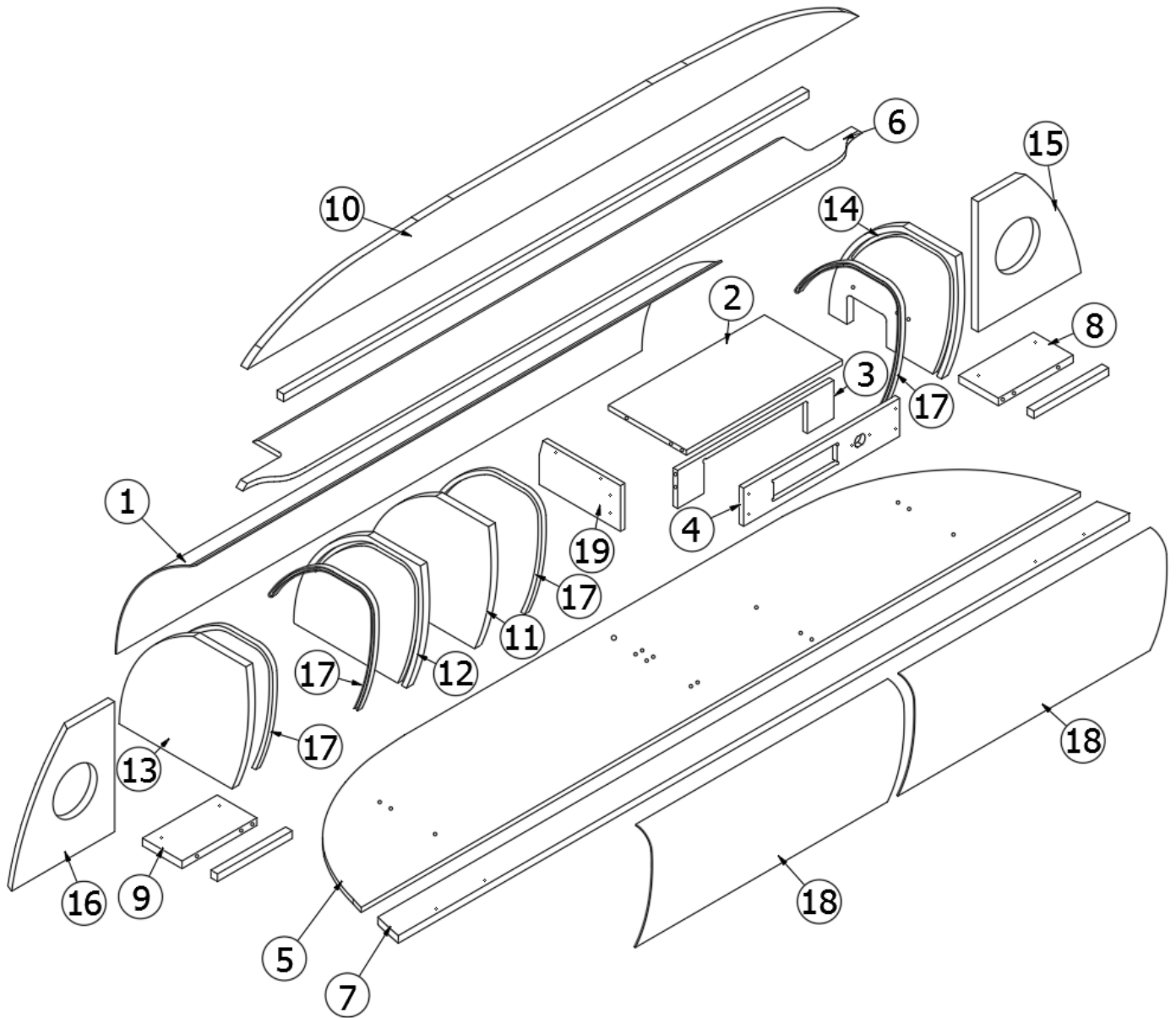
## 2022 BAMBI FURNITURE, GALLEY

### Roof Locker, Galley, 20'

969092-01	Galley Roof Locker Assembly
1. 969092&000118MC	Pre laminate, .75 x 13 x 19
2. 969092&000218MC	Pre laminate, .75 x 13 x 19
3. 969092&000318MC	Pre laminate, .75 x 13 x 19
4. 969092&000418MC	Pre laminate, .75 x 13 x 19
5. 969092&000518DD	Pre laminate, .75 x 3 x 46.75
6. 969092&000612DD	Pre laminate, .5 x 2.25 x 45
7. 969092&000712DD	Pre laminate, .5 x 2.25 x 45
8. 969092&000812DD	Pre laminate, .5 x 2.25 x 45
9. 969092&000912DD	Pre laminate, .5 x 21 x 20
10. 800507-02	Lauan, .25 x 12.5 x 5.5
11. 969092&001112DD	Pre laminate, 46.75 x 12.5
12. 203748	Track-Tambour
13. 115483	Angle-Alum .06 x .75" x .75" x6'
14. 969092&002012DD	Pre laminate, 21 x 20
967104-10	Door, Tambour 13.50 x 28.625
365386-01	Edgebanding-Linen .63"
365386-02	Edgebanding-White Linen .94"
365386-03	Edgebanding 1MM - Linen

# 2022 BAMBI FURNITURE, GALLEY

Roof Locker, Dinette, 16'



Parts Listed on Next Page

## 2022 BAMBI FURNITURE, GALLEY

### Roof Locker, Dinette, 16'

969114

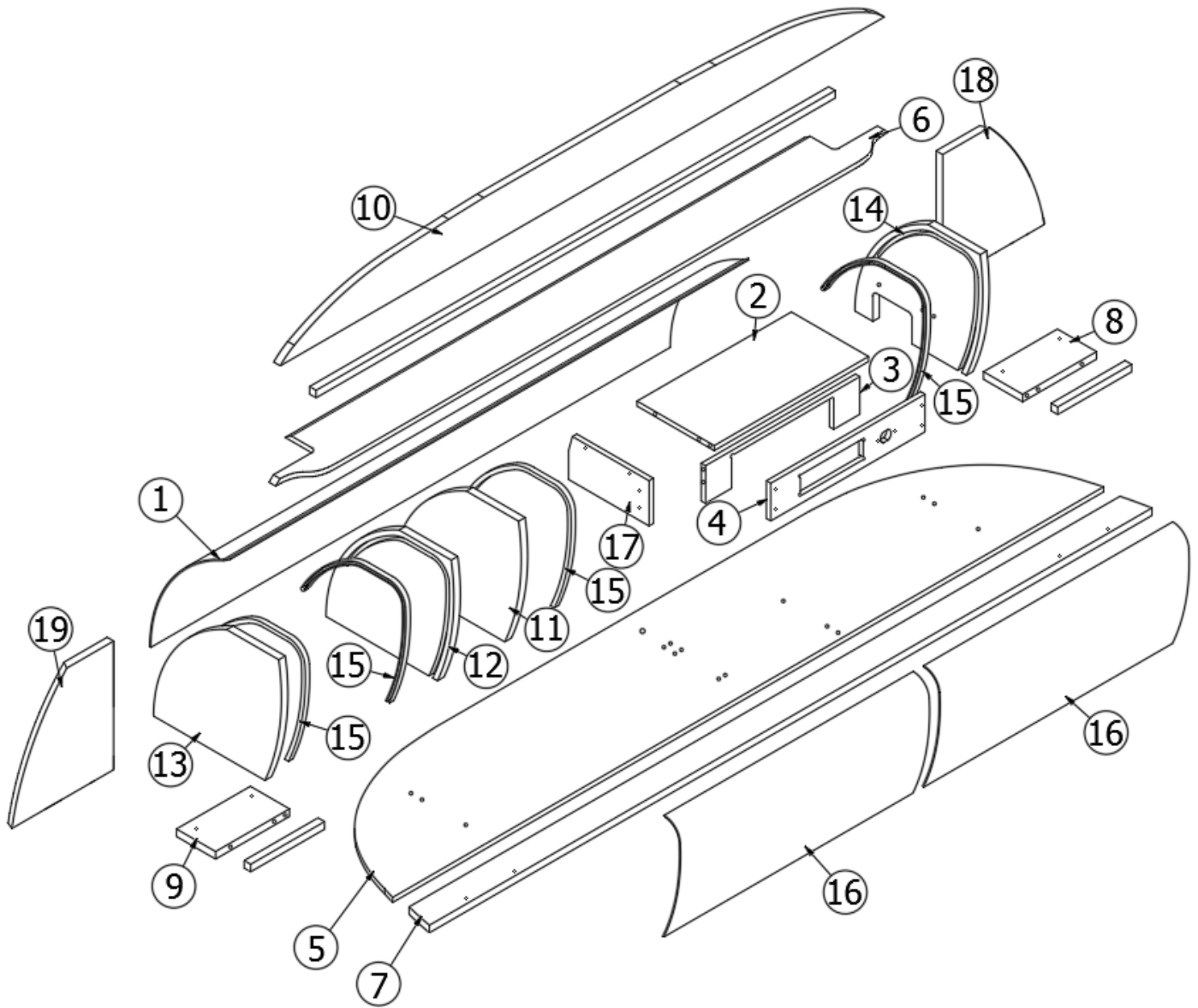
### Front Locker Assembly

- |                     |                                  |
|---------------------|----------------------------------|
| 1. 969114&000103CE  | Pre laminate, .12 x 17.5 x 59.75 |
| 2. 969114&000212DD  | Pre laminate, 8.88 x 17.75       |
| 3. 969114&000312DD  | Pre laminate, 3.75 x 17.75       |
| 4. 969114&000412DD  | Pre laminate, .5 x 3.75 x 17.75  |
| 5. 969114&000512DD  | Pre laminate, .5 x 14.5 x 82     |
| 6. 969114&000612DD  | Pre laminate, .5 x 6 x 70.48     |
| 7. 969114&000718DD  | Pre laminate, .75 x 3 x 83.11    |
| 8. 969114&000818MC  | Pre laminate, .75 x 4.5 x 8.5    |
| 9. 969114&000918MC  | Pre laminate, .75 x 4.5 x 8.5    |
| 10. 969114&001018MC | Pre laminate, .75 x 5.04 x 69.61 |
| 11. 969114&001118MC | Pre laminate, .75 x 15 x 14      |
| 12. 969114&001218MC | Pre laminate, .75 x 15 x 14      |
| 13. 969114&001318MC | Pre laminate, .75 x 15 x 14      |
| 14. 969114&001418MC | Pre laminate, .75 x 15 x 14      |
| 15. 969114&001518MC | Pre laminate, 11.71 x 12.81      |
| 16. 969114&001618MC | Pre laminate, 11.71 x 12.81      |
| 17. 203748          | Track, Tambour 98"               |
| 18. 967104-09       | Door, Tambour 13.5 x 28.75       |
| 19. 969114&002512DD | Pre laminate, .5 x 4.5 x 9.25    |
| 365386-01           | Edgebanding-Linen .63"           |
| 365386-02           | Edgebanding-White Linen .94"     |
| 201673              | Cove Molding, Ivory, Plastic     |
| 381209-01           | Grommet w/cap, Black, 1.5"       |



# 2022 BAMBI FURNITURE, GALLEY

Roof Locker, Dinette, 19'



Parts Listed on Next Page

## 2022 BAMBI FURNITURE, GALLEY

### Roof Locker, Dinette, 19'

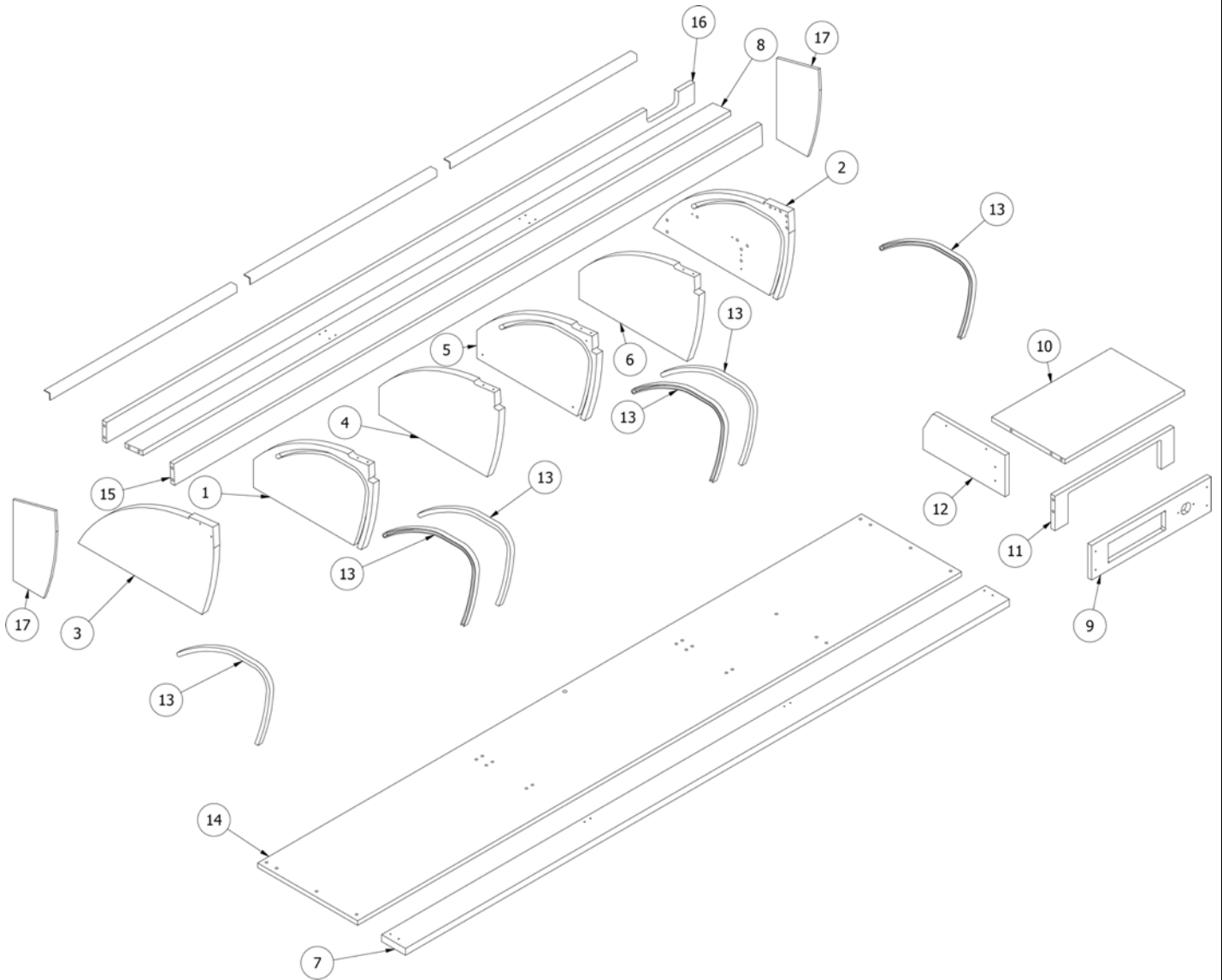
969114-01

Front Locker Assembly

1. 969114&010103CE Pre laminate, .12 x 17.5 x 59.75
  2. 969114&010212DD Pre laminate, 8.88 x 17.75
  3. 969114&010312DD Pre laminate, 3.75 x 17.75
  4. 969114&010412DD Pre laminate, .5 x 3.75 x 17.75
  5. 969114&010512DD Pre laminate, .5 x 14.5 x 82
  6. 969114&010612DD Pre laminate, .5 x 6 x 70.48
  7. 969114&010718DD Pre laminate, .75 x 3 x 83.11
  8. 969114&010818MC Pre laminate, .75 x 4.5 x 8.5
  9. 969114&010918MC Pre laminate, .75 x 4.5 x 8.5
  10. 969114&011018MC Pre laminate, .75 x 5.04 x 69.61
  11. 969114&011118MC Pre laminate, .75 x 15 x 14
  12. 969114&011218MC Pre laminate, .75 x 15 x 14
  13. 969114&011318MC Pre laminate, .75 x 15 x 14
  14. 969114&011418MC Pre laminate, .75 x 15 x 14
  15. 203748 Track Tambour Door, Flexible
  16. 967104-09 Tambour Door
  17. 969114&012512DD Pre laminate, .5 x 4.5 x 9.25
  18. 969114&012718MC Pre laminate, 11.71 x 12.81
  19. 969114&012818MC Pre laminate, 11.71 x 12.81
- 365386-01 Edgebanding-Linen .63"
- 365386-02 Edgebanding-White Linen .94"
- 201673 Cove Molding, Ivory, Plastic
- 381209-01 Grommet w/cap, Black, 1.5"

# 2022 BAMBI FURNITURE, GALLEY

## Roof Locker, Dinette, 20'



Parts Listed on Next Page

## 2022 BAMBI FURNITURE, GALLEY

### Roof Locker, Dinette, 20'

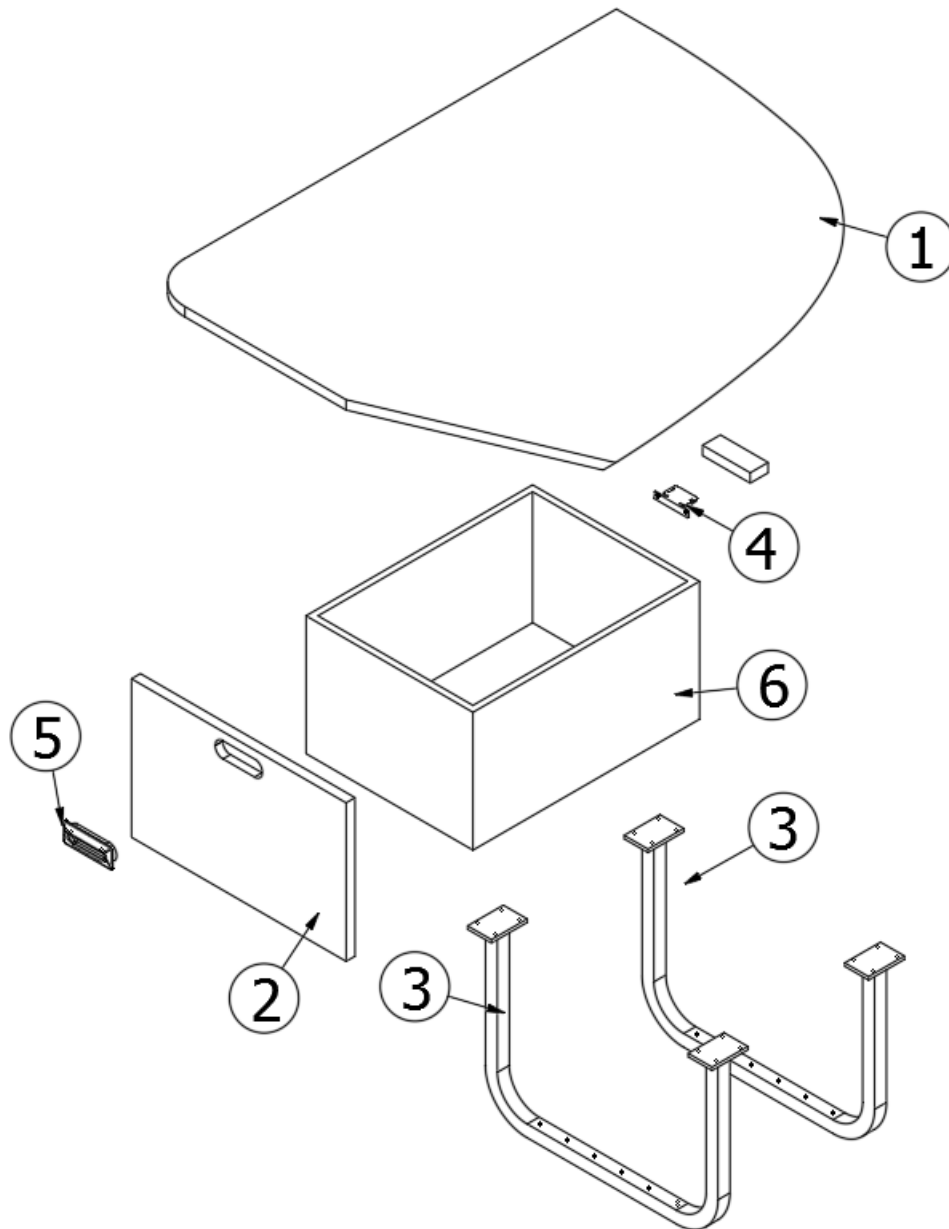
969096

Dinette Roof Locker Assembly

1. 969096&000118MC	Pre laminate, .75 x 9.75 x 16.5
2. 969096&000218MC	Pre laminate, .75 x 10.25 x 19
3. 969096&000318MC	Pre laminate, .75 x 10.25 x 19
4. 969096&000418MC	Pre laminate, .75 x 9.75 x 16.5
5. 969096&000518MC	Pre laminate, .75 x 9.75 x 16.5
6. 969096&000618MC	Pre laminate, .75 x 9.75 x 16.5
7. 969096&000718DD	Pre laminate, 3 x 75.5
8. 969096&000812DD	Pre laminate, 2.25 x 74
9. 969096&000912DD	Pre laminate, 3.75 x 13.75
10. 969096&001012DD	Pre laminate, 7.25 x 23.68
11. 969096&001112DD	Pre laminate, 3.75 x 23.68
12. 969096&002812DD	Pre laminate, .5 x 4.5 x 10.34
13. 203748	Track-Tambour 98"
14. 969096&001412DD	Pre laminate, 12.59 x 76.5
15. 969096&001512DD	Pre laminate, 2.25 x 74
16. 969096&001612DD	Pre laminate, 2.25 x 74
17. 800507-02	Lauan, 10.5 x 5.5
115483	Angle-Alum .06 x .75" x .75" x 6'
967104-11	Door-Tambour 9.88 x 23.75
365386-02	Edgebanding - White Linen .94"
365386-01	Edgebanding - Linen .63"
365386-03	Edgebanding - 1MM - Linen WD427

# 2022 BAMBI FURNITURE, LOUNGE

Dinette Seat, Curbside, 16', 19'



969033

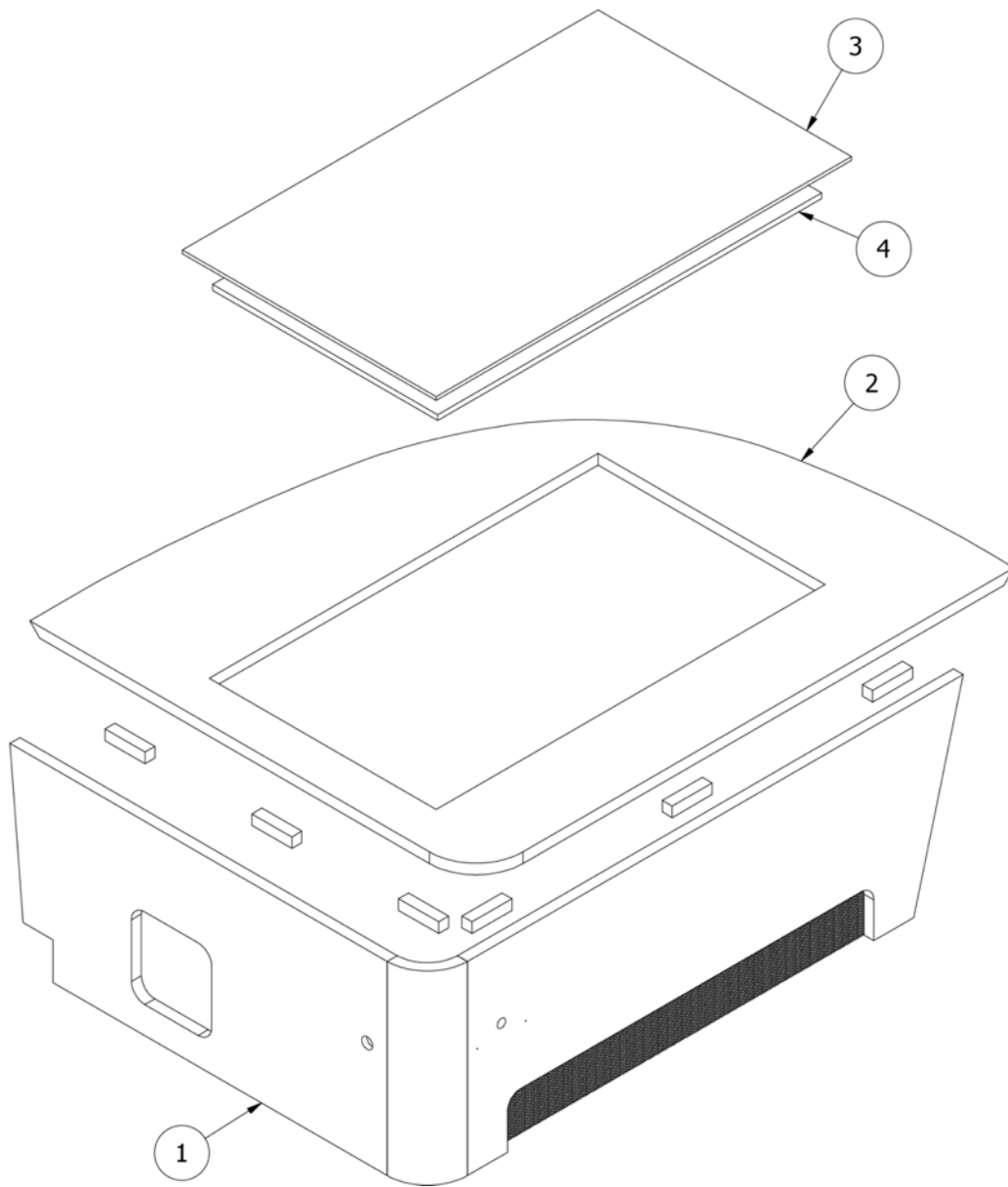
CS Dinette Seat Assembly

- 1. 969033&000118CC
- 2. 969033&000218BC
- 3. 454177
- 4. 381228
- 5. 382437-1
- 6. 964909-11  
381833-01

Panel, 39.68 x 32.88  
Panel, 18.00 x 11.50  
Leg-Dinette Aluminum  
Catch Grabber Door C3-810  
Pull-Recessed Finger-Pol. Nickel  
Drawer box assembly, 10"  
Drawer slide, Under shelf, 18"

# 2022 BAMBI FURNITURE, LOUNGE

## Dinette Seat, Roadside, 16'



968940

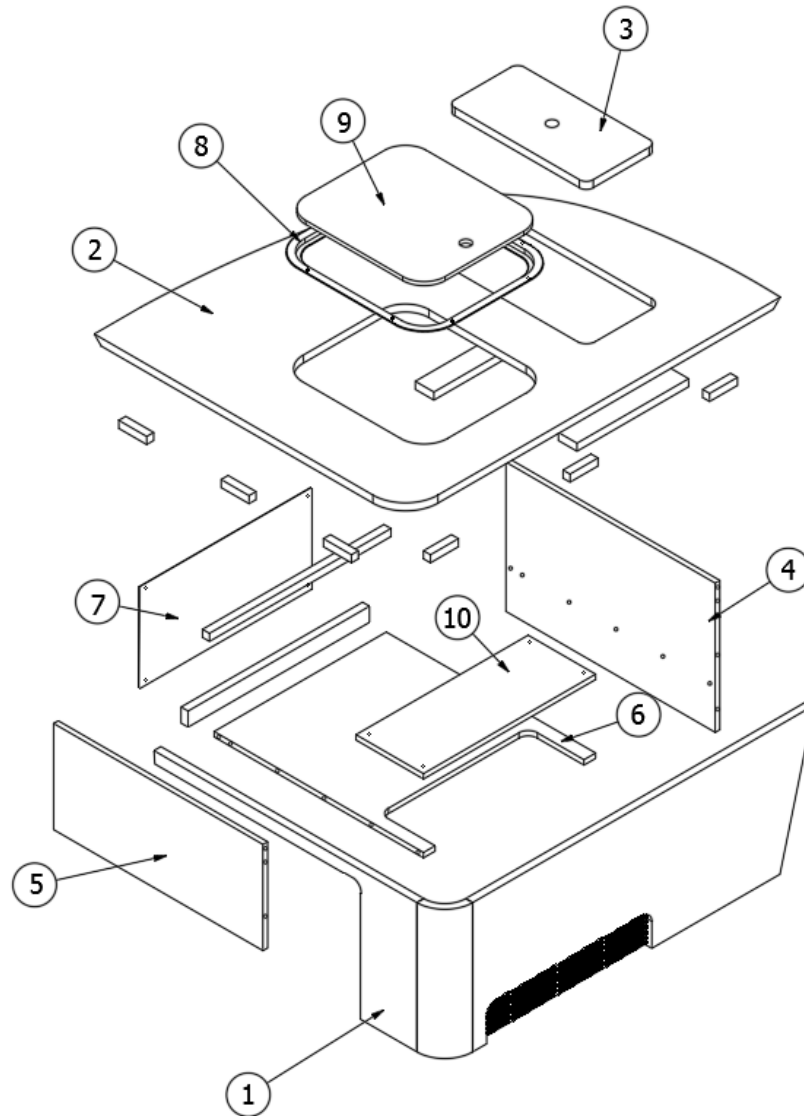
RS Dinette Seat Assembly

- 1. 968939
- 2. 968940&000218CC
- 3. 968940&000306DD
- 4. 800507-03  
365385-02  
701538-01

Sub Assembly, RS Dinette Base  
Pre laminate, .75 x 33.44 x 40.29  
Pre laminate, .25 x 19 x 31.13  
Luan, .38 x 16.88 x 28.75  
Edgebanding - White Cypress 15/16"  
Trunk liner

# 2022 BAMBI FURNITURE, LOUNGE

## Dinette Seat, Roadside, 19'



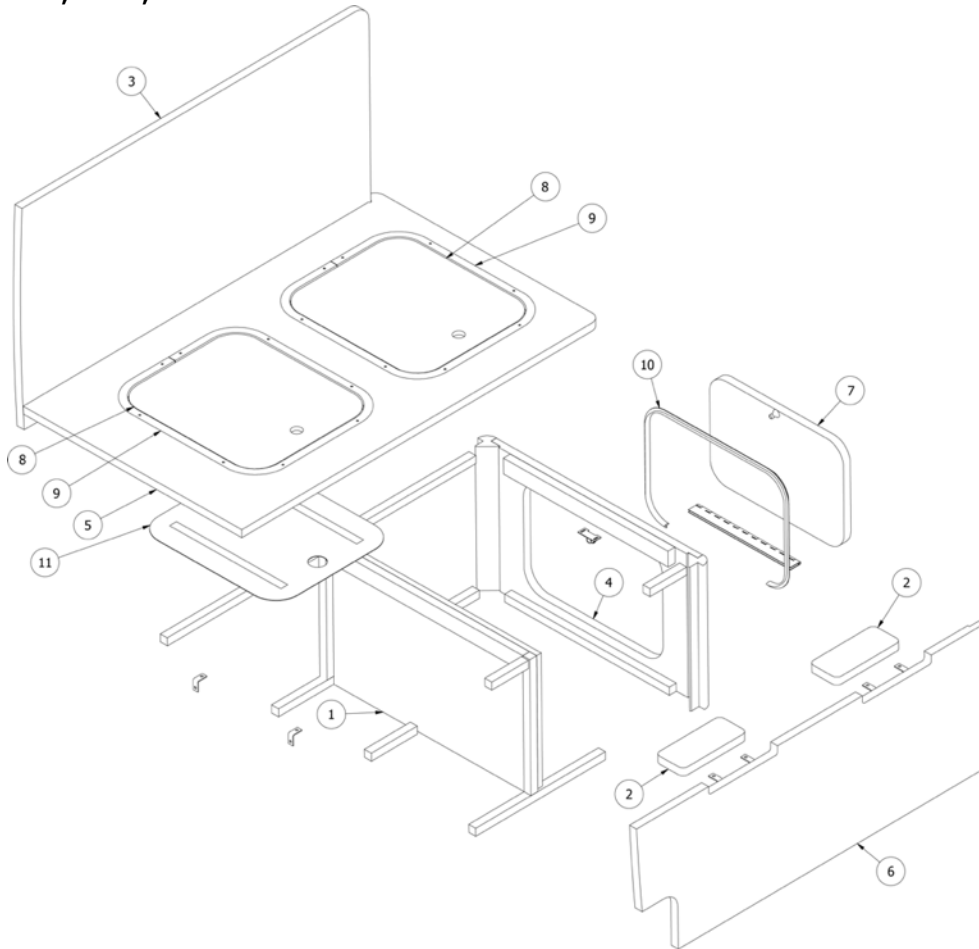
969125

RS Dinette Seat Assembly

- |                                  |  |
|----------------------------------|--|
| 1. 969126                        | Sub Ass'y - Dinette Base RS  |
| 2. 969125&000218CC               | Pre laminate, .75 x 33.44 x 40.29                                    |
| 3. 969125&000318CC               | Pre laminate, .75 x 16 x 8   |
| 4. 969125&000412CC               | Pre laminate, 13.88 x 22.5   |
| 5. 969125&000512CC               | Pre laminate, 9.88 x 22.5  |
| 6. 969125&000612CC               | Pre laminate, 22.5 x 18.5  |
| 7. 969125&001003CE               | Pre laminate, .13 x 9.38 x 18.5                                      |
| 8. 115812                        | Trim ring, Dinette seat  |
| 9. 800507-03                     | Lauan, 15 x 13   |
| 10. 969125&001812CC<br>365385-02 | Pre laminate, .5 x 7.25 x 18.5<br>Edgebanding - White Cypress 15/16" |

# 2022 BAMBI FURNITURE, LOUNGE

## Dinette Seat, RH, 20'



969090

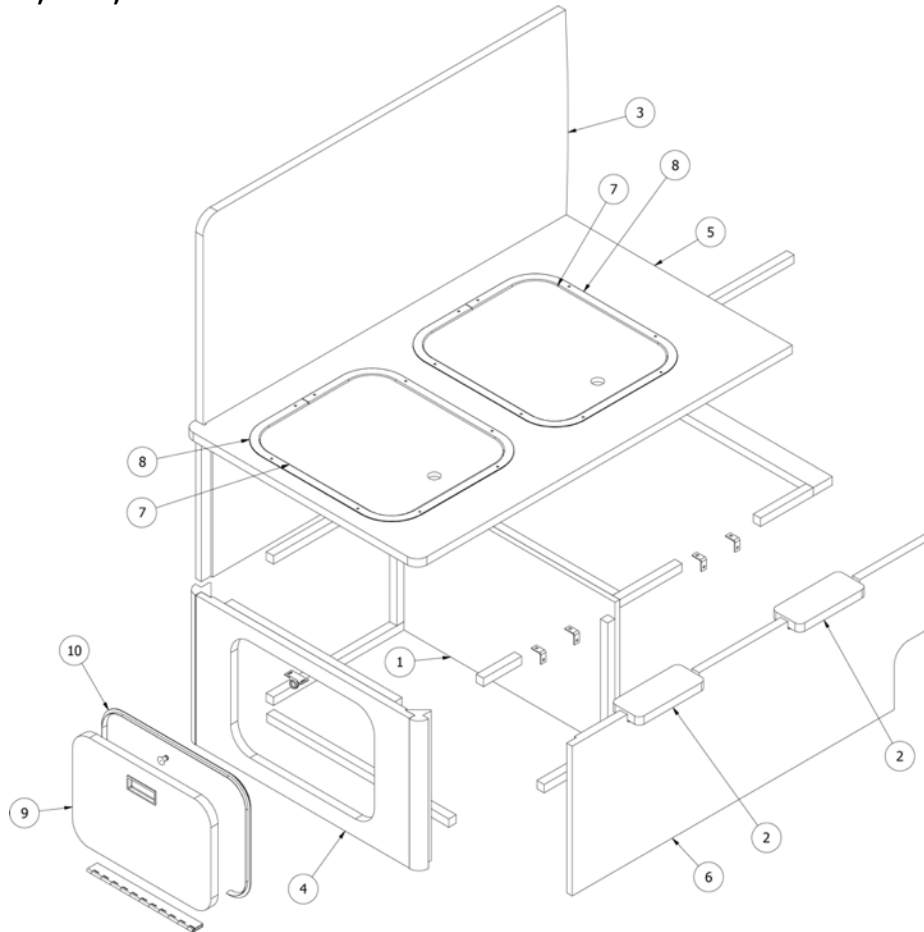
RH Dinette Seat Assembly

- |                    |                                       |
|--------------------|---------------------------------------|
| 1. 969090&000112CC | Pre laminate, .5 x 22.75 x 13.5       |
| 2. 969090&000218BB | Pre laminate, .75 x 3 x 7             |
| 3. 969090&000318BB | Pre laminate, 38.07 x 32.75           |
| 4. 969090&000418BC | Pre laminate, .75 x 22.25 x 13.5      |
| 5. 969090&000518BC | Pre laminate, .75 x 39.13 x 24.38     |
| 6. 969090&000618BC | Pre laminate, 37.86 x 13.5            |
| 7. 969090&001918BC | Pre laminate, .75 x 14.42 x 9.92      |
| 8. 800507-03       | Lauan, 13 x 15                        |
| 9. 115812          | Trim ring, Dinette seat               |
| 10. 203597         | T-molding, Black                      |
| 11. 116331         | Aluminum access door cover            |
| 801415-0029        | Corner Trim, 1" Radius, White Cypress |
| 365385-02          | Edgebanding-White Cypress 15/16"      |
| 380203-01          | Piano hinge, 2" open                  |
| 382437-1           | Pull, Recessed finger                 |
| 381074             | Catch, Bulldog                        |
| 380041             | Brace 1" Stanley Corner               |



# 2022 BAMBI FURNITURE, LOUNGE

## Dinette Seat, LH, 20'



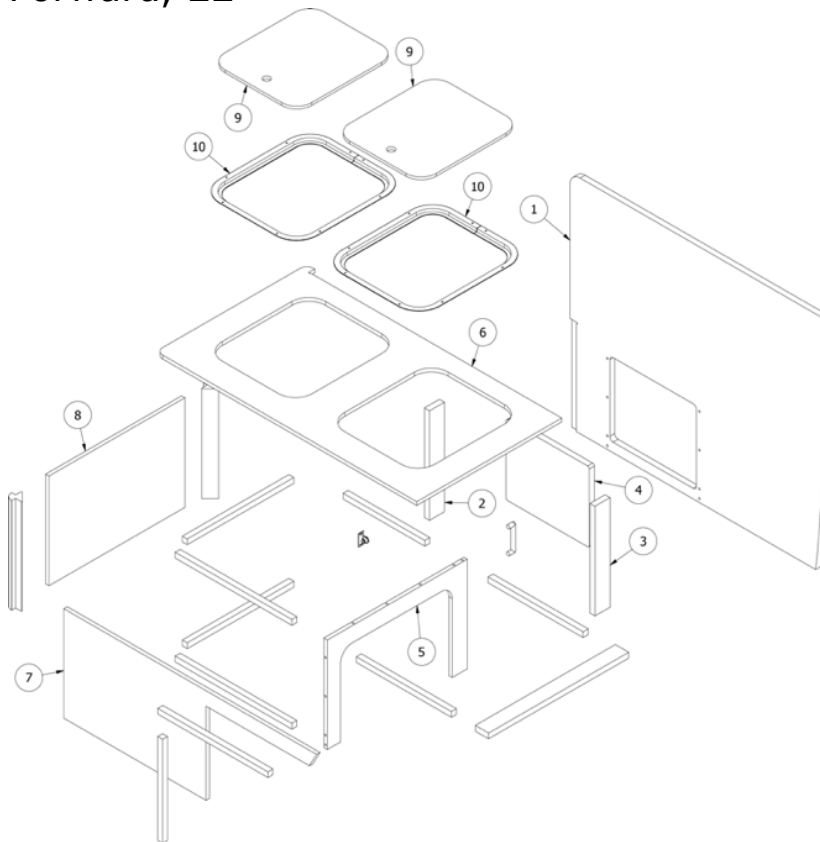
969091

LH Dinette Seat Assembly

- |                    |  |
|--------------------|--|
| 1. 969091&000112CC | Pre laminate, .5 x 22.75 x 13.5                    |
| 2. 969091&000218BB | Pre laminate, .75 x 3 x 7                          |
| 3. 969091&000318BB | Pre laminate, 38.07 x 32.75                        |
| 4. 969091&000418BC | Pre laminate, .75 x 22.25 x 13.5                   |
| 5. 969091&000518BC | Pre laminate, .75 x 39.13 x 24.38                  |
| 6. 969091&000618BC | Pre laminate, 37.86 x 13.5                         |
| 7. 800507-03       | Lauan, 13 x 15                                     |
| 8. 115812          | Trim ring, Dinette seat                            |
| 9. 969091&002018BC | Pre laminate, .75 x 14.63 x 10.13                  |
| 10. 203597         | T Molding- White 13/16"                            |
| 11. 380203-01      | Piano Hinge 1/8" Pin Clr Anodized (Sold In 6' Pcs) |
| 365385-02          | Edgebanding-White Cypress 15/16"                   |
| 382437-1           | Pull-Recessed Finger-Pol. Nickel                   |
| 381074             | Catch Bull Dog #65s (Copper)                       |
| 380041             | Brace 1" Stanley Corner                            |

# 2022 BAMBI FURNITURE, LOUNGE

## Dinette Seat, Forward, 22'



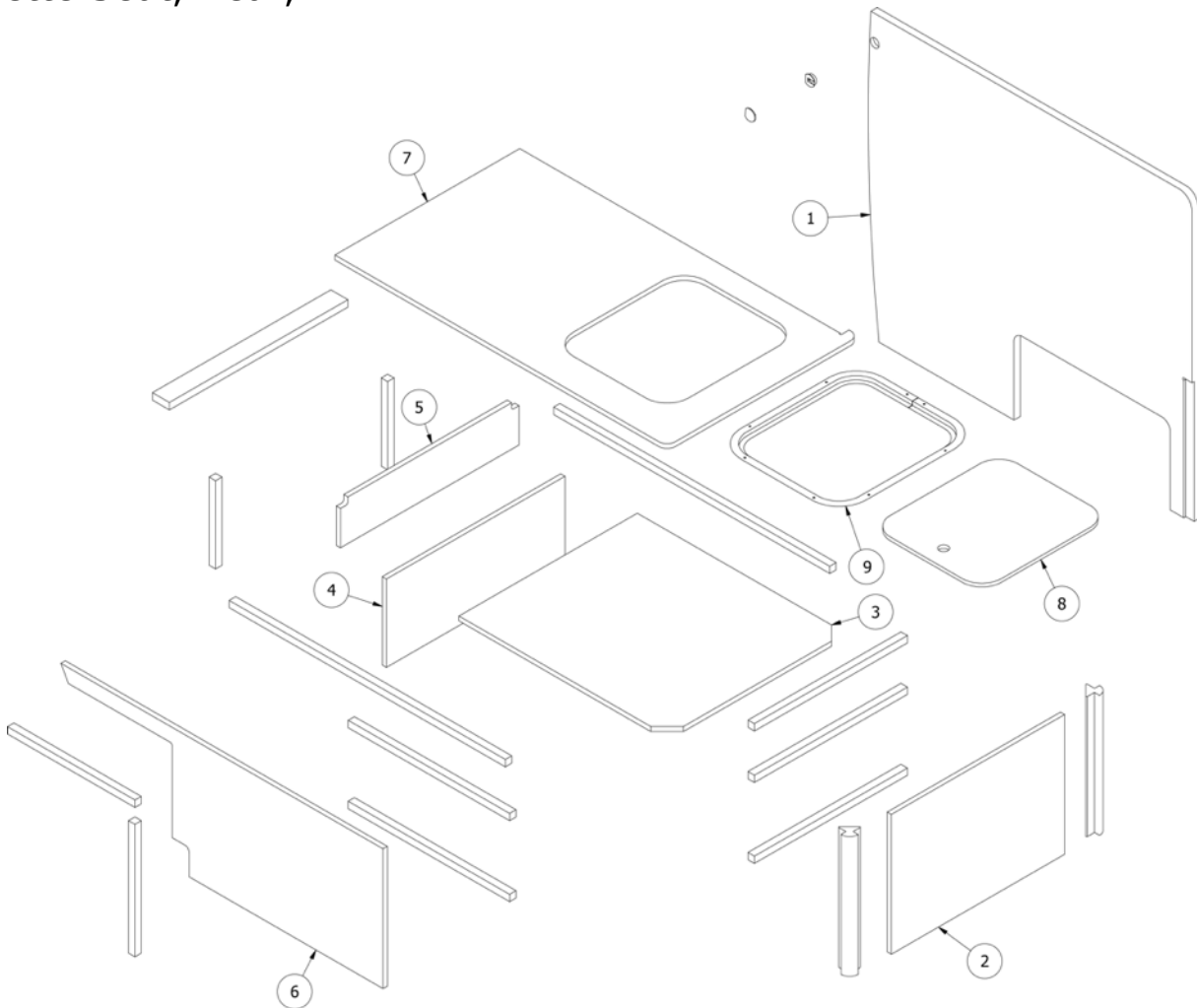
969006

Forward Dinette Seat Assembly

- |     |                 |                                      |
|-----|-----------------|--------------------------------------|
| 1.  | 969006&000118BB | Panel, 38.09 x 33.25                 |
| 2.  | 969006&000218BC | Pre laminate, 2.25 x 14.25           |
| 3.  | 969006&000318BC | Pre laminate, .75 x 2.25 x 14.25     |
| 4.  | 969006&000418BC | Pre laminate, .75 x 12.5 x 10.5      |
| 5.  | 969006&000512CC | Pre laminate, 21 x 14.25             |
| 6.  | 969006&000612BC | Pre laminate, .5 x 22.5 x 39.08      |
| 7.  | 969006&000712BC | Pre laminate, .5 x 37.9 x 14.25      |
| 8.  | 969006&000812BC | Pre laminate, .5 x 20.39 x 14.25     |
| 9.  | 800507-03       | Lauan, 15 x 13                       |
| 10. | 115812          | Trim ring, Dinette seat              |
|     | 801415-0029     | Corner Trim 1" Radius, White cypress |
|     | 365385-01       | Edgebanding-White Cypress 5/8"       |
|     | 365385-02       | Edgebanding-White Cypress 15/16"     |
|     | 203597          | T Molding- White 13/16"              |
|     | 382044          | Handle Brushed Nickel                |
|     | 203464-02       | Plastic Wall Extrusion 3/4 Beige     |
|     | 381607-16       | Angle reduction clip, 85 deg         |
|     | 381607-12       | Baseplate-Grass 9.5x37/32            |
|     | 381607-11       | Hinge-Self Close Overlay             |
|     | 381074          | Catch Bull Dog #65s (Copper)         |

# 2022 BAMBI FURNITURE, LOUNGE

## Dinette Seat, Rear, 22'



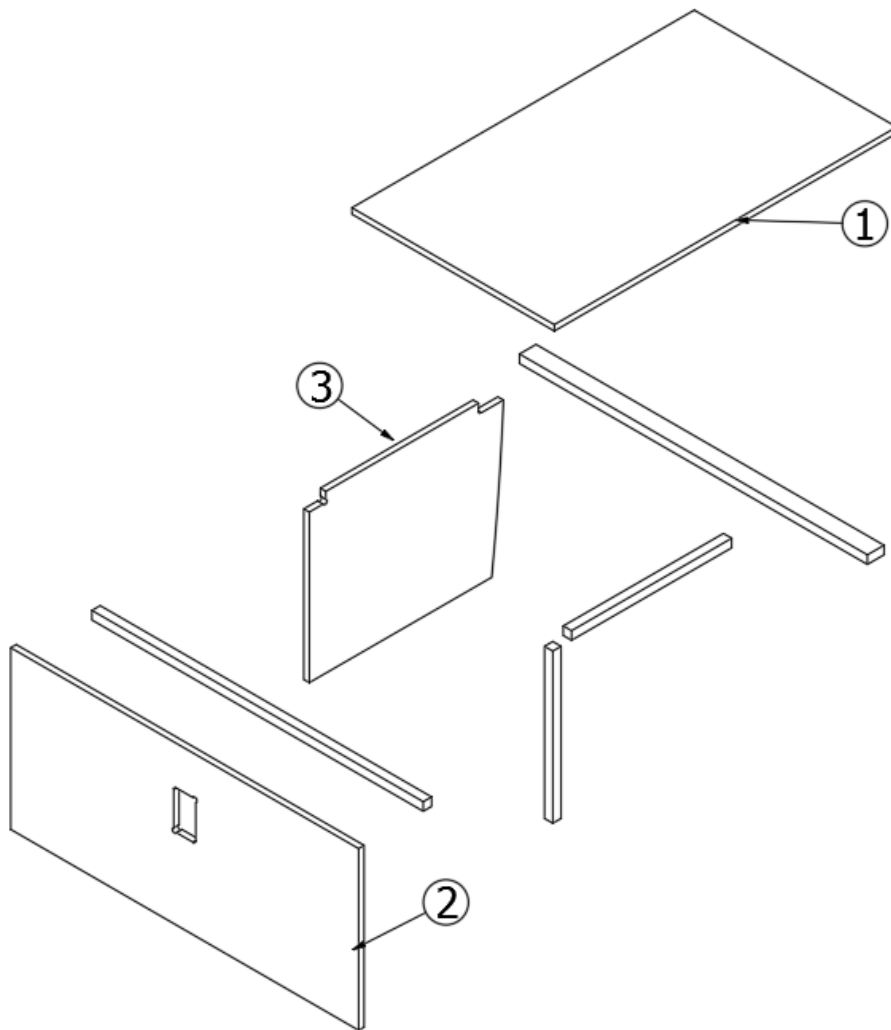
969004

### Rear Dinette Seat Assembly

- |                    |                                  |
|--------------------|----------------------------------|
| 1. 969004&000118BB | Panel, 38.06 x 33.25             |
| 2. 969004&000212BC | Pre laminate, .5 x 20.39 x 14.25 |
| 3. 969004&000312BC | Pre laminate, .5 x 21 x 24.5     |
| 4. 969004&000412CC | Pre laminate, .5 x 9 x 21        |
| 5. 969004&000512CC | Pre laminate, .5 x 4.75 x 21     |
| 6. 969004&000612BC | Pre laminate, .5 x 37.9 x 14.25  |
| 7. 969004&000712BC | Pre laminate, .5 x 22.5 x 39.08  |
| 8. 800507-03       | Luan, .38 x 15 x 13              |
| 9. 115812          | Trim ring, Dinette seat          |
| 10. 801415-0029    | Corner Trim 1" Radius            |
| 365385-01          | Edgebanding-White Cypress 5/8"   |
| 365385-02          | Edgebanding-White Cypress 15/16" |
| 203464-02          | Plastic Wall Extrusion 3/4 Beige |
| 382057-04          | Cap-Knockdown Wht #16387         |

# 2022 BAMBI FURNITURE, LOUNGE

## Dinette Seat, Middle, 22'



969003

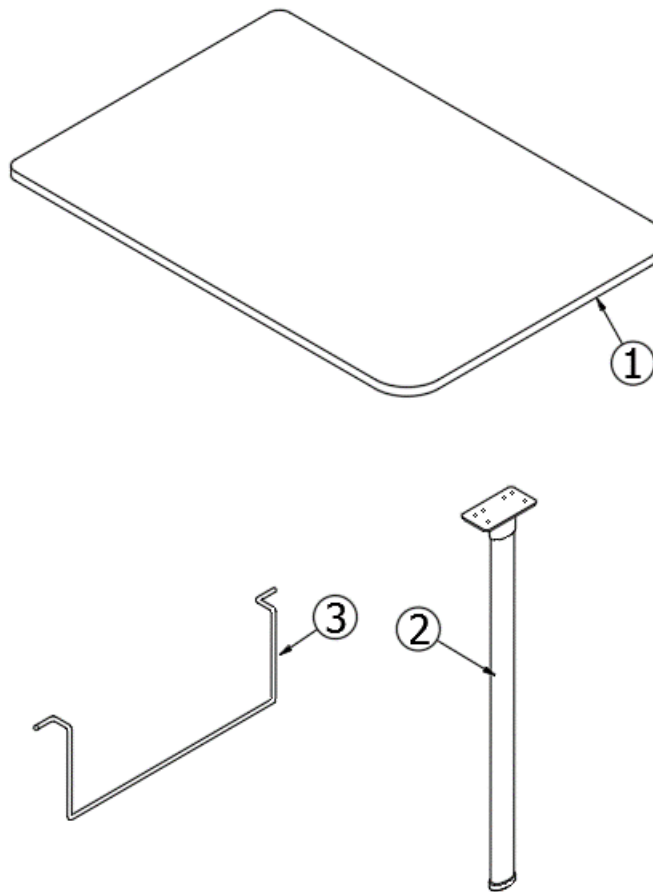
Middle Dinette Seat Assembly

1. 969003&000112BC
2. 969003&000212BC
3. 969003&000312BC  
365385-01

Pre laminate, .5 x 18.33 x 31  
Pre laminate, .5 x 31.5 x 14.25  
Pre laminate, 17.58 x 14.25  
Edgebanding-White Cypress 5/8"

# 2022 BAMBI FURNITURE, LOUNGE

Dinette Table, 16', 19', 20'



969034

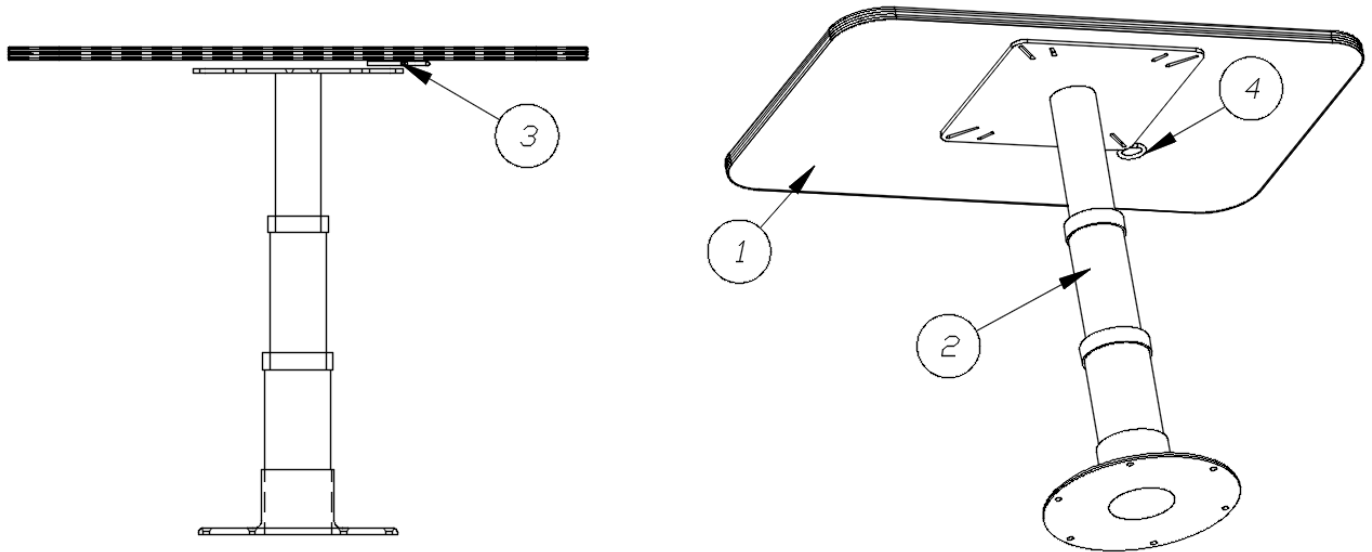
Dinette Table Assembly

1. 969034&000118JC
2. 382177
3. 380284-02  
365484-02

Pre laminate, .75 x 26 x 38  
Table Leg, Folding  
Bracket, Table hinge assembly kit  
Edgebanding - 15/16 - 2MM Citadel

# 2022 BAMBI FURNITURE, LOUNGE

## Dinette Table, 22'



969015

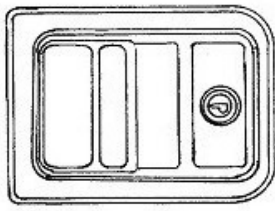
### Dinette Table Assembly

1. 969015&000118JC
2. 382073-01
3. 381400-01
4. 381109-01
- 365484-02
- 350196
- 381136

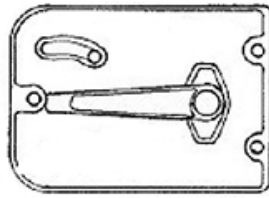
- Pre laminate, .75 x 21 x 35  
Bracket, Pedestal table  
Drawer slide, 12"  
Bunk latch w/flat U strike  
Edgebanding - 15/16 - 2MM Citadel  
Acorn nut, Self-locking  
Rubber Bumper

# 2022 BAMBI HARDWARE

## Main Door Lock, Left Hand Hinge



1



2



3



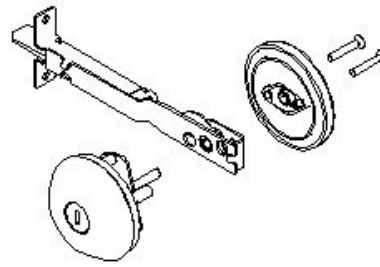
4



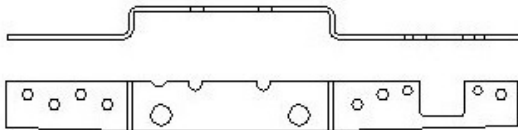
5



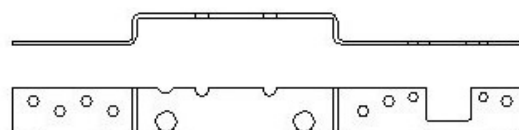
6



7



8

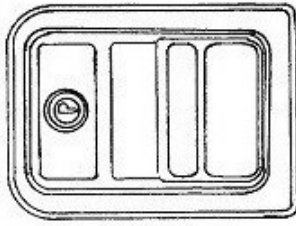


9

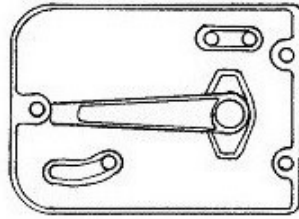
- |              |  |
|--------------|--|
| 1. 381547-01 | Main door lock, Outside housing              |
| 2. 381547-07 | Main door lock, Inside plate                 |
| 3. 381547-03 | Double rotary latch, Main door               |
| 4. 381547-04 | Striker bolt w/washer, Main door lock        |
| 5. 381550    | Plate, Striker bolt mounting                 |
| 6. 114657    | Door hat section                             |
| 7. 382067    | Outer reinforcement plate, RH/LH hinged door |
| 8. 382066    | Inner reinforcement plate, LH hinged door    |
| 381547-102   | Main door key, Blank                         |
| 381547-08    | Screw package, Main door lock                |
| 385595       | Pocket strike                                |
| 382122       | Key chain, Airstream logo                    |

# 2022 BAMBI HARDWARE

## Main Door Lock, Right Hand Hinge



1



2



3



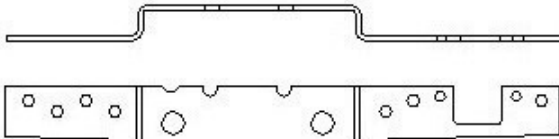
4



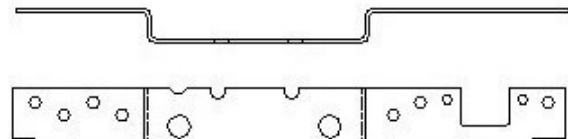
5



6



7



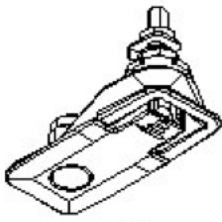
8

- |              |  |
|--------------|--|
| 1. 381547-09 | Main door lock, Outside housing              |
| 2. 381547-11 | Main door lock, Inside plate                 |
| 3. 381547-10 | Double rotary latch, Main door lock          |
| 4. 381547-04 | Striker bolt w/washer, Main door lock        |
| 5. 381550    | Plate, Striker Bolt                          |
| 6. 114657    | Door hat section                             |
| 7. 382067    | Outer reinforcement plate, RH/LH hinged door |
| 8. 382068    | Inner reinforcement plate, RH hinged door    |
| 381547-08    | Screw package, Main door lock                |
| 381547-102   | Main door key, Blank                         |
| 385595       | Pocket strike                                |
| 382122       | Key chain, Airstream logo                    |



# 2022 BAMBI HARDWARE

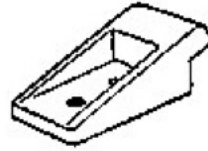
## Exterior Latches, Locks, and Handles



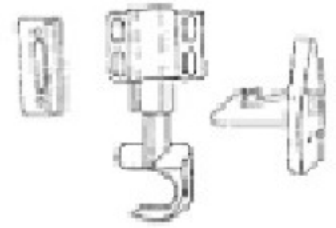
①



②



③



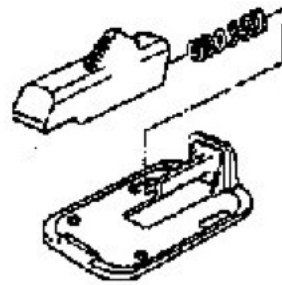
④



⑤



⑥



⑦



⑧

- |              |  |
|--------------|--|
| 1. 382230-03 | Latch, Compression, Locking                |
| 2. 381021-01 | Rubber T handle                            |
| 3. 201056    | Catch, Main door hold-back                 |
| 4. 381454    | Latch, Screen door, Bullet                 |
| 5. 101171-02 | Grab handle, Cast Aluminum, silver painted |
| 101171-03    | Grab handle, Raw Aluminum                  |
| 6. 380004    | Handle, Screen door                        |
| 7. 380291    | Main door hold-back                        |
| 8. 380290    | Latch housing                              |
| 382074       | Gasket, Main door grab handle              |

# 2022 BAMBI HARDWARE

## Interior Latches and Handles



1



2



3



4



5

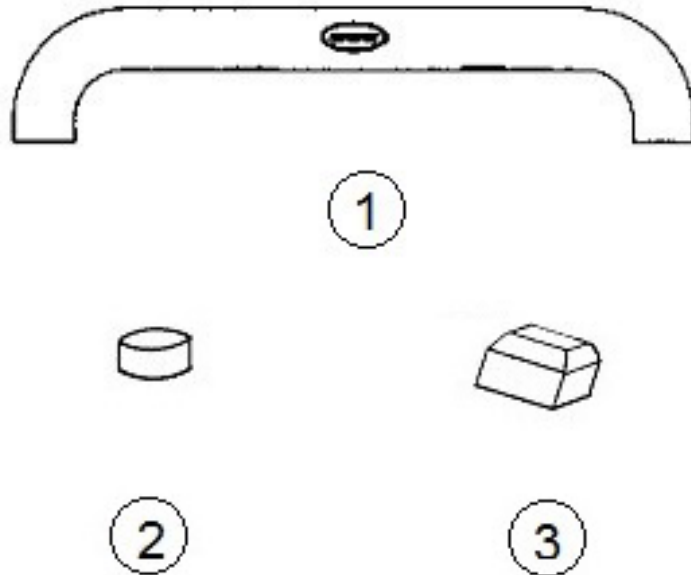


6

- |              |                                       |
|--------------|---------------------------------------|
| 1. 382044    | Handle, Brushed Nickel                |
| 2. 381737-02 | Grab bar, Interior, Black             |
| 3. 381228-02 | Catch, Grabber door, 5LB              |
| 381228       | Catch, Grabber door, 10LB             |
| 4. 382437-1  | Pull-Recessed Finger, Polished Nickel |
| 5. 382582-01 | Knob- Pull Bathroom                   |
| 6. 382034    | Latch-Flush Mount                     |

# 2022 BAMBI HARDWARE

## Head knocker, Rubber Bumpers, and Screw Caps



- |              |  |
|--------------|--|
| 1. 382194    | Head knocker, White                          |
| 2. 360012-01 | Bumper, Rubber, Stick-on, Cylindrical, Brown |
| 3. 360016    | Bump-on, Rubber, Square, Gray                |
| 195329-202   | Hemisphere, Clear bump-on                    |
| 381136       | Rubber Bumper                                |
| 381610-01    | Cover cap, Plastic, European White           |

## Interior Hinges

- |           |   |
|-----------|---|
| 380203-01 | Piano hinge                             |
| 380773    | Hinge, Access door                      |
| 381607-11 | Hinge, Self-close, 110D overlay         |
| 381853    | Hinge-Continuous Alum Piano             |
| 380458    | Hinge-Piano Copper Metallic Bake Enamel |

## Exterior Hinges

- |           |   |
|-----------|---|
| 381552-03 | Hinge, Main door, Upper                     |
| 381552-04 | Hinge, Main door, Lower                     |
| 381531-01 | Hinge, Screen door, Upper                   |
| 381531-02 | Hinge, Screen door, Lower                   |
| 380773    | Hinge, Exterior access door, Gas tank cover |
| 380203-01 | Piano hinge, 1/8" Pin, Battery box lid      |

## 2022 BAMBI HARDWARE

### Bathroom Accessories, 16'

601358	Showerhead hardware, Chrome
604877-01	Shower valve w/flat washer
382098	Handle, Towel bar, Chrome
703467-01	Shower curtain, square corner
703467-04	Shower curtain, Side entry bath
703760	Fabric, Shower shield, Snow, 72"

### Bathroom Accessories, 19', 20', 22'

601829	Shower valve, Chrome
601358	Shower hardware, Chrome
382098	Handle, Towel bar, Chrome
380034	Toilet paper holder, Chrome
382551	Towel Ring

### Clothesline

382063	Clothesline, Retractable
--------	--------------------------

### Wardrobe Clothes Rod

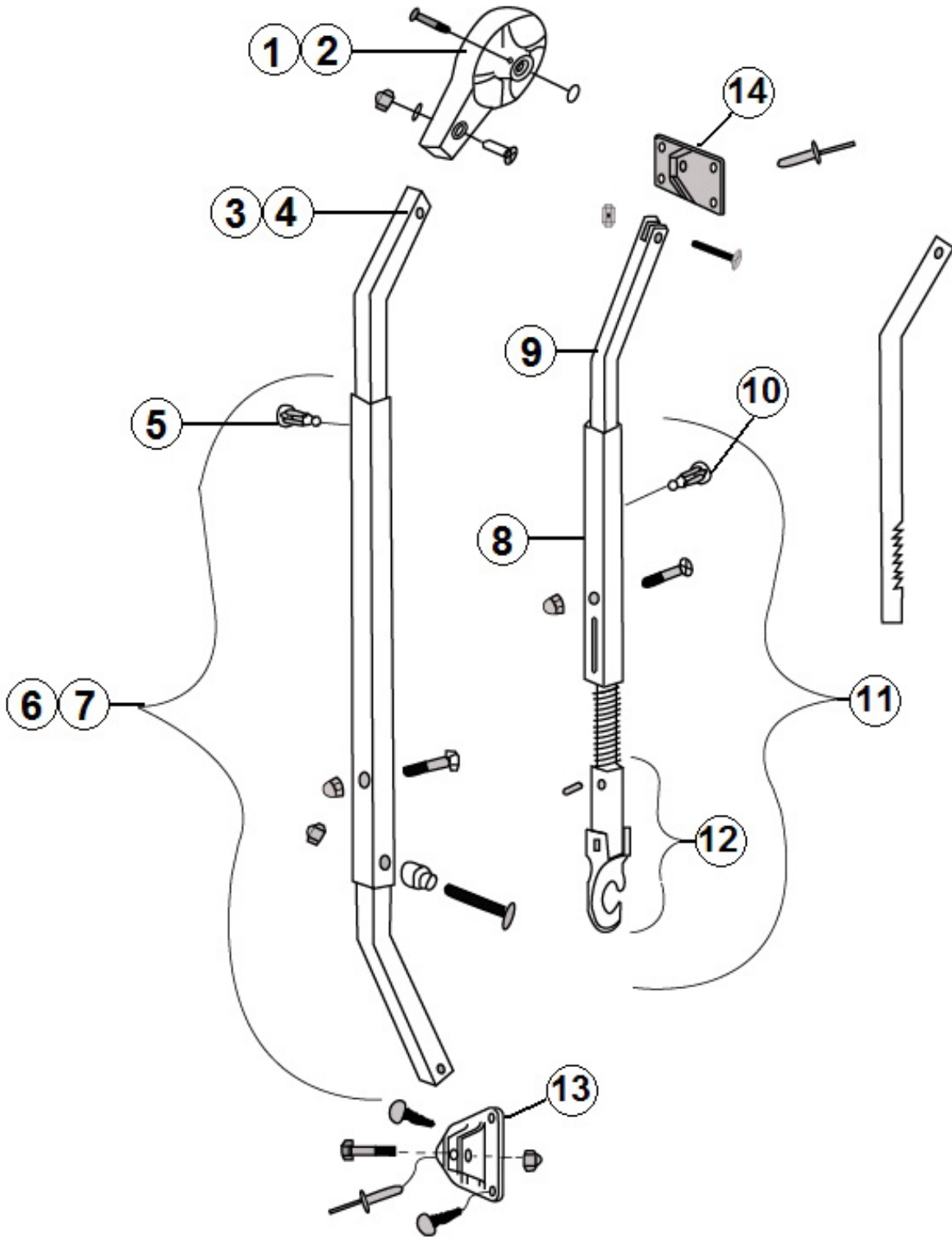
380045	Clothes rod
200975-04	Conduit, Flexible Black plastic

### Key Holder

385229	Key holder, Plastic, Airstream Blue
--------	-------------------------------------

# 2022 BAMBI HARDWARE

## Awning Hardware, Patio



Parts Listed on Next Page

# 2022 BAMBI HARDWARE

## Awning Hardware, Patio

703727-01                      Awning Hardware, Complete Package

1. 74043W-08                      Front head casting
2. 74043W-09                      Rear head casting
3. 74047W-13                      Main arm bar, Front
4. 74047W-14                      Main arm bar, Rear
5. 74054W                              Snap stud assembly
6. 74048WS-18                      Front main tube bar assembly
7. 74048WS-19                      Rear main tube bar assembly
8. 74063W-05                      Rafter arm tube
9. 74061WS-09                      Rafter arm bar
10. 74072W                              Ratchet stud
11. 74048WS-20                      Rafter arm tube assembly
12. 74068W-05                      Claw bar assembly
13. 74055W                              Base hinge
14. 74056W-02                      Rafter base, Flat
- 74041W-01                      Zip Dee hook, Pull rod, 52"

## 2022 BAMBI HARDWARE

### Rivets

325000-01	Rivet, 1/8 x 1/4, Anodized Clear
325001-01	Rivet, 1/8 x 5/16, Anodized Clear
325002-01	Rivet, 1/8 x 3/8, Anodized Clear
325003-01	Rivet, 1/8 x 7/16, Anodized Clear
325003-03	Rivet, 1/8 x 7/16, Polar White
325004-01	Rivet, 1/8 x 1/2, Anodized Clear
325103-01	Rivet, Pop, 3/16, Anodized Clear
330155	Rivet, .125, Aluminum w/Stainless Steel mandrel
330127-04	Rivet, 1/8, AD44ABS
330127-05	Rivet, 1/8, AD45ABS
330126-02	Rivet, Pop, SSD43SSBS
330126-03	Rivet, Pop, SSD44SSBS
330126-04	Rivet, Pop, SSD45SSBS

### Screws

345468-01	Screw, #12 x .625, PH, Black, TV bracket
320116-02	Screw, #8 x .5, PH, Black
320116-04	Screw, Sheet metal, #8 PPH, Black
345558	Screw, #8-32 x .5, PH, Black, Windows
320078	Screw, 8 x 3/8
382116-03	Cap, Rubber, 5/32 x .5
320111	Screw, #8 x 3/4, SD, PPH, SS
320029-02	Screw, #8 x 1, Self-tap, SS

# 2022 BAMBI SAFETY EQUIPMENT

## Detectors and Fire Extinguishers

510781	Smoke detector
513796	Detector, LP/CO
690381-02	Fire extinguisher



## 2022 BAMBI LABELS AND TAGS

### Labels and Tags

386250	Label, LPG Service Port
386119	Label, "Don't Use Area for Storage"
386118	Label, LP Gas Warning/Fill
386121	Label, LP Gas Warning Label (Odor)
386122	Warning Label/Cooking Appliance
386123	Label, "Potable Water Only"
385465	Exit Label, English
386120	Label, Smoke Detector
386114	Label, Rvia Silver
386192	Hang Tag, Smoke/Co Detector Battery
386193	Label, Wheel Torque Warning
386226	Label, RV Master Weight Label
385020	Sticker, Self-Adhering, Jack
385062	Decal, 110-125 Voltage Ac
385941	Label, Wastewater holding tank
385942	Label, Sewage holding tank
385943	Label, Cap must be in place
386232	Label, Warning-Secure Privacy Curtain
386301	Warning label, Window Glass
386302	Label, Cooktop
386303	Warning label, Surface Cleaning
365477	Decal - Black Tank Flush
365478	Decal-City Water Inlet

### Labels and Tags, CSA

385949	Label, Potable Water, CSA
385950	Label, Smoke Detector, CSA
385951	Label, Range Fresh Air, CSA
385952	Label, LP Warning, CSA
385953	Label, If You Smell Gas, CSA
385954	Label, Range Warning, CSA
386105	Label, TV/VCR Receptable, CSA
365477	Decal - Black Tank Flush
365478	Decal-City Water Inlet



## 2022 BAMBI PLUMBING, LPG SYSTEM

### LP Tanks and Regulator

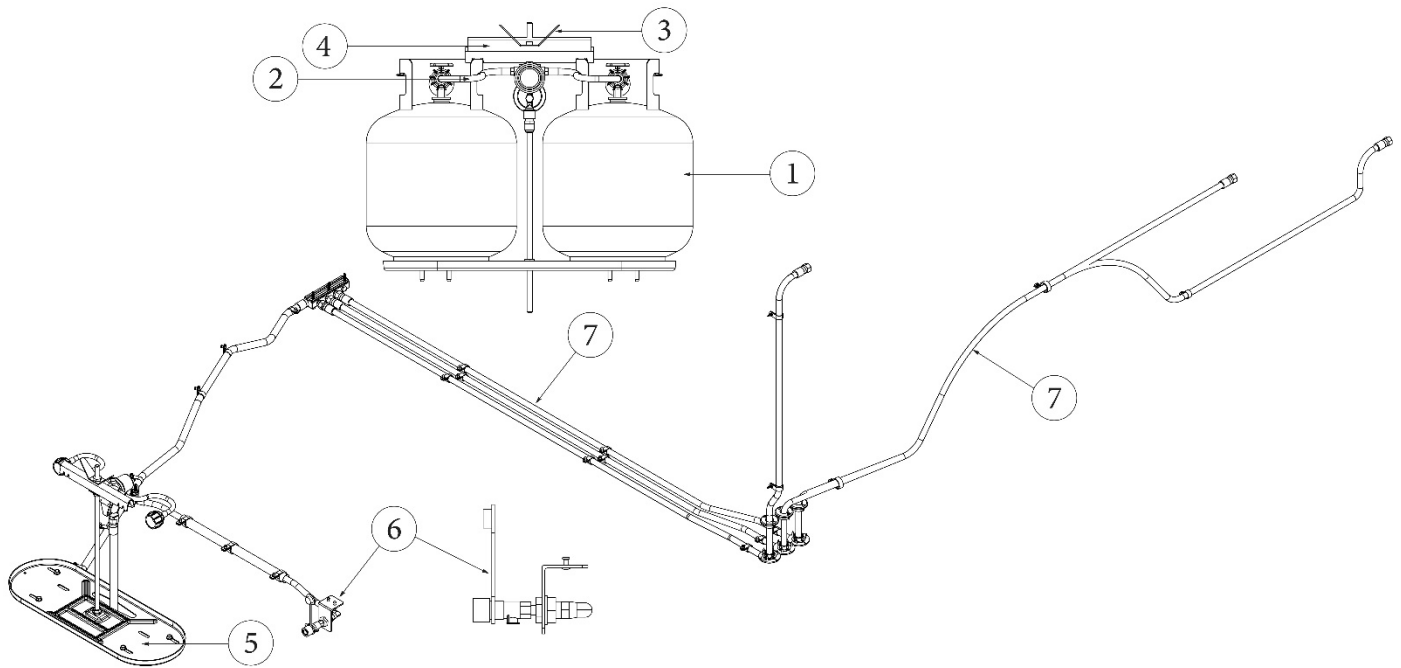
601781	LP gas tank, 20#, Steel
602870	LP Regulator
455841	LP bottle wing nut
381613	Plastisol cover (for wing nut)
602332-02	Pan kit, Black
455842	LP bottle hold down
602109-01	Coupler, Disconnect, .25"

### LP Tank Cover

921251	Cover, LP tank
115288-05	Wrapper, LP tank cover
200841-02	Lid, LP tank cover, Black
382562	Latch, Rubber
382562-01	Keeper, Rubber
380773	Piano hinge, .5"
921257	Sub Assy, Cross bar, LP cover
115290-01	Angle, LP tank cover, Forward
115290-02	Angle, LP tank cover, Aft
115289-05	Crossbar, LP bottle cover

# 2022 BAMBI PLUMBING, LPG SYSTEM

## LPG System, 16'



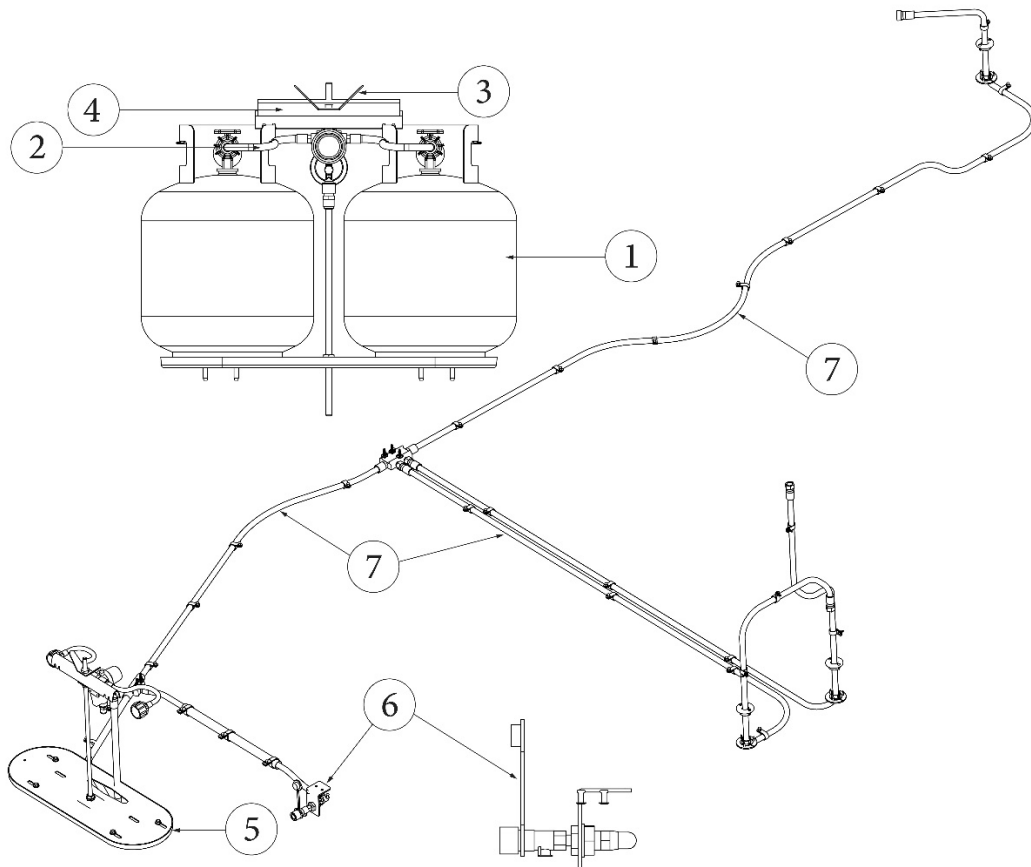
112900-01

LP System Install, 16'

- |              |                                     |
|--------------|-------------------------------------|
| 1. 601781    | LP Tank-20LB Steel                  |
| 2. 602870    | LP Regulator                        |
| 3. 455841    | LP bottle wing nut                  |
| 381613       | Plastisol cover (for wing nut)      |
| 4. 455842    | LP bottle hold down                 |
| 5. 602332-02 | Pan Kit, Black                      |
| 6. 602465    | Exterior propane port assembly      |
| 7. 944002    | LP Flex Hose Assy, 16'              |
| 382500       | Grommet- .5" Pipe Press Fit Sealing |
| 340085-07    | Clamp-Loop W/Rub.1"                 |
| 201267-11    | Convuluted Conduit 1"               |
| 340085-06    | Clamp, Loop, Steel W/Rubber,.75 DIA |
| 382556       | Closeout- 2.38"D LP ASSY BC         |
| 512412       | Bushing-Snap IN .75"ID              |

# 2022 BAMBI PLUMBING, LPG SYSTEM

## LPG System, 19'



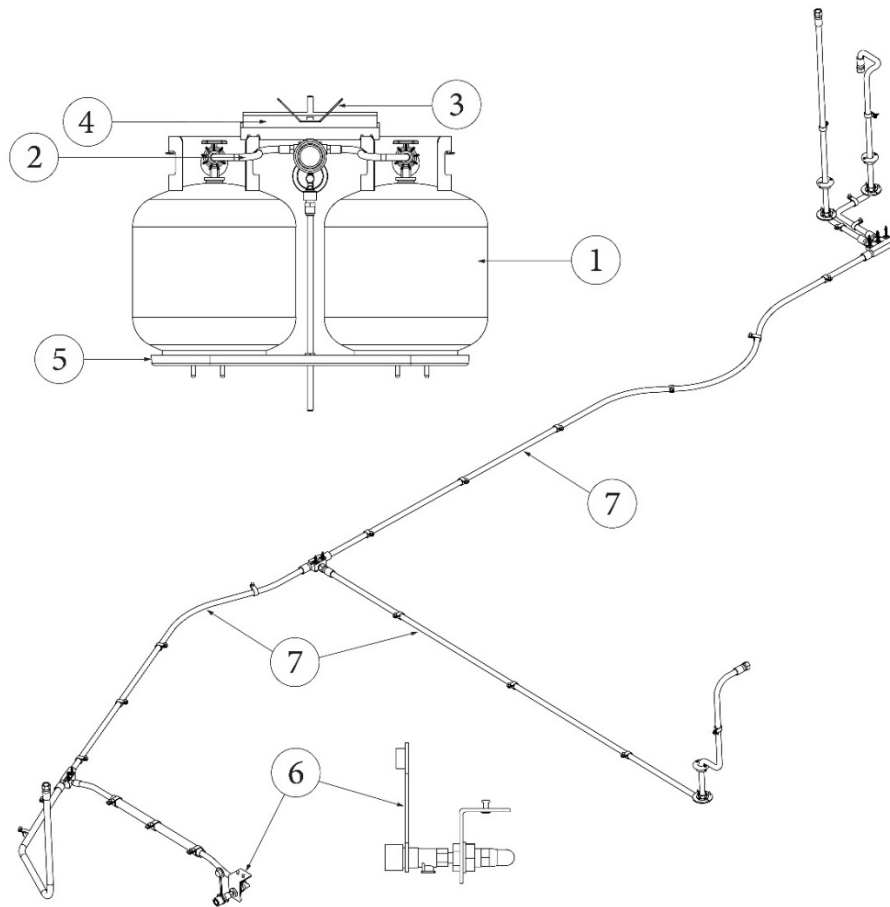
112899-01

LP System Install, 19'

- |              |                                     |
|--------------|-------------------------------------|
| 1. 601781    | LP Tank-20LB Steel                  |
| 2. 602870    | LP Regulator                        |
| 3. 455841    | LP bottle wing nut                  |
| 381613       | Plastisol cover (for wing nut)      |
| 4. 455842    | LP bottle hold down                 |
| 5. 602332-02 | Pan Kit, Black                      |
| 6. 602465    | Exterior propane port assembly      |
| 7. 944003    | LP flex line assembly, 19'          |
| 382500       | Grommet- .5" Pipe Press Fit Sealing |
| 340085-07    | Clamp-Loop W/Rub.1"                 |
| 201267-11    | Convuluted Conduit 1"               |
| 340085-06    | Clamp, Loop, Steel W/Rubber,.75 DIA |
| 382556       | Closeout- 2.38" D LP ASSY BC        |
| 512412       | Bushing-Snap IN .75" ID             |

# 2022 BAMBI PLUMBING, LPG SYSTEM

## LPG System, 20'



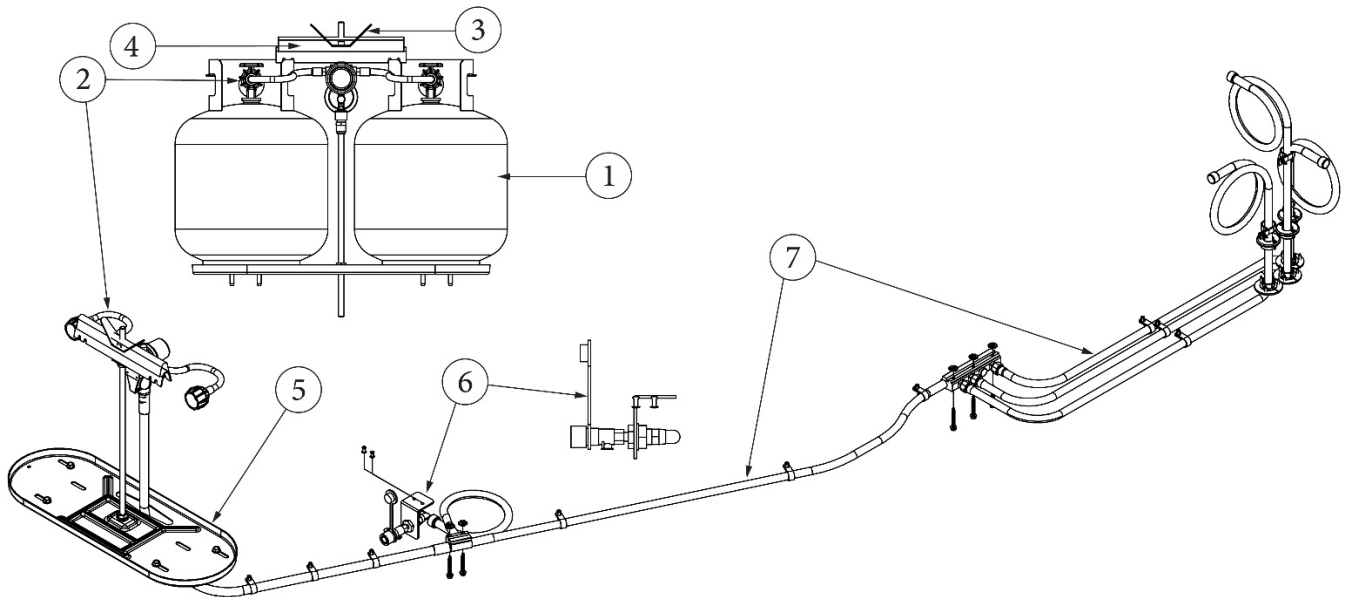
112898-01

LP System Install, 20'

- |  |  |
|--|--|
| <ul style="list-style-type: none"> <li>1. 601781</li> <li>2. 602870</li> <li>3. 455841</li> <li>   381613</li> <li>4. 455842</li> <li>5. 602332-02</li> <li>6. 602465</li> <li>7. 944004</li> <li>   382500</li> <li>   340085-07</li> <li>   201267-11</li> <li>   340085-06</li> <li>   382556</li> <li>   512412</li> </ul> | <ul style="list-style-type: none"> <li>LP Tank-20LB Steel</li> <li>LP Regulator</li> <li>LP bottle wing nut</li> <li>Plastisol cover (for wing nut)</li> <li>LP bottle hold down</li> <li>Pan Kit, Black</li> <li>Exterior propane port assembly</li> <li>LP flex line assembly, 20'</li> <li>Grommet- .5" Pipe Press Fit Sealing</li> <li>Clamp-Loop W/Rub.1"</li> <li>Convuluted Conduit 1"</li> <li>Clamp, Loop, Steel W/Rubber,.75 DIA</li> <li>Closeout- 2.38" D LP ASSY BC</li> <li>Bushing-Snap IN .75" ID</li> </ul> |
|--|--|

# 2022 BAMBI PLUMBING, LPG SYSTEM

## LPG System, 22'



112928-01

LP System Install, 22'

- |              |                                     |
|--------------|-------------------------------------|
| 1. 601781    | LP Tank-20LB Steel                  |
| 2. 602870    | LP Regulator                        |
| 3. 455841    | LP bottle wing nut                  |
| 381613       | Plastisol cover (for wing nut)      |
| 4. 455842    | LP bottle hold down                 |
| 5. 602332-02 | Pan Kit, Black                      |
| 6. 602465    | Exterior propane port assembly      |
| 7. 944006    | LP flex line assembly, 22'          |
| 382500       | Grommet- .5" Pipe Press Fit Sealing |
| 340085-07    | Clamp-Loop W/Rub.1"                 |
| 201267-11    | Convolute Conduit 1"                |
| 340085-06    | Clamp, Loop, Steel W/Rubber,.75 DIA |
| 382556       | Closeout- 2.38" D LP ASSY BC        |
| 512412       | Bushing-Snap IN .75" ID             |

## 2022 BAMBI PLUMBING, FRESH WATER

### Faucet, Galley

602243            Faucet, Single handle, Moen, Chrome

### Faucet, Lavatory

602859            Faucet Pfister Parisa & Braided

### City Water Hook-Up

601392-06        City water fill w/regulator, 50 PSI, Chrome

601392-01        Plastic screw in cap

365478            Decal-City Water Inlet

### Fresh Water Tank Fill

601194            Water fill w/lock, Gray

601194-02        Cap, cable, & spout

601239-01        Tubing, 1.375" ID, Flexible, Water fill hose

### Water Pump

602307            Shurflo water pump, 3 GPM

601668-01        Strainer, Water pump

### Fresh Water Tanks

601861-01        Fresh water tank, 23 gallons, 16'

602785-1        Fresh water tank, 27 gallons, 19', 22'

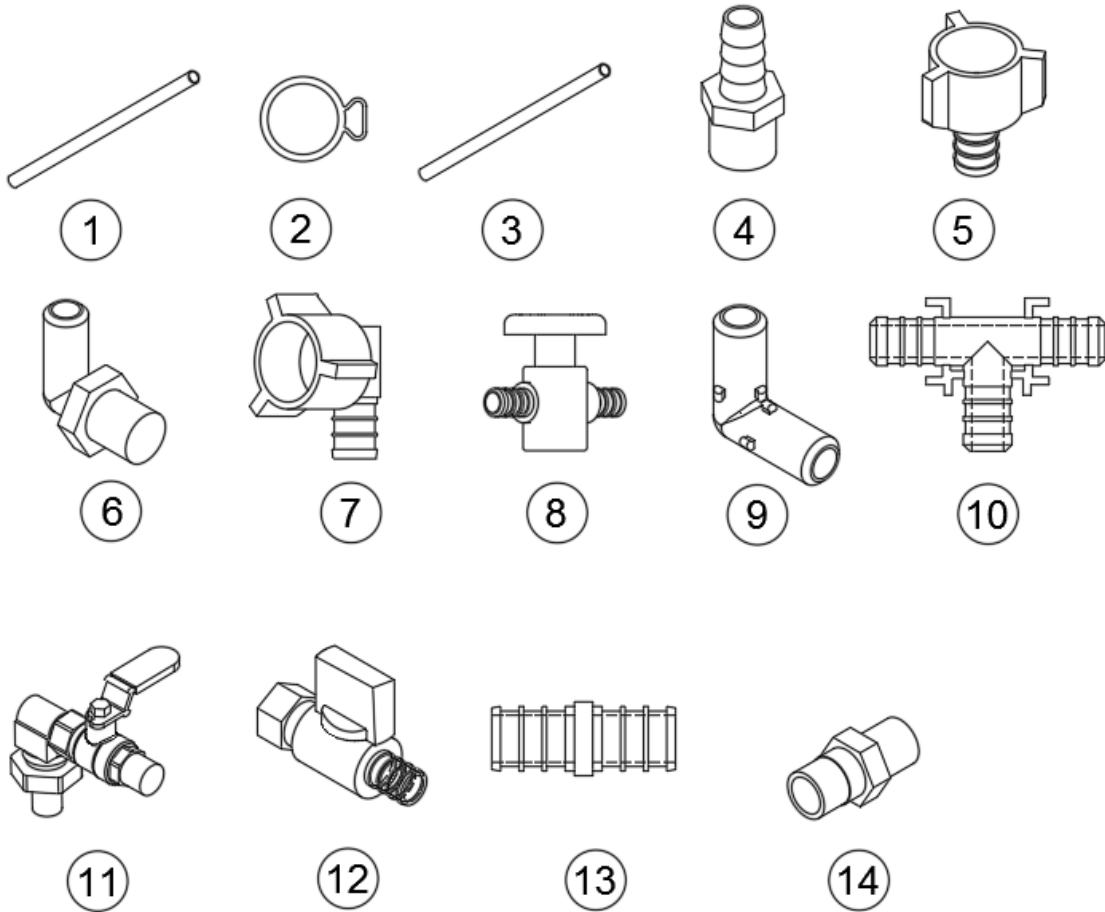
602785-2        Fresh water tank, 27 gallons, 20'

455507            Fresh Water Tank Pan



# 2022 BAMBI PLUMBING, FRESH WATER

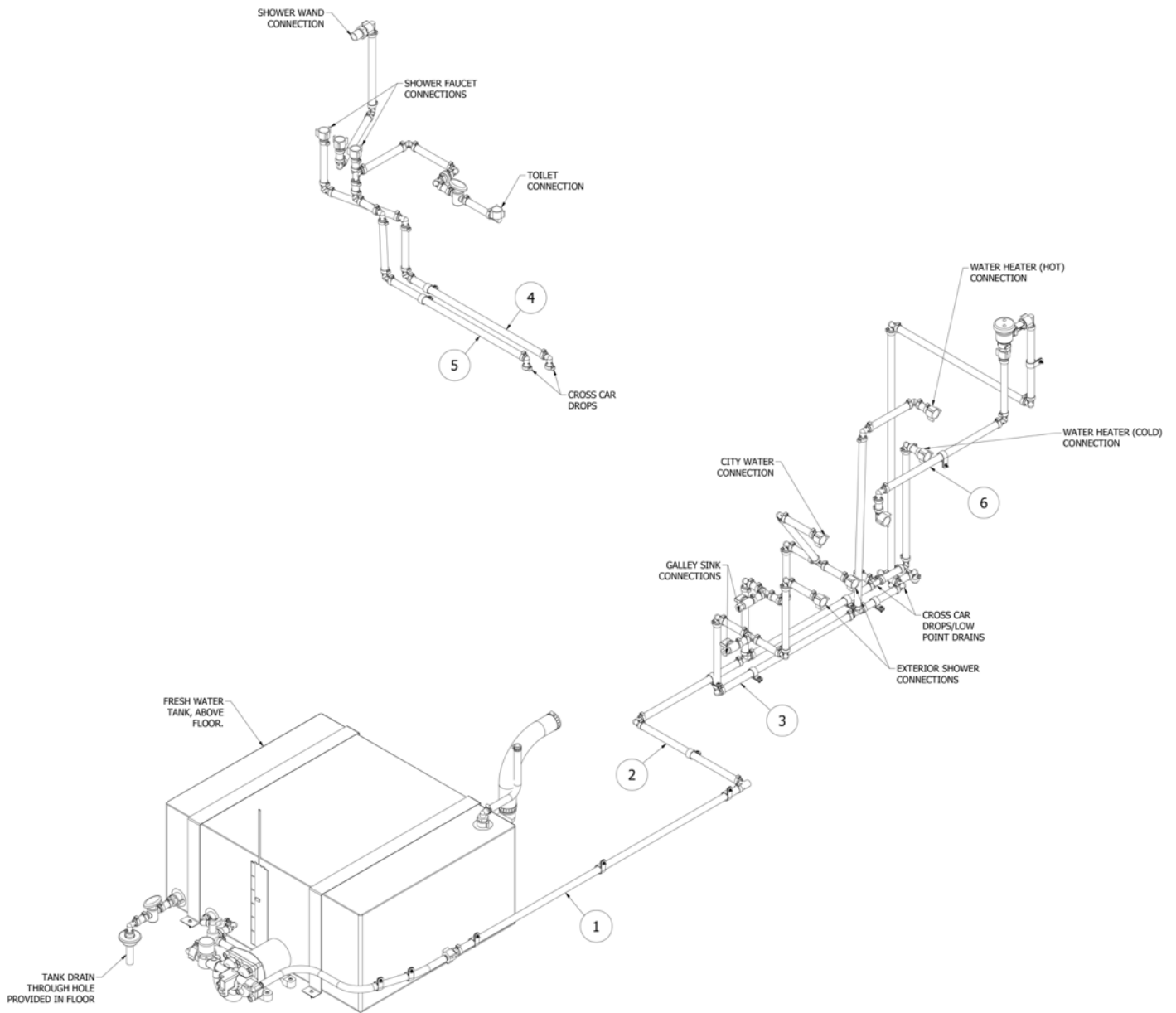
## Fresh Water Fittings



- |               |  |
|---------------|--|
| 1. 601698-01  | E-Pex tube, 1/2"                           |
| 2. 601698-15  | Crimp ring, 1/2" E-Pex, 1/2", Black        |
| 3. 601698-21  | E-Pex tube, 1/2", Red                      |
| 4. 602256-02  | Coupler, 1/2" barb x 1/2" MPT              |
| 5. 602256-03  | Coupler, 1/2" barb x 1/2" FPT              |
| 6. 602256-04  | Elbow, 1/2" barb x 1/2" MPT                |
| 7. 602256-05  | Elbow, 1/2 barb x 1/2" FPT                 |
| 8. 602256-22  | Valve straight .5B x .5"B #1406            |
| 9. 602256-10  | Elbow, 1/2" barb x 1/2" barb               |
| 10. 602256-11 | Tee, 1/2" x 1/2" x 1/2"                    |
| 11. 602185-01 | Drain valve, 90°                           |
| 12. 602137    | Valve-Shut Off .5"Bx.38"COMP               |
| 13. 602256-08 | Coupling-Poly .5 BARB                      |
| 14. 602308    | Valve-Check .5"MPT x .5"MPT Brass          |
| 15. 601243    | Drain Cock                                 |
| 16. 601237    | Elbow 90 degrees 1 1/4 barb-1 1/4 Male NPT |

# 2022 BAMBI PLUMBING, FRESH WATER

## Fresh Water Lines, 16'



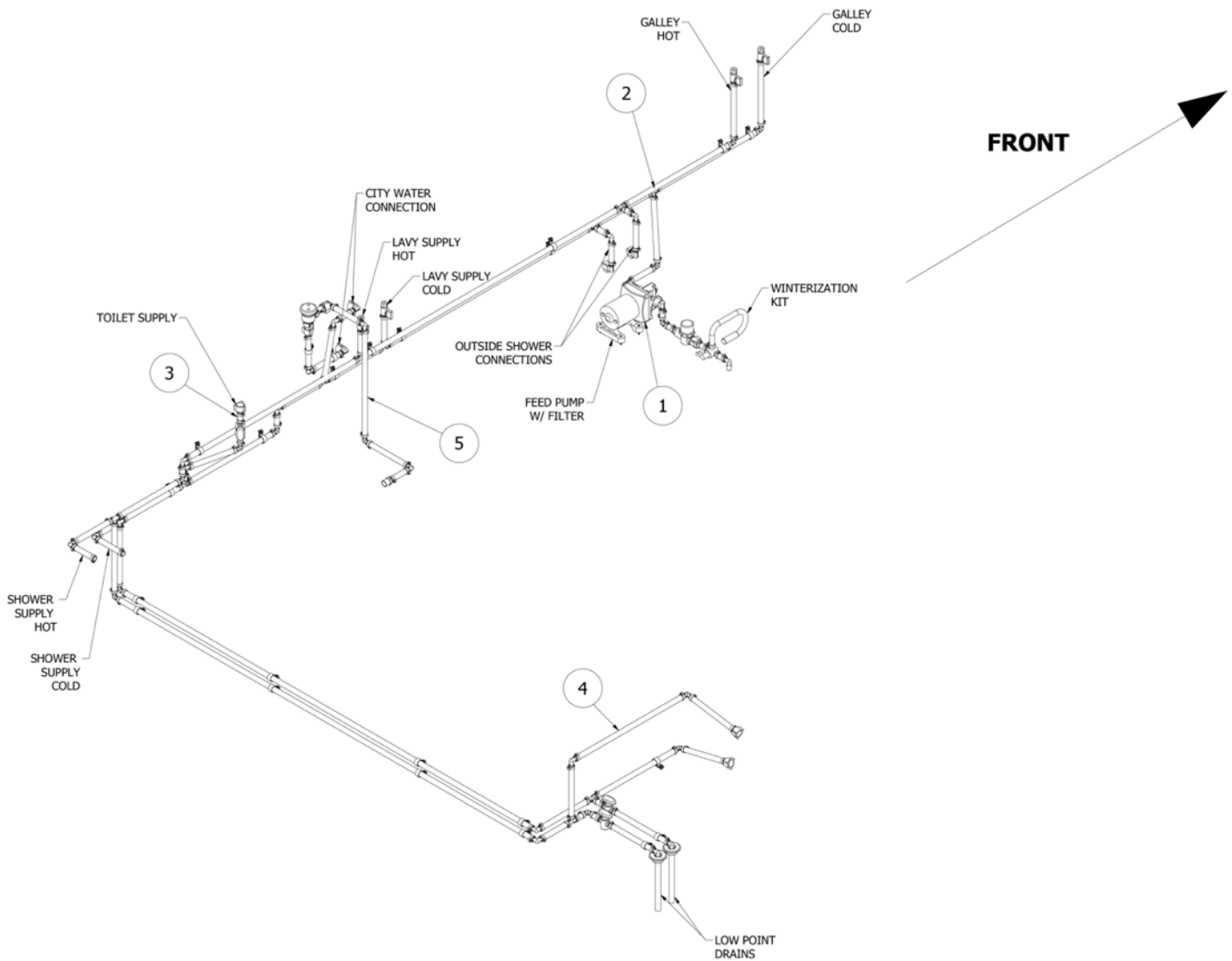
113044-01

### Fresh Water Layout

- |              |                                 |
|--------------|---------------------------------|
| 1. 943920-01 | Layout - Pump Feed              |
| 2. 943920-11 | Layout, Galley cold supply      |
| 3. 943920-12 | Layout, Galley hot supply       |
| 4. 943920-07 | Layout-Shower Faucet to Handset |
| 5. 943920-06 | Layout-Curbside-Hot             |
| 6. 943920-08 | Layout - Tank Flush             |

# 2022 BAMBI PLUMBING, FRESH WATER

## Fresh Water Lines, 19'



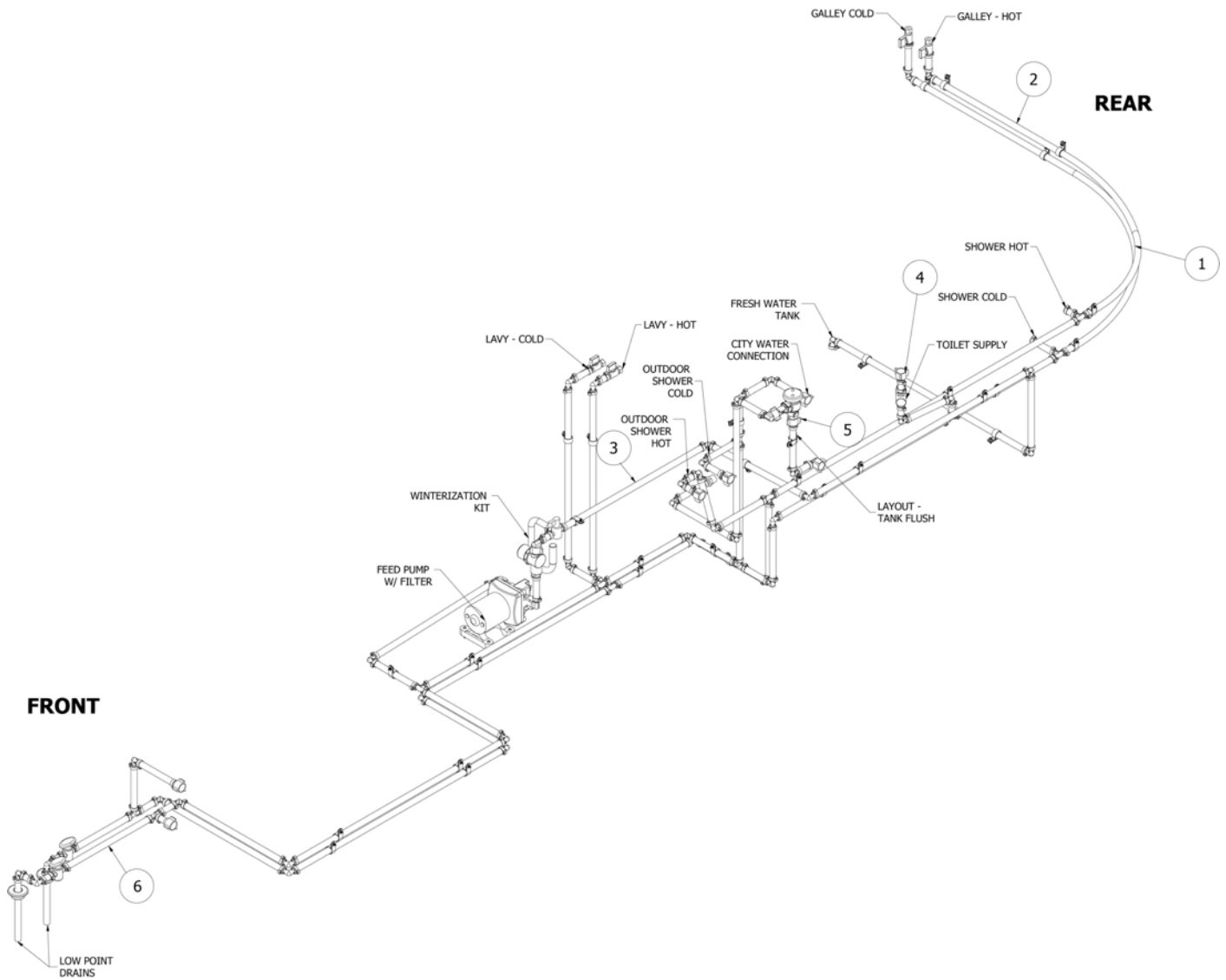
113318-01

Fresh Water Layout

- |              |                                      |
|--------------|--------------------------------------|
| 1. 943941-08 | Layout, Cold water supply            |
| 2. 943941-09 | Layout, Hot water supply             |
| 3. 943941-03 | Layout, Toilet supply                |
| 4. 943941-06 | Layout, Water heater bypass          |
| 5. 943941-07 | Layout, Tank flush                   |
| 340085-06    | Clamp, Loop, Steel w/rubber, 3/4"    |
| 365330-01    | Silicone, White                      |
| 382500       | Press fit sealing grommet, 1/2" pipe |

# 2022 BAMBI PLUMBING, FRESH WATER

## Fresh Water Lines, 20'



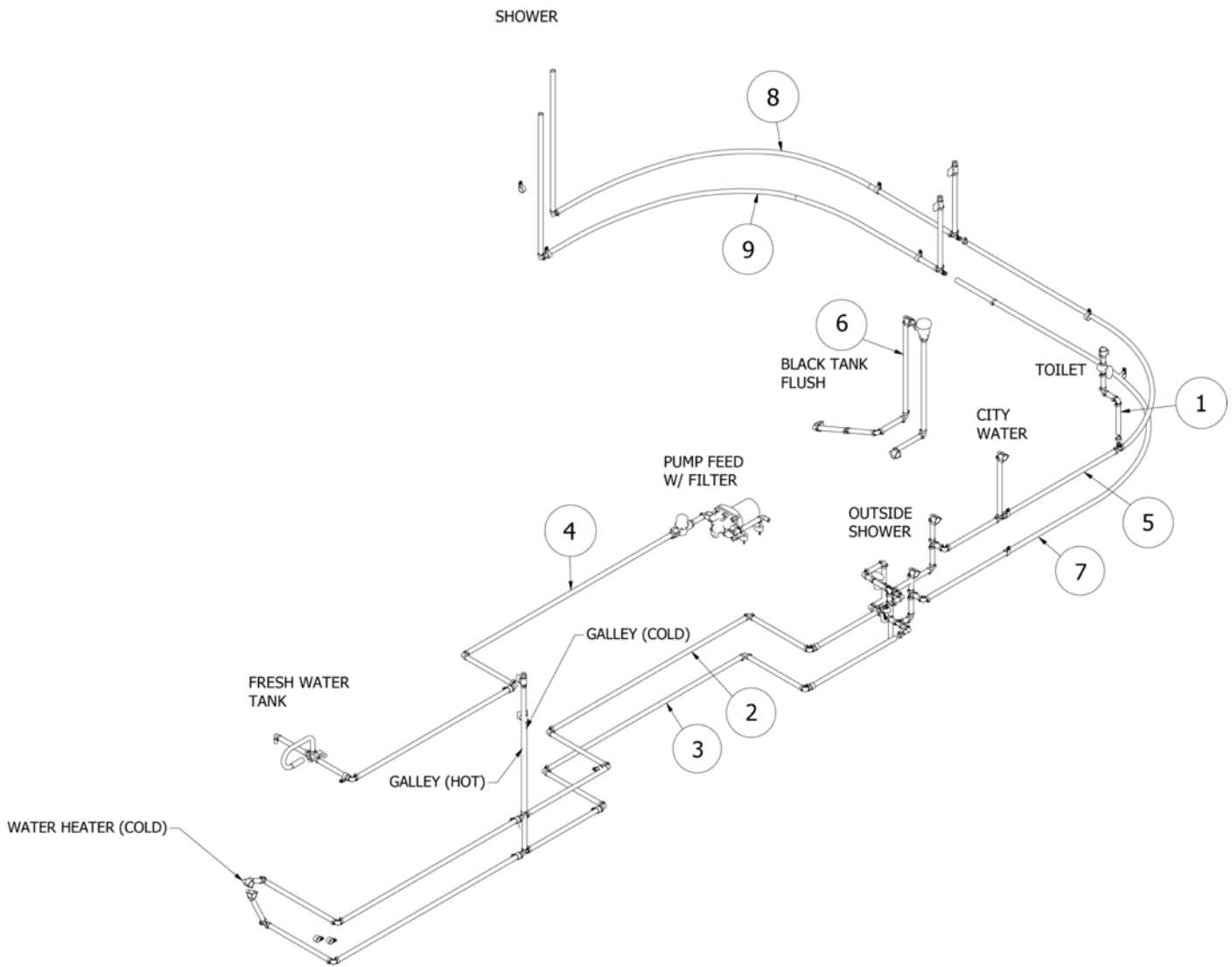
113295-01

Fresh Water Layout

- |              |                                      |
|--------------|--------------------------------------|
| 1. 943962    | Layout, Cold water supply            |
| 2. 943963    | Layout, Hot water supply             |
| 3. 943935-03 | Layout, Tank/pump supply             |
| 4. 943935-04 | Layout, Toilet supply                |
| 5. 943935-08 | Layout, Tank flush                   |
| 6. 943935-09 | Layout, Water heater connector       |
| 340085-06    | Clamp, Loop, Steel w/rubber, 3/4"    |
| 365330-01    | Silicone, White                      |
| 382500       | Press fit sealing grommet, 1/2" pipe |

# 2022 BAMBI PLUMBING, FRESH WATER

## Fresh Water Lines, 22'



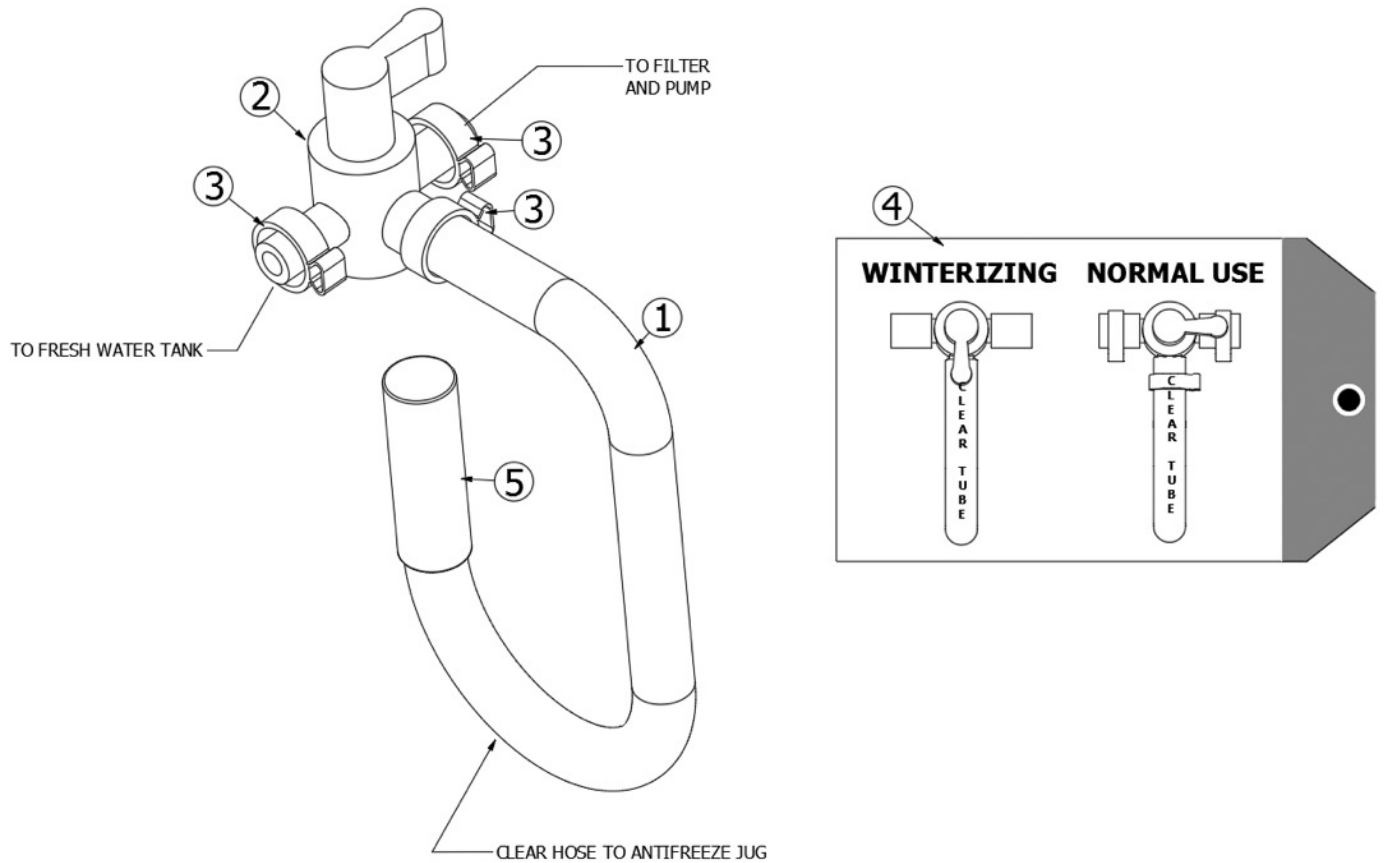
112964-01

Fresh Water Layout

- |   |   |
|---|---|
| <ul style="list-style-type: none"> <li>1. 943903-11</li> <li>2. 943903-02</li> <li>3. 943903-03</li> <li>4. 943903-04</li> <li>5. 943903-05</li> <li>6. 943903-06</li> <li>7. 943903-07</li> <li>8. 943903-18</li> <li>9. 943903-19</li> <li>340085-06</li> </ul> | <ul style="list-style-type: none"> <li>Layout, Toilet line</li> <li>Layout, Galley cold</li> <li>Layout, Galley hot</li> <li>Layout, Fresh water feed</li> <li>Layout, LPD, Exterior shower, Toilet</li> <li>Layout, Black tank flush</li> <li>Layout, Rear RS hot</li> <li>Layout, Cold CS</li> <li>Layout, Hot CS</li> <li>Clamp, Loop, Steel w/rubber, 3/4"</li> </ul> |
|---|---|

# 2022 BAMBI PLUMBING, FRESH WATER

## Winterization Kit



112814

### Winterization Kit Installation

1. 601240-01
2. 602711
3. 601698-15
4. 365453
5. 602801

Tubing 1/2 I.D. x 3/32 Wall Thick  
Valve-3 Way Bypass .5" PEx #32788  
1/2 CRIMP RING #14785  
Tag-Instruction - Winterization Kit  
Cap, 5/8" ID, Winterization Kit

## 2022 BAMBI PLUMBING, DRAIN SYSTEM

### Sinks and Shower, 16', 19'

602827	Sink, Single bowl, SS, 13 x 15
204101	Sink cover
601358	Shower hardware unit, Chrome
601829	Trim kit, Shower, Chateau, Chrome

### Sinks and Shower, 20', 22'

602172	Sink, SS, 16 x 27
601804-01	Sink, 12" SS Round with Studs
203736	Sink cover, Natural
601358	Shower hardware unit, Chrome
601829	Trim kit, Shower, Chateau, Chrome

### Black and Grey Tanks

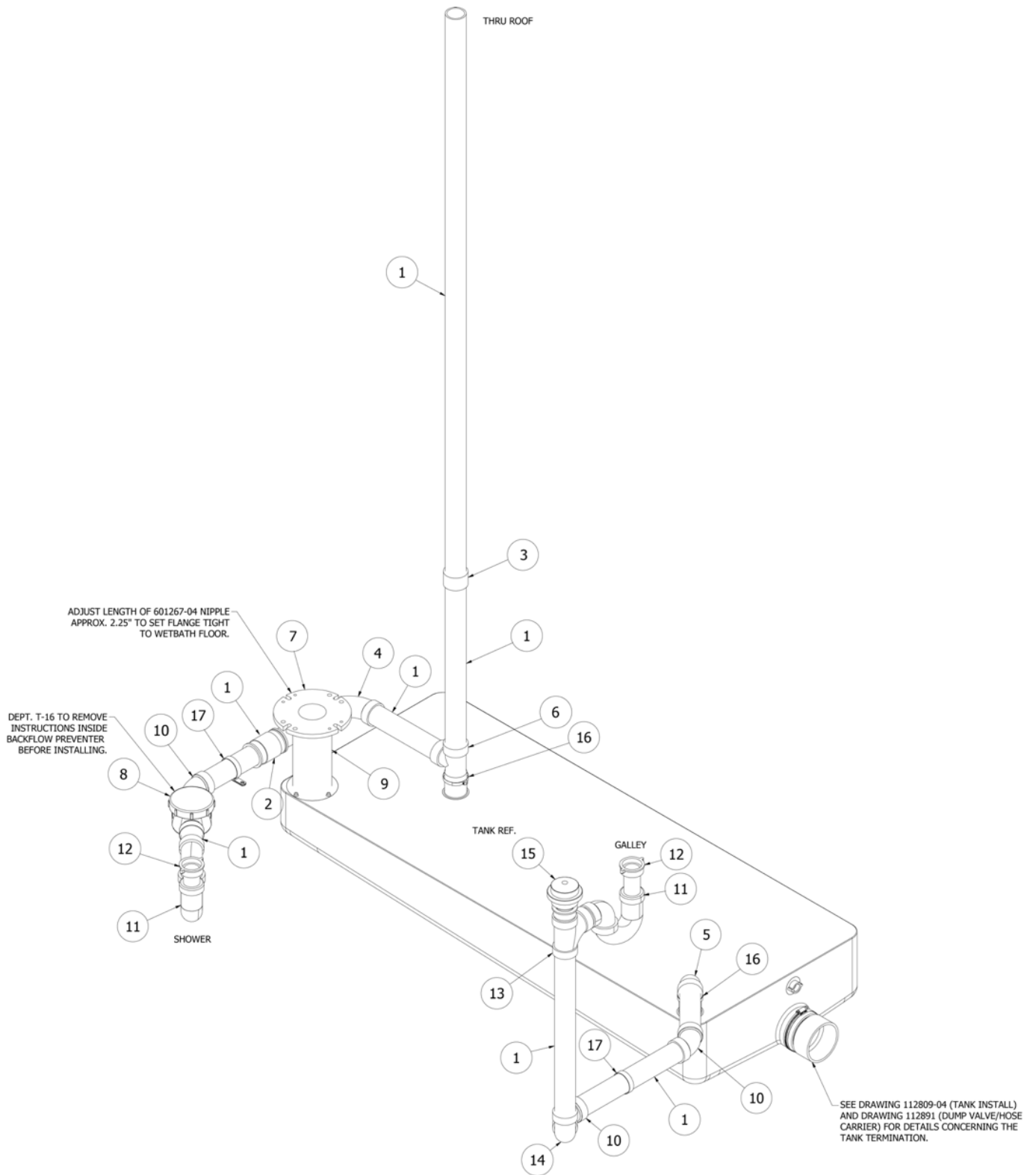
602797-4	Gray/Black tank, 16'
455638	Tank Pan- Grey, 16'
602797-3	Gray Tank, 19'
602797-2	Gray Water Tank, 20'
602797-1	Gray Water Tank, 22'
455508	Gray Tank Pan, 19', 20', 22'
602793-2	Black tank, 19'
602793-3	Black tank, 20'
602793-1	Black tank, 22'

### Black Tank Flush

601441-02	Black tank flush system
601392-01	Screw in black cap
365477	Decal - Black Tank Flush

# 2022 BAMBI PLUMBING, DRAIN SYSTEM

Drain, Above Floor, 16'



Parts Listed on Next Page



## 2022 BAMBI PLUMBING, DRAIN SYSTEM

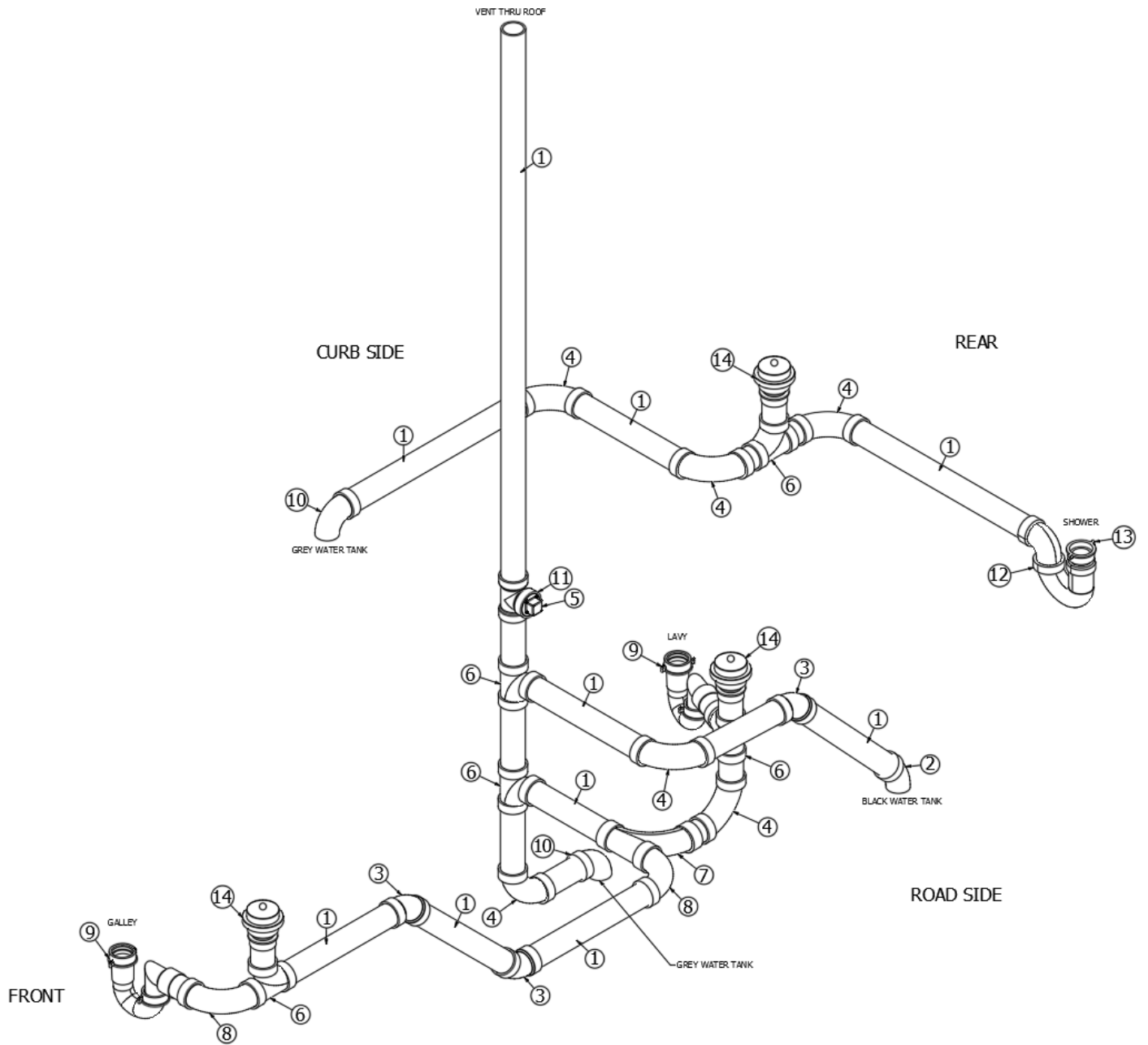
### Drain, Above Floor, 16'

943889                      Above Floor Drain System

1. 601160-02              Pipe, ABS, DVW, 1.5"
2. 602201                Coupling, Flexible, 1.5"
3. 600227                Plastic couplings
4. 600035                ELL- ABS Long Sweep 1-1/2
5. 600662                Elbow, 45°, long turn
6. 601868                Sanitary tee, SPIG x Hub x Hub
7. 601266                Flange, 3 x 4, Slip fit
8. 602720                Backflow preventer
9. 601267-04            Nipple, 3" Dia. THD one, 10" long
10. 600030                Elbow, 45°, ABS
11. 602164-01            P-trap w/compression nut
12. 602164-02            Tailpiece w/nuts and washers
13. 600156                Tee, Sanitary, 1.5"
14. 600431                Elbow, 90° street, ABS
15. 602306                2" air admittance valve
16. 340084-28            Hose clamp, 2.25"
17. 340085-11            Clamp, Loop, Steel w/rubber, 2"
- 360005-01            Corlon cement

# 2022 BAMBI PLUMBING, DRAIN SYSTEM

Drain, Above Floor, 19'



Parts Listed on Next Page

## 2022 BAMBI PLUMBING, DRAIN SYSTEM

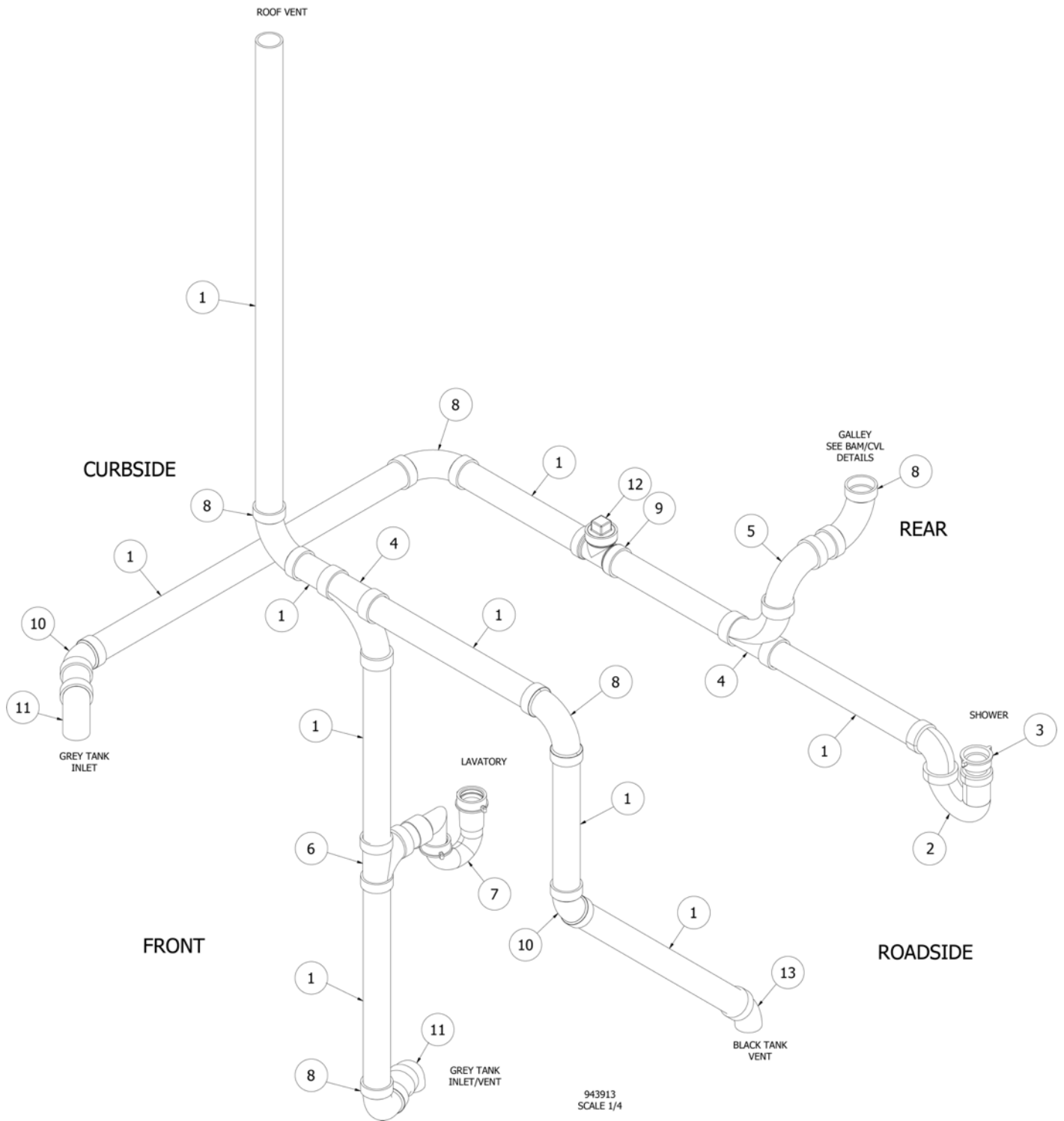
### Drain, Above Floor, 19'

943917                      Above Floor Drain System

1. 601160-02                      Abs Pipe, 1.5in.
2. 600027                      Elbow Abs Long St 45 Degrees
3. 600030                      Ell- Abs 45 Degrees Lg Turn
4. 600035                      Ell- Abs Long Sweep 1-1/2
5. 600155                      Plug, Cleanout 1-1/2
6. 600156                      Tee- Sanitary 1.5"
7. 600182                      Wye, 1.5 x 1.5 x 1.5, 1/8 Bend, Abs
8. 600431                      St. Elbow, 1.5in. xlt 90 Degree
9. 600622                      'P' Trap - 1.5in W/Slip Nut & Washer
10. 600662                      1 1/2" Elbow, Short Radius
11. 601318                      Tee, Bi-Directional Cleanout 1-1/2
12. 602164-01                      P Trap W/Compression Nut 1.5"
13. 602164-02                      Tailpiece W/Nuts & Washers 1.5"
14. 602306                      Valve-2" Air Admittance Ayrlett

# 2022 BAMBI PLUMBING, DRAIN SYSTEM

Drain, Above Floor, 20'



943913  
SCALE 1/4

Parts Listed on Next Page

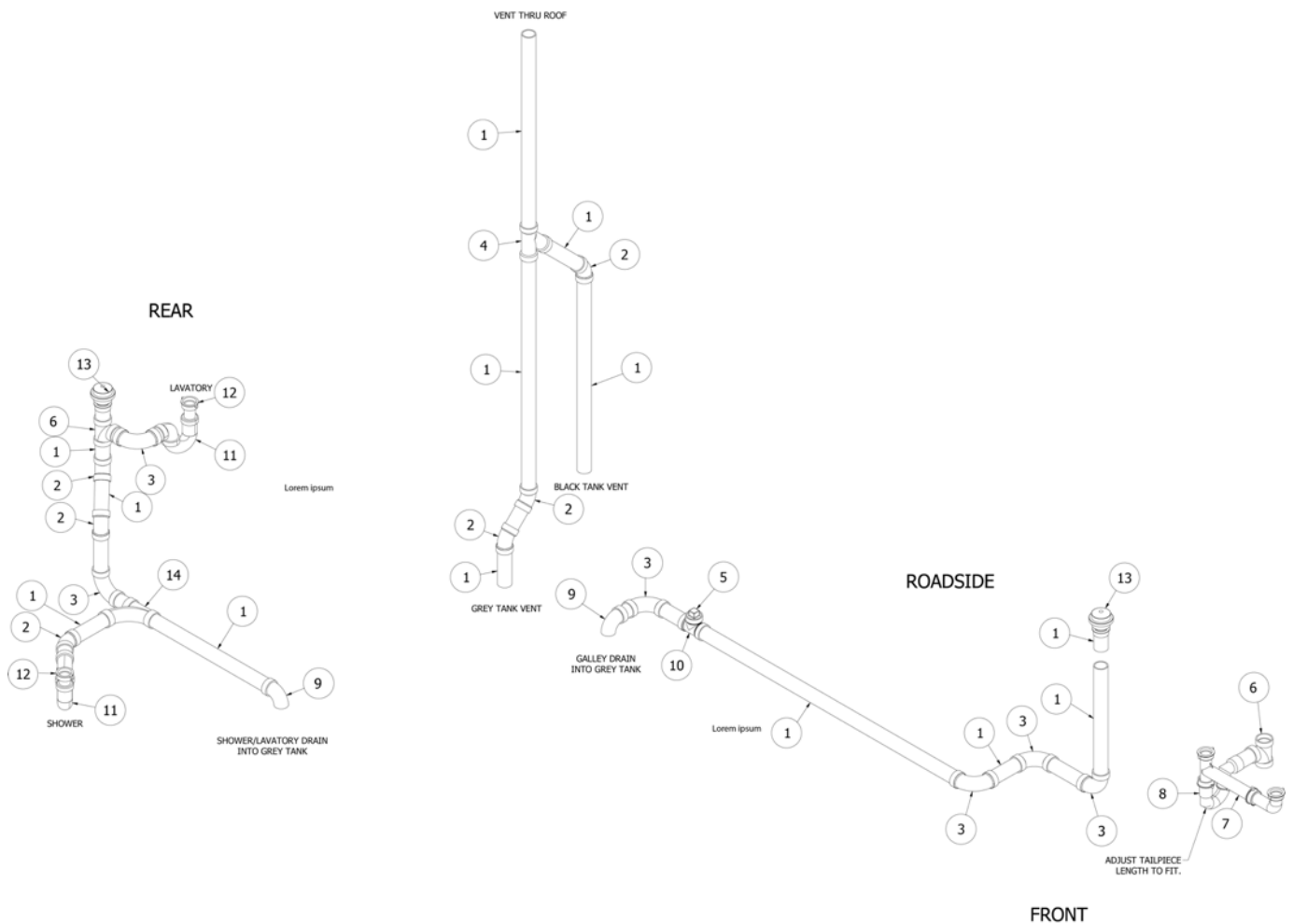
## 2022 BAMBI PLUMBING, DRAIN SYSTEM

### Drain, Above Floor, 20'

943913-01	Above Floor Drain System
1. 601160-02	ABS Pipe, 1.5IN.
2. 602164-01	P Trap W/Compression Nut 1.5"
3. 602164-02	Tailpiece W/Nuts & Washers 1.5"
4. 600182	WYE, 1.5 x 1.5 x 1.5, 1/8 Bend, ABS
5. 600431	WYE, 1.5 x 1.5 x 1.5, 1/8 Bend, ABS
6. 600156	Tee, Sanitary 1.5IN x 1.5IN. x 1.5IN
7. 600622	'P' Trap - 1.5IN W/Slip Nut & Washer
8. 600035	Elbow, 1.5 IN. xLT 90 Degree
9. 601318	Tee, Bi-Directional Cleanout 1-1/2
10. 600030	ELL- ABS 45 Degrees Long Turn
11. 600662	1 1/2" Elbow, Short Radius
12. 600155	Plug, Cleanout 1-1/2
13. 600027	Elbow ABS Long St 45 Degrees

# 2022 BAMBI PLUMBING, DRAIN SYSTEM

## Drain, Above Floor, 22'



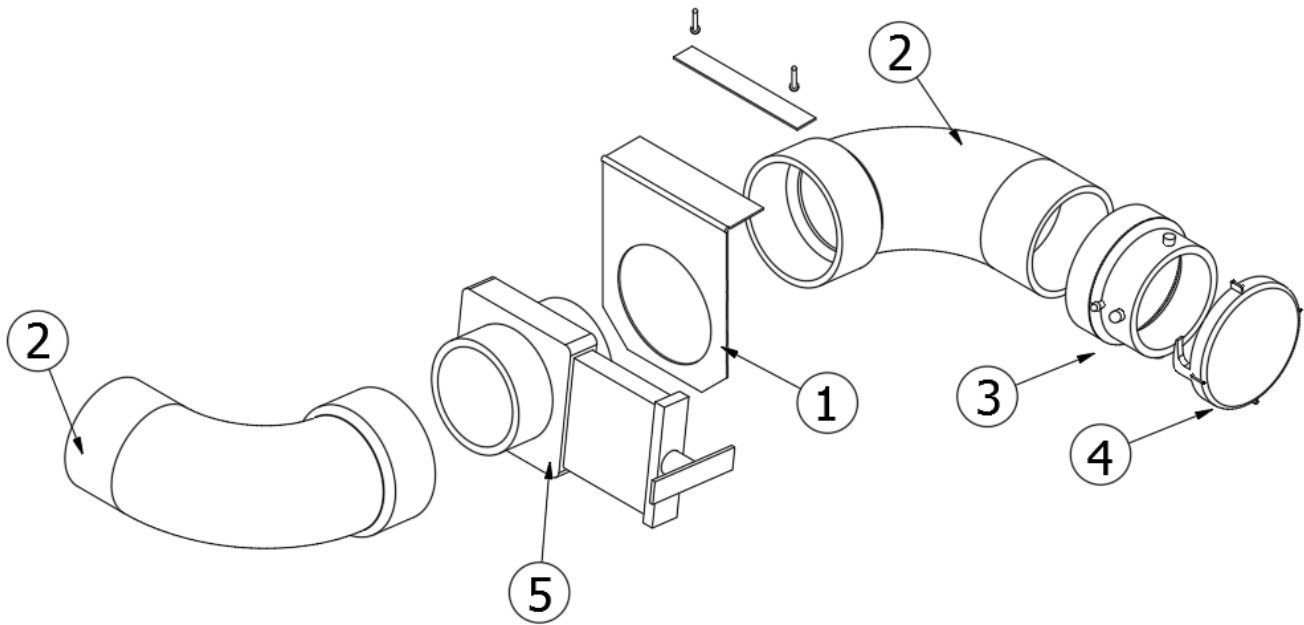
943900-01

Above Floor Drain System

- |               |                                      |
|---------------|--------------------------------------|
| 1. 601160-02  | ABS PIPE, 1.5IN.                     |
| 2. 600030     | Elbow, 1.5 IN. 45°                   |
| 3. 600035     | Elbow- ABS Long Sweep 1-1/2          |
| 4. 600094     | WYE, 45° 1-1/2IN                     |
| 5. 600155     | Plug, Cleanout 1-1/2                 |
| 6. 600156     | Tee, Sanitary 1.5IN x 1.5IN. x 1.5IN |
| 7. 600378     | Continuous Waste, 1-1/2IN.           |
| 8. 600622     | 'P' TRAP - 1.5IN W/SLIP Nut & Washer |
| 9. 600662     | 1 1/2" Elbow, Short Radius           |
| 10. 601318    | Tee, Bi-Directional Cleanout 1-1/2   |
| 11. 602164-01 | P Trap W/Compression Nut 1.5"        |
| 12. 602164-02 | Tailpiece W/Nuts & Washers 1.5"      |
| 13. 602306    | Valve-2" Air Admittance Ayrlett      |
| 14. 600182    | WYE, 1.5 x 1.5 x 1.5, 1/8 Bend, ABS  |

# 2022 BAMBI PLUMBING, DRAIN SYSTEM

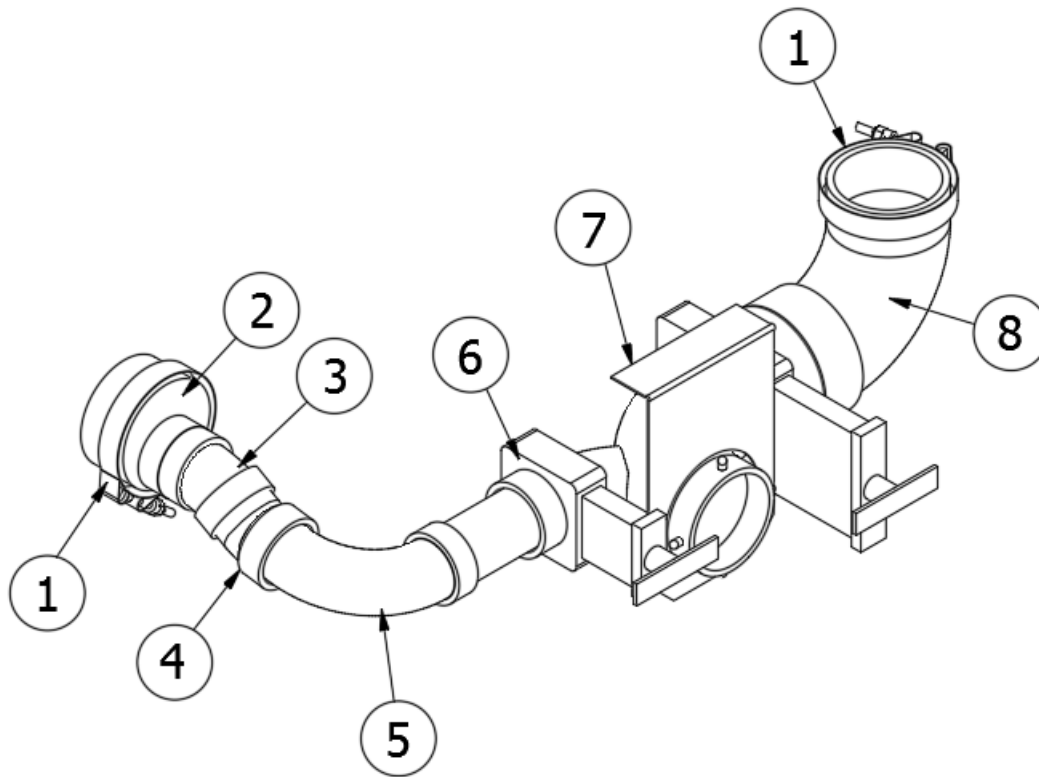
Tank Drain, 16'



- |              |                                  |
|--------------|----------------------------------|
| 1. 115555    | Bracket-Dump Valve               |
| 2. 600820    | 3" Single Socket 90 degree       |
| 3. 601607-06 | Term. Adaptor - 3" Hub x 3" Bay  |
| 4. 601607-07 | Termination Cap - 3" Bay         |
| 5. 601607-14 | Valve Assy-3"SPIG x 3"SPIG #T40A |

# 2022 BAMBI PLUMBING, DRAIN SYSTEM

## Tank Drain, 19'

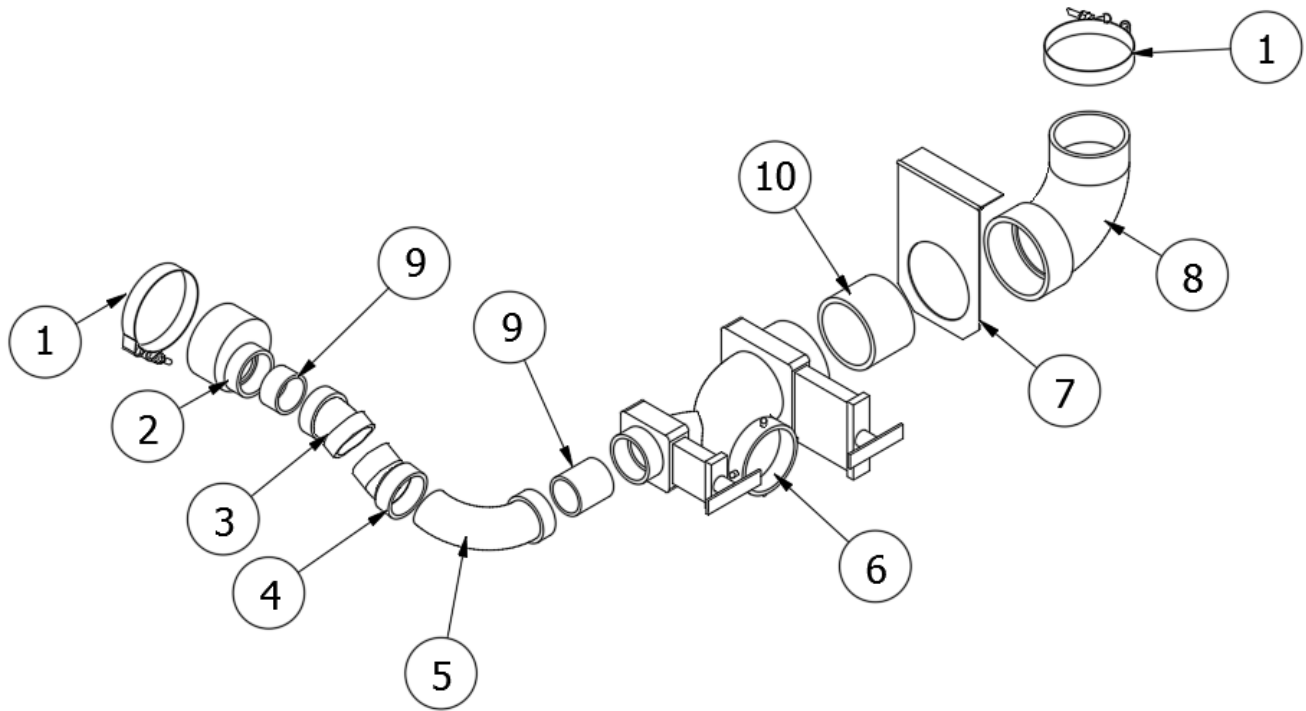


- |               |                                     |
|---------------|-------------------------------------|
| 1. 340092     | Clamp, Worm Type T40C-75-388-SB     |
| 2. 195329-229 | Reducer Adaptor 3" TO 1.5"          |
| 3. 600116     | 1 1/2 IN Corlon 22 1/2 Degree Elbow |
| 4. 601800     | ST ELL- 1.5" 22.5D ABS SPIGXHUB     |
| 5. 600431     | St. Elbow, 1.5in. xlt 90 Degree     |
| 6. 601482     | Dump Valve Rotating Assy.           |
| 7. 115555     | Bracket, Dump valve                 |
| 8. 601531     | Fitting-90 Degree 3" H x ST         |



## 2022 BAMBI PLUMBING, DRAIN SYSTEM

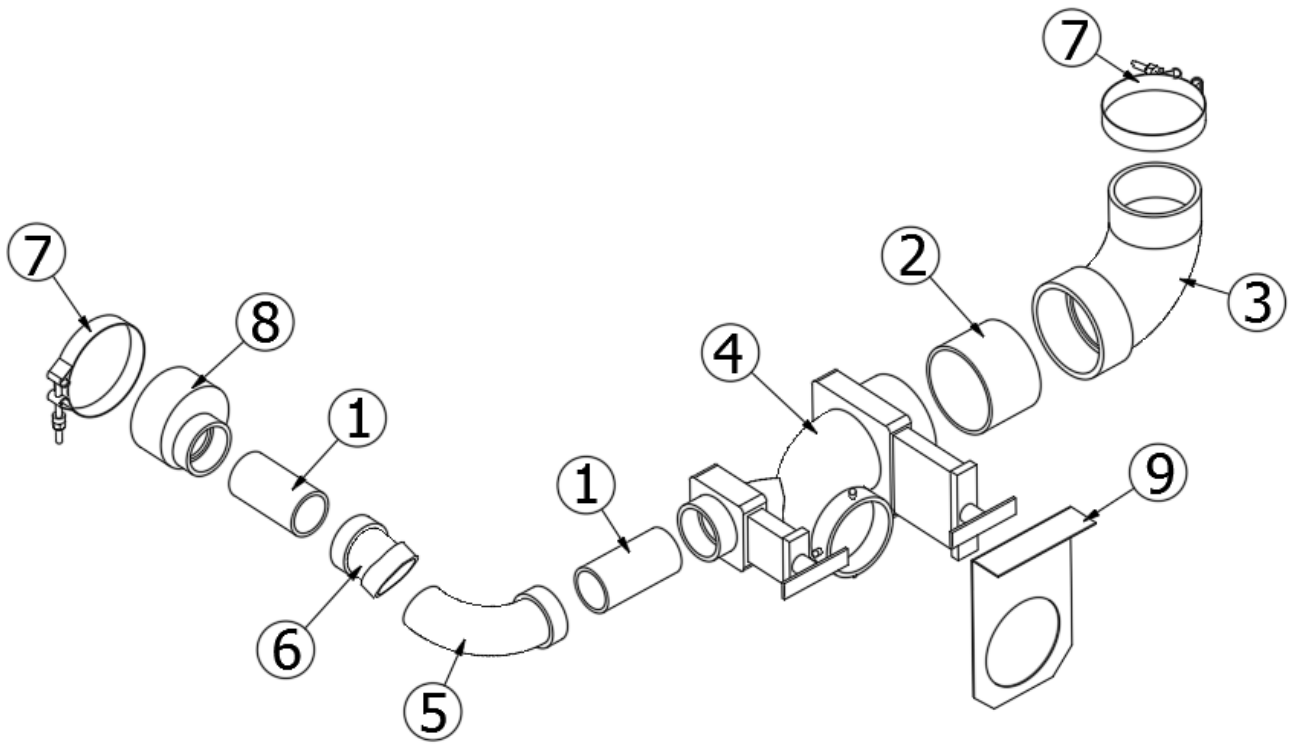
### Tank Drain, 20'



- |               |                                      |
|---------------|--------------------------------------|
| 1. 340092     | Clamp, T-Bolt                        |
| 2. 195329-229 | Reducer Adapter, 3" to 1 1/2"        |
| 3. 600116     | 1 1/2" Corlon, 22 1/2° Elbow         |
| 4. 601800     | Elbow, 22.5 Degrees Street, 1.5" ABS |
| 5. 600431     | Elbow, 90° Street, ABS               |
| 6. 601482     | Dump Valve Rotating                  |
| 7. 115555     | Bracket, Dump valve                  |
| 8. 601531     | Elbow 90° 3" DWV Street              |
| 9. 601160-02  | Pipe, ABS DWV 1 1/2"                 |
| 10. 601160-04 | Pipe, ABS DWV 3"                     |

# 2022 BAMBI PLUMBING, DRAIN SYSTEM

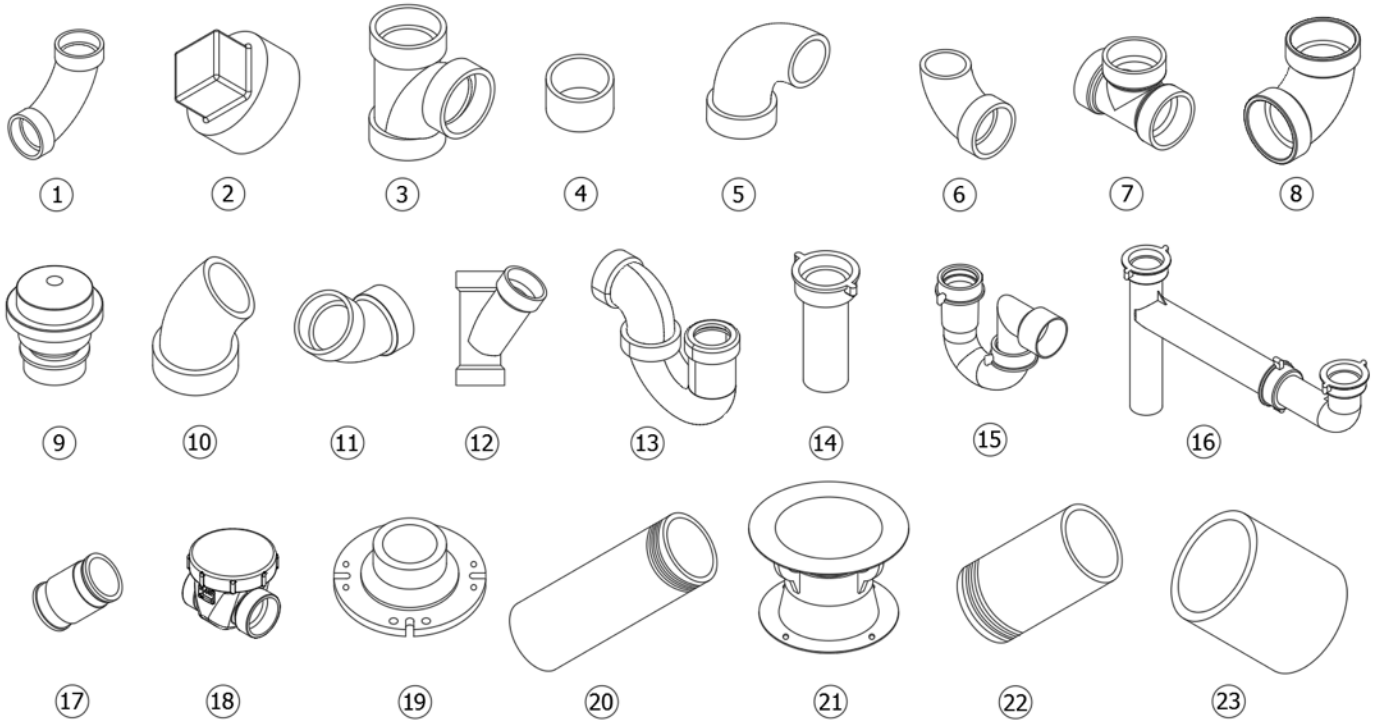
## Tank Drain, 22'



- |               |                               |
|---------------|-------------------------------|
| 1. 601160-02  | Pipe, ABS DWV 1 1/2"          |
| 2. 601160-04  | Pipe, ABS DWV 3"              |
| 3. 601531     | Elbow 90° 3" DWV Street       |
| 4. 601482     | Dump Valve Rotating           |
| 5. 600431     | Elbow, 90° Street, ABS        |
| 6. 600116     | 1 1/2" Corlon, 22 1/2° Elbow  |
| 7. 340092     | Clamp, T-Bolt                 |
| 8. 195329-229 | Reducer Adapter, 3" to 1 1/2" |
| 9. 115555     | Bracket, Dump valve           |

# 2022 BAMBI PLUMBING, DRAIN SYSTEM

## Drain Fittings



- |               |  |
|---------------|--|
| 1. 600035     | Elbow, 1.5", 90°, Long sweep               |
| 2. 600155     | Plug, 1.5"                                 |
| 3. 600156     | Tee, Sanitary                              |
| 4. 600227     | Coupling, 1.5"                             |
| 5. 600431     | Elbow, 90°, long street                    |
| 6. 600662     | Elbow, 1.5", 90°, Short radius             |
| 7. 601318     | Tee, Bi-directional clean out, 1.5"        |
| 8. 601636     | Elbow, 90°, Short sweep                    |
| 9. 602306     | Valve, Air admittance, 2"                  |
| 10. 600027    | Elbow, ABS, Long St, 45°                   |
| 11. 600030    | Elbow, ABS, 45°, Long turn                 |
| 12. 600094    | Wye  |
| 13. 602164-01 | P-trap w/compression nut, 1.5"             |
| 14. 602164-02 | Tailpiece w/nuts & washers, 1.5"           |
| 15. 600622    | P-trap w/slip nut & washer, 1.5"           |
| 16. 600378    | Continuous waste, 1.5"                     |
| 17. 602201    | Coupling-Flexible 1.5" #A256-15            |
| 18. 602720    | Valve-Sanitary Check 1.5" ABS #3281        |
| 19. 601266    | Flange, Closet, 3 x 4, SLIP FIT            |
| 20. 601267-04 | Nipple 3" Diameter Threaded One end 10" LG |
| 21. 690700-01 | Cap-Tank Vent White #54062                 |
| 22. 601267-02 | Nipple Threaded One End Only 6"            |
| 23. 601160-02 | Pipe, ABS DVW, 1.5"                        |

**2022 BAMBI  
PLUMBING, DRAIN SYSTEM**

**Toilet, 16'**

690715-01	Toilet w/o hand sprayer
601266	Flange, 3 x 4, Slip fit

**Toilet, 19', 20', 22'**

690495-02	Aqua Magic V, Low Profile, White
601266	Flange, 3 x 4, Slip fit

## 2022 BAMBI SEALERS AND GASKETS

### Sealers

360001	Sealant, #884058
360209	Sealant, seam
360180	Sealant, Sika-flex, gray
360180-04	Sealant, Sikaflex #221, black
365330-01	Sealant, Adseal, White
365330-03	Sealant, Adseal, Aluminum Grey
365330-04	Sealant, Adseal, Black
365330-05	Sealant, Adseal, White self-level
360258	Sealant, Acrylic Latex Caulk
28433W	Walbernize Super Seal
28430W-01	Sealant, Acryl-R, Gray, 16 oz. can

### Gaskets

382737	Gasket, Compartment door
365013-01	Tape, Foam-screen door, charcoal
365232	Gasket main door
381665	Gasket, D-seal, Black
382117	Gasket, Window Rectangle -
365016	Tape, foam, double face, 1/2" wide
365001	Tape, double coated foam
685510	Seam Tape, Black 1/32" x 7/8" x 200
683946	Bug Seal, edge of screen door close out
382074	Gasket, grab handle, main door
365222	Tape Double Coated,.08 x 3/4"
365409	Gasket, Solar panel bracket
365392	Gasket, Backup camera

## 2022 BAMBI BEDDING, MATTRESSES

### Pillow Kit, Dune, 16', 19', 20'

704655-75	Kit, Bedding & Accent Pillows - Dune
704655-375	Shams - Dune - 20"x26"
704655-475	Duvet - Dune - 60"x82"
704655-1	Accent Pillow 18x18
704655-2	Accent Pillow 12x20

### Pillow Kit, Ocean, 16', 19', 20'

704655-76	Kit, Bedding & Accent Pillows - Ocean
704655-376	Shams - Ocean - 20"x26"
704655-476	Duvet - Ocean - 60"x82"
704655-1	Accent Pillow 18x18
704655-2	Accent Pillow 12x20

### Pillow Kit, Dune, 22'

704654-75	Kit, Bedding & Accent Pillows - Dune
704654-375	Shams - Dune - 20"x26"
704654-475	Duvet - Dune - 66"x88"
704654-1	Accent Pillow 18x18
704654-2	Accent Pillow 12x20

### Pillow Kit, Ocean, 22'

704654-76	Kit, Bedding & Accent Pillows - Ocean
704654-376	Shams - Ocean - 20"x26"
704654-476	Duvet - Ocean - 66"x88"
704654-1	Accent Pillow 18x18
704654-2	Accent Pillow 12x20

### Pillow, Bed

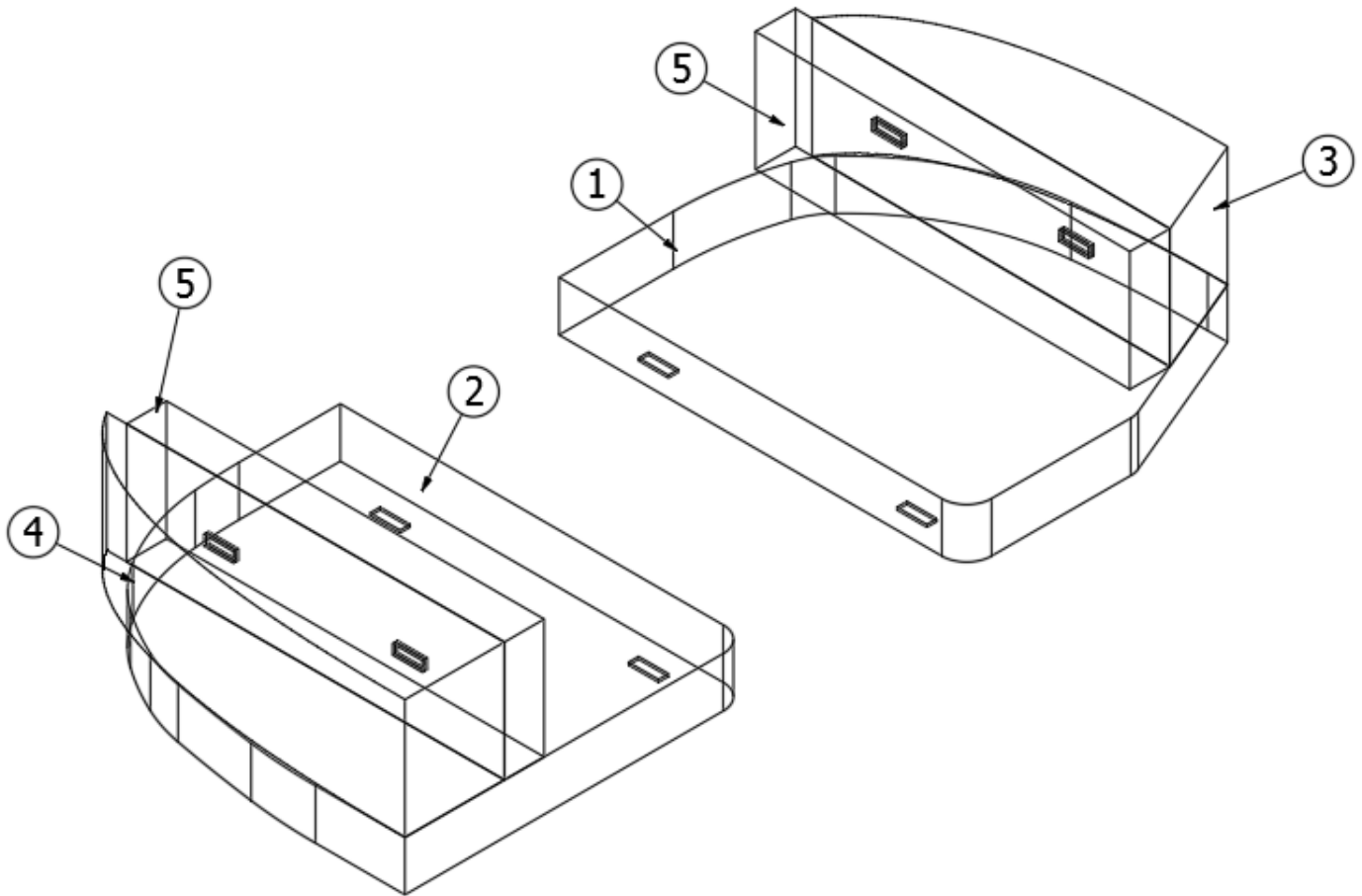
703987	Pillow, Bed, Plump poly fill 20" x 30"
--------	--

### Mattress

704128	Mattress, Pillowtop, Foam core, 47.5" x 78", 16', 20'
704129	Mattress-Pillow Top 48x76 Corner Double, 19'
704606	Mattress Pillow-Top, 54 x 79.65 Crossbed - 22'

# 2022 BAMBI UPHOLSTERY, FOAM, CUSHIONS

Dinette Seat Cushion Kits, 16', 19'



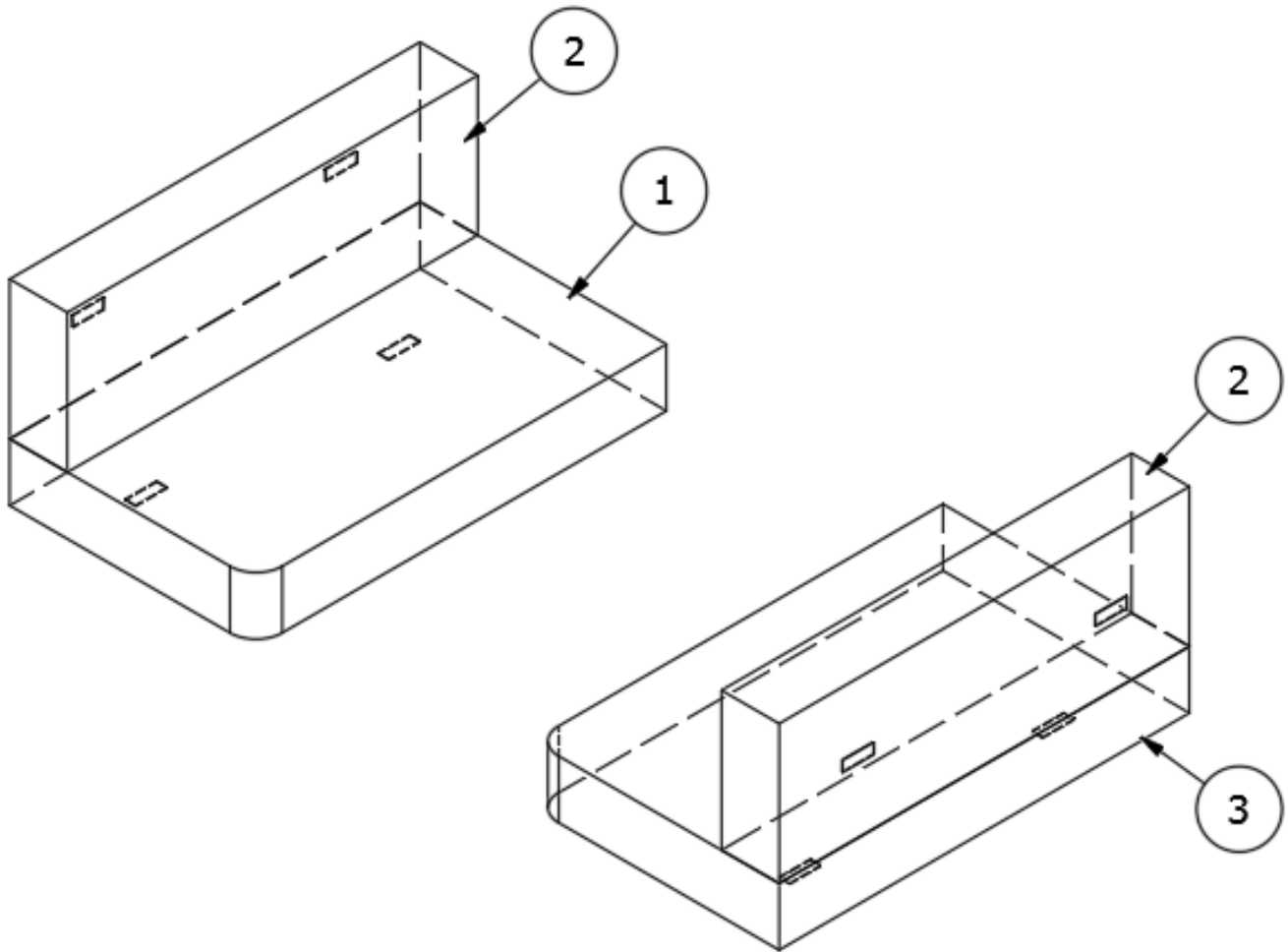
704667C  
704667D

Kit-Foam/UL-Dinette Cushions - Ocean  
Kit-Foam/UL -Dinette Cushions- Dune

- |              |                         |
|--------------|-------------------------|
| 1. 704667C-1 | CS Dinette Seat - Ocean |
| 704667D-1    | CS Dinette Seat - Dune  |
| 2. 704667C-2 | RS Dinette Seat - Ocean |
| 704667D-2    | RS Dinette Seat - Dune  |
| 3. 704667C-3 | CS Back Filler - Ocean  |
| 704667D-3    | CS Back Filler - Dune   |
| 4. 704667C-4 | RS Back Filler - Ocean  |
| 704667D-4    | RS Back Filler - Dune   |
| 5. 704667C-5 | RS/CS Back Rest - Ocean |
| 704667D-5    | RS/CS Back Rest - Dune  |

# 2022 BAMBI UPHOLSTERY, FOAM, CUSHIONS

## Dinette Seat Cushion Kit, 20'



704666D  
704666O

Kit-Foam/Performtex -Dinette- Dune  
Kit-Foam/Performtex -Dinette- Ocean

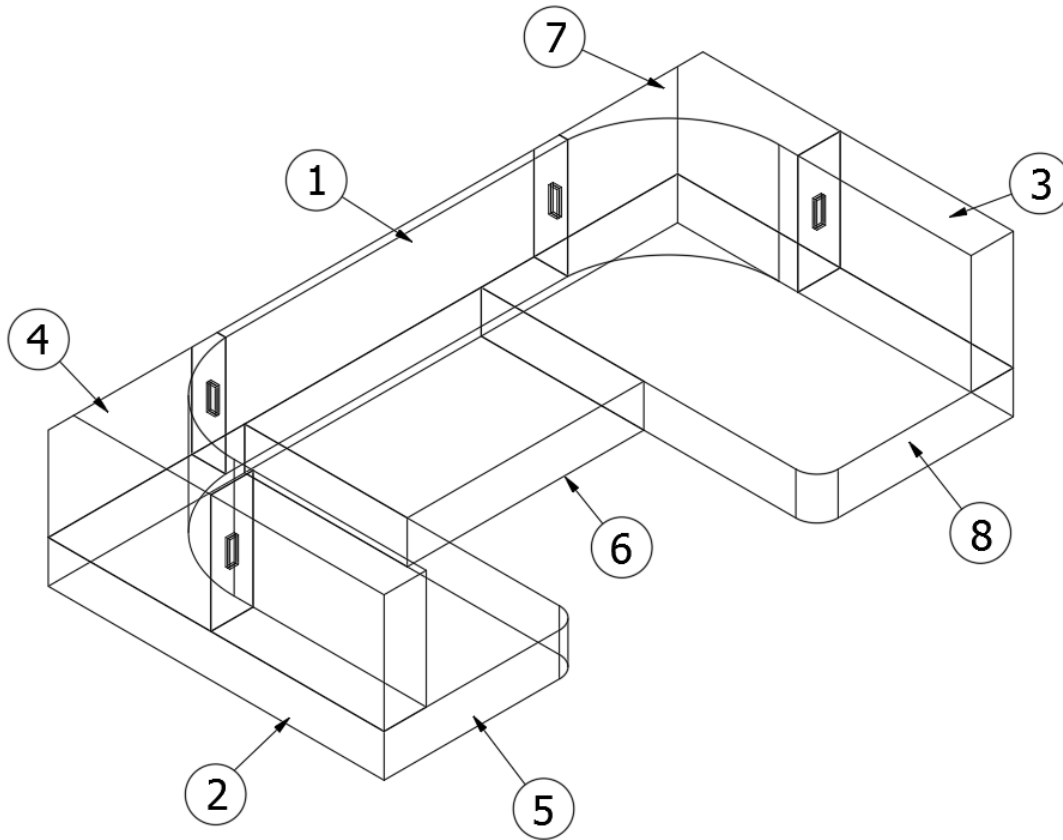
1. 704666D-1  
704666O-1
2. 704666D-2  
704666O-2
3. 704666D-3  
704666O-3

Seat Bottom Rear - Dune  
Seat Bottom Rear- Ocean  
Backrest - Dune  
Backrest - Ocean  
Seat Bottom Front- Dune  
Seat Bottom Front- Ocean



# 2022 BAMBI UPHOLSTERY, FOAM, CUSHIONS

## Dinette Seat Cushion Kit, 22'



704662D  
704662C

Kit-Foam/Perfortex - U-Dinette- Dune  
Kit-Foam/Perfortex - U-Dinette- Ocean

- |              |                               |
|--------------|-------------------------------|
| 1. 704662D-1 | Middle Backrest – Dune        |
| 704662C-1    | Middle Backrest - Ocean       |
| 2. 704662D-2 | Side Backrest Fwd – Dune      |
| 704662C-2    | Side Backrest Fwd - Ocean     |
| 3. 704662D-3 | Side Backrest Aft – Dune      |
| 704662C-3    | Side Backrest Aft - Ocean     |
| 4. 704662D-4 | Corner Backrest Aft – Dune    |
| 704662C-4    | Corner Backrest Aft - Ocean   |
| 5. 704662D-5 | Seat Bottom - Fwd – Dune      |
| 704662C-5    | Seat Bottom - Fwd - Ocean     |
| 6. 704662D-6 | Seat Bottom - Center – Dune   |
| 704662C-6    | Seat Bottom - Center - Ocean  |
| 7. 704662D-7 | Corner Back Rest - Fwd- Dune  |
| 704662C-7    | Corner Back Rest - Fwd- Ocean |
| 8. 704662D-8 | Seat Bottom -Aft- Dune        |
| 704662C-8    | Seat Bottom -Aft- Ocean       |

# 2022 BAMBI UPHOLSTERY, FOAM, CUSHIONS

## Décor Boards, Dune

### Interior Decor DUNE



802037-01 - Laminate: White Cypress  
Where used: furniture



802038 - Laminate: Linen  
Where used: roof lockers,  
countertops, table



802409 - Laminate: Grey Slate  
Where used: accent walls  
365427-02 - Edgeband: Citadel



704651 - Seating  
Where Used: Dinette  
Pattern: O-Fiddlestix  
Color: Linen Mix



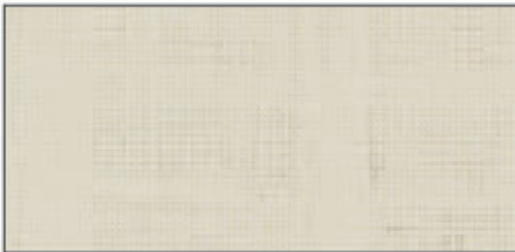
704642 - Accent Pillows (x4)  
Where Used: bed and dinette  
Pattern: Irreplaceable  
Color: Indigo



704505 - Window Covering Fabric  
Where Used: bedroom only  
Pattern: Duet  
Color: Snow



704652 - Flooring  
Where used: all floors  
Color: Natural Oak



704645 - Bedspread  
Where Used: Bedding  
Pattern: Raffia  
Color: Beige

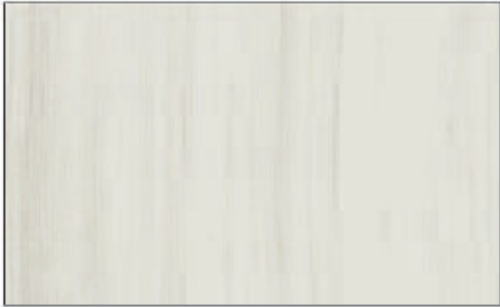


704641 - Dividing Curtain Fabric  
Where Used: 2 panels at bed  
Color: Powder

# 2022 BAMBI UPHOLSTERY, FOAM, CUSHIONS

Décor Boards, Ocean

## Interior Decor OCEAN

802037-01 - Laminate: White Cypress  
Where used: furniture



802038 - Laminate: Linen  
Where used: roof lockers,  
countertops, table



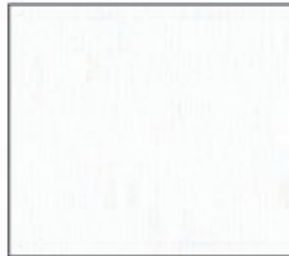
802409 - Laminate: Grey Slate  
Where used: accent walls  
365427-02 - Edgeband: Citadel



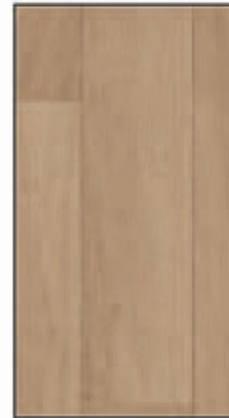
704650 - Seating  
Where Used: Dinette  
Pattern: O-Fiddletree  
Color: Navy



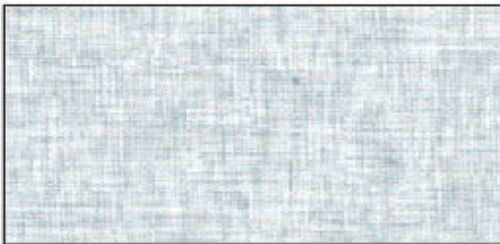
704642 - Accent Pillows (x4)  
Where Used: bed and dinette  
Pattern: Irreplaceable  
Color: Indigo



704505 - Window Covering Fabric  
Where Used: bedroom only  
Pattern: Duet  
Color: Snow



704652 - Flooring  
Where used: all floors  
Color: Natural Oak



704644 - Bedspread  
Where Used: Bedding  
Pattern: Raffia  
Color: Smoke



704641 - Dividing Curtain Fabric  
Where Used: 2 panels at bed  
Color: Powder

## 2022 BAMBI VENTS AND FANS

### Vent, Black Tank

690700-01	Vent pipe cover, White
382337	Gasket, Corlon, Vent Cap

### Vent, Roof

690266-01	Ventilator, 12V, White
690266-0400	Motor and inline fuse
690266-07	Trim ring, White
690266-08	Trim ring, Silver
690266-09	Ring, Power ventilator, White
690266-100	Motor
690266-101	Fan blade
690266-103	Handle, Polar White

### Exhaust Fan

512538	Vent, Exhaust only, Manual
512538-010	Screen
512538-011	Crank handle
512538-101	Motor
512538-102	Seal kit
512538-103	Rotary switch
382467-01	Gasket, Exhaust fan

# 2022 BAMBI

## PANELING, EDGEBANDING, LAUAN

### Plywood

800506-04 Plywood, ¾" x 4' x 8'  
801351 Lite Ply-18MM (.75") 4' x 8'

### Paneling

802037-01 Laminate - White Cypress 4x8 Vert  
802409-01 Laminate - Grey Slate 3156 - Vertical  
802038 Laminate - Linen 4x8 Horizontal  
802038-01 Laminate - Linen 4x8 Vert  
801438 Pre laminate, White Vinyl/Raw 2.7mm  
802054-01 Pre laminate, Wht Cypress/Wht Liner 12mm  
802425 Pre laminate, 12mm White Cypress/White Liner  
801392 Pre laminate, Whtliner/Whtliner 12mm  
802396 Pre laminate, Linen/Linen 12mm  
802053-01 Pre laminate, Wht Cypress/Wht Cypress  
802429 Pre laminate, Linen/White Liner 12mm  
802424 Pre laminate, 12mm White Cypress/White Liner  
801368 Pre laminate, Whtliner/Whtliner 18mm  
801378 Pre laminate, Wht Liner/Gator 18mm  
802394 Pre laminate, Linen/Linen 18mm  
802044-01 Pre laminate, Wht Cypress/Wht Liner  
802048-01 Pnl-Prema Wht Cypress/Wht Cypress 18mm  
802045 Pre laminate, Linen/Wht Horz 18mm

# 2022 BAMBI

## PANELING, EDGEBANDING, LAUAN

### Edgebanding

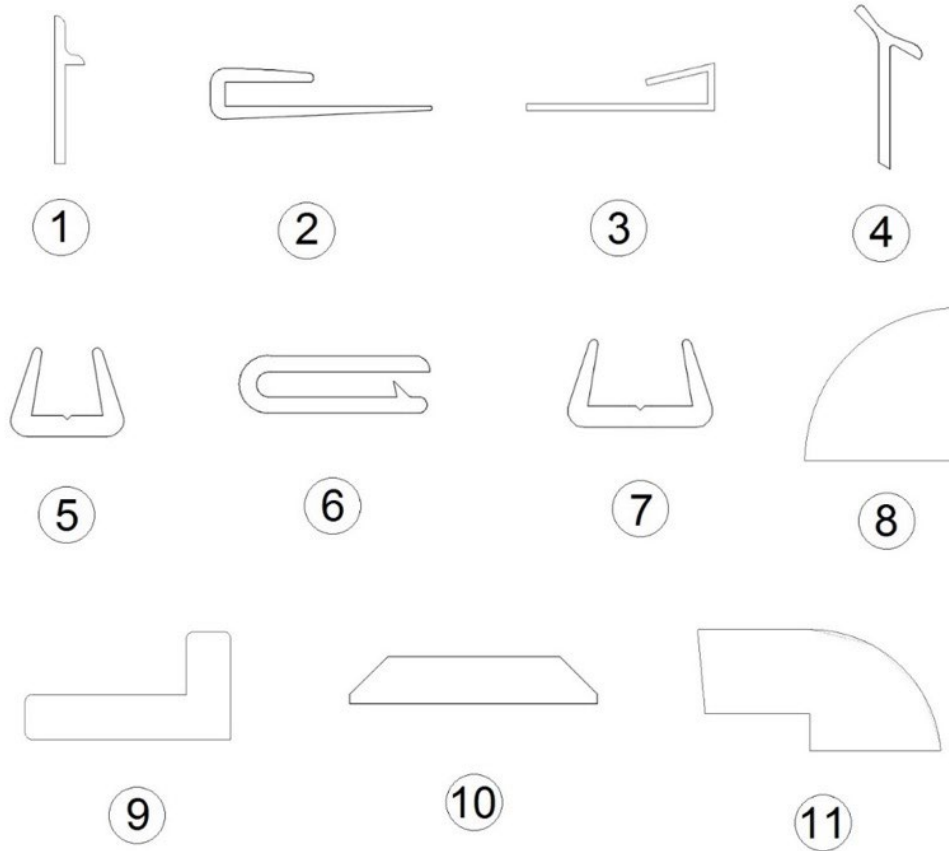
365385-01	Edgebanding, 5/8", White Cypress
365385-02	Edgebanding, 15/16" White Cypress
365385-03	Edgebanding- 1.25" - 1mm - White Cypress
365386-01	5/8" Edgebanding - 1mm - Linen
365386-02	15/16" Edgebanding - 1mm - Linen
365386-03	Edgebanding 1mm - Linen WD427
365427-01	Edgebanding 5/8" Citadel
365427-02	Edgebanding-15/16" Citadel
365427-03	Edgebanding- 1-1/4" Citadel
365484-02	Edgebanding - 15/16 - 2mm Citadel
365491-02	Edgebanding - 15/16 - 2mm Linen

### Lauan

800507-01	Panel, Lauan, 1/8 x 4' x 8'
800507-02	Panel, Lauan, 1/4" x 4' x 8', raw/raw
800507-03	Panel, Lauan, 3/8" x 4' x 8', raw/raw
800507-06	Panel, Lauan, .75" x 4' x 8', raw/raw

## 2022 BAMBI TRIMS

Trim



- |                 |  |
|-----------------|--|
| 1. 115064       | Trim, Aluminum countertop                  |
| 2. 114070       | J-molding, Mill finish                     |
| 3. 201666-01    | J-molding, 3/16", Plastic, White           |
| 4. 201673       | Reverse cove molding, White                |
| 5. 203138-01    | Extrusion, Panel edging, White             |
| 203138-03       | Extrusion, Panel edging, Beige             |
| 6. 203225       | Trim lock, .75", White                     |
| 7. 203464-02    | Extrusion, Panel, .75", Beige              |
| 203464-03       | Extrusion, Panel, .75", White              |
| 8. 800638-0129  | Molding, ¼ round, .5", White Cypress       |
| 9. 801665-WH    | L-molding, Door jamb, White                |
| 10. 801178-07   | Molding, Flat, .81", Frosty White          |
| 11. 801706-0029 | Corner trim, 90°, 1" radius, White Cypress |
| 801415-0029     | Corner Trim 1" Rad- White Cypress          |
| 203445-01       | T-molding, 9/16", White                    |
| 203597          | T Molding- White 13/16"                    |
| 382057-04       | Cap-Knockdown Wht #16387                   |
| 360406-02       | Fil Stik- White Cypress                    |