

adventure, inspired by
 **AIRSTREAM**

2018 BASECAMP Parts Book



2018 BASECAMP

SECTION I

APPLIANCES

<u>Air Conditioner</u>	I-1
<u>Furnace and Water Heater</u>	I-1
<u>Microwave</u>	I-1
<u>Range and Cooktop</u>	I-1
<u>Refrigerator</u>	I-1

EXTERIOR SHELL

<u>Front End</u>	I-2
<u>Aft End</u>	I-4
<u>Wall, Roadside</u>	I-6
<u>Wall, Curbside</u>	I-8
<u>Roof</u>	I-10
<u>Roof Trim</u>	I-11
<u>Underbelly Wraps</u>	I-12
<u>Body Protector</u>	I-12

INTERIOR SHELL

<u>Interior Skin</u>	I-13
<u>Main Door Threshold</u>	I-13

2018 BASECAMP

SECTION II

CHASSIS

<u>Axles</u>	II-1
<u>Tires and Wheels</u>	II-1
<u>Spare Tire Carrier</u>	II-1
<u>Step</u>	II-1
<u>Hose Carrier</u>	II-1
<u>Hitch Jack</u>	II-1
<u>Stabilizing Jacks</u>	II-1
<u>A-Frame</u>	II-1

DECALS, EXTERIOR TRIM

<u>Decals, Logos, and Nameplates</u>	II-2
<u>Keder Rail</u>	II-2
<u>Reflectors</u>	II-2

DOORS, WINDOWS, TENTS

<u>Main Door</u>	II-3
<u>Compartment Door</u>	II-3
<u>Rear Door</u>	II-4
<u>Rear Door Netting</u>	II-4
<u>Windows</u>	II-5
<u>Window Trim</u>	II-5
<u>Window Pillar Covers</u>	II-5
<u>Visor</u>	II-6
<u>Tents</u>	II-6

WINDOW SHADES

<u>Window Shades</u>	II-7
<u>Window Shades Hardware</u>	II-7

2018 BASECAMP

SECTION II

ELECTRICAL

110 Volt

<u>Shore Line Cord</u>	II-8
<u>Converter</u>	II-8
<u>Breakers</u>	II-8
<u>Junction Boxes</u>	II-8
<u>Receptacles and USB Ports</u>	II-8

12 Volt

<u>Battery and Battery Box</u>	II-9
<u>7-Way Cable</u>	II-9
<u>Switches</u>	II-9
<u>Battery Disconnect</u>	II-9
<u>Breakaway Switch</u>	II-9
<u>Monitor System</u>	II-9
<u>Breakers</u>	II-9
<u>Fuses</u>	II-10
<u>Solar Panel System</u>	II-10
<u>Interior Lights</u>	II-10
<u>Exterior Lights</u>	II-10
<u>Tail Lights</u>	II-11

2018 BASECAMP

SECTION III

FLOOR COVERINGS

<u>Floor Coverings</u>	III-1
------------------------------	-------

FURNITURE

STORAGE

<u>Overhead Storage Nets</u>	III-2
<u>Overhead Bars</u>	III-2
<u>Storage Bins</u>	III-2

LAVATORY

<u>Bath Modules</u>	III-3
<u>Bath Door</u>	III-5

GALLEY

<u>Galley Top</u>	III-6
<u>Galley Cabinet, CS</u>	III-7
<u>Galley Cabinet, RS</u>	III-11
<u>End Cabinet, CS</u>	III-15

LOUNGE

<u>Dinette Seat, Roadside</u>	III-19
<u>Dinette Seat, Curbside</u>	III-21
<u>Dinette Tables</u>	III-23
<u>Dinette Table Storage</u>	III-23

2018 BASECAMP

SECTION III

HARDWARE

<u>Main Door Latch with Deadbolt</u>	III-24
<u>Rear Door Latch and Lock</u>	III-24
<u>Interior Hinges</u>	III-24
<u>Exterior Hinges</u>	III-24
<u>Exterior Latches and Handles</u>	III-25
<u>Interior Latches and Handles</u>	III-25
<u>Head knocker</u>	III-26
<u>Bathroom Accessories</u>	III-26
<u>Clothesline</u>	III-26
<u>Rivets</u>	III-27
<u>Screws</u>	III-27

SAFETY EQUIPMENT

<u>Detectors and Fire Extinguishers</u>	III-28
---	--------

LABELS AND TAGS

<u>Labels and Tags</u>	III-29
------------------------------	--------

2018 BASECAMP

SECTION IV

PLUMBING

LPG SYSTEM

<u>LP Tank and Regulator</u>	IV-1
<u>LP Tank Cover</u>	IV-1
<u>LPG System</u>	IV-2
<u>Propane Port, Exterior</u>	IV-3

FRESH WATER SYSTEM

<u>Faucet, Galley</u>	IV-4
<u>Faucet, Shower</u>	IV-4
<u>City Water Hook-Up</u>	IV-4
<u>Fresh Water Tank Fill</u>	IV-4
<u>Water Pump</u>	IV-4
<u>Fresh Water Tank</u>	IV-4
<u>Fresh Water Fittings</u>	IV-5
<u>Fresh Water Lines</u>	IV-6

DRAIN SYSTEM

<u>Sink and Shower</u>	IV-7
<u>Black and Grey Tank</u>	IV-7
<u>Drain System</u>	IV-8
<u>Toilet</u>	IV-9

HEATING SYSTEM

<u>Heat System</u>	IV-10
--------------------------	-------

SEALERS, GASKETS

<u>Sealers</u>	IV-11
<u>Gaskets</u>	IV-11

2018 BASECAMP

SECTION IV

UPHOLSTERY, ULTRALEATHER

<u>Dinette Seat Cushions</u>	IV-12
<u>Décor Boards</u>	IV-13

VENTS, FANS

<u>Vent, Battery</u>	IV-14
<u>Vent, Black Tank</u>	IV-14
<u>Vent, Refrigerator</u>	IV-14
<u>Vent, Roof</u>	IV-14
<u>Exhaust Fan</u>	IV-14

PANELING, EDGEBANDING, LAUAN

<u>Paneling</u>	IV-15
<u>Edgebanding</u>	IV-15
<u>Lauan</u>	IV-15
<u>Plywood</u>	IV-15

TRIMS

<u>Trim</u>	IV-16
-------------------	-------

2018 BASECAMP APPLIANCES

Air Conditioners

690708-01	Air conditioner, Mach 8, 9.2 Polar Cub
690708-02	Heat strip
690708-04	Deluxe cool/heat ready, White
690708-06	Drain kit
690708-100	Filter
601240-01	Black drain tubing, .5"

Furnace and Water Heater

690705	Forced air furnace & water heater, Truma Combi Eco Plus
690705-0500	CP Plus Control Panel
*690705-09	Accessory kit
690705-01	Drain valve
690705-02	Adapter
690705-03	Cold water connection
690705-04	Hot water connection w/vent
690705-06	Room temperature sensor
690705-07	Interface cable
690705-100	Non-return valve, .5"
690705-101	Fuse, 10 amp slo-blow
**690704-03	Exterior furnace wall cowl, Black
690704-26	Cowl-Wall Inner
690704-27	Cowl-Wall Outer Part Black
690704-09	End outlet nut
690704-10	End outlet, Black
690704-18	Lamella insert, Black
690704-2400	Cover, CP Plus
513028	Tank heater switch, Black

*Replaced 690705-08 accessory kit on October 19, 2017

**690704-03 Separated into 2 parts, 690704-26 Inner Cowl and
690704-27 Outer Cowl, August 2018

Microwave

690648-02	Microwave, Stainless Steel, Contoure
-----------	--------------------------------------

Range and Cooktop

690576	Cooktop, 2 Burner, SMEV
--------	-------------------------

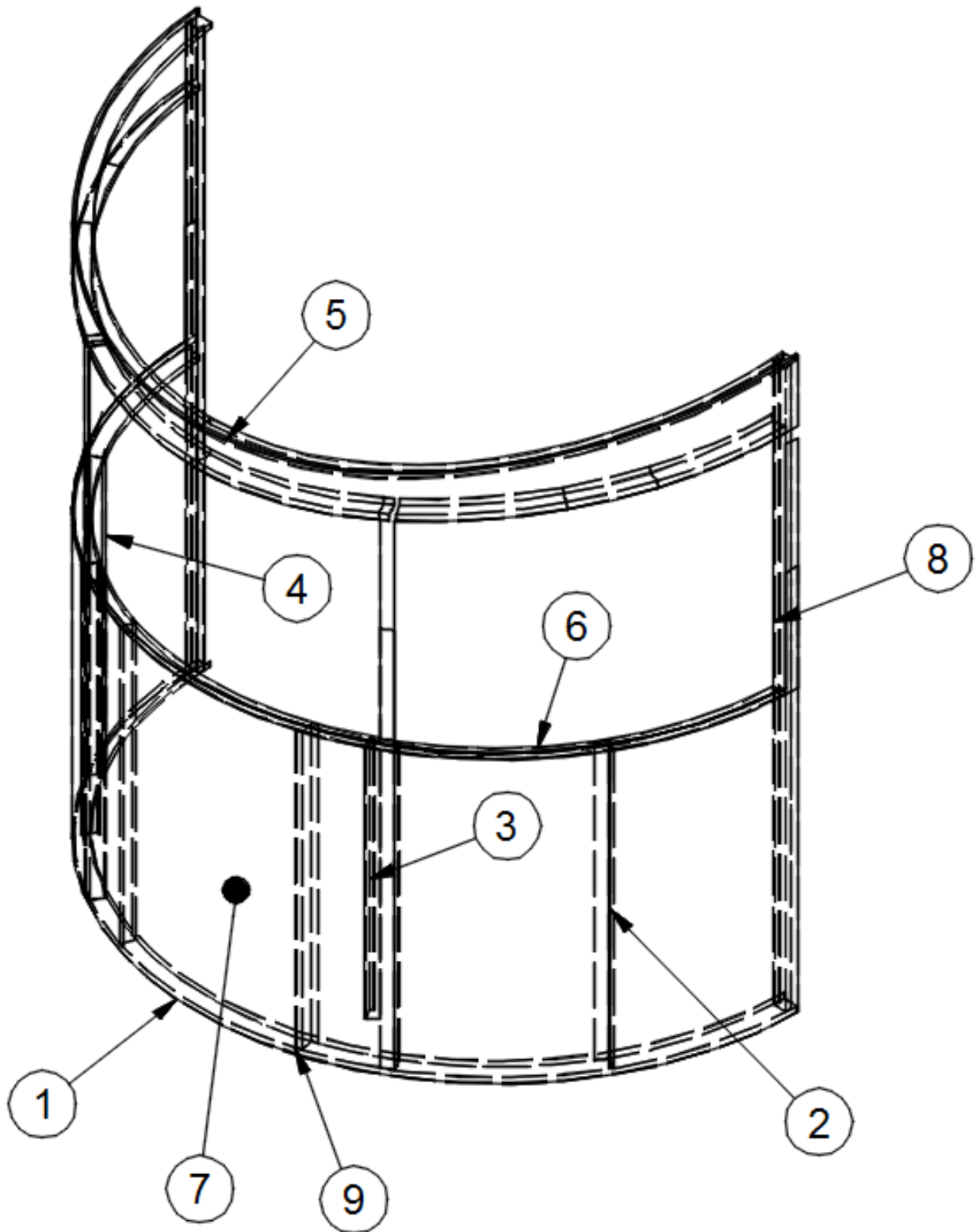
Refrigerator

*690470-04	Refrigerator, 3CF, RH
690470-05	Refrigerator, 3CF, RH
115166-07	Refrigerator panel insert
690470-01	Vent, Side wall
381830	Rubber wiper
203740	Insulation, Eco-batt fiberglass
690394	Power ventilator, refrigerator

*Replaced by 690470-05 in August 2017. Therm-O-disc relocated to absorber tube

2018 BASECAMP EXTERIOR SHELL

Front End



Parts Listed on Next Page

2018 BASECAMP EXTERIOR SHELL

Front End

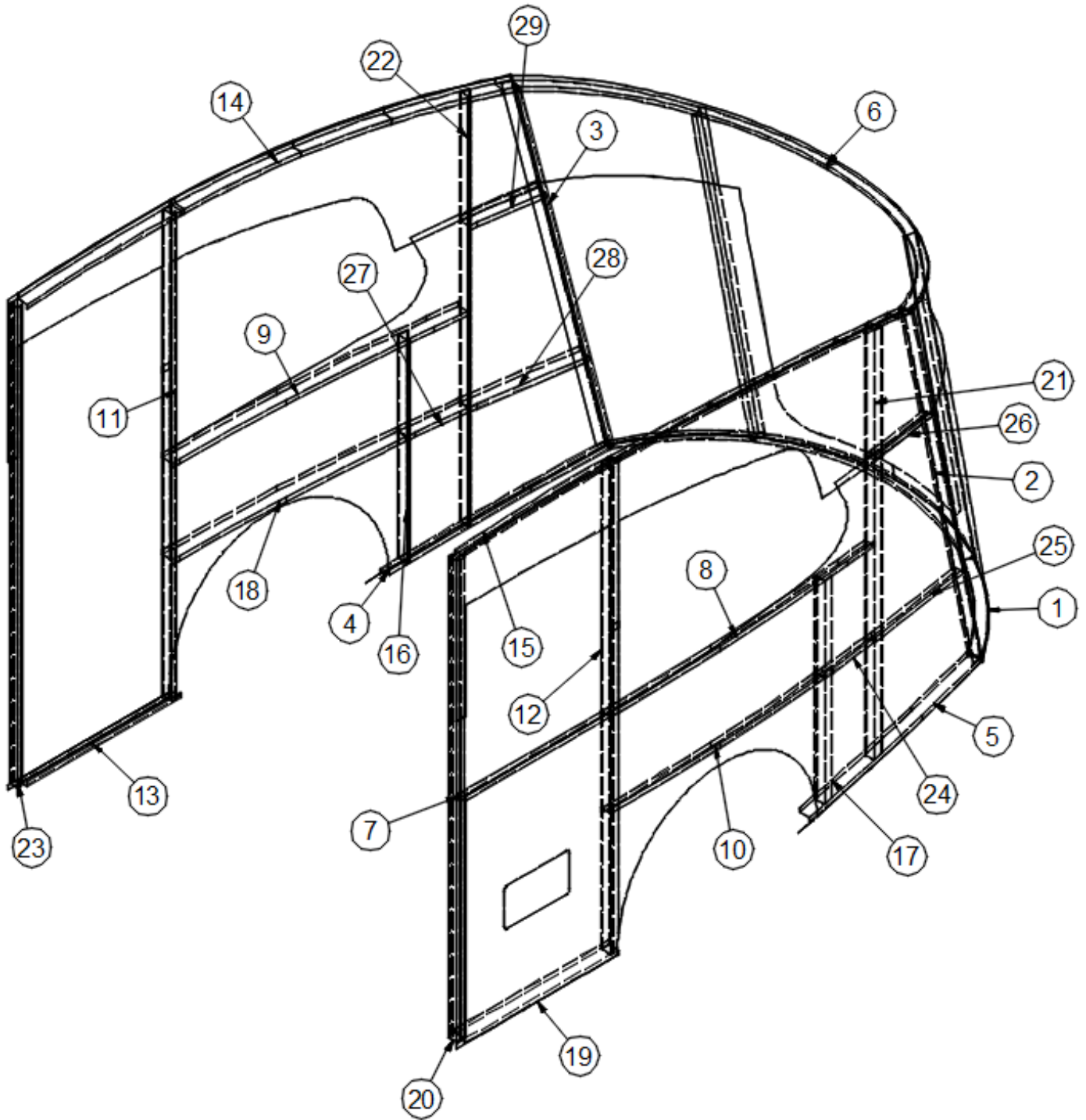
923286

End Shell, Front

1. 115725 Z extrusion, Front floor
2. 115661-02 Lower vertical supports
3. 115661-03 Window Vertical supports, RS
4. 115661-04 Window, Vertical supports, CS
5. 115717 Roof halo, Z front
6. 115726 Window bow, Lower
7. 114880-262 Aluminum sheet, .04 x 51" x 262"
8. 115730-01 C-extrusion, Interlocking
9. 104408 Z extrusion
- 371453 Window assembly, Front center
- 372275 Window, Front center, Glass only
- 365001 Seam tape
- 365222 Tape, Double coated
- 365300 Sika 95, .09" x .5"

2018 BASECAMP EXTERIOR SHELL

Aft End



Parts Listed on Next Page

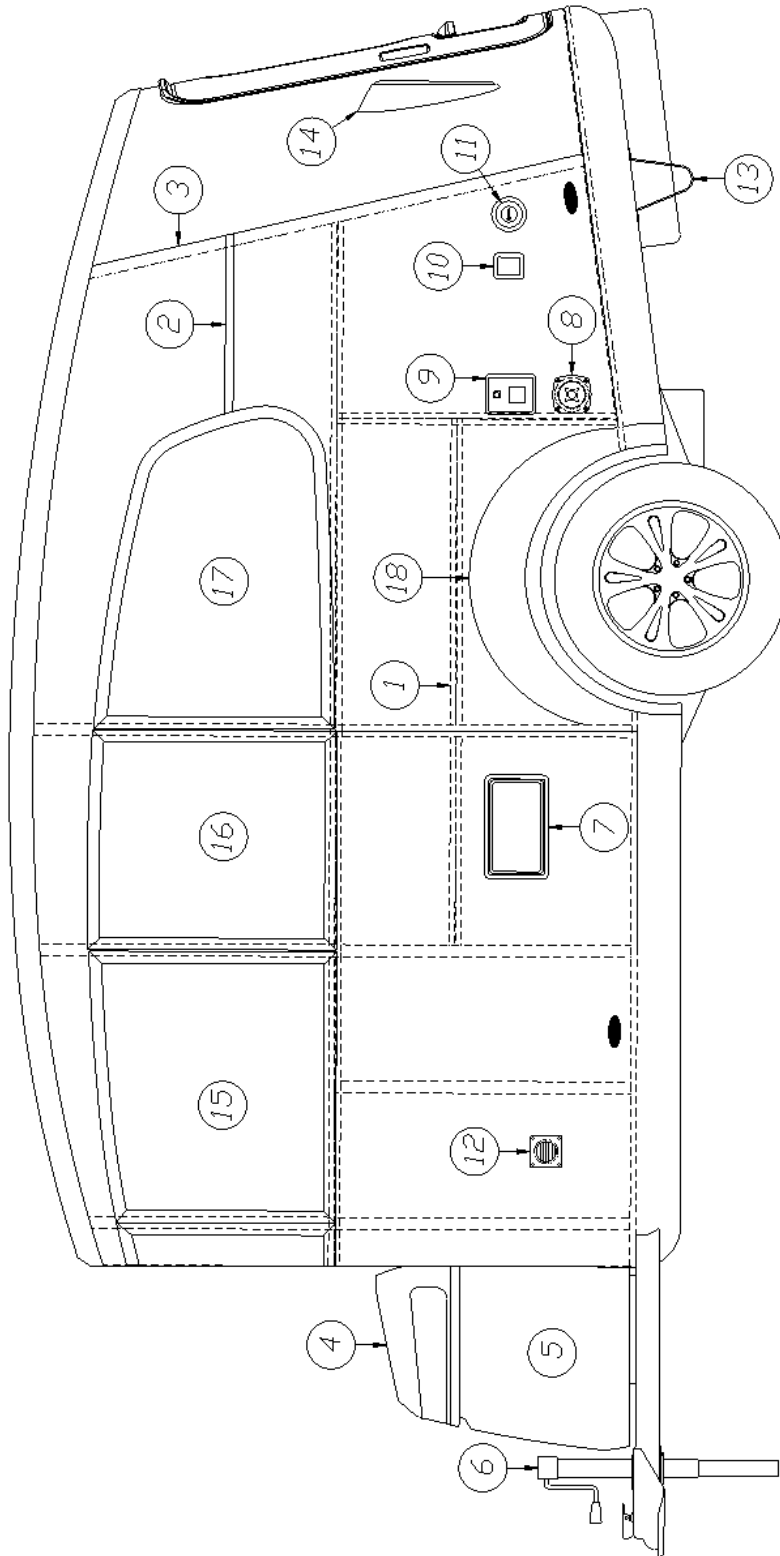
2018 BASECAMP EXTERIOR SHELL

Aft End

923287	End Shell, Rear
1. 115731	Z-extrusion, Rear floor
2. 115661-06	U-channel, Rear RS
3. 115661-05	U-channel, Rear CS
4. 115733	Z-extrusion, Rear floor CS
5. 115732	Z-extrusion, Rear floor RS
6. 115743	Rear roof halo
7. 115742	Horizontal lavy brace, RS
8. 115741	Horizontal window brace, RS
9. 115740	Horizontal window brace, CS
10. 115739	Horizontal wheel well brace, RS
11. 115661-09	Rear door, CS
12. 115661-10	Rear door, RS
13. 115735	Z-extrusion, Rear CS straight
14. 115744	Roof halo, CS
15. 115745	Roof halo, RS
16. 115661-07	U-channel, Aft wheel, CS
17. 115661-08	U-channel, Aft wheel, RS
18. 115738	Horizontal wheel well brace, CS
19. 115736	Z-extrusion, Rear RS straight
20. 365300	Sika 95, .09" x .5"
21. 115661-11	End shell support, RS
22. 115661-12	End shell support, CS
23. 115734-01	U-extrusion, Interlocking
24. 115795	RS horizontal wheel well brace, Mid
25. 115796	RS horizontal wheel well brace, Rear
26. 115804	Z-extrusion, RS upper seam
27. 115797	CS horizontal wheel well brace, Mid
28. 115798	CS horizontal wheel well brace, Rear
29. 115805	Z-extrusion, CS upper seam
968465	Rear cargo door
372280	Window, Rear cargo door
114880-201	Aluminum sheet, .04 x 51" x 201"

2018 BASECAMP EXTERIOR SHELL

Wall, Roadside



Parts Listed on Next Page

2018 BASECAMP EXTERIOR SHELL

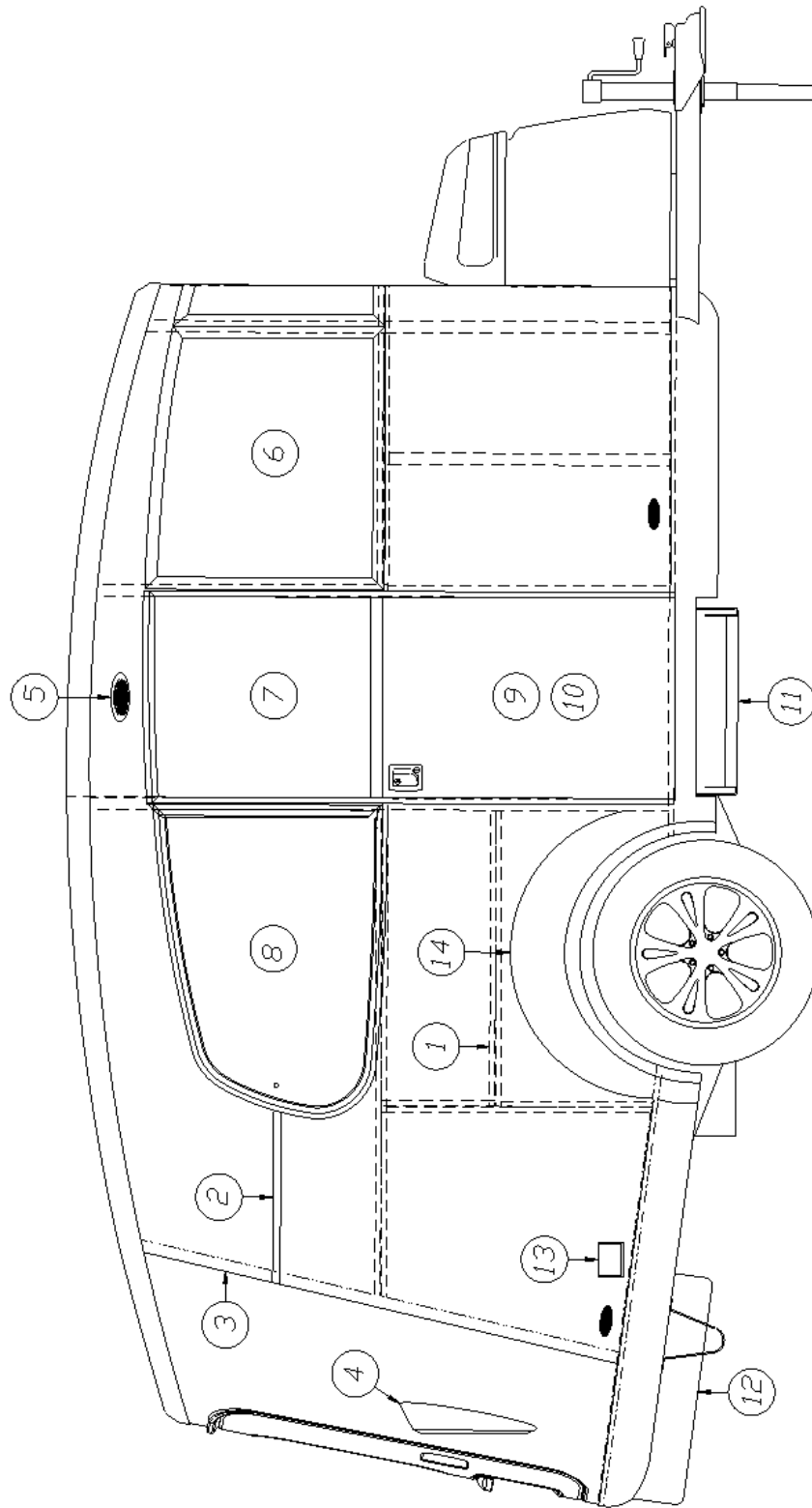
Wall, Roadside

- | | |
|----------------|-----------------------------------|
| 1. 115739 | Horizontal wheel well brace, RS |
| 2. 115804 | Z-extrusion, RS upper seam |
| 3. 115661-06 | U-channel, Rear RS |
| 4. 203860 | LP lid |
| 5. 203856 | LP shroud body |
| 6. 410945 | Hitch jack |
| 7. 381766 | Access hatch, Exterior shower |
| 8. 601392-06 | City water fill, 50 PSI |
| 9. 601194 | Water fill, Fresh |
| 10. 513087-02 | Power inlet, 30A, 125V, Male |
| 11. *690704-03 | Exterior furnace wall cowl, Black |
| 690704-26 | Cowl-Wall Inner |
| 690704-27 | Cowl-Wall Outer Part Black |
| 12. 203638-02 | Grille, Battery vent |
| 13. 400914-03 | Stabilizer jack |
| 14. 115670-01 | Taillight casting, RS |
| 15. 371452 | Window assembly, RS front |
| 16. 371451 | Window assembly, RS flat |
| 17. 371459 | Window assembly, RS rear |
| 18. 203992 | Exterior wheel well arch, RS |
| 203990 | Inner wheel well, RS |
| 372274 | Window, RS front, Glass only |
| 372281 | Window, RS flat, Glass only |
| 372277 | Window, RS rear, Glass only |

*690704-03 Separated into 2 parts, 690704-26 Inner Cowl and
690704-27 Outer Cowl, August 2018

2018 BASECAMP EXTERIOR SHELL

Wall, Curbside



Parts Listed on Next Page

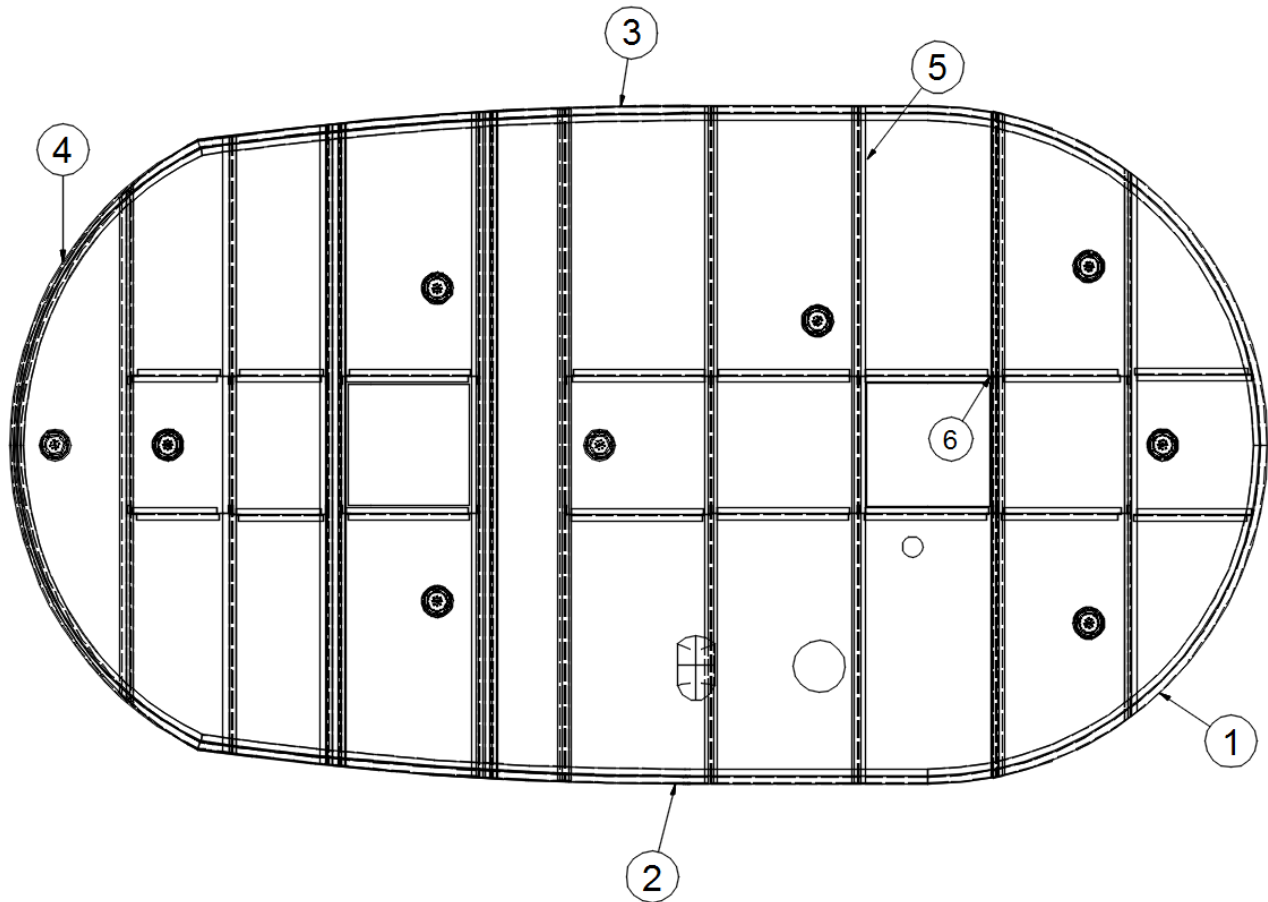
2018 BASECAMP EXTERIOR SHELL

Wall, Curbside

1. 115738 Horizontal wheel well brace, CS
2. 115805 Z-extrusion, CS upper seam
3. 115661-05 U-channel, Rear CS
4. 115670-02 Taillight casting, CS
5. 512793 LED porch light, Chrome
6. 371454 Window assembly, CS front
7. 372282 Window, CS door
8. 371458 Window assembly, CS rear
9. 968440 Door, CS flat
10. 382351 Screen door, Retractable
11. 400962 Step, Main door, Steel
12. 455172 Winch, Spare tire
13. 512741 Water proof cover w/gasket, Gray
14. 203993 Exterior wheel well arch, CS
- 203991 Inner wheel well, CS
- 372273 Window, CS front, Glass only
- 372276 Window, CS rear, Glass only

2018 BASECAMP EXTERIOR SHELL

Roof



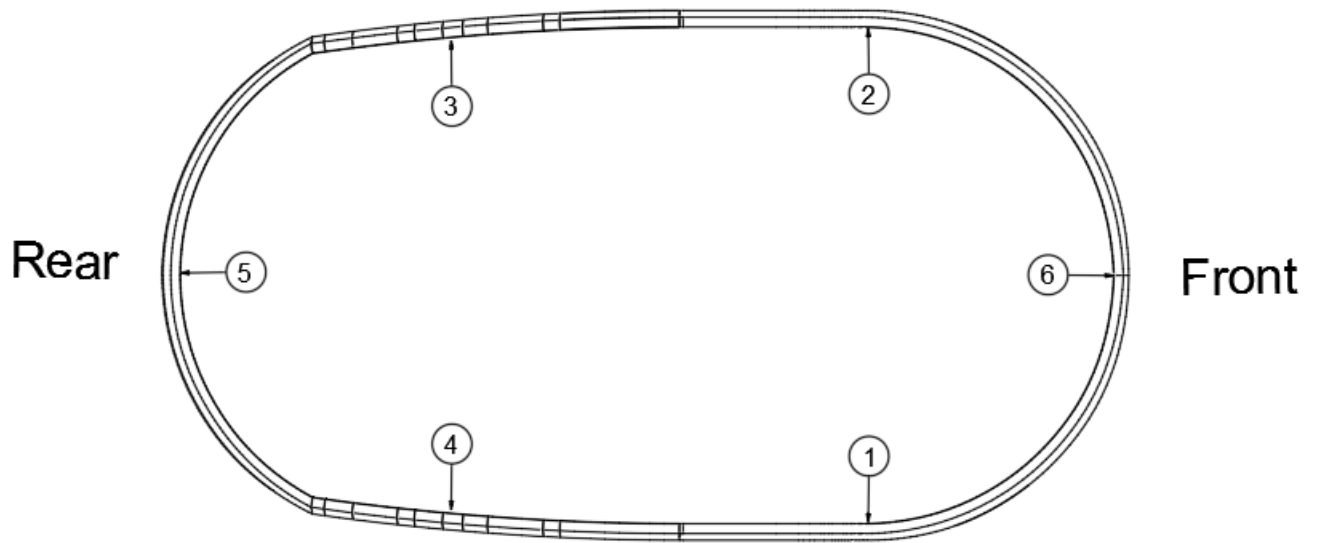
923280

Roof Assembly

- | | |
|--------------|-----------------------------------|
| 1. 115714 | U-halo, Front |
| 2. 115715-01 | U-halo, CS |
| 3. 115715-02 | U-halo, RS |
| 4. 115716 | U-halo, Rear |
| 5. 104707-06 | Extrusion, I section |
| 6. 114414 | Angle, Formed |
| 325004-01 | Rivet, 1/8" x .5", Clear Anodized |
| 365334 | Tape, Sealfoam w/PSA one side |
| 365001 | Tape, Double coated foam |
| 114880-262 | Aluminum, 51" x .04" |
| 104408 | Z-bar, .075 x 1.75 x .75 |
| 685510 | Seam tape, Black rubber |

2018 BASECAMP EXTERIOR SHELL

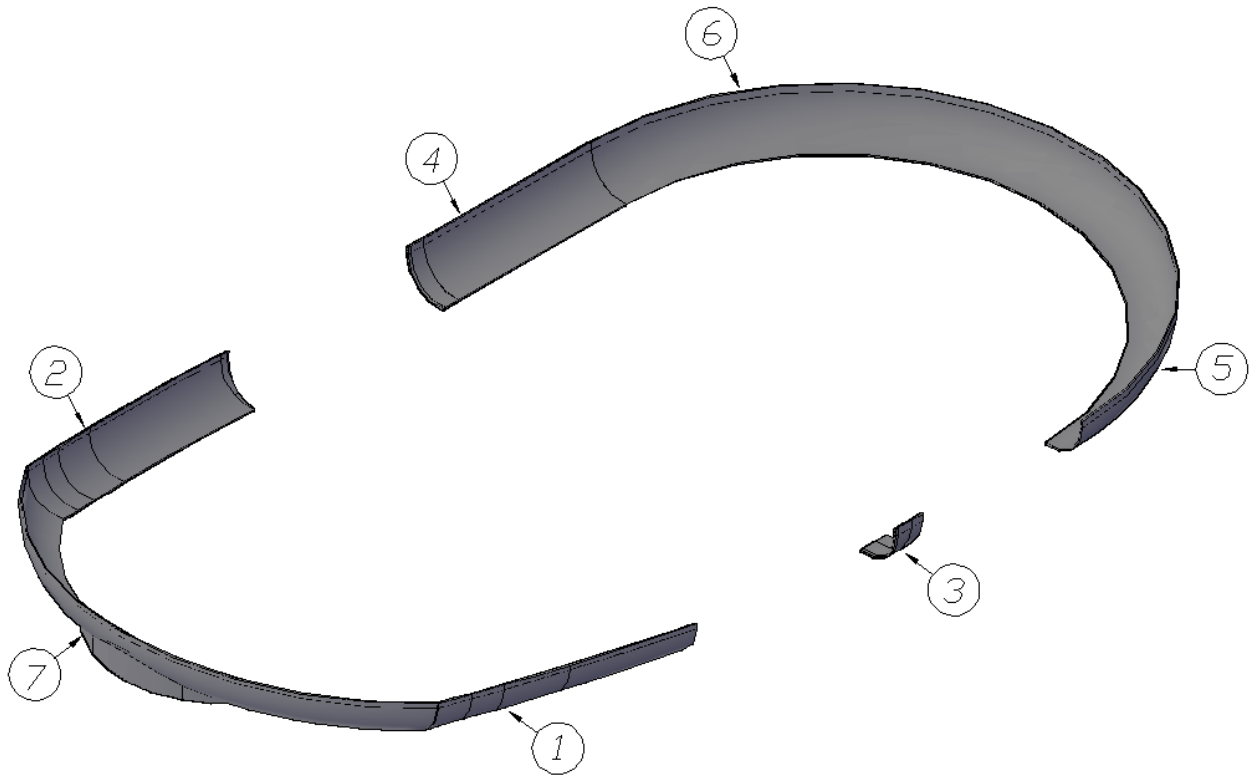
Roof Trim



- | | |
|--------------|-------------------------|
| 1. 203867-01 | Roof trim, CS |
| 2. 203867-02 | Roof trim, RS |
| 3. 203867-03 | Roof trim, RS rear |
| 4. 203867-04 | Roof trim, CS rear |
| 5. 203867-05 | Roof trim, Rear center |
| 6. 203867-06 | Roof trim, Front center |
| 115717 | Halo, Z front |
| 115743 | Halo, Rear roof |
| 115744 | Halo, CS roof |
| 115745 | Halo, RS roof |

2018 BASECAMP EXTERIOR SHELL

Underbelly Wraps



- | | |
|--------------|------------------------|
| 1. 203850-01 | Rear CS skirting |
| 2. 203850-02 | Rear RS skirting |
| 3. 203850-03 | Step CS skirting |
| 4. 203850-04 | Straight RS skirting |
| 5. 203850-05 | Front CS skirting |
| 6. 203850-06 | Front RS skirting |
| 7. 203850-07 | Rear center underbelly |

Body Protector

- | | |
|--------|------------------------|
| 203881 | 3M film body protector |
|--------|------------------------|

2018 BASECAMP INTERIOR SHELL

Interior Skin

114879-262	Aluminum sheet, .040" x 33" x coil
114880-262	Aluminum sheet, .040" x 51" x coil

Main Door Threshold

115565	Extrusion, Main door threshold
382290-01	End cap, Threshold
382290-02	End cap, Threshold

2018 BASECAMP CHASSIS

Axles

410980-19	Axle, 3500#, Nev-R-Adjust, Dexter
410980-100	10" RH Nev-R-Adjust Brake Assembly
410980-101	10" LH Nev-R-Adjust Brake Assembly

Tires and Wheels

411061	Tire & wheel, 18", Chrome
411061-01	Tire only
411067	Lug nut, 3/4"

Spare Tire Carrier

411038	Spare tire & wheel
455172	Spare tire winch
455383	Lug wrench, Telescoping
115821	Bracket, Spare tire

Step

400962	Step, Main door, Steel, 24"
--------	-----------------------------

Hose Carrier

602619-02	E-Z hose carrier, 64", Black
104704-01	Shim, 3 x 3
115721	Spacer, Hose bracket

Hitch Jack

410945	Manual jack, Eclipse
401022	Hitch jack foot pad

Stabilizing Jacks

400914-03	Stabilizer jack, 20", Lightweight
400914-02	Stabilizer jack handle, 15"
400914-04	Foot pads, Stabilizer jack (set of four)
400914-040	Foot pads, Stabilizer jack (each)
382412	Spacer, Stabilizer jack

A-Frame

*680343-01	Coupler, 10,000 LB
455653	Demco 2 5/16 12.5 K Coupler
455653-100	Demco EZ-Latch 2 5/16 Coupler Repair Kit For 455653
455654	Adjustable Coupler Lock
410612	Safety chain w/hook
451677	Plate, Jack

*680343-01 Coupler is NLA, Will need to change out coupler with 455653

2018 BASECAMP DECALS, EXTERIOR TRIM

Decals, Logos, and Nameplates

386294	Nameplate, "BASECAMP", Orange/Ivory
386255-01	Curved badge, "AIRSTREAM", Black Chrome
386255-02	Straight badge, "AIRSTREAM", Black Chrome
115809	LP logo wrap

Keder Rail

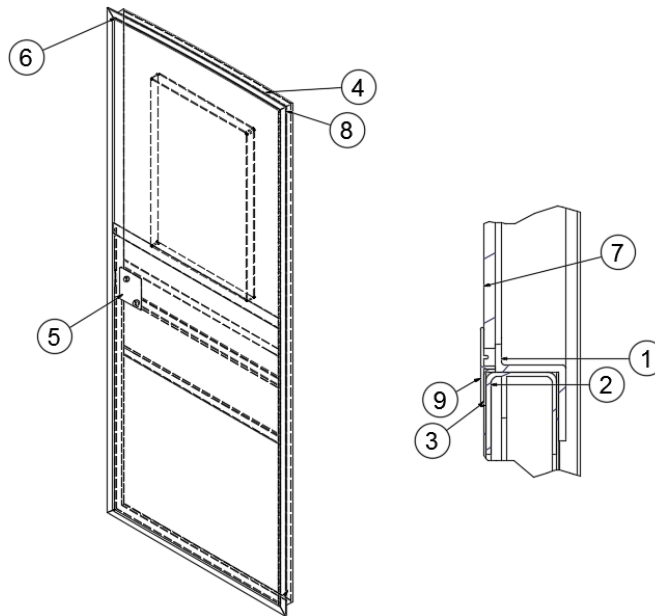
115686	Extrusion, Keder rail
203914	Insert, 1", Black

Reflectors

512967	Reflector, Yellow
512968	Reflector, Red

2018 BASECAMP DOORS, WINDOWS, TENTS

Main Door



968440

Main Door

- | | |
|--|---|
| <ul style="list-style-type: none"> 1. 203859 2. 968439 3. 115756 4. 115757 5. 382311 6. 365367 7. 372282 8. 382451 9. 0101-0025 | <ul style="list-style-type: none"> Window trim ring Door frame assembly Door skin, Front Door skin, Back Main door latch w/deadbolt, Black Flat gasket Door window Piano hinge, Painted at top Door window extrusion |
|--|---|

968437

Door jamb assembly

385595

Pocket strike

382438

Dual Durometer seal

382351

Stowaway Retractable Screen Door

382470

Trim-lok, Dual gripper

Compartment Door

109867-03 Compartment Door Install

114496-03 Door, Utility compartment

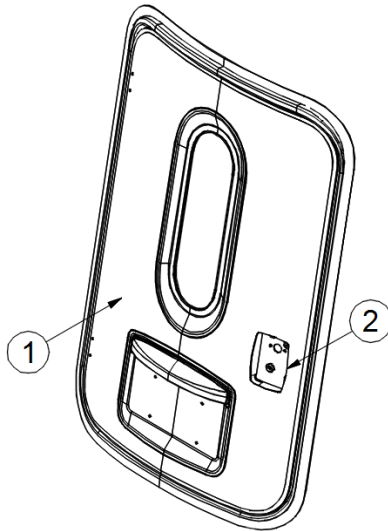
340023-01 Catch and strike, Zinc

380988 Hinge, Continuous

365232 Seal, Baggage door

2018 BASECAMP DOORS, WINDOWS, TENTS

Rear Door



968465

Rear Door

- | | |
|-----------|-------------------------------|
| 1. 968461 | Fiberglass Rear Door |
| 2. 382312 | Rear door latch |
| 382065 | Hinge |
| 382499-07 | Gasket, Door hinge |
| 115781 | Rear door cam |
| 0230016 | Snap-in plastic bushing, 5/8" |
| 381423-04 | Strike plate |
| 203873 | Rear door closeout |
| 115783 | Rear door latch plate |
| 372280 | Window, Rear cargo door |
| 802123 | Whiteboard, Rear door |
| 382415 | Tapered handle |
| 365232 | Baggage door seal |
| 360382 | Trim seal, 3/16" |
| 381665 | Gasket, D-seal |
| 455250 | Strike plate w/box |
| 115869 | Drip rail, Rear door |
| 512472 | Kit, Door jamb contact |
| 203877 | Trim-License Plate Silver |

Rear Door Netting

- | | |
|-----------|--|
| 704276 | Kit, Rear door netting |
| 704276-01 | Strap and mounting bracket for door, 12" |
| 704276-02 | Stretch net w/bungee & Brass clips, 7.5" x 7" |
| 704276-03 | Stretch net w/bungee & Brass clips, 7.5" x 11" |

2018 BASECAMP

DOORS, WINDOWS, TENTS

Windows

371453	Window assembly, Front center
371452	Window assembly, RS front
371451	Window assembly, RS flat
371459	Window assembly, RS rear
371454	Window assembly, CS front
371458	Window assembly, CS rear
372275	Window, Glass only, Front center
372274	Window, Glass only, RS front
372281	Window, Glass only, RS flat
372277	Window, Glass only, RS rear
372273	Window, Glass only, CS front
372276	Window, Glass only, CS rear
372280	Window, Rear cargo door
372282	Flat door window

Window Trim

203859	Trim ring, Window
203868-01	Trim ring, Interior front
203868-02	Trim ring, Interior front center
203868-03	Trim ring, Interior front RS
203868-04	Trim ring, Interior rear CS
203868-05	Trim ring, Interior rear RS
203594-04	Ceiling trim, Black

Window Pillar Covers

203879-01	Pillar cover, CS rear
203879-02	Pillar cover, CS front right
203879-03	Pillar cover, CS front center
203879-04	Pillar cover, RS front center
203879-05	Pillar cover, RS front left
203879-06	Pillar cover, RS rear

2018 BASECAMP DOORS, WINDOWS, TENTS

Visor

704329

Visor

Tents

704327

Side tent

704328

Rear tent

2018 BASECAMP WINDOW SHADES

Window Shades

704275-01	Window cover, Front RS
704275-02	Window cover, Front center
704275-03	Window cover, Front CS
704275-04	Window cover, Rear RS
704275-05	Window cover, Rear CS
704275-06	Window cover, Headknocker
704343	Window cover, Rear door
704324-01	Shade, Flat door, 14.75 x 22.5, Black

Window Shade Hardware

704325-01	Zipper sliders, Black
704325-02	Zipper sliders, Red
704375	Cover, Window latch
700005	Fastener, Cap
700006	Fastener socket
340030	Fastener stud, Nickel Plated
700618	Black hoop, 1"
700617-01	Black hook, 1"
704360	Black nylon tape, 1"
700020	Pile, Velcro
700021	Hook, Velcro, White
703703	Zipper
704365	Black bungee, 3/16"

2018 BASECAMP ELECTRICAL, 110 VOLT

Shore Line Cord

513087-01	Power cord, 30A, 30'
513087-02	Power inlet, 30A, 125V, Male

Converter

512237	Power center, AC/DC, Black
--------	----------------------------

Breakers

510564-03	Breaker, Bryant, 15-15 Amp
510564-05	Breaker, Bryant, 30-20 Amp
510564-15GFI	Breaker, Bryant, 15 Amp GFI
510564-20GFI	Breaker, Type BR, 20 GFI

Junction Boxes

511411	Junction box, 7 terminal
--------	--------------------------

Receptacles and USB Ports

511814-01	Receptacle, Duplex, Self-contained, Gray
511814-02	Decorative wall plate, Gray
512999-06	Receptacle, 20 Amp, Self-contained, Black
512481-01	Receptacle, 20 Amp, White
500563-04	Decorative wall plate w/screws, White
512986	Pop-up outlet
513185	USB power inlet, Black
511815-02	Plate-Decorator 1 Gang Black

2018 BASECAMP ELECTRICAL, 12 VOLT

Battery and Battery Box

511596	Battery, Deep cycle, SRM-24
511828	Battery, 12V deep cycle, AGM (when solar equipped)
455055	Battery box
602192	Vent hose
386318	Folding handle
386319	Draw latch, Over center
203638-01	Cone vent, Battery box vent
203638-02	Grill, Battery box vent
382499-06	Battery vent gasket
382552	Battery Box Lid Gasket

7-Way Cable

500886-01	7-way cable w/plug
-----------	--------------------

Switches

510658	Switch w/weather-proof boot
511975	Switch, 4 gang, Black
513028	Switch, Tank heater, Black w/Red lit lens

Battery Disconnect

510626	Switch, Master battery disconnect
510627	Faceplate, Polished Aluminum

Breakaway Switch

0300027	Breakaway switch, Bargman
454526	Bracket, Breakaway switch

Monitor System

513168	Monitor, Tank system kit (Seelevel)
513168-01	Flush mount monitor panel only
513168-02	Sender pad

Breakers

510947-20	Breaker, 12V DC, Type II
510947-30	Breaker, 12V DC, Type II

2018 BASECAMP ELECTRICAL, 12 VOLT

Fuses

512318	Fuse holder w/1 amp AGC fuse
512660-50	Terminal fuse, 50 amp, Red
512661	Fuse block, 1 terminal stud
500883-08	Fuse, 12V, 8 amp
500773-15	Fuse, ATC, 12 VDC, 15 amp
500773-20	Fuse, ATC, 12 VDC, 20 amp

Solar Panel System

513047-01	Solar panel, 80 watt, Zamp
513047-02	Solar panel mounting feet, Zamp
513247	Kit, Solar charge controller & digital display
513060	Mounting brackets, Solar panel
*513043	Triple port solar cap
513033	Bracket, Portable solar panel port
*365407	Gasket, Solar box

*513043 replaced by 513586, no gasket is needed

Interior Lights

512478	Light, LED, Wet location
*512478-02	LED light, Wet location
512987	LED spot light w/frosted lens
99900P-1974	Reading light
512803	Light-reading w/sw & frosted light

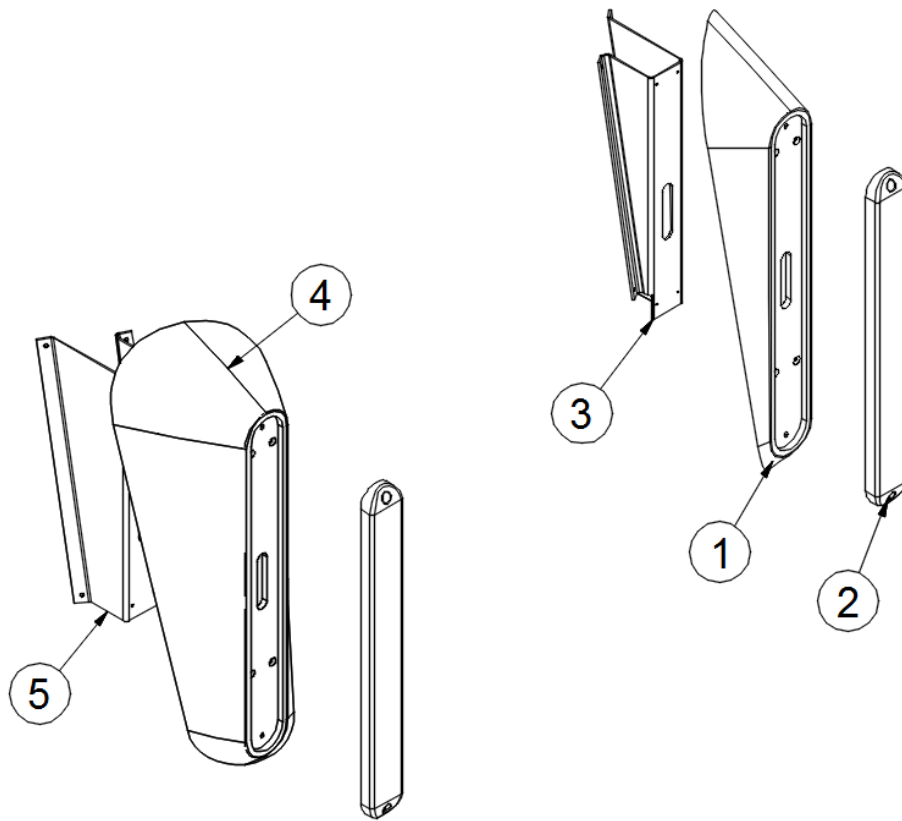
*Replaced 512478 in November 2017

Exterior Lights

512793	LED porch light, Chrome
512533	Auxiliary light, LED, Surface mount
513025	LED clearance marker, Yellow
513026	LED clearance marker, Red
512964	LED clearance marker, Yellow
512965	LED clearance marker, Red
512971	Light kit, Red identification
512981	LED license plate light

2018 BASECAMP ELECTRICAL, 12 VOLT

Tail Lights



112294

Tail light Install

- | | |
|--------------|----------------------------|
| 1. 115670-01 | Casting, CS taillight |
| 2. 512961 | Light, Stop/turn/tail, Red |
| 3. 115678-01 | Bracket, CS taillight |
| 4. 115670-02 | Casting, RS taillight |
| 5. 115678-02 | Bracket, RS taillight |

2018 BASECAMP FLOOR COVERINGS

Floor Coverings

704269-01	Flooring, Vinyl, Beau Linea
203594-02	Floor trim, Ash Grey
203594-04	Floor trim, Black
703766-01	Adhesive, AAT-272 Super Premium
203727	Foil, Single bubble flex
802098	Front floor panel
802099	Mid floor panel
802100	Rear floor panel
802101	Rear floor panel, Rear
802102	Rear floor panel, RS
802103	Rear floor panel, CS

2018 BASECAMP FURNITURE, STORAGE

Overhead Storage Nets

704271-01	Overhead storage net, RS front
704271-02	Overhead storage net, RS rear
704271-03	Overhead storage net, Front
704271-04	Overhead storage net, CS
704282	Straps for overhead rail support, 12"

Overhead Bars

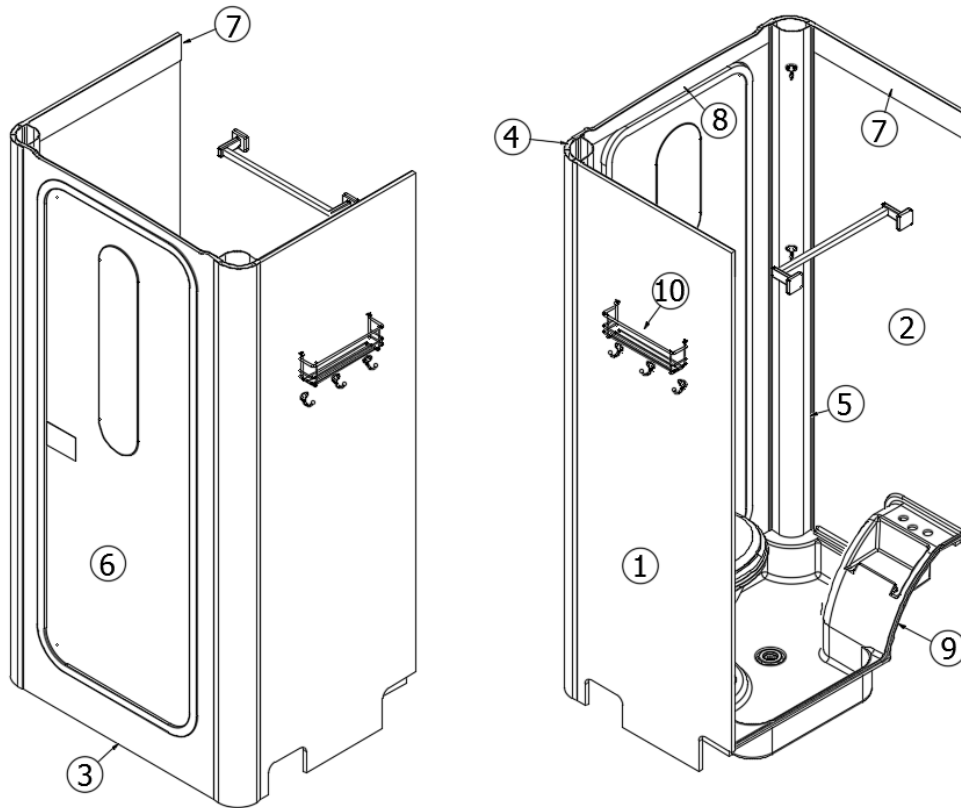
115754-01	Overhead bar, Front RS, Silver
115755-01	Overhead bar, Rear RS, Silver
115767-01	Overhead bar, Front center, Silver
115768-01	Overhead bar, CS rear, Silver
115754-02	Overhead bar, Front RS, Red
115755-02	Overhead bar, Rear RS, Red
115767-02	Overhead bar, Front center, Red
115768-02	Overhead bar, CS rear, Red

Storage Bins

455349	Bin, Plumbing storage
--------	-----------------------

2018 BASECAMP FURNITURE, LAVATORY

Bath Module, Steel Mesh



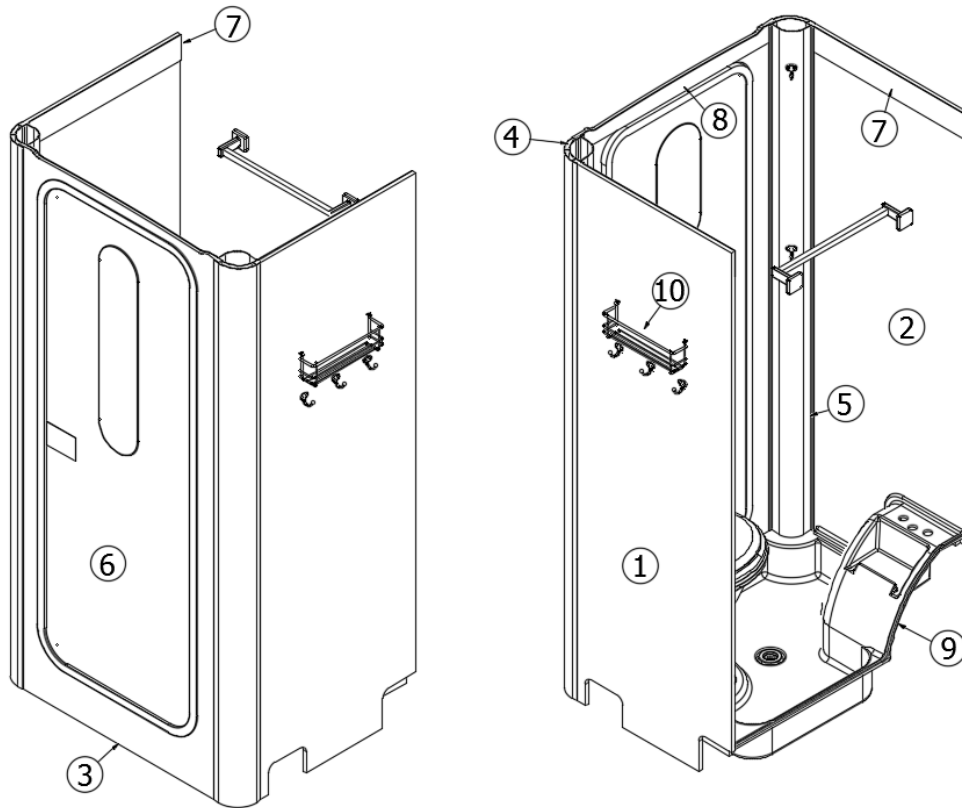
112342-01

Bath Module

- | | | |
|-----|------------|--------------------------------------|
| 1. | 112342-011 | Panel, 25.5 x 74.65 |
| 2. | 112342-012 | Panel, 25.41 x 75.01 |
| 3. | 112342-013 | Panel, 32 x 75.75 |
| 4. | 115682 | Extrusion, 3" radius |
| 5. | 115683 | Extrusion, 2" radius |
| 6. | 382307-01 | Bath door, Steel Mesh |
| 7. | 115771-01 | Closeout, Aluminum, 3.5 x 24.63 |
| 8. | 115771-02 | Closeout, Aluminum, 30.38" x contour |
| 9. | 203829 | Shower pan |
| 10. | 382052 | Spice rack, Wire, Chrome |
| | 602284 | Towel bar |
| | 381834 | Coat hook |
| | 690621 | Toilet, Dometic |
| | 602175 | Dryroll toilet paper holder |
| | 704272 | Shower caddy |
| | 371455 | Bathroom mirror, Exterior of door |
| | 371456 | Bathroom mirror, Interior of door |
| | 382239 | Latch, Shower door |

2018 BASECAMP FURNITURE, LAVATORY

Bath Module, Crisp Linen



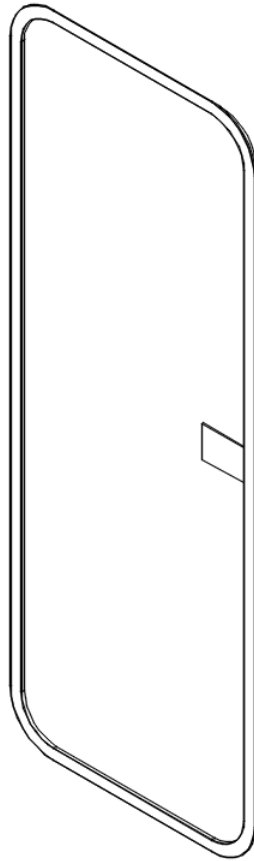
112342-02

Bath Module

- | | |
|---------------|--------------------------------------|
| 1. 112342-021 | Panel, 25.5 x 74.65 |
| 2. 112342-022 | Panel, 25.41 x 75.01 |
| 3. 112342-023 | Panel, 32 x 75.75 |
| 4. 115682 | Extrusion, 3" radius |
| 5. 115683 | Extrusion, 2" radius |
| 6. 382307-02 | Bath door, Crisp |
| 7. 115771-01 | Closeout, Aluminum, 3.5 x 24.63 |
| 8. 115771-02 | Closeout, Aluminum, 30.38" x contour |
| 9. 203829 | Shower pan |
| 10. 382052 | Spice rack, Wire, Chrome |
| 602284 | Towel bar |
| 381834 | Coat hook |
| 690621 | Toilet, Dometic |
| 602175 | Dryroll toilet paper holder |
| 704272 | Shower caddy |
| 371455 | Bathroom mirror, Exterior of door |
| 371456 | Bathroom mirror, Interior of door |
| 382239 | Latch, Shower door |

2018 BASECAMP FURNITURE, LAVATORY

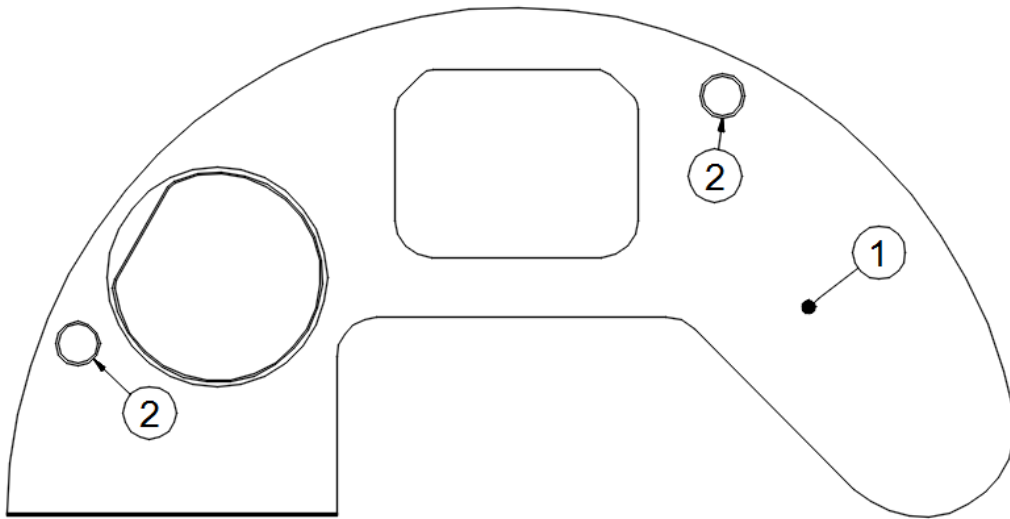
Bath Door



- | | |
|------------|---------------------------|
| 382307-01 | Bath door, Steel Mesh |
| 382307-02 | Bath door, Crisp Linen |
| 382307-100 | Latch for Bath Door |
| 382307-102 | Weather Strip, Large |
| 382307-103 | Weather Strip, Small |
| 382239 | Latch Shower Door, Chrome |

2018 BASECAMP FURNITURE, GALLEY

Galley Top



968384-32
968384-33

Galley Top, Crisp Linen
Galley Top, Steel Mesh

1. 968384-321
968384-331

Panel, 76.57 x 38.29
Panel, 76.57 x 38.29

2. 512986
602197

Pop-up outlet
Sink w/faucet

690576

Cooktop, 2 Burner, SMEV

115064

Molding, Aluminum

365395-02

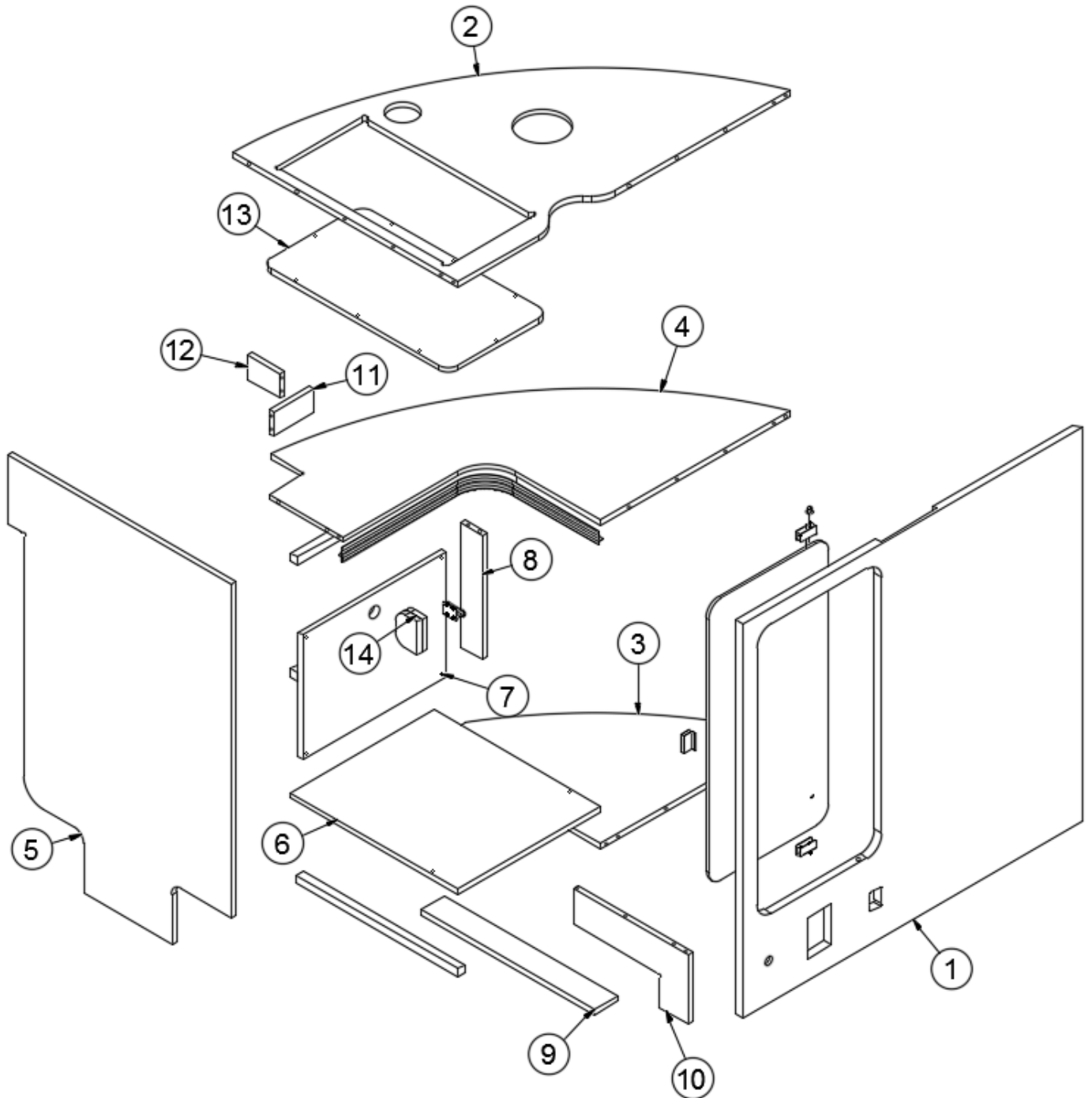
Edgebanding, .94", Crisp Linen

365411-02

Edgebanding, .94", Steel Mesh

2018 BASECAMP FURNITURE, GALLEY

Galley Cabinet, CS, Crisp Linen



Parts Listed on Next Page

2018 BASECAMP FURNITURE, GALLEY

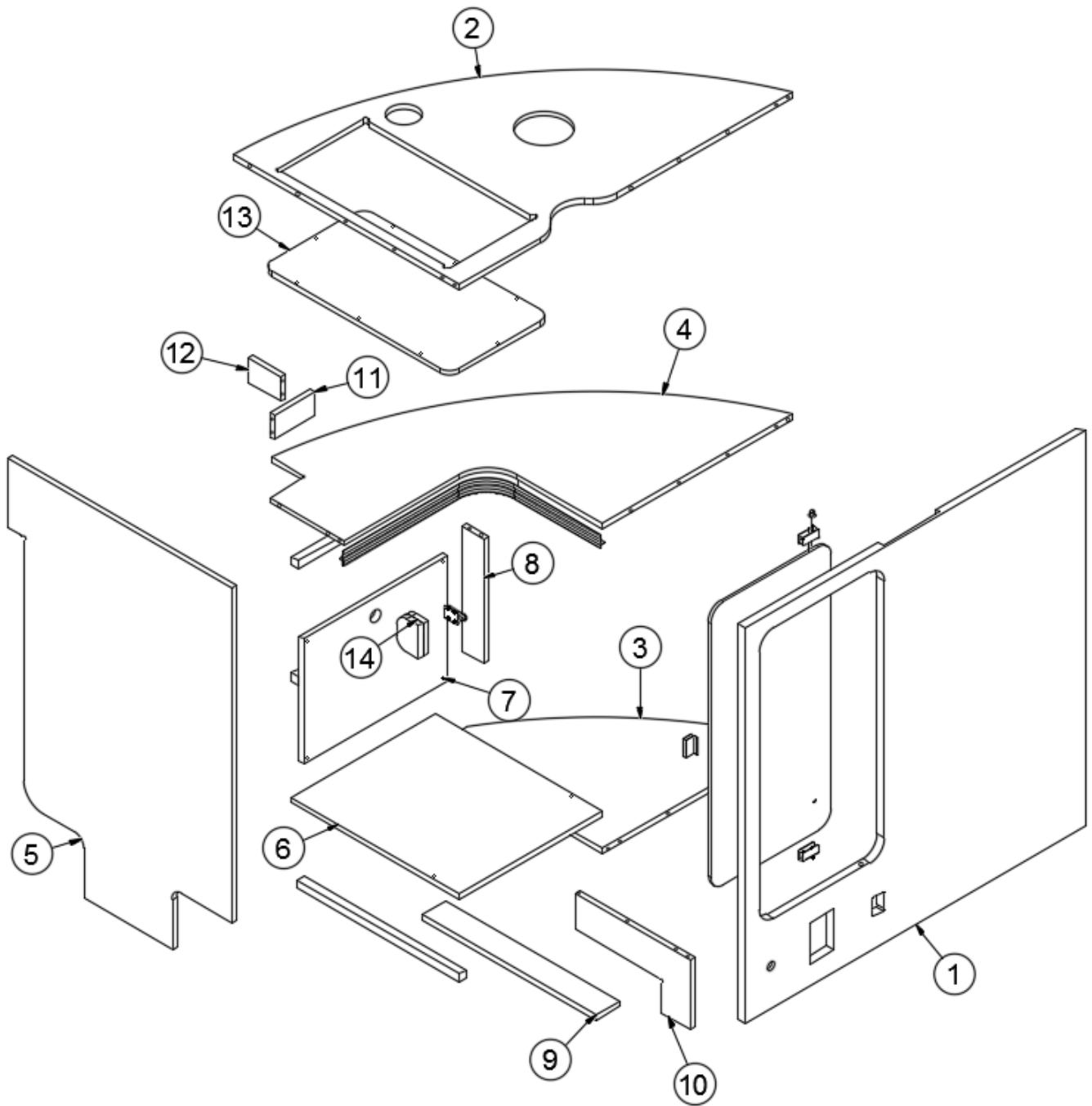
Galley Cabinet, CS, Crisp Linen

968382-32 CS Galley Cabinet

1. 968382-1	Panel, 35.63 x 35.75
2. 968382-2	Panel, 23.53 x 34.83
3. 968382-3	Panel, 20.29 x 20
4. 968382-4	Panel, 23.54 x 34.94
5. 968382-5	Panel, 23.5 x 35.75
6. 968382-6	Panel, 15 x 17.5
7. 968382-7	Panel, 15 x 11.25
8. 968382-8	Panel, 15 x 11.25
9. 968382-9	Panel, 2.5 x 19
10. 968382-10	Panel, 6.25 x 15
11. 968382-11	Panel, 2.25 x 4.25
12. 968382-12	Panel, 2.25 x 3.38
13. 968382-13	Panel, 10.5 x 19.5
14. 968382-14	Panel, 2.25 x 3
372283	Glass door, 12.75 x 26
381654	Hinge, Glass door, Black
381653	Glass catch
381707	Glass strike/pull
968385	Cutlery tray
365340-01	Edgebanding, .63", Frosty White
203440	T-molding, Black embossed, .8125

2018 BASECAMP FURNITURE, GALLEY

Galley Cabinet, CS, Steel Mesh



Parts Listed on Next Page

2018 BASECAMP FURNITURE, GALLEY

Galley Cabinet, CS, Steel Mesh

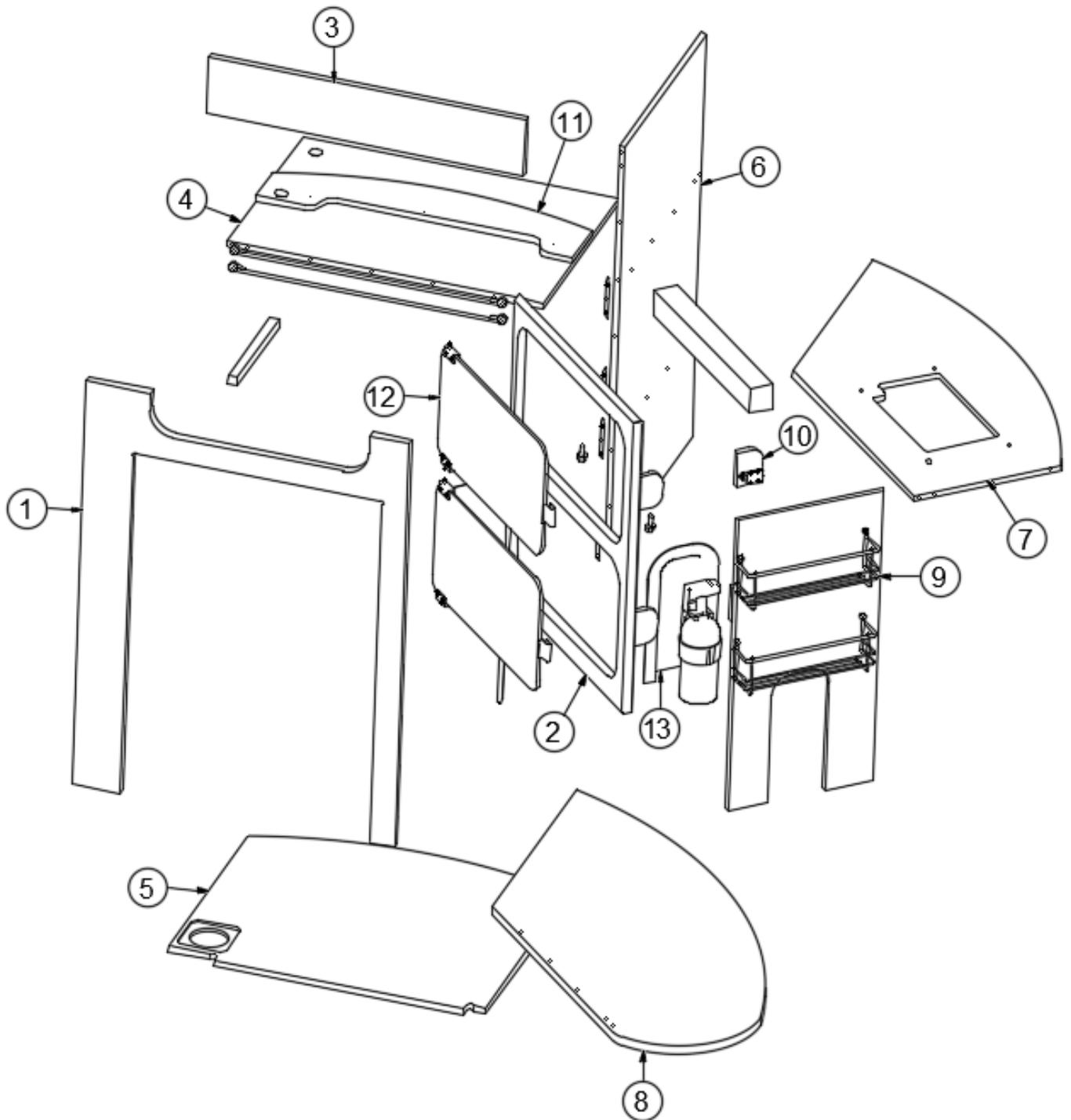
968382-33

CS Galley Cabinet

1. 968382-1	Panel, 35.63 x 35.75
2. 968382-2	Panel, 23.53 x 34.83
3. 968382-3	Panel, 20.29 x 20
4. 968382-4	Panel, 23.54 x 34.94
5. 968382-5	Panel, 23.5 x 35.75
6. 968382-6	Panel, 15 x 17.5
7. 968382-7	Panel, 15 x 11.25
8. 968382-8	Panel, 15 x 11.25
9. 968382-9	Panel, 2.5 x 19
10. 968382-10	Panel, 6.25 x 15
11. 968382-11	Panel, 2.25 x 4.25
12. 968382-12	Panel, 2.25 x 3.38
13. 968382-13	Panel, 10.5 x 19.5
14. 968382-14	Panel, 2.25 x 3
372283	Glass door, 12.75 x 26
381654	Hinge, Glass door, Black
381653	Glass catch
381707	Glass strike/pull
968385	Cutlery tray
365340-01	Edgebanding, .63", Frosty White
203440	T-molding, Black embossed, .8125

2018 BASECAMP FURNITURE, GALLEY

Galley Cabinet, RS, Crisp Linen



Parts Listed on Next Page

2018 BASECAMP FURNITURE, GALLEY

Galley Cabinet, RS, Crisp Linen

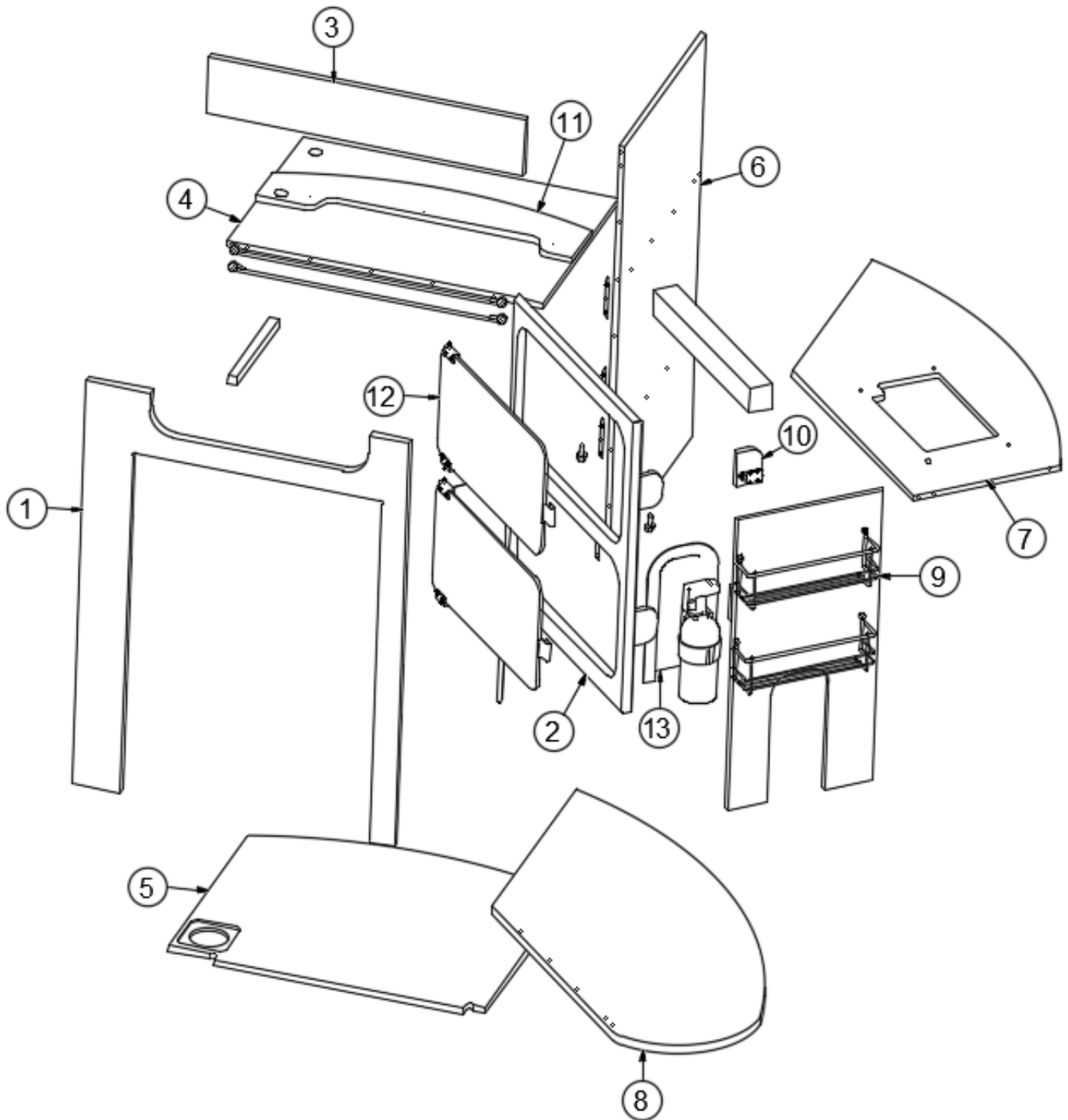
968383-32	RS Galley Cabinet, Standard Build
968383-0232	RS Galley Cabinet, Microwave Option

1. 968383-1	Panel, 26.5 x 35.75
2. 968383-2	Panel, 22 x 25.75
3. 968383-3	Panel, 26 x 5
4. 968383-4	Panel, 21.63 x 26
5. 968383-5	Panel, 22.31 x 26
6. 968383-6	Panel, 19.56 x 35.75
7. 968383-7	Panel, 17.38 x 35
8. 968383-328	Panel, 18.13 x 40.38
9. 968383-9	Panel, 12.63 x 25.75
10. 968383-11	Panel, 2.25 x 3
11. *968383-37	Panel, 6.56 x 26
12. 372284	Glass door, 18.5 x 9.8
13. 200773	Closeout, Reading light
382308	Bracket, 135°
381654	Hinge, Glass door, Black
381653	Glass catch
381707	Glass strike/pull
382057	Knockdown, 8mm
382057-04	Cap, Knockdown, White
115134	Extrusion, Laminate trim
365340-01	Edgebanding, .63", Frosty White
365395-02	Edgebanding, .94", Crisp Linen
203440	T-molding, Black embossed, .8125
203445	T-molding, .5, Black
704257	Bungee kit, 22"
382052	Spice rack
382454	Foam, Microwave stabilizer

*968383-37 added starting serial #203855

2018 BASECAMP FURNITURE, GALLEY

Galley Cabinet, RS, Steel Mesh



Parts Listed on Next Page

2018 BASECAMP FURNITURE, GALLEY

Galley Cabinet, RS, Steel Mesh

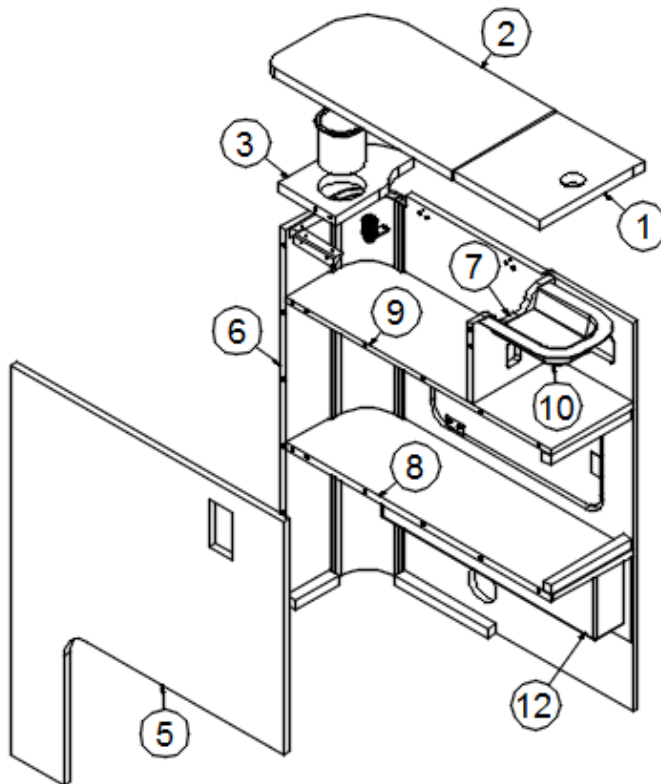
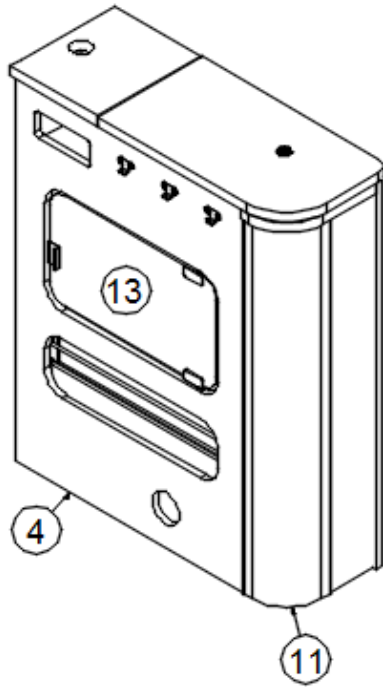
968383-33 RS Galley Cabinet, Standard Build
968383-0233 RS Galley Cabinet, Microwave Option

1. 968383-1	Panel, 26.5 x 35.75
2. 968383-2	Panel, 22 x 25.75
3. 968383-3	Panel, 26 x 5
4. 968383-4	Panel, 21.63 x 26
5. 968383-5	Panel, 22.31 x 26
6. 968383-6	Panel, 19.56 x 35.75
7. 968383-7	Panel, 17.38 x 35
8. 968383-338	Panel, 18.13 x 40.38
9. 968383-9	Panel, 12.63 x 25.75
10. 968383-11	Panel, 2.25 x 3
11. *968383-37	Panel, 6.56 x 26
12. 372284	Glass door, 18.5 x 9.8
13. 200773	Closeout, Reading light
382308	Bracket, 135°
381654	Hinge, Glass door, Black
381653	Glass catch
381707	Glass strike/pull
382057	Knockdown, 8mm
382057-04	Cap, Knockdown, White
115134	Extrusion, Laminate trim
365340-01	Edgebanding, .63", Frosty White
365411-02	Edgebanding, .94", Steel Mesh
203440	T-molding, Black embossed, .8125
203445	T-molding, .5, Black
704257	Bungee kit, 22"
382052	Spice rack
382454	Foam, Microwave stabilizer

*968383-37 added starting serial #203855

2018 BASECAMP FURNITURE, GALLEY

End Cabinet, CS, Crisp Linen



Parts Listed on Next Page

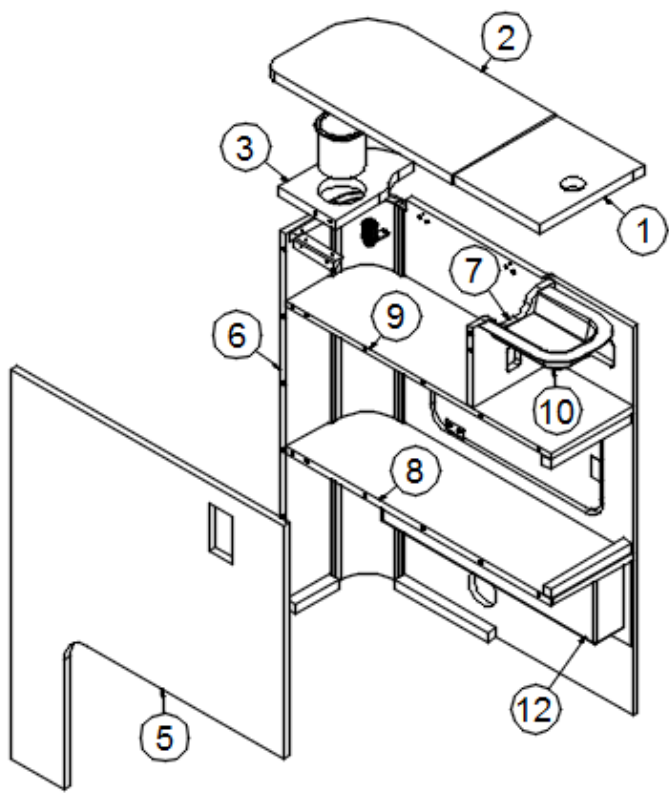
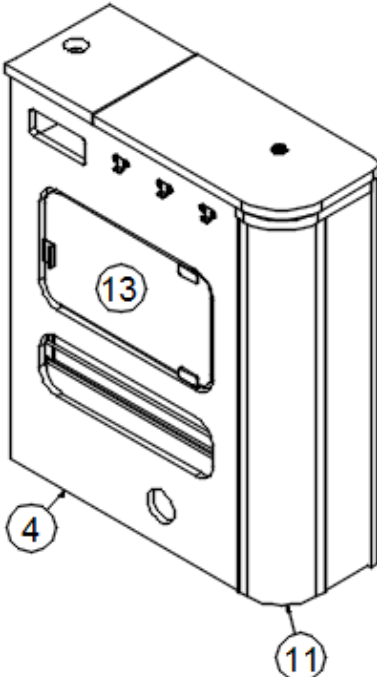
2018 BASECAMP FURNITURE, GALLEY

End Cabinet, CS, Crisp Linen

968413-32	CS End Cabinet
1. 968413-321	Panel, 9 x 7.59
2. 968413-322	Panel, 9 x 16.38
3. 968413-323	Panel, 7.75 x 5
4. 968413-4	Panel, 20.53 x 29.25
5. 968413-5	Panel, 23.66 x 29.25
6. 968413-6	Panel, 4.5 x 28.25
7. 968413-7	Panel, 6 x 7
8. 968413-8	Panel, 23.13 x 7
9. 968413-9	Panel, 23.06 x 7
10. 200773	Closeout, Reading light
11. 115682	Extrusion, 3" radius corner
12. 203384-01	Spice rack
13. 372285	Glass door, 14.5 x 8.31
381654	Hinge, Glass door, Black
381707	Glass strike/pull
386279	Corner brace
382152	Hook, Hammock, Stainless Steel
203196	Cup holder, 3", Black
382238	Hinge, Compact
381209-01	Grommet w/cap, Black
365340-01	Edgebanding, .63", Frosty White
365395-02	Edgebanding, .94", Crisp Linen
203440	T-molding, Black embossed, .8125
203710	T-molding, Almond
704258	Bungee kit, 17"
381912-01	Cam lock, Max latch 2.06, Keyed alike

2018 BASECAMP FURNITURE, GALLEY

End Cabinet, CS, Steel Mesh



Parts Listed on Next Page

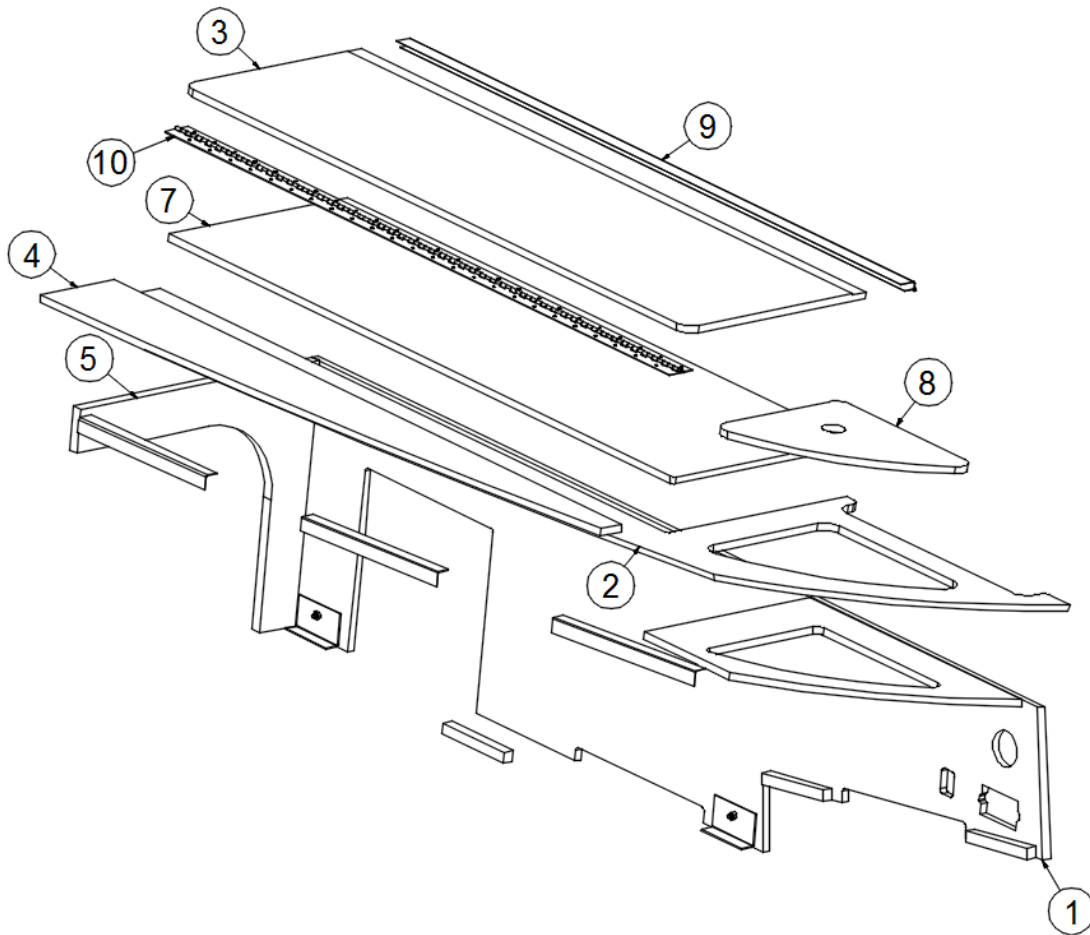
2018 BASECAMP FURNITURE, GALLEY

End Cabinet, CS, Steel Mesh

968413-33	CS End Cabinet
1. 968413-331	Panel, 9 x 7.59
2. 968413-332	Panel, 9 x 16.38
3. 968413-333	Panel, 7.75 x 5
4. 968413-4	Panel, 20.53 x 29.25
5. 968413-5	Panel, 23.66 x 29.25
6. 968413-6	Panel, 4.5 x 28.25
7. 968413-7	Panel, 6 x 7
8. 968413-8	Panel, 23.13 x 7
9. 968413-9	Panel, 23.06 x 7
10. 200773	Closeout, Reading light
11. 115682	Extrusion, 3" radius corner
12. 203384-01	Spice rack
13. 372285	Glass door, 14.5 x 8.31
381654	Hinge, Glass door, Black
381707	Glass strike/pull
386279	Corner brace
382152	Hook, Hammock, Stainless Steel
203196	Cup holder, 3", Black
382238	Hinge, Compact
381209-01	Grommet w/cap, Black
365340-01	Edgebanding, .63", Frosty White
365411-02	Edgebanding, .94", Steel Mesh
203440	T-molding, Black embossed, .8125
203710	T-molding, Almond
704258	Bungee kit, 17"
381912-01	Cam lock, Max latch 2.06, Keyed alike

2018 BASECAMP FURNITURE, LOUNGE

Dinette Seat, Roadside, Crisp Linen



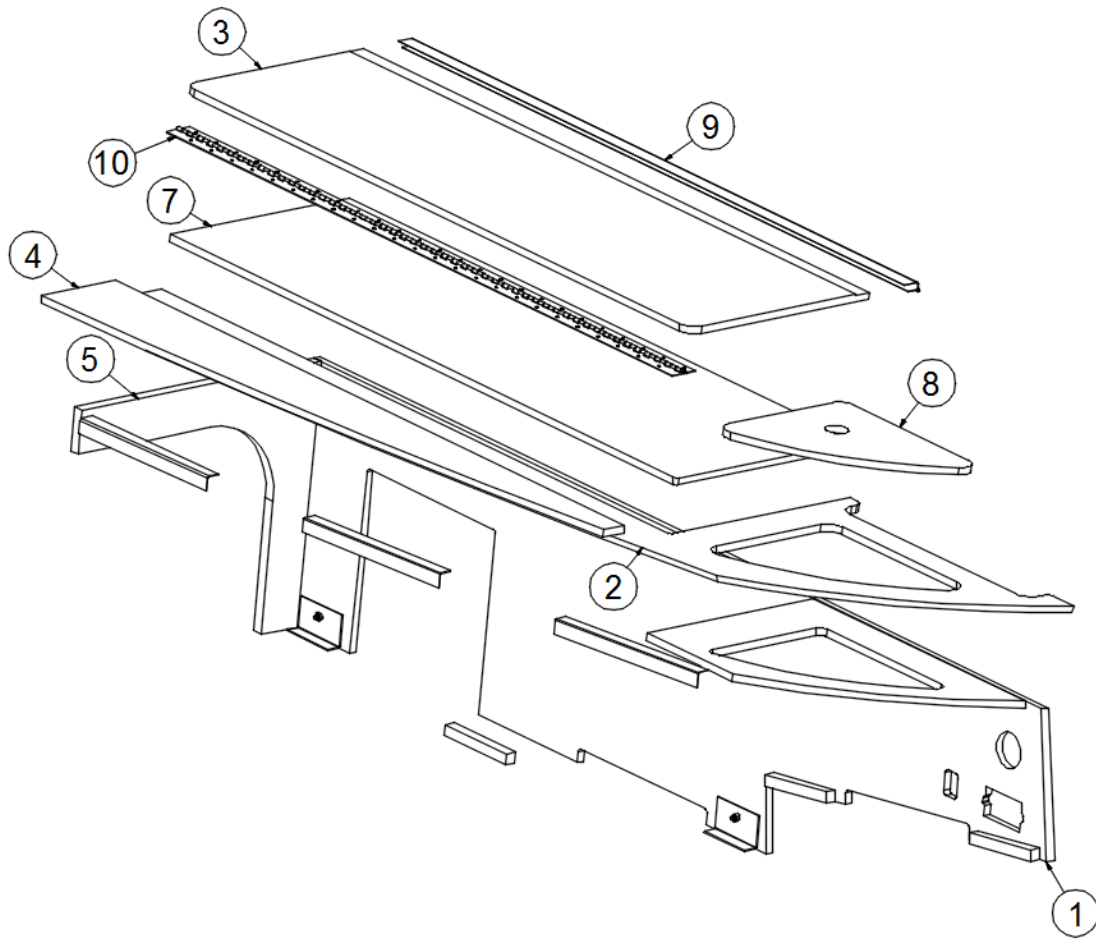
968406-32

RS Dinette Seat

- | | |
|---------------|---------------------------------|
| 1. 968406-1 | Panel, 18 x 74 |
| 2. 968406-2 | Panel, 22.89 x 72.07 |
| 3. 968406-3 | Panel, 15 x 49.75 |
| 4. 968406-4 | Panel, 6.5 x 50 |
| 5. 968406-325 | Panel, 18 x 20 |
| 6. 968406-6 | Panel, 14 x 21 |
| 7. 968406-7 | Panel, 15 x 49.75 |
| 8. 968406-8 | Panel, 13.25 x 10.75 |
| 9. 381847-02 | Piano hinge angle |
| 10. 380203-03 | Piano hinge, Anodized |
| 114812 | Aluminum angle, 1 x 1 x 12 |
| 381952 | Tie down loop, Single bolt |
| 115769 | Bracket, Tie down |
| 365340-01 | Edgebanding, .63", Frosty White |
| 365340-02 | Edgebanding, .94", Frosty White |

2018 BASECAMP FURNITURE, LOUNGE

Dinette Seat, Roadside, Steel Mesh



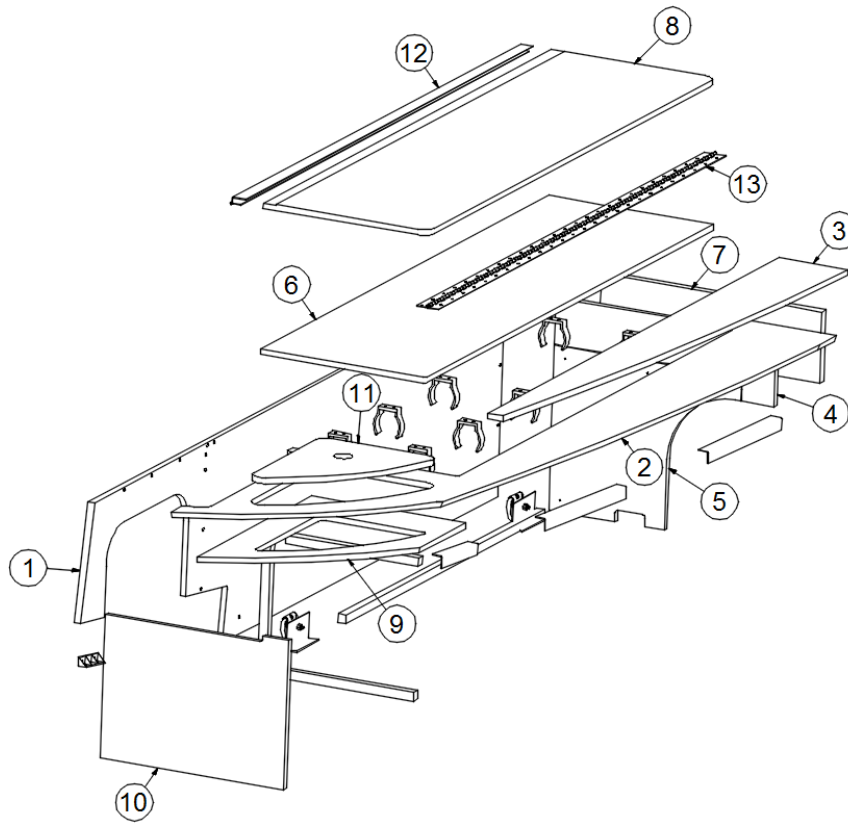
968406-33

RS Dinette Seat

- | | |
|---------------|---------------------------------|
| 1. 968406-1 | Panel, 18 x 74 |
| 2. 968406-2 | Panel, 22.89 x 72.07 |
| 3. 968406-3 | Panel, 15 x 49.75 |
| 4. 968406-4 | Panel, 6.5 x 50 |
| 5. 968406-335 | Panel, 18 x 20 |
| 6. 968406-6 | Panel, 14 x 21 |
| 7. 968406-7 | Panel, 15 x 49.75 |
| 8. 968406-8 | Panel, 13.25 x 10.75 |
| 9. 381847-02 | Piano hinge angle |
| 10. 380203-03 | Piano hinge, Anodized |
| 114812 | Aluminum angle, 1 x 1 x 12 |
| 381952 | Tie down loop, Single bolt |
| 115769 | Bracket, Tie down |
| 365340-01 | Edgebanding, .63", Frosty White |
| 365340-02 | Edgebanding, .94", Frosty White |

2018 BASECAMP FURNITURE, LOUNGE

Dinette Seat, Curbside, Crisp Linen



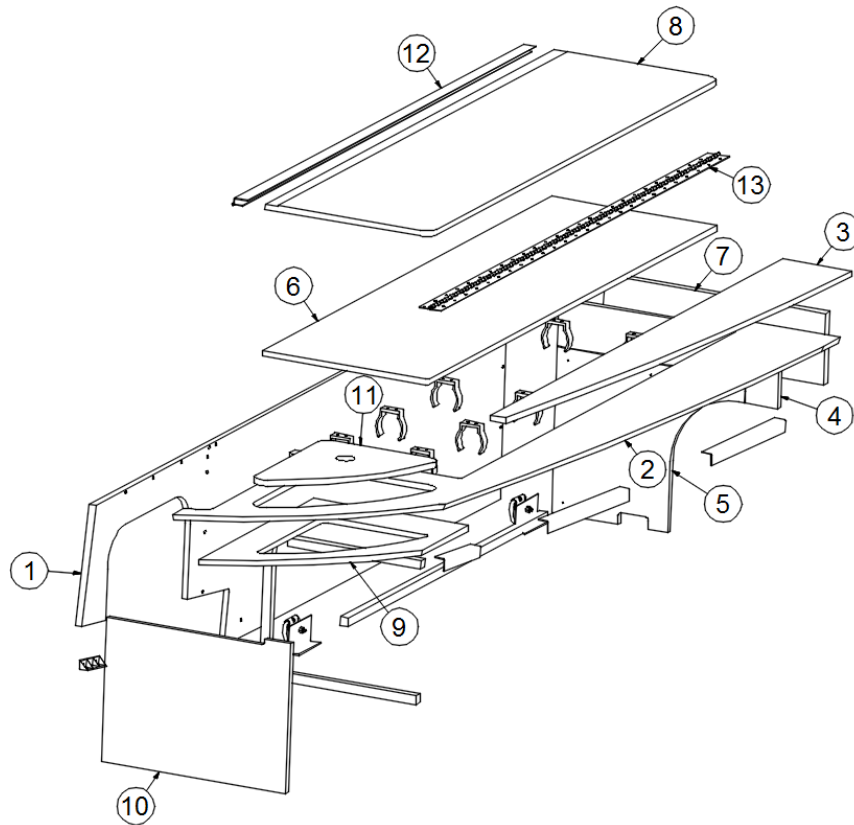
968407-32

CS Dinette Seat

- | | |
|---------------|--------------------------------|
| 1. 968407-1 | Panel, 18 x 77 |
| 2. 968407-2 | Panel, 22.89 x 72.19 |
| 3. 968407-3 | Panel, 6.5 x 53 |
| 4. 968407-4 | Panel, 20 x 6 |
| 5. 968407-5 | Panel, 17 x 14 |
| 6. 968407-6 | Panel, 15 x 52.25 |
| 7. 968407-327 | Panel, 18 x 20 |
| 8. 968407-8 | Panel, 15 x 52.25 |
| 9. 968407-9 | Panel, 14 x 21 |
| 10. 968407-10 | Panel, 12.63 x 16.63 |
| 11. 968407-11 | Panel, 13.25 x 10.75 |
| 12. 381847-02 | Piano hinge angle |
| 13. 380203-03 | Piano hinge, Anodized |
| 114812 | Aluminum angle, 1 x 1 |
| 386279 | Corner brace, 3.5" |
| 381952 | Tie down loop, Single bolt |
| 115769 | Bracket, Tie down |
| 382077 | Table post storage clip, 2.38" |

2018 BASECAMP FURNITURE, LOUNGE

Dinette Seat, Curbside, Steel Mesh



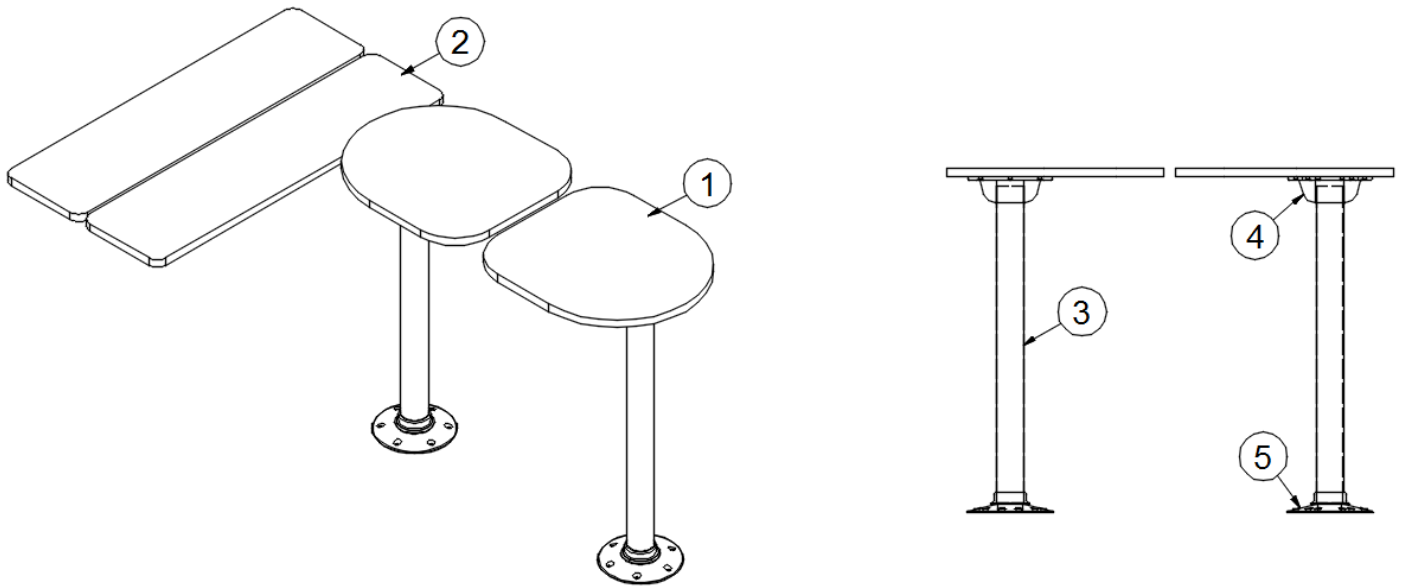
968407-33

CS Dinette Seat

- | | |
|---------------|--------------------------------|
| 1. 968407-1 | Panel, 18 x 77 |
| 2. 968407-2 | Panel, 22.89 x 72.19 |
| 3. 968407-3 | Panel, 6.5 x 53 |
| 4. 968407-4 | Panel, 20 x 6 |
| 5. 968407-5 | Panel, 17 x 14 |
| 6. 968407-6 | Panel, 15 x 52.25 |
| 7. 968407-337 | Panel, 18 x 20 |
| 8. 968407-8 | Panel, 15 x 52.25 |
| 9. 968407-9 | Panel, 14 x 21 |
| 10. 968407-10 | Panel, 12.63 x 16.63 |
| 11. 968407-11 | Panel, 13.25 x 10.75 |
| 12. 381847-02 | Piano hinge angle |
| 13. 380203-03 | Piano hinge, Anodized |
| 114812 | Aluminum angle, 1 x 1 |
| 386279 | Corner brace, 3.5" |
| 381952 | Tie down loop, Single bolt |
| 115769 | Bracket, Tie down |
| 382077 | Table post storage clip, 2.38" |

2018 BASECAMP FURNITURE, LOUNGE

Dinette Tables



968455-32
968455-33

Dinette Table, Crisp Linen
Dinette Table, Steel Mesh

- | | |
|---------------|----------------------------------|
| 1. 968455-321 | Panel, 16 x 18 |
| 968455-331 | Panel, 16 x 18 |
| 2. 968455-323 | Panel, 34 x 8.88 |
| 968455-333 | Panel, 34 x 8.88 |
| 3. 381974 | Pedestal leg, Thread lock, 29" |
| 381974-02 | Pedestal leg, Thread lock, 16.5" |
| 4. 381975 | Socket, Table |
| 5. 381976 | Socket, Floor |

Dinette Table Storage

- | | |
|--------|-------------------------------|
| 704270 | Kit, Dinette tabletop storage |
| 382365 | Plastic eyelets, Black |
| 704279 | Bungee w/hook, No tongue, 22" |

2018 BASECAMP HARDWARE

Main Door Latch with Deadbolt

382311	Main door latch w/deadbolt, Black
382311-01	Interior handle w/deadbolt, Black
382311-02	Door edge cover plate
382311-03	Handle mounting screws
382311-04	Door edge mounting screws
385595	Pocket strike, Main door

Rear Door Latch and Lock

382312	Cargo door latch
382312-01	Plunger Bolt
382312-03	Non-locking L-handle
115783	Rear door latch plate
381423-04	Strike plate
382327	Clamp, Actuator cable
382416	Rope, 316 SS wire, 1/16" Dia.

Interior Hinges

382238	Hinge, Compact blum, Steel Plated Nickel
381847-02	Piano hinge angle
380203-03	Piano hinge, Anodized
382306	Hinge, Glass door pivot set
381654	Hinge, Glass door, Black

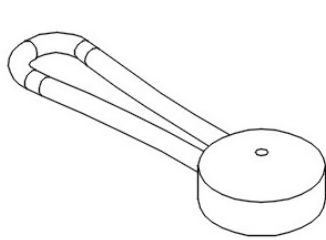
Exterior Hinges

382371	Hinge, Rear window
382065	Hinge, Rear door
380203-01	Piano hinge, 1/8 pin, Clear anodized
380203-02	Piano hinge, 1/8 pin, Black anodized
382451	Piano hinge, Painted at top
380988	Hinge, Continuous
115933	Hinge, LP lid, 24"
*115893	Hinge, LP lid, 17"

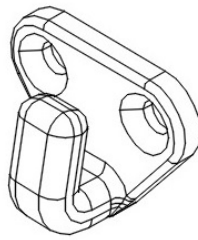
*Replaced by 115933 starting serial #203609

2018 BASECAMP HARDWARE

Exterior Latches and Handles



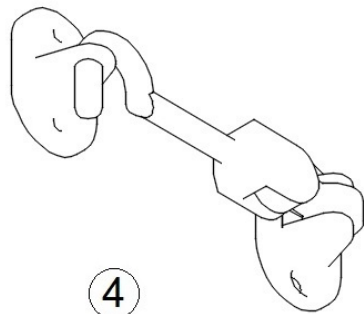
1



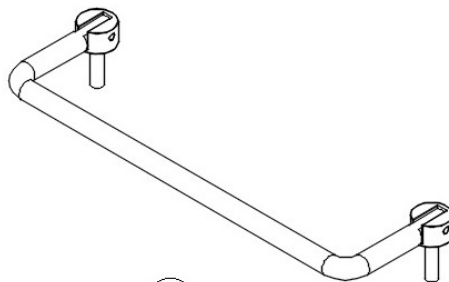
2



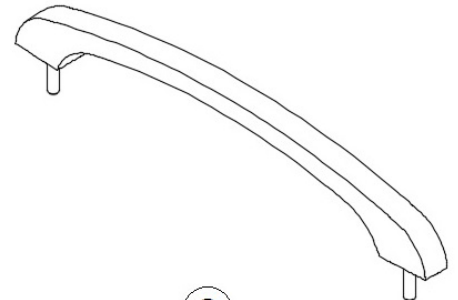
3



4



5



6

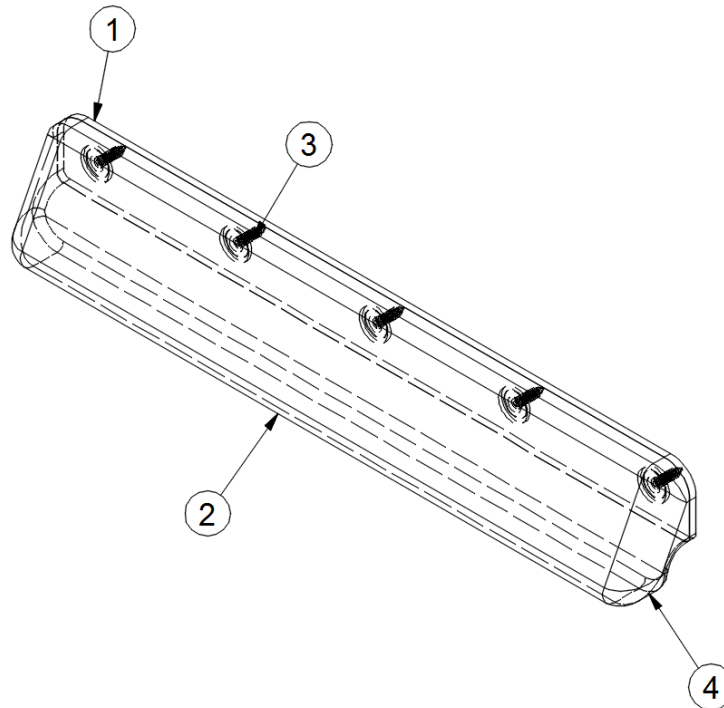
- | | |
|----------------|-------------------------------|
| 1. 99900P-1001 | Shock cord clip, Black |
| 2. 99900P-1002 | Shock cord hook, Black |
| 3. 601607-17 | Handle, Dump valve, Black |
| 4. 386314 | Main door stay |
| 5. 386318 | Folding Handle |
| 6. 101171-01 | Grab handle, Main door, Black |
| 340023-01 | Catch and strike, Zinc |

Interior Latches and Handles

- | | |
|-----------|-----------------------------------|
| 381707 | Strike w/pull, Glass door, Black |
| 382311-01 | Interior handle w/deadbolt, Black |
| 382312-03 | Non-locking L-handle |
| 382415 | Tapered Handle |
| 381653 | Latch, Single touch, Black |
| 382388 | Latch, Rear window |
| 455175-01 | Bracket, CS window latch |
| 455175-02 | Bracket, RS window latch |
| 382239 | Latch, Shower door |
| 381737-02 | Handle, Assist, Molded, Black |

2018 BASECAMP HARDWARE

Head knocker



998234 Head Knocker

- 1. 802149 Head knocker backer board
- 2. 704326 Head knocker foam
- 3. 382062 Fastener, Finned
- 4. 704322 Sunbrella sail cloth shade

Bathroom Accessories

- 602284 Towel bar, 18", Polished Stainless Steel
- 381834 Hook, Aluminum
- 602175 Holder, Dryroll toilet roll, White
- 704272 Shower caddy
- 371455 Mirror, Exterior of bath door
- 371456 Mirror, Interior of bath door

Clothesline

- 382063 Clothesline, Retractable

2018 BASECAMP HARDWARE

Rivets

325000-01	Rivet, 1/8", 1/4" length anodized Clear
325004-01	Rivet, 1/8", length .5", anodized Clear
330139-01	Rivet, Magnalok, 1/4", SS
330152	Rivet, 1/8" Aluminum w/Steel Mandrel
330038	Rivet, Blind AD 54 ABS-LF
330034	Rivet, Pop AD68
330126-03	Rivet, Pop, SSD44SSBS
330127-02	Rivet, 1/8, AD42ABS
330127-04	Rivet, 1/8, AD44ABS
330127-05	Rivet, 1/8, AD45ABS

Screws

320192	Screw, 18-8, .75", Keder rail install
345558	Screw, #8-32 x .5, PH, Black, Windows
345073-08	Screw, .25-20 x 1.375, Phil, Wafer HD, Floor
320159	Screw, M6 x 45mm, Self-drilling w/wings, Floor
320029-01	Screw, #8 x .5 PPH, Type A, SS, Tail light install
300176	Screw, 8/32 x .75, FH PH, SS, Tail light install

2018 BASECAMP SAFETY EQUIPMENT

Detectors and Fire Extinguishers

510781	Smoke detector
512539-01	LP detector, 12V, Black
600162-01	Fire extinguisher
600162-02	Fire extinguisher, CSA
512783	Detector, Carbon Monoxide (BRK)

2018 BASECAMP LABELS AND TAGS

Labels and Tags

385560	Label, Air Conditioner Rating
385020	Sticker, Self-Adhering, Jack
386298	Label, Microwave Circuit Rating
386019	Label, 1 amp fuse max

2018 BASECAMP PLUMBING, LPG SYSTEM

LP Tank and Regulator

601781	LP tank, 20#, Steel
602332-08	Cavanaugh gas regulator w/two 11" pigtails
602332-02	Black pan
602332-05	LP hose, 48"
602332-06	Hold down, Regulator
602332-07	Z-bracket for regulator
381613	Cover, LP wing handle
602109-03	LP dust plug port

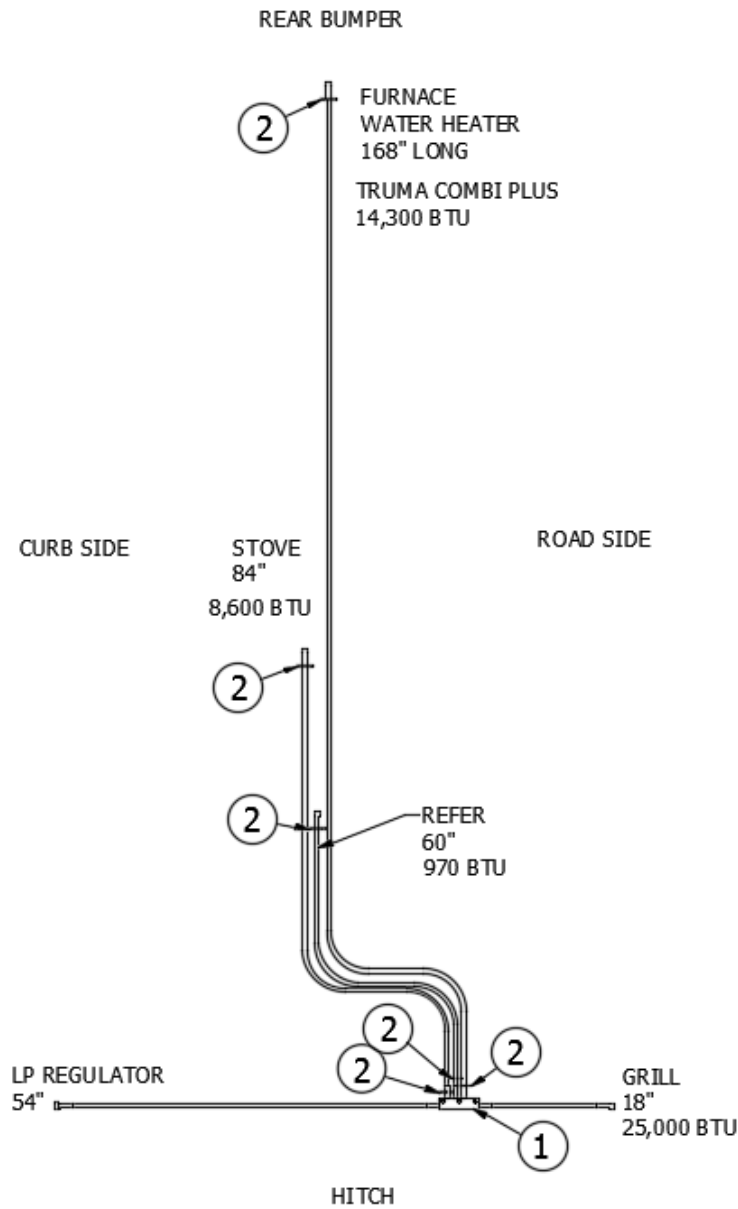
LP Tank Cover

112332	Kit, Complete LP cover
203860	LP lid
203861	LP tray
203856	LP shroud body
115766	Z-clip, Extrusion
99900P-1002	Shock cord hook, Black
99900P-1001	Shock cord clip, Black
115809	LP logo wrap
386255-01	Airstream curved lettering
115933	Hinge, LP lid, 24"
*115893	Hinge, LP lid, 17"
115867	LP lid hinge stiffener

*Replaced by 115933 starting serial #203609

2018 BASECAMP PLUMBING, LPG SYSTEM

LPG System

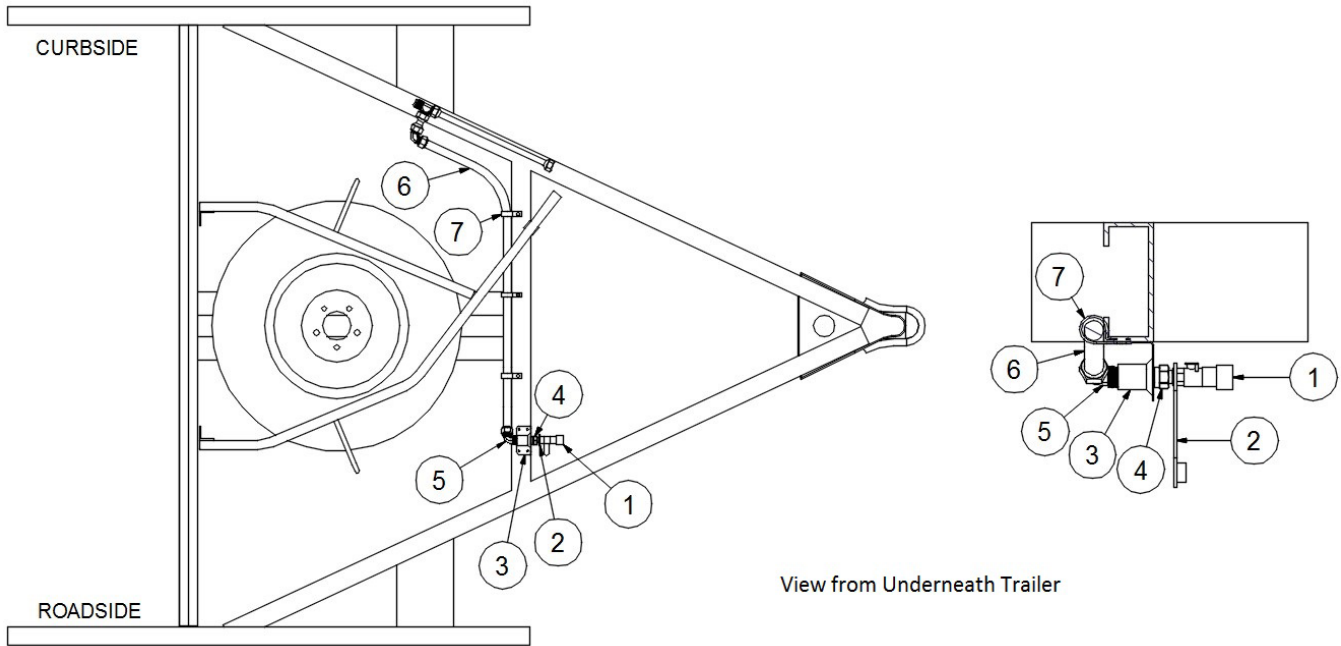


943840-01 LPG System Layout

- | | |
|--|---|
| <ul style="list-style-type: none"> 1. 943840 2. 382556 601781 602332-08 345181 381332-16 | <ul style="list-style-type: none"> LP flex hose LP closeout LP tank, 20#, Steel Cavanaugh gas regulator w/two 11" pigtails Screw, 1/4-14 x 2", Self tapping Star washer |
|--|---|

2018 BASECAMP PLUMBING, LPG SYSTEM

Propane Port, Exterior



112008

Exterior Propane Port

- | | |
|--------------|-----------------------------------|
| 1. 602109-01 | Coupler, Quick disconnect |
| 2. 602109-03 | Dust plug |
| 3. 454901 | Bracket, LP quick disconnect port |
| 4. 602286 | Nipple, .5" MNPT x 1/4" MNPT |
| 5. 602313 | Fitting, .5" MPT x .5" FLR, 90° |
| 6. 602315 | LP Hose, .5" FLR SWV, 36" |
| 7. 340085-07 | Clamp, Loop, Steel w/rub, 1" |
| 201267-11 | Conduit, Convolute, 1" |
| 386250 | Label, LPG Service Port |

2018 BASECAMP

PLUMBING, FRESH WATER SYSTEM

Faucet, Galley

602197 Sink w/faucet, SMEV
601813 Lift & turn drain

Faucet, Shower

601358 Shower hand unit, Chrome
604877-01 Shower valve

City Water Hook-Up

601392-06 City water fill, 50 PSI, Chrome
601392-01 Plastic screw-in cap
601392-02 Strap

Fresh Water Tank Fill

601194 Water fill w/lock, Gray
601194-02 Cap, cable, & spout
601239-01 Tubing, 1.375" ID, Flexible, Water fill hose

Water Pump

*602328 Shurflow water pump
602307 Shurflo water pump, 3 GPM
601668-01 Strainer, Water pump

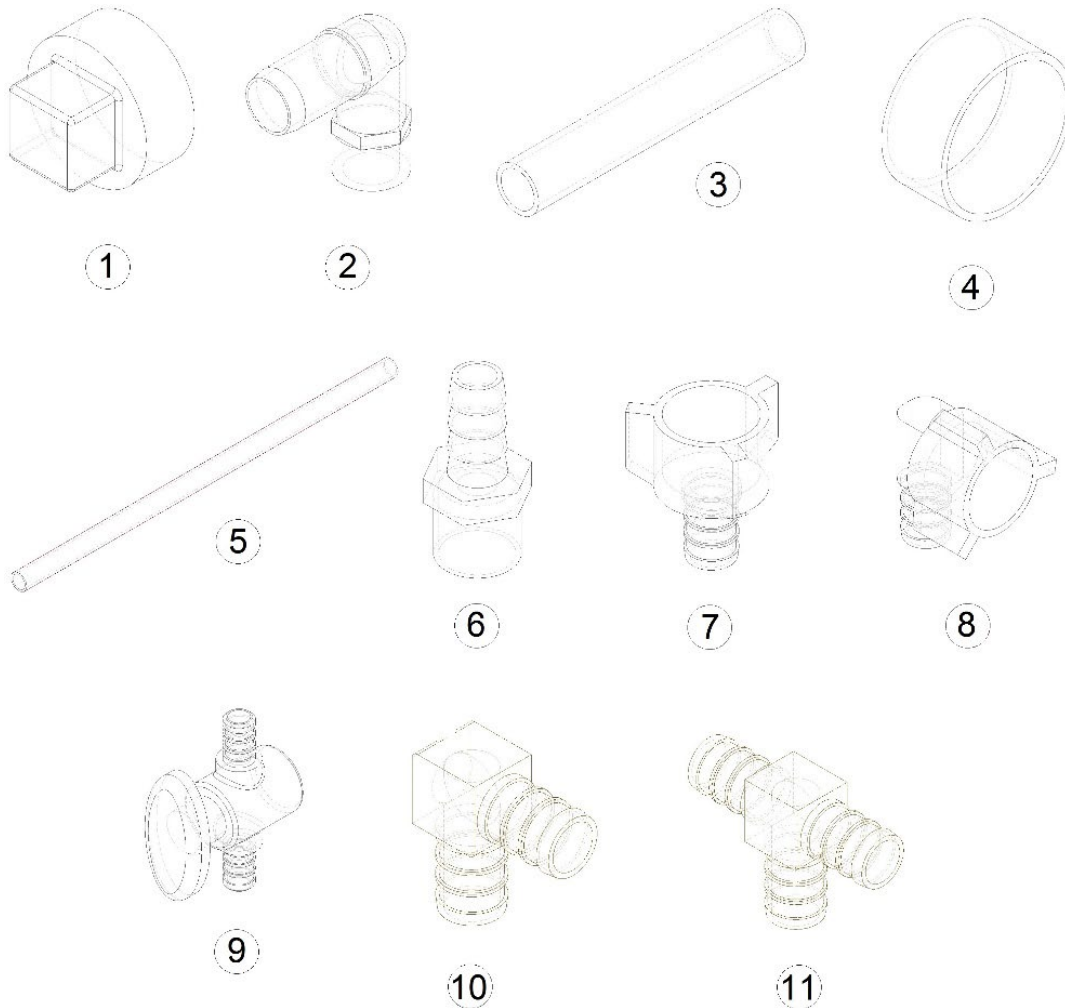
*Replaced by 602307 starting Serial #203606.

Fresh Water Tank

602538 Fresh water tank
455052 Tank pan, Fresh water
601243 Drain cock
340301 Worm clamp, Dual bead
200152 Styrofoam, .5 x 6 x 42
200507 Styrofoam, 1 x 25 x 55
511780 Tank heating pad

2018 BASECAMP PLUMBING, FRESH WATER SYSTEM

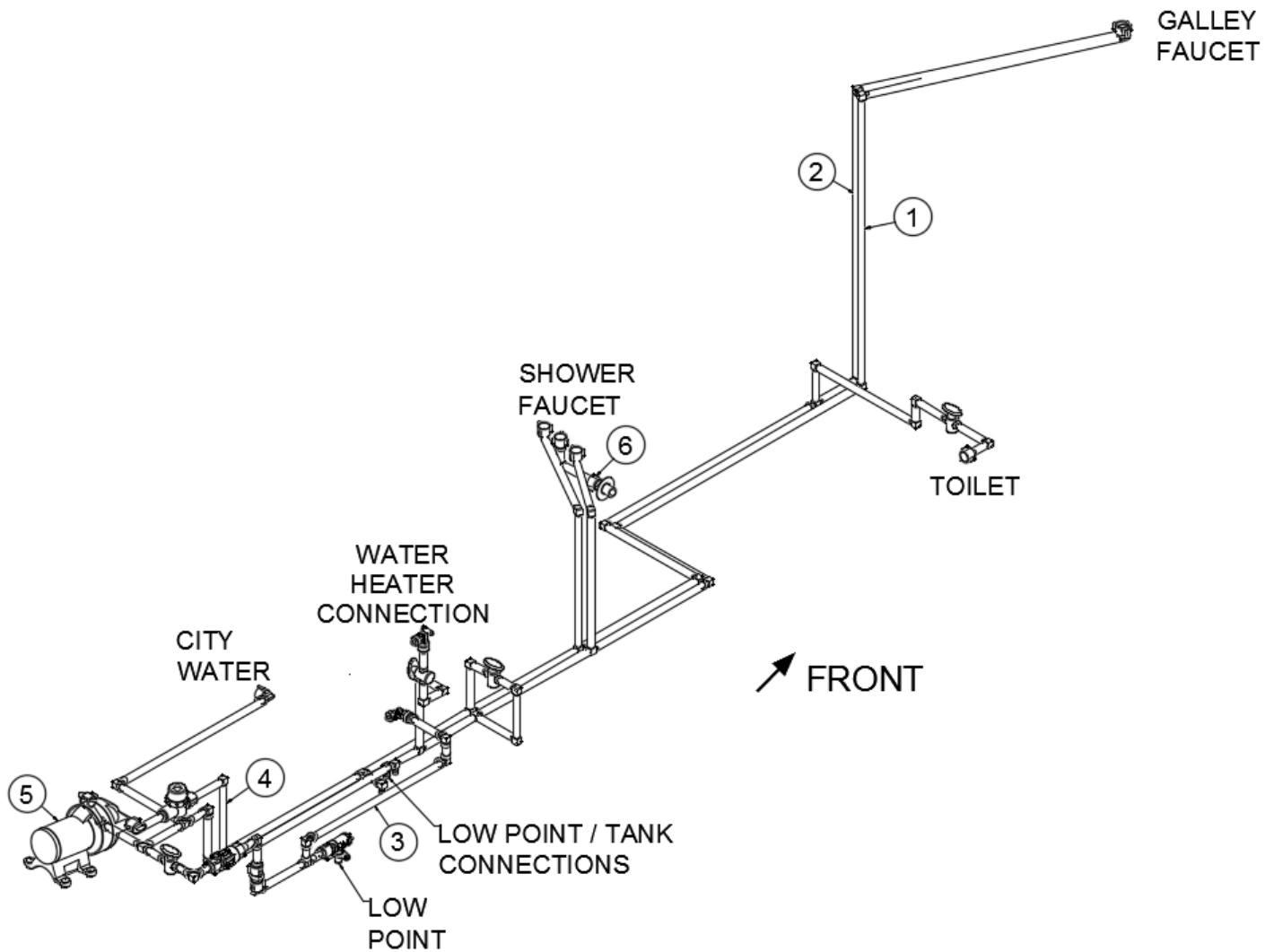
Fresh Water Fittings



- | | |
|---------------|--|
| 1. 600155 | Cleanout plug, 1.5" |
| 2. 601237 | Elbow, 90°, 1.25" MPT x 1.25" Bar |
| 3. 601698-01 | E-Pex tube, .5" |
| 4. 601698-15 | Crimp ring, .5" E-Pex, .5", Black |
| 5. 601698-21 | E-Pex tube, .5", Red |
| 6. 602256-02 | Coupler, .5" barb x .5" MPT |
| 7. 602256-03 | Coupler, .5" barb x .5" FPT |
| 8. 602256-05 | Elbow, .5" barb x .5" FPT |
| 9. 602256-22 | Valve, .5" barb x .5" barb straight, Black Pex |
| 10. 602256-10 | Elbow, .5" barb x .5" barb |
| 11. 602256-11 | Tee, .5" x .5" x .5" |
| 601004 | Coupling, .5" barb x 3/8" MPT |
| 300124 | Zinc washer |
| 601239-01 | Tubing, 1.375 ID, w/flats every 9" |
| 602185-01 | Drain valve, 90° |

2018 BASECAMP PLUMBING, FRESH WATER SYSTEM

Fresh Water Lines



943812 Fresh Water Layout

- | | |
|-------------|---------------------|
| 1. 943812-1 | RS hot |
| 2. 943812-2 | RS forward cold |
| 3. 943812-7 | RS aft cold |
| *943812-3 | RS aft cold |
| 4. 943812-4 | Pump feed |
| 5. **602307 | Shurflow water pump |
| 6. 943812-5 | Shower valve |
| 7. 943812-6 | Truma Bypass |

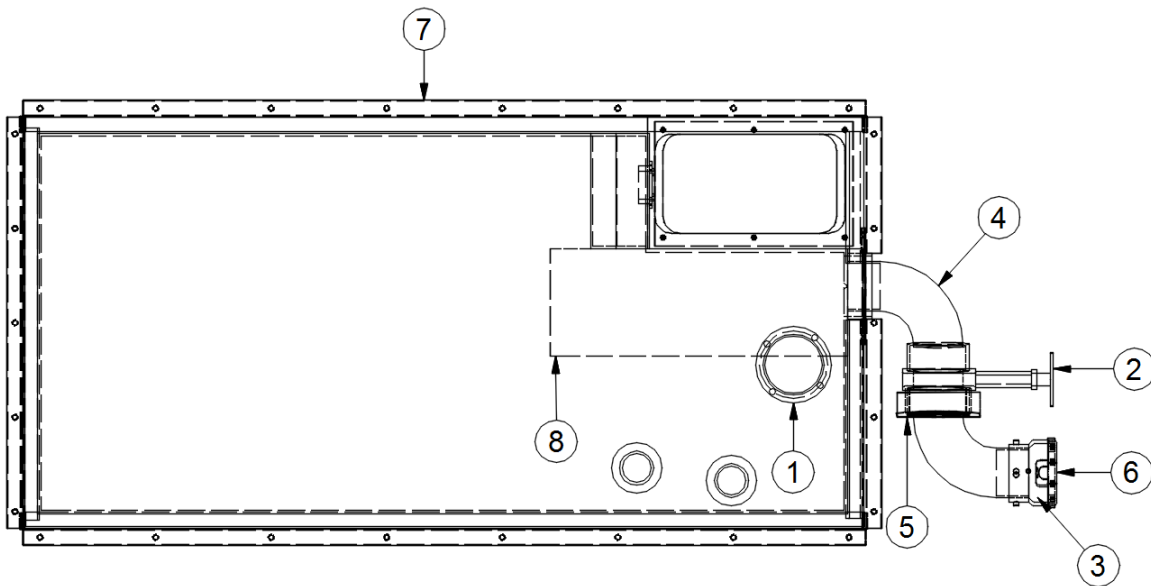
*943812-3 replaced by 943812-7 on units released after October 25, 2017
 **Replaced 602328 water pump on July 12, 2017

2018 BASECAMP PLUMBING, DRAIN SYSTEM

Sink and Shower

602197	Galley sink w/faucet, SMEV
601813	Tail piece, Lift and turn drain
203829	Shower pan
600594-02	Shower drain w/Black strainer

Black and Grey Tank



112314 Black and Gray Tank Install

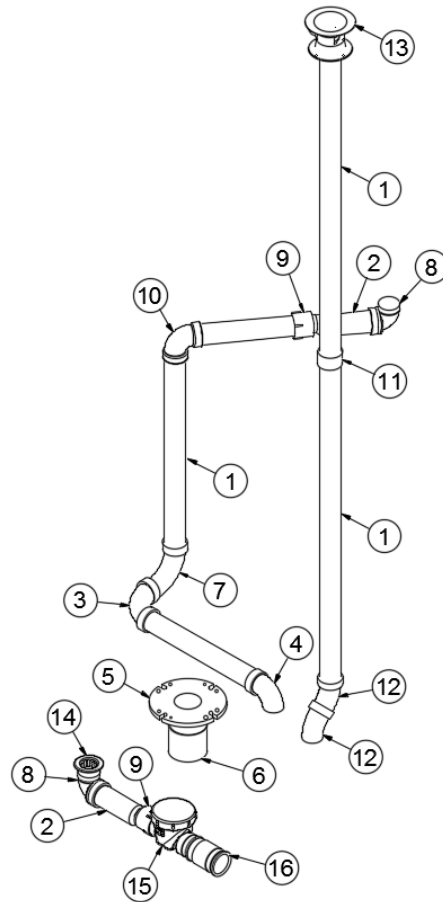
*602539	Black and Grey tank combo
1. 602725	Black and Gray tank combo
2. 601607-14	Dump valve, Rotating
3. 601607-06	Termination adaptor, 3" HUB x 3" BAY
4. 600820	Single socket, 3", 90°
5. 115852	Dump valve bracket, Lower
6. 601607-07	Termination cap, 3" BAY
7. 455051	Tank pan, Grey tank
8. 511780	Tank heating pad
**455057	Access panel, Grey tank pan
115945	Access panel, Black/Gray tank
455056	Closeout, Grey tank pan
200507	Styrofoam, 1" x 25" x 55", Water Tight
513168	Monitor, Tank system kit (Seelevel)

*Replaced by 602725 in July 2017

**Replaced by 115945 in July 2017

2018 BASECAMP PLUMBING, DRAIN SYSTEM

Drain System



943811

Drainage System

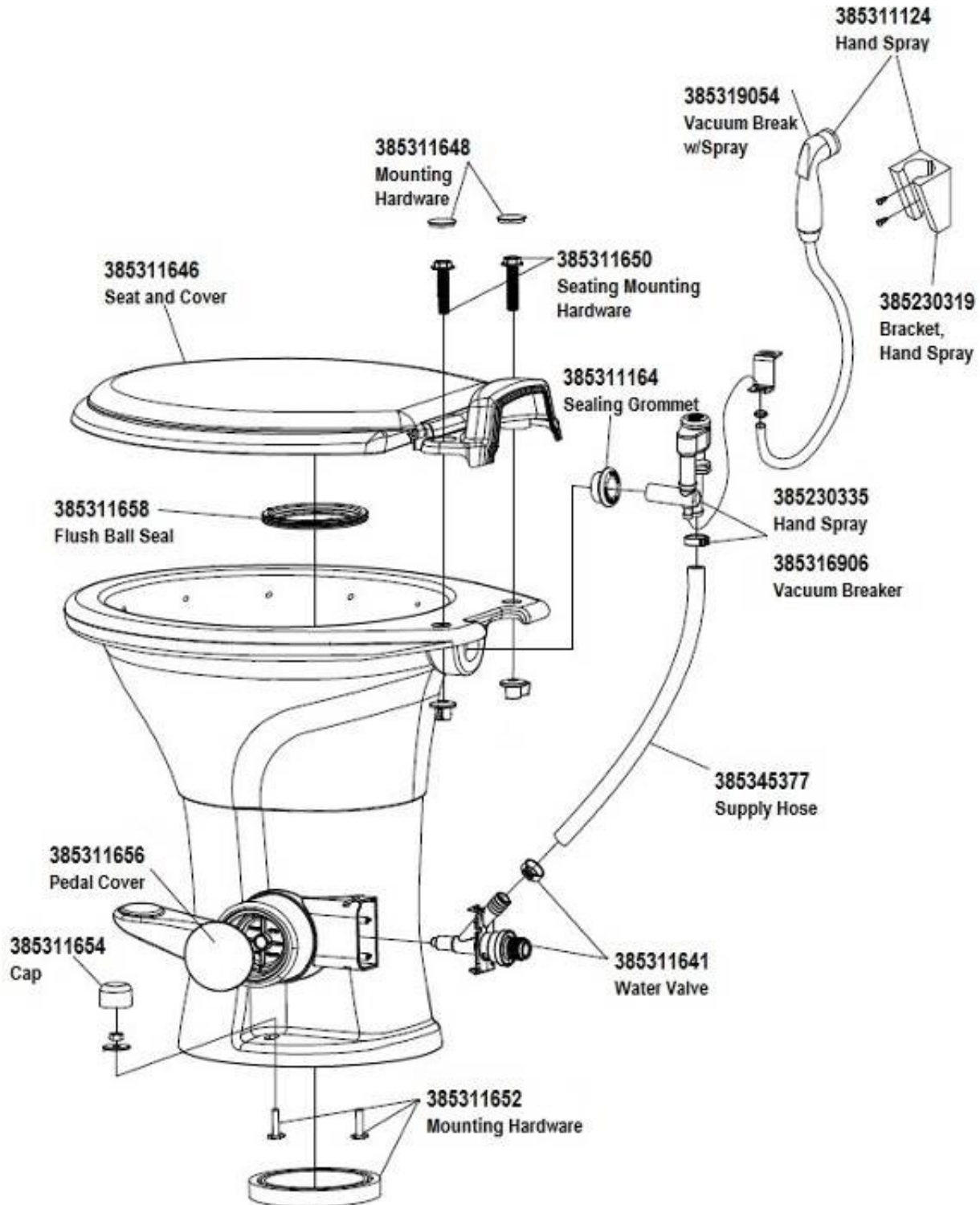
- | | | |
|-----|-----------|--------------------------------|
| 1. | 601160-02 | Pipe, ABS DVW, 1.5" |
| 2. | 690603-01 | Waste valve, Hepvo |
| 3. | 600035 | Elbow, 90°, ABS long sweep |
| 4. | 600662 | Elbow, 90°, Short St. |
| 5. | 601266 | Flange closet, 3 x 4, Slip fit |
| 6. | 601267-04 | Nipple, Threaded one end, 10" |
| 7. | 600431 | Elbow, 90°, ABS, Street |
| 8. | 690603-02 | Adapter, Angled, Hepvo |
| 9. | 600308 | Adapter, ABS female |
| 10. | 601636 | Elbow, 90°, Short sweep |
| 11. | 600227 | Coupling, 1.5" |
| 12. | 600027 | Elbow, 45°, ABS long St. |
| 13. | 690700-01 | Cover, Vent cap, White |
| 14. | 600594-02 | Drain, Shower with strainer |
| 15. | 602720 | Sanitary check valve, 1.5" |
| 16. | 602201 | Coupling, Flexible, 1.5" |

2018 BASECAMP PLUMBING, DRAIN SYSTEM

Toilet

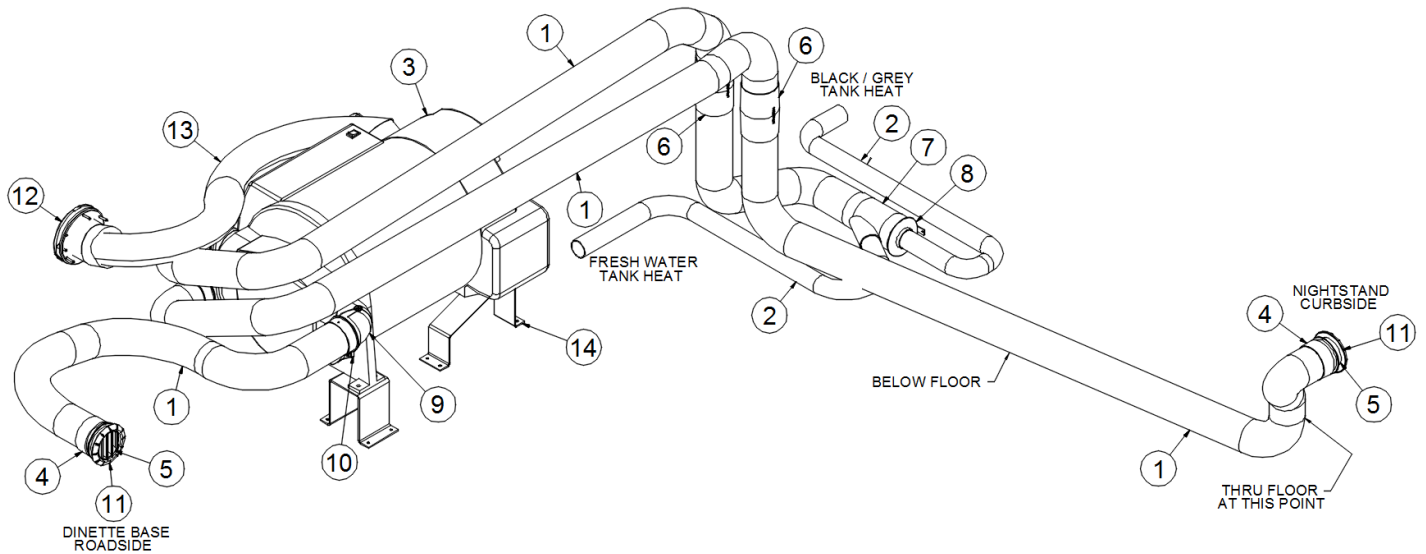
690621
601266

Toilet, China, Dometic
Toilet flange, Slip fit



2018 BASECAMP PLUMBING, HEATING SYSTEM

Heat System



943813

Heat System

- | | |
|----------------|-----------------------------|
| 1. 690704-06 | Truma duct, 65mm |
| 2. 690704-07 | Truma duct, 35mm |
| 3. 690705 | Truma Combi Eco Plus |
| 4. 690704-09 | End outlet nut |
| 5. 690704-10 | End outlet, Black |
| 6. 690704-11 | Straight coupling |
| 7. 690704-12 | Branch wye, 35mm |
| 8. 690704-13 | Reducer, 35mm |
| 9. 690704-14 | Elbow, 90° |
| 10. 690704-15 | Blank cover |
| 11. 690704-18 | Lamella insert, Black |
| 12. *690704-03 | Wall, Cowl |
| 690704-26 | Cowl-Wall Inner |
| 690704-27 | Cowl-Wall Outer Part Black |
| 13. 690704-04 | Air supply tube, 80mm |
| 14. 455132 | Support brackets |
| 690704-05 | Exhaust duct, 55mm |
| 690704-08 | Duct insulation sleeve, 10' |
| 690704-2400 | Cover, CP Plus |

*690704-03 Separated into 2 parts, 690704-26 Inner Cowl and 690704-27 Outer Cowl, August 2018

2018 BASECAMP SEALERS, GASKETS

Sealers

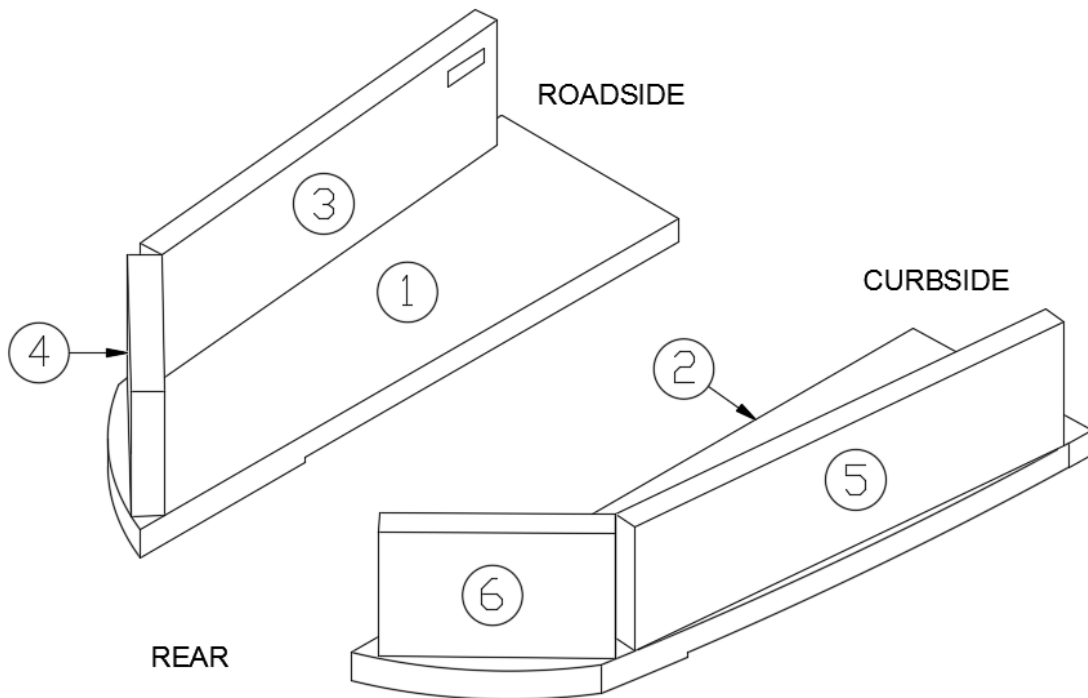
360255-04	Sealer, Anti-wick
360001	Sealant, Butyl
365330-01	Sealant, Adseal, White
365330-02	Sealant, Adseal, Grey
365330-03	Sealant, Adseal, Aluminum Grey
365330-04	Sealant, Adseal, Black
28433W	Walbernize Super Seal
28430W-01	Sealant, Acryl-R, Gray, 16 oz. can

Gaskets

381665	Gasket, D-seal, Black
382337	Gasket, Corlon vent cap
382262	Gasket, Water heater
365001	Tape, double coated foam
685510	Seam tape, Black 1/32" x 7/8" x 200
365222	Tape double coated, .08 x .75"
382499	Gasket kit
382499-01	Exhaust fan gasket
382499-02	Exterior shower gasket
382499-03	Gravity water fill
382499-04	Receptacle gasket
382499-05	City water fill gasket
382499-06	Battery vent gasket
382499-07	Rear door hinge gasket
203594-04	Ceiling trim, Black
382552	Battery Box Lid Gasket

2018 BASECAMP UPHOLSTERY, ULTRALEATHER

Dinette Seat Cushions



704249-01
704249-02
704250
704248

Dinette Cushion Kit, River Rock, Simtex Carbon
Dinette Cushion Kit, Warm Stone, Simtexit Taupe
Dinette Cushion Kit, Red Rock, Simtex Carbon
Foam Kit

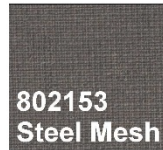
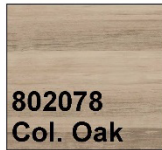
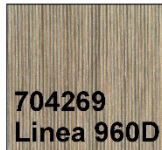
1. 704249-01-101
704249-02-101
704248-01
2. 704249-01-102
704249-02-102
704248-02
3. 704249-01-103
704249-02-103
704248-03
4. 704249-01-104
704249-02-104
704248-04
5. 704249-01-105
704249-02-105
704248-05
6. 704249-01-106
704249-02-106
704248-04

RS seat cushion
RS seat cushion
Foam, RS seat
CS seat cushion
CS seat cushion
Foam, CS seat
RS backrest cushion
RS backrest cushion
Foam, RS backrest
RS rear backrest cushion
RS rear backrest cushion
Foam, Rear backrest
CS backrest cushion
CS backrest cushion
Foam, CS backrest
CS rear backrest cushion
CS rear backrest cushion
Foam, Rear backrest

2018 BASECAMP UPHOLSTERY, ULTRALEATHER

Décor Boards

* DENOTES ITEMS THAT CHANGE



FLOORING: 704269, Beau, Linea 960D

MAIN LAMINATE (ON CABINETS FACES AND BENCH FACE): 802078, Colosseum Oak Pearl

*SECONDARY LAMINATE (ON BATHROOM WALLS AND COUNTERTOPS): 802153, Wilsonart Steel Mesh

*EDGE BAND FOR SECONDARY LAMINATE: 365411, 1mm Steel Mesh

*T-MOULDING FOR SECONDARY LAMINATE: 203942, Outerwater, 105-658-243

*BATHROOM DOOR WITH SECONDARY LAMINATE: 382307-01

FOAM KIT: 704248

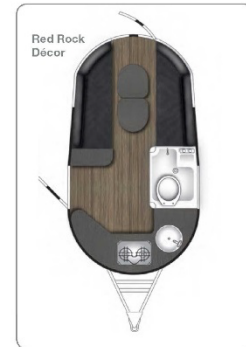
*CUSHION FABRIC(S): 704235, Simtex Carbon and 704268, Simtex Reef

*CUSHION DESIGN: 704250, STITCH COLOR: Red with quilt detail

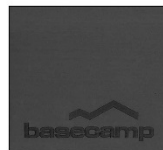
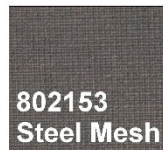
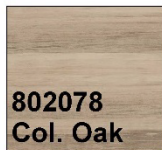
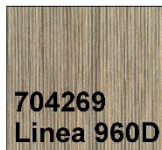
*OVERHEAD STORAGE POLE: 115754-02 (Red)

WINDOW COVERING FABRICS: 704322, Sunbrella Sailcloth, Shade 325

*WINDOW COVERING ZIPPER PULLS: 704325-02 (Red)



RED ROCK



FLOORING: 704269, Beau, Linea 960D

MAIN LAMINATE (ON CABINETS FACES AND BENCH FACE): 802078, Colosseum Oak Pearl

*SECONDARY LAMINATE (ON BATHROOM WALLS AND COUNTERTOPS): 802153, Wilsonart Steel Mesh

*EDGE BAND FOR SECONDARY LAMINATE: 365411, 1mm Steel Mesh

*T-MOULDING FOR SECONDARY LAMINATE: 203942, Outerwater, Storm Gray, 105-658-243

*BATHROOM DOOR WITH SECONDARY LAMINATE: 382307-01

FOAM KIT: 704248

*CUSHION FABRIC(S): 704235, Simtex Carbon

*CUSHION DESIGN: 704249-01, STITCH COLOR: Charcoal

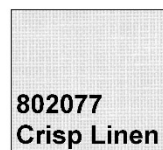
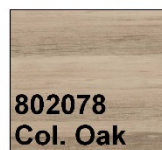
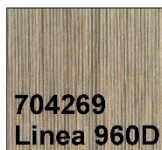
*OVERHEAD STORAGE POLE: 115754-01 (Silver)

WINDOW COVERING FABRICS: 704322, Sunbrella Sailcloth, Shade 325

*WINDOW COVERING ZIPPER PULLS: 704325-01 (Black)



RIVER ROCK



FLOORING: 704269, Beau, Linea 960D

MAIN LAMINATE (ON CABINETS FACES AND BENCH FACE): 802078, Colosseum Oak Pearl

*SECONDARY LAMINATE (ON BATHROOM WALLS AND COUNTERTOPS): 802077, Wilsonart Crisp Linen

*EDGE BAND FOR SECONDARY LAMINATE: 365395, 1mm W4942 Crisp Linen

*T-MOULDING FOR SECONDARY LAMINATE: 203941-01, Outwater, Putty Gray, 105-650-175

*BATHROOM DOOR WITH SECONDARY LAMINATE: 382307-02

FOAM KIT: 704248

*CUSHION FABRIC(S): 704234, Simtex Taupe

*CUSHION DESIGN: 704249-02, STITCH COLOR: Tan

*OVERHEAD STORAGE POLE: 115754-01 (Silver)

WINDOW COVERING FABRICS: 704322, Sunbrella Sailcloth, Shade 325

*WINDOW COVERING ZIPPER PULLS: 704325-01 (Black)



WARM STONE

AIRSTREAM

KMP - 9/14/16

2018 BASECAMP VENTS, FANS

Vent, Battery

203638-01	Vent, Cone, White
203638-02	Grille, White
382499-06	Battery vent gasket

Vent, Black Tank

690700-01	Vent pipe cover, White
382337	Gasket, Corlon, Vent Cap

Vent, Refrigerator

690470-01	Vent, Side wall
203876	Refrigerator vent shroud, Black
115885	Vent backer plate
115924	Insert side backer plate
203875	Front vent trim ring
382372	Gasket, Refrigerator vent

Vent, Roof

690266-01	Power ventilator w/2" garnish
690266-07	Trim ring, White
690266-08	Trim ring, Silver

Exhaust Fan

512538-01	Vent, Exhaust only, Manual, Grey
382499-01	Exhaust fan gasket

2018 BASECAMP

PANELING, EDGEBANDING, LAUAN

Paneling

802153	Laminate, Horizontal, Steel Mesh
802153-01	Laminate, Vertical, Steel Mesh
802077	Laminate, Horizontal, Velvet texture, Crisp Linen
802077-01	Laminate, Vertical, Velvet texture, Crisp Linen
802078-01	Laminate, Vertical, Colosseum Oak Pearl
801392	Pre-lam panel, 12mm, White liner/White Liner
802092	Pre-lam panel, 12mm, Colosseum Oak/White Liner
802095	Pre-lam panel, 12mm, Crisp Linen/Crisp Linen
802120	Pre-lam panel, 12mm, Colosseum Oak/Colosseum Oak
802155	Pre-lam panel, 12mm, Crisp Linen/Steel Mesh
802090	Pre-lam panel, 18mm, Crisp Linen/White Liner
802121	Pre-lam panel, 18mm, Colosseum Oak/White Liner
802154	Pre-lam panel, 18mm, Steel Mesh/White Liner
801809	Laminate, Vertical, White Liner

Edgebanding

365340-01	Edgebanding, PVC, 5/8", Frosty White
365340-02	Edgebanding, PVC, 15/16", Frosty White
365395-02	Edgebanding, .94", Crisp Linen
365411-02	Edgebanding, .94", Steel Mesh

Lauan

800507-02	Panel, Lauan, 1/4" x 4' x 8', raw/raw
-----------	---------------------------------------

Plywood

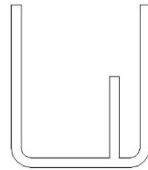
800506-06	Plywood, 3/4" x 4' x 8'
800506-05	Plywood, 5/8" x 4' x 8'
800976-01	Plywood, tongue and groove, 19/32' (floor)
801351	Plywood, Lite, 18MM (.75") 4' x 8'

2018 BASECAMP TRIMS

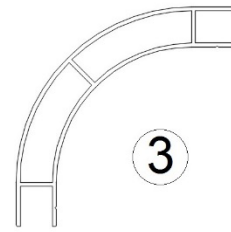
Trim



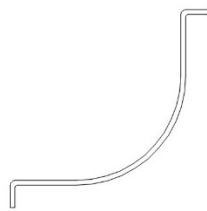
①



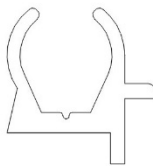
②



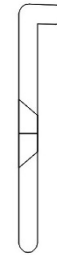
③



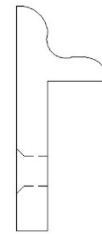
④



⑤



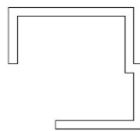
⑥



⑦



⑧



⑨



⑩

- | | |
|------------|-------------------------------------|
| 1. 115730 | C-extrusion, Interlocking |
| 2. 115665 | Door frame extrusion |
| 3. 115682 | Extrusion, 3" radius corner |
| 4. 115683 | Extrusion, 2" radius inside corner |
| 5. 115686 | Extrusion, Keder rail |
| 6. 115134 | Extrusion, Laminate trim |
| 7. 115064 | Trim, Aluminum counter top |
| 8. 203837 | Trim, PVC lower, Black |
| 9. 115734 | U-extrusion, Interlocking |
| 10. 115766 | Extrusion, Z-clip |
| 203445 | T-molding, 9/16", Black |
| 203440 | T-molding, Flexible plastic, Black |
| 203710 | T-molding, Flexible plastic, Almond |